

Use & Care Guide
Manual de Uso y Cuidado
Guide d'Utilisation et d'Entretien
English / Español / Français

Models/Modelos/Modèles: 630.7793*

Kenmore Elite®

Dishwasher

Lavadora de Platos

Lave Vaisselle

* = color number, número de color, le numéro de la couleur

P/N 9000538244 Rev. A
Sears Brands Management
Corporation, Hoffman Estates,
IL 60179 USA
www.kenmore.com
www.sears.com

Sears Canada Inc.
Toronto, Ontario, Canada M5B 2B8
www.sears.ca



TABLE OF CONTENTS

Important Safety Instructions.....	3-4
Dishwasher Components	5
Dishwasher Features.....	6
Dishware Materials.....	6
Loading the Dishwasher	7
Loading the Silverware.....	8
Rack Features and Accessories.....	9
Detergent.....	10
Rinse Aid.....	11
Dishwasher Cycles and Options	12-13
Operating the Dishwasher	14
Care and Maintenance.....	15-16
Troubleshooting	17-18
Warranty Information.....	19

PRODUCT RECORD

In the space below, record the date of purchase, model, and serial number of your product. You will find the model and serial number printed on an identification label inside the dishwasher. Have this information available whenever you contact Sears about your product.

Model No. _____

Date of Purchase _____

Serial No. _____

Save this information and your sales receipt for future reference!

PROTECTION AGREEMENTS

Master Protection Agreements

Congratulations on making a smart purchase. Your new Kenmore® product is designed and manufactured for years of dependable operation. But like all products, it may require preventive maintenance or repair from time to time. That's when having a Master Protection Agreement can save your money and aggravation. The Master Protection Agreement also helps extend the life of your new product. Here's what the Agreement* includes:

Parts and labor needed to help keep products operating properly under normal use, not just defects.

Our coverage goes well beyond the product warranty. No deductible, no functional failure excluded from coverage - real protection.

- Expert service by a force of more than 10,000 authorized Sears service technicians, which means someone you can trust will be working on your product.
- Unlimited service calls and nationwide service, as often as you want us, whenever you want us.
- "No-lemon" guarantee - replacement of your covered product if four or more product failures occur within twelve months.
- Product replacement if your covered product can't be fixed.
- Annual Preventive Maintenance Check at your request - no extra charge,
- Fast help by phone - we call it Rapid Resolution. Phone support from a Sears representative on all products, Think of us as a "talking owner's manual."
- Power surge protection against electrical damage due to power fluctuations.
- \$250 food loss protection annually for any food spoilage that is the result of mechanical failure of any covered refrigerator or freezer,
- Rental reimbursement if repair of your covered product takes longer than promised.
- 10% discount off the regular price of any non-covered repair service and related installed parts Once you purchase the Agreement, a simple phone call is all that it takes for you to schedule service. You can call anytime day or night or schedule a service appointment online.

The Master Protection Agreement is a risk-free purchase. If you cancel for any reason during the product warranty period, we will provide a full refund, or a prorated refund anytime after the product warranty period expires.

Purchase your Master Protection Agreement today!
Some limitations and exclusions apply.

For prices and additional information in the U.S.A. call 1-800-827-6655.

•Coverage in Canada varies on some items.

For full details call Sears Canada at 1-800-361-6665.

Sears Installation Service

For Sears professional installation of home appliances, garage door openers, water heaters, and other major home items, in the U.S.A. or Canada call
1-800-4-MY-HOME®.

SAFETY MESSAGES - Please READ & SAVE this information

We have provided many important safety messages in this manual and on your appliance. Always read and obey all safety messages.



WARNING

- Misuse of the dishwasher can result in serious injury or death. Do not use the dishwasher in any way not covered in this manual or for any purpose other than those explained in the following pages.
- Severe product damage and/or injury could result from the use of unqualified service technicians or non-original replacement parts. All repairs must be performed by a qualified service technician using only original equipment factory replacement parts.
- Electrical shock or fire could result if the electrical supply for the dishwasher covered in this manual is incorrectly installed or if the dishwasher has been improperly grounded. Do not use the dishwasher covered in this manual unless you are certain the electrical supply has been correctly installed or the dishwasher has been properly grounded.
- Never use harsh chemicals to clean your dishwasher. Some chloride-containing products can damage your dishwasher and may present health hazards!

NOTICE

- It is highly recommended for the end user to become familiar with the procedure to shut off the incoming water supply and the procedure to shut off the incoming power supply. See the installation Instructions or contact your installer for more information.
- Never use steam cleaning products to clean your dishwasher. The manufacturer will not be liable for the possible damages or consequences.



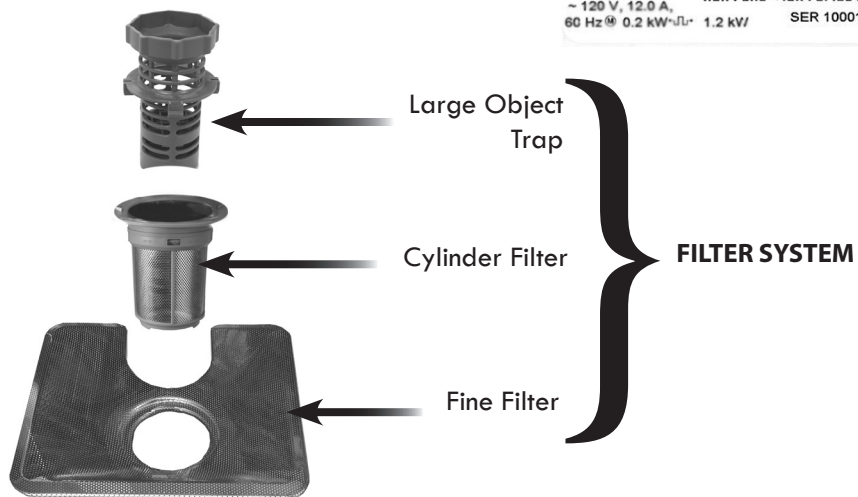
WARNING: To reduce the risk of fire, electrical shock, or serious injury, observe the following:

- This dishwasher is provided with Installation Instructions and this Use and Care Manual. Read and understand all instructions before installing or using the dishwasher.
- This appliance must be grounded to a metal, permanent wiring system, or an equipment grounding conductor must be run with the circuit conductors and connected to the equipment grounding terminal or lead on the dishwasher. See the Installation Instructions included with this dishwasher for more information on electrical requirements.
- Use this dishwasher only for its intended function, which is the washing of household dishware and kitchenware.
- Use only detergents or rinsing agents recommended for use in a dishwasher, and keep them out of the reach of children.
- When loading items to be washed:
 - a. Locate sharp items so that they are not likely to damage the door seal.
 - b. Load knives and other sharp utensils with their HANDLES UP to reduce the risk of cut-type injuries.
 - c. Do not wash plastic items unless they are marked "dishwasher safe" or the equivalent. For plastic items not so marked, check the manufacturer's recommendations.
 - d. Do not operate your dishwasher unless all enclosure Panels are in place.
 - e. Do not tamper with or override controls and interlocks
- Do not abuse, sit on, or stand on the door or dish racks of the dishwasher.
- To reduce the risk of injury, do not allow children to play in or on the dishwasher.
- When children become old enough to operate the appliance, it is the legal responsibility of the parents or legal guardians to ensure that they are instructed in safe practices by qualified persons.
- Under certain conditions, hydrogen gas may be produced in a hot water system that has not been used for two weeks or more. Hydrogen gas is explosive. Before using a dishwasher that is connected to a hot water system that has been unused for two weeks or longer, turn on all hot water faucets and let the water flow from each for several minutes, open windows to ventilate the house. This will release any accumulated hydrogen gas. As the gas is explosive, do not smoke or use an open flame during this time.
- Remove the dishwasher door to the washing compartment when removing an old dishwasher from service or discarding.
- To avoid floor damage and possible mold growth, do not allow wet areas to remain around or under the dishwasher.
- Protect your dishwasher from the elements. Protect against freezing to avoid possible damage to the fill valve. Damage caused by freezing is not covered by the warranty.

DISHWASHER COMPONENTS



* Features vary by model



DISHWASHER FEATURES

Noise Reduction System: A two-pump motor system, the Suspended Motor and triple insulation make this dishwasher one of the quietest in North America.

Stainless Steel Giant Tub: A rust-free, hygienic interior surface with a lifetime warranty.

Nylon Coated Racks: Eliminate cuts and nicks, and have a five year warranty.

Concealed Heating Element: Heats water up to a sanitizing temperature.

Condensation Drying: A high temperature final rinse, a low temperature stainless steel tub, and the sheeting action of a rinse agent result in drying that is hygienic, energy efficient, and economical.

SmartSensor: Checks water condition and decides whether a second fresh water fill is necessary.

Triple Filtration System: Multiple filters ensure distribution of clean water and protect the main pump and the drain pump from foreign material.

Water Shut-Off: A safety feature that stops the flow of incoming water, if water is detected in the base of the dishwasher.

Time Delay: This option allows you to delay the start time of your dishwasher.

Upper Rack & Lower Rack Flip Tines: Increase the rack flexibility to accommodate larger/taller items.

Half Load: Reduces the energy and water consumption when washing small, lightly soiled loads.

Adjustable Racks: The top rack can be raised or lowered to accommodate tall items in the top and bottom racks.

DISHWASHER MATERIALS

NOTE: Before using your dishwasher for the first time, check the information in this section. Some items are not dishwasher safe and should be handwashed; others require special loading.

RECOMMENDED

Aluminum: Colored anodized aluminum may fade over time. Minerals in your water may cause the aluminum to darken or spot. This can usually be removed with a soap-filled steel wool pad.

China, Crystal, Stoneware: Some hand-painted utensils may discolor, fade, or spot. Hand-wash these utensils. Position fragile glassware so that it will not topple over or come in contact with other utensils during the wash cycle.

Glass: Milk glass may discolor or become yellow.

Non-stick Coatings: Apply a light coating of vegetable oil to non-stick surfaces after drying.

Plastics: Make sure the plasticware is dishwasher safe.

Stainless Steel, Sterling Silver, and Silver Plates: Load these utensils in a way that they do not come in contact with other metals.

NOT RECOMMENDED

Acrylic: Cracking (small cracks throughout the acrylic) may occur.

Adhesive-Joined Pieces: Adhesives that join materials such as plastic, wood, bone, steel copper, tin, etc. may loosen.

Bone-Handled Utensils: Handles may separate.

Iron/Cast Iron: Iron will rust. Hand-wash and dry immediately.

Non-Dishware Items: Your dishwasher is intended for use in cleaning ONLY standard household dishware and kitchenware.

Pewter, Brass, Bronze: Pewter will tarnish. Hand-wash and dry immediately.

Tin: Tin will stain. Hand-wash and dry immediately.

Wood: Wooden bowls, wooden utensils, and utensils with wooden handles can crack, warp, and lose their finish.

Gold: Gold may discolor

LOADING THE DISHWASHER

Do not pre-wash items that have loosely attached soiling. Remove large food particles, bones, seeds, toothpicks, and excessive grease. Items having burned-on, baked-on or starchy soils may require pre-treatment.

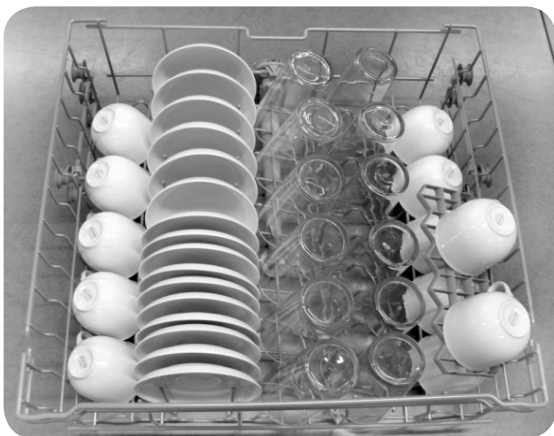
Refer to the *Dishware Materials* section for more information about dishware suitability.

- Load only dishwasher-safe items into the dishwasher.
- Load dishes in the dishwasher racks so that the insides of bowls, pots and pans are facing the spray arms.
- Avoid nesting and contact points between dishes.
- Separate items of dissimilar metals.
- Load dishes and glasses at an angle to avoid puddling and improve drying performance.

NOTICE

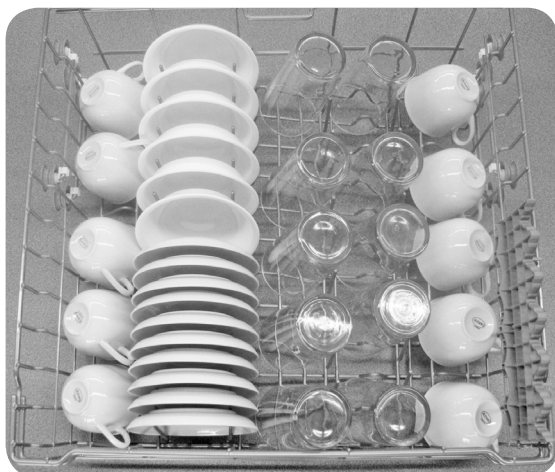
To avoid dishwasher damage, do not load the dishwasher with paper products, plastic bags, packing materials, or anything other than normal, dishwasher-safe dishware and kitchenware.

TOP RACK - SUGGESTED LOADING PATTERN



NOTE: Load cups and glasses between tines. Loading over the tines can cause breakage or water spots.

TOP RACK - ADDITIONAL LOADING PATTERN



Loading the Top Rack

NOTE: Ensure items do not protrude through the bottom of the racks and block the spray arms.

NOTE: When pushing the top rack into the dishwasher, push it until it stops against the back of the tub so the top rack spray arm will connect to the water supply at the back of the tub. Do not push the top rack with the door.

Loading the Bottom Rack

Place large items in the bottom rack. Load pots, pans and bowls with dirty surface facing the spray arms.

Unloading sequence

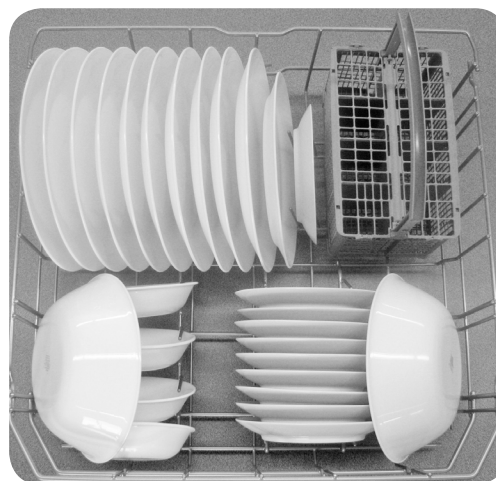
- Unload the bottom rack first.
- Unload the silverware basket.
- Unload the top rack.

NOTE: Do not use rubber bands (to hold items in place in the racks) or any other after market parts in your dishwasher. The use of such items could potentially damage the drain pump.

BOTTOM RACK - SUGGESTED LOADING PATTERN



BOTTOM RACK - ADDITIONAL LOADING PATTERN



LOADING THE SILVERWARE

NOTE: The silverware basket tops can be folded up to accommodate large or oddly-shaped items.

With the silverware basket tops down, insert blades or handles of utensils through the basket top openings according to the patterns suggested below.

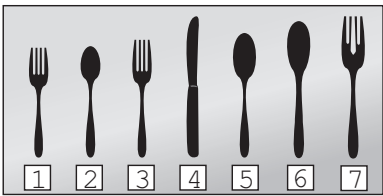
Place knives and sharp utensils with their handles up, and forks and spoons with their handles down. If large or oddly-shaped items are to be loaded into the silverware basket with the tops up, load the items so that they do not nest together.

Use suggested loading pattern for best results.

WARNING

The sharp points and edges of knives and other sharp utensils can cause serious injuries. Load knives and other sharp utensils with edges down. Do not allow children to handle or play near knives and sharp utensils.

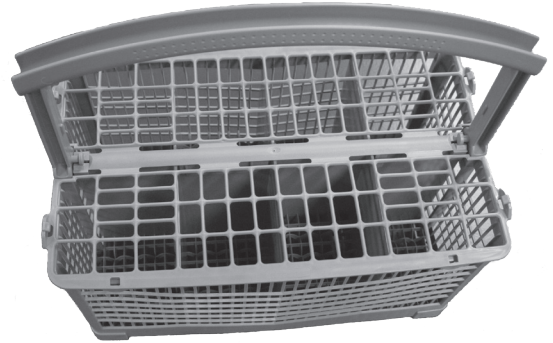
THE STANDARD SILVERWARE BASKET



- | | | |
|----------------|-----------------|-------------------|
| 1 - Salad Fork | 3 - Dinner Fork | 5 - Table Spoon |
| 2 - Tea Spoon | 4 - Knife | 6 - Serving Spoon |
| | | 7 - Serving Fork |

4	4	4	4	4	4	4
5		7		3		
5	3		3		3	2
5	1		1			2
5	1		1			2
5			1			2
5			1			2
2				1	1	5
2				1	1	5
2				1		5
2				1		5
2		6		3		5
2	3		3		3	5
4	4		4		4	4

The standard silverware basket (select models) fits in the back of the lower rack. The basket lid can be snapped to the handle to leave the basket open.



Basket Placement Option



RACK FEATURES & ACCESSORIES

CUP SHELVES

Cup shelves are used to hold cups and other large items such as ladles and serving spoons. To use the cup shelves, fold them downwards so that they are positioned as shown below. Place cups upside down on the shelves.



FLIP TINES

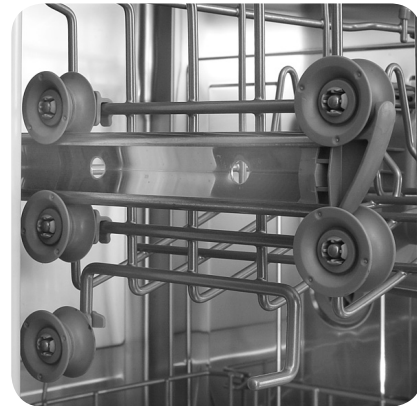
The racks consist of tines that you can fold down or raise, depending on what you need to load in the rack. To fold down the tines, simply grasp it and push downwards.

MANUAL RACK HEIGHT ADJUSTMENT

Remove the empty rack by pulling it out of the dishwasher to the point that it can be lifted upward, as shown above. Pull the rack outward and up until the rollers are completely free of the roller guides.



Re-insert the rack with the other set of rollers on the roller guides, as shown below.



DETERGENT

Detergent

Use only detergent specifically designed for dishwashers.
For best results, use fresh powdered dishwashing detergent.

NOTICE

To avoid dishwasher damage, do not use hand dishwashing products in your dishwasher.

■ To avoid dishwasher damage, do not use too much detergent if your water is soft, it may cause etching in glassware.

The dishwasher uses less water so you need to use less detergent. With soft water, 1 tbsp. (15ml) of detergent will clean most loads. The detergent dispenser cup has lines that measure detergent to:

- 1 tablespoon (15ml)
- 1.75 tablespoons (25ml)

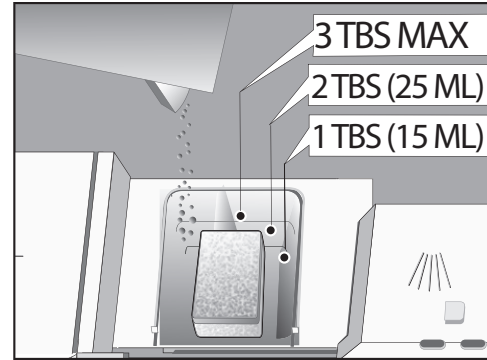
3 tablespoons (45ml) of detergent will completely fill the detergent dispenser cup.

NOTE: If you do not know the hardness of your water supply, use 15ml of detergent. Increase the amount, if necessary, to the least amount required to get your kitchenware clean.

Use the measuring lines in the detergent dispenser cup to measure the amount of detergent recommended in the

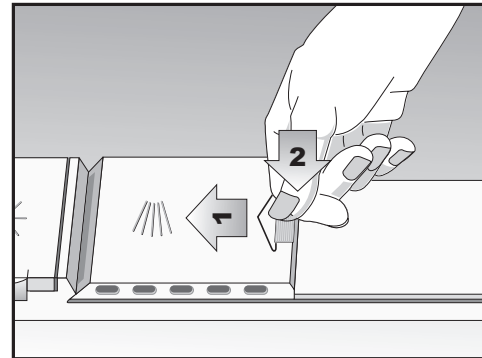
Recommended Detergent Amount				
		Water Type		
Wash Cycle	Unit	Hard	Medium	Soft
Pots & Pans	ml Tbsp	45 3	45 3	25-45 1.75 - 3
Normal Wash	ml Tbsp	25-45 1.75 - 3	25 1.75	15-25 1 - 1.75
Fast Wash	ml Tbsp	25 1.75	15-25 1 - 1.75	15 1
China Gentle	ml Tbsp	25 1.75	15-25 1 - 1.75	15 1
Quick Rinse	ml Tbsp	None	None	None

Adding Detergent



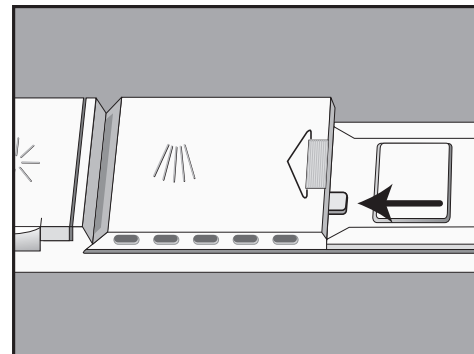
- Use fresh powdered detergent for best results.
- 1 tablespoon will clean most loads.
- Do not use more than 3 tablespoons. Do not overfill.
- When using detergent tabs, lay them flat to avoid contact with the cover.

TO CLOSE



- Slide cover fully left
- Push rear end of the cover down firmly until you hear a *CLICK*

TO OPEN




- To open the cover, push the blue button, at the rear end of the cover, inwards. (NOT DOWN)

RINSE AGENT

Rinse Agent

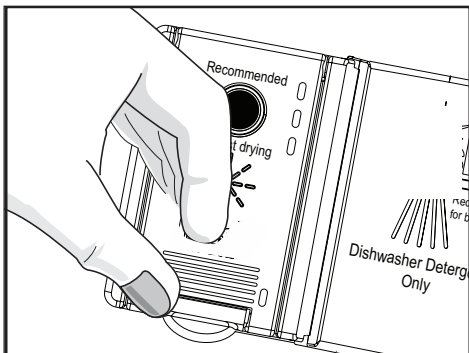
To achieve proper drying, always use a liquid rinse agent, even if your detergent contains a rinse agent or drying additive.

NOTE: The dishwasher indicates low rinse agent by showing the  symbol in the countdown display. Units without a display have a Rinse Agent LED that illuminates when the Rinse Agent is low.

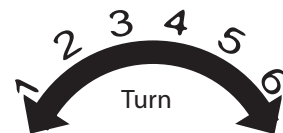
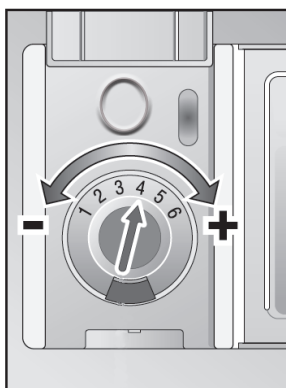
Add liquid rinse agent to the dispenser until the rinse agent reservoir is full. Wipe up any excess rinse agent that puddles when the dispenser reservoir is full.

After filling the rinse agent dispenser, the indicator light will go out in a few minutes after the dishwasher door is shut.

Adding Rinse Agent



- Always use Rinse Agent even if your detergent contains rinse agent.
- Add rinse agent when the LED on the control panel illuminates.

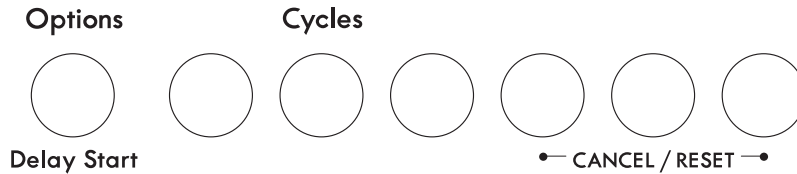


To Decrease
Streaks on glasses

To Decrease
Spots on glasses

- To add rinse agent, pour on the arrow.
- Turn the arrow to adjust the amount of rinse agent dispensed.

DISHWASHER CYCLES AND OPTIONS



WASH CYCLES

CYCLE	SOIL LEVEL	*TIME (mins.) Without options		Water Usage	
		Typical	Maximum	Gallons	Liters
Pots & Pans * Cleans items having baked-on or hard dried food soils. These items may require soaking or hand scouring.	Light-Medium	130	135	6.1	23.2
	Heavy	130	135	7.2	27.4
Normal Wash * Thoroughly cleans normal loads having loosely attached normal soiling.	Light - Medium	100	105	2.7	10.4
	Heavy	115	119	5.9	22.5
China Gentle * Designed to be used with your fragile china and glassware, allowing you to get it perfectly clean without the hassle of hand washing or worry of damage in the dishwasher.	All Soil Levels		80	3.5	13.1
Fast Wash Cleans lightly soiled dishes and reduces overall wash time. Use this cycle to clean glasses and dessert dishes that may need to be re-used at the same event	All Soil Levels		39	3.5	13.1
Quick Rinse A ten minute rinse for reducing food odor and keeping food residue from drying. Do not use detergent. Use this rinse cycle for rinsing dishes, glasses and silverware that will not be washed right away.	All Soil Levels		9	1.2	4.7

Adding options will increase or decrease cycle time. See "Options" information section.

* These cycles are NSF certified

NSF INFORMATION

A dishwasher or dishwasher cycle that is certified by the NSF international meets very strict requirements of wash time and water temperature to ensure dishware and kitchenware sanitization. These requirements are explained in the document NSF/ANSI 184, Residential Dishwashers. More information on NSF Certification is available at the NSF website,

<http://www.nsfconsumer.org/home/appliances.asp>.

Your dishwasher is NSF certified. The dishwasher cycles that are NSF certified are shown in the chart below. When these cycles are complete, the "Sanitized" indicator on your dishwasher control panel will illuminate. However, if your

household water supply is too hot your dishwasher's heating time may be reduced, and the Sanitized indicator may not illuminate.

The cycle times listed in the Use and Care Manual are based on normal soil loads and 120°F incoming water and will vary based on your actual conditions.

NOTE: Only sanitizing cycles have been designed to meet the requirements of 6 for soil removal and sanitization efficacy. There is no intention, either directly or indirectly, that all cycles on a certified machine have passed the sanitization performance test.

DISHWASHER CYCLES AND OPTIONS

CYCLE OPTIONS

OPTIONS	Can be selected with:	Added time to cycle		Added Water	
		Typical	Maximum	Gallons	Liters
Half Load Reduces the energy and water consumption when washing small, lightly soiled loads that fill approximately half the dishwasher's capacity	Pots & Pans	118m	120m	5.1	19.3
	Normal Wash	95m	110m	3.7- 4.8	16.1- 18.3

OPERATING THE DISHWASHER

Canceling a cycle

- Open the door slightly to stop the cycle.
- Wait for a few seconds before opening the door all the way.
- Press the "CHINA GENTLE" and "QUICK RINSE" button at the same time.
- Close the door. The dishwasher will drain any remaining water.

ADDITIONAL FEATURES

Countdown Display

The countdown display indicates the time remaining for a cycle to complete. The time will change based on water temperatures and control settings.

Time Delay

This option allows you to delay the start time of your dishwasher. To activate:

- Turn the dishwasher on.
- Select the desired wash cycle.
- Press and hold the Delay Start button. Release when the desired delay time is shown in the display window.

Changing a cycle

- Open the door slightly to stop the cycle.
- Before opening door all the way, wait a few seconds for water to drain to the base of dishwasher tub.
- Press the "CHINA GENTLE" and "QUICK RINSE" button twice to reset.
- Select new cycles and options.



WARNING

You could be seriously scalded if you allow hot water to splash out of the dishwasher. **OPEN THE DOOR CAREFULLY** during any wash or rinse cycle. Do not fully open the door until water noises have stopped.

CARE AND MAINTENANCE

MAINTENANCE TASKS

Certain areas of your dishwasher require occasional maintenance. The maintenance tasks are easy to do and will ensure continued superior performance from your dishwasher:

- **Wiping up Spills and Splash-outs**

Water may occasionally splash out of your dishwasher, especially if you interrupt a cycle or open the dishwasher door during a cycle. To avoid floor damage and possible mold growth, do not allow wet areas to remain around or under the dishwasher.

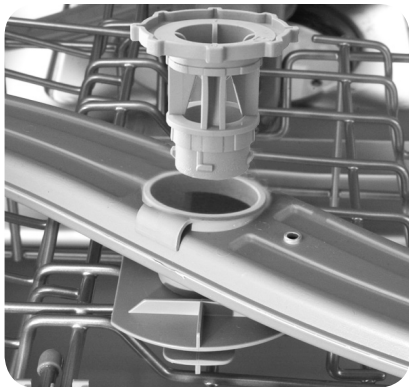
- **Clean the Stainless Steel Inner Door and Tub**

Clean the outer edges of the inside door panel regularly to remove debris that might collect from normal loading. If spots begin to appear on the stainless steel tub or inner door, make sure the rinse agent reservoir is full.

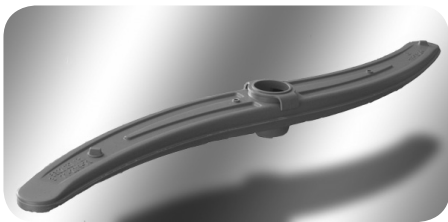
- **Check and clean the Spray arm nozzles**

Occasionally check the spray arms to ensure that the spray arm nozzles (holes) are unobstructed. You must remove the spray arms to check them for obstruction.

To remove the top spray arm:



1. Remove the empty top rack from the dishwasher.
2. Turn the rack upside down. The top spray arm is held in position by a locking nut as shown above. Turn the locking nut counter-clockwise and remove it as shown above to release the spray arm.



3. Remove the spray arm as shown above.
4. Look for obstruction in the spray nozzles.
5. If the spray nozzles need cleaning, flush them under running water.

To reinstall the top spray arm:

1. Return the top spray arm to its installed position.
2. Return the locking nut to its installed position and turn it 1/8 turn clockwise.
3. Return the top rack to the top rack roller guides.



CAUTION

To avoid injury, do not reach into the large object trap with your fingers. The large object trap could contain sharp objects.

To remove the bottom spray arm:

1. Remove the empty bottom rack from the dishwasher tub.



2. Grasp and lift the bottom spray arm as shown below.
3. Look for obstruction in the spray nozzles.
4. If the spray nozzles need cleaning, flush them under running water.

To reinstall the bottom spray arm:

1. Return the bottom spray arm to its installed position and press it so that it snaps into place.
2. Return the bottom rack to its installed position.

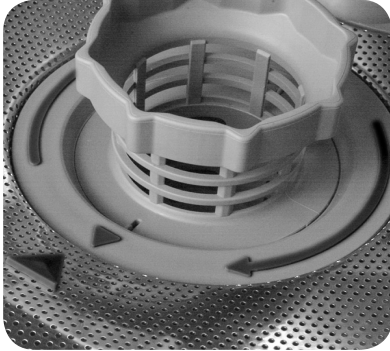
- **Check and clean the filter system**

This dishwasher has a filter system that consists of a Large Object Trap/Cylinder Filter assembly and a Fine Filter.

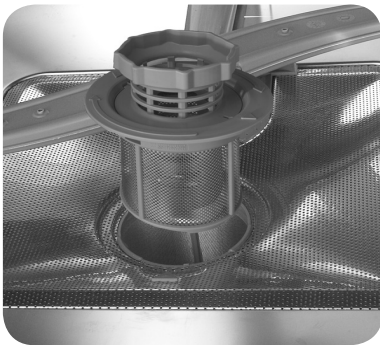
The filter system is located on the inside of your dishwasher under the lower rack and is easily accessible. During normal use, the filter system is self-cleaning. You should occasionally inspect it for foreign objects and clean it when necessary.

To remove the Large Object Trap/ Cylinder Filter Assembly:

1. Remove the bottom rack.
2. Grasp the assembly and turn it counterclockwise 1/4 turn as shown below.
3. Lift out the assembly as shown below.
4. Carefully examine the assembly. If you find debris in the Large Object Trap, turn it upside-down and gently tap it on a surface such as a countertop to dislodge and remove the debris.



5. Flush the Cylinder Filter clean by holding it under running water.



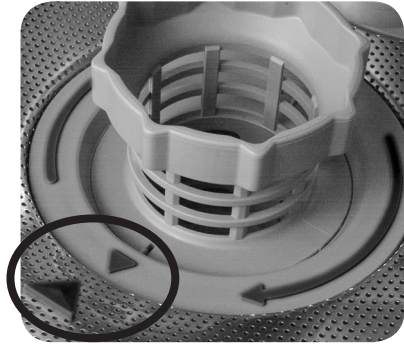
To remove the fine filter:

1. Lift the fine filter from the dishwasher floor as shown above and flush it clean by holding it under running water.
2. Remove the Micro filter and flush it clean by holding it under running water.



To reinstall the filter system:

1. Return the fine filter to its originally installed position.
2. Place the Large Object Trap/Cylinder Filter Assembly into its installed position in the dishwasher floor.
3. Turn the ring handle clockwise 1/4 turn until it is locked. The arrow on the ring handle and the arrow on the Fine Filter should point to each other, as shown below.
4. Gently pull the ring handle to ensure that the assembly is locked into place.



• Clean the Exterior Door Panel

Colored Doors

Use only a soft cloth that is lightly dampened with soapy water.

Stainless Steel Doors

Use a soft cloth with a non-abrasive cleaner (preferably a liquid spray) made for cleaning stainless steel. For the best results, apply the stainless steel cleaner to the cloth, then wipe the surface.

• Clean the Door Gasket

Regularly clean the door gasket with a damp cloth to remove food particles and other debris. Also clean the door seal, located inside the dishwasher at the bottom of the door.

• Winterizing Your Dishwasher

If your dishwasher will be unused for an extended period of time in a location that experiences freezing temperatures (e.g., in a holiday home or through a vacation period), have your dishwasher winterized by an qualified service center.

TROUBLESHOOTING

Dishwashers may occasionally exhibit problems that are unrelated to a malfunction of the dishwasher itself. The following information may help you with a dishwasher problem without involving a repair professional.

Problem	Cause	Action
Dishwasher does not start	<ol style="list-style-type: none"> 1. Door may not be properly latched. 2. Unit may not be turned on. 3. Unit not reset or previous cycle not completed. 4. Delay start engaged. 5. Interruption of electrical power supply to dishwasher or blown fuse. 6. The door may have been closed without first selecting a cycle. 7. Water supply may not be turned on. 	<ol style="list-style-type: none"> 1. Shut the door completely. 2. Press the main power switch to turn unit on. 3. To reset, refer to "Canceling or changing the cycle" section in this manual. 4. To reset, refer to "Delay Start" section in this manual. 5. Check circuit breaker. 6. Select a cycle and close the door. 7. Check and turn on water supply.
Dishwasher beeping (end of cycle signal)	Default factory settings alert the customer that the cycle has completed by beeping. This feature can be deactivated if so desired.	To adjust the volume or deactivate, refer to "Cycle Completion Signal" section in this manual.
Display does not illuminate or console lights are not on	<ol style="list-style-type: none"> 1. A fuse may have been blown or circuit breaker tripped. 2. Door not closed or latched. <p>Note: For models with controls on the top portion of the door, the display only illuminates when the door is opened and controls are visible.</p>	<ol style="list-style-type: none"> 1. Check the fuse or circuit breaker box and replace the fuse or reset the breaker if necessary. 2. Ensure that door is properly latched and completely closed.
Dishwasher seems to run a long time	<ol style="list-style-type: none"> 1. Incoming water is not warm enough. 2. Cycle time can vary due to soil and water conditions. 3. Rinse agent dispenser is empty. 4. Dishwasher connected to cold water supply. <p>For typical cycle length, refer to Wash Cycles table in Dishwasher Cycles and Options section of this Use & Care Guide.</p>	<ol style="list-style-type: none"> 1. Before starting a cycle, run hot water faucet at the sink nearest to the dishwasher. 2. Sensors in the dishwasher automatically increase the cycle time to ensure a good wash when heavy soil is detected. 3. Add rinse agent. 4. Verify dishwasher is connected to hot water supply plumbing.
Dishes aren't getting clean enough	<ol style="list-style-type: none"> 1. Spray arm movement is obstructed. 2. Spray arm nozzles clogged. 3. Improper use of detergents. 4. Filters could be clogged. 5. Dishes are nested or loaded too close together. 6. Selected wash cycle is not suitable for food soil conditions. 	<ol style="list-style-type: none"> 1. Ensure that spray arm movement is not blocked by hand rotating spray arms. 2. Remove the spray arms and clean according to "Check/Clean the Spray Arm Nozzles" in Care and Maintenance section of this manual. 3. Increase or decrease detergent depending on the water hardness. Refer to Table under "Adding Detergent and Rinse Agent". 4. Clean the filter. Refer to "Check/Clean the Filter System" under Care and Maintenance section of this manual. 5. Rearrange load such that water spray can reach all items in the dishwasher. See also "Preparing and Loading" section of this manual. 6. Refer to Wash Cycles table in Dishwasher Cycles and Options section of this Use & Care Guide.
Dishes are not getting dry enough	<ol style="list-style-type: none"> 1. Rinse agent dispenser is empty. (Rinse agent indicator is activated). 2. Improper loading of dishes. 3. Selected cycle does not include drying. <p>Note: Plastic or Teflon do not typically dry as completely as other items due to their inherent properties.</p>	<ol style="list-style-type: none"> 1. Add rinse agent. The use of rinse agent improves drying. 2. Rearrange load to ensure items are not nested. Refer also to the "Preparing and Loading" section of this manual. 3. Quick Rinse setting does not include drying cycle, Note: Select models offer an extra heating options to improve drying performance. Refer to "Wash Cycle options" under the Operating the Dishwasher section of this manual.

Problem	Cause	Action
Odor	<ol style="list-style-type: none"> 1. Food debris is present at the bottom of the dishwasher. 2. Food particles are present near the door seal. 3. Dishes left too long in unit before running a cycle. 4. Residual water is present at the bottom of the dishwasher. 5. Drain hose is obstructed. 	<ol style="list-style-type: none"> 1. Remove the filters and clean according to the "Check/Clean the Filter System" section of this manual. 2. Refer to "Clean the Door Gasket and Door Seal" in the Care and Maintenance section of this manual . 3. Run a Quick Rinse cycle if you do not intend to immediately wash the dishes. 4. Ensure the unit has completely drained from the last cycle. Refer to the "Canceling or changing the cycle" section of this manual. 5. Remove any obstructions from the drain hose by calling qualified personnel. <p>If odor still persists, run the Normal/Regular cycle until it flushes, then open the door to interrupt the cycle, and place an 8 oz. cup of distilled white vinegar solution on the top rack. Close the door and allow the cycle to finish.</p>
Dishwasher not filling with water	<ol style="list-style-type: none"> 1. Restriction in the water supply system. 2. Previous wash cycle was not completed. 3. Delay-start is active. 	<ol style="list-style-type: none"> 1. Ensure that the water supply valve (typically located under kitchen sink) is open and check that the water supply line has no kinks and clogs. 2. Refer to the "Canceling or changing the cycle" section of this manual. 3. Cancel the delay-start or wait until delay-start time completes (times out). Refer to the "Delay Start" section of this manual.
Water Leaks	<ol style="list-style-type: none"> 1. Suds 2. Door seal could be pulled away from track. 3. Condensation vent is blocked. 4. Improper installation. 	<ol style="list-style-type: none"> 1. Wrong type of detergent results in suds and leaks. Use only dishwasher detergents. If suds still persist, then add one tablespoon of vegetable oil at the bottom of the dishwasher and run the desired cycle. 2. Ensure that door seal is in the track. 3. Ensure that condensation vent is not blocked. Refer to "Loading Extra Tall Items" in the Preparing and Loading the Dishwasher section of this manual. 4. Have proper installation verified by qualified personnel (water supply, drain system, leveling, plumbing).
Tub stains	<ol style="list-style-type: none"> 1. Stains on the dishwasher interior are due to hardness of water. 2. Silverware in contact with tub. 	<ol style="list-style-type: none"> 1. Concentrated Lemon juice can reduce the build up of hard water stains. Run a normal cycle until it flushes and interrupt the cycle and then place an 8 oz. cup of the concentrated lemon solution on the top rack and finish the cycle. This can be done periodically to avoid build up. 2. Ensure that the silverware does not make contact with the tub while running a cycle.
Streaks on glassware or residue on the dishes	Incorrect rinse agent setting.	Depending on the hardness of water, adjust the rinse agent dispenser. Refer to "Adding Detergent and Rinse Agent" section in this manual for adjustment.
Fascia panel discolored or marked	Abrasive cleaner used.	Use mild detergents with soft damp cloth.
Noise during wash cycle	The dishes may not be arranged properly.	Water circulation sound is normal, but if you suspect items are banging into each other or into the spray arms, refer to the "Preparing and Loading" section of this manual for optimal arrangement.
Detergent dispenser cover will not shut	<ol style="list-style-type: none"> 1. Improper operation of detergent cover. 2. Previous cycle has not been finished, reset, or cycle was interrupted. 	<ol style="list-style-type: none"> 1. Refer to "Adding Detergent and Rinse Aid" section of this manual for instructions on opening and closing the dispenser. 2. Refer to "Canceling a cycle" and "Changing a cycle" information in the Operating the Dishwasher section of this Use & Care Guide
Unable to select desired cycle	Previous cycle has not finished.	Refer to "Canceling a cycle" and "Changing a cycle" information in the Operating the Dishwasher section of this Use & Care Guide.

WARRANTY INFORMATION

Kenmore Elite Limited Warranty

When this appliance is installed, operated and maintained according to all supplied instructions, the following warranty coverage applies. To arrange for warranty service, call 1-800-4-MY-HOME® (1-800-469-4663).

- For two years from the date of purchase, any part of the dishwasher that fails due to defective materials or workmanship will be replaced free of charge. After the first year from purchase date, the customer assumes any labor costs associated with replacement of these parts.
- For five years from the date of purchase, any part of the upper or lower dish rack that rusts due to defective materials or workmanship will be replaced free of charge. After the first year from purchase date, the customer assumes any labor costs associated with dish rack replacement.
- If a leak ever occurs as a result of rust-through of the stainless steel tub or inner door panel, the tub or panel will be replaced free of charge.

This warranty applies for only 90 days from the date of purchase if this appliance is ever used for other than private family purposes.

This warranty covers only defects in material and workmanship, and will NOT pay for:

1. Expendable items that can wear out from normal use, including but not limited to filters, belts, light bulbs, and bags.
2. A service technician to instruct the user in correct product installation, operation or maintenance.
3. A service technician to clean or maintain this product.

4. Damage to or failure of this product if it is not installed, operated or maintained according to the all instructions supplied with the product.
5. Damage to or failure of this product resulting from accident, abuse, misuse or use for other than its intended purpose.
6. Damage to or failure of this product caused by the use of detergents, cleaners, chemicals or utensils other than those recommended in all instructions supplied with the product.
7. Damage to or failure of parts or systems resulting from unauthorized modifications made to this product.

Disclaimer of implied warranties; limitation of remedies

Customer's sole and exclusive remedy under this limited warranty shall be product repair as provided herein. Implied warranties, including warranties of merchantability or fitness for a particular purpose, are limited to one year or the shortest period allowed by law. Sears shall not be liable for incidental or consequential damages. Some states and provinces do not allow the exclusion or limitation of incidental or consequential damages, or limitation on the duration of implied warranties of merchantability or fitness, so these exclusions or limitations may not apply to you.

This warranty applies only while this appliance is used in the United States or Canada.

This warranty gives you specific legal rights, and you may also have other rights which vary from state to state.

Sears Brands Management Corporation, Hoffman Estates, IL 60179

Sears Canada Inc., Toronto, Ontario, Canada M5B 2B8

Free Manuals Download Website

<http://myh66.com>

<http://usermanuals.us>

<http://www.somanuals.com>

<http://www.4manuals.cc>

<http://www.manual-lib.com>

<http://www.404manual.com>

<http://www.luxmanual.com>

<http://aubethermostatmanual.com>

Golf course search by state

<http://golfingnear.com>

Email search by domain

<http://emailbydomain.com>

Auto manuals search

<http://auto.somanuals.com>

TV manuals search

<http://tv.somanuals.com>