

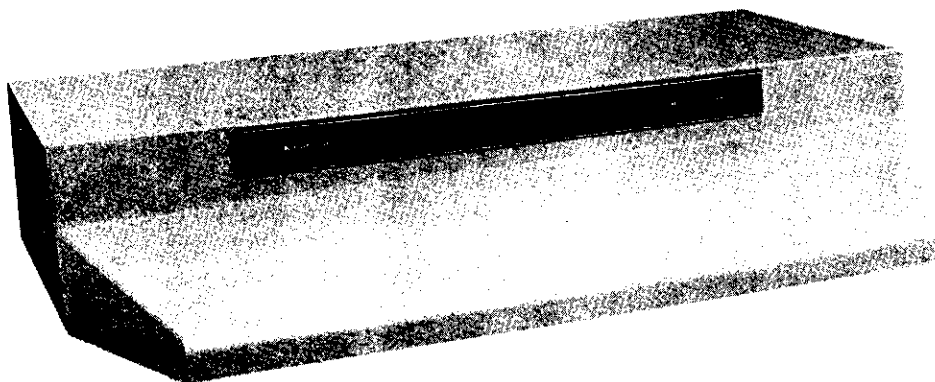
**Kenmore**

# operating instructions and parts list

## KENMORE RANGE HOOD

### STOCK NUMBERS

COLOR	30 IN.
White	51841
Almond	51848
Stainless	51840

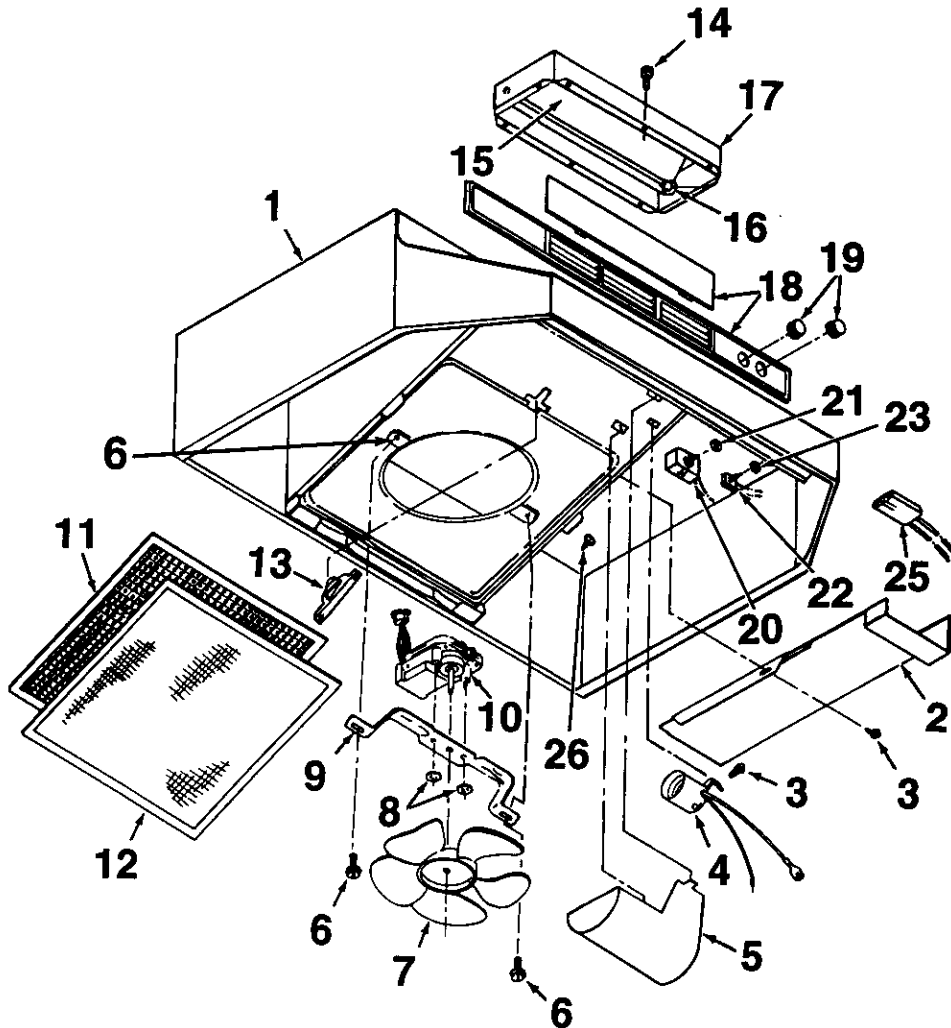


**IMPORTANT:** Read instructions carefully for safe installation and operation.

**SAVE THIS MANUAL FOR  
FUTURE REFERENCE**

Kenmore Sold as Sears  
Sold by Sears, Roebuck and Co., Chicago, IL 60612

**KENMORE RANGE HOOD**  
Model 233.51841590



**HOW TO AVOID A COMMON RANGE-TOP GREASE FIRE**

- Your range hood provides a protective barrier between the cooking surface and the cabinets.
- Keep fan, filters and grease laden surfaces **CLEAN** according to instructions.
- Always turn hood **ON** when cooking at high heat to keep the cooking area clean and the hood cooler.
- Use high heat settings only when necessary.
- Never leave cooking surface unattended. Boil-over causes smoking and greasy spillovers that may ignite.
- Always use adequate-sized utensils.
- If preparing flaming foods, such as Cherries Jubilee, always turn hood **ON** to **HIGH** to prevent a high heat situation which can cause damage or fire.

**HOW TO EXTINGUISH A COMMON RANGE-TOP GREASE FIRE**

- Never pick up a flaming pan. If dropped, flames can spread quickly.
- **DO NOT USE WATER!** A violent steam explosion may result. Wet dishcloths or towels are also dangerous.
- Smother flames with a close fitting lid, cookie sheet or metal tray.
- Flaming grease can also be extinguished with baking soda or a multi-purpose dry chemical extinguisher.
- Turn off surface units - if you can do so without getting burned.

KEY NO.	PART NUMBER	DESCRIPTION
1	97009042 97009043 97009044	Canopy - 30" White Canopy - 30" Almond Canopy - 30" Stainless
2	98006184	Outlet Box Cover
3	99150478	8-18 x 3/8 Phillips Truss Sheet Metal Screw* (2 Required)
4	97005675	Bulb Holder with Wires
5	99110437	Light Lens
6	97011217	Screw/Nut Kit (Includes 2 - #10-16 x .500 Screws and 2 - #10-16 Sheet Metal Nuts)
7	99020248	Fan Blade
8	99260428	#6-32 Locking Nuts* (2 Required)
9	98005568	Motor Mounting Bracket
10	97011224	Motor Assembly (Includes Key Nos. 7, 8 & 9)
11	97007966	Clean Cooking System I Filter
12	97006931	Aluminum Filter
13	99420472	Filter Retainer
14	99150415	#8B x 1/4 Hex Head Sheet Metal Screw* (2 Required)
15	98005221	Damper Flap
16	99100379	Damper Bushing
17	97005544	Damper Assembly (Includes Key Nos. 15 & 16)
18	97008998	Plastic Nameplate Assembly
19	99360118	Knob (2 Required)
20	97007159	Solid State Motor Switch
21	99260422	Nut, 3/8-32*
22	97007499	Light Switch
23	99260470	Nut, 15/32-32 for Light Switch*
25	97005678	Motor Receptacle with Wires
26	99150471	#10-32 x 1/2 Green Ground Screw*
**	97007501	Diode Assembly
**	-----	Light Bulb, 75 Watt (Not Included)*
**	99042173	Installation Instructions
**	99042168	Operating Instructions and Parts List

\* Standard Hardware. May be purchased locally.

\*\* Not Illustrated.

# READ AND SAVE THESE INSTRUCTIONS

## WARNING

### REDUCE THE RISK OF FIRE, ELECTRICAL SHOCK, OR INJURY TO PERSONS. OBSERVE THE FOLLOWING:

Use this unit only in the manner intended by the manufacturer. If you have questions, contact the manufacturer at the address or telephone number listed in the warranty. Before servicing or cleaning unit, switch power off at service panel and lock service panel to prevent power from being switched on accidentally. Installation work and electrical wiring must be done by a qualified person(s) in accordance with all applicable codes and standards, including fire-rated construction codes and standards. Sufficient air is needed for proper combustion and exhausting of gases through the flue (chimney) of fuel burning equipment to prevent backdrafting. Follow the heating equipment manufacturer's guideline and safety standards such as those published by the National Fire Protection Association (NFPA), and the American Society for Heating, Refrigeration and Air Conditioning Engineers (ASHRAE), and the local code authorities. When cutting or drilling into wall or ceiling, do not damage electrical wiring and other hidden utilities. Ducted fans must always be vented to the outdoors. To reduce the risk of fire, use only metal ductwork. This unit must be grounded.

### REDUCE THE RISK OF A RANGE TOP GREASE FIRE:

Keep fan, filters and grease laden surfaces clean. Always turn hood ON when cooking at high heat. Use high range settings on range only when necessary. Heat oil slowly on low to medium setting. Don't leave range unattended when cooking. Always use cookware and utensils appropriate for the type and amount of food being prepared.

## WARNING

### TO REDUCE THE RISK OF INJURY TO PERSONS IN THE EVENT OF A RANGE TOP GREASE FIRE, OBSERVE THE FOLLOWING:\*

- SMOTHER FLAMES with a close-fitting lid, cookie sheet, or metal tray, then turn off the burn. CAREFUL TO PREVENT BURNS. If the flames do not go out immediately, EVACUATE AND CALL THE FIRE DEPARTMENT.
- NEVER PICK UP A FLAMING PAN - You may be burned.
- DO NOT USE WATER, including wet dishcloths or towels - a violent steam explosion will result.
- Use an extinguisher ONLY if:
  - You know you have a Class ABC extinguisher and you already know how to operate it.
  - The fire is small and contained in the area where it started.
  - The fire department is being called.
  - You can fight the fire with your back to an exit.

\* Based on "Kitchen Firesafety Tips" published by NFPA.

## CAUTION

- For general ventilating use only. Do not use to exhaust hazardous or explosive materials and vapors.
- To avoid motor bearing damage and noisy and/or unbalanced impellers, keep drywall spray, construction dust, etc. off power unit.
- For best capture of cooking impurities, your range hood should be mounted 18-24" above the cooking surface.
- Please read specification label on product for further information and requirements.

## OPERATING INSTRUCTIONS

### SWITCHES

The blower and the light are controlled by rotary switches on the control panel. The blower switch is a solid state speed control which turns "on" in the clockwise direction. The blower speed starts at high and dials down to obtain efficient vapor removal at the quietest speed. The light switch has 3 positions. Turn it clockwise to the first position for normal lighting. Continue to the second position for a "night light".

### CLEANING

Always disconnect the electricity from the range hood before servicing. Keep your range hood clean by using a mild detergent that is suitable for cleaning painted surfaces. The power unit is designed to be easily removed for cleaning. Be careful not to bend or damage the fins on the blade as this could put them out of balance.

Aluminum filters may be washed in the dishwasher. Do not use extremely caustic cleaning agents should be avoided as they will discolor the aluminum. For ventless installations also use Clean Cooking System I Filters. Clean Cooking System Filters are not washable. Replace the filters whenever the blue side becomes noticeably dirty or discolored. Clean Cooking System I Filters will last up to twelve months with normal use.

### LIGHT BULB REPLACEMENT

The light bulb (not supplied with hood) should be 75 watt maximum. The lens covering the bulb is removed by pressing the two extending tabs together until they release from the retaining slots.

### TO REMOVE FAN ASSEMBLY

Be sure power is disconnected. Remove filters. Remove two screws holding motor bracket to range hood and unplug fan assembly. Be careful not to allow fan assembly to drop when screws are removed.

### CONVERTING TO VENTLESS

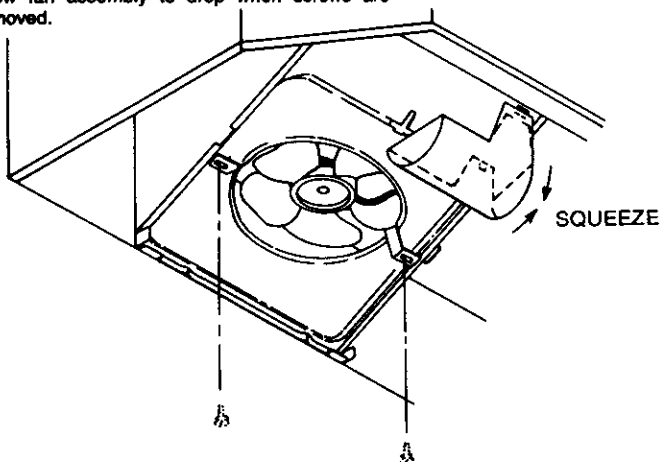
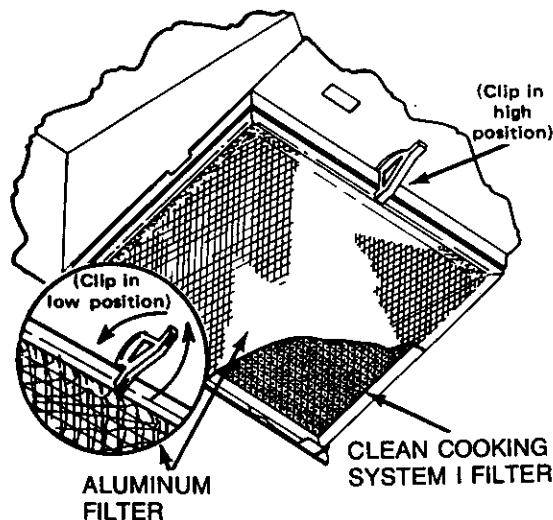
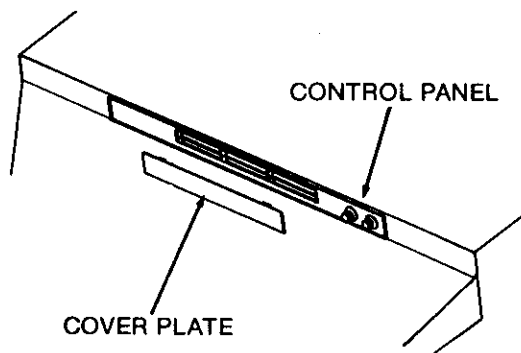
- Use a thin blade tool, such as a table knife, to carefully pry off the cover plate located in the center section of the control panel. Discard the cover.
- Order a #50183 Ventless Filter Kit, which contains one Clean Cooking System I filter, from any Sears retail or catalog store. Place the Clean Cooking System I Filter under the aluminum filter, with the blue side next to the fan blade. Turn the filter retainer clip so that the high end of the clip holds both filters in place.
- Discard the damper/duct connector assembly supplied with the hood. It will not be needed for the ventless version.

### FILTER REMOVAL

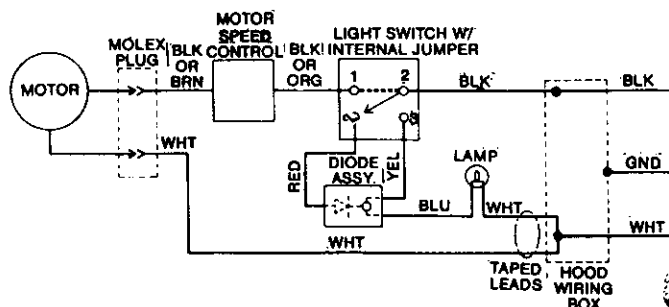
Filters are removed by turning the filter retaining clip to the side and lifting the filter or filters out. In the vented version, turn the filter retaining clip to one side and place the aluminum filter under the embossed retaining tabs on the back of the fan housing. Turn the filter clip so that the low end of the clip holds the single filter firmly in place.

In the ventless version, place both the aluminum filter and the Clean Cooking System I Filter under the tabs on the back of the fan housing. Make sure that the blue side of the Clean Cooking System Filter is next to the fan blade. Turn the filter retaining clip so that the high end of the clip holds both filters in place. Make sure that the Clean Cooking System I Filter is next to the fan blade and the aluminum filter is facing out.

NOTE: Make sure that the arrows on the filter retaining clip point toward the back and the front of the hood.



### WIRING DIAGRAM



Note - If any of the original wire on the hood has to be replaced, it should be replaced by wiring having equivalent insulation and temperature rating (105°C Thermoplastic AWM, U.L. Listed).

## Free Manuals Download Website

<http://myh66.com>

<http://usermanuals.us>

<http://www.somanuals.com>

<http://www.4manuals.cc>

<http://www.manual-lib.com>

<http://www.404manual.com>

<http://www.luxmanual.com>

<http://aubethermostatmanual.com>

Golf course search by state

<http://golfingnear.com>

Email search by domain

<http://emailbydomain.com>

Auto manuals search

<http://auto.somanuals.com>

TV manuals search

<http://tv.somanuals.com>