

# Use and Care Guide

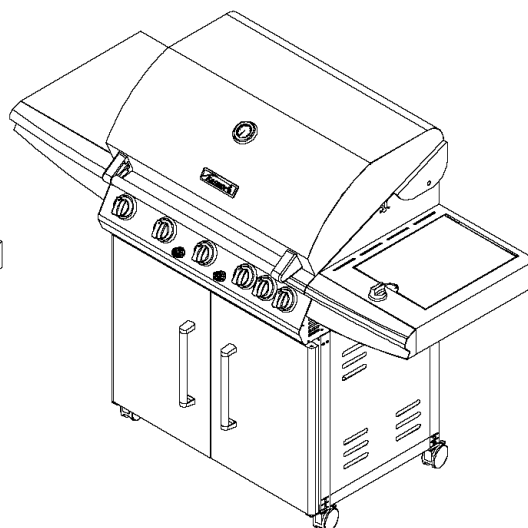
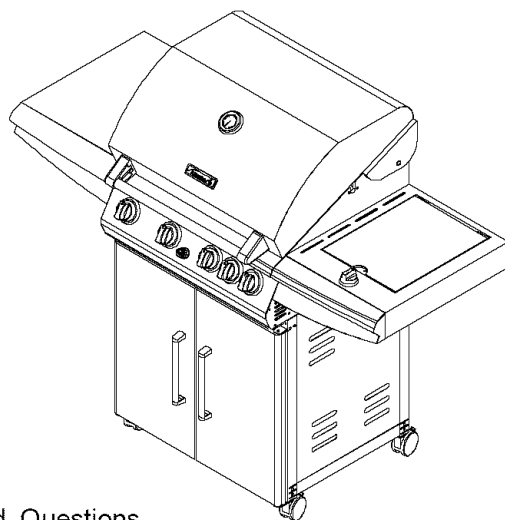


Liquid Propane Gas (LPG) Grill



Model 141.16313800

Model 141.16315800



- Safety
- Assembly
- Use and Care
- Cooking Guide
- Frequently Asked Questions

## Grill Information Center:

**Call us first** if you have any problem with this product. We can help you with questions about assembly and grill operation or if there are damaged or missing parts when you unpack this unit from the shipping box. Please call before contacting your local retailer.

**1-888-317-7642**  
8am-8pm CST, Monday through Friday

## IMPORTANT:

- **NOTE TO ASSEMBLER/INSTALLER:**  
Leave this manual with the consumer.
- **NOTE TO CONSUMER:**  
Keep this manual for future reference.
- **RECORD YOUR SERIAL #** \_\_\_\_\_  
(see silver CSA label on main body of grill)



## WARNING



- Failure to comply with these instructions could result in a fire or explosion that could cause serious bodily injury, death or property damage.
- Whether this grill was assembled by you or someone else, you must read this entire manual before using your grill to ensure the grill is properly assembled, installed and maintained.
- **Use your grill at least 3 feet away from any wall or surface.** Use your grill at least **3 feet away** from combustible objects that can melt or catch fire such as vinyl or wood siding, fences and overhangs or sources of ignition including pilot lights on water heaters and live electrical appliances.
- **THIS GAS APPLIANCE IS DESIGNED FOR OUTDOOR USE ONLY.**
- **Never** use your gas grill in a garage, porch, shed, breezeway or any other enclosed area.
- **Never** obstruct the flow of ventilation air around your gas grill housing.
- **Never** disconnect the gas regulator or any gas fitting while your grill is lit. A lit grill can ignite leaking gas and cause a fire or explosion which could result in property damage, personal injury or death.

Manual # P80165005H - Date: 2007/10/26

Sears, Roebuck and Co., Hoffman Estates, IL 60179, USA [www.sears.com](http://www.sears.com)

## Table of Contents

Primary Safety Warnings .....	1-3
Warranty Terms and Conditions .....	2
Pre-Assembly Instructions .....	3
Part Diagrams and Lists .....	4-8
Assembly Instructions .....	9-15
LP Gas Tank Installation .....	16-18
Use & Care Instructions:	
• Lighting Instructions .....	19
• Troubleshooting .....	20
Cleaning and Maintenance .....	21-22
Cooking Guide .....	A1-A5
Frequently Asked Questions .....	A7-A8

## Warranty

### Kenmore Full Warranty

If this grill fails due to a defect in material or workmanship within one year from the date of purchase, call 1-800-4-MY-HOMER to arrange for free repair (or replacement if repair proves impossible).

### Limited Warranty on Selected Grill Parts

From the date of purchase for the time periods listed below, the following grill parts will be replaced free of charge if they rust through. After the first year from the date of purchase you must pay the labor cost to have them installed.

- **Stainless Burners 10 Years**
- **Stainless Parts 3 Years**
- **Painted Parts 2 Years**
- **Cooking Grids 2 Years**
- **Heat Diffusers 2 Years**

All warranty coverage excludes ignitor batteries and grill part paint loss or surface rusting, which are either expendable parts that can wear out from normal use in less than a year, or are conditions that can be the result of normal use, accident or improper maintenance.

All warranty coverage is void if this grill is ever used for commercial or rental purposes.

All warranty coverage applies only if this grill is used in the United States.

This warranty gives you specific legal rights, and you may have other rights which vary from state to state.

**Sears, Roebuck and Co., Hoffman Estates, IL**



## DANGER



### IF YOU SMELL GAS:

1. **Shut off gas to the appliance.**
2. **Extinguish any open flame.**
3. **Open lid.**
4. **If odor continues, keep away from the appliance and immediately call your gas supplier or your fire department.**



## WARNING



- LPG grill models must be used with Liquid Propane Gas and the regulator assembly supplied. Natural Gas models must be used with Natural Gas only. Any attempt to convert the grill from one fuel type to another is extremely hazardous and will void the warranty.
- Keep gas regulator hose away from hot grill surfaces and dripping grease. Avoid unnecessary twisting of hose. Visually inspect hose prior to each use for cuts, cracks, excessive wear or other damage. If the hose appears damaged do not use the gas grill. Call Grand Hall at 1-800-770-9769 for a certified replacement hose.
- **California Proposition 65**  
Combustion byproducts produced when using this product contain chemicals known to the State of California to cause cancer, birth defects, or other reproductive harm.

Brass components on the grill, such as hose fittings, propane cylinder valves (sold separately) and burner valve stems, contain lead which is known to the State of California to cause cancer, birth defects, or other reproductive harm.

- **Never use charcoal** or lighter fluid in this gas grill. Failure to comply with these instructions could result in a grease fire or explosion that could cause serious bodily injury, death or property damage.
- The Grease Draining Tray and Grease Receptacle must be visually inspected before each grill use. Remove any grease and wash Grease Draining Tray and Grease Receptacle with a mild soap and warm water solution. **Failure to comply with these instructions could result in a grease fire or explosion that could cause serious bodily injury, death or property damage.**

## Pre-Assembly Instructions For Your Safety



### CAUTION



Failure to comply with these instructions may result in a hazardous situation which, if not avoided, may result in injury.

Spiders and small insects can spin webs and nest in the grill Burner Tubes during transit and warehousing which can lead to a gas flow obstruction resulting in a fire in and around the Burner Tubes. This type of "FLASHBACK FIRE" can cause serious grill damage and create an unsafe operating condition for the user.

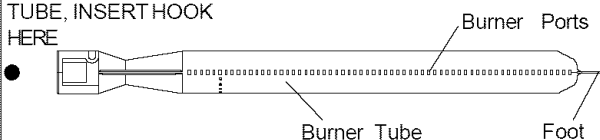
**To reduce the chance of FLASHBACK FIRE you must clean the Burner Tubes as follows before assembling your grill.**

Also do this at least once a month in summer and fall or whenever spiders are active in your area, and if your grill has not been used for an extended period of time.

1. Remove the screw from the rear of each Burner using a Phillips Head Screwdriver.
2. Carefully lift each Burner up and away from the Gas Valve Orifice.
3. Check and clean Burner Tubes for insects and insect nests. A clogged tube can lead to a fire beneath the grill.
4. Refer to the figure below and perform one of these 3 cleaning methods:
  - METHOD 1: Bend a stiff wire or wire coat hanger into a small hook as shown and run the hook through the Burner Tube and inside the Burner several times to remove debris.

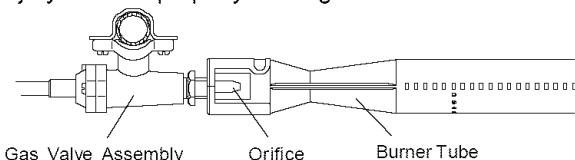


TO CLEAN BURNER TUBE, INSERT HOOK HERE



- METHOD 2: Use a bottle brush with a flexible handle and run the brush through the Burner Tube and inside the Burner several times to remove any debris.
- METHOD 3: Use an air hose to force air through each Burner Tube. The forced air should pass debris or obstructions through the Burner and out the Ports.

For safe operation ensure the Gas Valve Assembly Orifice is inside the Burner Tube before using your grill. See figure. If the Orifice is not inside the Burner Tube, lighting the Burner may cause explosion and/or fire resulting in serious bodily injury and/or property damage.



### WARNING



1. Do not store spare LP cylinder within 10 feet (3m) of this appliance.
2. Do not store or use gasoline or other flammable liquids and vapors within 25 feet (8m) of this appliance.
3. When cooking with oil/grease, do not allow the oil/grease to get hotter than 350°F (117°C).
4. Do not leave oil/grease unattended.



### WARNING



1. Do not store or use gasoline or other flammable liquids in the vicinity of this or any other appliance.
2. An LP cylinder not connected for use shall not be stored in the vicinity of this or any other appliance.

### PRE-ASSEMBLY

Read and perform the following pre-assembly instructions:

- Tools Required for Assembly :
  - protective work gloves
  - protective eyewear
  - #2 & #3 Phillips Head Screwdriver
- You will need assistance from another person to handle the grill head and other large, heavy parts.
- Open Lid of shipping carton and remove parts box and packing materials. Lay cardboard sheet on floor and use as a work surface to protect floor and grill parts from scratches.
- You may slice the carton front corners with a utility knife to lay open the carton front panel. This allows you to raise the grill head Lid and remove the components packed inside, making it easier to lift. Use the sliced off carton front as a work surface to protect floor and grill parts from scratches.
- Use the Hardware and Part Diagrams to ensure all items are included and free of damage.
- Do not assemble or operate the grill if it appears damaged. If there are damaged or missing parts when you unpack the shipping cartons or you have questions during the assembly process, call the: **Grill Information Center 1-888-317-7642**  
8am-8pm CST, Monday through Friday

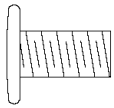
### Grill Installation Codes

The installation must conform with local codes or, in the absence of local codes, with either the National Fuel Gas Code, ANSI Z223.1/NFPA 54, Natural Gas and Propane Installation Code, CSA B149.1, or Propane Storage and Handling Code, B149.2.

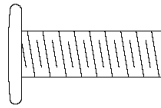
## Hardware Pack Parts List for 141.16313800 & 141.16315800

PART #	PART DESCRIPTION	QTY	PURPOSE OF PART
P06001064B	Hardware Pack	1	For use in assembly of Model 141.16313800
P06001065B	Hardware Pack	1	For use in assembly of Model 141.16315800
P05515101L	Wrench/No.17 Customized	1	Tightens Casters
S112G0432A	Phillips Head Screw 1/4"x2"	8	Attaches Cart Legs with Side Panel to Cart Bottom Shelf
S233G04572	Wing Bolt 1/4"x6-11/16"	1	Secures Gas Tank
S303G0404D	Special Nut 1/4"	1	
S112G0408A	Phillips Head Screw 1/4"x1/2"	4	Attaches Cart Rear Panel to Cart Legs with Side Panel
S112G0432A	Phillips Head Screw 1/4"x2"	4	Attaches Door Bracket to Cart Legs with Side Panels
S112M0405A	Phillips Head Screw M4x5mm	3	Attaches Gas Tank Heat Shield to Right Cart Side Panel and Cart Rear Panel
S112M04084	Phillips Head Screw M4x8mm	4	Attaches Door Handle to Door
S112G0306A	Phillips Head Screw 3/16"x3/8"	4	Attaches Door Hinge Bracket to Cart Leg
S112G0306A	Phillips Head Screw 3/16"x3/8"	2	Attaches Door Guide Plate to Cart Bottom Shelf
S112G0419A	Phillips Head Screw 1/4"x1-3/16"	4	Attaches Bowl to Cart
S112G0412A	Phillips Head Screw 1/4"x3/4"	10	Attaches Side Shelf and Side Burner Frame to Bowl Panel
S275G0305A	Phillips Head Screw 3/16"x5/16"	2	Attaches Lid Wind Shield
P03401373H	Control Knob for Side Burner	1	Attaches to Side Burner Gas Valve Stem
S112M04082	Phillips Head Screw M4x8mm	2	Installs Side Burner Gas Valve to Side Burner Frame
<b>For use in assembly of Model 141.16315800 Only</b>			
S112G0408A	Phillips Head Screw 1/4"x1/2"	7	Attaches Cart Partition Panel and Bracket to Cart

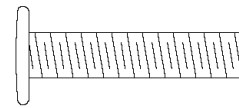
# Hardware Pack Diagram for 141.16313800 & 141.16315800



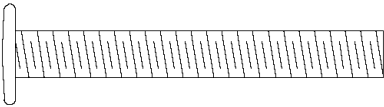
Phillips Head Screw 1/4"x1/2"  
Qty: 4 (Model 141.16313800)  
Qty: 11 (Model 141.16315800)  
Part # S112G0408A  
(Black Painted)



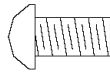
Phillips Head Screw 1/4"x3/4"  
Qty. 10  
Part # S112G0412A  
(Black Painted)



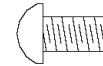
Phillips Head Screw 1/4"x1-3/16"  
Qty. 4  
Part # S112G0419A  
(Black Painted)



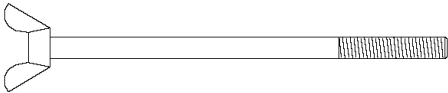
Phillips Head Screw 1/4"x2"  
Qty. 12  
Part # S112G0432A  
(Black Painted)



Phillips Head Screw  
M4x8mm  
Qty. 4  
Part # S112M04084  
Steel Painted



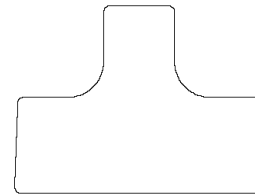
Phillips Head Screw 3/16"x3/8"  
Qty. 6  
Part # S112G0306A  
(Black Painted)



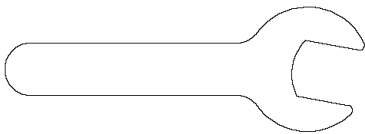
Wing Bolt 1/4"x6-11/16"  
Qty. 1  
Part # S233G04572  
(Black Painted)  
Scale 1:2



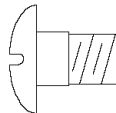
Special Nut 1/4"  
Qty. 1  
Part # S303G0404D  
(Black Painted)  
Scale 1:2



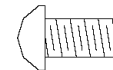
Control Knob for Side Burner  
Qty. 1  
Part # P03401373H  
Scale 1:2



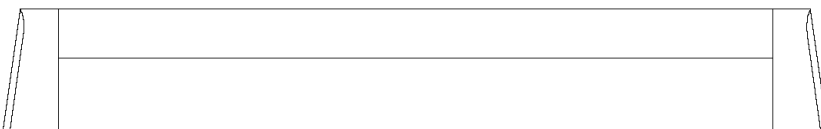
Wrench/No.17 Customized  
Qty. 1  
Part # P05515101L  
Scale 1:2



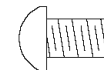
Phillips Head Screw  
3/16"x5/16"  
Qty. 2  
Part # S275G0305A



Phillips Head Screw M4x8mm  
Qty. 2  
Part # S112M04082  
(Black Painted)



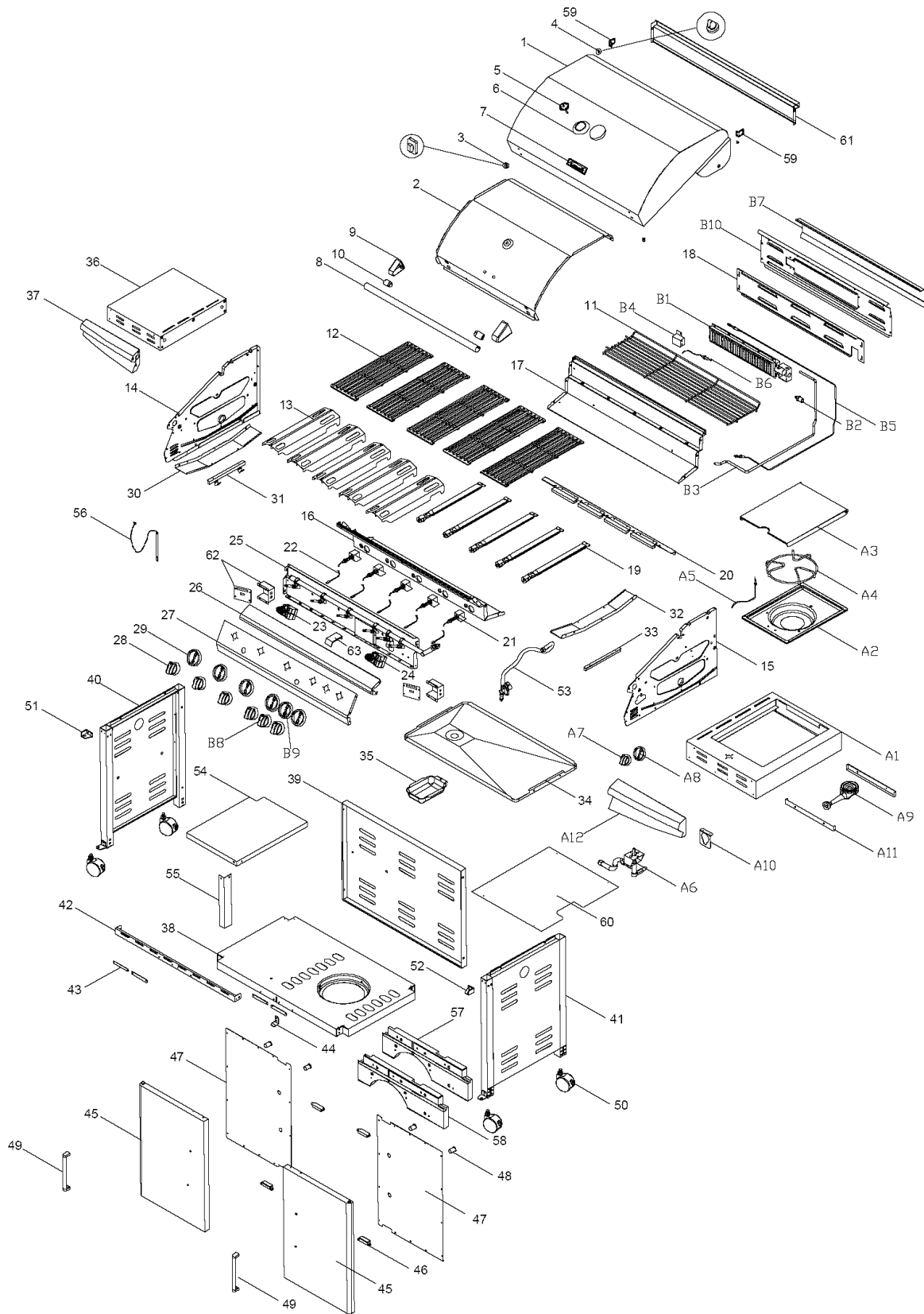
Door Handle  
Qty. 2  
Part # P00201003I  
Scale 1:2



Phillips Head Screw M4x5mm  
Qty. 3  
Part # S112M0405A  
(Black Painted)

\* One Battery/AA included in the Hardware Pack.

# Parts Diagram for Models 141.16313800 & 141.16315800



## Parts List for Models 141.16313800 & 141.16315800

KEY	PART DESCRIPTION	16313800 PART #	QTY	16315800 PART #	QTY
1	Lid	P0014618E4	1	P0014722E4	1
2	Lid Trim Plate	P0011452QJ	1	P0011453QJ	1
3	Protective Pad, Front	P05518026I	2	P05518026I	2
4	Protective Pad, Rear	P05518001I	2	P05518001I	2
5	Temperature Gauge	P00601287C	1	P00601287C	1
6	Temperature Gauge Seat	P00614017E	1	P00614017E	1
7	Name Plate	P00410041C	1	P00410041C	1
8	Lid Handle	P00205098M	1	P00205099M	1
9	Lid Handle Bracket	P03303106A	2	P03303106A	2
10	Lid Handle Heat Insulating Spacer	P06901025A	2	P06901025A	2
11	Cooking Rack/Secondary	P01505008E	1	P01506005G	1
12	Cooking Grid	P01615029H	4	P01615029H	5
13	Heat Diffuser	P01714004E	4	P01714004E	5
14	Bowl Panel, Left	P00720824A	1	P00720824A	1
15	Bowl Panel, Right	P00721834A	1	P00721834A	1
16	Bowl Panel, Front	P00738779A	1	P00738769A	1
17	Bowl Panel, Rear	P00725879A	1	P00725869A	1
18	Bowl Panel Rear/Upper	P06905056B	1	P06905057B	1
19	Burner/Main	P020080364	4	P020080364	5
20	Burner Bracket	P02204202E	1	P02205122E	1
21	Gas Collector Box with Electrode	P02609013M	4	P02609013M	5
22	Electric Wire Set	P02615112A	1	P02615111A	1
23	Electric Ignitor, 6-Port	P02502265C	1	P02502265C	1
24	Electric Ignitor, 2-Port	—	—	P02502252C	1
25	Gas Valve/Manifold Assembly	Y0060503	1	Y0060502	1
26	Decorative Front Cover	P02907867S	1	P02909687S	1
27	Control Panel	P02907857I	1	P02909977I	1
28	Control Knob for Main Burner	P03419483H	4	P03419483H	5
29	Control Knob Seat	P03415073I	4	P03415073I	5
30	Grease Draining Plate, Left	P06901010B	1	P06901010B	1
31	Grease Tray Track, Left	P06901022B	1	P06901022B	1
32	Grease Draining Plate, Right	P06901011B	1	P06901011B	1
33	Grease Tray Track, Right	P06901013B	1	P06901013B	1
34	Grease Draining Tray	P02706247B	1	P02707095B	1
35	Grease Receptacle	P02701087B	1	P02701087B	1
36	Side Shelf, Left	P01102050C	1	P01102050C	1
37	Decorative Panel for Side Shelf, Left	P07503006A	1	P07503006A	1
38	Cart Bottom Shelf	P01002063D	1	P01004066D	1
39	Cart Rear Panel	P07702085B	1	P07702086B	1
40	Cart Legs with Side Panel, Left	P07617040B	1	P07617040B	1
41	Cart Legs with Side Panel, Right	P07618006B	1	P07618006B	1
42	Cart Bracket, Front	P03305028R	1	P03305053R	1
43	Door Stop Plate	P05510002B	4	P05510002B	4
44	Door Guide Plate	P055100064	1	P055100064	1
45	Door	P04301037J	2	P04301038J	2
46	Door Magnet	P05523002K	4	P05523002K	4
47	Door Trim Plate	P07510026N	2	P07510027N	2
48	Door Spacer	P06801010G	4	P06801010G	4
49	Door Handle	P00201003I	2	P00201003I	2

## Parts List for Models 141.16313800 & 141.16315800

KEY	PART DESCRIPTION	16313800 PART #	QTY	16315800 PART #	QTY
50	Caster, 3 in., with Brake	P05106004A	4	P05106004A	4
51	Door Hinge Bracket, Left	P03313004D	1	P03313004D	1
52	Door Hinge Bracket, Right	P03313002D	1	P03313002D	1
53	Regulator with Hose	P03601038A	1	P03601038A	1
54	Cart Partition Panel, Left	—	—	P07512001D	1
55	Cart Partition Panel Bracket, Left	—	—	P03303014J	1
56	Lighting Stick Assembly	P05313010B	1	P05313010B	1
57	Weight A	P05344006Q	1	P05344006Q	1
58	Weight B	P05344005Q	1	P05344005Q	1
59	Lid Wind Shield Bracket	P033280534	2	P033280534	2
60	Gas Tank Heat Shield	P06911004F	1	P06911004F	1
61	Lid Wind Shield	P069060734	1	P069060744	1
62	Electric Ignitor Protector Assembly	P03343005A	1	P03343005A	2
63	Control Panel Bracket	P03327051R	1	P03327051R	1
A1	Side Burner Frame	P01104042C	1	P01104042C	1
A2	Side Burner Body	P02302012D	1	P02302012D	1
A3	Side Burner Lid	P00115345K	1	P00115345K	1
A4	Side Burner Pot Support	P00805013G	1	P00805013G	1
A5	Side Burner Electrode	P02607007A	1	P02607007A	1
A6	Side Burner Gas Valve Assembly with Hose	Y0060504	1	Y0060504	1
A7	Control Knob for Side Burner	P03401373H	1	P03401373H	1
A8	Control Knob Seat	P03432013J	1	P03432013J	1
A9	Side Burner with Brass Ring	P02002055D	1	P02002055D	1
A10	Side Burner Bracket	P02215072E	1	P02215072E	1
A11	Side Burner Body Bracket	P03305011D	2	P03305011D	2
A12	Decorative Panel for Side Burner Frame	P07502016A	1	P07502016A	1
B1	Rotisserie Burner Assembly	P02007069D	1	P02007069D	1
B2	Rotisserie Burner Orifice	P06534012A	1	P06509026A	1
B3	Rotisserie Burner Extension Tube	P03717049B	1	P03717041A	1
B4	Rotisserie Burner Gas Collector Box	P026210044	1	P026210044	1
B5	Rotisserie Burner Thermocouple	P05305025A	1	P05305026A	1
B6	Rotisserie Burner Electrode	P02614050M	1	P02614051M	1
B7	Rotisserie Burner Wind Shield	P06905058B	1	P06905059B	1
B8	Control Knob for Rotisserie Burner	P03419493H	1	P03419493H	1
B9	Control Knob Seat	P03415073I	1	P03415073I	1
B10	Rotisserie Burner Frame	P02011057E	1	P02011058E	1
	Hardware Pack	P06001064B	1	P06001065B	1
	Use and Care Guide	P80165005H	1	P80165005H	1

For the repair or replacement parts you need:

Call anytime **1-800-4-MY-HOME**® (1-800-469-4663)

To obtain the correct replacement parts for your gas grill, please refer to the part numbers in this parts list. The following information is required to ensure you receive the correct parts:

1. Model and Serial Number (see CSA label on grill)
2. Part Number
3. Part Description
4. Quantity of parts needed

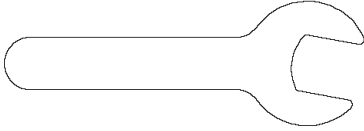
**Important:** Use only Kenmore replacement parts. The use of any part that is not a Kenmore replacement part can be dangerous and will also void your product warranty. Keep this Operator's Manual for convenient referral and for part replacement.



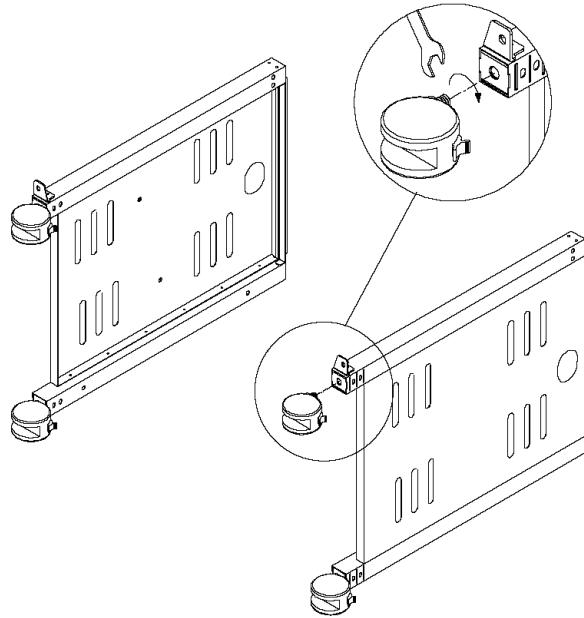
# Assembly Instructions

## 1 Install Casters

- Place the Cart Side Panels on the cardboard. Install the 4 Casters into the Caster Seats as shown.



Wrench/No.17 Customized  
Qty. 1  
Part # P05515101L  
Scale 1:2



## 2 Install Cart Side Panels to Cart Bottom Shelf

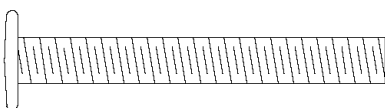
- Screw the Wing Bolt and Special Nut to Cart Bottom Shelf.
- Install the left and right Cart Side Panels (parts are labeled L or R) to Cart Bottom Shelf. (Note: Be sure not to tighten securely until Rear Panel is attached).



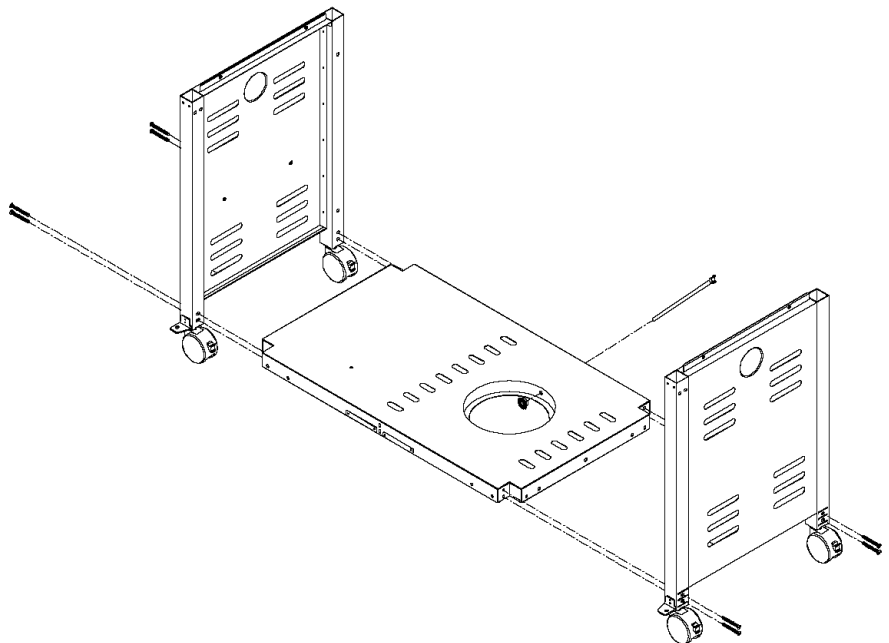
Special Nut 1/4"  
Qty. 1  
Part # S303G0404D  
(Black Painted)  
Scale 1:2



Wing Bolt 1/4"x6-11/16"  
Qty. 1  
Part # S233G04572  
(Black Painted)  
Scale 1:2



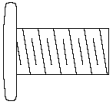
Phillips Head Screw 1/4"x2"  
Qty. 8  
Part # S112G0432A  
(Black Painted)



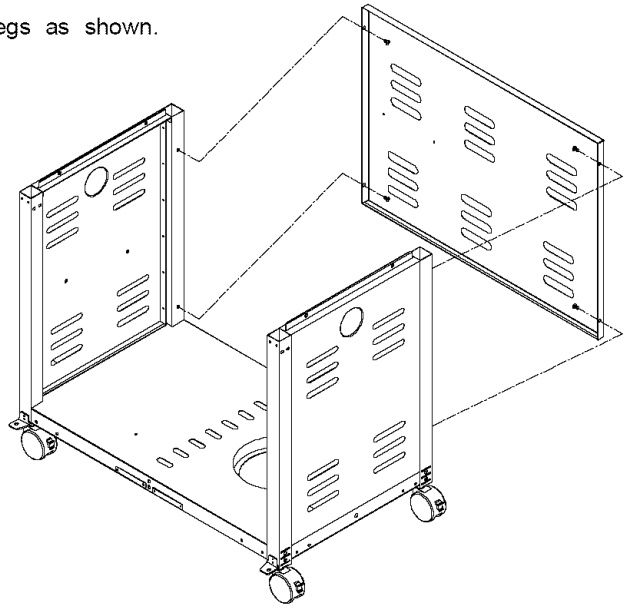
### 3

#### Install Cart Rear Panel

- Install the Cart Rear Panel between rear cart Legs as shown.
- Tighten all screws securely.



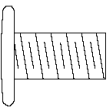
Phillips Head Screw 1/4"x1/2"  
Qty. 4  
Part # S112G0408A  
(Black Painted)



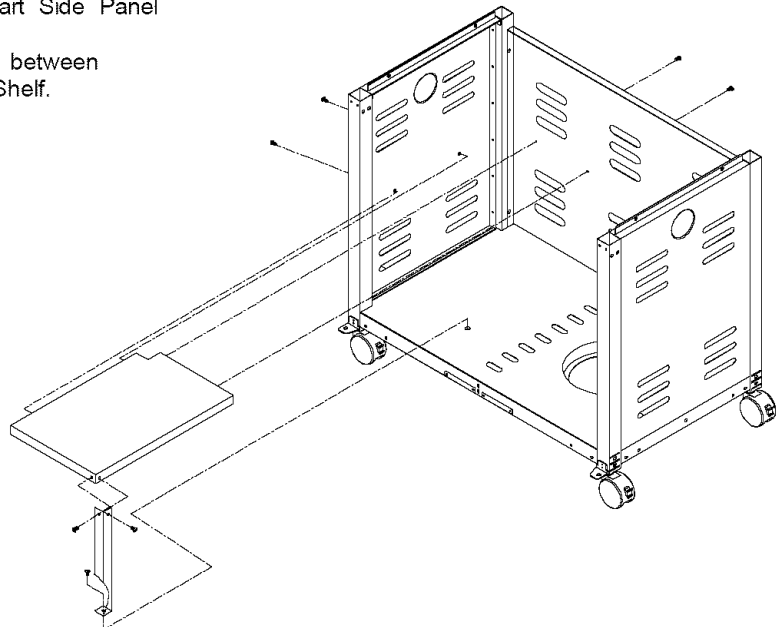
### 4

#### Install Partition Panel (For Model 141.16315800 only)

- Install the Partition Panel to Left Cart Side Panel and Cart Rear Panel.
- Install the Partition Panel Bracket between Partition Panel and Cart Bottom Shelf.



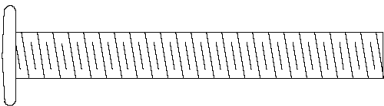
Phillips Head Screw 1/4"x1/2"  
Qty. 7  
Part # S112G0408A  
(Black Painted)



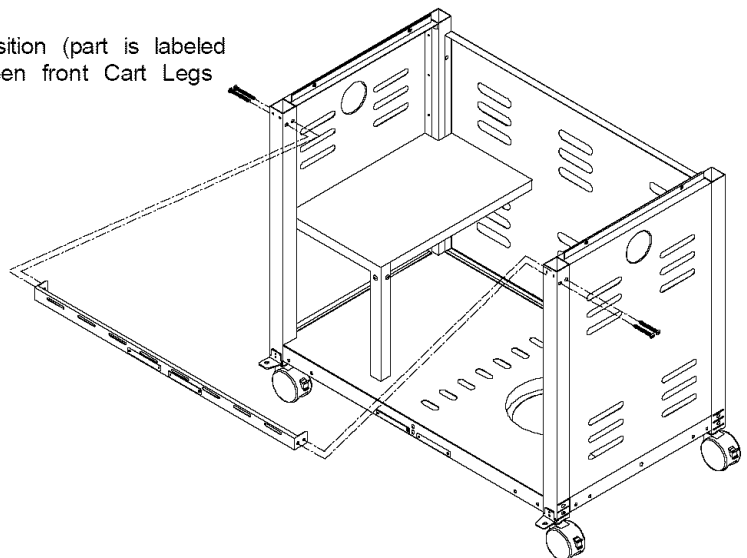
### 5

#### Install Door Bracket

- Install the Door Bracket in the up position (part is labeled UP to ensure proper assembly) between front Cart Legs as shown.



Phillips Head Screw 1/4"x2"  
Qty. 4  
Part # S112G0432A  
(Black Painted)

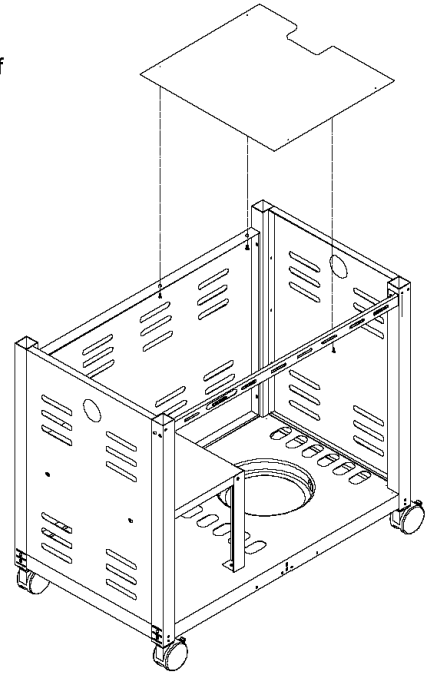


## 6 Install Gas Tank Heat Shield

- Align the 3 holes on Gas Tank Heat Shield with the Cart Rear Panel and Front Cart Bracket.
- Insert the 3 Phillips Head Screws M4x5mm from underside of the Gas Tank Heat Shield and tighten securely.

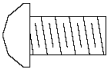


Phillips Head Screw M4x5mm  
Qty. 3  
Part # S112M0405A  
(Black Painted)



## 7 Install Doors

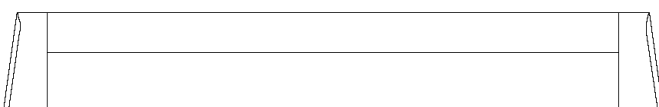
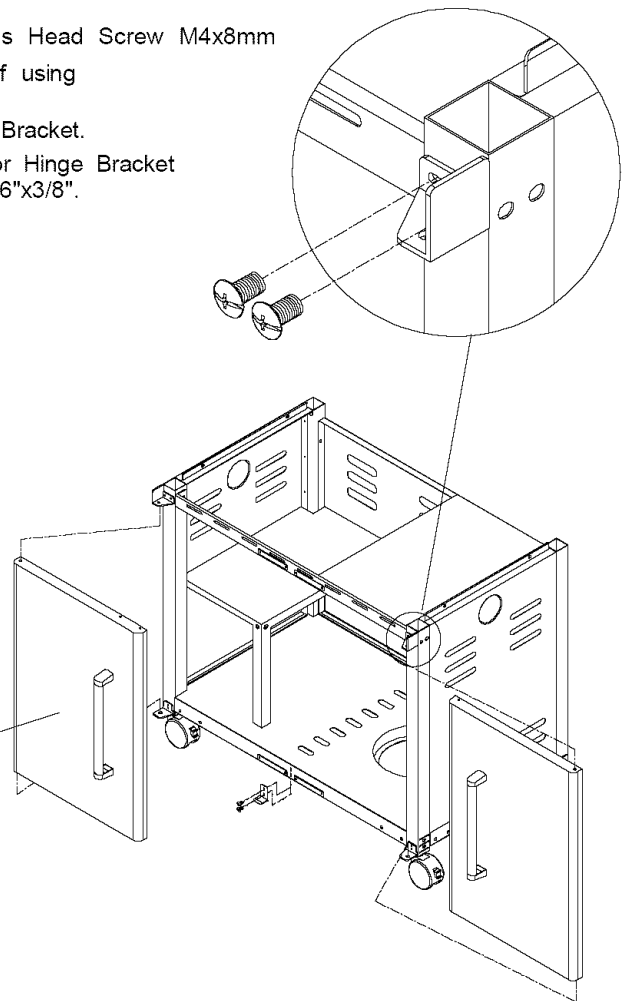
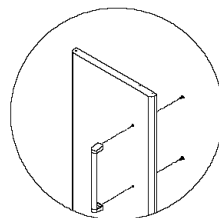
- Install the Door Handle to Right Door using Phillips Head Screw M4x8mm
- Install the Door Guide Plate to Cart Bottom Shelf using Phillips Head Screw 3/16"x3/8"
- Insert Door bottom post into Bottom Door Hinge Bracket.
- Hold the Right Door and install the Right Top Door Hinge Bracket to Right Cart Leg using Phillips Head Screw 3/16"x3/8".
- Repeat steps for Left Door.  
(Note: Rating Label on the right door.)



Phillips Head Screw M4x8mm  
Qty. 4  
Part # S112M04084  
(Steel Painted)



Phillips Head Screw 3/16"x3/8"  
Qty. 6  
Part # S112G0306A  
(Black Painted)

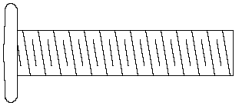


Door Handle  
Qty. 2  
Part # P00201003I  
Scale 1:3

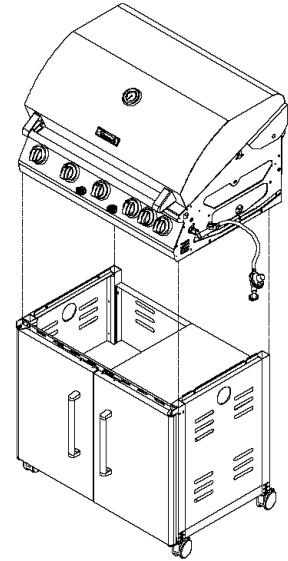
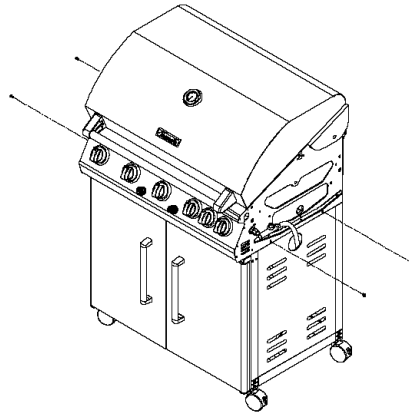
## 8

### Install Grill Bowl

- Remove cooking components from Grill Head. With an assistant, lift and position Grill Head on the Cart.
- Tighten securely using Phillips Head Screw 1/4"x1-3/16".



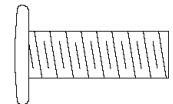
Phillips Head Screw 1/4"x1-3/16"  
Qty. 4  
Part # S112G0419A  
(Black Painted)



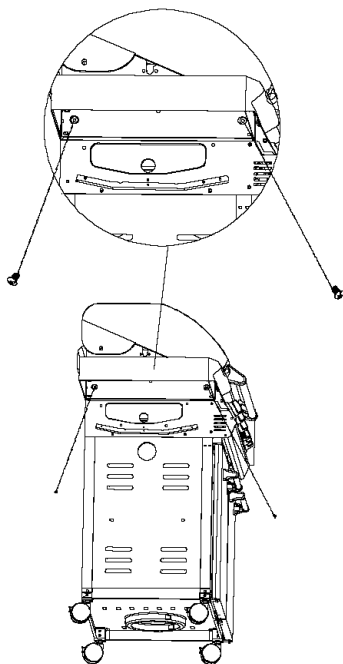
## 9

### Install Side Shelf and Side Burner Frame

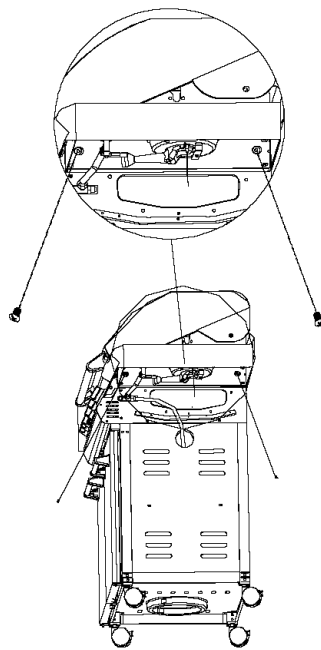
- Align the 2 holes on Front and Rear Bowl Panels and 3 holes on Left Bowl Panel with the threaded holes on Left Side Shelf. Insert the 3 Phillips Head Screws 1/4"x3/4" from the inside of the grill bowl.
- Align the 2 holes on underside of Left Side Shelf with the threaded holes on Left Bowl Panel. Insert the 2 Phillips Head Screws 1/4"x3/4" and tighten securely.
- Repeat for Right Side Burner Frame (Right Side Shelf).



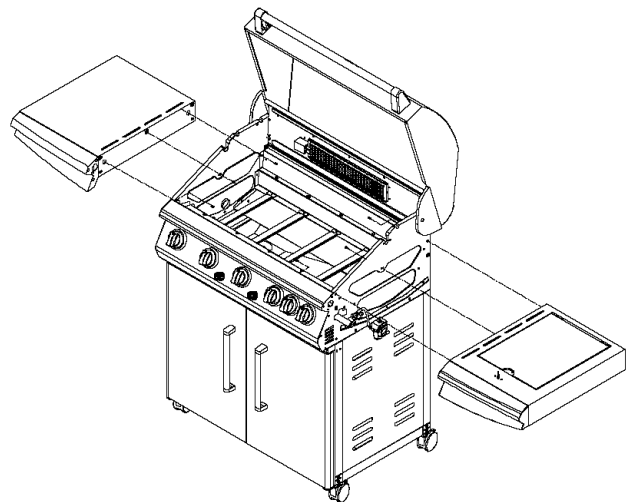
Phillips Head Screw 1/4"x3/4"  
Qty. 10  
Part # S112G0412A  
(Black Painted)



Inner side view of Left Side Shelf



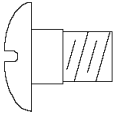
Inner side view of Right Side Burner Frame (Right Side Shelf)



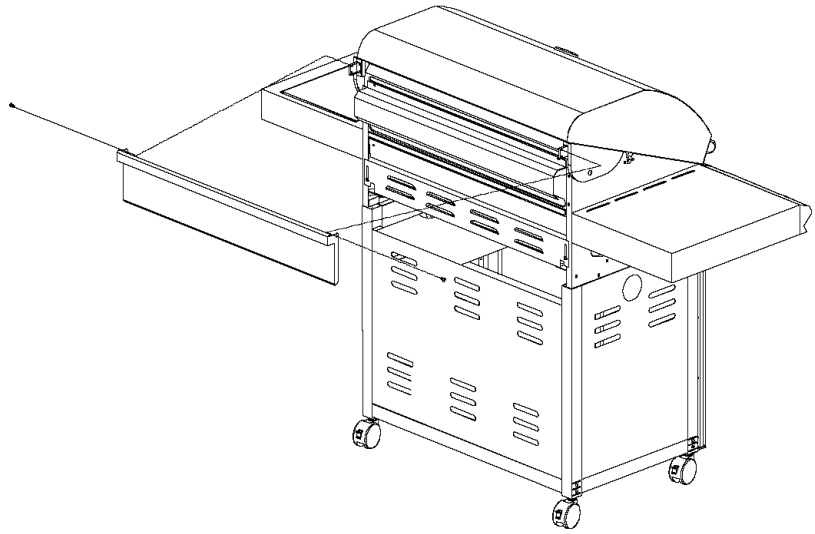
# 10

## Install Lid Wind Shield

- Align the 2 holes on Rear Lid Wind Shield with the upper threaded holes on Rear Lid Wind Shield Bracket. Insert the 2 Phillips Head Screws 3/16"x5/16" and tighten securely.



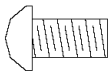
Phillips Head Screw  
3/16"x5/16"  
Qty. 2  
Part # S275G0305A



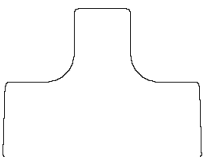
# 11

## Install Side Burner Gas Valve and Side Burner Electrode Wire

- Cut fastening strap that secures pot support to burner.
- Insert the Side burner Gas Valve Assembly into Side Burner Tube (See Figure 1). Be sure the orifice is inside the Burner Tube properly (see warning on Page 3), or lighting the burner may cause explosion and/or fire.
- Insert the Side Burner Gas Valve Assembly through the Side Burner Gas Valve Hole on the Side Burner Frame. Align the 2 holes on the Side Burner Frame with the threaded holes on the Side Burner Gas Valve Bracket. Then insert 2 Phillips Head Screws M4x8mm provided and tighten securely.
- Fasten the Control Knob onto the Side Burner Gas Valve Stem. Be sure that the OFF position faces the Burner.
- Push the Socket of Side Burner Electrode Wire into Plug. (See figure 2).



Phillips Head Screw M4x8mm  
Qty. 2  
Part # S112M04082  
(Black Painted)



Control Knob for Side Burner  
Qty. 1  
Part # P03401373H  
Scale 1:2

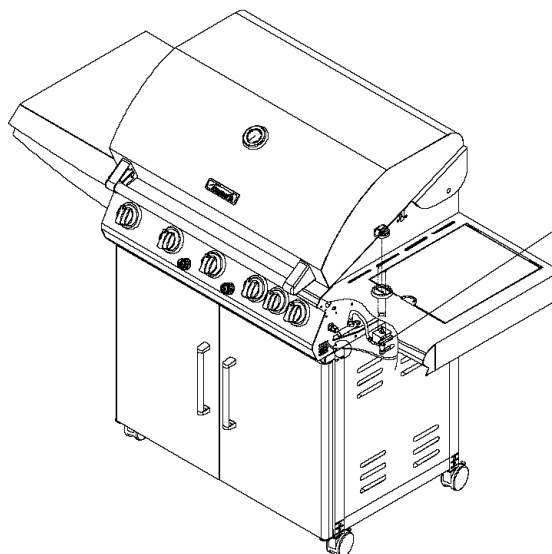


Figure 1

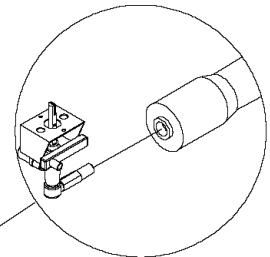
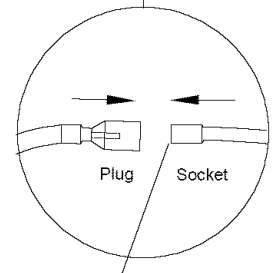


Figure 2



Side Burner Electrode Wire

# 12

## Install Grease Draining Tray

- Loosen screws and raise Rear Upper Bowl Panel.
- Slide the Tray side tabs over the side rails underneath the Grill Bowl. (See Figure 3).
- Slide the Rear Upper Bowl Panel down and tighten screws securely. (see Figure 4).
- Install Grease Receptacle under the Grease Draining Tray from the front of grill. (See figure 5).

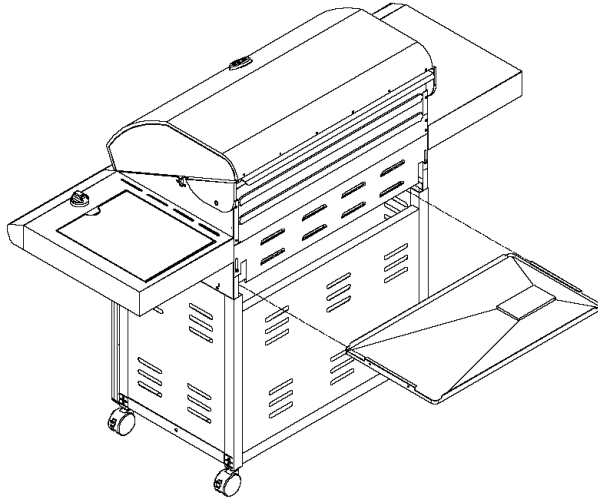


Figure 3

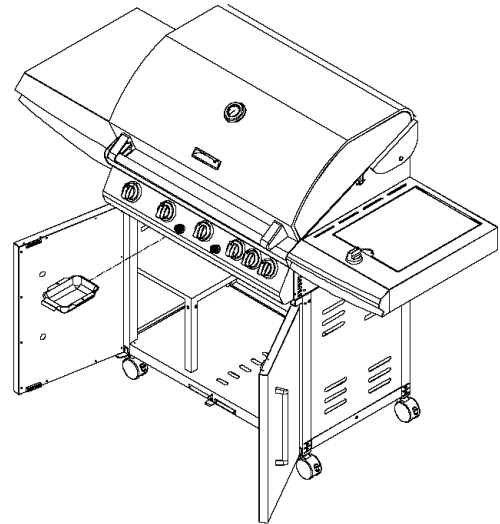


Figure 5

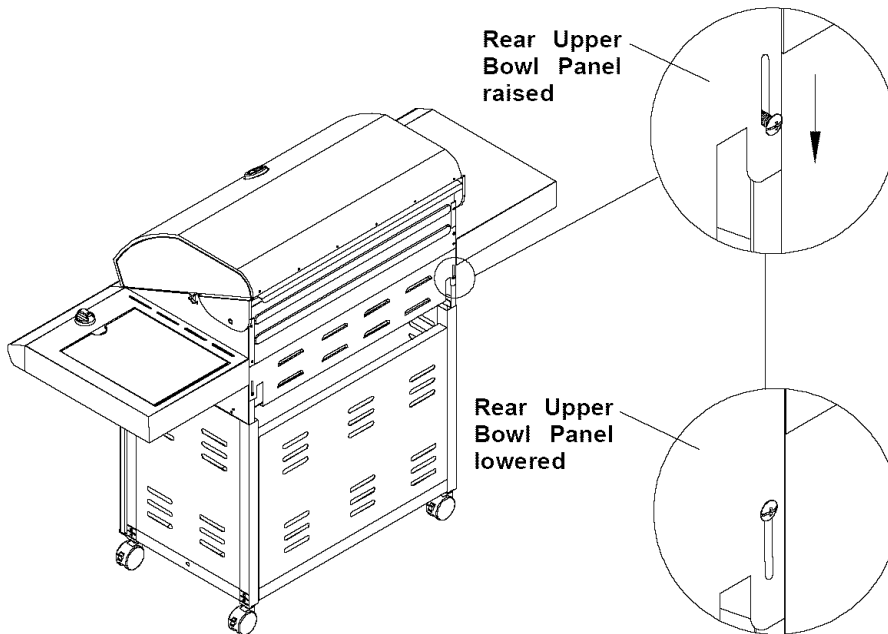


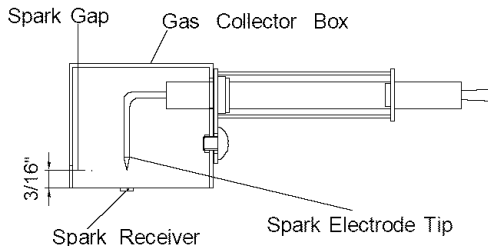
Figure 4

### 13 Install Ignitor Battery

- Unscrew Ignitor Cap from Control Panel.
- Place supplied AA battery into the Ignitor Slot with positive pole facing you.
- Position the Cap and Spring over the AA battery and tighten onto Control Panel.

### 14 Main Burners Electrode Check Perform this Electrode Check with the assistance of another person.

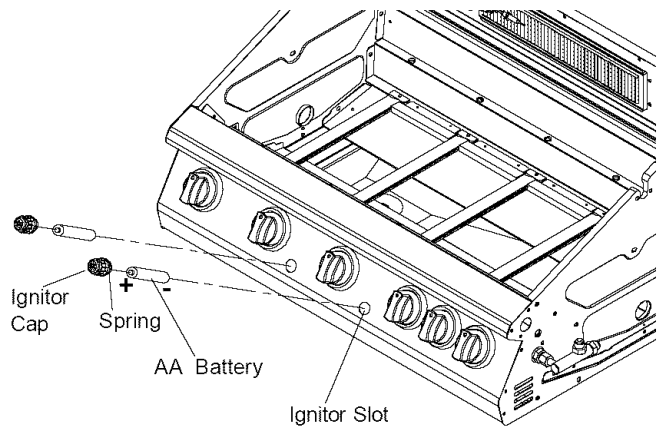
This test will ensure that the Spark Electrode Tips are properly positioned so your grill lights easily and properly.



- Be sure all Control Knobs are set to "OFF" and open the Grill Lid.
- Have your assistant stand behind to the right of the grill and look toward the front of the grill bowl. **Never** put your face inside the Grill Bowl.
- Press the Ignitor Cap. You should hear a "clicking" sound. Your assistant should see a blue spark within each Gas Collector Box. If a spark is present the Electrode Tips are properly positioned.
- If no spark is seen, the Spark Gap needs to be adjusted as follows:
  - Using an adjustable wrench, loosen the Inside Nut until the Gas Collector Box can be turned upward.
  - If the gap between the Spark Electrode Tip and Receiver is more than 3/16" use long nose pliers to gently squeeze the Gas Collector Box to narrow gap.
  - Return the Gas Collector Box to its original position, secure the Inside Nut and try the Electrode Check again. If no "clicking" sound is heard:
    - AA Battery may be installed backwards.
    - Electric wires may be loose. Remove the AA Battery and inspect the Ignitor Junction Box found behind the Control Panel and reconnect any loose wires.

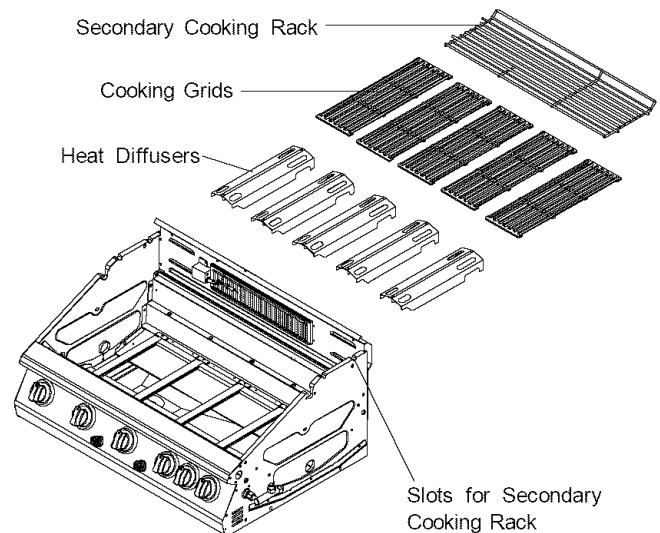
### 15 Side Burner and Rotisserie Burner Electrode Check

- Open side burner lid. Remove plastic shipping band from burner and pot support.
- Turn side burner Control Knob to IGN and push in. Look for spark between tip of electrode and burner.
- Open Grill Lid. Turn rotisserie burner Control Knob to IGN and push in. Look for spark between tip of electrode and burner.
- If you don't see a spark from side or rotisserie burner electrode, adjust gap between electrode and burner surface to 3/16 in.



### 16 Install Cooking Components

- Place the Heat Diffusers on lower ledge above Burners.
- Place Cooking Grids on bowl ledge.
- Place the Secondary Cooking Rack into the slots on Grill Bowl Side Panels.



Model 141.16315800

### Final Grill Assembly Step

When you have finished assembling your grill be sure that all screws are tightened for safe operation of your grill.



**WARNING**




Failure to read and follow the Use and Care Instructions could result in a fire or explosion that could cause serious bodily injury, death or property damage.


## LP Gas Tank Installation

### CORRECT LP GAS TANK USE

- LP Gas grill models are designed for use with a standard 20 lb. Liquid Propane Gas (LP Gas) tank, not included with grill. **Never** connect your gas grill to an LP Gas tank that exceeds this capacity. A tank of approximately 12 inches in diameter by 18-1/2 inches high is the maximum size LP Gas tank to use. **You must use an "OPD" gas tank which offers a listed Overfill Prevention Device.** This safety feature prevents tank from being overfilled which can cause malfunction of LP Gas tank, regulator and/or grill.
- The LP Gas tank must be constructed and marked in accordance with the Specifications for LPGas Cylinders of the U.S. Department of Transportation (D.O.T.) or the **National Standard of Canada, CAN/CSA-B339, Cylinders, Spheres and Tubes for Transportation of Dangerous Goods;** and Commission, as applicable.
- The LP Gas tank must have a shutoff valve, terminating in an LP Gas supply tank valve outlet, that is compatible with a Type 1 tank connection device. The LP Gas tank must also have a safety relief device that has a direct connection with the vapor space of the tank.
- The tank supply system must be arranged for vapor withdrawal.
- The LP Gas tank used must have a collar to protect the tank valve.
- Never** connect an unregulated LP gas tank to your gas grill. The gas regulator assembly supplied with your gas grill is adjusted to have an outlet pressure of 11" water column (W.C.) for connection to an LP gas tank. Only use the regulator and hose assembly supplied with your gas grill. **Replacement regulators and hose assemblies must be those specified by Kenmore.** See Parts List.
- Have your LP Gas dealer check the release valve after every filling to ensure it remains free of defects.
- Always keep LP Gas tank in upright position.
- Do not subject the LP Gas tank to excessive heat.
- Never store an LP Gas tank indoors. If you store your gas grill in the garage **always** disconnect the LP Gas tank first and store it safely outside.
- LP Gas tanks must be stored outdoors in a well-ventilated area and out of the reach of children.
- Disconnected LP Gas tanks must not be stored in a building, garage or any other enclosed area.
- The regulator and hose assembly can be seen after opening the doors (if applicable) and must be inspected before each use of the grill. If there is excessive abrasion or wear or if the hose is cut, it must be replaced prior to using the grill again.
- Never** light your gas grill with the lid closed or before checking to ensure the burner tubes are fully seated over the gas valve orifices.
- Never** allow children to operate your grill. Do not allow children or pets to play near your grill.
- Use of alcohol, prescription or non-prescription drugs can impair your ability to properly assemble and safely operate your grill.
- Keep fire extinguisher readily accessible. In the event of a oil/grease fire, do not attempt to extinguish with water. Use type B extinguisher or smother with dirt, sand or baking soda.
- In the event of rain, cover the grill and turn off the burner and gas supply.
- Use your grill on a level, stable surface in an area clear of combustible materials.
- Do not leave grill unattended when in use.
- Do not move the appliance when in use.
- Allow the grill to cool before moving or storing.
- Do not use your grill as a heater.
- This grill is not intended to be installed in or on recreational vehicles and/or boats.




### WARNING




A. Do not store a spare LP-Gas tank under or near this appliance.

B. Never fill the tank beyond 80 percent full; and

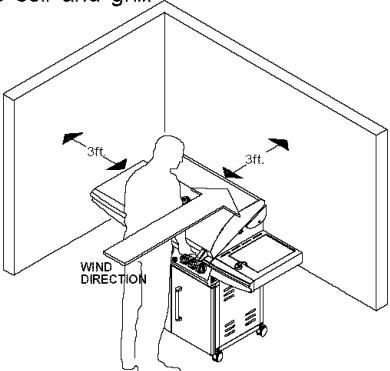
C. If the information in "(a)" and "(b)" is not followed exactly, a fire causing death or serious injury may occur.



### WARNING



- **Use your grill at least 3 feet away from any wall or surface.** Use your grill at least **3 feet away** from combustible objects that can melt or catch fire such as vinyl or wood siding, fences and overhangs or sources of ignition including pilot lights on water heaters and live electrical appliances.
- Outdoor cooking gas appliance shall not be used under overhead combustible construction.
- **Never** use your gas grill in a garage, porch, shed, breezeway or any other enclosed area.
- **Never** obstruct the flow of ventilation air around your gas grill housing.
- In **windy conditions**, always position the front of grill to face oncoming wind to reduce smoke and heat blowing in your face and prevent potential hazards to self and grill.





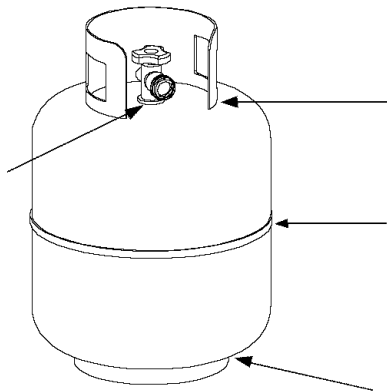
### NOTE about LP Gas Tank Exchange Programs

- Many retailers that sell grills offer you the option of replacing your empty LP Gas tank through an exchange service. Use only those reputable exchange companies that inspect, precision fill, test and certify their tanks. Exchange your tank only for an OPD safety feature-equipped tank as described in the LP Gas tank section of this manual.
- Always keep new and exchanged LP Gas tanks in an upright position during use, transit or storage.
- Leak test new and exchanged LP Gas tanks BEFORE connecting one to your grill.

### How to Leak Test your LP Gas Tank

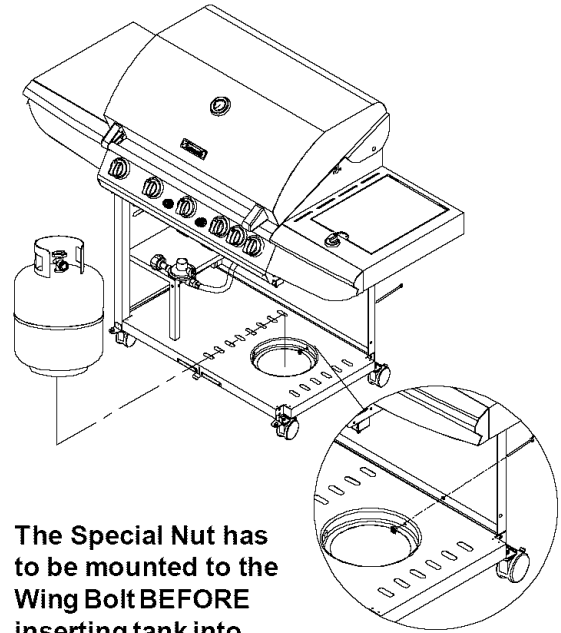
#### For your safety:

- All leak tests must be repeated each time your LP Gas tank is exchanged or refilled.
- When checking for gas leaks do not smoke.
- Do not use an open flame to check for gas leaks.
- Your grill must be leak tested outdoors in a well-ventilated area, away from ignition sources such as gas fired or electrical appliances. During the leak test, keep your grill away from open flames or sparks.
- Do not use household cleaning agents. Damage to gas assembly components can result.
  - Use a clean paintbrush and a 50/50 mild soap and water solution.
  - Brush soapy solution onto LP Gas tank in the areas indicated by the arrows. See diagram.
  - If growing bubbles appear do not use or move the LP Gas tank. Call an LP Gas Supplier or your Fire Department.

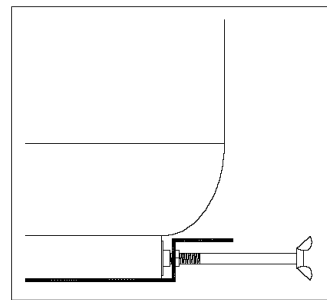


### To Install LP Gas Tank: Secure a 20lb LP Gas Tank to Gas Grill

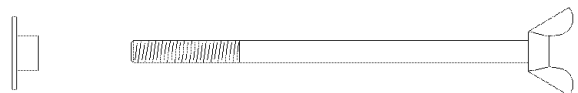
- Screw the Wing Bolt and Special Nut to Cart Bottom Shelf.
- Turn your LP Gas Tank Valve clockwise to the closed or OFF position.
- Place LP Gas tank into tank hole on bottom shelf or (on select models) slide the Tank Tray out of the cabinet until it is fully extended. The Tank Tray has an auto lock position and may need to be pulled firmly.
- Install the tank so the Tank Valve faces the front right corner of cabinet.
- Secure Gas Tank with Special Nut and Wing Bolt.



**The Special Nut has to be mounted to the Wing Bolt BEFORE inserting tank into tank hole.**



**With the Special Nut, the Wing Bolt holds the tank foot firmly.**



Special Nut 1/4"  
Qty. 1  
Part. # S303G0404D  
(Black Painted)  
Scale 1:2

Wing Bolt 1/4"x6-11/16"  
Qty. 1  
Part. # S233G04572  
(Black Painted)  
Scale 1:2

WARNING

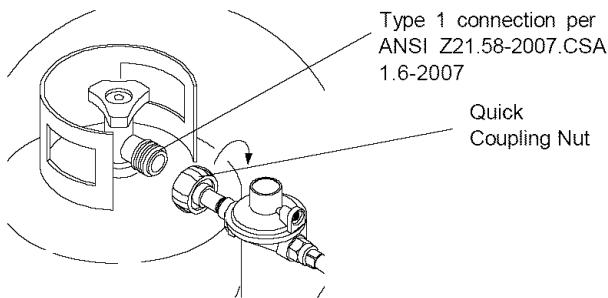
If growing bubbles appear do not use or move the LP Gas tank. Contact an LP Gas Supplier or your fire department!

**NOTE:** Many different size propane gas tank bottom collars are available in the market, especially with the popularity of tank exchange programs. If your tank bottom collar does not fit into the tank hole after attaching the special nut to the wing bolt, simply remove the special nut and secure the tank using the wing bolt only.

## LP Gas Model only:

### Connect Regulator with Hose to your LP Gas Tank

- Turn all Burner Valves to the OFF position.
- Inspect the valve connection port and regulator assembly for damage or debris. Remove any debris. Never use damaged or plugged equipment.
- Connect the regulator assembly to the tank valve and HAND TIGHTEN nut clockwise to a full stop. DO NOT use a wrench to tighten because it could damage the Quick Coupling Nut and result in a hazardous condition.
- Open the tank valve 1/4 to 1/2 of a turn (counterclockwise) and use a soapy water solution to check all connections for leaks before attempting to light your grill. See "Checking for LP Gas Leaks". If a leak is found, turn the tank valve off and do not use your grill until the leak is repaired.

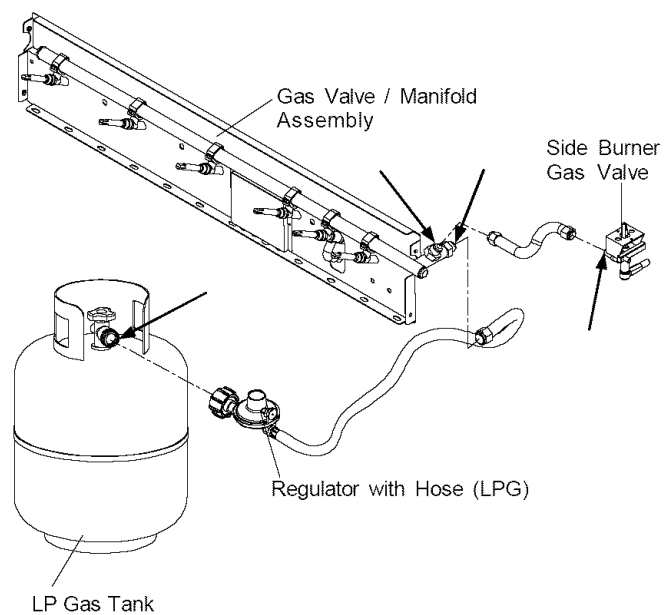




**CAUTION:** When the appliance is not in use the gas must be turned off at the tank. Place dust cap on cylinder valve outlet whenever the cylinder is not in use. Only install the type of dust cap on the cylinder valve outlet that is provided with the cylinder valve. Other types of caps or plugs may result in leakage of propane.

### Check all connections for LP Gas Leaks

Never test for leaks with a flame. Prior to first use, at the beginning of each season, or every time your LP Gas tank is changed, you must check for gas leaks. Follow these three steps:

- Make a soap solution by mixing one part liquid detergent and one part water.
- Turn the grill Control Knobs to the full OFF position, then turn the gas ON at source.
- Apply the soap solution to all gas connections indicated by the arrows. See diagram. If bubbles appear in the soap solution the connections are not properly sealed. Check each fitting and tighten or repair as necessary.



	<b>WARNING</b>	
<p>If you have a gas leak that cannot be repaired by tightening, turn off the gas at the source, disconnect fuel line from your grill and call 1-800-4-MY-HOME® or your gas supplier for repair assistance.</p>		



### Disconnecting A Liquid Propane Gas (LPG) Tank From Your Grill

- Make sure the Burner Valves and LP Gas tank valve are off. (Turn clockwise to close.)
- Detach the hose and regulator assembly from the LP Gas tank valve by turning the Quick Coupling Nut counterclockwise.

# USE AND CARE INSTRUCTIONS

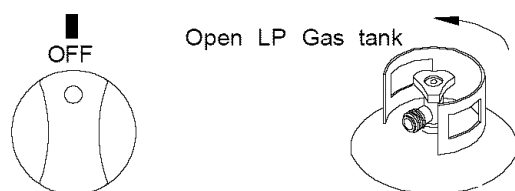
## Grill Lighting Instructions

1. Before each use, check all hoses for cracks, nicks, cuts, burns or abrasions. If a hose is damaged in any way, do not use your grill before replacing the hose with an authorized part from the Parts List. Also make sure all gas supply connections are securely tightened.
2. Familiarize yourself with the safety and Use and Care instructions in this manual. Do not smoke while lighting grill or checking gas supply connections.
3. Be sure the LP Gas tank is filled.
4. Open the Grill Lid.

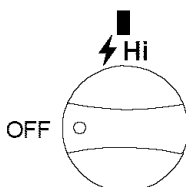
**WARNING**

Failure to replace a faulty hose, secure gas supply connections or to open the Lid before proceeding to the Lighting Procedures could result in a fire or explosion that could cause serious bodily injury, death, or property damage.

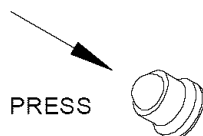
5. Set Control Knobs to OFF and open the LP Gas tank valve **SLOWLY 1/4 of a turn**.



6. Push and turn the Control Knob to Hi.



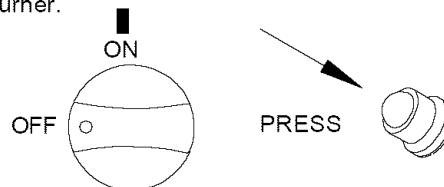
7. Immediately press the Electric Ignitor for 3-4 seconds to light the Burner.



8. If ignition does not occur in 5 seconds, turn gas off at source and turn Control Knobs OFF. Wait at least 5 minutes for gas to clear, then retry. If your grill still fails to light turn the burner Control Knob(s) and gas source OFF and conduct a leak test of ALL gas connections and gas sources as explained in the Use and Care section of this manual. If no leaks are detected, wait 5 minutes for any gas to clear and repeat the lighting procedure.
9. After one Burner is lit, turn the tank valve **SLOWLY** one more 1/4 of a turn.
10. Turn other burners to **Hi** to light as you move towards the fuel source.

## Rotisserie Burner Lighting Instructions

1. Follow steps 1 through 4 of the Grill Lighting Instructions.
2. Push and turn the Control Knob to ON. Immediately press the Electric Ignitor for 10 seconds to light the Burner.



3. If ignition does not occur in 5 seconds, turn gas off at source and turn Control Knobs OFF. Wait at least 5 minutes for gas to clear, then retry. If your grill still fails to light turn the Control Knob and gas source OFF and conduct a leak test as explained in the Use and Care section of this manual. If no leaks are detected, wait 5 minutes for any gas to clear and repeat the lighting procedure.
4. After Burner is lit, turn the tank valve **SLOWLY** one more 1/4 of a turn.

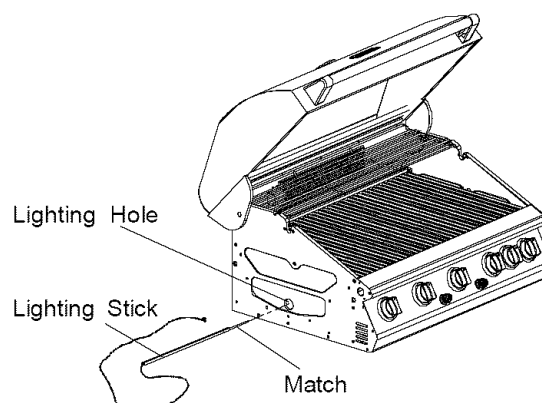
**IMPORTANT:** Do not use the Rotisserie Burner and Main Burners at the same time. Backburner is for Rotisserie Cooking only.

## Side Burner Lighting Instructions

1. Follow steps 1 through 4 of the Grill Lighting Instructions.
2. Open Side Burner Lid.
3. Set Control Knobs to OFF and open the LP Gas tank valve **SLOWLY 1/4 of a turn**.
4. Push and turn the Control Knob to **Hi**.
5. Immediately press the Electric Ignitor for 3-4 seconds to light the Burner.
6. If ignition does not occur, turn gas off at source and turn Control Knobs OFF. Wait at least 5 minutes for gas to clear, then retry. If your grill still fails to light turn the burner Control Knob and gas source OFF and conduct a leak test as explained in the Use and Care section of this manual. If no leaks are detected, wait 5 minutes for any gas to clear and repeat the lighting procedure.

## Manually Lighting Your Grill By Paper Match

To light your gas grill by match, insert a match into the Lighting Stick and follow steps 1 through 6 of the Grill Lighting Instructions. Then, light the match and place Lighting Stick through the Lighting Hole on the left side of the grill as shown below. Turn the nearest Control Knob to the **Hi** setting to release gas. The Burner should light immediately.



# USE AND CARE INSTRUCTIONS

## Troubleshooting

### If the grill fails to light :

1. Turn gas off at source and turn Control Knobs to OFF. Wait at least 5 minutes for gas to clear, then retry.
2. If your grill still fails to light, check gas supply and connections.
3. Repeat lighting procedure. If your grill still fails to operate, turn the gas off at source, turn the Control Knobs to OFF, then check the following:

- Misalignment of Burner Tubes over Orifices  
**Correction:** Reposition Burner Tubes over Orifices.
- Obstruction in gas line  
**Correction:** Remove fuel line from grill. Do not smoke! Open gas supply for one second to clear any obstruction from fuel line. Close off gas supply at source and reconnect fuel line to grill.
- Plugged Orifice  
**Correction:** Remove Burners from grill by removing the screw from the rear of each Burner using a Phillips Head Screwdriver. Carefully lift each Burner up and away from gas valve Orifice. Remove the Orifice from gas valve and gently clear any obstruction with a fine wire. Then reinstall all Orifices, Burners, Cotter Pins and cooking components.

If an obstruction is suspected in Gas Valves or Manifold, call the Grill Information Center.

- Obstruction in Burner Tubes  
**Correction:** Follow the Burner Tube cleaning procedure on **page 22** of this Operator's Manual.
- Misalignment of Ignitor on Burner  
**Correction:** Check for proper position of the Electrode Tip as shown in **step 15 page 15**. The gap between the Spark Electrode Tip and Spark Receiver should be approximately 3/16". Adjust if necessary. With the gas supply closed and all Control Knobs set to OFF press the Electric Ignitor cap and check for the presence of a spark at the Electrode.
- Disconnected Electric Wires  
**Correction:** Inspect the Electric Ignitor (see Parts List) found behind the Control Panel. Connect loose Electric wires to Junction Box and try to light the grill.
- Weak AA battery  
**Correction:** Unscrew the Ignitor Cap and replace the battery.
- If the grill still does not light you may need to purge air from the gas line or reset the regulator excess gas flow device. **Note:** This procedure should be done every time a new LP Gas tank is connected to your grill.

### To purge air from your gas line and/or reset the regulator excess gas flow device:

- Turn Control Knobs to the OFF position.
- Turn off the gas at the tank valve.
- Disconnect regulator from LP Gas tank.
- Let unit stand 5 minutes to allow air to purge.
- Reconnect regulator to the LP Gas tank.
- Turn tank valve on SLOWLY 1/4 of a turn.
- Open the Grill Lid.
- Push and turn the LEFT Control Knob to **Hi**.
- Press Electric Ignitor for 3-4 seconds to light the burners.



**Never** lean over the grill cooking area while lighting your gas grill. Keep your face and body a safe distance (at least 18 inches) from the Lighting Hole or Burners when lighting your grill by match.



Should a FLASHBACK fire occur in or around the Burner Tubes, follow the instructions below. Failure to comply with these instructions could result in a fire or explosion that could cause serious bodily injury, death, or property damage.

- Shut off gas supply to the gas grill.
- Turn the Control Knobs to OFF position.
- Open the Grill Lid.
- Put out any flame with a Class B fire extinguisher.
- Once the grill has cooled down, clean the Burner Tubes and Burners according to the cleaning instructions in this Operator's Manual.

**For repair or replacement parts that you need call anytime day or night**

**1-800-4-MY-HOME<sup>®</sup> (1-800-469-4663)**

## CLEANING AND MAINTENANCE

Proper care and maintenance will keep your grill in top operating condition and prolong its life. Follow these cleaning procedures on a timely basis and your grill will stay clean and operate with minimum effort.

**CAUTION:** Be sure your grill is OFF and cool before cleaning.

### Cleaning The Cooking Grids

- Before initial use, and periodically, wash your Cooking Grids in a mild soap and warm water solution. You can use a wash cloth or vegetable brush to clean your Cooking Grids.

### Cleaning The Heat Diffusers

- Periodically you should wash the Heat Diffusers in a soap and warm water solution. Use a vegetable brush to remove stubborn burnt-on cooking residue. Dry the Heat Diffuser thoroughly before you reinstall them into the cooking bowl.

### Cleaning The Grease Tray and Receptacle

- To reduce the chance of fire, the Grease Draining Tray and Grease Receptacle (some models) should be visually inspected before each grill use. Remove any grease and wash Grease Tray and Receptacle with a mild soap and warm water solution.

### Cleaning the Inside of the Grill Lid

- Grease can have a tendency to build up on the inside of the Grill Lid and could drip onto deck or patio when the lid is opened. Visually inspect the inside of the Grill Lid before each grill use. Remove any grease and wash with a mild soap and warm water solution.

### Regular Cleaning of The Grill Interior

- Burning-off excess food after every cookout will keep it ready for instant use. However, at least every 3 months you must give the entire grill a thorough cleaning to minimize your risk of grease fire and keep the grill in top shape. Follow these steps:
  1. Turn all Burner Valves to the full OFF position.
  2. Turn the LP gas tank valve to the full OFF position.
  3. Disconnect the regulator from the gas tank. Inspect the hose with regulator assembly for cracking, cuts or any other damage, and replace as necessary. Refer to the Parts List in this Operator's Manual.
  4. Remove and clean the Heat Diffusers, Cooking Grids, Cooking Rack and Grill Burners.
  5. Cover each Gas Valve Orifice with aluminum foil.
  6. Brush the inside and bottom of the grill with a fiber pad or nylon brush and wash with a mild soap and warm water solution. Rinse thoroughly and let dry.
  7. Remove aluminum foil from Orifices and check each Orifice for obstruction.
  8. Check each Spark Electrode, adjusting as needed. The space between the Spark Electrode Tip and Spark Receiver should be approximately 3/16".
  9. Replace the Burners and adjust the Gas Collector Box. The edge of the collector box should be overlapping the Burner Port.
  10. Replace Heat Diffusers and Cooking Grids.
  11. Reconnect the gas source and observe the Burner flame for correct operation.

### Cleaning Exterior Painted Surfaces:

- Before initial use, and periodically thereafter, we suggest you wash your grill using a mild soap and warm water solution. You can use a wash cloth or sponge for this process. Do not use a stiff wire or brass brush. These will scratch stainless steel and chip painted surfaces (varies by model) during the cleaning process.

### Cleaning Exterior Stainless Steel Surfaces:

- Routine care and maintenance is required to preserve the appearance and corrosion resistance of stainless steel. The fact is stainless steel can corrode, rust and discolor under certain conditions. Rust is caused when regular steel particles in the atmosphere become attached to the stainless steel surface. Steel particles can also become attached to your grill if you use steel wool or stiff wire brushes to clean the grill instead of non-abrasive cloth, sponge or nylon cleaning tools. In coastal areas rust pits can develop on stainless surfaces that cannot be fully removed. Bleach and other chlorine based solutions used for household and pool cleaning can also cause corrosion to stainless steel. Weathering, extreme heat, smoke from cooking and machine oils used in the manufacturing process of stainless steel can cause stainless steel to turn tan in color. Although there are many factors which can affect the surface appearance of stainless steel, they do not affect the integrity of the steel or the performance of the grill.

- To help maintain the finish of stainless steel follow these cleaning procedures for the best results:

1. After every use (after your grill has cooled down), wipe stainless surfaces with a soft, soapy cloth or sponge then rinse with water. Be sure to remove all food particles, sauces or marinades from stainless steel because these can be highly acidic and damaging to stainless surfaces.
2. Never use abrasive cleaners, scrubbers or stiff wire brushes of any type on your grill.
3. Use a heat resistant Stainless Steel Cleaner and rub or wipe in the direction of the stainless steel grain or polish lines NOT against the grain.



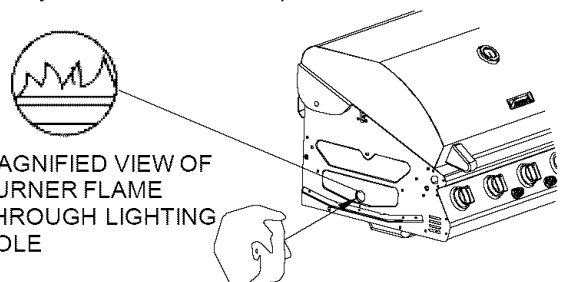
Failure to comply with these instructions could result in a fire or explosion that could cause serious bodily injury, death or property damage.

Keep grill area clear and free from combustible materials, gasoline and other flammable vapors and liquids.

Do not obstruct the flow of air for combustion and ventilation.

Keep the ventilation openings of the tank enclosure cabinet free and clear of debris.

After completing each burner lighting procedure visually check burner flame pattern as shown below.



## CLEANING THE BURNER TUBES AND BURNER PORTS

To reduce the chance of **FLASHBACK FIRE** you must clean the Burner Tubes as follows at least once a month in summer and fall or whenever spiders are active in your area, and if your grill has not been used for an extended period of time.

1. Turn all Burner Valves to the full OFF position.
2. Turn the LP Gas tank valve to the full OFF position.
3. Detach the LP Gas regulator assembly from your gas grill.
4. Remove the Cooking Grids, Heat Diffuser and Grease Trays from your grill.
5. Remove the screw from the rear of each Burner using a Phillips Head Screwdriver.
6. Carefully lift each Burner up and away from the Gas Valve Orifice.
7. Check and clean burner/venturi tubes for insects and insect nests. A clogged tube can lead to a fire beneath the grill.
8. Refer to **Figure 1** and perform one of these three cleaning methods:

- METHOD 1:** Bend a stiff wire or wire coat hanger into a small hook as shown and run the hook through the Burner Tube and inside the Burner several times to remove debris.



- METHOD 2:** Use a bottle brush with a flexible handle and run the brush through the Burner Tube and inside the Burner several times to remove any debris.
- METHOD 3:** Use an air hose to force air through each Burner Tube. The forced air should pass debris or obstructions through the Burner and out the Ports.

Regardless of which Burner cleaning procedure you use, we recommend you also complete the following steps to help prolong Burner life.

1. Use a fiber pad or nylon brush to clean the entire outer surface of each Burner until free of food residue and dirt.
2. Clean any clogged ports with a stiff wire, such as an open paper clip.
3. Inspect each Burner for damage (cracks or holes) and if such damage is found, order and install a new Burner. After installation, check to ensure that the Gas Valve Orifices are correctly placed inside the ends of the Burner Tubes. Also check the position of your Spark Electrode.

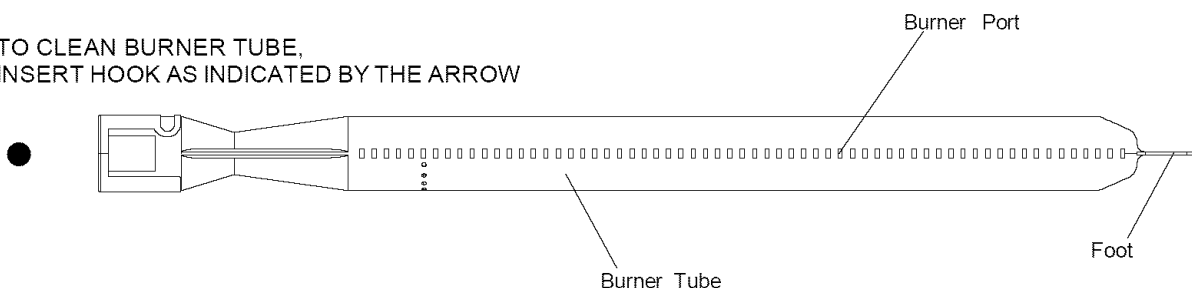
WARNING

For safe operation ensure the Gas Valve Assembly Orifice is inside the Burner Tube before using your grill. See figure. If the Orifice is not inside the Burner Tube, lighting the Burner may cause explosion and/or fire resulting in serious bodily injury and/or property damage.

Gas Valve Assembly      Orifice      Burner Tube

**Figure 1**

TO CLEAN BURNER TUBE,  
INSERT HOOK AS INDICATED BY THE ARROW



# Cooking Instructions

## Burn-Off

- Before cooking on your gas grill for the first time, you should "burn off" the grill to eliminate any odor or foreign matter. Ignite the burners, lower the Lid, and operate grill on **Hi** setting for 3 to 5 minutes.

**CAUTION:** Operating ALL main burners on **Hi** setting for longer than five minutes may damage certain parts of your grill. Do not leave your grill unattended when in use.

## Preheating

- To preheat, light your grill on **Hi**, lower the Lid and follow this timetable:
  - For high temperature cooking, preheat grill 3 to 5 minutes.
  - For low temperature cooking, preheat grill 3 minutes.
  - To slow cook, preheating is not necessary.

## Cooking Temperatures

- High setting:** The **Hi** Control Knob setting should only be used to pre-heat your grill the first 3-5 minutes and for burning food residue off the grill for 3-5 minutes after cooking is complete.

**CAUTION:** Operating ALL main burners on **Hi** setting for longer than five minutes may damage certain parts of your grill. Do not leave your grill unattended when in use.
- Medium to Low Settings:** Most recipes specify medium to low settings, including all smoking, rotisserie cooking and cooking lean cuts such as fish.

## An Important Note About Cooking Temperatures

- The suggested heat settings and cooking times shown in the following pages are approximate. Unlike the controlled environment inside your kitchen, variables including outside temperatures, direction and conditions of wind, as well as grill location will affect your grill's heat distribution. Because these conditions vary, and no two backyards are alike, we offer this guide as a convenience. We recommend you monitor your grill closely and rotate foods as needed to prevent overcooking and ensure the most delicious results every time.
- The middle and back primary cooking areas offer the highest heat for searing and grilling.
- The Secondary Cooking Rack offers medium heat for preparing breads and firm vegetables like potatoes and corn.
- The front primary cooking area offers less heat and is ideal for preparing delicate foods and for keeping cooked foods warm.

## DirectCooking

- The direct cooking method can be used with the supplied Cooking Grids and food placed directly over the lit grill Burners. **Direct Cooking requires the Grill Lid to be open.** This method is ideal for searing, grilling, deep frying and whenever you want foods to have an open-flame barbecued taste.

## IndirectCooking



- The indirect cooking method can also be used with the supplied Cooking Grids. To cook **indirectly**, the food should be placed on the left or right side of your grill with the Burner lit on the opposite side. Or place your food on the Secondary Cooking Rack and light the outer grill Burners. Either way, **indirect cooking must be done with the Lid down.**

## Prepare Cooking Grids for Grilling

- Greasing the cooking surface will help keep foods from sticking during the cookout and reduces the amount of cleanup required. Use a brush to apply a thin layer of cooking oil or vegetable shortening onto each Cooking Grid before each cookout. We do not suggest spray type oils unless they are specified for high-temperature cooking. Be sure to coat the entire cooking surface including edges and any areas with chipped porcelain.

## Flare-Ups

- The fats and juices dripping from grilled food can cause flare-ups. Since flare-ups impart a favorably distinctive taste and color to food cooked over an open flame, they should be accepted up to a point. To minimize flare-ups use a drip pan under foods that produce a lot of grease, like ribs.

 **WARNING** 

- Failure to comply with these instructions could result in a fire or explosion that could cause serious bodily injury, death or property damage.
- **Never** line the bottom of the grill housing or Savor Plates® with aluminum foil, sand or any substance that will restrict the flow of grease into the Grease Draining Tray and Receptacle.
- **Before each use of your grill:** Pull out the Grease Tray and remove all grease and food debris to prevent grease fire hazard.
- **Use your grill at least 3 feet away from any wall or surface.** Use your grill at least **3 feet away** from combustible objects that can melt or catch fire (such as vinyl or wood siding, fences and overhangs) or sources of ignition including pilot lights on water heaters and live electrical appliances.
- **Never** use your gas grill in a garage, porch, shed, breezeway or any other enclosed area.
- **Your grill will get very hot.** Always wear a flame retardant BBQ Mitt when cooking on your grill. Never lean over cooking areas while using grill. Do not touch cooking surfaces, Lid, grill housing or other parts while grill is in operation, or until the grill has cooled down after use.

## Guide to Grilling using the Direct Cooking Method

### Grilling Steak and Ribs

Turn the grill Burners on HIGH, close the Lid and preheat your grill 3 to 5 minutes. Open Lid and place the meat on the Cooking Grid directly above the lit Burners. Cook the meat on both sides until seared. Reduce the heat to MEDIUM and cook meat until done. Grilling times will vary according to meat thickness.

### Grilling Hamburgers and Sausages

Turn the grill Burners on HIGH, close Lid and preheat your grill 3 to 5 minutes. Open Lid and place the meat on the Cooking Grid directly above the lit Burners. Cook the meat on both sides until seared. Reduce the heat to MEDIUM and cook the meat until done. Grilling times will vary according to meat thickness.

### Grilling Poultry

Turn the grill Burners on HIGH, close Lid and preheat your grill 2 to 3 minutes. Then raise the Lid, reduce heat to MEDIUM and cook poultry directly over lit Burners until done. Poultry skin is fatty so you should expect some flare-ups when using this direct method.

To minimize flare-ups, try grilling poultry using the indirect method. Place the poultry on one side of the grill with the opposing Burners on MEDIUM heat, and lower the grill Lid. Grilling times will vary based on the size of your poultry.

### Grilling Pork

Turn Burners on HIGH and preheat your grill 3 to 5 minutes with the Lid closed. Raise Lid, place pork on Cooking Grid and cook until seared. Reduce heat to MEDIUM and cook until done. Grilling times will vary according to meat thickness.

### Whole Fish and Whole Fillets

Preheat your grill on HIGH for 2-3 minutes with the Lid down. Raise lid and turn Burners to MEDIUM heat. Place fish (skin down) on grill and cook over direct heat until done. Use cooking time as a guide or until fish is opaque but still moist.

### Smaller Fish Fillets and Cubes

Follow the directions from above, using approximate cooking times shown at right. Place a small piece of aluminum foil on the Cooking Grids if the fish pieces are small enough to drop between the Cooking Grids.

### Vegetables and Fruit

Prepare your fruit or vegetables and brush with butter or basting sauce if desired. To cook **indirectly**, the food should be placed on the left or right side of your grill with the Burner lit on the opposite side and the grill lid down. Or center your food on the Secondary Cooking Rack and light the outer grill Burners. Either way, **indirect cooking must be done with the Lid down.**

In some instances, you may want to grill vegetables and fruit **directly** over the heat, using the supplied Cooking Grids. Foods that work best with direct heat are relatively soft and require a short cooking time: mushrooms, zucchini, tomatoes and skewered fruit such as apricots, peaches, pineapple, strawberries and kiwis. Remember the **Grill Lid must remain up when cooking directly.**

### Cut of Meat

T-bone steak  
Sirloin steak  
Beef spare ribs  
Porterhouse steak  
New York strip steak

### Approximate Cooking Times

**Rare:** 4-8 minutes  
**Medium:** 10-14 minutes  
**Well done:** 15-20 minutes

Hamburgers  
Sausages

**Rare:** 4-6 minutes  
**Medium:** 8-10 minutes  
**Well done:** 10-15 minutes

Chicken breast  
(cook with bone down)  
Chicken wings  
Drumsticks

**Direct method:**  
approximately 15 minutes

**Indirect method:**  
up to 30 minutes

Whole bird  
(cook with breast up)

**Indirect method:**  
approximately 1 hour

Chops  
Loins  
Cutlets

**Medium:** 10-14 minutes  
**Well done:** 15-20 minutes

Whole fish  
Whole fish fillets

10 - 12 minutes per pound or until fish is opaque

Fish fillets  
Boneless cubes

4 - 5 minutes each side or until fish is opaque

For very firm vegetables—particularly potatoes and yams, we recommend that you partially boil until almost cooked, before placing them on the grill. Cooking times using the **indirect method** with the lid down will be similar to those for your kitchen oven. However, there are many factors such as outside temperature, wind conditions and location of grill that affect your grill performance so we suggest you watch the temperature gauge and adjust the heat accordingly.

Cooking times for foods prepared with the **direct method** will be much shorter mainly because of the direct heat source and softness of the food. Timing will be comparable to normal pan frying or grilling.



# Guide to Slow Roasting and Baking Techniques

## An Important Note About Heat Settings

The suggested heat settings shown are approximate. There are many factors such as outside temperature, wind conditions and grill location that affect your grill performance. We offer these cooking times as a convenience, but suggest you watch the temperature gauge and adjust the heat accordingly.

## Preparing to Roast

Roasting uses the **indirect cooking** method. Therefore, the food should be placed on the left or right side of your grill with the Burner lit on the opposite side. You can also use the supplied Cooking Grid with an aluminum drip pan underneath allowing you to collect juices for making gravies. Remember, indirect cooking requires the Lid of your grill to be down.

Preheating your grill is not required for slow cooking methods such as roasting. If you do choose to preheat your grill before roasting, turn the Burners on HIGH and close Lid for approximately 2-3 minutes.

## Food preparation

Trim meat of excess fat. Truss meat and poultry with cooking string to retain shape if desired. Bacon strips can be used to cover the outside surface of lean meat and poultry to help prevent it from drying out. Another method for keeping food moist during roasting is to put water in a cooking pan, then cover with foil. The foil should be removed for the first or the last part of the cooking time to ensure proper browning.

## Tips for roasting

Except when roasting with water in a roasting pan, the juices that collect in the pan can be used as the base for a tasty sauce or gravy. Place a cooking pan directly over the heat, add extra butter if needed, then add several spoonfuls of flour to thicken sauce. Finally, add sufficient chicken or beef stock to obtain the desired consistency.

Once the meat is cooked, remove it from your grill and cover with a piece of foil. Allow it to stand for 10-15 minutes which allows the juices to settle. This will make carving easier and ensure a tender, juicy roast.

Type of Food	How Cooked	Approximate Cooking Times
Beef	Rare	18 minutes per pound
	Medium	23 minutes per pound
	Well done	27 minutes per pound
Lamb	Medium	18 minutes per pound
	Well done	23 minutes per pound
Veal		27 minutes per pound
	Pork	30-33 minutes per pound
Chicken		20-25 minutes per pound
Duck		25 minutes per pound
Fish		10 minutes per pound
Turkey, under 16 pounds		20-25 per pound + 30 minutes
Turkey, over 16 pounds		18-23 per pound + 15 minutes

## BAKING TECHNIQUES

From casseroles and cornbread to delicious desserts like fondue fruit skewers or crumb cake, baking on the grill is as easy as baking in the kitchen.

## Preparing to Bake

To bake in your new grill you'll need a baking dish or cast-iron cooking pan, and a pair of flame retardant BBQ Mitts. If the cooking pan is cast-iron be sure to season the pan before use.

Preheat your grill 3-5 minutes, then lower heat to achieve the baking temperature desired. Baking uses the **indirect cooking** method. Therefore, your cooking pan should be

placed on the left or right side of your grill with the burner lit on the opposite side.

## Tips for Baking

Prepare your favorite recipe as you would in the kitchen. Foods cooked in the grill for long periods of time should always be covered in aluminum foil to retain moisture. You will need to stir the food several times as it bakes, and add additional liquid if required.

Watch the temperature, and adjust to cook according to your recipe directions.

## Oven Temperature

Slow	300° - 340° F
Moderate	355° - 390° F
High	410° - 480° F

## Recommended Grill Setting

Both outside Burners on LOW
1 outside Burner on <b>Hi</b> and 1 outside Burner on LOW
Both outside Burners on <b>Hi</b>

## Guide to Rotisserie Cooking

### Slow Cooking with a Rotisserie

A Rotisserie Kit is made to fit your grill model. Rotisserie cooking produces foods that are moist, flavorful and attractive. The optional rotisserie system is most commonly used for cooking meat or poultry and is designed to cook food slowly. You can place a cooking pan beneath the food to collect juices for basting and gravy. To flavor the contents of the cooking pan you may add herbs, onions, or other spices of your choice.

The cooking times on a rotisserie will be approximately the same as for oven cooking.

### Balancing the Food

In rotisserie cooking, balancing the food is of utmost importance. The rotisserie must turn evenly or the stopping and starting action will cause the food to cook unevenly and possibly burn the heavier side.

The easiest foods to balance are those of uniform shape and texture. To test if the food is balanced correctly when secured, place the ends of the rotisserie spit loosely in the palms of your hands. If there is no tendency to roll, give the spit a quarter turn. If it is still stable, give it a final quarter turn. It should rest without turning in each of these positions. It can then be attached to your grill.

### Food Preparation

When preparing poultry, truss the birds tightly so that wings and drumsticks are close to the body of the bird. The cavity of the bird may be stuffed prior to this. Pull the neck skin down and, using a small skewer, fix it to the back of the bird. Push the rotisserie spit through lengthwise, catching the bird in the fork of the wishbone. Center the bird and tighten with the holding forks. Test the balance as described before.

A rolled piece of meat requires the rotisserie skewer to be inserted through the center of the length of meat, then secured and balanced.

For meats that contain bones, it is best to secure the rotisserie skewer diagonally through the meaty sections. If protruding bones or wings brown too quickly, cover with pieces of foil.

## Guide to Smoking

### Preparing to Smoke

Smoking gives food a distinctive, delicious flavor. You will find a variety of wood chips available for use in smoking grilled foods. Pre-soaking of wood chips may be required so read and follow the manufacturer's instructions for preparing smoking chips prior to use.

**Note:** It is our experience that many smoking chip products do not actually produce a smoke but instead infuses the food with flavor. Please read product labels carefully and if in doubt, ask your retailer for details.

### Using A Smoker Box

There are many optional smoker boxes available for purchase. Follow these guidelines and always refer to the label of your smoking chips for specific directions.

Raise your Grill Lid and light the grill. Lower the Grill Lid allowing your grill to reach the desired cooking temperature for the food you are grilling. Fill your smoker box with your prepared smoking chips. Dried herbs and spices may also be added to produce different flavors. Wear a flame retardant BBQ Mitt and place your smoker box on a Cooking Grid or Savor Plate® directly above a lit grill Burner. The heated smoking chips will flavor your foods.

### Tips for Smoking

You can reduce the strength of the smoke flavor by only smoking for half or three quarters of the cooking time. The heat required for smoking is normally LOW to MEDIUM.

Foods naturally high in oils lend themselves well to smoking, while drier foods benefit from a marinade.

- **Tuna steaks**, marinated in Asian flavors of sesame oil, soy sauce and sherry.
- **Pork filets**, rubbed with ginger, orange rind and brushed with maple syrup.
- **Mussels**, brushed with lemon rind and chili oil.
- **Lamb cutlets**, marinated in virgin olive oil, lemon, oregano and black pepper. The same marinade can be used for a whole leg or rack of lamb.
- **Chicken**, boneless chicken pieces—especially sliced breasts.
- **Fish**, sliced filets of firm fish, assorted seafood such as prawns, scallops and calamari.
- **Pork**, sliced filets, diced or minced pork, sliced leg steak, sliced chops.
- **Beef**, sliced fillet, rib-eye, round, rump, sirloin.
- **Lamb**, sliced fillet, round, loin.

## Guide to Stir-Frying and Deep-Frying

### STIR-FRYING TECHNIQUES

This method of cooking is popular around the world and can be easily accomplished outdoors on your gas grill. It's a quick and healthful way of preparing a complete meal using meat, poultry or seafood in infinite combinations with other interesting ingredients like vegetables, rice or noodles.

#### Preparing to Stir-fry

Although it is possible to stir fry in other dishes, a wok is your best tool. Its high sides enable the cook to stir food without spillage. Its construction allows you to cook quickly at high temperatures, with instant control of heat which is essential for successful stir frying.

#### Food Preparation

Slice meat and poultry into long thin strips and cube fish fillets. Remove all fat from meat and poultry and cut large vegetables into even slices or cubes.

Marinate foods for extra flavor and tenderness. Marinating times will vary for red meat, fish and or various cuts. Less tender cuts of meat should be marinated longer. Remember to always chill marinating food in the refrigerator prior to cooking.

Stir-fry meats, poultry or fish first. Next, add hard vegetables like carrots. Then continue with softer vegetables like snowpeas and peppers. To ensure even cooking, continually stir and toss the food in the wok using a wooden spoon or spatula.

#### Tips for Stir-frying

Place a wok on a Cooking Grid or Side Burner directly over a HIGH heat. Add only a small amount of food at a time to ensure fast cooking and also to allow the wok to reheat between ingredients.

### DEEP-FRYING TECHNIQUES

A wide variety of foods can be deep-fried outdoors on your grill, from potatoes, to seafood and chicken. Deep-frying uses a large portion of oil, preferably saturated. The outdoor location is ideal for deep-frying as smoke, grease and smells disperse in the open air instead of collecting on the ceiling of your kitchen.

#### Preparing to Deep-fry

Deep-fry on your grill using a cooking pan or wok, over direct heat.

Fill a cooking pan no more than half full of vegetable or corn oil. Start with LOW heat, then raise the heat gradually. Check the temperature of the oil carefully with a frying thermometer or test with a cube of bread. The cube of bread should brown in about 30 seconds for most cooking needs. A temperature between 350 and 400 degrees is optimal for preparing the majority of deep-fried foods.

#### Food Preparation

Foods being deep-fried taste better when coated with either batter or breadcrumbs to add flavor and prevent moisture from escaping.

#### Tips for Deep-frying

Wear a flame retardant BBQ Mitt and slowly lower foods into the hot oil using a wire scoop or stainless steel tongs. Add only a small quantity of food to the oil, allow it to cook, then repeat with another small quantity. This ensures the oil doesn't drop in temperature. Once the food is cooked, remove it carefully and drain onto a paper towel. Turn the heat off as soon as you have finished deep-frying and allow your pan to cool. When the oil is cool, remove all remnants of fried foods by straining it through a fine metal sieve, and store it in a clean bottle for future use.

## Guide to Using the Cooking Rack

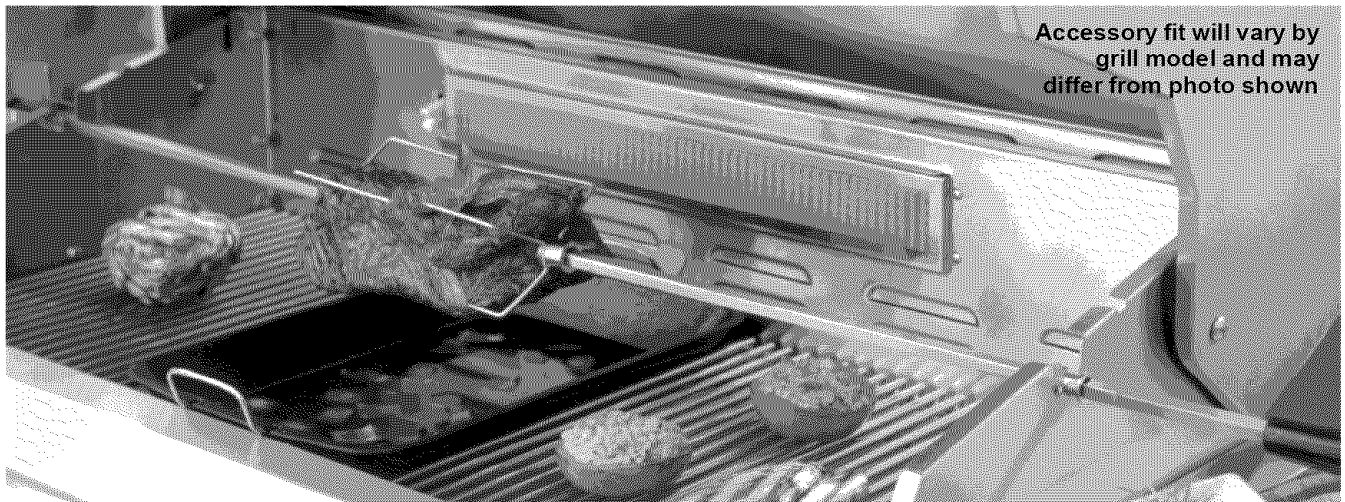
Vegetables are generally easy to cook on the grill. The Cooking Rack makes it convenient because you can still use the main cooking area while the vegetables are suspended above the grids.

Pre-cook hard vegetables by briefly boiling or microwaving them before cooking on the grill. Wrap vegetables in a double thickness of foil to protect them while cooking on the grill. Then, remove the foil if desired, 10-15 minutes before the end of cooking, brush vegetables with butter or oil and finish cooking.

The Cooking Rack can be used for purposes other than just the obvious. Consider using the rack for warming French bread, garlic bread, croissants or even bagels.

A small whole fish wrapped in foil also cooks well on the Cooking Rack. Parcels of seafood such as scallops, prawns and sliced fish fillets prepared in a sauce and portioned into small foil wraps cook well this way, too.

## Don't Forget Your Grill Accessories

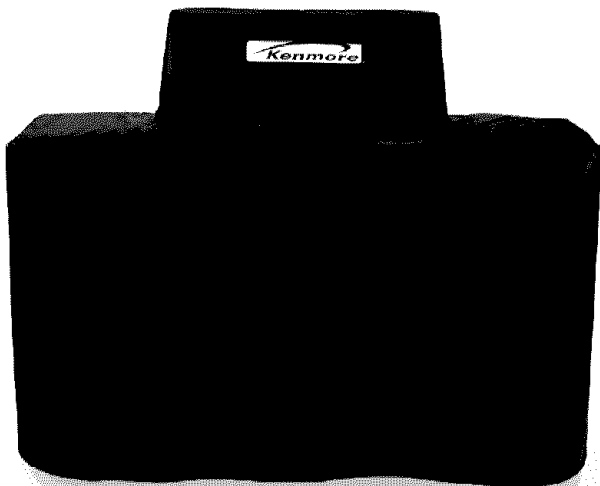


Accessory fit will vary by grill model and may differ from photo shown

**Anything you enjoy cooking indoors can be prepared outdoors as well.** These optional grill accessories make it easy to enjoy your new Kenmore Premium or Kenmore Elite grill as an outdoor kitchen.

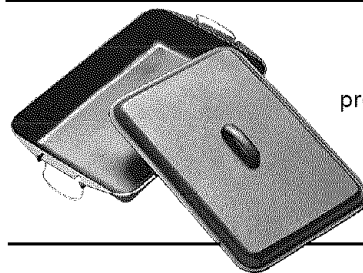
Not all locations carry all items and availability is limited to supplies on hand. Accessory fit will vary by grill model so ask a sales associate for details.

Grill accessories are offered at most larger Sears full line stores, Sears Grand, Sears Hardware, The Great Indoors, Orchard Supply Hardware and sears.com.



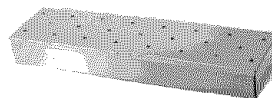
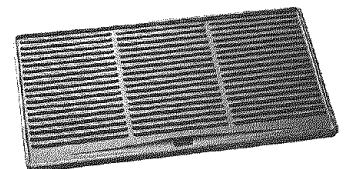
Protect your grill from rain, snow and seasonal debris with a quality made grill cover. Fit varies by grill model.

Rotisserie cooking produces foods that are moist and flavorful because the slowly rotated food self-bastes to seal in meat's natural juices. Use a Rotisserie Kit to slow cook foods using the indirect cooking method or an infrared back burner, a feature available on some models.

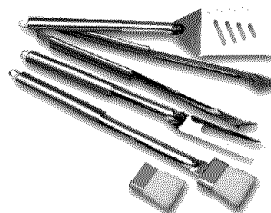


Versatile cast-iron Pan and Lid set is ideal for preparing deep dish pizza, cornbread, casseroles and deserts.

Reversible cast-iron Griddle offers a flat side for grilling breakfast, fish and fajitas and a ribbed side for cooking bacon, sausages and burgers.



Load this Smoker Box with your favorite chips and add flavor to grilled foods.



Quality 304 grade stainless steel grill tools offer long reach handles for easier outdoor cooking.

**Call the Grill Information Center** if you have any problem with this product. We can help with questions about assembly, grill operation, accessory availability or if there are damaged or missing parts when you unpack this unit from the shipping box. Please call us before contacting your local retailer.

### GRILL INFORMATION CENTER

Call 8am to 8pm CST **1-888-317-7642** Monday through Friday

**Question:**

**Can I convert my grill from one fuel type to another in other words from LPG to NG or vice versa?**

**Answer:**

No, your gas grill is manufactured to exact specifications and is certified for LPG (Liquid Propane Gas) or NG (Natural Gas) use only. For your safety, conversion kits are not available, nor will we sell or otherwise provide parts or information to be used to convert your grill. Any attempt to convert your grill is dangerous and will void your warranty.

**Question:**

**Are the serial and model numbers of my grill listed somewhere for reference?**

**Answer:**

The serial and model numbers are listed on a silver CSA label placed on the grill. Depending on the grill model the silver CSA label will be located on the left or right side bowl panel underneath the side shelf, underneath the right side of the control panel, outside left or right of control panel or on the back of the grill cabinet.

**Question:**

**My grill will not light properly. Why?**

**Answer:**

Always light the main Burner farthest from the fuel source first. This will draw gas across the manifold helping prevent air pockets which obstruct gas flow and prevent proper grill lighting. Also try this procedure:

1. Turn gas off at source and turn Control Knobs OFF. Wait at least 5 minutes for gas to clear, then retry.
2. If your grill still fails to light, check gas supply and connections.
3. Repeat lighting procedure.

If your grill still fails to operate, turn the gas off at source, turn the Control Knobs to OFF and refer to the Troubleshooting Section for more tips, or call the Grill Information Center.

**Question:**

**If my ignitor or battery is not working how can I light my grill manually? And - Why would I need the silver lighting stick that hangs from the side of my grill?**

**Answer:**

If your ignition fails to work or your battery needs replacing, you can light your grill through the Lighting Hole on the side of the grill bowl using the Manual Lighting Stick that hangs from the side of your grill. The Lighting Stick is designed to hold a paper match and allows you to safely insert a match through the Lighting Hole without getting close to the Burner. Never remove the Cooking Grids or Heat Diffuser and attempt to light the grill from above. To light your gas grill manually, insert a paper match into the Manual Lighting Stick and follow steps 1 through 6 of the Basic Lighting Procedures. Then, light the match and place it through the Lighting Hole on the right side of the grill (location of hole varies by grill model). Turn the nearest main Burner Control Knob to the High setting to release gas. The Burner should light immediately.

**Question:**

**Sometimes I hear a humming sound coming from my regulator. What causes this? And - My grill has a low flame and sometimes will not light. Why?**

**Answer:**

The humming sound is gas flowing through the regulator. A low volume of sound is normal and will not interfere with the operation of your grill. Loud or excessive regulator humming and/or low flow and intermittent lighting may be caused by the regulator's excess gas flow device. Opening the tank valve all the way or too quickly is what triggers the regulator's safety device to restrict gas flow, preventing excess gas flow to your grill. Lighting the main Burner farthest from the fuel source every time will help eliminate air pockets in the manifold. Note: This procedure should be done every time a new LP Gas tank is connected to your grill.

- Turn all Control Knobs to the OFF position.
- Turn off the LP Gas tank at the tank valve.
- Disconnect regulator from LP Gas tank.
- Let unit stand for 5 minutes.
- Reconnect regulator to the LP Gas tank.
- Open grill Lid (or Side Burner Lid if you are lighting the Side Burner).
- Turn the tank valve slowly ¼ of one turn.
- Light middle main Burner farthest from fuel source.
- Turn the tank valve slowly one more ¼ of one turn for ½ of one complete turn.
- Continue to light Burners moving towards the tank.
- Do not turn tank valve more than ½ of one turn.

**Question:**

**Where do I use my grill for safer operation and better performance?**

**Answer:**

- Strong winds and low temperatures can affect the heating and performance of your gas grill so factor in these elements when positioning your grill outdoors for cooking.
- In **windy conditions**, always position the front of grill to face oncoming wind to reduce smoke and heat blowing in your face and prevent potential hazards to self and grill.
- Use your grill at least 3 feet away from any wall or surface.
- Use your grill at least **3 feet away** from combustible objects that can melt or catch fire such as vinyl or wood siding, fences and overhangs) or sources of ignition including pilot lights on water heaters and live electrical appliances.
- Never** use your gas grill in a garage, porch, shed, breezeway or any other enclosed area.
- Never** obstruct the flow of ventilation air around your gas grill housing.

**Question:**

**The Regulator and Hose supplied with my gas grill does not fit the older LP Gas tank I've used for years. Why not?**

**Answer:**

The U.S. Government regulates gas appliances and LP Gas tanks. When regulations are changed the LP Gas tank fittings are altered to insure compliance. If your LP Gas tank does not fit the Regulator and Hose supplied with your new grill, the tank is outdated and must be replaced. Note: Effective April 1, 2002 all LP Gas tanks sold must include an "OPD" Overfill Prevention Device. The OPD tanks are identified by their triangular-shaped valve wheel. This internal device prevents the LP Gas tank from being overfilled. Tanks without an OPD valve can not be refilled.

**Question:**

**Is it safe to clean my porcelain coated cooking grids in the dishwasher?**

**Answer:**

Clean your cooking grids by hand if there are any chips or cracks in the porcelain finish and dry them thoroughly. If no chips or cracks are present it should be safe to use the dishwasher. Remember to dry the cooking grids thoroughly before placing back onto your grill to minimize rusting.

**Question:**

**What causes grill parts to rust and what affect does it have on my grill?**

**Answer:**

Rusting is a natural oxidation process and will not affect the short term performance of your grill.

To slow the rusting process on Cooking Grids we recommend greasing the grids before and after each cookout. Use a brush to apply a thin layer of cooking oil or vegetable shortening onto each grid. We do not suggest spray type oils unless they are specified for high-temperature cooking. If your Cooking Grids are Porcelain coated, be sure to coat the entire cooking surface including edges and any areas with chipped porcelain.

Routine care and maintenance is required to preserve the appearance and corrosion resistance of stainless steel. The fact is stainless steel can corrode, rust and discolor under certain conditions. Rust is caused when regular steel particles in the atmosphere become attached to the stainless steel surface. Steel particles can also become attached to your grill if you use steel wool or stiff wire brushes to clean the grill instead of non-abrasive cloth, sponge or nylon cleaning tools. In coastal areas rust pits can develop on stainless surfaces that cannot be fully removed. Bleach and other chlorine based solutions used for household and pool cleaning can also cause corrosion to stainless steel.

Weathering, extreme heat, smoke from cooking and machine oils used in the manufacturing process of stainless steel can cause stainless steel to turn tan in color. Although there are many factors which can affect the surface appearance of stainless steel, they do not affect the integrity of the steel or the performance of the grill. To help maintain the finish of stainless steel follow these cleaning procedures for the best results:

After every use (after your grill has cooled down), wipe stainless surfaces with a soft, soapy cloth or sponge then rinse with water. Be sure to remove all food particles, sauces or marinades from stainless steel because these can be highly acidic and damaging to stainless surfaces.

Never use abrasive cleaners, scrubbers or stiff wire brushes of any type on your grill.

Use a heat resistant Stainless Steel Cleaner and rub or wipe in the direction of the stainless steel grain or polish lines NOT against the grain.

**Question:**

**Which is a better cooking surface to grill on; porcelain coated steel / cast-iron cooking grids or stainless steel grids?**

**Answer:**

They all have their advantages. For traditional grilling and searing meats, cast-iron or steel grids offer better heat conductivity. To protect against the natural rusting process, steel or cast-iron cooking grids offer a porcelain finish which requires routine maintenance to keep the grids well seasoned.

Stainless steel is popular with those who prefer less maintenance.

A new innovative solution is available on select models called stainless Therma-Core®. This Cooking Grid combines a heat conducting steel core with an easy-to-clean stainless outer shell.

You may also review FAQ's, Troubleshooting and Care & Maintenance Tips online at [www.grandhall.com](http://www.grandhall.com).

# Repair Protection Agreements

*Congratulations on making a smart purchase.* Your new Kenmore® product is designed and manufactured for years of dependable operation. But like all products, it may require repair from time to time. That's when having a Repair Protection Agreement can save you money and aggravation.

## **Here's what the Repair Protection Agreement\* includes:**

- **Expert service** by our 10,000 professional repair specialists.
- **Unlimited service and no charge** for parts and labor on all covered repairs.
- **Product replacement** up to \$1500 if your covered product can't be fixed.
- **Discount of 10%** from regular price of service and related installed parts not covered by the agreement; also, 10% off regular price of preventative maintenance check.
- **Fast help by phone** – we call it Rapid Resolution – phone support from a Sears representative. Think of us as a “talking Use and Care Guide.”

Once you purchase the Repair Protection Agreement, a simple phone call is all that it takes for you to schedule service. You can call anytime day or night, or schedule a service appointment online.

The Repair Protection Agreement is a risk-free purchase. If you cancel for any reason during the product warranty period, we will provide a full refund. Or, a prorated refund anytime after the product warranty period expires. Purchase your Repair Protection Agreement today!

**Some limitations and exclusions apply. For prices and additional information in the U.S.A. call 1-800-827-6655.**

**\* Coverage in Canada varies on some items. For full details call Sears Canada at 1-800-361-6665.**

## **Sears Installation Service**

*For Sears professional installation* of home appliances, garage door openers, water heaters, and other major home items, in the U.S.A. or Canada call **1-800-4-MY-HOME®**.

# Get it fixed, at your home or ours!

## Your Home

For repair – **in your home** – of all major brand appliances, lawn and garden equipment, or heating and cooling systems, **no matter who made it, no matter who sold it!**

For the replacement parts, accessories and owner's manuals that you need to do-it-yourself.

For Sears professional installation of home appliances and items like garage door openers and water heaters.

**1-800-4-MY-HOME**<sup>®</sup> (1-800-469-4663)

Call anytime, day or night (U.S.A. and Canada)

[www.sears.com](http://www.sears.com)    [www.sears.ca](http://www.sears.ca)

*For expert home solutions advice: [www.managemyhome.com](http://www.managemyhome.com)*

## Our Home

For repair of carry-in items like vacuums, lawn equipment, and electronics, call or go on-line for the location of your nearest

**Sears Parts & Repair Service Center**

**1-800-488-1222** (U.S.A.)    **1-800-469-4663** (Canada)

Call anytime, day or night

[www.sears.com](http://www.sears.com)    [www.sears.ca](http://www.sears.ca)

To purchase a protection agreement on a product serviced by Sears:

**1-800-827-6655** (U.S.A.)

**1-800-361-6665** (Canada)

Para pedir servicio de reparación a domicilio, y para ordenar piezas:

**1-888-SU-HOGAR**<sup>®</sup>

(1-888-784-6427)

Au Canada pour service en français:

**1-800-LE-FOYER**<sup>MC</sup>

(1-800-533-6937)

[www.sears.ca](http://www.sears.ca)



® Registered Trademark / ™ Trademark / ℠ Service Mark of Sears Brands, LLC  
© Marca Registrada / ™ Marca de Fábrica / ℠ Marca de Servicio de Sears Brands, LLC  
MC Marque de commerce / MD Marque déposée de Sears Brands, LLC

© Sears Brands, LLC



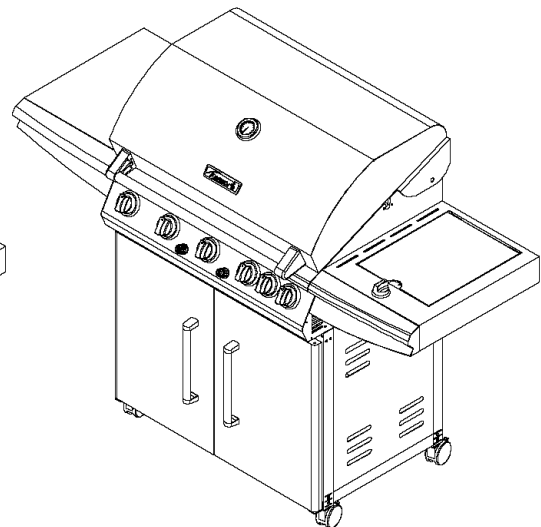
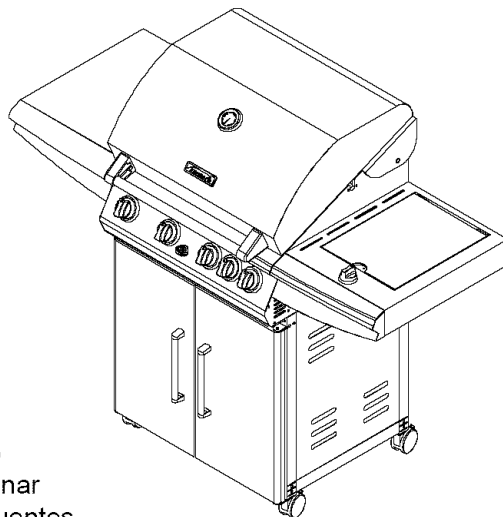


Parrilla de Gas Propano Líquido (LPG)



Modelo 141.16313800

Modelo 141.16315800



- Seguridad
- Ensamblaje
- Uso y cuidado
- Guía para cocinar
- Preguntas frecuentes

### Centro de información de parrillas:

Llámenos primero si tiene cualquier problema con el producto. Nosotros podemos ayudarle con sus preguntas del ensamblaje y operación de la parrilla, o si hay daños o partes que faltan cuando desempaca esta unidad de la caja de envío. Favor, llámenos antes de ponerse en contacto con su vendedor local.

**1-888-317-7642**

**8am - 8pm CST, Lunes a Viernes**

### IMPORTANTE:

- **NOTA AL ENSAMBLADOR/INSTALADOR:**  
Deje este manual con el consumidor.
- **NOTA AL CONSUMIDOR:**  
Guarde este manual para futuras consultas.
- **Escriba su # de serie:** \_\_\_\_\_  
(Vea la placa CSA de identificación en la parrilla)



### ADVERTENCIA



- Fallo en cumplir con estas instrucciones puede producir una explosión o incendio que pueden causar lesiones serias, muerte o daños a la propiedad.
- Aunque usted u otra persona hayan ensamblado esta parrilla, usted debe leer el manual por entero antes de usarla para asegurarse que la parrilla esté correctamente ensamblada, instalada y mantenida.
- **Use su parrilla por lo menos a 3 pies de distancia** de cualquier pared o superficie. Use su parrilla por lo menos **3 pies de distancia** de objetos combustibles que pueden derretirse o incendiarse (como vinilo o tablas de madera forrada, cercas y techos) o fuentes inflamables incluyendo lámparas, llamas del piloto de calentadores de agua y aparatos eléctricos encendidos.
- **ESTE APARATO DE GAS HA SIDO DISEÑADO PARA USO AL AIRE LIBRE SOLAMENTE.**
- **Nunca** use su parrilla de gas en un garaje, porche, cobertizo, pasajes o cualquier otra área cerrada.
- **Nunca** obstruya la circulación de aire alrededor de la armazón de la parrilla de gas.
- **Nunca** desconecte el regulador de gas o cualquier encaje de gas mientras que su parrilla está encendida. Una parrilla encendida puede encender cualquier escape de gas y causar un incendio o explosión que pueden resultar en daños a la propiedad, lesiones personales o muerte.

Manual # P80165005H - Date:2007/10/26

## Tabla de Contenido

Advertencias de Seguridad principales .....	1-3
Términos y condiciones de la garantía .....	2
Instrucciones para antes del ensamblaje .....	3
Diagrama de partes y listas .....	4-8
Instrucciones para el ensamblaje .....	9-15
Instalación del tanque de gas LP .....	16-18
Instrucciones para uso y cuidado:	
• Instrucciones para encender .....	19
• Reparación técnica .....	20
Limpieza y mantenimiento .....	21-22
Guía para cocinar .....	A1-A5
Preguntas frecuentes .....	A7-A8

## Garantía

### Garantía completa del Kenmore

Si esta parrilla falla debido a defectos en material o mano de obra, dentro de un año de la fecha de compra, llame a 1-800-4-MY-HOME para hacer arreglos para obtener reparos gratis) o reemplazos si la reparación es imposible.

### Garantía Limitada adicional en partes específicas de la parrilla.

Desde la fecha de compra por los períodos de tiempo listados abajo, las siguientes piezas específicas de la parrilla serán reemplazadas gratis debido a corrosión a través. Después del primer año de la fecha de compra usted debe pagar el costo laboral si usted desea que sean instaladas.

- |                         |         |
|-------------------------|---------|
| • fogóns de inoxidable  | 10 años |
| • Partes de inoxidable  | 3 años  |
| • Partes de pintado     | 2 años  |
| • Cuadrículas para asar | 2 años  |
| • Difusores de calor    | 2 años  |

Toda cobertura en la garantía excluye las baterías del encendedor y pérdida de pintura de la parrilla (excepto como se especifica arriba,) o corrosión, partes que son prescindibles que se desgastan con uso normal en menos de un año, o son condiciones que pueden resultar por uso normal, accidente o mantenimiento inapropiado.

Se anula toda la Garantía si la parrilla es puesta en usos comerciales o es alquilada.

Esta garantía aplica solamente cuando la parrilla es usada en los Estados Unidos.

Esta garantía le confiere derechos legales específicos y pueda ser que tenga otros derechos que varían de un estado al otro.

**Sears, Roebuck and Co., Hoffman Estates, IL**



## PELIGRO



### SI HAY OLOR A GAS:

1. Cierre la fuente de gas
2. Apague cualquier llama
3. Abra la tapa
4. Si el olor continua, aléjese del aparato y llame inmediatamente a su suplidor de gas o al departamento de bomberos



## ADVERTENCIA



- Los modelos de la parrilla de LPG deben usarse con Gas Propano Líquido y el regulador del ensamble proporcionado con la parrilla. Los modelos de gas natural deben ser usados con gas natural. Cualquier intento de cambiar la parrilla de un tipo de combustible a otro es sumamente peligroso y anulará la garantía.

- Mantenga la manguera del regulador fuera de superficies calientes y goteos de grasa. Evite retorcer la manguera. Inspeccione visualmente las mangueras antes de cada uso por cortes, rajaduras y daños causador por uso excesivo. Si la manguera aparece dañada no use la parrilla de gas. Llame al 1-888-317-7642 para obtener las manguera de reemplazo certificadas por Grand Hall.

### • Proposición 65 de California

Los subproductos de combustión producidos al usar este producto contienen agentes químicos conocidos por el Estado de California por causar cáncer, defectos congénitos, u otros daños al sistema reproductor.

Los componentes de latón en la parrilla, como los accesorios de la manguera, válvulas del cilindro de propano (vendida por separado) y vástagos de las válvulas de los fogones, contienen plomo que el Estado de California reconoce pueden causar cáncer, defectos congénitos, u otros daños al sistema reproductor.

- **Nunca use en esta parrilla carbón o líquido encendedor.** Fallo en cumplir con estas instrucciones puede resultar en un fuego de grasa o explosión que puede causar serias lesiones al cuerpo, muerte o daños a la propiedad.
- La bandeja para el drenaje de la grasa y el receptáculo para la grasa deben ser inspeccionados visualmente cada vez que va a usar la parrilla. Debe remover cualquier grasa y lavar la bandeja de drenaje y el receptáculo para la grasa con una solución de agua tibia enjabonada. Fallo en cumplir con estas instrucciones puede resultar en un fuego de grasa o explosión que pueden causar serias lesiones al cuerpo, muerte o daños a la propiedad.

# INSTRUCCIONES PARA SU SEGURIDAD ANTES DEL ENSAMBLAJE



## ADVERTENCIA



Fallo en cumplir con estas instrucciones puede producir una explosión o incendio que pueden causar lesiones serias, muerte o daños a la propiedad.

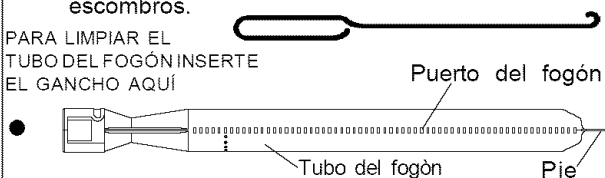
Arañas e insectos pequeños pueden tejer y anidar telarañas en los tubos del fogón durante el tránsito resultando en una obstrucción de la circulación del gas causando un fuego alrededor de los tubos del fogón. Este tipo de fuego se llama "RETROCESO DE LLAMA" puede causar daños serios a la parrilla y crear una función que puede ser peligrosa para el usuario.

Para reducir la oportunidad de tener **RETROCESO DE LLAMA** usted debe limpiar los tubos del fogón de la siguiente manera antes del montaje de su parrilla. También haga esto por lo menos una vez al mes en verano y otoño, y si su parrilla no ha sido usada por un periodo de tiempo prolongado.

1. Retire el tornillo de la parte trasera de cada fogón usando un destornillador de cabeza de Phillips.
2. Levante cada fogón hacia arriba alejándolo cuidadosamente del orificio de la válvula de gas.
3. Verifique y limpie los tubos del fogón y los tubos Venturi por nidos e insectos. Un tubo obstruido puede resultar en un fuego debajo de la parrilla.
4. Refiérase a la figura de abajo y oficie uno de los 3 métodos de limpieza:

- MÉTODO 1:** Use un alambre rígido, o una percha de alambre, doblada en forma de gancho pequeño como se muestra en el dibujo y entre el gancho por el tubo de fogón varias veces para limpiar los escombros.

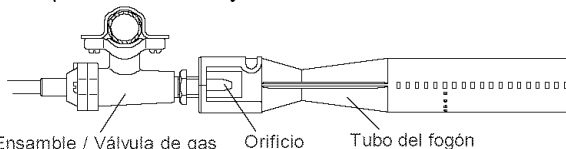
PARA LIMPIAR EL TUBO DEL FOGÓN INSERTE EL GANCHO AQUÍ



- MÉTODO 2:** Use un cepillo de botella con un mango flexible y córralo dentro del tubo del fogón varias veces para sacar los escombros.

- MÉTODO 3:** Use una manguera de aire a presión para forzar aire dentro de los tubos de cada fogón hasta asegurarse que estén completamente limpios y que los escombros hayan salido de los tubos a través de los puertos.

Para una operación sin peligro asegúrese que el orificio del ensamble de la válvula de gas esté dentro del tubo de fogón antes de usar su parrilla. Vea la figura. Si el orificio no está dentro del tubo del fogón, al encender el fogón podría causar una explosión y/o incendio resultando en lesiones corporales serias y/o daños materiales.



## ADVERTENCIA



1. No almacene el tanque extra de LP a menos de una distancia de 10 pies (3m) de este aparato.
2. No almacene o use gasolina u otros líquidos con vapores inflamables dentro 25 pies (8m) de este aparato.
3. Cuando cocina con aceite/grasa no permita que se caliente más de 350F (177C).
4. No deje desatendido el aceite caliente.



## ADVERTENCIA



1. No almacene o use gasolina u otros líquidos que producen vapores inflamables en la vecindad de este o cualquier otro aparato.
2. Un tanque de gas LP desconectado no se debe almacenar en la vecindad de este o cualquier otro aparato

### ANTES DEL ENSAMBLAJE

Lea y ejecute las siguientes instrucciones antes del ensamblaje.

- Herramientas requeridas para el ensamble:**
- Guantes de trabajo protectivos
  - Gafas protectivas para trabajo industrial
  - Destornillador con cabeza Phillips #2 y #3
- Va a necesitar la ayuda de otra persona para mover el cabezal de la parrilla, y las otras partes grandes y pesadas.
- Abra la tapa de la caja de envío y remueva la tapa de la caja de las partes y el material de empaque. Coloque la tapa de cartón en el piso y úsela como un área de trabajo para proteger el piso y las partes de la parrilla.
- Puede cortar las esquinas del frente del cartón de envío con un cuchillo para abrir el panel frontal de la caja. Esto le permite retirar la tapa de la cabeza de la parrilla y remover los componentes, haciéndolos más fácil de alzar. Use también el panel de cartón para proteger el piso y la parrilla de rayaduras.
- Use el diagramas de partes y ferretería para asegurarse que todas las partes estan incluidas y libres de daños.
- No ensamble u opere la parrilla si parece que algo iestá dañado. Si hay daños o partes que faltan cuando desempaca la parrilla de la caja de envío o usted tiene preguntas sobre el proceso del ensamblaje, llame al:

**Centro de información de Parrillas 1-888-317-7642**

8am a 8pm CST, lunes a viernes

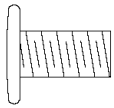
### Códigos para la instalación de la parrilla

La instalación debe estar de acuerdo con los códigos locales o en ausencia de códigos locales, deben estar bajo el Código Nacional del Combustible de Gas ANSI Z223.1/NFPA 54, o con el código de instalación de Gas Natural y Propano CSA B149.1 y el Código de Almacenamiento y Manejo, B149.2

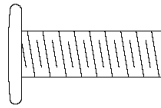
## Lista de ferretería - Modelos 141.16313800 & 141.16315800

PARTE #	DESCRIPCIÓN DE LAS PARTES	UNIDADES	USO DE LAS PARTES
P06001064B	Paquete de ferretería	1	Para usarse en el ensamblaje del Modelo 141.16313800
P06001065B	Paquete de ferretería	1	Para usarse en el ensamblaje del Modelo 141.16315800
P05515101L	Llave inglesa/ #17 hecha a la medida	1	Apriete las ruedas
S112G0432A	Tornillo de cabeza Phillips 1/4"x2"	8	Fija las patas de la carreta con el panel lateral a la repisa inferior de la carreta
S233G04572	Tornillo Mariposa 1/4"x6-11/16"	1	Asegura el tanque de gas
S303G0404D	Tuerca especial 1/4"	1	
S112G0408A	Tornillo de cabeza Phillips 1/4"x1/2"	4	Fija el panel trasero a las patas de la carreta con el panel lateral
S112G0432A	Tornillo de cabeza Phillips 1/4"x2"	4	Fija el soporte de la puerta a las patas de la carreta con los paneles laterales
S112M0405A	Tornillo de cabeza Phillips M4x5mm	3	Adjunta el Protector de Calor del Tanque de Gas al Panel Lateral Derecho y Trasero del carrito.
S112M04084	Tornillo de cabeza Phillips M4x8mm	4	Fija las manijas de la puerta a la puerta
S112G0306A	Tornillo de cabeza Phillips 3/16"x3/8"	4	Fija el soporte de la bisagra a la pata de la carreta
S112G0306A	Tornillo de cabeza Phillips 3/16"x3/8"	2	Fija la placa de guía de la puerta a la repisa inferior de la carreta
S112G0419A	Tornillo de cabeza Phillips 1/4"x1-3/16"	4	Fija el tazón de la carreta
S112G0412A	Tornillo de cabeza Phillips 1/4"x3/4"	10	Fija la repisa lateral y el marco del fogón lateral al panel del tazón
S275G0305A	Tornillo de cabeza Phillips 3/16"x5/16"	2	Adjunta el Protector de Viento
P03401373H	Parilla de control para el fogón lateral	1	Fija al tallo de la válvula de gas del fogón lateral
S112M04082	Tornillo de cabeza Phillips M4x8mm	2	Instale el válvula de gas del fogón lateral al armazón del fogón lateral
<b>Para usarse en el ensamblaje sólo el Modelo 141.16315800</b>			
S112G0408A	Tornillo de cabeza Phillips 1/4"x1/2"	7	Fija el panel tabique y el soporte a la carreta

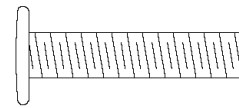
## Paquete de ferretería y diagrama - Modelos 141.16313800 & 141.16315800



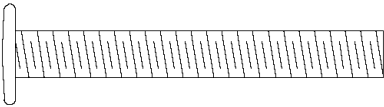
Tornillo de cabeza Phillips  
1/4"x1/2"  
Unidades 4 (Modelo 141.16313800)  
Unidades 11 (Modelo 141.16315800 )  
Parte # S112G0408A  
(Pintado Negro)



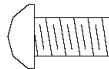
Tornillo de cabeza Phillips  
1/4"x3/4"  
Unidades 10  
Parte # S112G0412A  
(Pintado Negro)



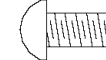
Tornillo de cabeza Phillips  
1/4"x1-3/16"  
Unidades 4  
Parte # S112G0419A  
(Pintado Negro)



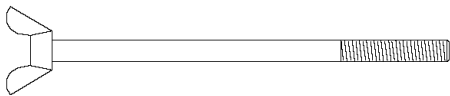
Tornillo de cabeza Phillips  
1/4"x2"  
Unidades 12  
Parte # S112G0432A  
(Pintado Negro)



Tornillo de cabeza  
Phillips M4x8mm  
Unidades 4  
Parte # S112M04084  
(Pintado Acero)



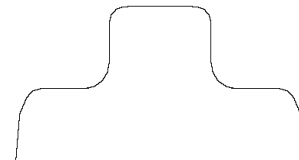
Tornillo de cabeza Phillips  
3/16"x3/8"  
Unidades 6  
Parte # S112G0306A  
(Pintado Negro)



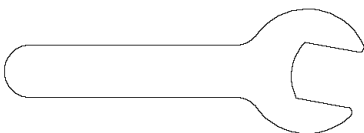
Tornillo Mariposa 1/4"x6-11/16"  
Unidad 1  
Parte # S233G04572  
(Pintado Negro)  
Escala 1:2



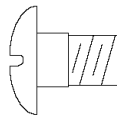
Tuerca especial 1/4"  
Unidad 1  
Parte # S303G0404D  
(Pintado Negro)  
Escala 1:2



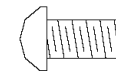
Perilla de control para el  
fogón lateral  
Unidad 1  
Parte # P03401373H  
Escala 1:2



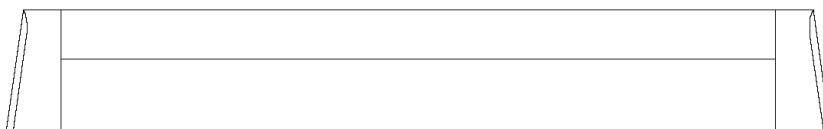
Llave inglesa/ #17 hecha a la  
medida  
Unidad 1  
Parte # P05515101L  
Escala 1:2



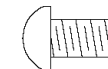
Tornillo de cabeza Phillips  
3/16"x5/16"  
Unidades 2  
Parte # S275G0305A



Tornillo de cabeza Phillips  
M4x8mm  
Unidades 2  
Parte # S112M04082  
(Pintado Negro)



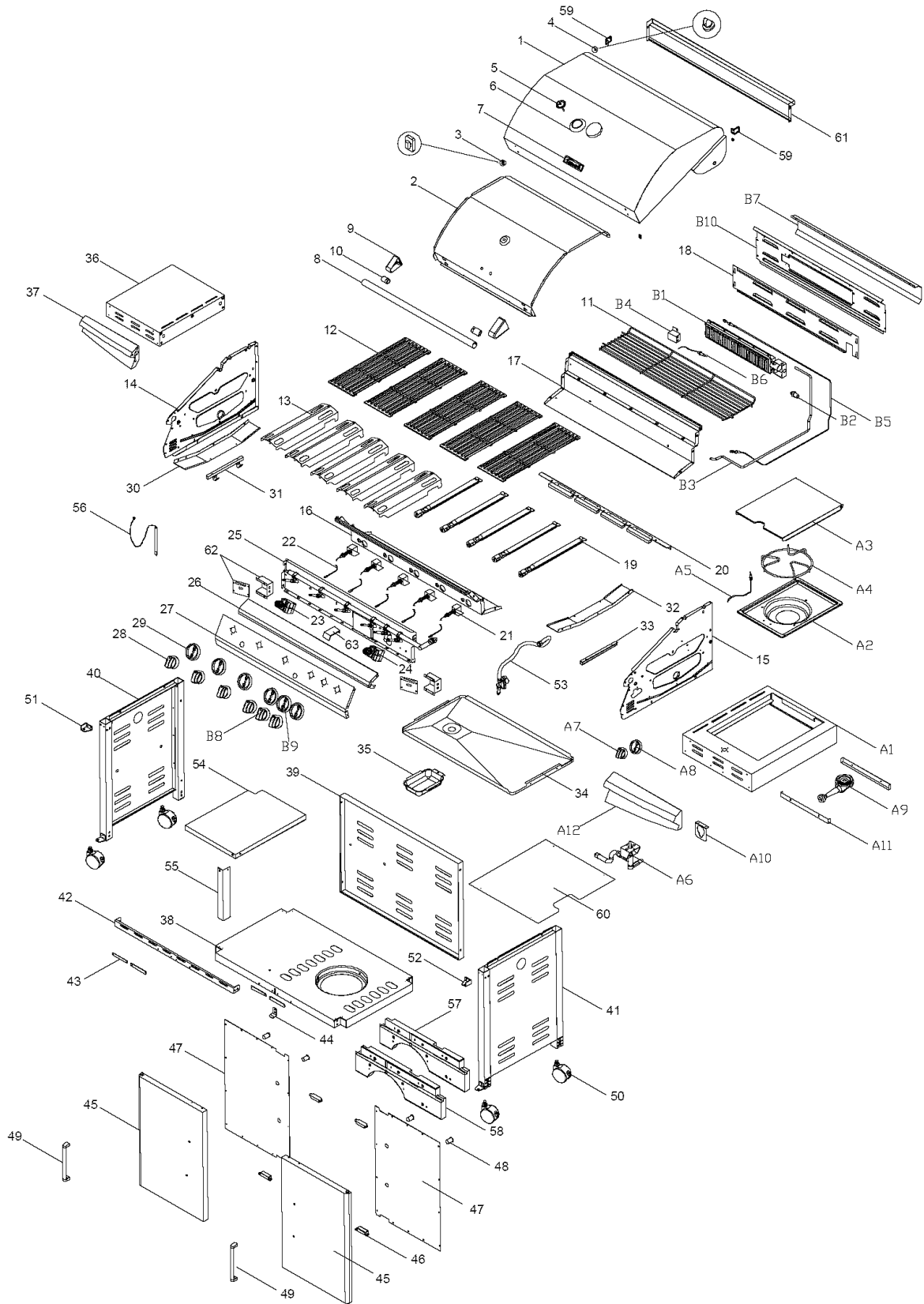
Manija de la puerta  
Unidad 2  
Parte # P00201003I  
Escala 1:2



Tornillo de cabeza Phillips  
M4x5mm  
Unidades 3  
Parte # S112M0405A  
(Pintado Negro)

\* Una batería /AA incluida en el paquete de ferretería

# Diagrama de partes 141.16313800 & 141.16315800



## Lista de partes - Modelos 141.16313800 & 141.16315800

CÓDIGO	DESCRIPCIÓN DE LAS PARTES	16313 PARTE #	UNIDADES	16315 PARTE #	UNIDADES
1	Tapa	P0014618E4	1	P0014722E4	1
2	Moldura de la tapa	P0011452QJ	1	P0011453QJ	1
3	Material protector, frontal	P05518026I	2	P05518026I	2
4	Material protector, posterior	P05518001I	2	P05518001I	2
5	Indicador de temperatura	P00601287C	1	P00601287C	1
6	Base para el calibrador de temperatura	P00614017E	1	P00614017E	1
7	Placa de identificación	P00410041C	1	P00410041C	1
8	Manija de la puerta	P00205098M	1	P00205099M	1
9	Soporte de la manija de la tapa	P03303106A	2	P03303106A	2
10	Espaciador aislador del calor de la manija de la tapa	P06901025A	2	P06901025A	2
11	Reja secundaria para asar	P01505008E	1	P01506005G	1
12	Reja para asar	P01615029H	4	P01615029H	5
13	Difusor de calor	P01714004E	4	P01714004E	5
14	Panel del tazón, izquierdo	P00720824A	1	P00720824A	1
15	Panel del tazón, derecha	P00721834A	1	P00721834A	1
16	Panel del tazón, frontal	P00738779A	1	P00738769A	1
17	Panel del tazón, posterior	P00725879A	1	P00725869A	1
18	Panel del tazón, trasero/superior	P06905056B	1	P06905057B	1
19	Fogón principal	P020080364	4	P020080364	5
20	Soporte del fogón	P02204202E	1	P02205122E	1
21	Caja colectora de gas con electrodo	P02609013M	4	P02609013M	5
22	Juego de cables eléctricos	P02615112A	1	P02615111A	1
23	Encendedor eléctrico, 6-Puertos	P02502265C	1	P02502265C	1
24	Encendedor eléctrico, 2-Puertos	—	—	P02502252C	1
25	Válvula de gas/ensamble del múltiple	Y0060503	1	Y0060502	1
26	Cubierta decorativa frontal	P02907867S	1	P02909687S	1
27	Tablero de control	P02907857I	1	P02909977I	1
28	Perilla de control para el fogón principal	P03419483H	4	P03419483H	5
29	Base de la perilla de control	P03415073I	4	P03415073I	5
30	Bandeja para drenaje de grasa, izquierda	P06901010B	1	P06901010B	1
31	Carril izquierdo para deslizar la bandeja de grasa	P06901022B	1	P06901022B	1
32	Bandeja para drenaje de grasa, derecha	P06901011B	1	P06901011B	1
33	Carril derecho para deslizar la bandeja de grasa	P06901013B	1	P06901013B	1
34	Bandeja para drenaje de grasa	P02706247B	1	P02707095B	1
35	Receptáculo para la grasa	P02701087B	1	P02701087B	1
36	Repisa lateral, izquierdo	P01102050C	1	P01102050C	1
37	Panel decorativo para repisa lateral, izquierdo	P07503006A	1	P07503006A	1
38	Repisa inferior de la carreta	P01002063D	1	P01004066D	1
39	Panel posterior de la carreta	P07702085B	1	P07702086B	1
40	Patas de la carreta con panel lateral, izquierdo	P07617040B	1	P07617040B	1
41	Patas de la carreta con panel lateral, derecho	P07618006B	1	P07618006B	1
42	Soporte delante de la carreta	P03305028R	1	P03305053R	1
43	Placa del tope de la puerta	P05510002B	4	P05510002B	4
44	Placa guía de la puerta	P055100064	1	P055100064	1
45	Puerta,	P04301037J	2	P04301038J	2
46	Imán de la puerta	P05523002K	4	P05523002K	4
47	Moldura de la puerta	P07510026N	2	P07510027N	2
48	Espaciador de la puerta	P06801010G	4	P06801010G	4
49	Manija de la puerta	P00201003I	2	P00201003I	2
50	Rueda 3 pulgadas, con freno	P05106004A	4	P05106004A	4

## Lista de partes - Modelos 141.16313800 & 141.16315800

CÓDIGO	DESCRIPCIÓN DE LAS PARTES	16313 PARTE #	UNIDADES	16315 PARTE #	UNIDADES
51	Soporte de la bisagra de la placa, izquierda	P03313004D	1	P03313004D	1
52	Soporte de la bisagra de la placa, derecha	P03313002D	1	P03313002D	1
53	Regulador con manguera	P03601038A	1	P03601038A	1
54	Panel-tabique de la carreta, izquierdo	—	—	P07512001D	1
55	Panel-tabique de la carreta, soporte izquierdo	—	—	P03303014J	1
56	Ensamblaje del palillo encendedor	P05313010B	1	P05313010B	1
57	Peso A	P05344006Q	1	P05344006Q	1
58	Peso B	P05344005Q	1	P05344005Q	1
59	Soporte para la Tapa Protectora del Viento	P033280534	2	P033280534	2
60	Protector de calor del tanque de gas	P06911004F	1	P06911004F	1
61	Tapa protectora para el viento	P069060734	1	P069060744	1
62	Ensamblaje del Soporte protector del encendedor eléctrico	P03343005A	1	P03343005A	2
63	Soporte del panel de control	P03327051R	1	P03327051R	1
A1	Armazón del fogón lateral	P01104042C	1	P01104042C	1
A2	Cuerpo del fogón lateral	P02302012D	1	P02302012D	1
A3	Tapa del fogón lateral	P00115345K	1	P00115345K	1
A4	Suporte de la olla del fogón lateral	P00805013G	1	P00805013G	1
A5	Electrodo del fogón lateral	P02607007A	1	P02607007A	1
A6	Ensamble de la válvula de gas del fogón lateral con la manguera	Y0060504	1	Y0060504	1
A7	Perilla de control para el fogón lateral	P03401373H	1	P03401373H	1
A8	Base de la perilla de control	P03432013J	1	P03432013J	1
A9	Fogón lateral con anillo de bronce	P02002055D	1	P02002055D	1
A10	Soporte del fogón lateral	P02215072E	1	P02215072E	1
A11	Soporte del cuerpo del fogón lateral	P03305011D	2	P03305011D	2
A12	Panel decorativo para armazón del fogón lateral	P07502016A	1	P07502016A	1
B1	Ensamble del fogón del rotisor	P02007069D	1	P02007069D	1
B2	Orificio del fogón del rotisor	P06534012A	1	P06509026A	1
B3	Tubo de extensión del fogón del rotisor	P03717049B	1	P03717041A	1
B4	Caja colectora de gas del fogón del rotisor	P026210044	1	P026210044	1
B5	Termopar del fogón del rotisor	P05305025A	1	P05305026A	1
B6	Electrodo del fogón del rotisor	P02614050M	1	P02614051M	1
B7	Protector de viento del fogón del rotisor	P06905058B	1	P06905059B	1
B8	Perilla de control del fogón del rotisor	P03419493H	1	P03419493H	1
B9	Base de la perilla de control	P03415073I	1	P03415073I	1
B10	Armazón del fogón del rotisor	P02011057E	1	P02011058E	1
	Paquete de ferretería	P06001064B	1	P06001065B	1
	Guía para el uso y cuidado	P80165005H	1	P80165005H	1

Para reparaciones o reemplazo de partes necesarias llame durante cualquier hora día o noche

**1-800-4-MY-HOME®** (1-800-469-4663)

Para obtener las partes correctas de reemplazo para la carreta de servir, por favor a los números de partes indicados en esta lista. La siguiente información es requerida para asegurarse que recibirá las partes correctas:

1. Modelo y Número de Serie (Ver la placa CSA en la parrilla)
2. Número de la parte
3. Descripción de la parte
4. Cantidad de partes requeridas

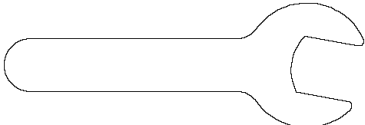
**Importante:** Sólo use partes autorizadas por la fábrica. El uso de cualquier parte que no sea autorizada puede ser peligroso y le anulará la garantía del producto. Mantenga el Manual de Operación en un lugar conveniente para su referencia y lista de partes.



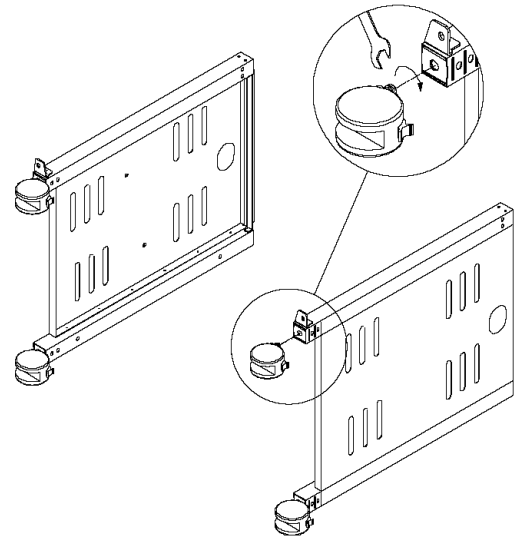
# Instrucciones de ensamblaje

## 1 Instale las ruedas

- Coloque los paneles laterales de la carreta sobre el cartón. Instale las cuatro (4) ruedas dentro del asiento de las ruedas como se muestra en la figura.

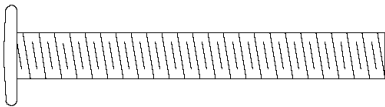


Llave inglesa/ #17 hecha a la medida  
Unidad 1  
Parte # P05515101L  
Escala 1:2

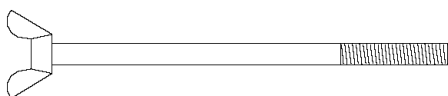


## 2 Instale los paneles laterales de la carreta a repisa inferior de la carreta

- Atornille el tornillo mariposa y la tuerca especial a la bandeja para deslizar el tanque. (Nota: Asegúrese de no apretarlas con seguridad antes de fijar el panel trasero).
- Instale los paneles laterales de la carreta a repisa inferior de la carreta. (los partes están identificadas L=izquierda y R=derecha).



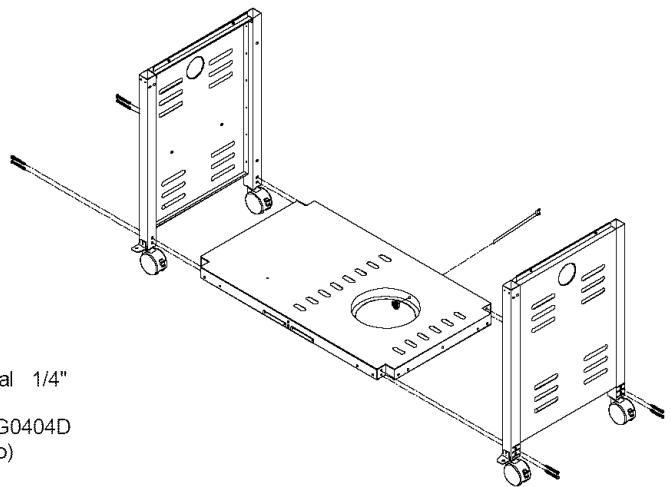
Tornillo de cabeza Phillips 1/4"x2"  
Unidades 8  
Part # S112G0432A  
(Pintado Negro)



Tornillo Mariposa 1/4"x6-11/16"  
Unidad 1  
Parte # S233G04572  
(Pintado Negro)  
Escala 1:2

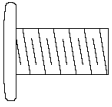


Tuerca especial 1/4"  
Unidad 1  
Parte # S303G0404D  
(Pintado Negro)  
Escala 1:2

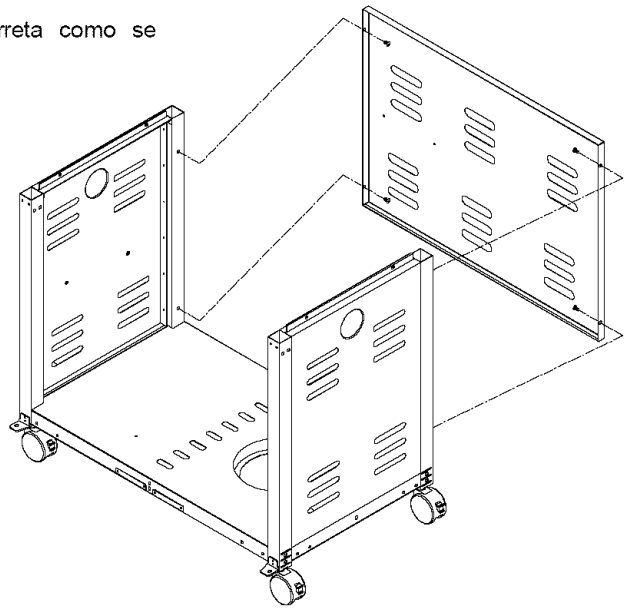


### 3 Instale el panel trasero de la carreta

- Instale el panel trasero entre las patas de la carreta como se muestra en el dibujo.
- Apriete todos los tornillos con seguridad.

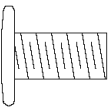


Tornillo de cabeza Phillips 1/4"x1/2"  
Unidades 4  
Parte # S112G0408A  
(Pintado Negro)

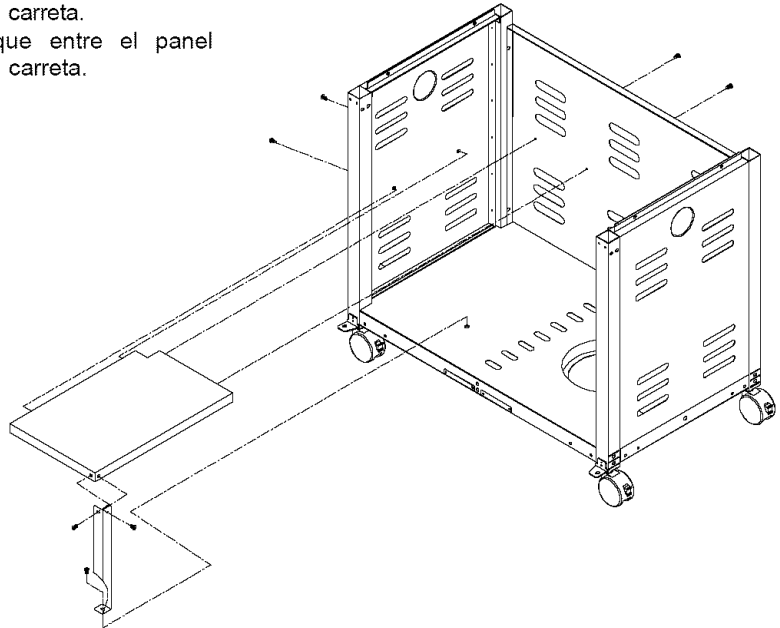


### 4 Instale el panel tabique (Sólo para el Modelo 141.16315800)

- Instale el panel tabique al panel lateral de la carreta izquierdo y al panel trasero de la carreta.
- Instale el soporte del panel tabique entre el panel tabique y la repisa inferior de la carreta.

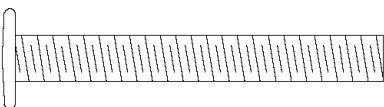


Tornillo de cabeza Phillips 1/4"x1/2"  
Unidades 7  
Parte # S112G0408A  
(Pintado Negro)

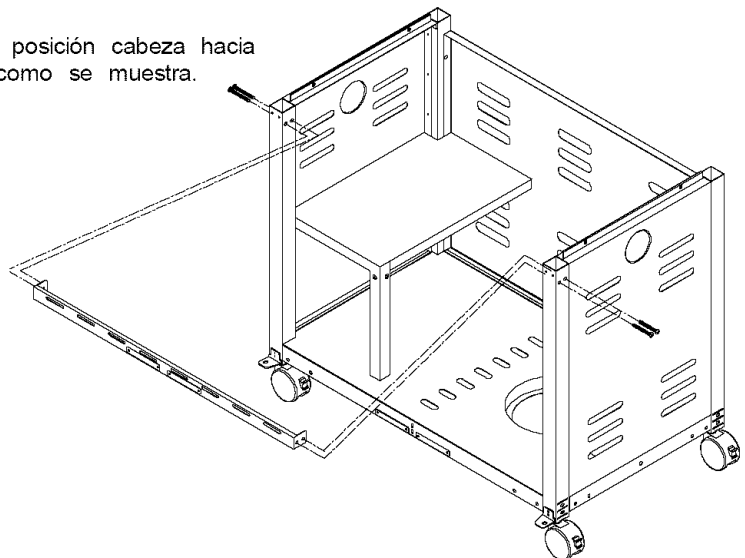


### 5 Instale el soporte de la puerta

- Instale el soporte de la puerta en la posición cabeza hacia arriba entre las patas de la carreta como se muestra.

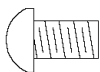


Tornillo de cabeza Phillips 1/4"x2"  
Unidades 4  
Parte # S112G0432A  
(Pintado Negro)

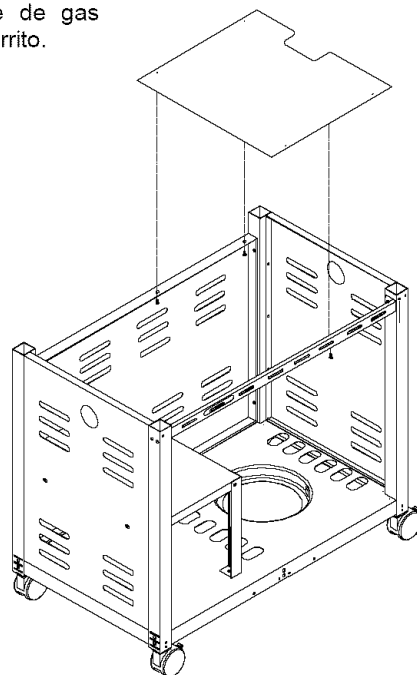


## 6 Instalar el Protector de Calor del Tanque de Gas.

- Alinee los tres agujeros en el Protector de calor del Tanque de gas con los soportes de los paneles frontales y traseros del carrito.
- Introduzca los 3 tornillos de estrella Phillips M4x5mm desde la parte inferior del protector de calor del tanque de gas y apriételos con seguridad.

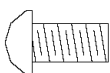


Tornillo de cabeza Phillips M4x5mm  
Unidades. 3  
Parte # S112M0405A  
(Pintado Negro)



## 7 Instale la puerta

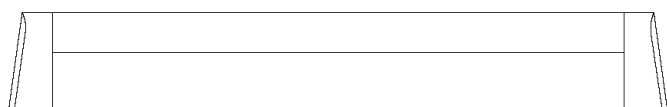
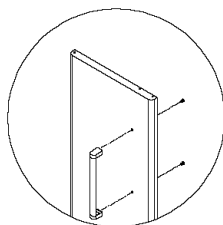
- Instale la manija a la puerta derecha usando tornillo de cabeza Phillips M4x8mm
- Sostenga la puerta derecha e instale el soporte de la bisagra superior a la pata derecha de la carreta usando tornillo de cabeza Phillips 3/16"x3/8".
- Inserte el poste inferior de la puerta dentro de la bisagra inferior del soporte de la puerta.
- Repita el proceso para la puerta izquierda.
- Instale la placa guía de la puerta a la repisa inferior de la carreta usando tornillos de cabeza Phillips 3/16"x3/8".  
(Nota: Etiqueta descriptiva en la puerta derecha).



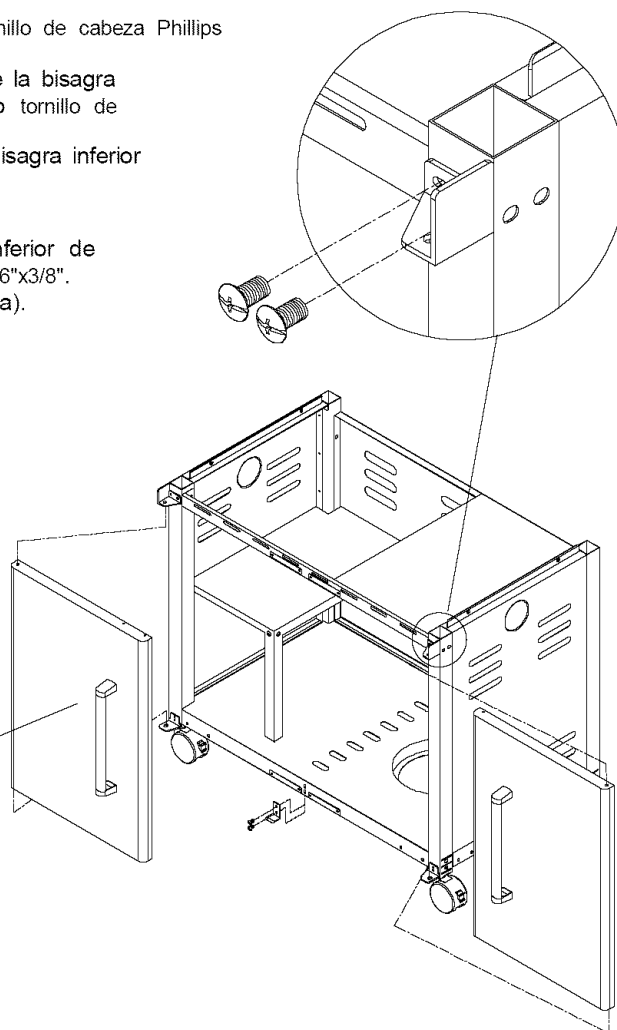
Tornillo de cabeza Phillips M4x8mm  
Unidades 4  
Parte # S112M04084  
(Pintado Acero)



Tornillo de cabeza Phillips 3/16"x3/8"  
Unidades 6  
Parte # S112G0306A

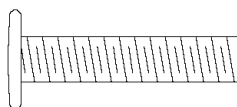


Manija de la puerta  
Unidad 2  
Parte # P00201003I  
Escala 1:3

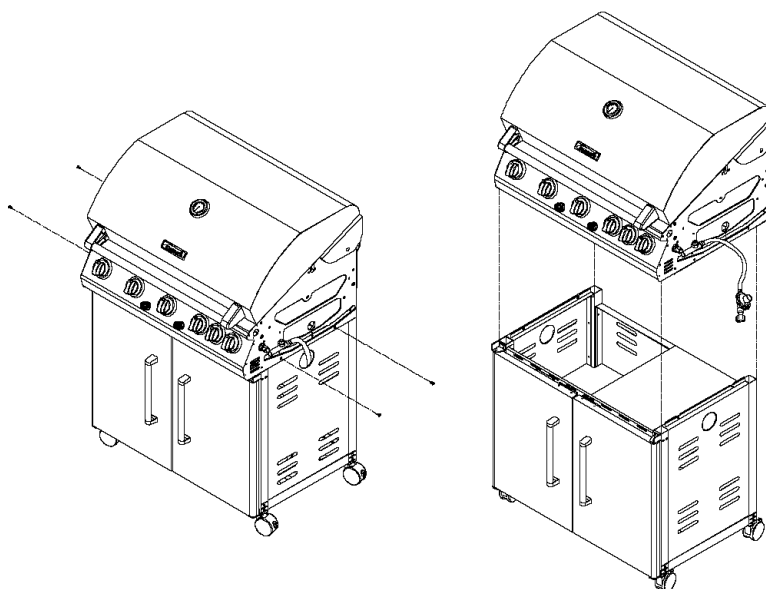


## 8 Instale el Tazón de la parrilla

- Remueva los componentes de cocinar del cabezal de la parrilla. Con un ayudante, coloque y posicione el cabezal de la parrilla sobre la carreta.
- Usando los tornillos de cabeza Phillips 1/4"x1-3/16", apriételos bien.

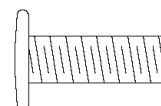


Tornillo de cabeza Phillips 1/4"x1-3/16"  
Unidades 4  
Part # S112G0419A  
(Pintado Negro)

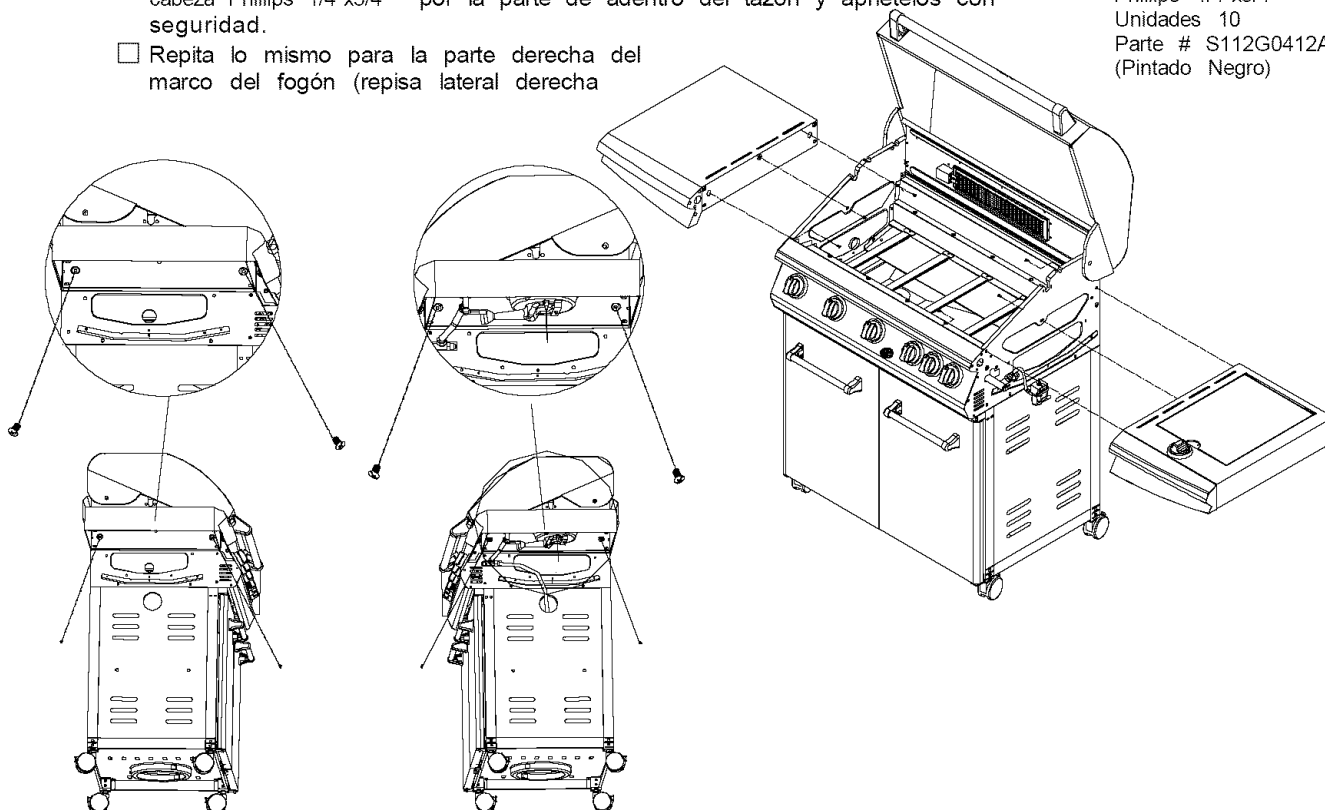


## 9 Instalando la repisa lateral y marco del fogón lateral

- Alinee los dos hoyos en los paneles frontales y traseros del tazón y los 3 hoyos del panel izquierdo del tazón con los hoyos enroscados en la parte izquierda del tazón. Inserte 3 tornillos de cabeza Phillips 1/4"x3/4" por la parte de adentro del tazón.
- Alinee los dos hoyos en la parte de abajo de la repisa izquierda con los hoyos enroscados del panel izquierdo del tazón. Inserte 2 tornillos de cabeza Phillips 1/4"x3/4" por la parte de adentro del tazón y apriételos con seguridad.
- Repita lo mismo para la parte derecha del marco del fogón (repisa lateral derecha)



Tornillo de cabeza Phillips 1/4"x3/4"  
Unidades 10  
Parte # S112G0412A  
(Pintado Negro)



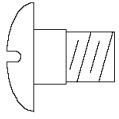
Vista interna lateral de la repisa lateral izquierda

Vista interna lateral del marco del fogón lateral derecho (repisa lateral derecha)

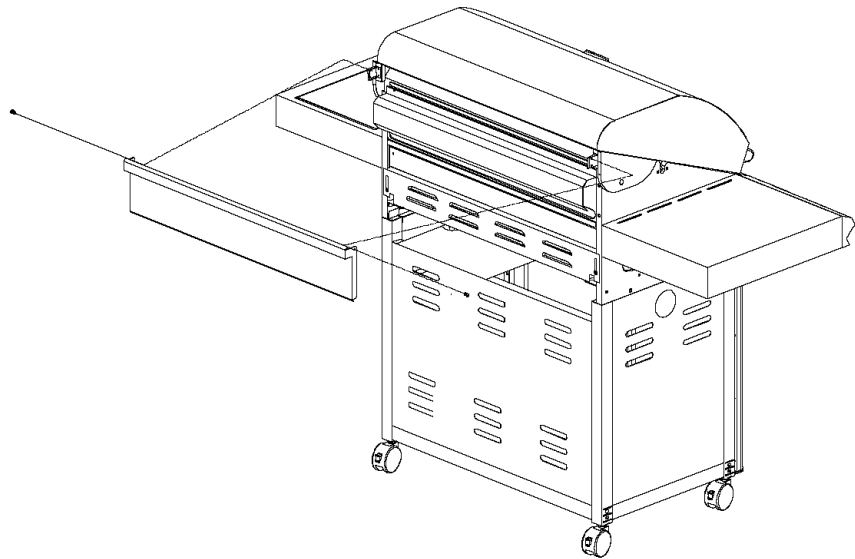
## 10

### Instalar la tapa Protectora del Viento

- Alinee los dos agujeros en el lado superior de la tapa protectora del viento trasera con los agujeros de rosca en el soporte de la tapa protectora de viento trasera. Inserte 2 tornillos de cabeza Phillips 3/16"x5/16" por la parte de adentro del tazón y apriételos con seguridad.



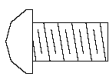
Tornillo de cabeza Phillips  
3/16"x5/16"  
Unidades 2  
Parte # S275G0305A



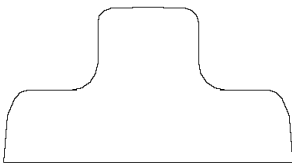
## 11

### Instale la válvula de gas del fogón lateral y el alambre del electrodo del fogón lateral.

- Corte la tira sujeción que asegura el soporte de la olla al quemador.
- Inserte el ensamble de la válvula de gas del fogón dentro del tubo del fogón. (Vea la figura 1). Asegúrese que el orificio esté correctamente dentro del tubo del fogón (vea la advertencia en la página 3), o al encender el fogón puede causar una explosión o incendio.
- Inserte el ensamble de la válvula de gas a través del hoyo para la válvula de gas en el marco del fogón lateral. Alinee los 2 hoyos en el marco del fogón lateral con los hoyos enroscados en el soporte de la válvula de gas del fogón lateral. Luego inserte los dos (2) tornillos de cabeza Phillips M4x8mm con las arandelas proporcionadas y apriételos con seguridad.
- Coloque la perilla de control en el tallo de la válvula de gas del fogón lateral. Asegúrese que la posición de OFF esté alineada con el frente del fogón.
- Empuje la toma del cable de electrodo del quemador lateral en el enchufe. (Vea la figura 2).



Tornillo de cabeza Phillips  
M4x8mm  
Unidades 2  
Parte # S112M04082  
(Pintado Negro)



Perilla de control para el  
fogón lateral  
Unidad 1  
Parte # P03401373H  
Escala 1:2

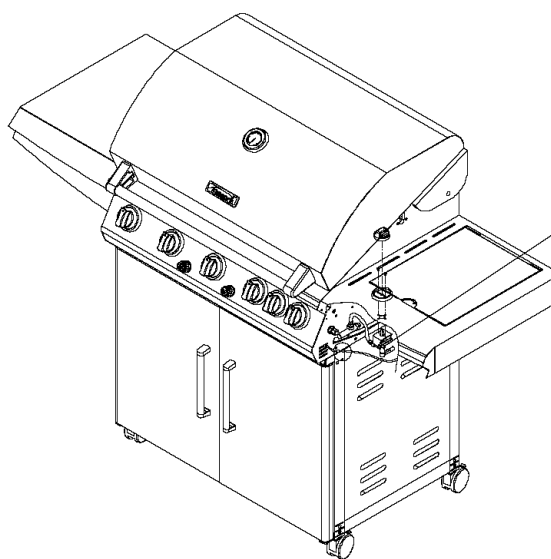


Figura 1

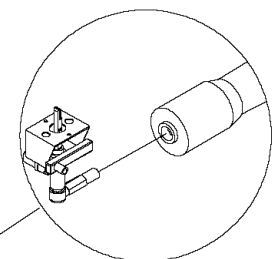
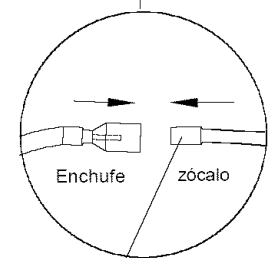


Figura 2



Alambre del electrodo del  
fogón lateral

## 12

### Instale la bandeja para drenar la grasa

- Afloje los tornillos y levante el Panel del bol superior trasero.
- Deslice las lengüetas laterales de la bandeja ensamblada por encima de los carriles debajo del tazón de la parrilla. ( Vea la Fig. 3.).
- Deslice hacia abajo el panel del bol superior trasero y apriete los tornillos con seguridad. ( Vea la Fig. 4.).
- Instale el receptáculo para la grasa debajo de la bandeja para drenar grasa a través del frente de la parrilla. ( Vea la Fig. 5.).

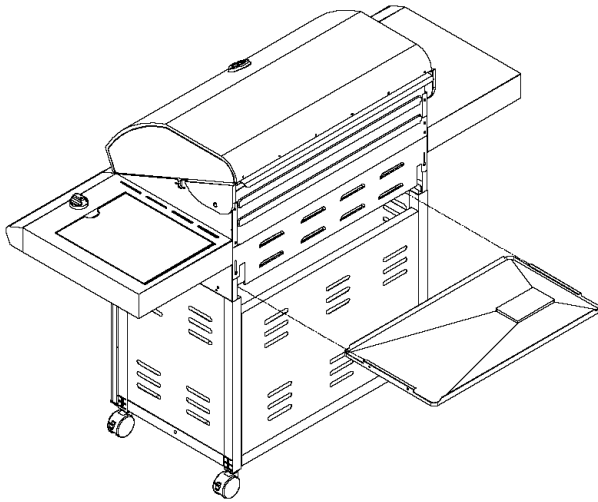


Figure 3

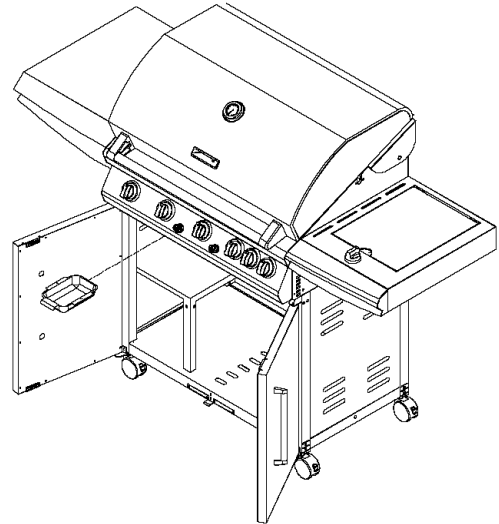


Figure 5

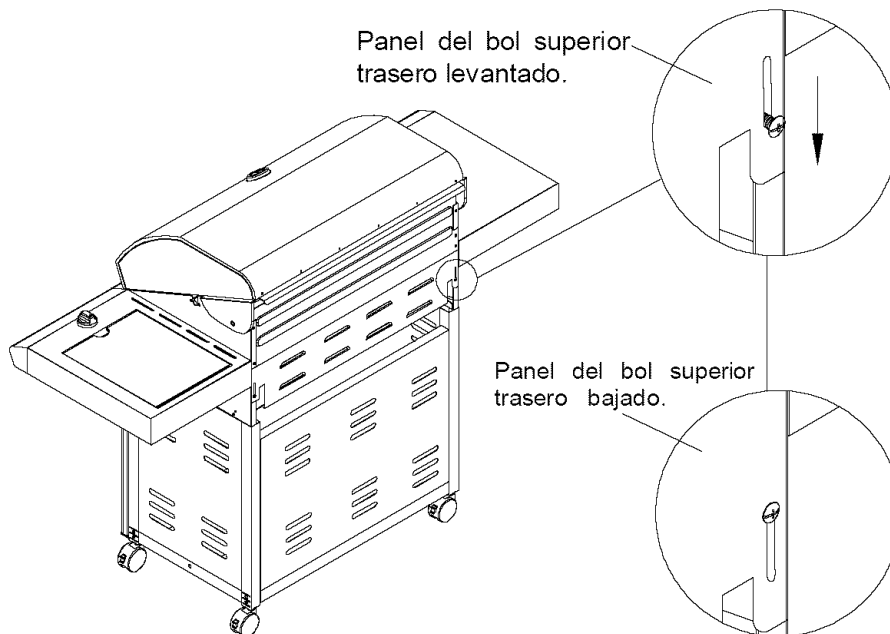


Figure 4

## 13

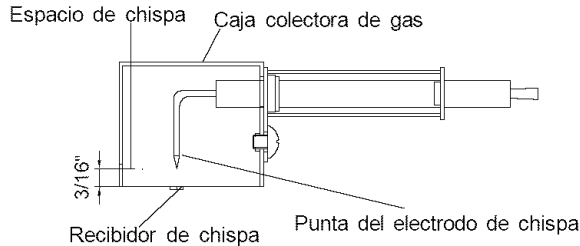
### Instale la batería del encendedor

- Remueva la tapa del encendedor del panel de control.
- Coloque las baterías AA en la ranura del encendedor con el polo positivo cara a usted.
- Posicione la tapa y el resorte por encima de las baterías AA y apriételas contra el panel de control.

## 14

### Inspección de los electrodos de los fogones principales. Ejecute esto con la ayuda de otra persona

Esta prueba le asegura que las puntas del electrodo de chispa estén correctamente posicionadas para que su parrilla encienda sin dificultad.

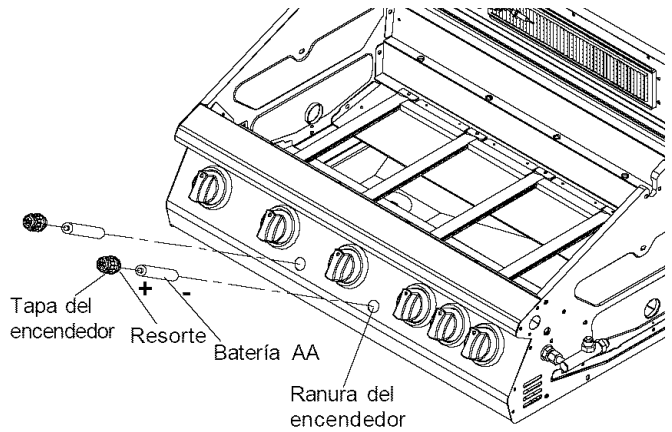


- Asegúrese que todas las perillas de Control estén puestas en "OFF" y abra la tapa de la parrilla.
- Su ayudante debe pararse detrás de la derecha de la parrilla y mirar hacia el frente del tazón de la parrilla. **Nunca** ponga la cara dentro del cabezal de la parrilla.
- Presione la tapa del encendedor. Debe escuchar un sonido de "clic." Su ayudante debe ver una chispa azul dentro de cada Caja colectora de gas. Si hay chispa las puntas del electrodo están correctamente posicionadas.
- Si NO ve chispa, la distancia entre los electrodos tiene que ajustarse así:
  - Usando una llave inglesa, afloje la tuerca interior hasta que la caja colectora de gas pueda girarse hacia arriba.
  - Si el espacio entre la punta del electrodo de chispa y el recibidor es más de 3/16" use un alicate de boca larga para apretar suavemente la caja colectora de gas para reducir el espacio.
  - Devuelva la caja colectora de gas a su puesto original, asegure la tuerca interna y pruebe la chispa del electrodo de nuevo. Si no escucha ningún sonido de un "clic":
    - Las baterías AA están instaladas al revés.
    - Los alambres electrónicos están sueltos. Remueva las baterías AA e inspeccione la caja de juntura del encendedor que se encuentra detrás del Panel de control y vuelva a reconectar cualquier alambre suelto.

## 15

### Inspección del electrodo de los fogones laterales

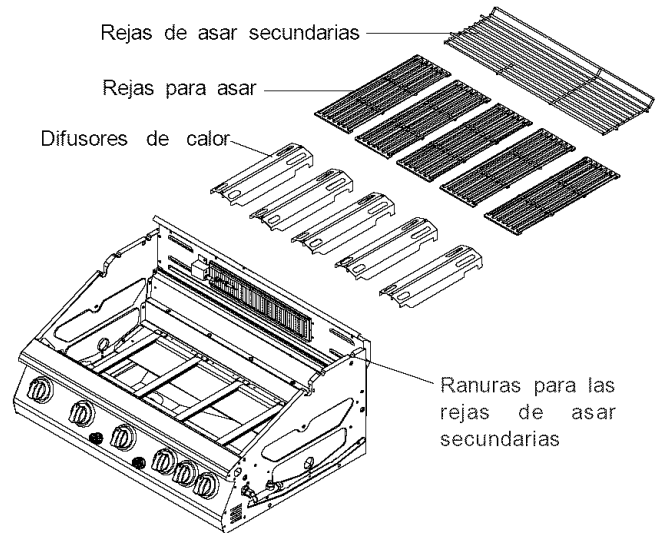
- Abra la tapa del fogón lateral. Remueva la banda plástica de envoltura de la olla.
- Gire la perilla del fogón lateral a IGN y empuje. Debe ver una chispa azul entre la punta del electrodo y el fogón.
- Abra la tapa. Gire la perilla de control del fogón de atrás a IGN y empuje. Fijese si ve la chispa entre el electrodo y el fogón.
- Si no ve una chispa del electrodo en los fogones traseros o laterales, ajuste la distancia entre el electrodo y el fogón a + 3/16".



## 16

### Instale los componentes para cocinar

- Coloque los Difusores de calor de cerámica sobre el reborde encima de los fogones.
- Coloque las rejas para asar en el reborde del tazón.
- Coloque las rejas secundarias dentro de las ranuras en los paneles laterales del tazón de la parrilla.



Modelo 141.16315800

## Paso final del ensamblaje de la parrilla

Quando haya terminado de ensamblar su parrilla asegúrese que todos los tornillos estén bien apretados para una operación segura.





Fallo en leer y seguir las instrucciones del uso y cuidado de la parrilla puede causar una explosión que puede producir serias lesiones al cuerpo, muerte o daños a la propiedad.

# Instalación del tanque de gas LP


## USO CORRECTO DEL TANQUE DE GAS LP

- Los modelos de la parrilla de gas LP están diseñados para uso con un tanque estándar de 20 libras, (no incluido con la parrilla). **Nunca** conecte su parrilla de gas a un tanque de gas LP que sobrepasa esta capacidad. Un tanque aproximadamente de 12 pulgadas de diámetro y 18-1/2 pulgadas de altura es el tanque de gas LP de tamaño máximo para usarse. **Usted debe usar un tanque de gas "OPD" que brinda un dispositivo de prevención de sobrellenado.** Este control impide que el tanque se sobrellene lo cual puede causar mal funcionamiento del tanque de Gas LP, regulador y/o la parrilla.
- El tanque de gas LP debe ser construido y marcado en conformidad con las especificaciones de cilindros LP de gas del Ministerio de Transporte (D.O.T) de U.S.A. o el **Estándar nacional del Canadá, Canada/ CSA - B339**, cilindros, esferas y tubos para el transporte de artículos peligrosos; y Comisión como sea aplicable.
- El tanque de gas LP debe tener una válvula de cierre, terminando en la salida de la válvula del tanque de suministro de gas LP, que sea compatible con un dispositivo de conexión Tipo 1. El tanque de gas LP debe tener un dispositivo de seguridad con una conexión directa con el espacio de vapor del tanque.
- El sistema de suministro de tanque debe estar organizado para el retraimiento de vapor.
- El tanque de gas LP usado debe tener un cuello para proteger la válvula de tanque.
- Nunca** conecte un tanque de gas LP irregulado a su parrilla de gas. El regulador de gas proporcionado con su parrilla está ajustado para una presión de tomacorriente de columna de agua 11 " (W.C.) para la conexión a un tanque de gas LP. Solamente use el regulador y el ensamble de manguera proporcionadas con su parrilla de gas. **Sustitución de reguladores y ensambles de manguera deben ser los especificados por Kenmore.** Vea la lista de partes.
- Haga que su comerciante de gas LP inspeccione la válvula de nivel de gas después de cada llenado y que le asegure que está libre de defectos.
- Almacene siempre el tanque de Gas LP en una posición vertical.
- No sujete el tanque de gas LP a un calor excesivo.
- Nunca** guarde un tanque de gas LP dentro de la casa. Si usted guarda su parrilla de gas en el garaje, **siempre** desconecte el tanque de gas LP y almacénelo afuera.
- Los tanques de gas LP deben ser almacenados fuera de la casa en un área bien ventilada y fuera del alcance de niños.
- Los tanques de gas LP desconectados no deben guardarse en edificios, garajes o cualquier área cerrada.
- El regulador y el ensamble de las mangueras se pueden ver al abrir las puertas (si es aplicable) y deben ser inspeccionados antes de cada uso de la parrilla. Si hay cortadas, daños excesivos o si la manguera ha sido muy doblada, deben ser reemplazado antes de usar la parrilla otra vez.
- Nunca** encienda su parrilla de gas con la tapa cerrada o antes de asegurarse que los tubos de los fogones estén bien colocados dentro del orificio de la válvula de gas.
- Nunca** permita que niños operen su parrilla. No permita que niños o mascotas jueguen cerca de su parrilla.

- El uso de alcohol, recetado o en medicamentos vendidos sin prescripción puede afectar su habilidad para apropiadamente ensamblar y operar su parrilla sin peligro.
- Mantenga el extintor fácilmente accesible. En caso de un fuego de grasa, no trate de extinguirlo con agua. Use un extintor tipo B o use tierra, arena o bicarbonato.
- En el evento de lluvia, apague el fogón y el suministro de gas y cubra la parrilla.
- Use su parrilla sobre una superficie horizontal y estable en un área lejos de materiales combustibles.
- No deje la parrilla desatendida cuando está en uso.
- No mueva el aparato cuando está en uso.
- Permita que la parrilla se enfríe antes de la moverla o almacenarla.
- No use su parrilla como un calentador.
- Esta parrilla no es para ser instalada en caravanas, botes y/o vehículos de recreo.

**ADVERTENCIA**

A. **No** almacene su tanque extra de Gas LP debajo o cercano a este aparato;  
B. **Nunca** llene el tanque a más del 80% de lleno;  
C. Si la información en "(A)" y "(B)" no se sigue con exactitud, un incendio causando muerte o lesiones serias puede ocurrir.

**ADVERTENCIA**

- Use su parrilla por lo menos a una distancia de 3 pies de cualquier pared o superficie. Use su parrilla por menos a una distancia de 3 pies de objetos combustibles que pueden derretirse o incendiarse (como vinilo o tabla de forro de madera, cercas y salientes) u otros orígenes para encender incluyendo llamas del piloto de calentadores de agua y aparatos eléctricos.
- Los aparatos de gas para cocinar al aire libre no se deben usar bajo techos o sobresalientes.
- **Nunca** use su parrilla de gas dentro de un garaje, porche, cobertizo, pasabrisas o cualquier área encerrada.
- **Nunca** obstruya la circulación de aire al rededor de su parrilla.
- En condiciones de vientos fuertes, siempre coloque el delantero de la parrilla cara hacia el viento para reducir que el humo y calor le peguen a su cara y prevenir posibles peligros hacia usted y la parrilla.



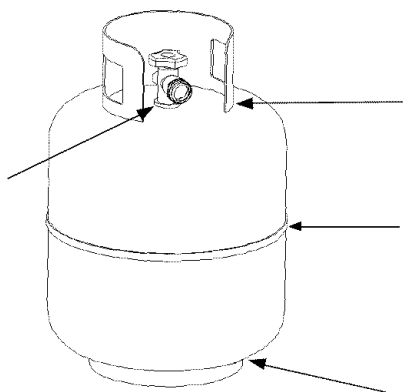



## Nota: Programas para tanques de gas LP

- Muchos vendedores de parrillas al por menor le ofrecen la alternativa de reemplazar su tanque de gas LP vacío a través de un servicio de intercambio. Use solamente esas compañías de intercambio reputables que inspeccionan, llenan a presión, evalúan y certifican su tanque. Cambie su tanque solamente por un tanque de seguridad OPD - equipado como se describe en la sección de tanque de gas LP de este manual.
- Mantenga su tanque de gas LP en una posición vertical durante su uso, tránsito o almacenamiento.
- Haga pruebas de escape en su nuevo tanque antes de conectarlo a su parrilla.


## Como hacer pruebas de escapes en su tanque LP Para su seguridad:

- Debe repetir las pruebas de escape cada vez que su tanque de gas LP se cambia o es vuelto a llenar.
- No fume cuando está buscando escapes de gas.
- No use llama viva cuando esta buscando escapes de gas.
- Su parrilla debe ser probada por escapes fuera de la casa en una área bien ventilada, alejadas de orígenes de encendido como aparatos de gas o eléctricos. Mantenga la parrilla alejada de llamas vivas o chispas.
- No use limpiadores domésticos. Puede resultar en daño a los ensamblajes y sus componentes.
  - Use una brocha limpia y una solución enjabonada de 50/50 jabón/agua.
  - Pinte la solución enjabonada en el tanque de gas LP en las áreas demostradas por las flechas. Vea el diagrama.
  - Si se forman burbujas no use o cambie de lugar el tanque de gas LP. Llame a un proveedor de gas de LP o al Departamento de Bomberos.





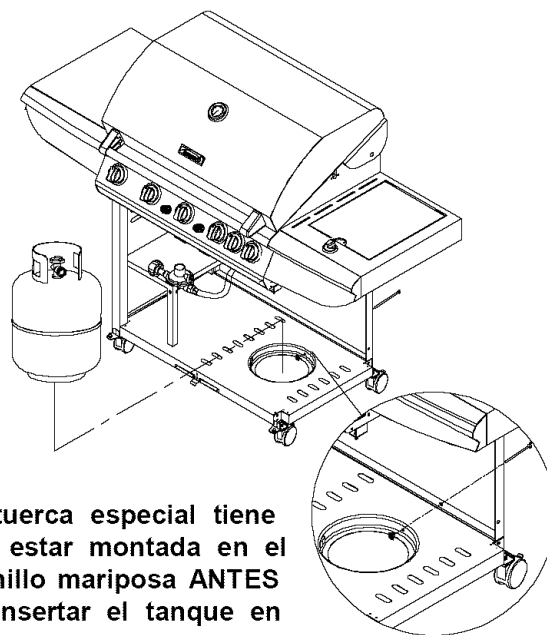
## ADVERTENCIA



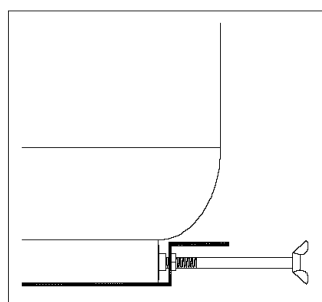
Si se forman burbujas y siguen aumentando no use o mueva el tanque de gas LP ¡Póngase en contacto con su proveedor de gas LP o el Departamento de Bomberos!

## Para instalar un tanque de gas LP (Modelo LPG solamente): Asegure a la parrilla un tanque de gas LP de 20lbs.

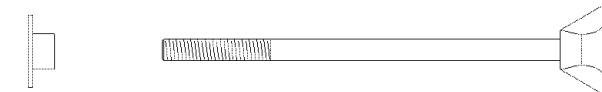
- Atornille el tornillo mariposa y la tuerca especial a la bandeja para deslizar el tanque.
- Gire la válvula de gas LP hacia la derecha a la posición OFF.
- Coloque el tanque LP dentro del hueco para sostener el tanque (en algunos modelos) en la repisa de abajo. Deslice la bandeja del tanque hasta que esté totalmente extendida y fuera del gabinete. La bandeja del tanque tiene un cierre automático y es posible que tenga que jalarla de una manera firme.
- Instale el tanque de manera que la válvula del tanque mire hacia el frente de la esquina derecha del gabinete.
- Asegure el tanque con la tuerca especial y el tornillo mariposa.



**La tuerca especial tiene que estar montada en el Tornillo mariposa ANTES de insertar el tanque en el hueco.**



**Con la tuerca especial, el tornillo mariposa mantiene firme el pie del tanque.**

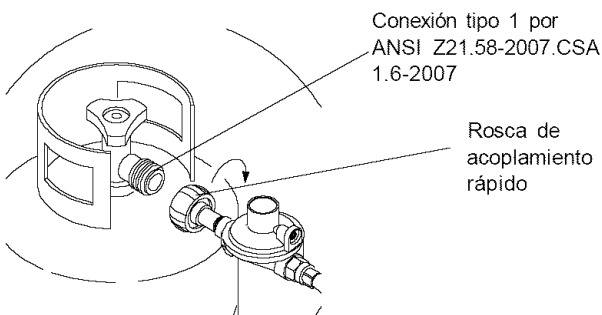


Tuerca especial 1/4"      Tornillo Mariposa 1/4"x6-11/16"  
Unidad 1                      Unidad 1  
Parte # S303G0404D      Parte # S233G04572  
(Pintado Negro) Escala 1:2      (Pintado Negro) Escala 1:2

**NOTA:** Hay cantidad de tanques de gas propano con los cuellos de abajo de muchos tamaños, especialmente con la popularidad de los programas de intercambio de tanques. Si el cuello de abajo de su tanque no cabe en el hueco de abajo de su parrilla después de haber colocado la tuerca especial en el tornillo mariposa, simplemente remueva la tuerca especial y asegure el tanque usando sólo el tornillo mariposa.

**Solamente para el modelo de gas LP:  
Conecte el regulador con la manguera a  
su tanque LPG**

- Gire todas las válvulas del fogón hacia a OFF.
- Inspeccione el puerto de conexión de la válvula y el ensamble del regulador por daños o escombros. Retire cualquier escombros. Nunca use equipo dañado u obstruido.
- Conecte el ensamble del regulador a la válvula del tanque y a la rosca de acoplamiento rápido APRIÉTELA A MANO hacia la derecha. NO USE una llave inglesa para apretar porque podría dañar la rosca de acoplamiento-rápido y resultar en una situación peligrosa.
- Abra la válvula del tanque 1/4 a 1/2 (girando hacia la izquierda) y use una solución de agua enjabonada para examinar todas las conexiones en busca de escapes antes de intentar encender su parrilla. Vea "**Buscando escapes de gas LP**". Si encuentra un escape, cierre la válvula de tanque y no use su parrilla hasta que el escape sea arreglado.

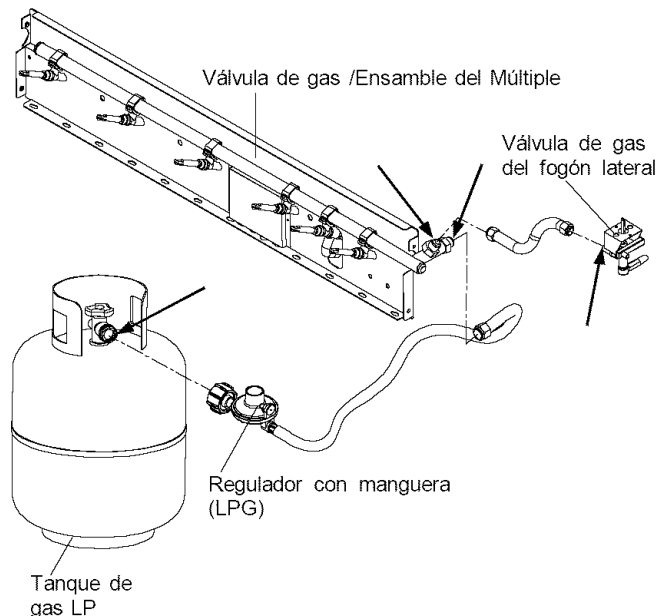


**CUIDADO:** Cuando el aparato no está en uso el gas debe ser desconectado del tanque. Coloque la tapa del polvo sobre la salida de la válvula del cilindro siempre que el cilindro no esté siendo utilizado. Instale solamente el tipo de tapa de polvo proporcionada con la válvula del cilindro sobre la válvula de salida del cilindro. Otros tipos de tapas o taponos pueden causar fugas de propano.

**Debe chequear todas las conexiones por escapes de gas**

**Nunca** use una llama viva para hacer pruebas de escapes. Haga la prueba en el primer uso y luego en cada temporada anual, o cuando reemplaza el tanque vacío por un tanque de gas LP lleno. Debe asegurarse que no hayan escapes de gas. Siga estos tres pasos:

- Haga una solución de jabón mezclando detergente líquido con agua una parte jabon: a una de agua.
- Gire las perillas de Control del fogón por completo a la posición OFF, luego encienda el gas (ON) en su punto de origen.
- Aplique la solución de jabón a todas las conexiones de gas indicadas por las flechas. Vea el diagrama. Si se forman burbujas en las conexiones debe apretar mejor la conexión porque no está bien sellada. Verifique cada juntura y apriete o repare como sea necesario.



**ADVERTENCIA**

Si usted tiene un escape de gas que no se puede reparar apretando la tuerca, cierre el gas en su punto de origen, desconecte la línea del combustible a su parrilla y llame 1-800-4-MY-HOME® o a su suplidor de gas para que le ayude.

**Desconectando el tanque de gas propano líquido (LPG) de su parrilla**

- Asegúrese que las válvulas del fogón y del tanque de gas LP estén cerradas. (Gírelas hacia la derecha para cerrarlas.)
- Separe el ensamble de la manguera de la válvula del tanque de gas LP girando la rosca de acoplamiento-rápido hacia la izquierda.

# INSTRUCCIONES DE USO Y CUIDADO

## Instrucciones para encender la parrilla

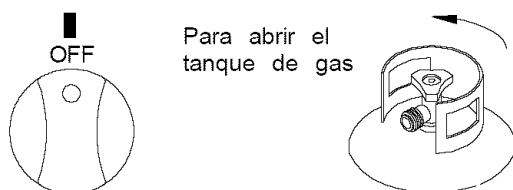
1. Antes de usarse, examine todas mangueras en busca de rajaduras, cortes, reducciones, quemaduras o rasguños. Si una manguera está dañada, no use su parrilla antes de reemplazar la manguera con una pieza autorizada. También asegúrese que todas las conexiones de suministro de gas estén bien apretadas.
2. Familiarícese con la seguridad, uso y cuidado en este manual. No fume mientras enciende la parrilla o está chequeando las conexiones de gas.
3. Asegúrese que el tanque de gas LP esté lleno.
4. Abra la tapa de la parrilla.



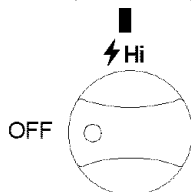
## ADVERTENCIA

Fallo en reemplazar una manguera defectuosa, asegurar las conexiones del suministro de gas o en abrir la tapa antes de seguir el proceso para encender pueden resultar en un fuego o explosión que pueden causar lesiones serias y/o daños materiales.

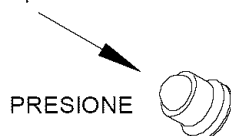
5. Empuje y gire las perillas de control a OFF y gire la válvula de gas **DESPACIO 1/4 de vuelta**.



6. Empuje y gire la perilla de control a **Hi**



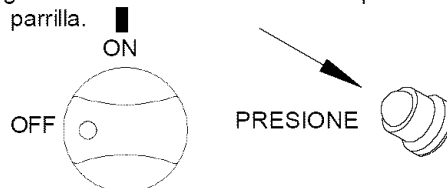
7. Inmediatamente presione el encendedor eléctrico entre 3-4 segundos para encender el fogón.



8. Si no enciende en 5 segundos, cierre el gas en el origen de suministro y gire las perillas de control a OFF. Espere por lo menos 5 minutos para aclarar el gas, y vuelva a tratar. Si su parrilla aún no enciende gire las perillas de control del fogón y el suministro de gas a OFF y realice una prueba de escapes en TODAS las conexiones de gas y orígenes del suministro de gas como se explica en la sección de "Uso y Cuidado". Si no hay escapes, espere 5 minutos para aclarar el gas y repita el procedimiento.
9. Después que el fogón está encendido gire la perilla de nuevo a HIGH a y gire la válvula del tanque **DESPACIO** otro 1/4 de vuelta.
10. Gire la perilla a **Hi** para encender los otros fogones a medida que se acerca al origen del suministro de gas.

## Instrucciones para encender el fogón trasero

1. Siga los pasos del 1 al 4 para encender la parrilla.
2. Empuje hacia adentro y gire la perilla de control hacia ON. Inmediatamente presione por 10 segundos el encendedor eléctrico para encender la parrilla.



3. Si no enciende en 5 segundos, cierre el gas en el origen de suministro y gire las perillas de control a OFF. Espere por lo menos 5 minutos para aclarar el gas, y vuelva a tratar. Si su parrilla aún no enciende gire las perillas de control del fogón y el suministro de gas a OFF y realice una prueba de escapes en TODAS las conexiones de gas y orígenes del suministro de gas como se explica en la sección de "Uso y Cuidado". Si no hay escapes, espere 5 minutos para aclarar el gas y repita el procedimiento.
4. Después que el fogón está encendido, gire **DESPACIO** la válvula del tanque 1/4 de vuelta, y de nuevo otro 1/4 de vuelta.

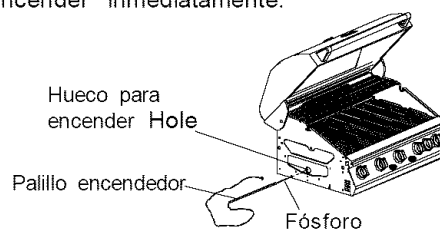
**IMPORTANTE:** No use el fogón trasero y el fogón principal al mismo tiempo. El fogón trasero es sólo para cocinar con el rotisor.

## Instrucciones para encender el fogón lateral

1. Siga los pasos de 1 a 4 de las instrucciones para encender la parrilla
2. Abra la tapa del fogón lateral.
3. Ponga las perillas de control en OFF y abra la válvula de gas LP **DESPACIO 1/4 de vuelta**. Para gas natural abra la válvula de cierre en el punto de suministro.
4. Empuje y gire la perilla de control a **Hi** automáticamente el encendedor encenderá el fogón.
5. Tendrá que empujar y girar la perilla del control varias veces antes que encienda.
6. Si no enciende en 5 segundos, cierre el gas en el origen de suministro y gire las perillas de control a OFF. Espere por lo menos 5 minutos para aclarar el gas, y vuelva a tratar. Si su parrilla aún no enciende gire las perillas de control del fogón y el suministro de gas a OFF y realice una prueba de escapes en TODAS las conexiones de gas y orígenes del suministro de gas como se explica en la sección de "Uso y Cuidado". Si no hay escapes, espere 5 minutos para aclarar el gas y repita el procedimiento.

## Encendiendo manualmente su parrilla con fósforo de papel

Para encender el fogón principal con fósforo de papel, siga los pasos 1 al 6 en las Instrucciones para encender la parrilla. Luego encienda el fósforo y colóquelo encima del hueco a la izquierda de la parrilla como se indica abajo. Empuje y gire la perilla de control más cercana a **Hi** para dejar salir el gas. El fogón debe encender inmediatamente.





## INSTRUCCIONES DE USO Y CUIDADO

### Reparación técnica - Si la parrilla no enciende:

1. Apague el gas en el suministro y gire las perillas de control a OFF. Espérese al menos 5 minutos para que se disperse el gas y vuelva a tratar.
  2. Si su parrilla todavía no enciende, verifique el suministro de gas y las conexiones.
  3. Repita el procedimiento para encender. Si su parrilla todavía no opera, apague el gas en el suministro, gire las perillas de Control a OFF y verifique lo siguiente:
- Mala alineación de los tubos de los fogones sobre los orificios  
**Corrección:** Reposicione los tubos sobre los orificios.
  - Obstrucción en la línea de gas:  
**Corrección:** Retire la línea de combustible de la parrilla. **¡No fume!** Abra el suministro de gas por un segundo para despejar cualquier obstáculo de la línea de combustible. Cierre el suministro de gas en el punto de origen y reconecte la línea de combustible a la parrilla.
  - Orificio obstruido  
**Corrección:** retire los fogones de la parrilla removiendo la presilla cotter de la parte trasera de cada fogón usando un alicate de boca larga. Levante cada fogón y aléjelos cuidadosamente del orificio de la válvula de gas. Retire el orificio de la válvula de gas y remueva cualquier obstáculo suavemente con un cable fino. Luego reinstale todos los orificios, fogones, presillas Cotter y componentes de asar.
  - Si sospecha que hay un obstáculo en las válvulas de gas o en el múltiple, llame al Centro de Información de Parrillas.
  - Obstáculo dentro de los tubos de los fogones  
**Corrección:** Proceda a limpiar el tubo del fogón usando el procedimiento en la **página 22** del Manual de operación.
  - Mala alineación del encendedor sobre el fogón  
**Corrección:** examine la punta y chequee la posición correcta del electrodo como se muestra en el **paso 15, página 15** de este Manual. El espacio entre la Punta del electrodo y el receptor debe ser aproximadamente de 3/16". Ajustelo si es necesario. Con todas las perillas del suministro de gas en OFF, presione la tapa del encendedor eléctrico y mire por una chispa azul en el electrodo.
  - Cables eléctricos desconectados  
**Corrección:** inspeccione la caja del encendedor que se encuentra detrás del panel de control. Conecte cualquier cable desconectado a la caja y trate de nuevo de encender la parrilla.
  - Baterías AA débiles  
**Corrección:** Destape el encendedor y reemplace las baterías.
  - Si todavía la parrilla no enciende es posible que tenga que purgar el aire de las líneas de gas o volver a ajustar el dispositivo del regulador por exceso de gas. Nota: Este procedimiento se debe hacer cada vez que se cambia un tanque de gas al conectarlo a la parrilla.



### Purgando el aire de la línea de gas y/o ajustar el dispositivo del regulador por exceso de gas:

- Gire las perillas de control a la posición OFF.
- Apague el gas en la válvula del tanque.
- Desconecte el regulador del tanque de gas LP.
- Deje la unidad descansar 5 minutos para permitir que el aire se purgue.
- Reconecte el regulador al tanque de gas LP.
- Gire DESPACIO la válvula del tanque un 1/4 de vuelta.
- Abra la tapa de la parrilla.
- Empuje y gire la perilla IZQUIERDA a **⚡Hi**.
- Presione el encendedor eléctrico entre 3-4 segundos para automáticamente encender los fogones.

 **ADVERTENCIA** 

Si ocurriese un **RETROCESO DE LLAMA** en o alrededor de los tubos del fogón, debe seguir las instrucciones de abajo. Fallo en obedecer estas instrucciones podría resultar en un fuego o una explosión que podría causar lesiones serias, muerte, o daños materiales.

- Cierre el suministro de gas que va a la parrilla.
- Gire las perillas de Control hacia la posición OFF.
- Abra la tapa de la parrilla.
- Apague cualquier llama con un extintor clase B.
- Una vez que la parrilla se haya enfriado, limpie los tubos de fogón y los fogones de acuerdo con las instrucciones indicadas en este manual.

 **ADVERTENCIA** 

**Nunca** se recline sobre el área de cocinar de la parrilla mientras enciende el gas. Mantenga su cara y cuerpo a una distancia segura (al menos 18 pulgadas) de los fogones cuando enciende la parrilla con un fósforo.

Para reparaciones o reemplazo de partes necesarias llame durante cualquier hora día o noche

1-800-4-MY-HOME<sup>®</sup> (1-800-469-4663)

## LIMPIEZA Y MANTENIMIENTO

Un cuidado correcto y mantenimiento mantendrán su parrilla en una condición operativa superior y prolongarán su vida. Siga estos procedimientos de limpieza con regularidad y su parrilla se mantendrá limpia y trabajará con mínimo esfuerzo.

**CUIDADO:** Asegúrese que su parrilla está en OFF y fría antes de limpiarla.

### Limpiando las rejas de cocinar

- Antes de su uso inicial y periódicamente, lave las rejas con una solución de jabón y agua tibia. Usando un trapo o una cepillo de verduras.

### Limpiando los difusores de calor

- Periódicamente usted debe lavar los difusores de calor en una solución de agua tibia enjabonada. Puede usar un trapo para lavar o un cepillo para verduras. Seque por completo el difusor de calor antes de re-instalarlo en el tazón para cocinar.

### Limpiando la bandeja de grasa y el recipiente

- Para reducir la oportunidad de fuego, la bandeja para la grasa y el recipiente de grasa (algunos modelos) deben ser inspeccionados visualmente antes de cada uso de la parrilla. Retire cualquier grasa y lave la bandeja de grasa y recipiente con una solución enjabonada con agua caliente.

### Limpiar el interior de la tapa de la parrilla

- La grasa puede tener una tendencia de acumularse en el interior de la tapa de la parrilla y podría gotear en la terraza o patio cuando la tapa está abierta. Inspeccione el interior de la tapa de la parrilla visualmente antes de cada uso. Retire cualquier grasa y lave con una solución de jabón y agua tibia.

### Limpieza frecuente del interior de la parrilla

- Quemando el exceso de comida después de cada uso al aire libre dejará la parrilla lista para otro uso. Sin embargo, por lo menos cada 3 meses usted debe dar una limpieza minuciosa a la parrilla entera para minimizar su riesgo de fuego por grasa y mantener la parrilla en la mejor forma. Siga estos pasos:

1. Gire todas las válvulas de los fogones a la posición OFF.
2. Gire la válvula de gas LP a la posición OFF.
3. Desconecte el regulador del tanque de gas. Inspeccione la manguera y ensamble del regulador por grietas, cortadas o cualquier otro daño, y reemplaze como sea necesario. Consulte la lista de partes en este Manual de operación.
4. Retire y limpie los difusores de calor, rejas para asar y fogones de la parrilla.
5. Cubra cada orificio de la válvula de gas con papel de aluminio.
6. Cepille el interior y la parte inferior de la parrilla con una almohadilla fibra o cepillo de nilón y lave con agua enjabonada tibia y debe enjuagarlo y dejarlo secar.
7. Retire el papel de aluminio de los orificios y examine cada orificio en busca de obstrucciones.
8. Inspeccione cada electrodo de chispa, ajustándolo como sea necesario. El espacio entre la punta del Electrodo de chispa y el receptor de chispa debe ser de 3/16" aproximadamente.
9. Reemplace los fogones y ajuste la caja colectora de gas.
10. El borde de la caja colectora de gas debe estar traslapando el puerto del fogón.  
Reemplace los difusores de calor y las rejas.
11. Reconecte el origen de gas y observe la llama del fogón para una operación correcta.

### Limpieza de las superficies exteriores pintadas:

- Antes del uso inicial, y periódicamente de allí en adelante, sugerimos que usted lave su parrilla usando una solución enjabonada. Usted puede usar un paño de lavado o esponja para este proceso. No use un alambre rígido o cepillo de fibra metálica. Éstos rayan la superficie del acero inoxidable y descascara las superficies pintadas (varía por modelo) durante el proceso de la limpieza.

### Limpiando el exterior del acero inoxidable

- Cuidado rutinario y mantenimiento es requerido para mantener la apariencia y la resistencia a la corrosión del acero inoxidable. El hecho es que el acero inoxidable puede corroerse, oxidación y pérdida de color pueden ser causadas bajo ciertas condiciones. El óxido es causado cuando las partículas de acero regulares en la atmósfera se fijan a la superficie de acero inoxidable. Partículas de acero también pueden fijarse a su parrilla con el uso de lana de acero o cepillos de metal rígidos para limpiar la parrilla en lugar de materiales o telas no-abrasivas, esponja o nilón las que son mejores para limpiar. En áreas de la costa descarche de óxido pueden desarrollarse sobre superficies inoxidables que no pueden ser removidas por completo. Blanqueadores y otras soluciones a base de cloro usadas para la limpieza de la casa y piscinas también pueden causar corrosión al acero inoxidable.

La intemperie, el calor extremo, el humo al cocinar y aceites de maquinaria usados en el proceso de fabricar el acero inoxidable pueden causar que el acero inoxidable se vuelva color caramelo. Aunque hay muchos factores que pueden afectar la apariencia de la superficie del acero inoxidable, estos no afectan la integridad del acero o el rendimiento de la parrilla.

- Para ayudar en mantener el terminado de acero inoxidable, siga los siguientes procedimientos para obtener los mejores resultados:
1. Después de cada uso (después de que su parrilla se ha enfriado), pase un trapo a cubertería de acero inoxidable que las superficies con un paño blando y jabonoso o esponja entonces/luego enjuagan con el agua. Sea sure retirar todas partículas de comida, salsas o escabeches de acero inoxidable porque éstos pueden ser muy ácidos y perjudicial para las superficies inoxidables.
  2. No use tintorería abrasiva, depuradores de airees o cepillos de cable rígidos de ningún tipo nunca sobre su parrilla.
  3. Use un calor limpiador de acero inoxidable contrario y la frótación o la limpieza en dirección a el grano de acero inoxidable o saque lustre a líneas no contra el cereal.

**ADVERTENCIA**

**Fallo en cumplir con estas instrucciones puede causar una situación peligrosa la que si no se observa puede resultar en lesiones.**

Mantenga el área de la parrilla libre de materiales combustibles, gasolina, otros vapores y líquidos inflamables.

No obstruya la circulación de aire para buena ventilación.

Mantenga las aperturas de ventilación del gabinete del tanque libres y despejadas de escombros.

Después de completar el encendido del fogón, visualmente confirme que la llama del fogón tenga una apariencia como se muestra abajo.



VISTA MAGNIFICADA DE LA LLAMA DEL FOGÓN A TRAVÉS DEL HUECO DE OBSERVACIÓN.

## LIMPIANDO LOS TUBOS Y PUERTOS DE LOS FOGONES

Para reducir el chance de **FUEGO DE RETROCESO** debe limpiar los tubos de los fogones de la siguiente manera por lo menos una vez al mes en el verano y otoño o cuando las arañas estén activas en su área, o si su parrilla no ha sido usada por un tiempo.

1. Gire todas las válvulas del fogón a la posición OFF.
2. Gire la válvula de tanque de gas LP a la posición OFF.
3. Remueva el ensamble del regulador de gas LP.
4. Remueva las rejillas de cocinar, los Difusores de calor y las bandejas para la grasa de su parrilla.
5. Remueva el tornillo en la parte de atrás de cada fogón usando un destornillador con cabeza Phillips.
6. Levante con cuidado cada fogón y aléjelos del orificio de la válvula de gas.
7. Fíjese que estén limpios o limpie los tubos Venturi de los fogones de insecto y nidos de insecto. Un tubo obstruido puede causar un fuego debajo de la parrilla.
8. Haga referencia a la **Figura 1** y lleve a cabo uno de estos tres métodos de limpieza:

- MÉTODO 1:** Doble un alambre rígido o percha de alambre en forma de gancho pequeño como se muestra en el dibujo y entre el gancho por el tubo del fogón varias veces para limpiar los escombros.



- MÉTODO 2:** Use un cepillo de botella con un mango flexible y dirija el cepillo a través del tubo del fogón y entrándolo y sacándolo varias veces para remover cualquier escombros.
- MÉTODO 3:** Use una manguera de aire a presión para forzar aire a través del tubo del fogón. El aire debe forzar los escombros a través del fogón y fuera de los puertos.

Sin importar que tipo de limpieza de los fogones usa, le recomendamos que también complete los siguientes pasos para ayudarle a prolongar la vida del fogón.

1. Use una almohadilla de fibra o un cepillo de fibra para limpiar cada fogón hasta que estén sin residuos o comida pegada.
2. Limpie todos los puertos atascados con un alambre erecto como esos que se usan para apresar hojas de papel.
3. Inspeccione cada fogón por daños (grietas y huecos) y si se encuentran dichos daños, ordene e instale un nuevo fogón. Después de la instalación, chequee para asegurarse que el Orificio de la válvula de gas esté correctamente colocado dentro de los finales de los tubos del fogón. También debe chequear la posición del electrodo de chispa.

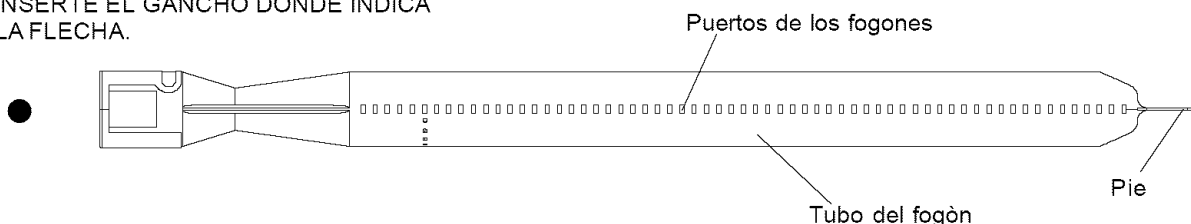
ADVERTENCIA

Para una operación sin peligro asegúrese que el orificio del ensamble de la válvula de gas esté dentro del tubo del fogón antes de usar su parrilla. Vea la figura 1. Si el orificio no está dentro del tubo del fogón, al encender el fogón podría causar una explosión, incendio que resultarían en lesiones corporales serias y/o daños materiales.

Ensamble de la válvula de gas      Orificio      Tubo del fogón

**Figura 1**

PARA LIMPIAR EL TUBO DEL FOGÓN, INSERTE EL GANCHO DONDE INDICA LA FLECHA.



# Instrucciones para Asar

## Quemando los residuos

- Antes de cocinar en su parrilla por primera vez, debe quemar los residuos para eliminar cualquier olor o aceites de la fábrica. Encienda el fogón principal, baje la tapa y opere la parrilla en HIGH entre 3 y 5 minutos.

ADVERTENCIA: Si opera TODOS los fogones principales en HIGH por más de 5 minutos puede causarle daño a ciertas partes de su parrilla. No descuide su parrilla cuando está en uso.

## Precaentado

- Para precalentar los fogones principales, encienda su parrilla en HIGH, baje la tapa y siga las instrucciones.

Para cocinar con temperaturas altas, caliente la parrilla entre 3 y 5 minutos.

Para cocinar a bajas temperaturas, precaliente la parrilla por 3 minutos.

Para cocinar lentamente el precalentdo no es necesario.

## Temperaturas para asar

- Temperaturas altas:** La perilla puesta en HIGH, sólo debe usarse para precalentar la parrilla entre 3-5 minutos y para quemar los residuos de comidas.

ADVERTENCIA: Si opera TODOS los fogones principales en HIGH por más de 5 minutos puede causarle daño a ciertas partes de su parrilla. No descuide su parrilla cuando está en uso.

- Temperaturas medianas y bajas:**

La mayoría de las recetas piden el calor entre medio y bajo, incluyendo las carnes ahumadas, cocinando con el rotisor, carnes sin grasa o pescado.

- Una nota importante sobre las temperturas para asar**

Los ajustes de calor indicados y los tiempos para cocinar mostrados en las siguientes páginas son aproximados. Hay algunas diferencia en el ambiente controlado dentro de su cocina, y variables incluyendo las temperaturas exteriores, dirección y condiciones del viento, tanto como la ubicación de la parrilla que pueden afectar la distribución de calor de su parrilla. Porque estas condiciones varían, y no hay dos jardines o patios iguales, ofrecemos estas guías para su conveniencia. Recomendamos que usted vigile su parrilla atentamente y le de vuelta a la comida como se necesita para prevenir cocinarla demasiado y asegurar los mejores resultados todo el tiempo.

- Las rejas secundarias para asar brindan un calor mediano para preparar panes y verduras firmes.
- Las áreas de cocina principales de en medio y traseras brindan a la parrilla un calor alto para asar.
- El área del frente es la primaria para cocinar comidas delicadas y para mantener la comida caliente.

## Cocinado Directo

- El método de cocinar directo puede hacerse sobre las rejas incluídas y comida colocada directamente sobre los fogones. **El cocinado directo requiere que la tapa de la parrilla esté abierta.** El método es ideal para asar y sellar los jugos dentro de la carne, para freír en aceite profundo y cuando desee tener un sabor del cocinado al aire libre.

## Cocinado indirecto, usando los fogones principales

- El método de cocina indirecto también puede ser usado con las rejas de cocinar proporcionadas. Para cocinar indirectamente, la comida debe ser puesta sobre el lado izquierdo o derecho de su parrilla con el fogón principal encendido al lado opuesto. Debe colocar la comida sobre las rejas secundarias y encender los fogones principales exteriores. Siempre, **para cocinar de una manera indirecta la tapa tiene que estar cerrada.**

## Preparando las rejas para asar

- Engrasando la superficie de cocinar ayudará a prevenir que las comidas se peguen durante la cocinada y reducirá la cantidad de la limpieza a fondo requerida. Use una brochapara aplicar una capa fina de aceite de cocina o manteca vegetal en cada reja de asar antes de cada comida al aire libre. No sugerimos aceites de tipo de aerosol a menos que sean especificadas para cocinar en temperatura alta. Asegúrese cubrir con aceite todas las partes de asar.

## Llamaradas

- Las grasas y los jugos que gotean de la comida a la parrilla pueden causar llamaradas que dan un buen sabor y color a la comida cocinada a llama viva las que son muy aceptables hasta cierto punto. Para disminuir las llamaradas: Use una bandeja para el goteo debajo de las comidas y carnes que como las costillas de puerco que tienen mucha grasa.



## ADVERTENCIA



- Fallo en cumplir con estas instrucciones puede causar un incendio o explosión que pueden causar lesiones serias, muerte o daños a la propiedad.
- **Nunca** forre el fondo de la parrilla o los Savor Plates™ con papel de aluminio, arena ni nada que pueda obstruir la circulación de la grasa hacia la bandeja de grasa y sus recipientes.
- **Antes de cada uso de su parrilla:** remueva la bandeja de grasa y retire toda la grasa y comida para prevenir un peligroso fuego de grasa.
- **Use su parrilla por lo menos a 3 pies de distancia de cualquier pared o superficie. Use su parrilla por lo menos a 3 pies de distancia de objetos** combustibles que pueden derretirse o captar incendios (como vinilo o tabla de forro de madera, cercas y salientes) o fuentes encendidas como la llama del piloto de calentadores de agua y aparatos eléctricos encendidos.
- **Nunca** use su parrilla de gas en un garaje, porche, cobertizo, pasabrisas o cualquier otra área cercada.
- **Su parrilla se pondrá muy caliente.** Use siempre un guante para parrillas protector de llamas cuando va a cocinar en su parrilla. Nunca se recline sobre la superficie de la parrilla cuando está cocinando. Todas las superficies guardan mucho calor cuando la parrilla está en operación. Para limpiarla espere

# Guía para asar usando el método directo

## Asando Bistecs y costillas

Gire el control de los fogones a **Hi**, cierre la tapa y precaliente su parrilla entre 3 y 5 minutos. Abra la tapa y coloque la carne sobre las rejillas directamente por encima del fogón encendido. Cocine la carne en ambos lados hasta que se dore. Reduzca el calor a MEDIO y cocine hasta que esté al punto deseado. El tiempo de asar depende del grosor de la carne.

## Asando hamburguesas y salchichas

Gire el control de los fogones a **Hi**, cierre la tapa y precaliente su parrilla entre 3 y 5 minutos. Abra la tapa y coloque la carne sobre las rejillas directamente por encima del fogón encendido. Cocine la carne en ambos lados hasta que se dore. Reduzca el calor a MEDIO y cocine hasta que esté al punto deseado. El tiempo de asar depende del grosor de la carne.

## Asando Pollo

Gire el control de los fogones a **Hi**, cierre la tapa y precaliente su parrilla entre 2 y 3 minutos. Luego abra la tapa y reduzca el calor a MEDIO, y cocine las aves directamente sobre los fogones hasta que estén cocinadas. La piel de las aves es muy grasosa así es que debe esperar una que otra llamada al usar este método directo.

Para minimizar las llamadas, trate de asar el pollo usando el método indirecto. Coloque el pollo en un lado de la parrilla usando el fogón opuesto en calor MEDIO, y baje la tapa de la parrilla. El tiempo de asar varía dependiendo del tamaño de la presa.

## Asando Puerco

Ponga el fogón en **Hi**, y precaliente la parrilla entre 3-5 minutos con la tapa cerrada. Abra la tapa, coloque el puerco sobre las rejillas y dore hasta sellar los jugos. Reduzca el calor a MEDIO cocinándose hasta que esté hecho. El tiempo de asar cambia de acuerdo con el tamaño y grosor de la presa.

## Pescado y filetes enteros

Precaliente la parrilla entre 2-3 minutos con la tapa cerrada. Luego abra la tapa y baje la temperatura a MEDIO. Coloque el pescado (piel hacia abajo) en la parrilla sobre el calor directo hasta que se cocine. Use el tiempo para cocinarlo como una guía, o hasta que el pescado esté opaco pero todavía jugoso.

## Filetes pequeños y cubitos de pescado

Siga las direcciones de arriba usando aproximadamente los tiempos de cocinar indicados a la derecha. Coloque un pedazo pequeño de papel de aluminio sobre las rejillas de asar si los pedazos de pescado son tan pequeños que se pueden caer a través de las rejillas.

## Verduras y Frutas

Prepare las verduras y frutas pintándolas con mantequilla o con alguna salsa si lo desea. Para el cocinado indirecto la comida se debe colocarse al lado opuesto del fogón encendido con la tapa cerrada. O centre la comida sobre las rejillas secundarias con los fogones de afuera encendidos. **Recuerde que para cocinar con el método indirecto debe mantener la tapa cerrada.**

## Corte de carne

Bistec T-bone  
Bistec Sirloin  
Costillas de res  
Bistec Porterhouse  
Bistec New York strip

## Tiempo aproximado para asar

**Casi crudo:** 4-8 minutos  
**Mediano:** 10-14 minutos  
**Bien cocinado:** 15-20 minutos

Hamburguesas  
Salchichas

**Casi crudo:** 4-6 minutos  
**Mediano:** 8-10 minutos  
**Bien cocinado:** 10-15 minutos

Pechuga de pollo  
(asar con el hueso hacia abajo)  
Alas de pollo  
Patas

**Método directo:**  
Aproximadamente 15 minutos  
**Método indirecto:**  
hasta 30 minutos

Pollo entero  
(Cocinar con la pechuga hacia arriba)

**Método indirecto:**  
Aproximadamente una hora

Costillas  
Solomo de res  
Chuletas

**Medio:** 10-14 minutos  
**Bien cocinado:** 15-20 minutos

Pescado entero  
Filetes enteros  
de pescado

10 - 12 minutos por libra o hasta que el pescado se vea bien cocinado

Filete de pescado  
Cubos sin huesos

4 - 5 minutos cada lado hasta que el pescado se vea opaco.

Algunas veces, usted desea asar vegetales y frutas directamente sobre el calor, usando las rejillas proporcionadas. Las comidas mejores para asar directamente son relativamente suaves y demoran menos tiempo: setas, zucchini, tomates, y frutas en brocheta como albaricoques, duraznos, piña, fresas y kiwis. **Recuerde que para cocinar con el método directo debe mantener la tapa abierta.**

Para verduras firmes—en especial papas, yuca, camote, recomendamos hervirlas parcialmente hasta que estén casi cocinadas, antes de colocarlas en la parrilla. El tiempo de cocinar con la tapa baja es aproximadamente lo mismo que en su cocina regular. Sin embargo, hay muchos factores como la temperatura de afuera, condiciones de viento, y donde esté situada la parrilla, por eso sugerimos que mantenga el ojo puesto en la temperatura de la parrilla para ajustar el calor como se necesite. El tiempo del cocinado para comidas preparadas con el **método directo** será mucho más corto debido a que la temperatura es más alta y la comida es más blanda. El tiempo se puede comparar a freír o asar normalmente.



# Guía y técnicas para asar y hornear despacio

## Una nota importante sobre el calor deseado

Los ajustes de calor indicados son aproximados. Hay muchos factores como la temperatura exterior, las condiciones de viento y la ubicación de la parrilla afectan el rendimiento de su parrilla. Ofrecemos las indicaciones de calor como un mecanismo útil, pero sugerimos que usted mire el calibrador de temperatura y ajuste el calor como desea.

## Preparándose para asar

Para asar se usa el método de cocinar indirecto. Por lo tanto, la comida debe ser puesta sobre el equipo izquierdo o derecho de su parrilla con un fogón encendido en el lado opuesto. Usted también puede usar las rejillas para asar colocando un utensilio para el goteo debajo de las rejillas para coleccionar los jugos para hacer salsas. Recuerde, la cocina indirecta requiere que la tapa de su parrilla esté cerrada.

Precalentar su parrilla no es requerido para los métodos de cocina lentos como asar. Si usted decide precalentar su parrilla antes de usarla, ponga los fogones en High y la parrilla con la tapa cerrada más o menos de 2-3 minutos.

Tipo de comida	¿Cómo le gusta?	Tiempo aproximado
Res	Casi Crudo	18 minutos por libra
	Medio	23 minutos por libra
	Cocinado	27 minutos por libra
Cordero	Medio	18 minutos por libra
	Cocinado	23 minutos por libra
Tenera		27 minutos por libra
Puerco		30-33 minutos por libra
Pollo		20-25 minutos por libra
Pato		25 minutos por libra
Pescado		10 minutos por libra
Pavo, menos de 16 libras		20-25 por libra + 30 minutos
Pavo, más de 16 libras		18-23 por libra + 15 minutos

## TÉCNICAS PARA HORNEAR

Desde caserolas a pan de maíz, a deliciosos postres, como un fondue de frutas o biscocho se pueden hornear en su parrilla tan fácil como en su propia cocina.

## Preparándose para hornear

Para hornear en su nueva parrilla usted necesitará un utensilio para poner dentro de la parrilla, y un par de guantes para protegerse del calor de la parrilla. Debe secar la caserola antes de usarla. Si es de hierro fundido debe secarla muy bien antes de usarla.

Precalente su parrilla entre 3-5 minutos, luego baje el calor hasta conseguir la temperatura de hornear deseada.

## Temperatura del Horno

Baja	300° - 340° F
Moderada	355° - 390° F
Alta	410° - 480° F

## Preparación de la comida

Remueva la grasa excesiva de la carne. Ate las aves con una cuerda para conservar la forma deseada. Puede usar tiras de tocino para cubrir la carne de ave impidiendo que se seque. Otro método para mantener la comida sin secarse durante el asado, es poner agua en una olla y cubrirla con papel de aluminio. El papel se debe remover al principio o al final de del cocinado, para asegurar que la carne se ha dorado lo suficiente.

## Consejos para asar

Excepto cuando se está asando con líquido en una utensilio para asar, los jugos se reúnen en el utensilio para ser usados como la base para una salsa sabrosa o jugo de carne. Ponga la olla de cocinar directamente sobre el calor, añada mantequilla adicional si la necesita, añada varias cucharaditas de harina para espesar la salsa. Finalmente, añada pollo suficiente o caldo de carne de res para obtener la regularidad deseada.

Una vez cocinada la carne, retírela del fuego y tápela con un pedazo de papel de aluminio. Déje la carne descansar entre 10-15 minutos para permitir que los jugos se asienten.

Para hornear use el método de cocinar indirecto. Por lo tanto, el utensilio para hornear debe colocarse al lado derecho o izquierdo opuesto al fogón encendido.

## Consejos para hornear

Prepare su receta favorita como usted lo haría en la cocina. Las comidas cocinadas en la parrilla por largos periodos de tiempo deben estar cubiertas con papel de aluminio para conservar la humedad. Usted necesitará revolver o voltear la comida varias veces cuando cocina al horno, y añadir líquido adicional para obtener el espesor deseado.

Vea la temperatura, y adapte el cocinado de acuerdo con las instrucciones de su receta.

## Niveles de calor recomendados

Ambos fogones exteriores en LOW
1 fogón exterior en <b>Hi</b> y un fogón exterior en LOW
Ambos fogones exteriores en <b>Hi</b>

## GUÍA PARA ASAR CON EL ROTISOR

### Asar despacio con el rotisor

Cocinando con el rotisor produce comidas atractivas y sabrosas. El sistema de rotisería se usa más para carnes y aves y está diseñado para cocinar despacio. Prepare las aves uniendo las alas y las patas al cuerpo del ave. También la cavidad del ave se puede rellenar antes de cocinarla. Usted puede colocar una casuela, para atrapar los jugos de la carne y hacer salsas. Para darles sabor a las carnes puede usar especias y hierbas de olor.

Cocinando con el rotisor se demora lo mismo que asando al horno.

### Balanceando las carnes en el rotisor

Poner el peso de la carne de una manera bien balanceada en la brocheta del rotisor es de mucha importancia. La carne se debe colocar de tal manera que el peso esté bien distribuido. El rotisor debe girar uniformemente para al parar o arrancar no cause que la comida pierda el balance y se cocine desigualmente lo puede quemar el lado más pesado.

Las comidas más fáciles para balancear son éstas de forma uniforme y textura. Evaluar si la comida se balanceada correctamente antes de asegurarla a la brocheta. Coloque los finales de la brocheta en cada palma de sus manos. Si no hay ninguna tendencia de rodar, déle 1/4 de vuelta. Si todavía está estable, déle otro cuarto de vuelta. Debe descansar sin girar en cada uno de estas posiciones. Después de esta prueba puede colocarla la brocheta en su parrilla.

### Preparación de comida

Cuando está preparando aves, amarre bien todas las partes contra el cuerpo del ave, de tal manera que parezca una bola. Jale la piel del cuello y usando una brocheta pequeña, amárrela a la parte posterior del ave. Arregle los dos tenedores y métalos dentro del cuerpo del ave para sostener bien la presa. Antes de entrar los tenedores haga la prueba de balance.

Un pedazo de carne enrollado requiere que la brocheta del rotisor sea insertada a través del centro a lo largo del rollo de la carne, luego siendo asegurado su balance.

Para carnes que contienen huesos, es mejor asegurar la brocheta del rotisor diagonalmente a través de las secciones con más carne. Si los huesos sobresalientes o las alas se broncean demasiado rápido, puede cubrirlos con papel de aluminio.

## GUÍA PARA AHUMAR

### Preparándose para Ahumar

El ahumador da un sabor distintivo y delicioso a comida. Usted encontrará una variedad de astillas de madera disponible para uso en el ahumador. Hay que remojar las astillas de madera con anterioridad, siga las instrucciones del fabricante.

**Nota:** Es nuestra experiencia que muchas de los productos para ahumar no producen humo, pero inculcan sabor a la comida. Lea las etiquetas con cuidado y si tiene dudas infórmese con el vendedor del producto.

### Usando una caja ahumadora

Hay muchas cajas ahumadoras disponibles en el mercado. Siga estas pautas y siempre refiérase a la etiqueta de sus fichas ahumadoras para los detalles del ahumado. Llène la caja para ahumar con las fichas o el producto que haya comprado. Puede añadir hierbas secas y especias para producir diferentes sabores. Use un guante de BBQ que retarda las llamas y coloque la caja de ahumar sobre las rejillas para cocinar o sobre los Difusores de calor directamente encima de un fogón encendido. Las astillas le prestarán sabor a su comida.

### Consejos para ahumar

Usted puede reducir un fuerte sabor a humo cocinando la comida en el ahumador sólo la mitad o tres cuartos del tiempo total.

Las comidas naturalmente altas en aceites se prestan bien para ahumar, mientras que las comidas secas se benefician de un escabeche. Usted también puede adobar la comida con hierbas, especias o aceites sazonados. Muchas comidas pueden ser ahumadas con resultados increíbles con muy poco esfuerzo. Sugerencias:

- **Filetes de atún**, adobado en los sabores asiáticos de aceite de ajonjolí, salsa de soy y jerez.
- **Filetes de cerdo**, adobado con cáscara de jengibre, naranja y pintado con sabor de "Maple".
- **Mejillones**, enjugados con cáscara de limón y aceite de Chile.
- **Chuletas de cordero**, adobado en aceite de oliva virgen, limón, orégano y pimienta negra. El mismo escabeche puede ser usado para una pierna entera o un lomo de cordero.
- **Pollo**, sin huesos, piezas cortadas en filetes o cortes pequeños, ahumadas con sabores orientales.
- **Pescado**, de carne firmes y mariscos surtidos como langostinos, mejillones y calamari.
- **Puerco**, cortado en dados o cerdo picado, filete, pierna, costillas ahumadas.
- **Carne de res** filete cortado en chuletas, costillas, lomo, bistec
- **Cordero**, lomo de cordero, filete, pierna y costillas.

## Guía para freír rápido y freír en aceite profundo

### MÉTODOS PARA FREÍR RÁPIDO

Este método de cocinar es popular al rededor del mundo y se puede hacer afuera en su parrilla de gas. Es una manera rápida y sana de preparar comidas completas, usando res, puerco, pescado, pollo, o mariscos, y haciendo combinaciones con otros ingredientes deliciosos como vegetales, arroz o fideos orientales.

#### Preparándose para freír rápido

Aunque es posible freír rápido en otros sartenes, un wok es la mejor olla que puede usar, ya que tiene lados altos en los que puede colocar la comida que ya está cocinada mientras agrega otros ingredientes sin regar la comida. La construcción del wok permite cocinar a temperaturas altas con el control del calor al instante que es esencial para freír rápido y con éxito.

#### Preparación de la comida

Rebane la carne y el pollo en tiras largas y delgadas, y los filetes en cubos. Remueva toda la grasa que se pueda de la carne y corte los vegetales en tajadas iguales o en cubos parejos.

Sazone con los condimentos que va a necesitar para darle sabor y ablandar las carnes. El tiempo para dejar la comida sazonando depende del tipo de carne que usa. Los cortes menos tiernos de la carne debe sazonarse y usar salsas ablandadoras y dejarlos sumergidos más tiempo que la carne tierna. Acuérdesse que debe sazonar y dejar dentro del refrigerador la carne que va a usar antes de cocinarla.

Primero fría rápidamente las carnes, luego el pollo y el pescado después porque demora menos en cocinarse. Una vez que están cocinadas las carnes agregue los vegetales duros como zanahorias. Luego continúe con los más blandos como alverjas dulces y ají dulce rojo o verde. Para obtener un cocinado parejo revuelva la comida constantemente y airéela en el wok usando dos cucharas o espátulas de madera.

#### Consejos para freír rápido

Coloque el wok en las rejas de cocinar o en el fogón lateral directamente sobre una temperatura en HIGH. agregue sólo una pequeña cantidad de comida cada vez, para asegurarse que se cocine con rapidéz y para permitirle al wok que se recaliente entre cada ingrediente.

### MÉTODOS PARA FREÍR EN ACEITE PROFUNDO

Una gran variedad de comida se puede freír en su asador, desde papas a mariscos y pollo. El freír con aceite profundo utiliza grandes cantidades de aceite. Es ideal freír al aire libre donde el humo, grasa y olores se dispersan en la atmósfera y no en el techo de su cocina.

#### Preparándose para freír en aceite profundo

Fría en su parrilla con aceite profundo usando un sartén hondo o un sartén tipo Wok sobre calor directo y con la tapa de la parrilla abierta.

Llene el sartén a no más de la mitad con aceite vegetal, aceite de maíz o de maní. Empiece en LOW (calor bajo) y vaya aumentando la temperatura gradualmente. Chequée la temperatura del aceite con cuidado usando un termómetro para freír o pruebe con un cubito de pan. El cubito de pan debe dorarse en 30 segundos para la mayoría de las necesidades de freír. La mejor temperatura es entre 350 y 400 grados para preparar la mayoría de las comidas fritas.

#### Preparación de la comida

Los alimentos que se van a freír tienen mejor sabor cuando están cubiertos con un batido o están empanizados lo que evita que las presas se resequen.

#### Consejos para freír con aceite profundo

Use un guante contra el calor para BBQ, y usando tenazas para cocinar coloque despacio la comida en la grasa caliente. Coloque sólo una poca cantidad de comida dentro del aceite para no cambiar la temperatura, déjelos freír hasta que estén dorados y sáquelos, para seguir agregando el resto en porciones pequeñas. Esto asegura que el aceite no baje su temperatura. Una vez cocinada, remueva la comida y póngala sobre toallas de papel para que descargue la grasa sobre el papel. Deje enfriar el sartén y el aceite antes de tocarlo. Cuando el aceite esté frío puede colarlo a través de un escurridor de metal muy fino para sacarle las partículas de comida que quedan y usarlo de nuevo.

## GUÍA PARA USAR LAS REJAS DE ASAR

Las verduras son en general fáciles cocinar sobre la parrilla. Las rejas para asar lo hacen conveniente porque usted puede usar el área de asar principal mientras las verduras se están asando encima de las rejas.

Precocine las verduras firmes hirviendo brevemente o cocinándolas en el horno de microondas antes de cocinarlas sobre la parrilla. Envuelva las verduras en un grosor doble de papel de aluminio para protegerlas mientras se cocinan sobre la parrilla. Luego, sáquelas del envoltorio de papel si desea, 10-15 minutos antes de finalizar el tiempo de cocinar, pinte las verduras con mantequilla o aceite y termine de cocinarlas.

Las rejas de asar pueden ser utilizadas de otras maneras. Considere usar las rejas para calentar el pan francés, hacer pan de ajo, medialunas o incluso rosquillas de pan.

Un pez entero pequeño envuelto en papel de aluminio se puede asar sobre las rejas. Los paquetes de mariscos como mejillones, langostinos y filetes de pez cortados colocados en envoltorios de papel individuales se cocinan bien de esta manera.

## No se olvide de los accesorios para su parrilla



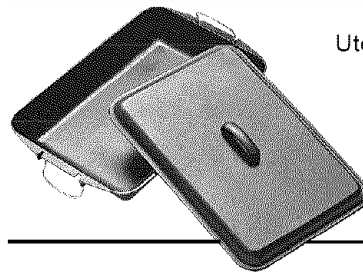
modelo de su parrilla y puede diferir de los mostrados en estas fotos.

Cualquier cosa que usted gusta preparar en su cocina la puede preparar al aire libre. Estos accesorios opcionales le facilitan usar su nueva parrilla, como si fuera una estufa al aire libre, ya sean las parrillas Premium de Kenmore o Elite de Kenmore.

No todas las ubicaciones tienen todos los accesorios y su disponibilidad es limitada a la cantidad que tienen a mano. El encaje del accesorio varía dependiendo del modelo de parrilla que usted tiene, por eso debe preguntar al vendedor detalles específicos.

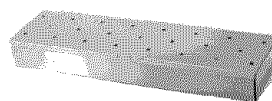
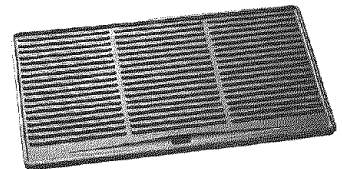
Los accesorios se encuentran en las tiendas grandes de Sears donde venden todas las líneas, Sears Grand, Sears Hardware, The Great Indoors, Orchard Supply Hardware y sears.com.

El modelo de rotisor está fabricado para encajar en el modelo de su parrilla. El cocinado con rotisor produce comidas de carnes jugosas y con mucho sabor, debido a que el continuo girar pringa sus propios jugos durante la rotación sellando los jugos en la fibra de la carne. Con el Rotisor se puede usar el método indirecto o se puede usar en el fogón infrarrojo, el cual se encuentra en ciertos de nuestros modelos.

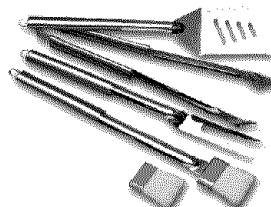


Utensilio de hierro fundido con tapa. Ideal para preparar pizza profunda, lasagna, pan de maíz, caserolas y postres.

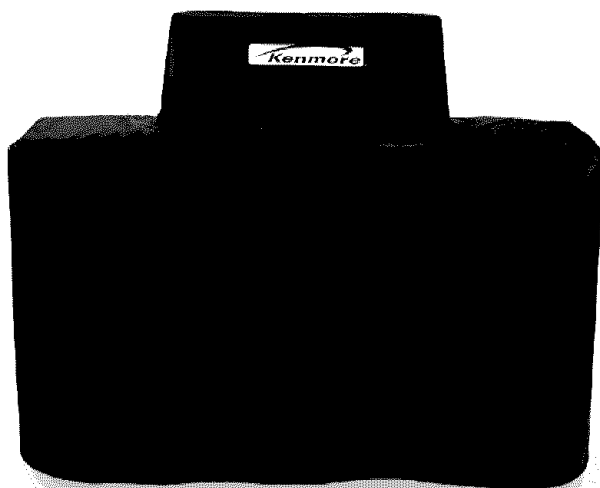
Parrilla reversible de hierro fundido con un lado liso para cocinar el desayuno y el otro lado acanalado para carnes, tocino, salchichas y hamburguesas.



Llene esta caja de ahumar con sus fichas de ahumar favoritas y déle sabor a las comidas asadas.



Calidad 304 de acero inoxidable las herramientas para cocinar ofrecen manguillos largos para facilitar el asado.



Proteja su parrilla de la lluvia, nieve y daños de los climas de cada temporada con nuestro cobertor de calidad. El tamaño varía dependiendo de la parrilla.

Llame al Centro de información de Parrillas si tiene algún problema con este producto. Nosotros podemos ayudarle con sus preguntas sobre el ensamblaje y operación de la parrilla o si hay partes dañadas o que faltan al desempacar la unidad de la caja de envío. Por favor llame antes de ponerse en contacto su vendedor local.

### CENTRO de INFORMACIÓN de PARRILLAS

Llame entre las 8am y las 8pm CST **1-888-317-7642** de lunes a viernes

**Pregunta:**

¿Puedo convertir mi parrilla de un tipo de gas a otro, es decir, de Gas LPG a NG o vice-versa?

**Respuesta:**

No, su parrilla de gas está fabricada con ciertas especificaciones y está certificada solamente para LPG (Gas Propano Líquido). Para su seguridad no hay equipos disponibles de conversión, ni nosotros los podemos vender o suministrar como partes o proveer información para transformar su parrilla. Cualquier intento de transformar su parrilla es peligroso y anulará su garantía.

**Pregunta:**

¿Están los números de Serie y modelo listados en algún lugar en la parrilla para mi referencia?

**Respuesta:**

La serie y los números del modelo están puestos en la placa color plateado de CSA que se encuentra sobre la parrilla. Dependiendo del modelo la placa CSA estará ubicada a la izquierda o derecha del tazón debajo de la repisa del lado o abajo o los lados derecho o izquierdo del panel de control o detrás del gabinete de la parrilla.

**Pregunta:**

¿Mi parrilla no enciende bien, por qué?

**Respuesta:**

Siempre encienda primero el fogón principal más lejos de la fuente de combustible. Esto atraerá el gas al otro lado del grupo colector que ayuda a prevenir espacios de aire que obstruyen la circulación de gas y previenen el encender la parrilla correctamente. También pruebe usar este procedimiento:

1. Apague el gas en la fuente y gire las perillas de control a OFF. Espere por lo menos 5 minutos para que se disperse el gas, y vuelva a tratar.
2. Si su parrilla todavía no enciende, Ponga todos los controles y la fuente de gas en OFF, y pruebe las conexiones por escapes de gas como se indica en la Sección de Uso y Cuidado de este manual.
3. Si no encuentra escapes de gas espere 5 minutos y vuelva a tratar de encender la parrilla.

**Pregunta:**

¿Si el encendedor o baterías no están trabajando, cómo puedo encender mi parrilla manualmente, y si voy a necesitar el palillo plateado que cuelga del lado de mi parrilla?

**Respuesta:**

Si su encendedor deja de funcionar o su batería necesita ser reemplazada, usted puede encender su parrilla a través del hueco encendedor a lado del tazón de la parrilla usando el palillo encendedor que cuelga a lado de la parrilla. El palillo encendedor está diseñado para sostener un fósforo de papel y le permite poder insertar sin peligro un fósforo a través del hueco encendedor sin tener que acercarse al fogón. Nunca retire las rejillas de cocinar o difusores de calor de cerámica e intente encender la parrilla desde arriba. Para encender la parrilla a mano, siga los pasos 1 a 6 del procedimiento de alumbrado básico. Luego, encienda el fósforo y póngalo a través del hueco del tubo encendedor al lado derecho del tazón de la parrilla. (Las ubicaciones de los huecos varían de acuerdo con el modelo de parrilla) Gire la perilla de Control del fogón principal más cercano hacia HIGH para dejar salir el gas. El fogón debe encenderse de inmediato.

**Pregunta:**

A veces oigo un murmullo que sale de mi regulador. ¿Cuál es la causa? y - mi parrilla tiene una llama baja y a veces no enciende. ¿Por qué?

**Respuesta:**

El sonido activo es gas que fluye a través del regulador. Un volumen bajo de sonido es normal y no obstruirá la operación de su parrilla. El regulador con un volumen de sonido fuerte o excesivo y un encendido irregular podría ser causado por el dispositivo de circulación con gas excesivo del regulador. Puede ser causado al abrir la válvula de tanque muy rápido o demasiado lo cual causa que el dispositivo de seguridad del regulador retenga la circulación de gas, impidiendo la circulación de gas a su parrilla. Siempre encienda el fogón principal más lejos de la fuente de combustible que le ayudará a eliminar los espacios de aire en la manguera del colector. Nota: este proceso debe ser hecho cada vez que un tanque nuevo de gas LP es conectado a su parrilla.

- Gire las perillas de control a la posición OFF.
- Cierre el tanque de gas por la válvula de gas.
- Desconecte el regulador del tanque de gas LP.
- Deje que el aparato descansa por 5 minutos.
- Reconecte el regulador al tanque de gas LP.
- Abra la puerta de la parrilla (o la puerta del fogón lateral si usted está encendiendo el fogón lateral.)
- Gire DESPACIO la válvula a 1/4 de vuelta.
- Encienda el fogón más lejano a la fuente de gas.
- Gire la válvula de gas otro 1/4 de vuelta para completar media vuelta.
- Gire la perilla de cada fogón alternativo y enciéndalos a medida que se acerca al origen del suministro de gas.
- No gire la válvula del tanque más 1/2 de una vuelta en modelos LPG.

**Pregunta:**

¿A dónde uso mi parrilla para una mejor seguridad y operación?

**Respuesta:**

- Los vientos fuertes y las temperaturas bajas pueden afectar la calefacción y el rendimiento de su parrilla de gas lo cual usted debe planear cuando está colocando su parrilla de cocinar al aire libre.
- En condiciones de vientos fuertes, siempre coloque el delantero de la parrilla cara hacia el viento para reducir que el humo y calor le peguen a su cara y prevenir posibles peligros hacia usted y la parrilla.
- Use su parrilla por lo menos 3 pies alejada de cualquier pared o superficie.
- Use su parrilla al menos **3 pies de distancia** de objetos combustibles que pueden derretirse o incendiarse como vinilo o tablas de madera forrada, cercas y techos o fuentes inflamables incluyendo lámparas, pilotos de calentadores de agua y aparatos eléctricos encendidos.
- Nunca** use su parrilla de gas en un garaje, o bajo cobertura, alero, techo o lugar cerrado.
- Nunca** obstruya la corriente de aire que ventila al rededor de su parrilla.

**Pregunta:**

**¿Por qué no le quedan a mi tanque viejo de gas LP el regulador y la manguera proporcionadas con mi nueva parrilla de gas ?**

**Respuesta:**

El gobierno de EE.UU. regula los aparatos de gas y tanques de gas LP. Cuando las reglas cambian los accesorios de tanque de gas de LP son modificados para asegurar el cumplimiento de la ley. Si a su tanque de gas LP no le queda el regulador y la manguera proporcionada con su nueva parrilla, el tanque es anticuado y debe ser reemplazado. Nota: en vigencia a partir de 1 de abril de 2002 todos los tanques de gas LP vendidos deben incluir el dispositivo de prevención de sobrellenado "OPD". Los tanques de OPD se pueden identificar por la rueda de la válvula en forma triangular. Este dispositivo interno impide que el tanque de gas LP sea sobrellenado. Los tanques que no tienen una válvula de OPD no se pueden volver a llenar.

**Respuesta:**

Limpie sus rejas de cocinar a mano si hay cualquier astilla o rajaduras en el terminado de la porcelana y séquelos muy bien. Si no hay rajaduras o astillados puede lavarlas en la máquina de lavar platos sin ningún problema. Recuerde secar las rejas de cocinar muy bien antes de volverlas a colocar en la parrilla para minimizar la posibilidad de oxidación.

**Pregunta:**

**A veces oigo un sonido de murmullo que sale de mi regulador. ¿Cuál es la causa? Y - mi parrilla tiene una llama baja y a veces no enciende. ¿Por qué?**

**Respuesta:**

La corrosión es un proceso de oxidación natural que no afecta a corto plazo al funcionamiento de su grill.

Para ralentizar el proceso de corrosión en las planchas de cocción le recomendamos engrasar las planchas antes y después de cada cocción. Use un pincel para aplicar una fina capa de aceite de cocina o margarina vegetal en cada plancha. No le aconsejamos los aceites de tipo spray a no ser que sean específicos para la cocción a altas temperaturas. Si su planchas de cocción están recubiertas de porcelana, asegúrese de cubrir la superficie de cocción entera incluyendo los bordes y cualquier área con porcelana astillada.

Cuidado rutinario y mantenimiento es requerido para mantener la apariencia y la resistencia a la corrosión del acero inoxidable. El hecho es que el acero inoxidable puede corroerse, oxidación y pérdida de color pueden ser causadas bajo ciertas condiciones. El óxido es causado cuando las partículas de acero regulares en la atmósfera se fijan a la superficie de acero inoxidable. Partículas de acero también pueden fijarse a su parrilla con el uso de lana de acero o cepillos de metal rígidos para limpiar la parrilla en lugar de materiales o telas no-abrasivas, esponja o nilón las que son mejores para limpiar. En áreas de la costa descarche de óxido pueden desarrollarse sobre superficies inoxidables que no pueden ser removidas por completo. Blanqueadores y otras soluciones a base de cloro usadas para la limpieza de la casa y piscinas también pueden causar corrosión al acero inoxidable.

La intemperie, el calor extremo, el humo al cocinar y aceites de maquinaria usados en el proceso de fabricar el acero inoxidable pueden causar que el acero inoxidable se vuelva color caramelo. Aunque hay muchos factores que pueden afectar la apariencia de la superficie del acero inoxidable, estos no afectan la integridad del acero o el rendimiento de la parrilla.

Para ayudar en mantener el terminado de acero inoxidable, siga los siguientes procedimientos para obtener los mejores resultados:

Después de cada uso (después de que su parrilla se ha enfriado), pase un trapo a cubertería de acero inoxidable que las superficies con un paño blando y jabonoso o esponja entonces/luego enjuagan con el agua. Sea sure retirar todas partículas de comida, salsas o escabeches de acero inoxidable porque éstos pueden ser muy ácidos y perjudicial para las superficies inoxidables.

No use tintorería abrasiva, depuradores de aires o cepillos de cable rígidos de ningún tipo nunca sobre su parrilla.

Use un calor limpiador de acero inoxidable contrario y la frotación o la limpieza en dirección a el grano de acero inoxidable o saque lustre a líneas no contra el cereal.

**Pregunta:**

**¿Cuál es la mejor superficie para asar; Acero cubierto en porcelana / rejas hechas de hierro fundido o de acero inoxidable?**

Todos tienen sus ventajas. Para asado tradicional de carne a la parrilla, hierro fundido o rejas de acero brindan el mejor conducto de calor. Para proteger contra el proceso natural de oxidación, acero o rejas para cocinar de hierro fundido poseen un terminado de porcelana que requiere un mantenimiento rutinario de las rejas las cuales hay que secarlas muy bien.

El acero inoxidable es popular con aquellos que prefieren hacer menos mantenimiento.

Una nueva solución innovativa está disponible para ciertos modelos llamado Therma - Core® inoxidable. Esta rejas para cocinar combinan un centro de acero inoxidable con una capa de acero inoxidable fácil de limpiar.

Puede también revisar las preguntas más frecuentes, soluciones y los consejos de cuidado y mantenimiento en [www.grandhall.com](http://www.grandhall.com).

# Acuerdos de protección de reparos

Felicitaciones por hacer una compra tan inteligente. Su nuevo producto Kenmore® está diseñado y fabricado para tener años de una operación confiable. Pero como todo producto, puede llegar el día que requiera reparaciones de vez en cuando. Eso es cuando se debe tener un Acuerdo de protección de reparos para ahorrarle dinero e irritación.

## Esto es lo que es el Acuerdo de protección de reparos\* incluye:

- Servicio expertos por uno de nuestros 10,000 especialistas en reparos.
- Servicio sin límites con partes y labor gratis para todas las reparaciones que están cubiertas.
- Reemplazo de producto hasta \$1,500. dólares si el producto cubierto no se puede reparar.
- Descuento de 10% del precio regular de servicio y partes relacionadas instaladas no cubiertas por el Acuerdo; también, 10% deducido del precio regular del cheque de mantenimiento preventivo.
- Ayuda rápida por teléfono— nosotros la llamamos Solución rápida – Ayuda por teléfono de un representante de Sears. Piense como si nosotros fuéramos una "Guía de Uso y Cuidado hablada".

Una vez comprado el Acuerdo de protección de reparos, una simple llamada telefónica es todo lo que necesita hacer para obtener una cita del servicio. Usted puede llamar en cualquier momento día o noche, o programar una cita para servicio por el internet.

El Acuerdo de protección de reparos es una compra libre de riesgo. Si usted cancela por cualquier razón durante el período de garantía del producto, proveeremos un reembolso completo. Puede también recibir un reembolso prorrateado en cualquier momento después que el período de garantía expira. ¡Compre su Acuerdo de protección de reparos hoy mismo!

Algunas limitaciones y exclusiones son aplicable. Para precios e información adicional en U.S.A. llame 1-800-827-6655.

\*La cobertura en Canadá varía en algunos artículos. Para obtener más detalles llame a Sears Canadá en 1-800-361-6665.

## Servicio de instalación de Sears

Para una instalación profesional de Sears de electrodomésticos, abridores de puertas de garajes, calentadores de agua, y otros importantes aparatos electrodomésticos, en U.S.A. o Canadá llame al 1-800-4 MY- HOME®.

# Get it fixed, at your home or ours!

## Your Home

For repair – **in your home** – of **all** major brand appliances, lawn and garden equipment, or heating and cooling systems, **no matter who made it, no matter who sold it!**

For the replacement parts, accessories and owner's manuals that you need to do-it-yourself.

For Sears professional installation of home appliances and items like garage door openers and water heaters.

**1-800-4-MY-HOME®** (1-800-469-4663)

Call anytime, day or night (U.S.A. and Canada)

[www.sears.com](http://www.sears.com)    [www.sears.ca](http://www.sears.ca)

For expert home solutions advice: [www.managemyhome.com](http://www.managemyhome.com)

---

## Our Home

For repair of carry-in items like vacuums, lawn equipment, and electronics, call or go on-line for the location of your nearest

**Sears Parts & Repair Service Center**

**1-800-488-1222** (U.S.A.)    **1-800-469-4663** (Canada)

Call anytime, day or night

[www.sears.com](http://www.sears.com)    [www.sears.ca](http://www.sears.ca)

---

To purchase a protection agreement on a product serviced by Sears:

**1-800-827-6655** (U.S.A.)

**1-800-361-6665** (Canada)

---

Para pedir servicio de reparación a domicilio, y para ordenar piezas:

**1-888-SU-HOGAR®**

(1-888-784-6427)

Au Canada pour service en français:

**1-800-LE-FOYER<sup>MC</sup>**

(1-800-533-6937)

[www.sears.ca](http://www.sears.ca)



© Registered Trademark / <sup>TM</sup> Trademark / <sup>SM</sup> Service Mark of Sears Brands, LLC  
© Marca Registrada / <sup>TM</sup> Marca de Fábrica / <sup>SM</sup> Marca de Servicio de Sears Brands, LLC  
<sup>MC</sup> Marque de commerce / <sup>MC</sup> Marque déposée de Sears Brands, LLC

© Sears Brands, LLC



## Free Manuals Download Website

<http://myh66.com>

<http://usermanuals.us>

<http://www.somanuals.com>

<http://www.4manuals.cc>

<http://www.manual-lib.com>

<http://www.404manual.com>

<http://www.luxmanual.com>

<http://aubethermostatmanual.com>

Golf course search by state

<http://golfingnear.com>

Email search by domain

<http://emailbydomain.com>

Auto manuals search

<http://auto.somanuals.com>

TV manuals search

<http://tv.somanuals.com>