

Operator's Manual

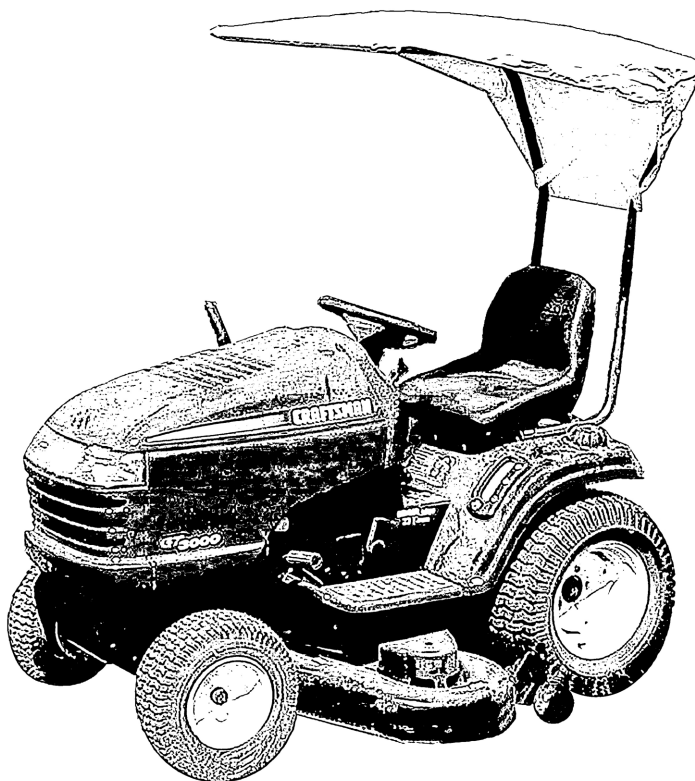
CRAFTSMAN[®]



SUN SHADE

Model No. 486.24227

DO NOT RETURN TO STORE
For Missing Parts or Assembly
Questions Call 1-866-576-8388



CAUTION:

Before using this product, read
this manual and follow all Safety
Rules and Operating Instructions.

Sears, Roebuck and Co., Hoffman Estates, IL 60179 U.S.A.
www.sears.com/craftsman

PRINTED IN U.S.A.

FORM NO. 49950 (REV. 8/21/07)

TABLE OF CONTENTS

<p>SAFETY 2</p> <p>WARRANTY 2</p> <p>CARTON CONTENTS..... 3</p> <p>HARDWARE CHART..... 4</p> <p>BEFORE YOU BEGIN 5</p> <p>ASSEMBLY INSTRUCTIONS FOR TRACTORS WITH SINGLE SUSPENSION BRACKET 6</p>	<p>ASSEMBLY INSTRUCTIONS FOR TRACTORS WITH DUAL SUSPENSION BRACKET 8</p> <p>CANOPY INSTALLATION..... 9</p> <p>OPERATION..... 10</p> <p>MAINTENANCE/STORAGE 10</p> <p>REPAIR PARTS LIST..... 11</p> <p>PARTS ORDERING/SERVICE Back Page</p>
-------------------------------------------------------------------------------------------------------------------------------------------------------------------------------------------------------------------------------	------------------------------------------------------------------------------------------------------------------------------------------------------------------------------------------------------------------------------------------------------------------



SAFETY



Any power equipment can cause injury if operated improperly or if the user does not understand how to operate the equipment. Exercise caution at all times when using power equipment.

- This sun shade does not provide protection against exhaust fumes, collision, rollover or other accidents.
- Read the sun shade and vehicle owner's manuals and know how to operate your vehicle and sun shade before using the sun shade attachment.
- Be sure there is adequate ventilation when using the tractor and sun shade in confined areas.
- The sun shade will restrict your field of vision in some directions. Use extra caution when operating your tractor with the sun shade attached.
- Watch out for low tree limbs or other overhead obstructions that may not previously have interfered with operation of the tractor. The extra height of the sun shade may cause these objects to become obstacles.
- Check the area of operation thoroughly before using the tractor.



Look for this symbol to point out important safety precautions. It means — **Attention!! Become alert!! Your safety is involved.**

WARRANTY

ONE YEAR FULL WARRANTY

When operated and maintained according to the instructions supplied with it, if this Sun Shade fails due to a defect in material or workmanship within one year from the date of purchase, call 1-800-4-MY-HOME® to arrange for free repair (or replacement if repair proves impossible).

If this product is used for commercial or rental purposes, this warranty applies for only 90 days from the date of purchase.

This warranty gives you specific legal rights, and you may also have other rights which vary from state to state.

Sears, Roebuck and Co., D817WA, Hoffman Estates, IL 60179

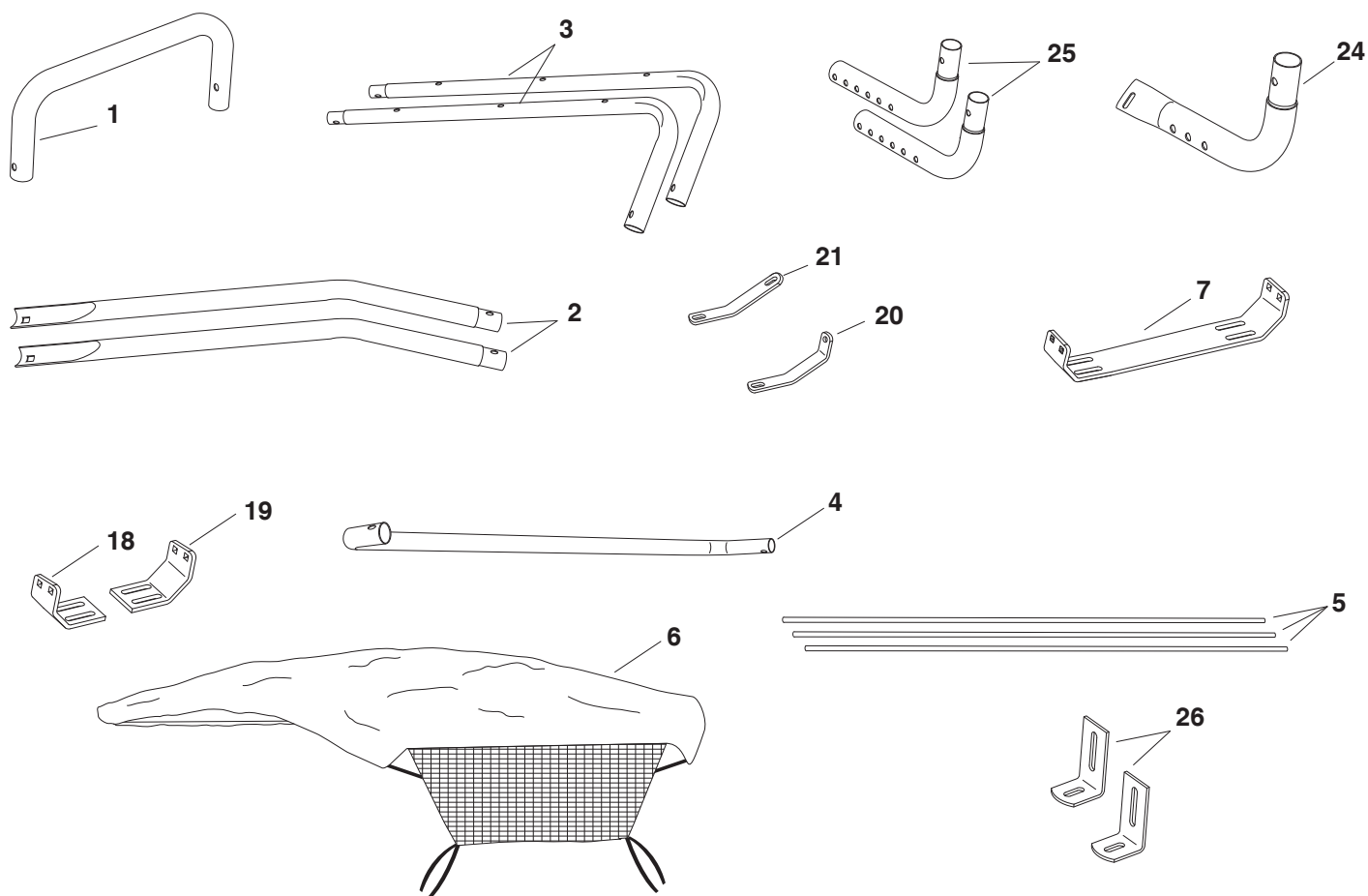
The model number and serial numbers will be found on a decal attached to the base assembly. You should record both the serial number and the date of purchase and keep in a safe place for future reference.

MODEL NUMBER: 486.24227

SERIAL NUMBER: _____

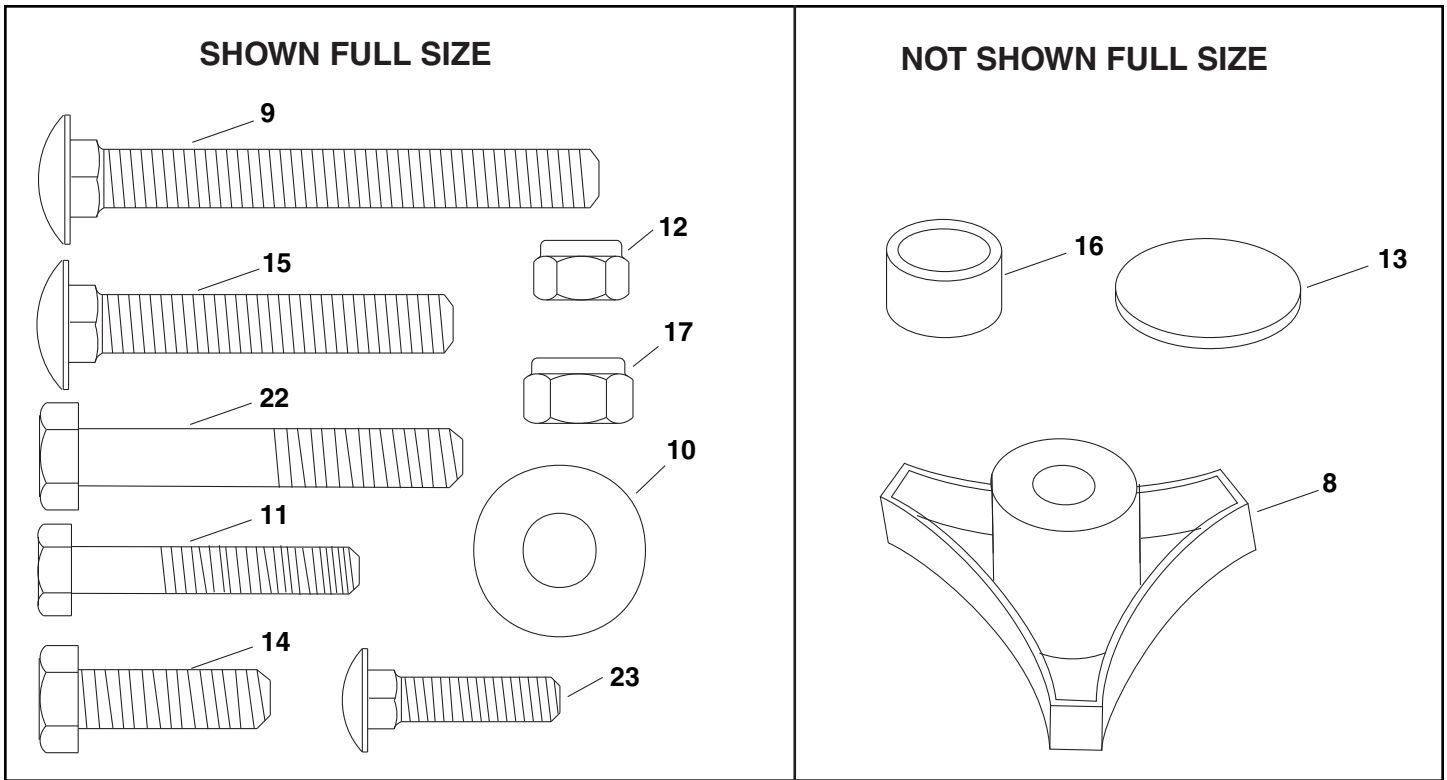
DATE OF PURCHASE: _____

CARTON CONTENTS



REF. NO.	PART NO.	QTY.	DESCRIPTION	REF. NO.	PART NO.	QTY.	DESCRIPTION
1	49242	1	Base Top Tube	18	25303	1	Left Base Bracket
2	25014	2	Upright Tube	19	25302	1	Right Base Bracket
3	25013	2	Top Tube	20	25794	1	Left Support Bracket
4	25012	1	U-Tube	21	25835	1	Right Support Bracket
5	25015	3	Support Rod	24	40003	1	Base Leg Tube, Flattened
6	48660	1	Vinyl Canopy	25	49325	2	Base Leg Tube
7	25793	1	Base Bracket	26	25304	2	Rear Base Support Bracket
							Hardware (see next page)

HARDWARE CHART



REF. NO.	PART NO.	QTY.	DESCRIPTION	REF. NO.	PART NO.	QTY.	DESCRIPTION
8	43720	2	Plastic Knob	15	44977	6	Carriage Bolt, 5/16-18 x 2"
9	46594	4	Carriage Bolt, 5/16-18 x 2-3/4"	16	23658	4	Spacer
10	43081	4	Flat Washer, 5/16"	17	47810	6	Nylock Nut, 5/16-18
11	43648	4	Hex Bolt, 1/4-20 x 1-1/2"	22	44180	1	Hex Bolt, 5/16-18 x 2"
12	47189	5	Nylock Nut, 1/4-20	23	43176	1	Carriage Bolt, 1/4-20 x 1"
13	48661	4	Adhesive Pad				
14	43063	2	Hex Bolt, 5/16-18 x 1"				

NOTE: Not all of the supplied parts and hardware will be needed for one particular tractor. Unneeded items may be discarded after assembly has been completed.

NOTE: Most fasteners are readily available through any hardware store.

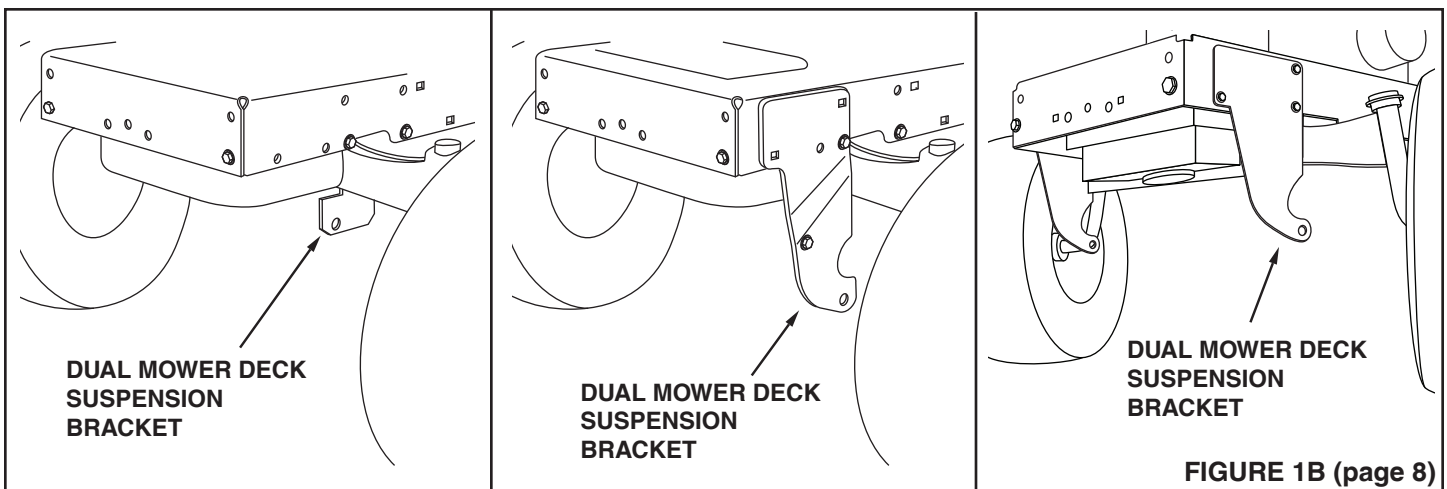
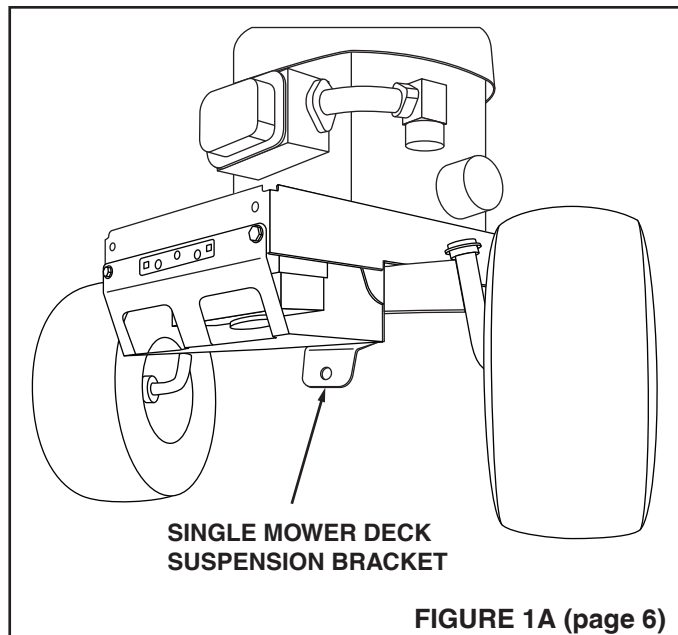
BEFORE YOU BEGIN

TOOLS YOU WILL NEED FOR ASSEMBLY

- (2) 7/16" Wrenches
- (2) 1/2" Wrench
- (1) 1/2" or 9/16" Socket Wrench

DETERMINE IF THERE IS A SINGLE OR DUAL MOWER DECK SUSPENSION BRACKET(S) UNDER THE FRONT OF YOUR TRACTOR

Look under the front of your tractor. If there is a single mower deck suspension bracket located underneath the middle of the front axle as shown in figure 1A, continue on to page 6. If there are dual mower deck suspension brackets located underneath the front axle or located on the sides of the tractor frame as shown in figure 1B, skip to page 8.



ASSEMBLY INSTRUCTIONS FOR TRACTORS WITH SINGLE MOWER DECK SUSPENSION BRACKET

NOTE: Right hand (RH) and left hand (LH) are determined from the operator's position while seated on the tractor.

STEP 1: (Figure 2)

Place the base bracket on a flat surface. Identify the highest hole on each side of the bracket.

STEP 2: (Figure 2)

Attach the base bracket as shown to the **first and second holes** from the end of the flattened base leg tube. **Make only finger tight.**

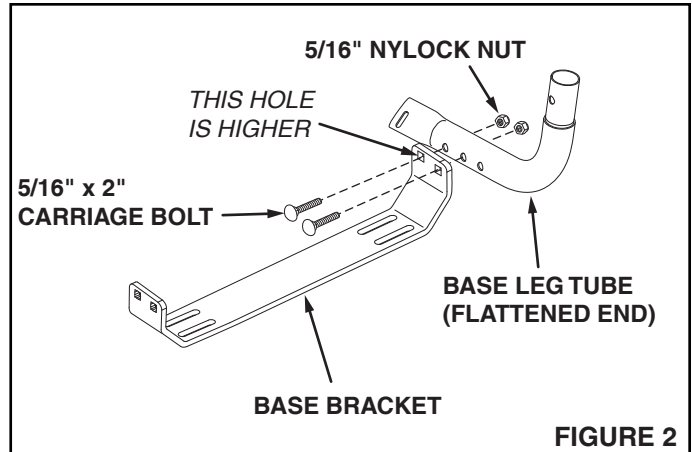


FIGURE 2

STEP 3: (Figure 3)

Attach the other end of the base bracket to the fourth and fifth holes from the end of a round base leg tube. **Make only finger tight.**

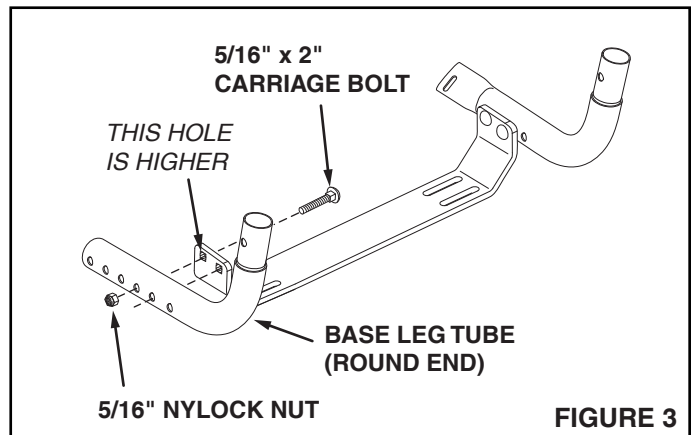


FIGURE 3

STEP 4: (Figure 4)

Attach the long end of the right support bracket to the outside of the flattened base leg tube. The bolt head must be on the inside of the base leg tube. **Make only finger tight.**

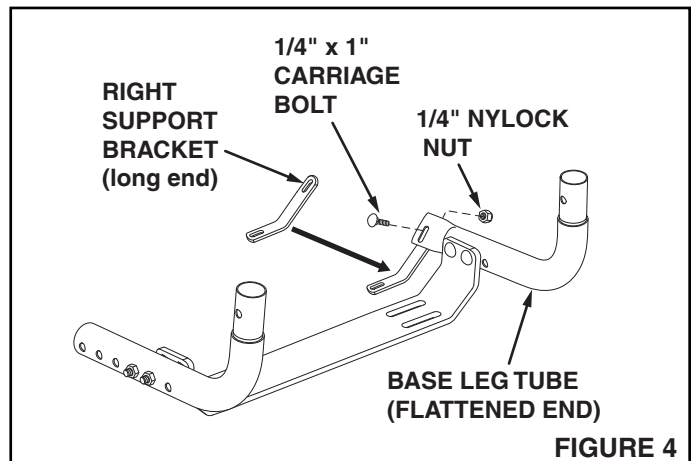


FIGURE 4

STEP 5: (Figure 5)

Attach the left support bracket to the outside of the left base leg tube. **Make only finger tight.**

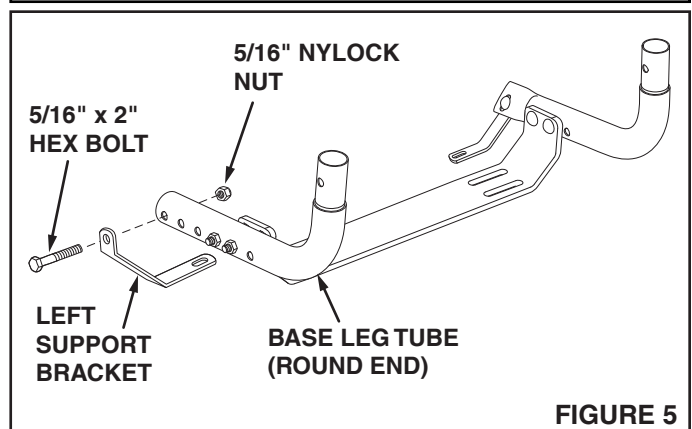
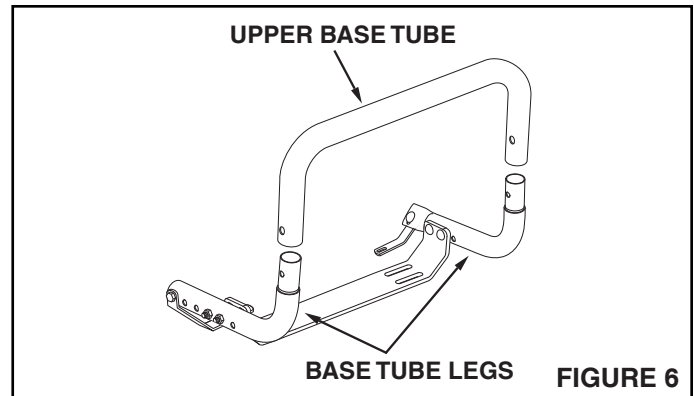


FIGURE 5

ASSEMBLY INSTRUCTIONS FOR TRACTORS WITH SINGLE MOWER DECK SUSPENSION BRACKET

STEP 6: (Figure 6)

Insert the ends of the base leg tubes into the upper base tube.



STEP 7: (Figure 7)

Raise the tractor seat and remove the seat springs and the four bolts from the rear fender using a 1/2" socket.

STEP 8:

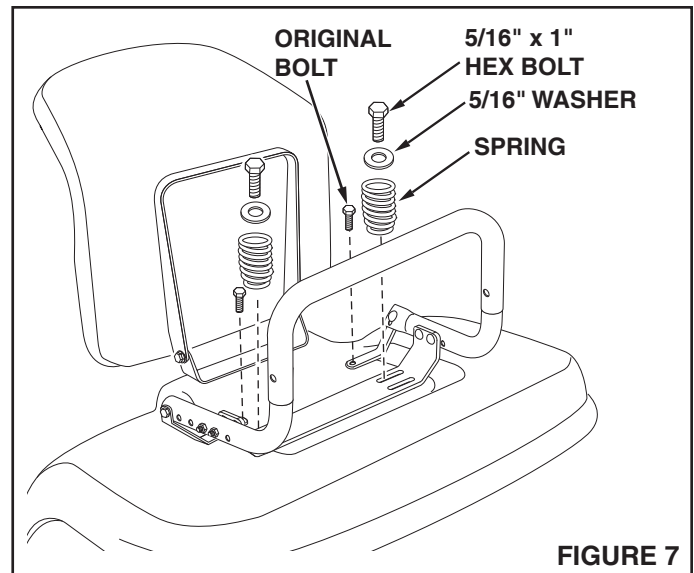
If the seat springs were mounted to the rear holes go to step 9. If the seat springs were mounted to the front holes go to step 10.

STEP 9: (Figure 7)

Place the base leg tubes onto the rear fender. Attach the front support brackets to the front holes in the fender reusing the bolts that were removed. Attach the base bracket and the seat springs to the rear holes in the fender using the bolts and washers shown. **Do not tighten completely.**

STEP 10:

Place the base leg tubes onto the rear fender. Attach the seat springs and front support brackets to the front holes. Use original bolts to attach base bracket to rear holes. **Do not tighten completely.**



STEP 11: (Figures 2-5)

Tighten the nuts and bolts assembled in figures 2-5 that fasten the base leg tubes to the base bracket and the front support brackets.

STEP 12: (Figure 7)

Center the base leg tubes on the rear fender and then, **using moderate force, tighten** the bolts assembled in figure 7 that fasten the base bracket and the front support brackets to the fender. Overtightening the bolts may damage the threaded holes in the fender.

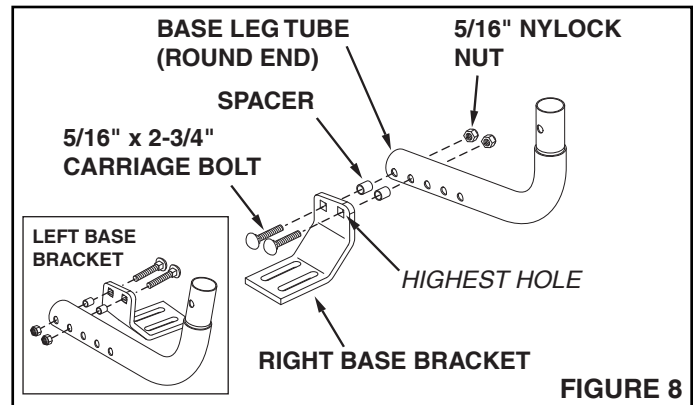
STEP 13:

Skip to CANOPY INSTALLATION on page 9

ASSEMBLY INSTRUCTIONS FOR TRACTORS WITH DUAL MOWER DECK SUSPENSION BRACKETS

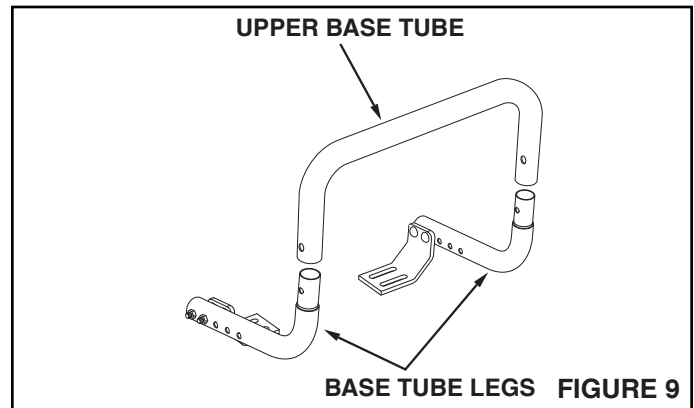
STEP 1: (Figure 8)

Identify and position the right base bracket as shown in figure 6. Attach the right base bracket to the front holes of a round base leg tube. **Make only finger tight.** Repeat for the left base bracket.



STEP 2: (Figure 9)

Insert the ends of the base leg tubes into the upper base tube.



STEP 3: (Figure 10)

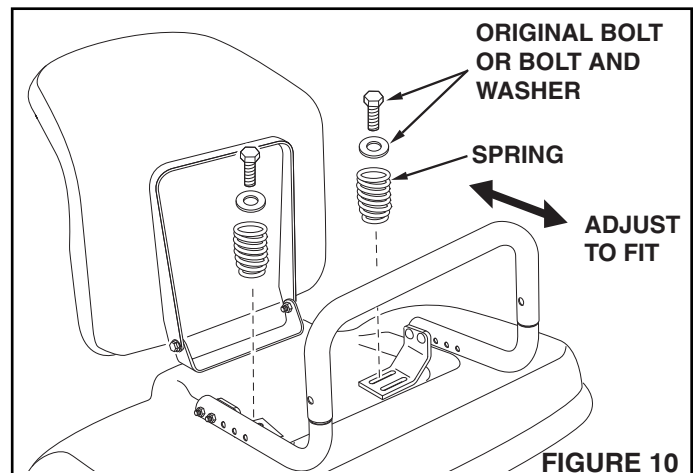
Raise the tractor seat and remove the springs and bolts from the rear fender using a 1/2" socket for GT tractors or a 9/16" socket for LT tractors.

STEP 4:

Place the base tube assembly onto the rear fender. Check for clearance with the seat lowered and the rear bagger (optional) attached. If needed, reposition the base brackets to a different set of holes in the base tubes.

STEP 5: (Figure 10)

Attach the seat springs and the base brackets to the rear fender using the spring bolts that you removed. On GT tractors, if the bolts removed were less than 1" long, use 5/16" x 1" bolts and 5/16" washers from the parts bag. Align the base leg tubes on the rear fender. **Tighten with moderate force** using a 1/2" socket (GT) or a 9/16" socket (LT).



STEP 6: (Figure 11)

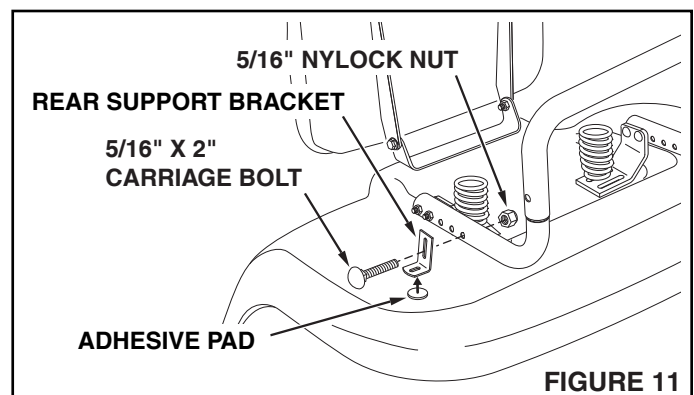
If the base tubes rest down against the top of the fender, install the rear base support brackets. Attach an adhesive pad to the bottom of each bracket then attach the brackets to the appropriate holes in the base support tubes. Adjust the brackets to lift the base tubes above the fender, then **tighten**.

STEP 7:

Tighten the bolts assembled in step 1.

STEP 8:

Continue to CANOPY INSTALLATION on page 9.



CANOPY INSTALLATION

STEP 1: (Figure 12)

Assemble the upright tubes to the base assembly.

NOTE: If holes are difficult to align, loosen bolts attaching base tubes to mounting bracket(s). If hole alignment is still difficult, loosen bolts attaching mounting bracket to rear fender. Retighten all bolts when finished.

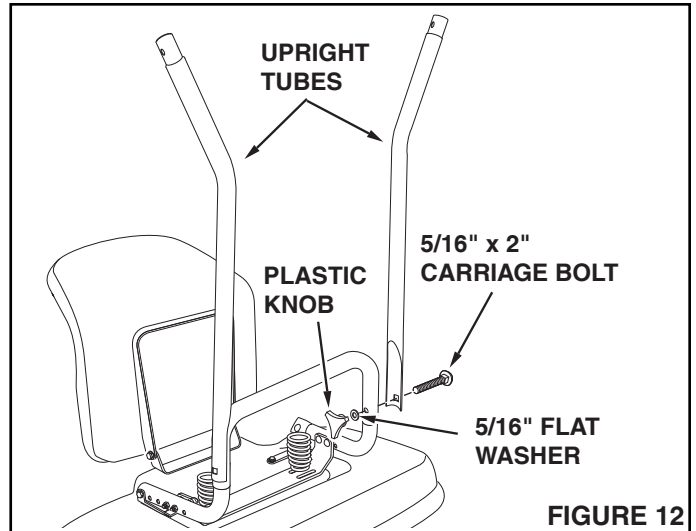


FIGURE 12

STEP 2: (Figure 13)

Assemble the top tubes to the upright tubes. **Do not tighten yet.**

STEP 3: (Figure 13)

Fit the front U-tube onto the top tubes. Fasten the tubes together. **Tighten all** loose bolts and nuts.

STEP 4: (Figure 13)

Fit the three support rods into the holes in the top tubes, with the rods arching upward. **Do not** over-bend the rods when installing.

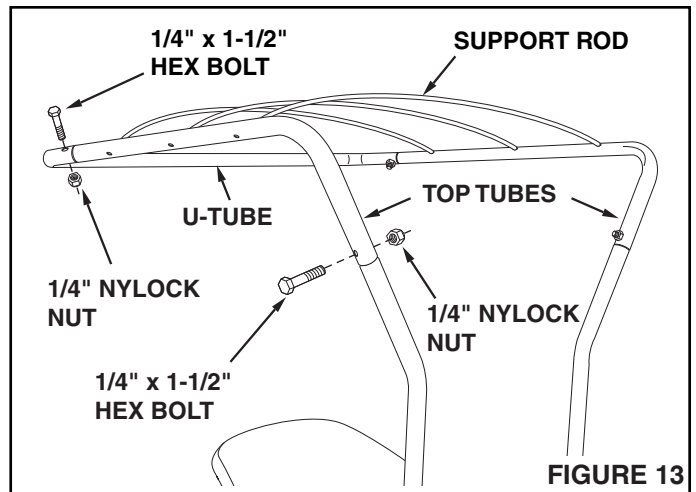


FIGURE 13

STEP 5: (Figure 14)

Place the vinyl canopy on top of the tubing frame, fitting the front of the vinyl canopy around the front U-tube. Secure the nylon mesh to the upright tubes using the ties located on the corners of the mesh.

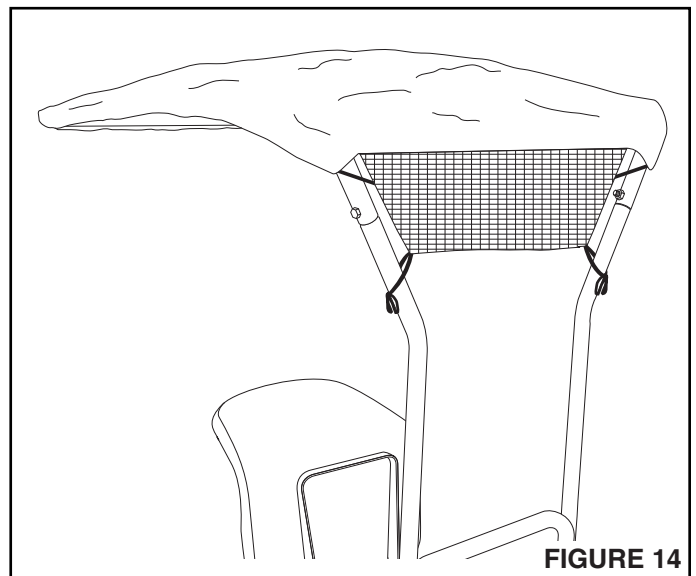


FIGURE 14



CAUTION: Make sure tractor seat raises and lowers freely after attaching Sun Shade. The tractor's operator presence safety switch will not operate if seat is stuck down.

OPERATION

Read this owner's manual and safety rules before operating your tractor with the sun shade.



CAUTION: This sun shade does not provide protection against exhaust fumes, collision, rollover or other accidents.

Check the area of operation thoroughly before using the tractor with the sun shade. The added height of the sun shade and a reduced field of vision require extra caution during operation.



CAUTION: Watch out for low tree limbs and other overhead objects which may interfere with the sun shade.

Remove the upper sun shade frame and canopy before you transport the tractor in an open truck or open trailer.



CAUTION: Never transport the tractor in an open truck or open trailer while the sun shade is attached.

MAINTENANCE/STORAGE

CUSTOMER RESPONSIBILITIES

Read and follow the maintenance schedule and the maintenance procedures listed in this section.

MAINTENANCE SCHEDULE Fill in dates as you complete regular service.	<i>Before each use</i>	<i>After each use</i>	<i>Every season</i>	<i>Before storage</i>	Service Dates															
Check for loose fasteners	X																			
Cleaning		X	X																	

CHECK FOR LOOSE FASTENERS

Before each use make a thorough visual check of the sun shade for any bolts and nuts which may have loosened. Retighten any loose bolts and nuts.

CLEANING

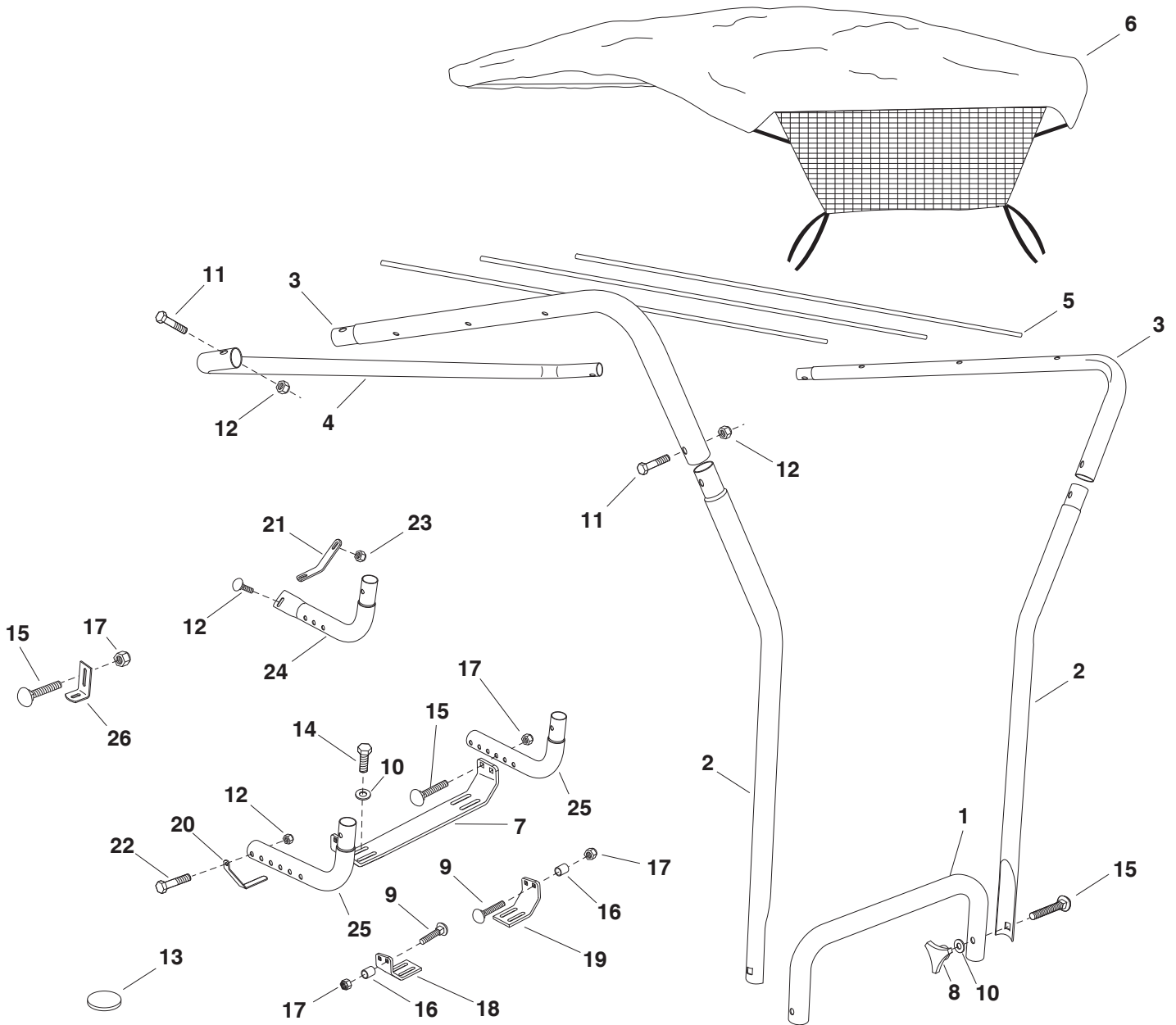
Wipe loose dirt and debris from the vinyl canopy after each use. The vinyl canopy can be washed using mild liquid soap and water.

STORAGE

Clean the vinyl canopy thoroughly with mild liquid soap and water. Allow to dry before storing.

Store the sun shade in a clean, dry area away from direct sun light.

REPAIR PARTS FOR MODEL 71-24227 SUN SHADE



REF. NO.	PART NO.	QTY.	DESCRIPTION	REF. NO.	PART NO.	QTY.	DESCRIPTION
1	49242	1	Base Top Tube	15	44977	6	Carriage Bolt, 5/16-18 x 2"
2	25014	2	Upright Tube	16	23658	4	Spacer
3	25013	2	Top Tube	17	47810	6	Nylock Nut, 5/16-18
4	25012	1	U-Tube	18	25303	1	Left Base Bracket
5	25015	3	Support Rod	19	25302	1	Right Base Bracket
6	48660	1	Vinyl Canopy	20	25794	1	Left Support Bracket
7	25793	1	Base Bracket	21	25835	1	Right Support Bracket
8	43720	2	Plastic Knob	22	44180	1	Hex Bolt, 5/16-18 x 2"
9	46594	4	Carriage Bolt, 5/16-18 x 2-3/4"	23	43176	1	Carriage Bolt, 1/4-20 x 1"
10	43081	4	Flat Washer, 5/16"	24	40003	1	Base Leg Tube, Flattened
11	43648	4	Hex Bolt, 1/4-20 x 1-1/2"	25	49325	2	Base Leg Tube
12	47189	5	Nylock Nut, 1/4-20	26	25304	2	Rear Base Support Bracket
13	48661	4	Adhesive Pad		49950	1	Owner's Manual
14	43063	2	Hex Bolt, 5/16-18 x 1"				

NOTE: Most fasteners are readily available through any hardware store.

Call 1-866-576-8388 for missing parts or assembly help
DO NOT RETURN TO STORE

Get it fixed, at your home or ours!

Your Home

For repair – **in your home** – of **all** major brand appliances, lawn and garden equipment, or heating and cooling systems, **no matter who made it, no matter who sold it!**

For the replacement parts, accessories and owner's manuals that you need to do-it-yourself.

For Sears professional installation of home appliances and items like garage door openers and water heaters.

1-800-4-MY-HOME® (1-800-469-4663)

Call anytime, day or night (U.S.A. and Canada)

www.sears.com www.sears.ca

For expert home solutions advice: www.managemyhome.com

Our Home

For repair of carry-in items like vacuums, lawn equipment, and electronics, call or go on-line for the location of your nearest

Sears Parts & Repair Service Center

1-800-488-1222 (U.S.A.) **1-800-469-4663** (Canada)

Call anytime, day or night

www.sears.com www.sears.ca

To purchase a protection agreement on a product serviced by Sears:

1-800-827-6655 (U.S.A.)

1-800-361-6665 (Canada)

Para pedir servicio de reparación a domicilio, y para ordenar piezas:

1-888-SU-HOGAR®

(1-888-784-6427)

Au Canada pour service en français:

1-800-LE-FOYER^{MC}

(1-800-533-6937)

www.sears.ca



Free Manuals Download Website

<http://myh66.com>

<http://usermanuals.us>

<http://www.somanuals.com>

<http://www.4manuals.cc>

<http://www.manual-lib.com>

<http://www.404manual.com>

<http://www.luxmanual.com>

<http://aubethermostatmanual.com>

Golf course search by state

<http://golfingnear.com>

Email search by domain

<http://emailbydomain.com>

Auto manuals search

<http://auto.somanuals.com>

TV manuals search

<http://tv.somanuals.com>