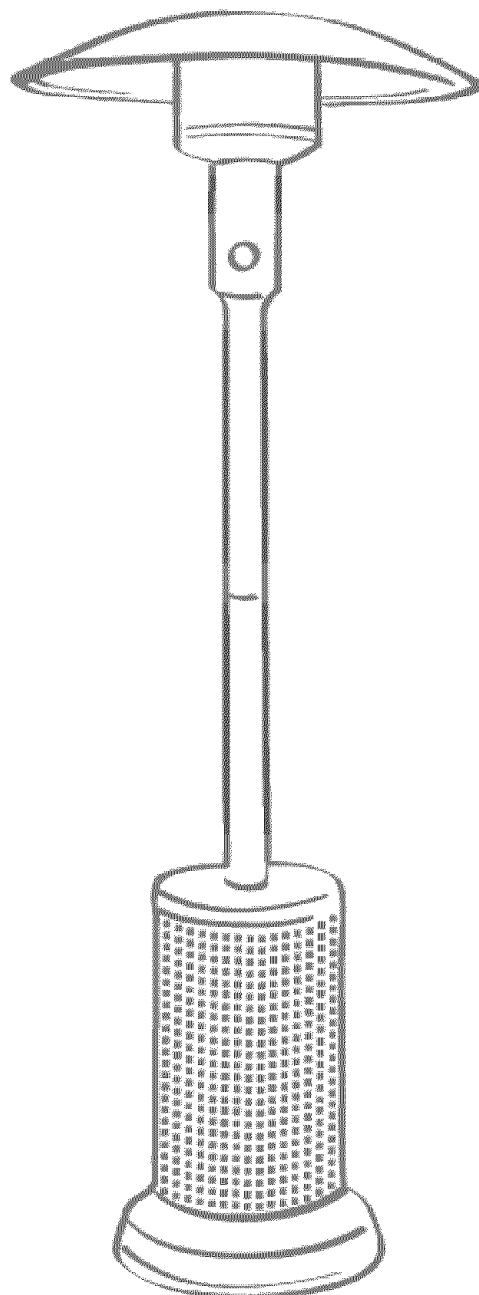


Owner's Manual



Liquid Propane Patio Heater

Model 141.229952



Customer Service Helpline: If you have questions about assembly or operation, or if there are damaged or missing parts when you unpack this unit from the shipping box, call us 8am - 8pm CST, Monday through Friday at: **1-888-317-7642**

⚠ WARNING:

Read this Owner's Manual carefully and be sure your patio heater is properly assembled, installed and maintained. Failure to follow these instructions could result in serious bodily injury and/or property damage. This patio heater is intended for outdoor use only and is not intended to be installed in or on recreational vehicles or boats.

Note to Installer: Leave this Owner's Manual with the consumer after delivery and/or installation.

Note to Consumer: Leave this Owner's Manual in a convenient place for future reference.

**Sears, Roebuck and Co.,
Hoffman Estates, IL 60179 U.S.A.**

P46B7A - Rev. 10/16/2004

Table of Contents

Warranty	2
Safety Instructions	2
Clearance Requirements	5
Parts Diagram and Part Lists	6
Assembly Instructions	10
Lighting Instructions	13
Frequently Asked Questions	14

Full 1-Year Warranty

For one year from the date of purchase Sears will repair or replace, at our option, any patio heater part (except for Ignitor battery) that is defective in material or workmanship.

This warranty does not cover:

- Ignitor battery.
- Reshaping or dents in soft, aluminum Reflector that may be caused by, but not limited to, falling debris.
- Patio heater if it is used for commercial or rental purposes.

This warranty applies only when the patio heater is used in the United States.

This warranty is void if the patio heater Head Assembly has been altered or disassembled.

This warranty gives you specific legal rights, and you may also have other rights which vary from state to state.

**Sears, Roebuck and Co., Dept. 817WA,
Hoffman Estates, IL 60179**

WARNING

Combustion by-products produced when using this product contain chemicals known to the State of California to cause cancer, birth defects, or reproductive harm.

Read These Safety Instructions

WARNING

Failure to comply with these instructions could result in a fire or explosion that could cause serious bodily injury, death, or property damage.

Important Safety Rules:

1. Children and adults should be alert to high surface temperature of areas above the post when operating this heater.
2. Children should be carefully supervised when they are in the area of the heater.
3. **NEVER** hang anything including clothes or other flammable items on the heater.
4. **DO NOT** operate this heater unless it is fully assembled with Reflector in place.
5. Installation and repair should be done by a qualified service person. The heater should be inspected before first use and at least annually by a qualified service person. More frequent cleaning may be required as necessary. It is important that the patio heater Head be kept clean of debris to prevent blockage of air flow.

Prior to assembling your patio heater, the following must be reviewed. Compliance with the following should result in satisfactory heater operation. This Owner's Manual should be retained for future reference. The installation must conform with local codes of your area.

1. This gas fired infrared patio heater is intended for heating. The installation must conform with local codes or, in the absence of local codes with the National Fuel Gas code, ANSI Z223.1. In Canada, heater installation must conform with local building codes or, in the absence of local codes, with the current National Standards of Canada CAN/CGA-B 149.2.
2. The following must be maintained at all times when the patio heater is in operation:
 - Adequate clearance around air openings into the Combustion Chamber.
 - Clearances from combustible materials.
 - Provisions for accessibility.
 - Combustion and ventilating air supply.

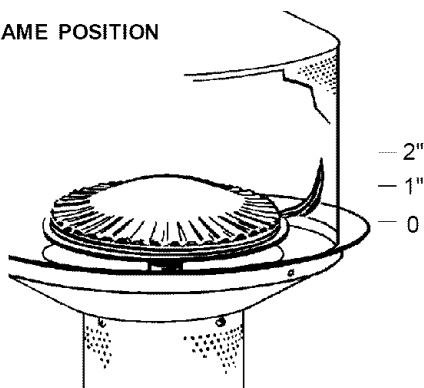
- Proper clearance from combustible materials must be maintained at all times. **Minimum clearances are as follows:**

**Sides 24" Top 18"
Below Reflector Head 85"**

Combustible materials include wood, compressed paper, plant fibers, plastic, plexiglas or other materials capable of being ignited and burned. Such materials shall be considered combustible even though flameproof, fire-retardant treated or plastered. Additional clearance may be required for glass, painted surfaces and other materials which may be damaged by radiant or convection heat.

- Patio heater must be placed on a level surface.
- The Gas Manifold supply pressure must be regulated at 11" water column utilizing a UL listed regulator. Any replacement regulator must be UL listed. The minimum inlet pressure to the regulator from the tank is 10 psi and maximum pressure is 150 psi.
- The patio heater must be inspected before each use, and annually by a qualified service person.
 - All gas connections should be checked for leaks utilizing a soap solution. Never use a flame for this purpose.
 - The flame pattern can be observed through the perforated emitter grid on the heater head assembly and should be visually checked whenever the patio heater is operated (see Fig. 1). If flames extend more than 2 inches in height or 1/2 inch outside the surface of the Emitter Grid or black soot is accumulating on the Emitter Grid or Reflector, the heater should be turned off immediately. The heater should not be operated again until repairs are made.

FIGURE 1.
NORMAL FLAME POSITION



- The patio heater area must be kept clear and free of combustible materials, gasoline and other flammable vapors and liquids.

- The heater head and its components must be kept clear of dirt and cobwebs. Flow of combustion and ventilation air through the perforated portions of the heater must not be obstructed.
- Clean patio heater only with noncombustible, noncorrosive cleaning agents.
- The stainless steel Emitter Grid should be kept free of debris. Never spray cleaners into the Emitter Grid because of potential harm to internal components. NEVER paint the Emitter Grid or Reflector.

- The Regulator Hose must be protected from contact with hot or sharp surfaces both during use and while in storage. Position the hose so it does not rub against the LP gas Tank Cover which will be raised and lowered frequently. The hose assembly must be visually inspected prior to each use of the patio heater. If excessive abrasion or wear is evident, or the hose is cut, it must be replaced prior to operation. **DO NOT** use a Regulator or Hose Assembly other than the one supplied with the patio heater. The replacement Hose and Regulator Assembly may be obtained from your Sears Service Center or call 1-800-4-MY-HOME® (1-800-469-4663).

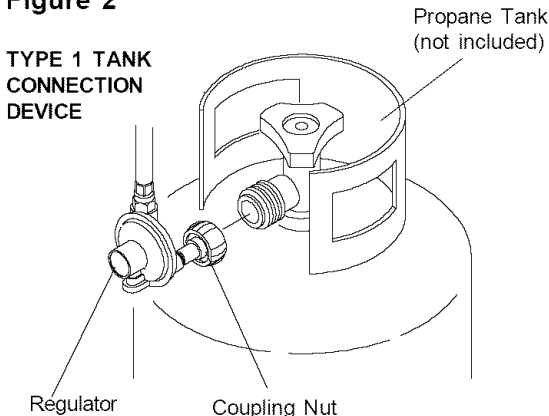
⚠ WARNING

A strong gas smell, or the hissing sound of gas indicates a serious problem with your patio heater or the LP gas tank. Failure to immediately follow the steps listed below could result in a fire or explosion which could cause serious bodily injury, death, or property damage.

- Shut off gas supply to the patio heater.
- Extinguish any open flame.
- Get away from the LP gas tank.
- Do not try to fix the problem yourself.
- If odor continues or you have a fire you cannot extinguish, call your fire department. Do not call near the LP gas tank because your telephone is an electrical device and could create a spark resulting in fire and/or explosion.

8. Installation and use of this patio heater must conform with local codes or, in the absence of local codes, with the Standards of Storage and Handling of Liquefied Petroleum Gases, ANSI/ NFPA 58.
9. This patio heater is designed to operate with a standard 20 lb. Liquid Propane Gas (LP gas) tank with Type 1 Tank Connection Device as shown in **Fig. 2**. (A.G.A. Requirements 10-94). The propane tank must (1) be provided with a shutoff valve. The outlet of the tank valve must be 1-5/16 ACME male thread specified in Type 1 Tank Connection Device per A.G.A. requirement 10-94. Per standard, the tank valve is designed to provide a positive sealing device for safety; (2) the tank supply system must be arranged for vapor withdrawal; and (3) the tank used must include a collar to protect the tank valve. The LP gas supply tank must be constructed and marked in accordance with the specifications for LP gas tanks of the U.S. Department of Transportation.

Figure 2



Screw the coupling nut of regulator onto the outlet tank valve.

10. The tank valve outlet must be maintained in good condition. When the tank is not connected to the patio heater, cover the valve with the tank supplied, dust cap. A leak test should be performed with soapy water whenever connecting a new tank. **Never** use a match to test for leaks.
11. The propane tank must be turned off whenever the patio heater is not in use. When the patio heater is stored indoors, the connection between the propane tank and the heater must be disconnected and stored in accordance with Chapter 5 of the Standard for Storage and Handling of Liquefied Gases, ANSI/NFPA 58.

12. Clothing or other flammable materials should not be hung from the heater, or placed on or near the heater. The area above the post may be extremely hot. Direct contact with these metal surfaces should be avoided in order to prevent burns or clothing ignition.
13. The patio heater has been designed with several safety features. These include a 100% safety shutoff control, elevated heating element, weighted base, and Type 1 Tank Connection Device. The Electronic Ignition System is an advanced feature which makes lighting the patio heater a very easy and matchless process. Any modification to the patio heater not described in the Owner's Manual may compromise the safety of this appliance and will void your warranty. Special concern should be given to the following warnings:

⚠ WARNING

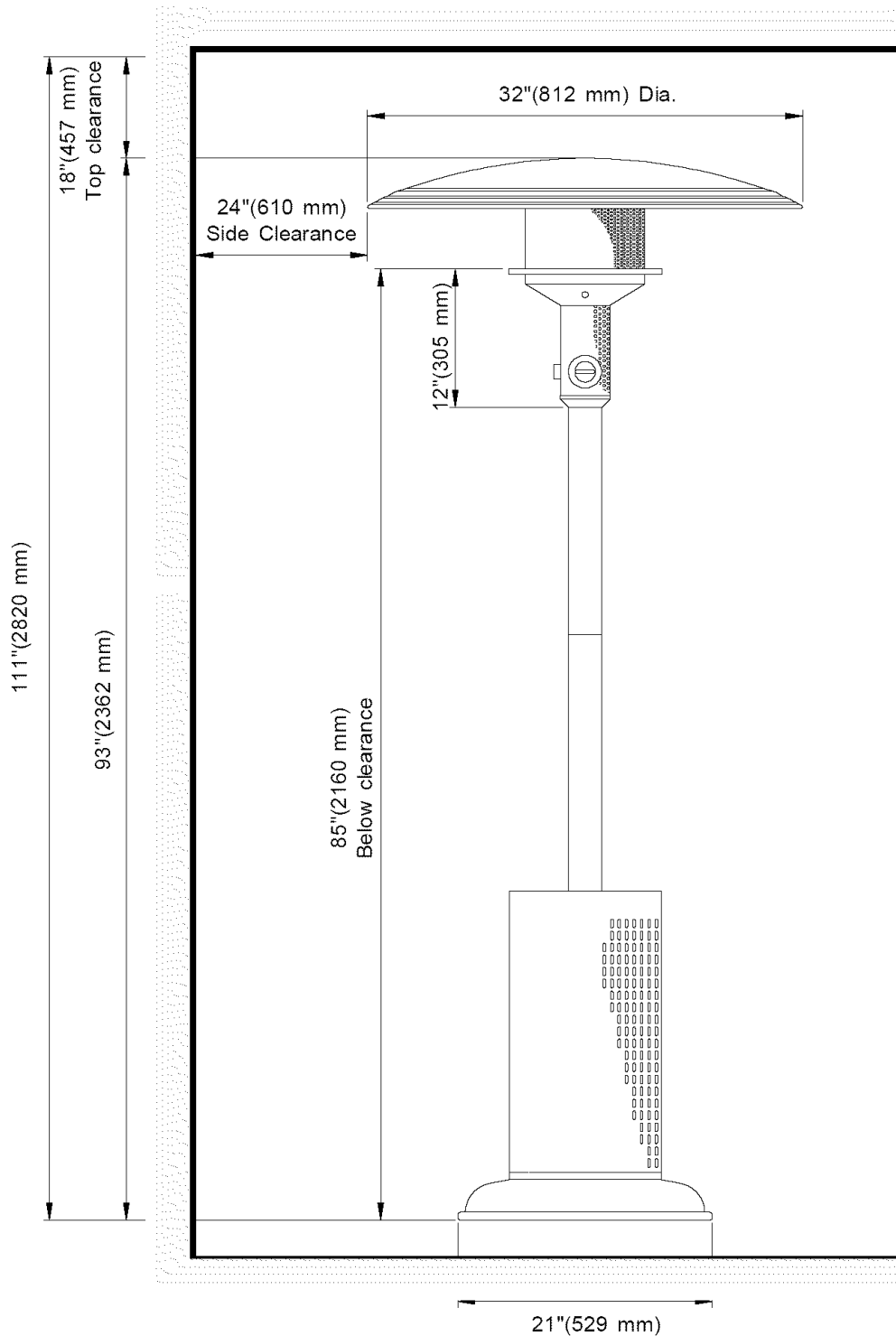
- **DO NOT** shorten the post length
- **DO NOT** bypass the thermocouple
- **DO NOT** operate heater without a reflector
- **DO NOT** operate without the weighted base
- **DO NOT** attempt to convert the patio heater for natural gas use.

Failure to comply with these instructions could result in a fire or explosion which could cause serious bodily injury, death, or property damage.

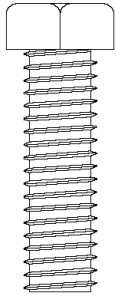
14. For outdoor use only. If stored indoors, detach and leave LP gas tank outdoors. The LP gas supply tank must be disconnected when patio heater is not in use.
15. **CAUTION:** You must use only the gas regulator provided with this patio heater. This regulator is set for an outlet pressure of 11 inches water column.

Kenmore LPG Patio Heater For Outdoor Use Only

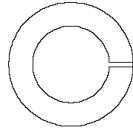
Minimum Clearance from Combustibles



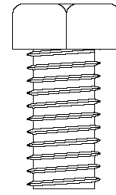
Quantity and Actual Size of Each Hardware Piece:



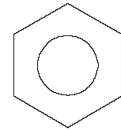
3/8"x1-1/4" Hex Head Screw
Qty. 3
Part # PH001
(attached to the Weighted Base)



3/8" Spring Washer
Qty. 15
Part # PH002



3/8"x3/4" Hex Head Screw
Qty. 6
Part # PH003



3/8" Cap Nut
Qty. 6
Part # PH004



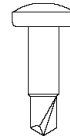
3/16"x1/2" Phillips Head Screw
Qty. 1
Part # PH005



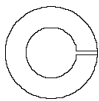
3/16" Spring Washer
Qty. 1
Part # PH006



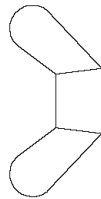
3/16" Nut
Qty. 1
Part # PH007



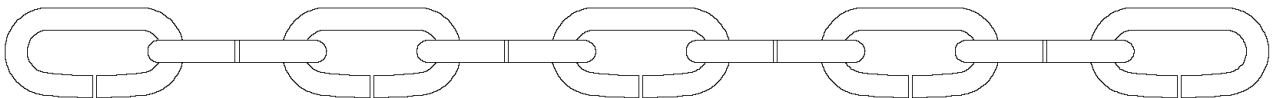
T4x15 Self-Tapping Screw
Qty. 5
Part # PH016



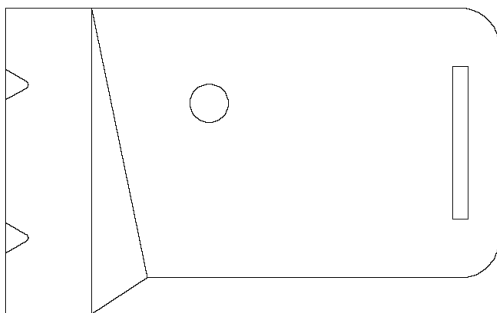
1/4" Spring Washer
Qty. 4
Part # PH009



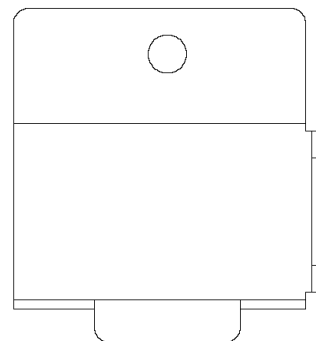
1/4" Wing Nut
Qty. 4
Part # PH010



Safety Chain
Qty. 1
Part # P7083A



Hose Holder A
Qty. 1
Part # P7079A



Hose Holder B
Qty. 1
Part # P7080A

*** One Battery/AA included in Hardware Pack**

Contents for Hardware Pack (Part # P55C9B)

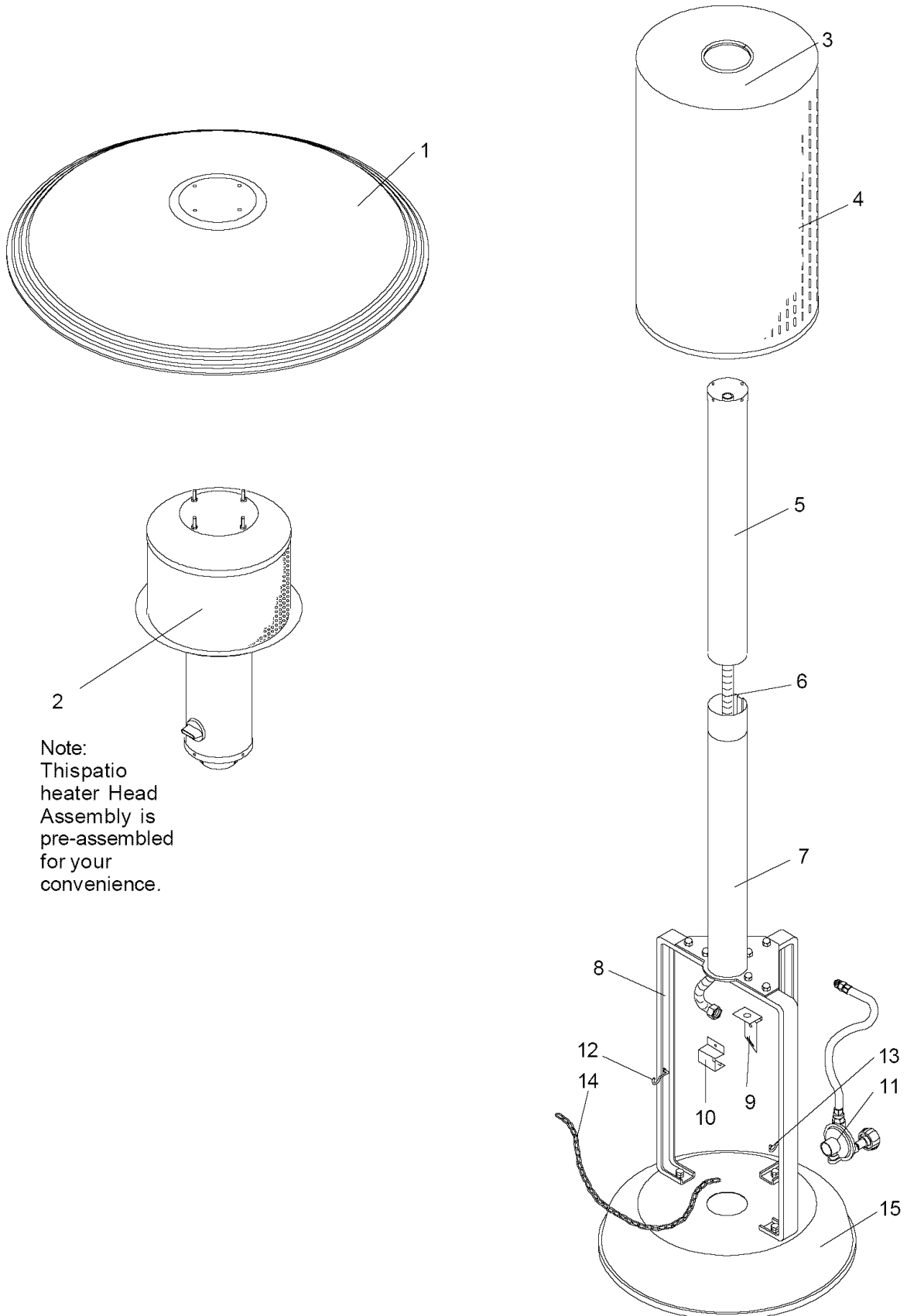
The following table illustrates a breakdown of the hardware pack. It highlights what components are used in the various stages of assembly.

Ref.	Component	Qty. to Use	Purpose of Components
PH002	3/8" Spring Washer	3	Install Legs to Weighted Base
PH003	3/8"x3/4" Hex Head Screw	5	Install Lower Post to Legs
PH002	3/8" Spring Washer	10	
PH004	3/8" Cap Nut	5	
P7079A	Hose Holder A	1	Install Hose Holder A to Leg
PH003	3/8"x3/4" Hex Head Screw	1	
PH002	3/8" Spring Washer	2	
PH004	3/8" Cap Nut	1	
PH016	T4x15 Self-Tapping Screw	4	Install Heater Head Assembly to Upper Post
PH016	T4x15 Self-Tapping Screw	1	Install Upper Post to Lower Post
PH009	1/4" Spring Washer	4	Install Reflector to Emitter Grid
PH010	1/4" Wing Nut	4	
P7083A	Safety Chain	1	Install Safety Chain to Legs
P7080A	Hose Holder B	1	Install Hose Holder B to Hose Holder A
PH005	3/16"x1/2" Phillips Head Screw	1	
PH006	3/16" Spring Washer	1	
PH007	3/16" Nut	1	

*** One Battery/AA included in Hardware Pack**

Parts Diagram

Remove all components from the packing carton and place within easy reach. Inspect patio heater parts for damage as you proceed. Do not assemble or operate your patio heater if parts appear damaged.



Note:
This patio
heater Head
Assembly is
pre-assembled
for your
convenience.

Parts List

REF#	DESCRIPTION	PART#	QTY
1.	Aluminum Reflector	P7055A	1
2.	Heater Head Assembly	P7086A	1
3.	Rubber Rim	P7073A	1
4.	LP Gas Tank Cover	P7074A	1
5.	Upper Post	P7075A	1
6.	Stainless Steel Fuel Hose	P7076A	1
7.	Lower Post	P7077A	1
8.	Leg	P7078A	3
9.	Hose Holder A	P7079A	1
10.	Hose Holder B	P7080A	1
11.	Gas Regulator Assembly	P7081A	1
12.	Chain Hook with Nut (Left)	P7082A	1
13.	Chain Hook with Nut (Right)	P05514045A	1
14.	Safety Chain	P7083A	1
15.	Cast Iron Base	P7085A	1
---	Owner's Manual	P46B7A	1
---	Hardware Pack (contents pg. 6/7)	P55C9B	1

If there are damaged or missing parts when you unpack this unit from the shipping box, or you have questions about assembly, call the Customer Service Helpline 8 am - 8 pm CST, Monday through Friday at 1-888-317-7642.

For the repair or replacement parts you need:

Call anytime, day or night

1-800-4-MY-HOME® (1-800-469-4663)

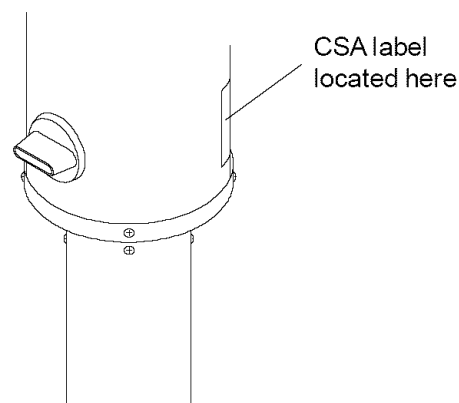
To make sure you obtain the correct replacement parts for your Kenmore patio heater, please refer to the part numbers on this page. The following information is required to assure you receive the correct parts:

1. Model Number (found on the CSA label located on the back of patio heater head. See **Fig. 1** below.)
2. Part Number
3. Part Description
4. Quantity of parts needed

Important: Keep this Owner's Manual for convenient referral and for part replacement.

Important: Use only Sears authorized parts. The use of any part that is not Sears authorized can be dangerous and will also void your product warranty.

Figure 1



Assembly Instructions

Before assembling the patio heater, use the parts list to check that all necessary parts have been included. Inspect patio heater for damage as you proceed. Do not assemble or operate the patio heater if it appears damaged. If you have questions during the assembly process, call 1-888-317-7642, 8am - 8pm CST, Monday through Friday.

CAUTION:

While it is possible for one person to assemble this patio heater, we recommend you have assistance when attaching the Reflector, heater Head Assembly and threading the stainless Fuel Hose.

Remove all parts and hardware from carton. Refer to the parts list and hardware pack illustrations and assemble the patio heater on a protective work surface to avoid scratching heater surfaces.

1. Unscrew the three 3/8"x1-1/4" Hex Head Screws from the Weighted Base.

Loosely install the two Legs with Hooks onto Weighted Base by using 2 of the 3/8" Spring Washers and the detached 3/8"x1-1/4" Hex Head Screws. Make sure the Hooks are in the front for the Safety Chain. See **Fig. 1**.

Loosely install the third Leg using a 3/8" Spring Washer and the detached 3/8"x1-1/4" Hex Head Screw.

2. Hang the Safety Chain on the Hooks of both Legs.
3. Attach the Lower Post (with bracket) onto the top of Legs by using 5 of the 3/8"x3/4" Hex Head Screws, 10 of the 3/8" Spring Washers and 5 of the 3/8" Cap Nuts in sequence as shown in **Fig. 2**. Use adjustable wrench to tighten the Nuts.
4. Secure Hose Holder A to the right Leg using 1 of the 3/8"x3/4" Hex Head Screw, 2 of the 3/8" Spring Washers and 1 of the 3/8" Cap Nut. See **Fig. 2**. Use adjustable wrench to tighten the Nut.
5. Tighten the loosely attached screws from **Steps 1, 3 and 4**.
6. Straighten the Corrugated Stainless Steel Fuel Hose and insert it through the Upper Post as shown in **Fig. 3**.

With another person holding the Upper Post upright, attach the Heater Head Assembly to the top of Upper Post using 4 of the T4x15 Self-Tapping Screws provided.

Tools Required for Assembly

- Protective gloves
- Eye protection
- One #2 Phillips Head Screwdriver
- Two Adjustable Wrenches

Figure 1

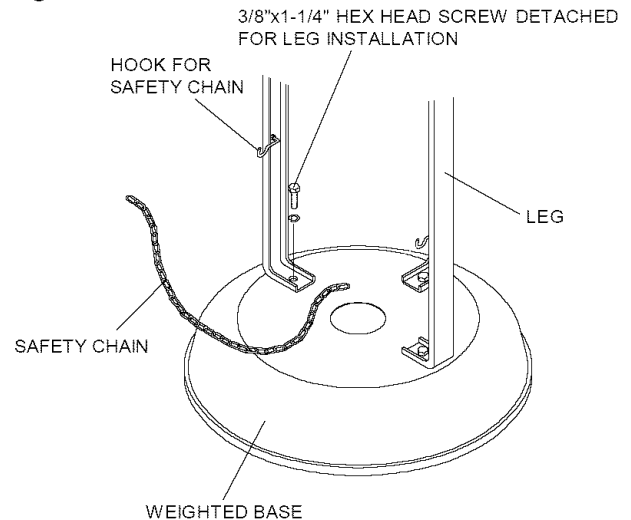


Figure 2

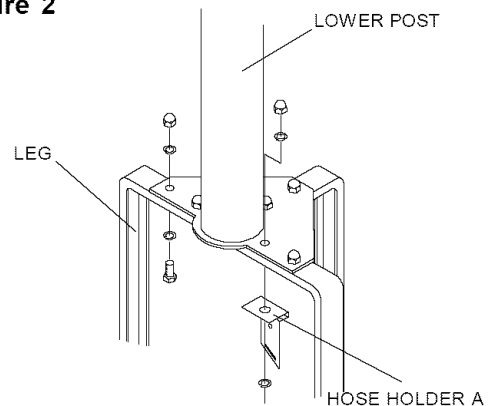
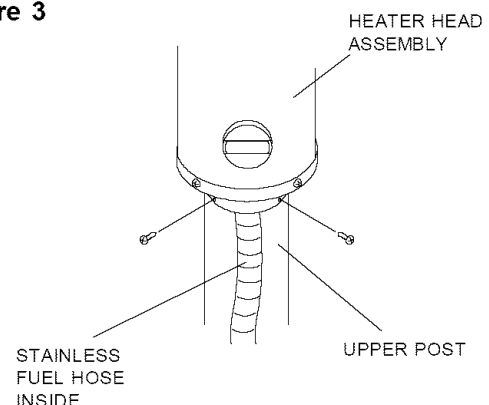


Figure 3



7. Attach the Reflector onto Emitter Grid by using 4 of the 1/4" Spring Washers and 1/4" Wing Nuts provided. See Fig. 4.
8. Slide the Tank Cover through the Lower Post and onto the Weighted Base. See Fig. 5.
9. Lift the assembled Upper Post and insert the balance of the Fuel Hose through Lower Post.
10. Keep the Upper Post slightly lifted and turn it until its screw hole faces the same direction as the sliding channel of the Lower Post. Slide Upper Post into Lower Post, until the holes on both posts align. Tighten securely using 1 of the T4x15 Self-Tapping Screws provided.
11. Raise the Tank Cover and tilt it sideways until it rests onto the bracket of the Lower Post. Connect the hose end fitting of the Regulator Assembly to the stainless steel Fuel Hose. Tighten securely with two adjustable wrenches.
12. Carefully bend the stainless steel Fuel Hose at a 90 degree angle. Hold the connected hose fittings against the installed Hose Holder A, and secure Hose Holder B to Hose Holder A by inserting the Fastening Strip into the slot of Hose Holder A. Tighten firmly using the 3/16"x1/2" Phillips Head Screw, and the 3/16" Spring Washer and 3/16" Nut provided. Use adjustable wrench to tighten the Nut.

Figure 4

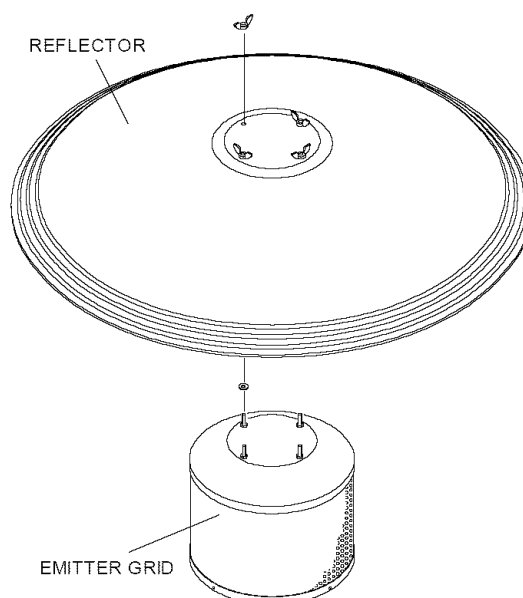
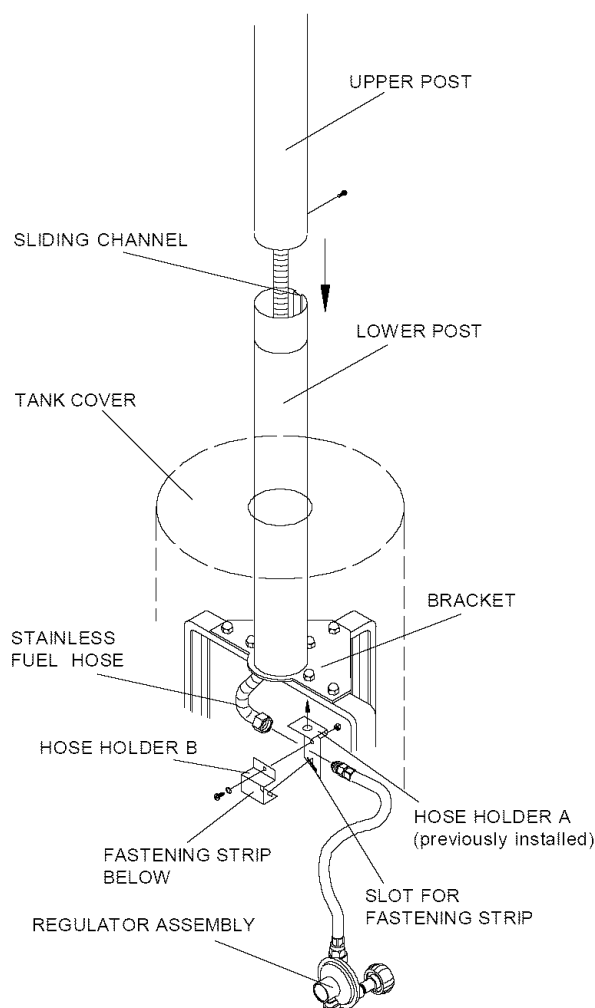


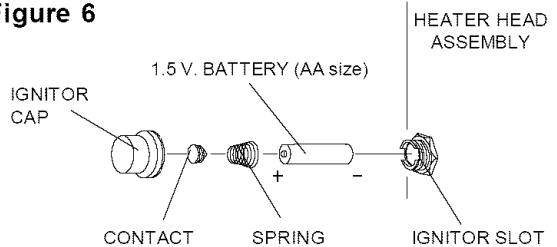
Figure 5



Ignitor Battery Installation - See Fig. 6

1. Unscrew the Ignitor Cap located on the Heater Head Assembly and remove the Contact and Spring from the Ignitor Slot.
2. Place the supplied AA battery into the Ignitor Slot with the positive pole facing outward. See Fig. 6.

Figure 6



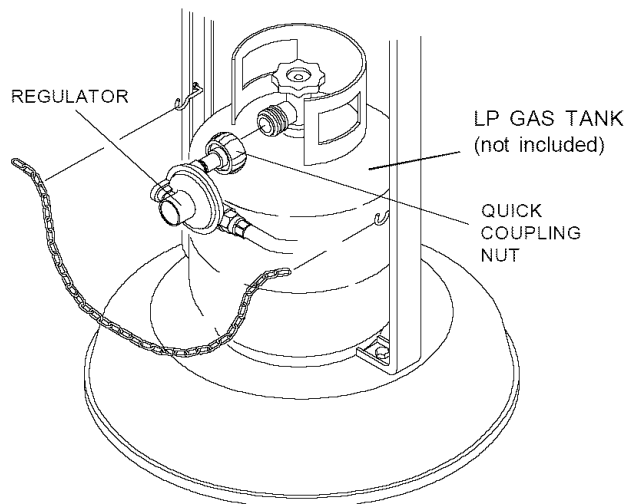
3. Place the Spring over the AA battery, then place the Contact on top of the Spring. Screw the Ignitor Cap back onto the Heater Head Assembly. See Fig. 6.

Connecting A Liquid Propane Gas (LP gas) Tank To Your Patio Heater

1. Raise LP Tank Cover and unhook the safety chain. Place your filled gas tank on the Weighted Base. Hang the Safety Chain on the Hooks of both Legs using the chain links which hold your tank most securely. See Fig. 7. Make sure the LP gas tank valve is in the full OFF position. (Turn clockwise to close.)

NOTE: When connecting the LP gas tank, position the tank so its Hose and Regulator does not interfere or rub against the Tank Cover which will be raised and lowered often, possibly causing damage to the hose.

Figure 7 TYPE 1 TANK CONNECTION DEVICE



CAUTION: When the patio heater is not in use, the gas must be turned off at the supply tank.

2. Check the tank valve feature to ensure it has proper external mating threads to fit the Hose and Regulator Assembly provided. (Type 1 connection per ANSI Z21.58a-1998)
3. Make sure the Burner Valve is in the OFF position.
4. Inspect the valve connection port and Regulator Assembly. Remove any debris and inspect hose for damage. Never attempt to use damaged or plugged equipment.
5. When connecting the Hose and Regulator Assembly to the tank valve, hand tighten nut clockwise to a full stop. Do Not use a wrench to tighten because it could damage the Quick Coupling Nut and result in a hazardous condition.
6. Open the tank valve fully (counterclockwise). Use a soapy water solution to check all connections for leaks before attempting to use your patio heater. If bubbles appear in the soap solution the connections are not properly sealed. Check each fitting and tighten or repair as necessary.

WARNING

If you have a gas leak that cannot be repaired by tightening, turn off the gas at the source, disconnect fuel line from your patio heater and call 1-800-4-MY-HOME® or your gas supplier for repair assistance.

Disconnecting A Liquid Propane Gas (LP gas) Tank From Your Patio Heater

1. Turn the Burner Valve and LP gas tank valve to the full OFF position. (Turn clockwise to close.)
2. Detach the Hose and Regulator Assembly from the LP gas tank valve by turning the Quick Coupling Nut counterclockwise.

Congratulations

Your Kenmore Patio Heater is now ready for use. Before the first use and at the beginning of each season (and whenever the LP gas tank has been changed):

1. Read all safety, lighting and operating instructions.
2. Check Gas Valve Orifices, Burner Tubes and Burner Ports for any obstructions.
3. Perform Gas Leak Check according to instructions found on page 13 of this manual.

Checking For LP Gas Leaks

Never test for leaks with a flame. Prior to first use, at the beginning of each season, or every time your LP gas tank is changed, you must check for gas leaks. Follow these four steps:

1. Make a soap solution by mixing one part liquid detergent and one part water.
2. Turn the Control Knob to the full OFF position, then turn the gas ON at source.
3. Apply the soap solution to all gas connections. If bubbles appear in the soap solution the connections are not properly sealed. Check each fitting and tighten or repair as necessary.
4. If you have a gas leak that cannot be repaired by tightening, turn off the gas at the source, disconnect fuel line from your patio heater and call 1-800-4-MY-HOME® or your gas supplier for repair assistance.

Warning: Improper installation, adjustment, alteration, service or maintenance can cause injury, death or property damage and will void your product warranty.

Lighting Instructions

Note: At first use, the Patio Heater Reflector may emit a slight odor and smoke due to the burn-off of oils used in the manufacturing process of this aluminum part. This is to be expected.

1. Familiarize yourself with the safety instructions and warnings at the front of this Owner's Manual. Do not smoke while lighting patio heater or checking gas supply connections. Be sure your patio heater is placed in accordance with the minimum clearance from combustibles as shown on page 5 of this Owner's Manual.
2. Be sure the LP gas tank is filled.
3. Make sure all gas connections are securely tightened.
4. Set Control Knob to "OFF" and open the LP gas tank valve.
5. Push and hold the Control Knob, then slowly turn it to "PILOT". The Ignitor will continuously spark at the same time.
6. Look through the 1/2" Manual Lighting Hole to see if the Pilot Flame is lit. If lit, continue pressing the Control Knob for 15 seconds to ensure the Pilot Flame remains on. If the pilot is not lit, turn the Control Knob to "OFF", and wait 5 minutes for gas to clear before attempting to light again.

7. Release the Control Knob and turn to "ON".
8. If the patio heater does not light you may need to purge air from the gas line or reset the regulator excess gas flow device. **Note:** this procedure should be done every time a new LP gas tank is connected to your patio heater.

To purge air from your gas line and/or reset the Regulator excess gas flow device:

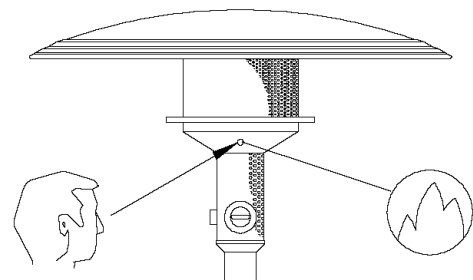
- Turn the Control Knob to the off position.
- Turn off the gas at the tank valve.
- Disconnect Regulator from the LP gas tank.
- Let unit stand for 5 minutes.
- Reconnect the Regulator to LP gas tank.
- Turn the tank valve on slowly until 1/4 to 1/2 open.
- Follow lighting steps 5 through 7 listed on this page.

WARNING

A strong gas smell, or the hissing sound of gas indicates a serious problem with your patio heater or the LP gas tank. Failure to immediately follow the steps listed below could result in a fire or explosion which could cause serious bodily injury, death, or property damage.

- Shut off gas supply to the patio heater.
- Extinguish any open flame.
- Get away from the LP gas tank.
- Do not try to fix the problem yourself.
- If odor continues or you have a fire you cannot extinguish, call your fire department. Do not call near the LP gas tank because your telephone is an electrical device and could create a spark resulting in fire and/or explosion.

MAGNIFIED VIEW OF PILOT FLAME THROUGH LIGHTING HOLE



Frequently Asked Questions

Question: Who do I call with questions about my Kenmore Patio Heater assembly or if parts are damaged or missing from my shipping box?

Answer: Call the Customer Service Helpline 8am - 8pm CST, Monday through Friday, at 1-888-317-7642.

Question: Can I convert my Kenmore Patio Heater from LP gas to natural gas?

Answer: No, this patio heater is manufactured to exact specifications and is CSA Design Certified for LP gas use only. For your own safety, conversion kits are not available and any attempt to convert your patio heater to natural gas will void your product warranty.

Question: Why doesn't the Hose and Regulator Assembly supplied with my new patio heater fit the older LP gas tank I've used for years?

Answer: The U.S. Government regulates gas appliances and LP gas tanks. Whenever new regulations are passed the LP gas tank fittings are altered. If your current tank does not fit the hose and regulator supplied with your new patio heater, the tank is outdated and must be replaced.

Question: When I originally started my patio heater there was some smoke and an odor coming from the Reflector. Is this normal?

Answer: Yes, at first use, the Patio Heater Reflector may emit a slight odor and smoke due to the burn-off of oils used in the manufacturing process of this aluminum part. This is to be expected.

Question: I expected an 8 to 12 foot radius of warmth from my patio heater but that seems to vary, sometimes greater and sometimes with less coverage area. What affects this radius?

Answer: Various weather conditions as well as the placement of your patio heater can affect the radius. Without winds and with temperatures above 40 degrees Fahrenheit you can warm a radius up to 12 feet. Higher winds and colder air will reduce the warming radius.

Question: Sometimes the pilot will not light. What are some possible causes of this?

Answer:

- May be air in the gas line or the Regulator excess flow device may need to be reset. Both are accomplished with one process. See instructions found under Lighting Instructions on page 13, step 8.
- Low gas pressure. Be sure LP gas tank is filled.
- Be sure the LP gas tank valve is open.
- Ignitor battery may need replacing.

Question: Why won't the pilot stay lit?

Answer:

- May be excessive winds. Position your patio heater in a more protected area away from winds of 10 mph or more, with proper clearances.
- Remove the Emitter Grid to clean the Pilot head or you need a service call the Customer Service Helpline 8am - 8pm CST, Monday through Friday at 1-888-317-7642.
- The Pilot Light Assembly or GM20 Gas Valve may be broken in which case you need to order the Heater Head Assembly. See the Parts List on page 9.

Question: The patio heater burner won't light. Why?

Answer:

- The Pilot Burner is not lit.
- Low gas pressure. Be sure LP gas tank is filled.
- Manual valve not in "ON" position.
- The gas line may need to be purged. Follow the Purging Instructions found under Lighting Instructions on page 13, step 8.

Question: How should I clean my patio heater?

Answer: Keep the heater head and its components clear of dirt cobwebs by brushing or wiping the areas clean. Do not spray cleaners into the emitter grid because of potential harm to internal components.

The stainless steel Post, Tank Cover, Base and Aluminum Reflector can be cleaned with a stainless steel spray cleaner and a soft cloth. Do not use gasoline, paint thinner or any other cleaning agent that can be combustible or corrosive.

Question: Where can I buy replacement parts?

Answer: For the repair or replacement parts you need call anytime, day or night 1-800-4-MY-HOME[®] (1-800-469-4663). Use only Sears authorized parts. The use of any part that is not Sears authorized can be dangerous and will also void your product warranty.

Question: Sometimes I hear a humming sound coming from my regulator. What causes this?

Answer: This is not to be confused with the "hissing" sound associated with leaking gas. The humming noise you may hear is the sound of gas flowing through the Regulator. You may have heard a similar sound at the gas meter at your home. Reasonable humming should be expected and will not affect the performance of your patio heater.

Get it fixed, at your home or ours!

Your Home

For repair – **in your home** – of all major brand appliances, lawn and garden equipment, or heating and cooling systems, **no matter who made it, no matter who sold it!**

For the replacement parts, accessories and owner's manuals that you need to do-it-yourself.

For Sears professional installation of home appliances and items like garage door openers and water heaters.

1-800-4-MY-HOME® (1-800-469-4663)

Call anytime, day or night (U.S.A. and Canada)

www.sears.com www.sears.ca

Our Home

For repair of carry-in items like vacuums, lawn equipment, and electronics, call or go on-line for the location of your nearest **Sears Parts & Repair Center.**

1-800-488-1222

Call anytime, day or night (U.S.A. only)

www.sears.com

To purchase a protection agreement (U.S.A.) or maintenance agreement (Canada) on a product serviced by Sears:

1-800-827-6655 (U.S.A.)

1-800-361-6665 (Canada)

Para pedir servicio de reparación a domicilio, y para ordenar piezas:

1-888-SU-HOGARSM

(1-888-784-6427)

Au Canada pour service en français:

1-800-LE-FOYER^{MC}

(1-800-533-6937)

www.sears.ca



© Registered Trademark / TM Trademark / SM Service Mark of Sears, Roebuck and Co.

© Marca Registrada / TM Marca de Fábrica / SM Marca de Servicio de Sears, Roebuck and Co.

^{MC} Marque de commerce / ^{MD} Marque déposée de Sears, Roebuck and Co.

© Sears, Roebuck and Co.

Free Manuals Download Website

<http://myh66.com>

<http://usermanuals.us>

<http://www.somanuals.com>

<http://www.4manuals.cc>

<http://www.manual-lib.com>

<http://www.404manual.com>

<http://www.luxmanual.com>

<http://aubethermostatmanual.com>

Golf course search by state

<http://golfingnear.com>

Email search by domain

<http://emailbydomain.com>

Auto manuals search

<http://auto.somanuals.com>

TV manuals search

<http://tv.somanuals.com>