



Kenmore 30-Inch Self-Clean Radiant Range

- White 22-92202
- Stainless 22-92203
- Bisque 22-92204
- Ultra SilverSteel™ 22-92208
- Black 22-92209

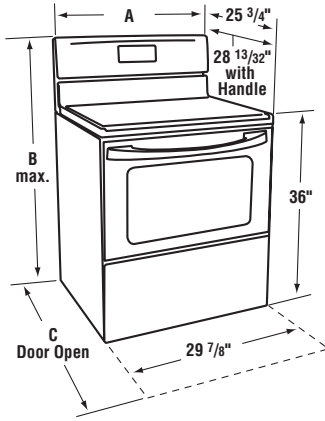
- 5.3 cu. ft. self-clean oven
- Ceramic glass top easily wipes clean
- Hot surface indicator light
- Cooktop on indicator light
- Oven control lockout
- One dual 9" / 6" @ 2,500 / 1,200W radiant element
- One 9" @ 2,500W radiant element
- Two 6" @ 1,200W radiant elements
- Dual Radiant™ baking system
- Easy Set™ 305 electronic oven controls and auto oven shutoff
- Two racks
- Interior light (auto & manual)
- Glass door with x-large window (22-92203: stainless door, 22-92208: Ultra SilverSteel™ door)
- Sabbath mode
- Storage drawer

Model	22-92202	22-92203	22-92204	22-92208	22-92209
Overall	White	Stainless	Bisque	Ultra Silver Steel	Black
Console	White	Brushed Aluminum	Bisque	Ultra Silver Steel	Black
Knobs	White	Black	Bisque	Black	Black
Door	White	Stainless	Bisque	Ultra Silver Steel	Black
Drawer	White	Stainless	Bisque	Ultra Silver Steel	Black
Handle	White	Stainless	Bisque	Black	Black
Sides	White	Black	Bisque	Black	Black
Surface	Black	Black	Black	Black	Black
Flecks	Grey	Grey	Bisque	Grey	Grey

SELECTION	KENMORE
White	22-92202
Stainless	22-92203
Bisque	22-92204
Ultra SilverSteel™	22-92208
Black	22-92209
OVEN FEATURES	SELF-CLEAN
Oven Capacity (cu. ft.)	5.3
Variable Time Self-Cleaning	Select Clean® 2-3-4 Hrs.
Electronic Oven Controls	Easy Set™ 305
Control Lockout	Oven
Delay Start	Cook & Clean
Automatic Oven Shutoff	•
Sabbath Mode*	•
Variable Broiling System	Hi / Lo
Total Adjustable Oven Racks	2
Oven Lights	Interior, Auto / Manual
Removable Glass Door**	•
Window	X-Large
Main Oven Interior W x H x D (in.)	24 3/8 x 19 3/4 x 19 1/8
COOKTOP FEATURES	
Element Type	Radiant
9-in. / 6-in. Dual (Watts)	1 @ 2,500 / 1,200
9-in. (Watts)	1 @ 2,500
6-in. (Watts)	2 @ 1,200
Cooktop Surface	Ceramic Glass
Cooktop On Indicator Lights	•
Hot Surface Indicator Lights	•
GENERAL FEATURES	
Drawer	Storage
Power Rating (kW) @ 240V / 208V	12.5 / 9.5
Bake / Broil @ 240V (Watts)	3,500 / 4,000
Bake / Broil @ 208V (Watts)	2,625 / 3,000
Breaker / Copper Wire Size (240V)	40 / 8
Shipping Weight (Approx. Lbs.)	175
WARRANTY	
1-Year Limited Warranty – Entire Appliance	Parts & Labor

If used for other than private family purposes, warranty applies for only 90 days.
 *Sabbath Mode overrides auto oven shutoff
 **Stainless model has stainless door, Ultra SilverSteel™ model has Ultra SilverSteel™ door

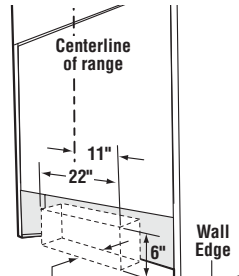




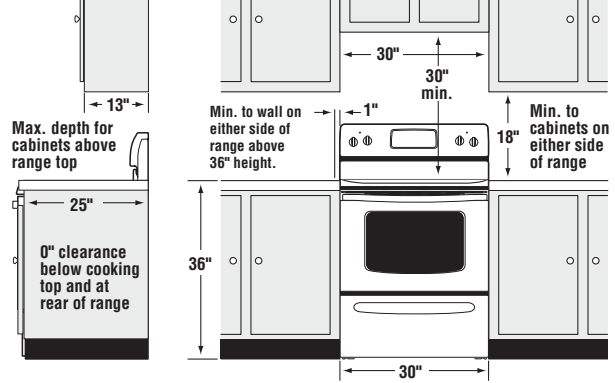
Dimensions, Inches (+/- 1/8")

	A	B	C
22-9220X	29 7/8	47 3/4	48 1/4

Dashed cubed area shows where the electrical outlet must be installed for flush to the wall installation. All dimensions for electrical outlet location are maximum.



2 5/8" for models equipped with warming drawer.
3 1/2" for models equipped with storage drawer.



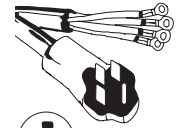
22-49614,
22-49616



RANGE CORDS FOR
ELECTRIC RANGES

Order	Wire	Length
22-49614	3	4 ft.
22-49616	3	6 ft.
22-49624*	4	4 ft.
22-49626*	4	6 ft.

22-49624,
22-49626



*Complies with 1/1/96 NEC code revision for new construction and remodeling



All ranges are equipped with an Anti-Tip device. The installation of this device is an important, required step in the installation of the range.



Free Manuals Download Website

<http://myh66.com>

<http://usermanuals.us>

<http://www.somanuals.com>

<http://www.4manuals.cc>

<http://www.manual-lib.com>

<http://www.404manual.com>

<http://www.luxmanual.com>

<http://aubethermostatmanual.com>

Golf course search by state

<http://golfingnear.com>

Email search by domain

<http://emailbydomain.com>

Auto manuals search

<http://auto.somanuals.com>

TV manuals search

<http://tv.somanuals.com>