



Side by Side Refrigerator

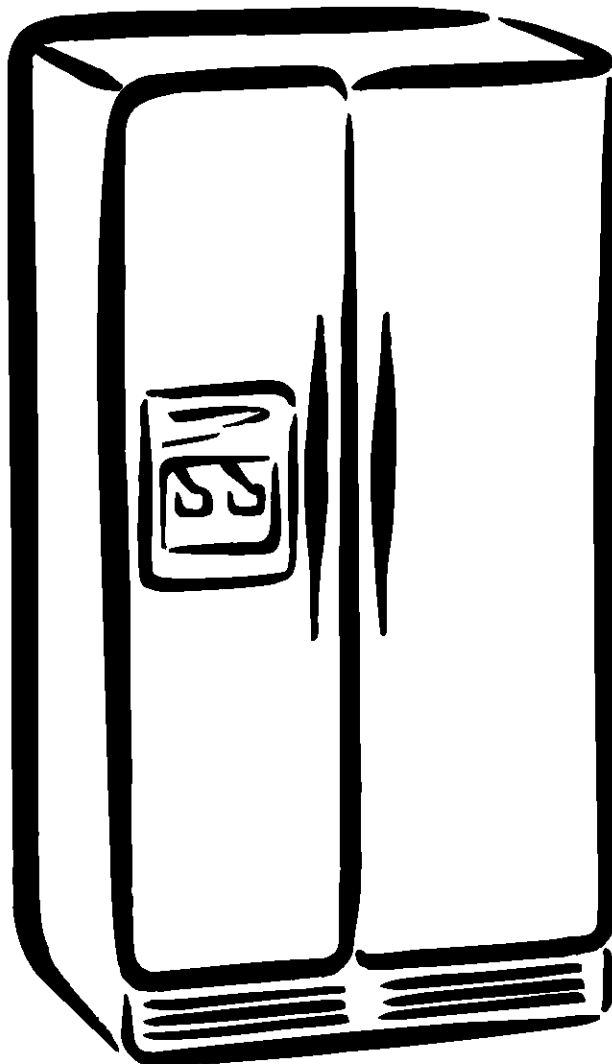
Use & Care Guide

Refrigerador de dos puertas

Manual de uso y cuidado

Réfrigérateur côte à côte

Guide d'utilisation et d'entretien



ENGLISH ESPAÑOL FRANÇAIS

Sears Roebuck and Co., Hoffman Estates, IL 60179 U.S.A.
Sears Canada, Inc., Toronto, Ontario, Canada M5B 2B8

2200128

www.sears.com

TABLE OF CONTENTS

| | |
|---|----|
| WARRANTY | 2 |
| REFRIGERATOR SAFETY | 3 |
| PARTS AND FEATURES | 4 |
| INSTALLING YOUR REFRIGERATOR | 5 |
| Unpacking Your Refrigerator | 5 |
| Space Requirements | 5 |
| Electrical Requirements | 6 |
| Removing the Doors | 6 |
| Removing the Door Handles | 7 |
| Water System Preparation | 7 |
| Connecting the Refrigerator to a Water Source | 8 |
| Base Grille | 9 |
| Door Closing | 9 |
| Understanding Sounds You May Hear | 10 |
| USING YOUR REFRIGERATOR | 10 |
| Ensuring Proper Air Circulation | 10 |
| Setting the Controls | 11 |
| Adjusting Control Settings | 11 |
| Food Storage Guide | 11 |
| REFRIGERATOR FEATURES | 13 |
| Ice Maker Storage Bin | 13 |
| Water and Ice Dispensers | 13 |
| Water Filtration and Monitoring System | 15 |
| Refrigerator Shelves | 16 |
| Lateral Shelf | 17 |
| Convertible Vegetable/Meat Drawer and Cover | 17 |
| Convertible Vegetable/Meat Drawer | |
| Temperature Control | 18 |
| Crisper and Crisper Cover | 18 |
| Crisper Humidity Control | 18 |
| Crisper Cover Extension | 19 |
| Deli Drawer | 19 |
| Door Rails | 19 |
| Door Bins | 19 |
| Freezer Shelf | 20 |
| Freezer Basket | 20 |
| CARING FOR YOUR REFRIGERATOR | 20 |
| Cleaning Your Refrigerator | 20 |
| Changing the Light Bulbs | 21 |
| Power Interruptions | 22 |
| Vacation and Moving Care | 22 |
| TROUBLESHOOTING | 23 |
| SEARS MAINTENANCE AGREEMENT | 27 |
| WATER FILTER CERTIFICATIONS | 28 |

WARRANTY

FULL ONE-YEAR WARRANTY ON REFRIGERATOR

For one year from the date of purchase, when this refrigerator is operated and maintained according to instructions attached to or furnished with the product, Sears will repair this refrigerator, free of charge, if defective in material or workmanship.

FULL FIVE-YEAR WARRANTY ON SEALED REFRIGERATION SYSTEM

For five years from the date of purchase, when this refrigerator is operated and maintained according to owner's instructions attached to or furnished with the product, Sears will repair the sealed system (consisting of refrigeration, connecting tubing, and compressor), free of charge, if defective in materials or workmanship.

The above warranty coverage applies only to refrigerators which are used for storage of food for private household purposes and excludes original and replacement Kenmore Filtered Ice & Water filter cartridges (if equipped with the filter system). Original and replacement cartridges are warranted for 30 days, parts only, against defects in material or workmanship.

WARRANTY SERVICE IS AVAILABLE BY CONTACTING THE NEAREST SEARS SERVICE CENTER IN THE UNITED STATES OR CANADA.

This warranty applies only while this product is in use in the United States or Canada. This warranty gives you specific legal rights, and you may also have other rights which vary from state to state or province to province.

Warranty terms may vary in Canada. Contact your local Sears Service Center for complete details.

**Sears, Roebuck and Co.
D/817WA, Hoffman Estates, IL 60179**

Sears Canada, Inc., Toronto, Ontario, Canada M5B 2B8

In the space below, record your complete model number, serial number, and purchase date. You can find this information on the model and serial number label, located as shown in the Parts And Features section of this book.

Have this information available to help you obtain assistance or service more quickly whenever you contact Sears concerning your refrigerator.

Model number 106. _____
Serial number _____
Purchase date _____

Save these instructions and your sales receipt for future reference.

REFRIGERATOR SAFETY

Your safety and the safety of others is very important.

We have provided many important safety messages in this manual and on your appliance. Always read and obey all safety messages.



This is the safety alert symbol.

This symbol alerts you to hazards that can kill or hurt you and others.

All safety messages will be preceded by the safety alert symbol and the word "DANGER" or "WARNING." These words mean:

⚠ DANGER

You will be killed or seriously injured if you don't follow instructions.

⚠ WARNING

You can be killed or seriously injured if you don't follow instructions.

All safety messages will identify the hazard, tell you how to reduce the chance of injury, and tell you what can happen if the instructions are not followed.

IMPORTANT SAFETY INSTRUCTIONS

WARNING – To reduce the risk of fire, electric shock, or injury when using your refrigerator, follow these basic precautions:

- Plug into a grounded 3 prong outlet.
- Do not remove ground prong.
- Do not use an adapter.
- Do not use an extension cord.
- Disconnect power before servicing.
- Replace all panels before operating.
- Remove doors from your old refrigerator.
- Use nonflammable cleaner.
- Keep flammable materials and vapors, such as gasoline, away from refrigerator.
- Use two or more people to move and install refrigerator.
- Disconnect power before installing ice maker.
- Use a sturdy glass when dispensing ice or water (on some models).

— SAVE THESE INSTRUCTIONS —

Proper Disposal of Your Old Refrigerator

⚠ WARNING

Suffocation Hazard

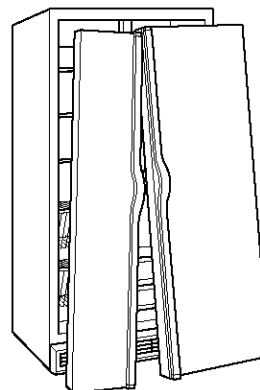
Remove doors from your old refrigerator.

Failure to do so can result in death or brain damage.

IMPORTANT – Child entrapment and suffocation are not problems of the past. Junked or abandoned refrigerators are still dangerous – even if they will sit for "just a few days." If you are getting rid of your old refrigerator, please follow the instructions below to help prevent accidents.

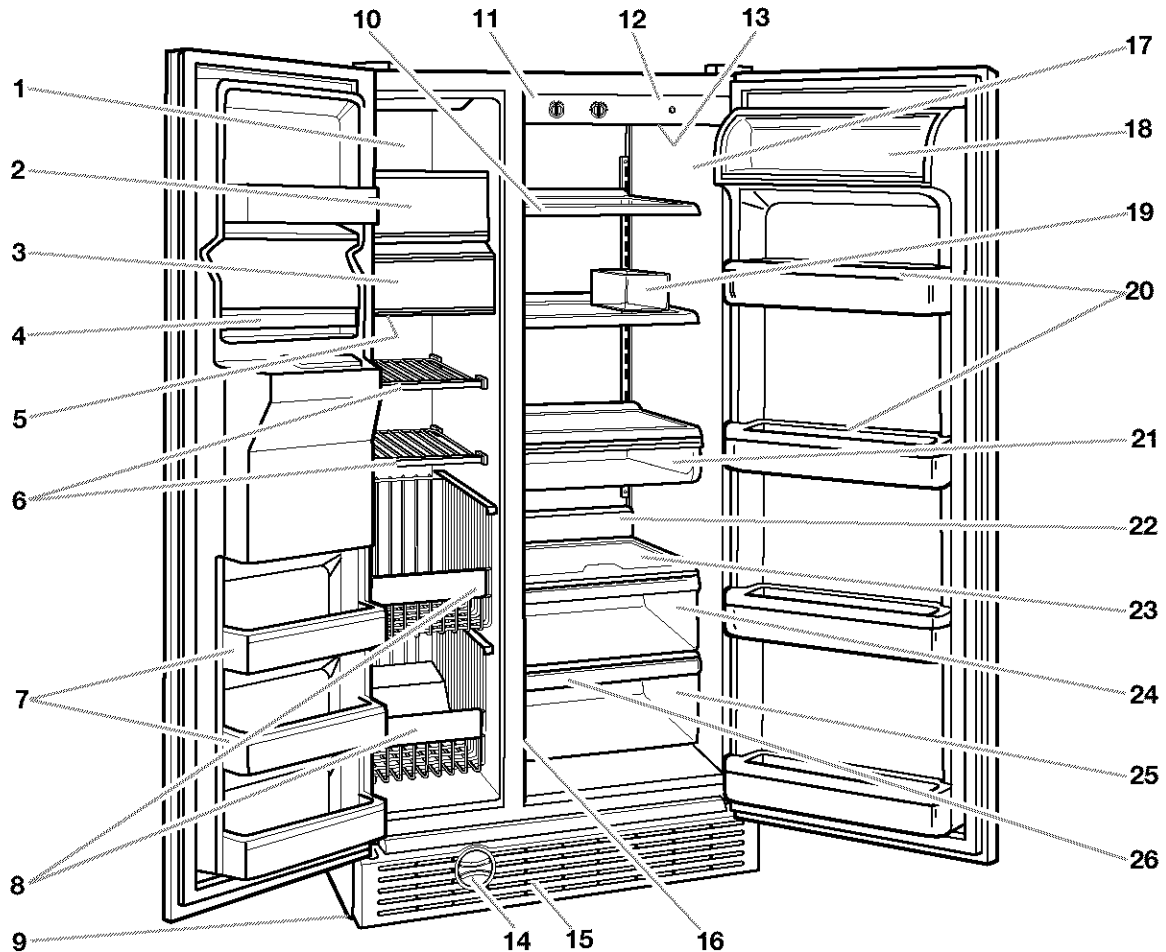
Before you throw away your old refrigerator or freezer:

- Take off the doors.
- Leave the shelves in place so that children may not easily climb inside.



PARTS AND FEATURES

This manual covers several different models. The refrigerator you have purchased may have some or all of the items listed. The locations of the features may not match your model.



1. Light
2. Automatic Ice Maker
3. Ice Bin
4. Drop-in Door Rails
5. Light
6. Removable Shelves
7. Snap-on Door Rails
8. Freezer Bins/Baskets (on some models)
9. Leveling Rollers (behind base grille)
10. Slide-out Shelves
11. Control Panel
12. Light Switch
13. Refrigerator Light
14. Water Filtration System (on some models)
15. Base Grille
16. Convertible Vegetable/Meat Drawer Temperature Control (on side wall)
17. Model and Serial Number Label (on side wall)
18. Dairy Compartment
19. Utility Bin
20. Door Bins (on some models)
21. Deli Drawer (on some models)
22. Crisper Light (on some models)
23. Slide-out Crisper Cover (on some models)
24. Crisper Drawer
25. Convertible Vegetable/Meat Drawer
26. Convertible Vegetable/Meat Drawer Cover

INSTALLING YOUR REFRIGERATOR

Unpacking Your Refrigerator

⚠ WARNING

Excessive Weight Hazard

Use two or more people to move and install refrigerator.

Failure to do so can result in back or other injury.

Removing packaging materials

- Remove tape and any labels from your refrigerator before using (except the model and serial number label).

To remove any remaining tape or glue, rub the area briskly with your thumb. Tape or glue residue can also be easily removed by rubbing a small amount of liquid dish soap over the adhesive with your fingers. Wipe with warm water and dry.

- Do not use sharp instruments, rubbing alcohol, flammable fluids, or abrasive cleaners to remove tape or glue. These products can damage the surface of your refrigerator. For more information, see the "Important Safety Instructions" section.

IMPORTANT: Do not remove any permanent instruction labels inside your refrigerator, or the Tech Sheet that is fastened to the base grille.

Cleaning before use

After you remove all of the packaging materials, clean the inside of your refrigerator before using it. See the cleaning instructions in the "Caring for your Refrigerator" section.

Space Requirements

⚠ WARNING

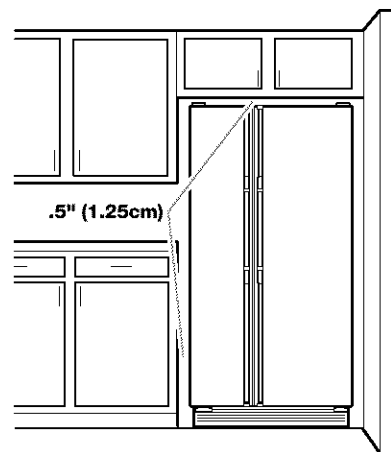


Explosion Hazard

Keep flammable materials and vapors, such as gasoline, away from refrigerator.

Failure to do so can result in death, explosion, or fire.

- To ensure proper ventilation for your refrigerator, allow for a .5" (1.25 cm) space on each side and at the top.



- If your refrigerator has an ice maker, make sure you leave some extra space at the back for the water line connections. The refrigerator can be flush against the back wall if you do not have an ice maker installed.
- If you are installing your refrigerator next to a fixed wall, leave 2" (5.08 cm) minimum on each side (depending on your model) to allow for the door to swing open.

NOTE: Do not install the refrigerator near an oven, radiator, or other heat source, nor in a location where the temperature will fall below 55°F (13°C).

Electrical Requirements

⚠ WARNING



Electrical Shock Hazard

Plug into a grounded 3 prong outlet.

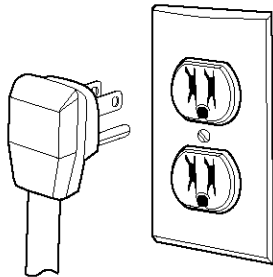
Do not remove ground prong.

Do not use an adapter.

Do not use an extension cord.

Failure to follow these instructions can result in death, fire, or electrical shock.

Before you move your refrigerator into its final location, it is important to make sure you have the proper electrical connection:



Recommended Grounding Method

A 115 Volt, 60 Hz., AC only 15 or 20 ampere fused, grounded electrical supply is required. It is recommended that a separate circuit serving only your refrigerator be provided. Use an outlet that cannot be turned off by a switch. Do not use an extension cord.

NOTE: Before performing any type of installation, cleaning, or removing a light bulb, turn the Thermostat Control (or Refrigerator Control depending on the model) to OFF and then disconnect the refrigerator from the electrical source. When you are finished, reconnect the refrigerator to the electrical source and reset the Thermostat Control (or Refrigerator Control) to the desired setting.

Removing the Doors

⚠ WARNING



Electrical Shock Hazard

Disconnect power before removing doors.

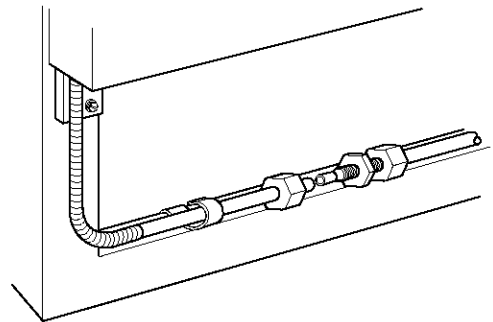
Failure to do so can result in death or electrical shock.

NOTE: Before removing doors, open both doors and remove base grille (see the "Base Grille" section).

Tools Needed:

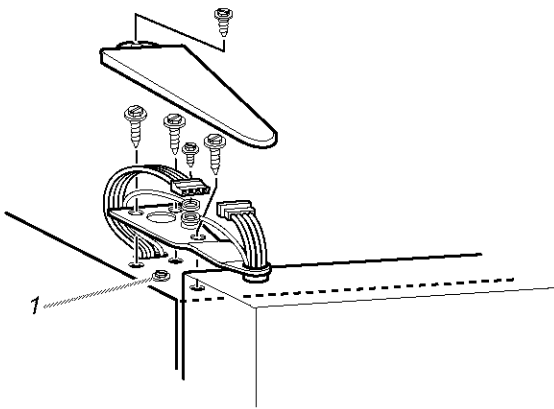
1/4-inch hex-head socket wrench and 5/16-inch hex-head socket wrench.

1. Unplug refrigerator or disconnect power supply.
2. If you have a dispenser (ice or water), disconnect water line (behind base grille).
 - Remove hose from clip.
 - Disconnect union nut and slide it back onto tube.
 - Remove metal insert from tube.
 - Remove union nut and spring.



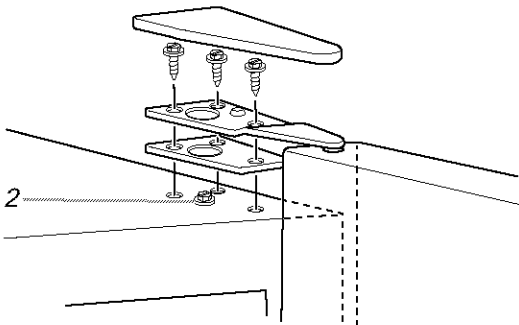
3. Remove left top hinge.

- Remove hinge cover and screws. **DO NOT REMOVE SCREW 1 AS SHOWN IN DIAGRAM.**
- Disconnect wiring plug and both ground wires.
- Carefully lift door up off bottom hinge. Make sure you protect water line from damage.



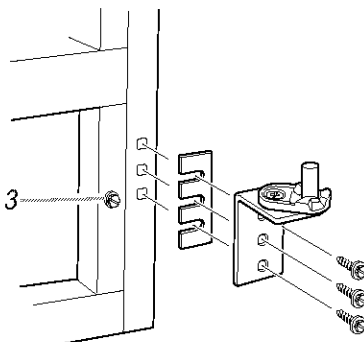
4. Disassemble right top hinge.

- Remove hinge cover and screws. **DO NOT REMOVE SCREW 2 AS SHOWN IN DIAGRAM.**
- Lift door up off bottom hinge.



5. Remove bottom hinge, if necessary. Both bottom hinges have similar construction. **DO NOT REMOVE SCREW 3 AS SHOWN IN DIAGRAM.**

NOTE: It may not be necessary to remove the bottom hinge to move refrigerator through a doorway.

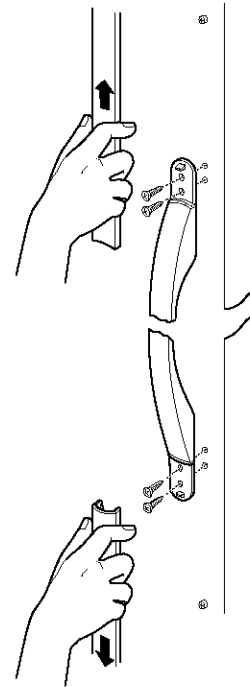


6. Replace doors.

7. Plug in refrigerator or reconnect power.

Removing the Door Handles

Apply firm pressure with hand on face of trim. Slide top trim up and bottom trim down away from handle, then lift off of shoulder screws. Remove screws.

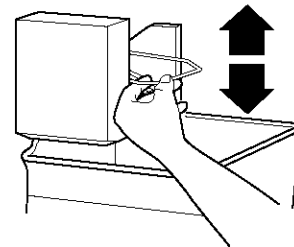


Water System Preparation

PLEASE READ BEFORE INSTALLATION

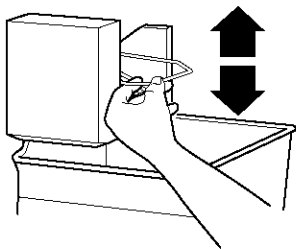
Immediately after installation, follow the steps below to make sure that the water system is properly cleaned.

1. Turn off the ice maker by opening the freezer door and lifting up the signal arm as shown.



2. Flush the water system by dispensing and discarding 2 - 3 gallons (approximately 6-7 minutes) of water through the dispenser. This will clean the system and help clean air from the lines. Additional flushing may be required in some households.

- Turn on the ice maker by opening the freezer door and lowering the signal arm as shown.



- Allow 24 hours to produce the first batch of ice. Ice maker should then produce approximately 7 to 9 batches of ice in a 24-hour period. Discard the first three batches of ice produced.

Connecting the Refrigerator to a Water Source

Read all directions carefully before you begin.

IMPORTANT:

- If operating the refrigerator before installing the water connection, turn ice maker to the OFF position to prevent operation without water.
- All installations must be in accordance with local plumbing code requirements.
- Use copper tubing and check for leaks.
- Install copper tubing only in areas where temperatures will remain above freezing.
- It may take up to 24 hours for your ice maker to begin producing ice.

Tools required:

- Standard screwdriver
- $\frac{7}{16}$ -inch and $\frac{1}{2}$ -inch open-end wrenches or two adjustable wrenches
- $\frac{1}{4}$ -inch nut driver
- $\frac{1}{4}$ -inch drill bit
- Hand drill or electric drill (properly grounded)

NOTE: Your refrigerator dealer has a kit available with a $\frac{1}{4}$ -inch saddle-type shut-off valve, a union, and copper tubing. Before purchasing, make sure a saddle-type valve complies with your local plumbing codes. Do not use a piercing-type or $\frac{3}{16}$ -inch saddle valve which reduces water flow and clogs more easily.

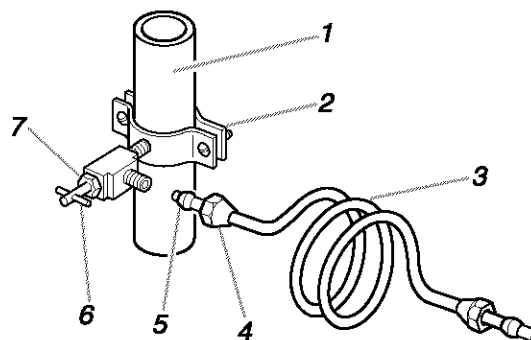
Cold Water Supply

The ice maker water valve contains a flow washer which is used as a water pressure regulator. The ice maker needs to be connected to a cold water line with water pressure between 30 and 120 psi. If a problem occurs, call your utility company.

Connecting to water line:

- Unplug refrigerator or disconnect power.
- Turn OFF main water supply. Turn ON nearest faucet long enough to clear line of water.
- Find a $\frac{1}{2}$ -inch to $1\frac{1}{4}$ -inch vertical COLD water pipe near the refrigerator.

NOTE: Horizontal pipe will work, but the following precaution must be taken: Drill on the top side of the pipe, not the bottom. This will help keep water away from the drill. This also keeps normal sediment from collecting in the valve.
- To determine the length of copper tubing you will need, measure from connection on lower left rear of refrigerator to water pipe. Add 7 feet (2.1 m) to allow for moving refrigerator for cleaning. Use $\frac{1}{4}$ -inch O.D. (outside diameter) copper tubing. Be sure both ends of copper tubing are cut square.
- Using a grounded drill, drill a $\frac{1}{4}$ -inch hole in the cold water pipe you have selected.

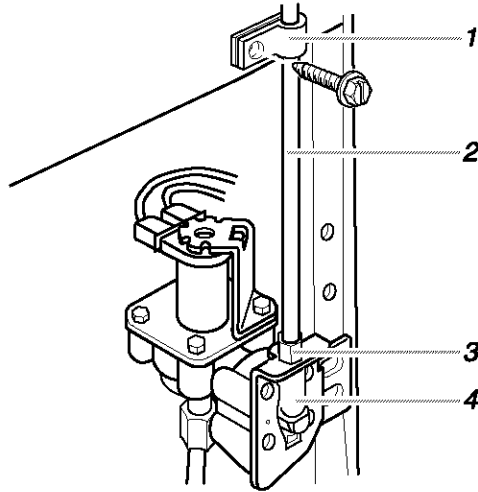


- Cold Water Pipe
- Pipe Clamp
- Copper Tubing
- Compression Nut
- Compression Sleeve
- Shut Off Valve
- Packing Nut

- Fasten shut-off valve to cold water pipe with pipe clamp. Be sure outlet end is solidly in the $\frac{1}{4}$ -inch drilled hole in the water pipe and that washer is under the pipe clamp. Tighten packing nut. Tighten the pipe clamp screws carefully and evenly so washer makes a watertight seal. Do not overtighten or you may crush the copper tubing, especially if soft (coiled) copper tubing is used. Now you are ready to connect the copper tubing.
- Slip compression sleeve and compression nut on copper tubing as shown. Insert end of tubing into outlet end squarely as far as it will go. Screw compression nut onto outlet end with adjustable wrench. Do not overtighten.
- Place the free end of the tubing into a container or sink, and turn ON main water supply and flush out tubing until water is clear. Turn OFF shut-off valve on the water pipe. Coil copper tubing.

Connecting to refrigerator:

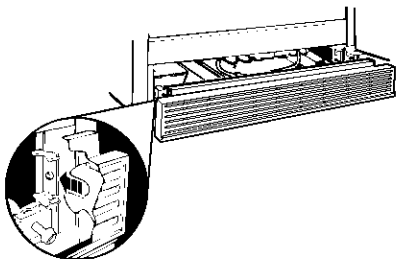
1. Attach the copper tube to the valve inlet using a compression nut and sleeve as shown. Tighten the compression nut. Do not overtighten. Use the tube clamp on the back of the refrigerator to secure the tubing to the refrigerator as shown. This will help prevent damage to the tubing when the refrigerator is pushed back against the wall. Move to step 2.
2. **Turn shut-off valve ON. Check For Leaks.** Tighten any connections (including connections at the valve) or nuts that leak.



1. Tube Clamp
2. Copper tubing
3. Compression Nut
4. Valve Inlet

3. The ice maker is equipped with a built-in water strainer. If local water conditions require periodic cleaning or a well is your source of water supply, a second water strainer should be installed in the 1/4-inch water line. Obtain a water strainer from your nearest appliance dealer. Install at either tube connection.
4. Plug in refrigerator or reconnect power.

Base Grille



To remove the base grille:

1. Open both refrigerator doors.
2. Place hands along the ends of the grille, with your thumbs along the top. Push in with your thumbs and pull up on the bottom.

NOTE: Be sure to refasten the Tech Sheet behind the base grille after cleaning.

To replace the grille:

1. Open the doors.
2. Line up the grille support tabs with the metal clips.
3. Push the grille firmly to snap it into place.

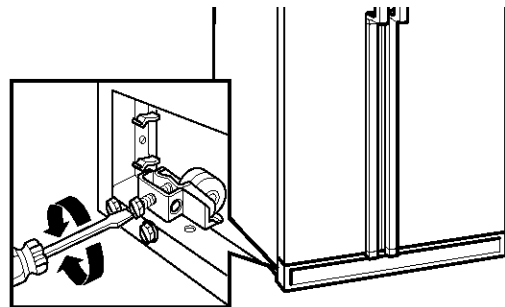
Door Closing

Door Closing

Your refrigerator has 2 front adjustable rollers — one on the right and one on the left. If your refrigerator seems unsteady or you want the doors to close easier, adjust the refrigerator's tilt using the instructions below:

1. Plug in refrigerator.
2. Move the refrigerator into its final position.
3. Remove the base grille (see “Base Grille” earlier in this section). The two leveling screws are part of the front roller assemblies which are at the base of the refrigerator on either side.
4. Use a screwdriver to adjust the leveling screws. Turn the leveling screw to the right to raise that side of the refrigerator or turn the leveling screw to the left to lower that side. It may take several turns of the leveling screws to adjust the tilt of the refrigerator.

NOTE: Having someone push against the top of the refrigerator takes some weight off the leveling screws and rollers. This makes it easier to adjust the screws.



5. Open both doors again and check to make sure that they close as easily as you like. If not, tilt the refrigerator slightly more to the rear by turning both leveling screws to the right. It may take several more turns, and you should turn both leveling screws the same amount.
6. Replace the base grille.

Understanding Sounds You May Hear

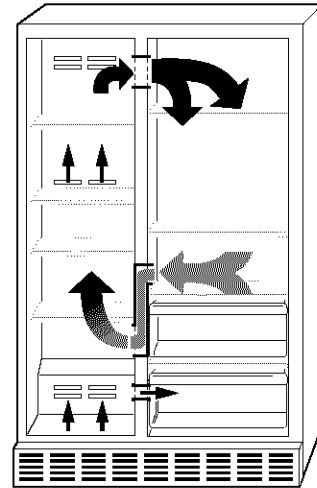
Your new refrigerator may make sounds that your old one didn't make. Because the sounds are new to you, you might be concerned about them. Most of the new sounds are normal. Hard surfaces, like the floor, walls, and cabinets, can make the sounds seem louder than they actually are. The following describes the kinds of sounds and what may be making them.

- If your product is equipped with an ice maker, you will hear a buzzing sound when the water valve opens to fill the ice maker for each cycle.
- The defrost timer will click when the automatic defrost cycle begins and ends. Also, the thermostat refrigerator control, will click when cycling on and off.
- Rattling noises may come from the flow of refrigerant, the water line, or items stored on top of the refrigerator.
- Your refrigerator is designed to run more efficiently to keep your food items at the desired temperature. The high efficiency compressor may cause your new refrigerator to run longer than your old one, and you may hear a pulsating or high-pitched sound.
- Water dripping on the defrost heater during a defrost cycle may cause a sizzling sound.
- You may hear the evaporator fan motor circulating the air through the refrigerator and freezer compartments.
- As each cycle ends, you may hear a gurgling sound due to the refrigerant flowing in your refrigerator.
- Contraction and expansion of the inside walls may cause a popping noise.
- You may hear air being forced over the condenser by the condenser fan.
- You may hear water running into the drain pan during the defrost cycle.

USING YOUR REFRIGERATOR

Ensuring Proper Air Circulation

In order to ensure proper temperatures, you need to permit air to flow between the two sections. Cold air enters the bottom of the freezer section and moves up. It then enters the refrigerator section through the top vent. Air then returns to the freezer as shown.



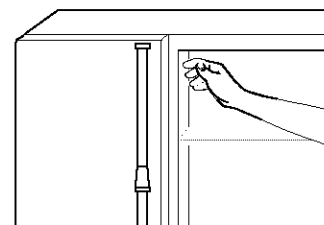
Do not block any of these vents with food such as soda, cereal, bread, etc. If the vents are blocked, airflow will be prevented and the temperature controls will not function properly.

IMPORTANT: Because air circulates between both sections, any odors formed in one section will transfer to the other. You must thoroughly clean both sections to eliminate odors. To prevent odor transfer from food, wrap or cover foods tightly.

Checking airflow

To measure the amount of cold air being directed from the freezer compartment into the refrigerator section, hold your hand in front of the top vent. You can adjust the Air Balance Control to feel the different amounts of airflow.

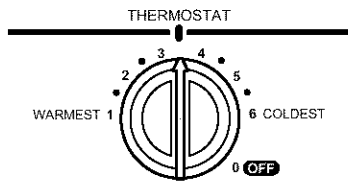
For further information on temperatures inside your refrigerator, refer to the "Troubleshooting" section.



Setting the Controls

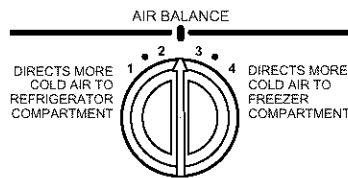
For your convenience, the refrigerator controls are preset at the factory. When you first install your refrigerator, make sure that the controls are still preset. The Thermostat Control and the Air Balance Control should both be at the "mid-settings" as shown in the illustrations below.

The Thermostat Control adjusts both the refrigerator and freezer compartment temperatures. Settings to the left of the mid-setting make the overall temperature in both compartments less cold. Settings to the right of the mid-setting make the overall temperature in both compartments colder.



NOTE: Your refrigerator will **not** cool when the Thermostat Control is set to OFF.

The Air Balance Control divides the amount of cold air entering both compartments. Settings to the left of the mid-setting direct more cold air into the refrigerator compartment. Settings to the right of the mid-setting direct more cold air into the freezer compartment.



Give your refrigerator time to cool down completely before adding food. It is best to wait 24 hours before you put food into the refrigerator.

IMPORTANT: If you add food before the refrigerator has cooled completely, your food may spoil. **Turning the Thermostat and Air Balance Controls to a higher (colder) than recommended setting will not cool the compartments any faster.**

Adjusting Control Settings

Give the refrigerator time to cool down completely before adding food. It is best to wait 24 hours before you put food into the refrigerator. The settings indicated in the previous section should be correct for normal household refrigerator usage. The controls are set correctly when milk or juice is as cold as you like and when ice cream is firm.

If you need to adjust temperatures in the refrigerator or freezer, use the settings listed in the chart below as a guide. Wait at least 24 hours between adjustments.

| CONDITION/REASON: | RECOMMENDED ADJUSTMENT: |
|---|--|
| REFRIGERATOR section too warm <ul style="list-style-type: none"> ■ Door opened often ■ Large amount of food added ■ Room temperature very warm | Turn AIR BALANCE Control one-half setting higher, wait 24 hours, then check the freezer temperature |
| FREEZER section too warm/ice not made fast enough <ul style="list-style-type: none"> ■ Door opened often ■ Large amount of food added ■ Very cold room temperature (can't cycle often enough) ■ Heavy ice usage ■ Air diffuser blocked by items | Turn AIR BALANCE Control one-half setting higher Move packages out of airstream |
| REFRIGERATOR section too cold <ul style="list-style-type: none"> ■ Controls not set correctly for your conditions | Turn THERMOSTAT Control to next lower number |
| FREEZER section too cold <ul style="list-style-type: none"> ■ Controls not set correctly for your conditions | Turn AIR BALANCE Control one-half setting lower |

Food Storage Guide

Storing Fresh Food

Wrap or store food in the refrigerator in airtight and moisture-proof material unless otherwise noted. This prevents food odor and taste transfer throughout the refrigerator. For dated products, check code date to ensure freshness.

Butter or margarine

Keep opened butter in covered dish or closed compartment. When storing an extra supply, wrap in freezer packaging and freeze.

Cheese

Store in the original wrapping until you are ready to use it. Once opened, rewrap tightly in plastic wrap or aluminum foil.

Milk

Wipe milk cartons. For best storage, place milk on interior shelf.

Eggs

Store in original carton on interior shelf.

Fruit

Wash, let dry, and store in refrigerator in plastic bags or crisper. Do not wash or hull berries until they are ready to use. Sort and keep berries in original container in a crisper, or store in a loosely closed paper bag on a refrigerator shelf.

Leafy vegetables

Remove store wrapping and trim or tear off bruised and discolored areas. Wash in cold water and drain. Place in plastic bag or plastic container and store in crisper.

Vegetables with skins (carrots, peppers)

Place in plastic bags or plastic container and store in crisper.

Fish

Use fresh fish and shellfish the same day as purchased.

Meat

Store most meat in original wrapping as long as it is airtight and moisture-proof. Rewrap if necessary. See the following chart for storage times. When storing meat longer than the times given, freeze the meat.

| | |
|--|-----------|
| Chicken | 1-2 days |
| Ground beef | 1-2 days |
| Variety meats (liver, heart, etc.) | 1-2 days |
| Cold cuts..... | 3-5 days |
| Steaks/roasts | 3-5 days |
| Cured meats | 7-10 days |

Leftovers

Cover leftovers with plastic wrap or aluminum foil. Plastic containers with tight lids can also be used.

Storing Frozen Food

NOTE: For further information about preparing food for freezing or food storage times, check a freezer guide or reliable cookbook.

Packaging

Successful freezing depends on the correct packaging. When you close and seal the package you must not allow air or moisture in or out. If you do, you could have food odor and taste transfer throughout the refrigerator, and also dry out frozen food.

Packaging recommendations:

- Rigid plastic containers with tight-fitting lids
- Straight-sided canning/freezing jars
- Heavy-duty aluminum foil
- Plastic-coated paper
- Non-permeable plastic wraps (made from saran film)
- Specified freezer self-sealing plastic bags

Follow package or container instructions for proper freezing methods.

Do not use:

- Bread wrappers
- Non-polyethylene plastic containers
- Containers without tight lids
- Wax paper or wax-coated freezer wrap
- Thin, semi-permeable wrap

Freezing

Your freezer will not quick-freeze any large quantity of food. Put no more unfrozen food into the freezer than will freeze within 24 hours (no more than 2 to 3 lbs of food per cubic foot [907-1,350 g per liter] of freezer space). Leave enough space in the freezer for air to circulate around packages. Be careful to leave enough room at the front so the door can close tightly.

Storage times will vary according to the quality and type of food, the type of packaging or wrap used, (airtight and moisture-proof), and the storage temperature. Ice crystals inside a sealed package are normal. This simply means that moisture in the food and air inside the package have condensed, creating ice crystals.

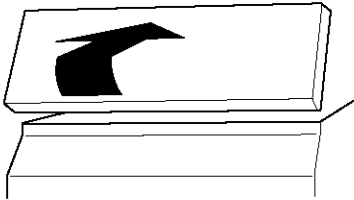
NOTE: Allow hot foods to cool at room temperature for 30 minutes, then package and freeze. Cooling hot foods before freezing saves energy.

REFRIGERATOR FEATURES

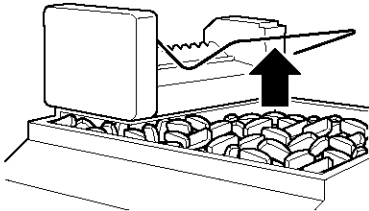
Ice Maker Storage Bin

To remove the ice bin:

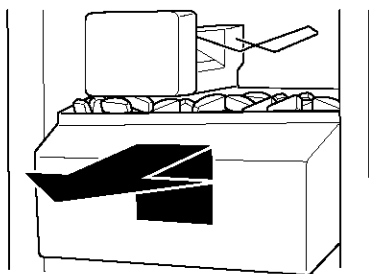
1. Pull the covering panel out from the bottom and then slide it back toward the rear.



2. Lift the signal arm so it clicks into the OFF (up) position. Ice can still be dispensed, but no more can be made.



3. Lift up the front of the storage bin and pull it out.



4. Empty the ice bin. Use warm water to melt the ice if necessary. **Never use anything sharp** to break up the ice in the bin. This can cause damage to the bin and the dispenser mechanism.
5. Wash with a mild detergent, rinse well and dry thoroughly. Do not use harsh or abrasive cleaners or solvents.
6. **When you replace the bin**, make sure it is pushed in all the way or the dispenser will not work. Then push the signal arm down to the ON position to restart ice production. Make sure the door is closed tightly.

Water and Ice Dispensers (on some models)

⚠ WARNING



Cut Hazard

Use a sturdy glass when dispensing ice or water.
Failure to do so can result in cuts.

Depending on your model, you may have one or more of the following options: the ability to select either crushed or cubed ice, a special light that turns on when you use the dispenser, or a lock option to avoid accidental dispensing.

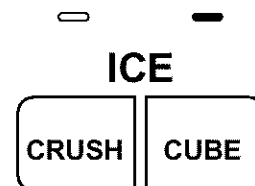
The ice dispenser

Ice dispenses from the ice maker storage bin in the freezer. When the dispenser lever is pressed:

- A trapdoor opens in a chute between the dispenser and the ice bin.
- Ice moves from the bin and falls through the chute.
- When you release the dispenser lever, the trap door closes and the ice dispensing stops. The dispensing system will not operate when the freezer door is open.

Some models dispense both cubed and crushed ice. Before dispensing ice, select which type of ice you prefer. The button controls are designed for easy use and cleaning.

- For cubed ice, press the CUBE button until the red indicator appears in the window above the CUBE button.

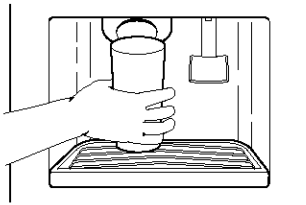


- For crushed ice, press the CRUSH button until the red indicator appears in the window above the CRUSH button.

For crushed ice, cubes are crushed before being dispensed. This may cause a slight delay when dispensing crushed ice. Noise from the ice crusher is normal, and pieces of ice may vary in size. When changing from CRUSH to CUBE, a few ounces of crushed ice will be dispensed along with the first cubes.

To dispense ice:

1. Press button for the desired type of ice.
2. Press a **sturdy** glass against the ice dispenser lever. Hold the glass close to the dispenser opening so ice does not fall outside of the glass.



IMPORTANT: You do not need to apply a lot of pressure to the lever in order to activate the ice dispenser. Pressing hard will not make the ice dispense faster or in greater quantities.

3. Remove the glass to stop dispensing.

NOTE: The first few batches of ice may have an off-flavor from new plumbing and parts. Throw the ice away. Also, take large amounts of ice from the ice bin, not through the dispenser.

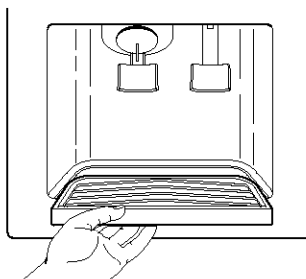
The water dispenser

Chilled water comes from a container behind the meat drawer. It holds approximately 1½ quarts (1.5 L).

When the refrigerator is first hooked up, press the water dispenser bar with a glass or jar until you draw and discard 2 or 3 quarts (1.9 to 2.8 L). It will take three to four minutes for the water to begin dispensing. The water you draw and discard rinses the tank and pipes.

Allow several hours to chill a new tankful.

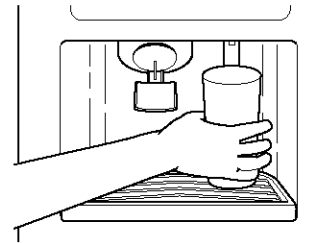
IMPORTANT: The small removable tray at the bottom of the dispenser is designed to catch small spills and allow for easy cleaning. There is no drain in the tray. The tray can be removed from the dispenser and carried to the sink to be emptied or cleaned.



To dispense water:

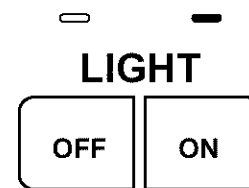
1. Press a glass against the water dispenser lever.
2. Remove the glass to stop dispensing.

NOTE: Dispense enough water every week to maintain a fresh supply.



The dispenser light

The dispenser area has a light. It can be turned on manually by pressing the “ON” button at the right hand side of the control panel. The red indicator above the “ON” button will appear. **On some models:** whenever you use the dispenser the lever will automatically turn the light on.

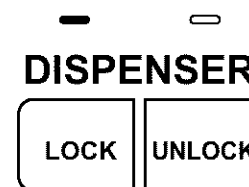


NOTE: See the “Changing the Light Bulbs” section for information on changing the dispenser light bulb.

On models without crushed ice, the light switch is a rocker-style type. Push the switch to turn the light on, and push again to turn the light off.

The dispenser lock (on some models)

Your dispenser can be turned off for easy cleaning or to prevent accidental dispensing by small children and pets. To turn off the dispenser, press the LOCK button. The indicator will appear above the LOCK button and the ice and water dispensers will not work. To unlock the dispenser, press the UNLOCK button until the indicator appears. Then continue to dispense ice or water as usual.



NOTE: The lock feature does not shut off power to the product, to the ice maker, or to the dispenser light. It simply deactivates the dispenser levers.

Water Filtration and Monitoring System (on some models)

The water filter status light

The water filter status light will help you know when to change your water filter cartridge. The light is located at the top of the refrigerator compartment. The light will change from green to yellow. This tells you that it is almost time to change the water filter cartridge (90% of the filter life has been used). It is recommended that you replace the water filter cartridge when the water filter status light changes to red OR water flow to your water dispenser or ice maker decreases noticeably. (See "Changing a water filter cartridge" later in this section.)

NOTE: Do not use with water that is microbiologically unsafe or of unknown quality without adequate disinfection before or after the system.

WATER FILTER STATUS

GREEN • FILTER IS OK
YELLOW • LOW FILTER LIFE
RED • REPLACE FILTER



RESET WATER FILTER STATUS
PRESS LIGHT SWITCH (5) TIMES

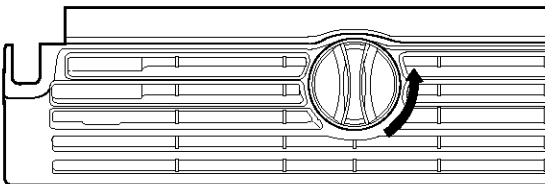
After changing the water filter cartridge, reset the water filter status light by pressing the light switch 5 times within 10 seconds. The status light will change from red to green when the system is reset.

Changing a water filter cartridge

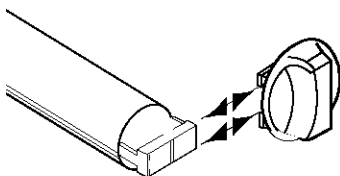
The water filter is located below the freezer compartment door.

1. Locate the water filter cartridge cap in the front base grille below the freezer compartment door. Rotate the cap counterclockwise to a vertical position and pull the cap and filter cartridge out through the base grille.

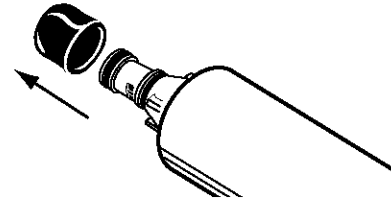
NOTE: There will be water in the cartridge. Some spilling may occur.



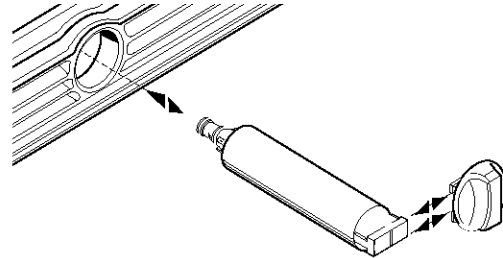
2. Remove the cartridge cap by sliding it off the end of the old cartridge. The cap will slide to the left or right. **DO NOT DISCARD THE CAP.**



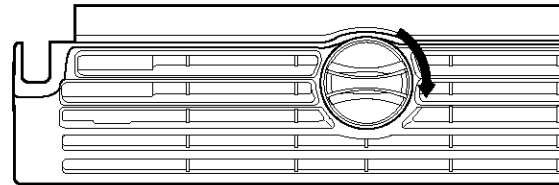
3. Take the new cartridge out of its packaging and remove protective cover from o-rings.



4. Slide the cartridge cap onto the new cartridge as shown.



5. With cartridge cap in the vertical position, push the new filter cartridge into the base grille until it stops. Rotate the cartridge cap clockwise to a horizontal position.



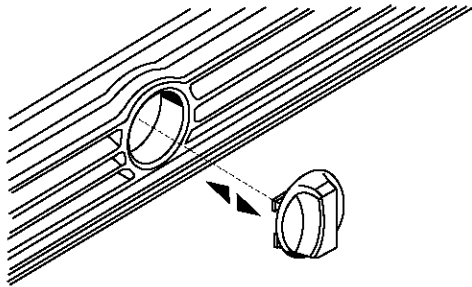
6. **RUN WATER THROUGH THE DISPENSER UNTIL THE WATER RUNS CLEAR** (about 2 to 3 gallons or 6 to 7 minutes). This will clean the system and clear air from the lines. Additional flushing may be required in some households.

NOTE: As air is cleared from the system, water may spurt out of the dispenser.

Using the dispenser without the water filter

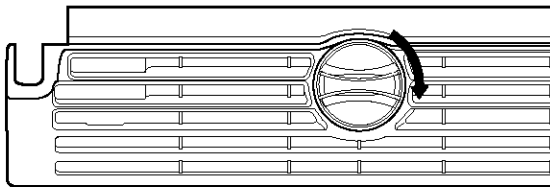
You can run the dispenser without a water filter cartridge. Your water will not be filtered. If you run the dispenser without a water filter cartridge, keep the cartridge cap and replace it in the base grille for future use.

1. Remove the water filter cartridge (See "Changing a water filter cartridge" earlier in this section.) Then slide the cartridge cap off the end of the filter cartridge. **DO NOT DISCARD THE CAP.**
2. With the cartridge cap in the vertical position, insert the cap into the base grille until it stops.



3. Rotate the cartridge cap to a horizontal position.

NOTE: The cartridge cap may not be even with the base grille.



Ordering replacement filters

To order more water filter cartridges, call 1-800-366-PART and ask for accessory Part #4392857.

Refrigerator Shelves

The shelves in your refrigerator are adjustable to meet your individual storage needs.

Storing similar food items together in your refrigerator and adjusting the shelves to fit different heights of items will make finding the exact item you want easier. It will also reduce the amount of time the refrigerator door is open, and save energy.

IMPORTANT: Do not clean glass shelves with warm water when they are cold. Shelves may break if exposed to sudden temperature changes or impact. For your protection tempered glass is designed to shatter into many small pebble-size pieces. This is normal.

NOTE: Glass shelves are heavy. Use special care when removing them to avoid impact from dropping.

To remove shelves from the shipping position (shelves are shipped upside down):

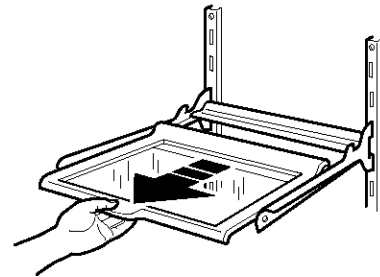
1. Grasp front of upper shelf with one hand and use other hand to remove packing material from shelf area.
2. Lower front of upper shelf until shelf hooks can be removed from slots in shelf supports on the back refrigerator wall. Pull shelf forward to remove.
3. Flip shelf over.
4. Insert rear shelf hooks into slots in shelf supports.
5. Tilt front of shelf up until rear hooks drop into slots.
6. Lower front of shelf. Check to make sure that shelf is securely in position.

Slide-out shelves (on some models)

Some shelves slide out, providing easier access to foods stored in back.

To slide out shelf, carefully pull front of shelf toward you.

To slide in shelf, push shelf in until it stops.



To remove a shelf from the metal frame:

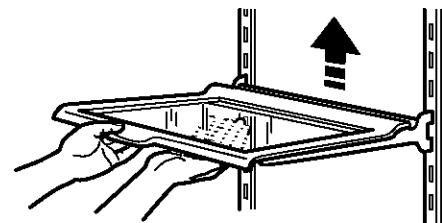
1. Pull shelf out to the stop.
2. Tilt front of the shelf up and pull it out a little further.
3. Lift up shelf so that it moves through the slot in the frame.

Replace the shelf in the reverse order.

Shelves and shelf frames

To remove a shelf/frame:

1. Tilt up front of the shelf/frame.
2. Pull shelf/frame.



To replace a shelf/frame:

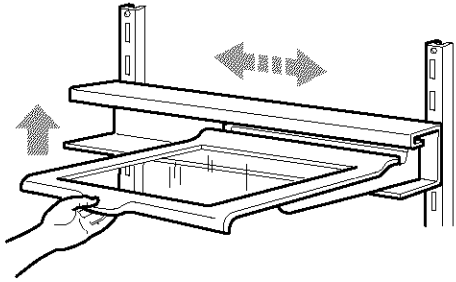
1. Guide the rear shelf hooks into the slots in the shelf supports on the back refrigerator wall.
2. Tilt up front of shelf/frame.
3. Lower the front of the shelf into position.

Lateral Shelf (on some models)

To slide the shelf from side to side:

1. Lift up on the front of shelf and slide to the desired location.
2. Lower shelf to the level position.

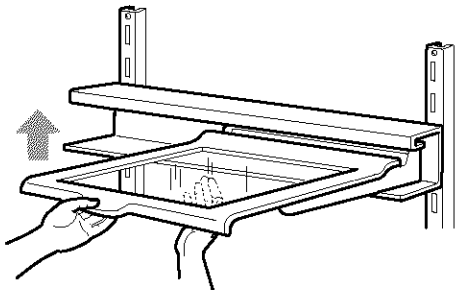
NOTE: You do not have to remove small items from the shelf before moving it from side to side. You may need to remove larger items.



To remove the shelf:

NOTE: The shelf is heavy and must be removed using both hands.

1. Remove all items from the shelf.
2. Hold the back of the shelf with one hand.
3. Lift the front of the shelf with the other hand to a 45° angle and lower it slightly to release it from the upper channel of the track.
4. Pull the shelf straight out.



To remove the shelf track:

1. Lift both sides of the track slightly.
2. Pull straight out.

To replace the shelf track:

1. Guide the track hooks into the shelf support slots on the back wall.

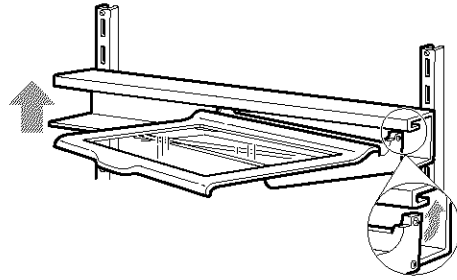
NOTE: Make sure that both sets of track hooks are in the slots and that the slots are parallel with each other.

2. Push the track back and down securely into the shelf supports.

To replace the shelf:

NOTE: Make sure that both of the rear shelf slides are securely in the track before letting go of the shelf. The lateral shelf may be difficult to install if the track is placed too close to the refrigerator ceiling. Reposition the track on a lower rung until the shelf can be tilted enough to easily slide into the track.

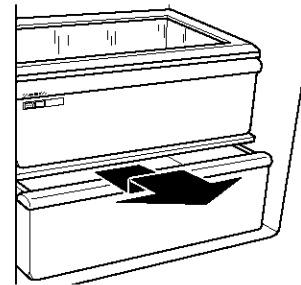
1. Hold the shelf at the front and tip the front at a 45° angle to the track.
2. Insert both of the rear shelf slides into the upper channel of the track.
3. Lower the front into place.



Convertible Vegetable/Meat Drawer and Cover

To remove the drawer:

1. Slide the drawer straight out to the stop.
2. Lift the front slightly and slide it out the rest of the way.
3. Replace the drawer by sliding it past the drawer stop.



To remove the cover:

1. Remove the drawer and the crisper.
2. Lift the front of the cover off of the supports and remove it by pulling up and out.

To replace the cover:

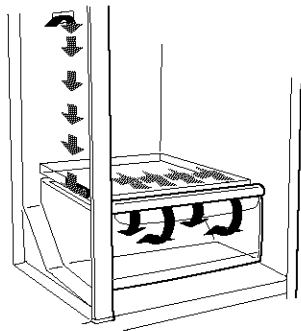
1. Fit the back of the cover into the notch supports on the walls of the refrigerator and lower it into place.
2. Replace the drawer and crisper.

Convertible Vegetable/Meat Drawer Temperature Control

The convertible vegetable/meat drawer can be adjusted to properly chill meats or vegetables. Unlike most chilled meat drawer systems, the Temperature Control cools the air inside the pan. (Most systems chill only the pan itself, which doesn't cool the air inside the pan evenly).

Chilling the air inside the pan provides more even cooling and reduces "spot" freezing. The Temperature Control can be set to keep meats at the recommended storage temperatures (28°F-32°F are the recommended storage temperatures from the National Livestock and Meat Board).

To store vegetables at their optimal storage temperatures (which need to be warmer than those for meat), set the control at the Vegetable setting, all the way to the left.



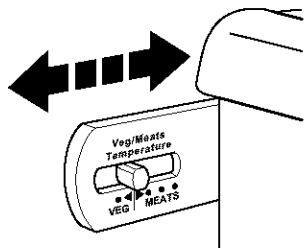
IMPORTANT: To extend freshness even more, remember to wrap meats in airtight, moisture-proof materials before storing. Always store meat as recommended by the National Livestock and Meat Board. See "Storing fresh food" in the "Food Storage Guide" section for more information.

Adjusting the control

The convertible control comes preset for you at the lowest meat setting. Move it to the mid-setting or "colder" as desired.

To change a control setting: move the control to the right (colder) or to the left (less cold).

To store vegetables: move the control all the way to the left to the **VEG** setting.



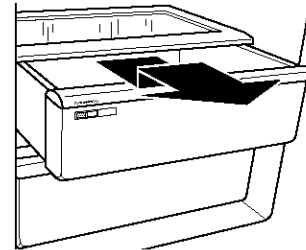
IMPORTANT: If food starts to freeze, move the control to the left (less cold). Remember to wait 24 hours between adjustments. Doing so gives the temperature of the food time to change.

Crisper and Crisper Cover

To remove the crisper:

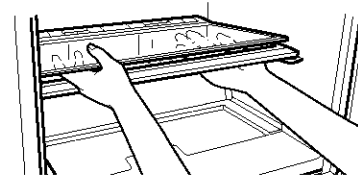
1. Slide crisper straight out to the stop.
2. Lift the front.
3. Slide crisper out the rest of the way.

Replace the crisper by sliding it back in fully past the drawer stop.



To remove the crisper cover:

1. Remove crisper.
2. Holding glass insert firmly, grasp one side of crisper cover and lift the other side up from the bottom.
3. Slide the glass insert out to remove.
4. Lift cover frame up and remove.



To replace the crisper cover:

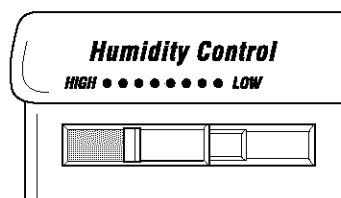
1. Fit back of cover frame into supports on side walls of the refrigerator.
2. Lower front of the cover frame into place.
3. Slide rear of glass insert into cover frame and lower front into place.

Crisper Humidity Control

(on some models)

You can control the amount of humidity in the moisture-sealed crisper. Adjust the control to any setting between LOW and HIGH.

- LOW (open) lets moist air out of the crisper for best storage of fruits and vegetables with skins.
- HIGH (closed) keeps moist air in the crisper for best storage of fresh, leafy vegetables.



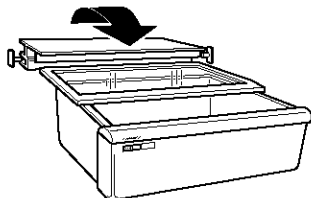
Crisper Cover Extension

(on some models)

In order to prevent food items from falling behind your crisper, some models have a crisper cover extension that covers the gap between the back wall and the back side of the crisper. You may want to remove the extension when cleaning.

To remove the crisper cover extension:

1. Lift up on the front of the extension.
2. Pull it off of the supports.



To replace the crisper cover extension:

1. Fit it back onto the supports on the side walls.
2. Rest the front of the extension on the crisper cover.

Deli Drawer

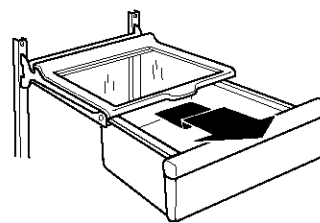
(on some models)

The deli drawer provides a convenient place to store raisins, nuts, spreads, and other small items at normal refrigerator temperatures.

To remove the deli drawer:

1. Slide the deli drawer straight out to the stop.
2. Lift the front and slide the drawer out the rest of the way.

Replace the deli drawer by sliding it back in fully past the drawer stop.



Door Rails

The door rails may be removed for easier cleaning.

Snap-on Door Rails

To remove the rails:

1. Remove all items from the shelf.
2. Push in slightly on the front of the bracket while pulling out on the inside tab.
3. Repeat these steps for the other end of the rail.



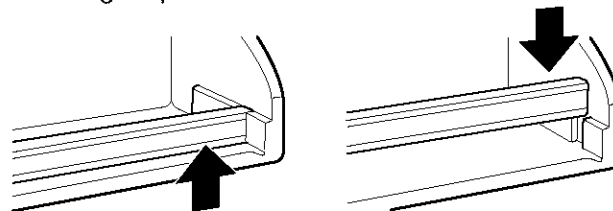
To replace the rails:

1. Line up the ends of the brackets with the buttons on the sides of the door liner.
2. Firmly snap bracket and rail assembly onto the tabs above the shelf as shown.

Drop-in Door Rails

To remove the rails:

1. Remove all items from the shelf.
2. Pull straight up on each end of the rail.



To replace the rails:

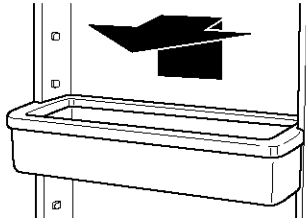
1. Slide the shelf rail into the slots on the door.
2. Push the rail straight down until it stops.

Door Bins

(on some models)

The door bins are removable for easy cleaning and adjusting.

1. **To remove the bin**, simply lift the bin up and pull straight out.
2. **To replace the bin**, slide it in above the desired support button and push down until it stops.



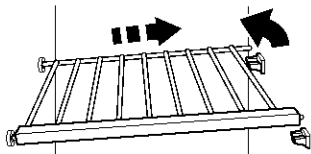
Freezer Shelf

(number varies with model)

To remove the shelf:

1. Lift the shelf off of the supports.
2. Slide it out of the shelf support holes.

Replace shelf in the reverse order.



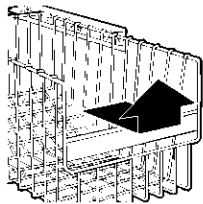
Freezer Basket

(plastic bin on some models)

The freezer basket can be used to store bags of frozen fruits and vegetables that may slide off freezer shelves.

To remove the freezer basket:

1. Slide it out to the stop.
2. Lift the front and slide it out the rest of the way.



To replace the basket:

1. Position it on the slides, making sure that the wire stops are clear of the front of the slides.
2. Slide it back in all the way.

CARING FOR YOUR REFRIGERATOR

Cleaning Your Refrigerator

⚠ WARNING



Explosion Hazard

Use nonflammable cleaner.

Failure to do so can result in death, explosion, or fire.

Both the refrigerator and freezer sections defrost automatically. However, clean both sections about once a month to prevent odors from building up. Wipe up spills immediately.

Energy Saving Tip:

Clean the condenser coils regularly, as described in the cleaning chart in this section. A coil cleaning brush is available for purchase. Call 1-800-366-PART and ask for Part Number 4210463.

To clean your refrigerator:

- Unplug refrigerator or disconnect power.
- Remove all removable parts from inside, such as shelves, crispers, etc.
- Use a clean sponge or soft cloth and a mild detergent in warm water. Do not use abrasive or harsh cleaners.
- Hand wash, rinse, and dry all surfaces thoroughly.
- Plug in refrigerator or reconnect power.

■ **Additional cleaning tips are listed below:**

| PART | COMMENTS |
|--|---|
| Outside | <ul style="list-style-type: none"> Waxing external painted metal surfaces helps provide rust protection. Do not wax plastic parts. Wax painted metal surfaces at least twice a year using appliance wax (or auto paste wax). Apply wax with a clean, soft cloth. |
| Inside walls (allow freezer to warm up so cloth won't stick) | <ul style="list-style-type: none"> To help remove odors, you can wash with a mixture of warm water and baking soda (2 tbs to 1 qt [26 g to .95 L] of water). |
| Door liners and gaskets | <ul style="list-style-type: none"> Do not use cleaning waxes, concentrated detergents, bleaches, or cleaners containing petroleum on plastic parts. |
| Plastic parts (covers and panels) | <ul style="list-style-type: none"> Do not use paper towels, window sprays, scouring cleansers or flammable fluids. These can scratch or damage material. |
| Condenser coils | <ul style="list-style-type: none"> Remove base grille. (See the "Base Grille" section.) Use a vacuum with an extended attachment to clean condenser coils. Vacuum coils when dusty or dirty. Coils may need to be cleaned as often as every other month. Replace base grille. |

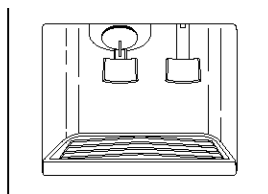
Changing the Light Bulbs

NOTE: Not all appliance bulbs will fit your refrigerator. Be sure to replace the bulb with one of the same size and shape.

Refrigerator light bulbs

Dispenser area light (on some models):

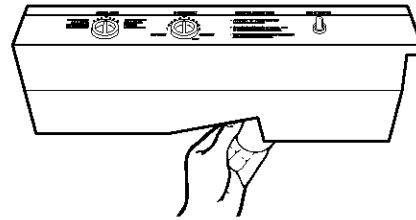
1. Unplug refrigerator or disconnect power.
2. Reach through the dispenser area to remove the bulb.



3. Replace the bulb with a heavy-duty 10-watt bulb, which can be purchased from your dealer.
4. Plug in refrigerator or reconnect power.

Light behind control panel:

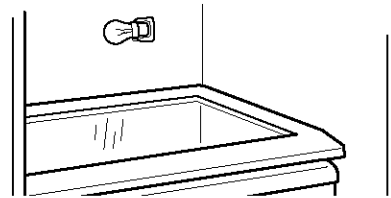
1. Unplug refrigerator or disconnect power.
2. Reach behind the Control Panel and remove the bulb.
3. Replace the bulb with a 40-watt appliance bulb.



4. Plug in refrigerator or reconnect power.

Crisper light (on some models):

1. Unplug refrigerator or disconnect power.
2. Pull the top of the light shield forward until it snaps free and lower it until the light bulb is visible.
3. Replace the bulb with a 40-watt appliance bulb.



4. Pull the top of the light shield up over the bulb and snap it onto the side wall supports.
5. Plug in refrigerator or reconnect power.

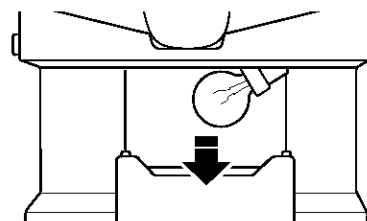
To remove light shield for cleaning:

1. Remove the crisper and the crisper cover.
2. Release the bottom of the shield from the lower side wall supports.
3. Pull the light shield out from above the crisper cover and wash it with warm water and a liquid detergent.
4. Rinse and dry the cover.
5. Push the light shield up over the bulb and snap it into the side wall supports.

Freezer light bulbs

Light below the ice bin:

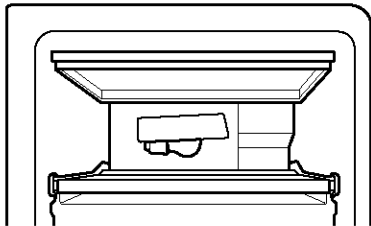
1. Unplug refrigerator or disconnect power.
2. Push in the sides of the light shield and pull down until the shield snaps free.



3. Replace the bulb with a 40-watt appliance bulb.
4. Replace the light shield.
5. Plug in refrigerator or reconnect power.

Upper freezer light (on some models):

1. Unplug refrigerator or disconnect power.
2. Remove the light shield by grasping the top center of the shield and pulling forward while turning it slightly to one side.
3. Replace the bulb with a 40-watt appliance bulb.



4. Replace the light shield by grasping the top center of the shield and inserting the tabs on one end into the slotted holes in the freezer liner. Then, carefully bend the shield at the center to insert the tabs on the other end.
5. Plug in refrigerator or reconnect power.

Power Interruptions

If the electricity in your house goes off, call the power company and ask how long it will be off.

1. If the power will be out for **24 hours or less**, keep both **refrigerator doors closed** to help foods stay cold and frozen.
2. If the power will be out for **more than 24 hours**:
 - a) Remove all frozen food and store it in a frozen food locker.

OR

 - b) Place 2 lb. (907 g) of dry ice in the freezer for every cubic foot (28 liters) of freezer space. This will keep the food frozen for two to four days. While handling dry ice, wear gloves to protect your hands from ice burns.

OR

 - c) If neither a food locker nor dry ice is available, consume up or can perishable food at once.

REMEMBER: A full freezer stays cold longer than a partially filled one. A freezer full of meat stays cold longer than a freezer full of baked goods. If you see that food contains ice crystals, it may be safely refrozen, although the quality and flavor may be affected. If the condition of the food is poor, or if you feel it is unsafe, dispose of it.

Vacation and Moving Care

Vacations

If you choose to leave the refrigerator on while you're away, use these steps to prepare your refrigerator before you leave.

1. Use up any perishables and freeze other items.
2. If your refrigerator has an automatic ice maker:
 - Raise ice maker arm to OFF (up) position.
 - Shut off water supply to the ice maker.
3. Empty the ice bin.

If you choose to turn the refrigerator off before you leave, follow these steps.

1. Remove all food from the refrigerator.
2. If your refrigerator has an automatic ice maker:
 - Turn off the water supply to the ice maker at least one day ahead of time.
 - When the last load of ice drops, raise the ice maker arm to the OFF (up) position.
3. Depending on your model, turn the Thermostat Control (or Refrigerator Control, depending on the model) to OFF. See the "Setting the Controls" section.
4. Clean refrigerator, wipe it, and dry well.
5. Tape rubber or wood blocks to the tops of both doors to prop them open far enough for air to get in. This stops odor and mold from building up.

Moving

When you are moving your refrigerator to a new home, follow these steps to prepare it for the move.

1. If your refrigerator has an automatic ice maker:
 - Turn off the water supply to the ice maker at least one day ahead of time.
 - Disconnect the water line from the back of the refrigerator.
 - When the last load of ice drops, raise the ice maker arm to the OFF (up) position.
2. Remove all food from the refrigerator and pack all frozen food in dry ice.
3. Depending on your model, turn the Thermostat Control (or Refrigerator Control, depending on the model) to OFF. See the "Setting the Controls" section.
4. Unplug the refrigerator.
5. Empty water from the defrost pan.

6. Clean, wipe, and dry thoroughly.
7. Take out all removable parts, wrap them well, and tape them together so they don't shift and rattle during the move.
8. Depending on the model, raise the front of the refrigerator so it rolls easier OR screw in the leveling legs so they don't scrape the floor. See the "Door Closing" section.
9. Tape the doors shut and the power cord to the refrigerator cabinet.

When you get to your new home, put everything back and refer to the "Installing Your Refrigerator" section for preparation instructions. Also, if your refrigerator has an automatic ice maker, remember to reconnect the water supply to the refrigerator.

TROUBLESHOOTING

Try the solutions suggested here first in order to avoid the cost of an unnecessary service call.

Your refrigerator will not operate

- **The power supply cord is unplugged.**
Firmly plug the cord into a live outlet with proper voltage.
- **A household fuse or circuit breaker has tripped.**
Replace the fuse or reset the circuit.
- **The refrigerator control is turned to the "OFF" position.**
Refer to the "Setting the Controls" section.
- **The refrigerator is defrosting.**
Recheck to see if the refrigerator is operating in 30 minutes. Your refrigerator will regularly run an automatic defrost cycle.

The lights do not work

- **The power supply cord is unplugged.**
Firmly plug the cord into a live outlet with proper voltage.
- **A light bulb is loose in the socket.**
Turn the refrigerator control to "OFF". Disconnect the refrigerator from the electrical supply. Gently remove the bulb and reinsert. Then reconnect the refrigerator to the electrical supply and reset the refrigerator control.
- **A light bulb has burned out.**
Replace with an appliance bulb of the same wattage, size, and shape. See the "Changing the Light Bulbs" section.

There is water in the defrost drain pan

- **The refrigerator is defrosting.**
The water will evaporate. It is normal for water to drip into the defrost pan.
- **It is more humid than normal.**
Expect that the water in the defrost pan will take longer to evaporate. This is normal when it is hot or humid.

The motor seems to run too much

- **The room temperature is hotter than normal.**
Expect the motor to run longer under warm conditions. At normal room temperatures, expect your motor to run about 40% to 80% of the time. Under warmer conditions, expect it to run even more of the time.
- **A large amount of food has just been added to the refrigerator.**
Adding a large amount of food warms the refrigerator. It is normal for the motor to run longer in order to cool the refrigerator back down. See the "Food Storage Guide" section.

- **The door is opened often.**
Expect the motor to run longer when this occurs. In order to conserve energy, try to get everything you need out of the refrigerator at once, keep food organized so it is easy to find, and close the door as soon as the food is removed.
 - **The controls are not set correctly for the surrounding conditions.**
Refer to the "Setting the Controls" section.
 - **The doors are not closed completely.**
Push the doors firmly shut. If they will not shut all the way, see "The doors will not close completely" later in this section.
 - **The condenser coils are dirty.**
This prevents air transfer and makes the motor work harder. Clean the condenser coils. Refer to the "Cleaning Your Refrigerator" section.
 - **The door gaskets are not sealed all the way around.**
Contact a qualified person or a technician.
- NOTE:** If the problem is not due to any of the above, remember that your new refrigerator will run longer than your old one due to its high efficiency motor.

The refrigerator seems to make too much noise

- **The sounds may be normal for your refrigerator.**
Refer to the "Understanding Sounds You May Hear" section.

The ice maker is not producing ice

- **The freezer temperature is not cold enough to produce ice.**
Wait 24 hours after ice maker hook-up for ice production. Refer to the "Setting the Controls" section.
 - **The ice maker arm is in the "OFF" (arm up) position.**
Lower arm to the "ON" (arm down) position. See the "Ice Maker Operation" section.
 - **The water line shut-off valve to the refrigerator is not turned on.**
Turn on the water valve. See the "Connecting the Refrigerator to a Water Source" section.
 - **An ice cube is jammed in the ejector arm.**
Remove the ice from the ejector arm with a plastic utensil. Refer to the "Ice Maker Operation" section.
 - **The ice maker mold has no water in it or no ice has been produced.**
Check to see if your refrigerator has been connected to your home water supply and the supply shut-off valve is turned on. Refer to the "Connecting the Refrigerator to a Water Source" section.
- NOTE:** If not due to any of the above, there may be a problem with the water line. Call for service.

The ice maker is producing too little ice

- **The ice maker has just been installed.**
Wait 72 hours for full ice production to begin. Once your refrigerator is cooled down, the ice maker should begin producing 70-120 cubes every 24 hours.
- **A large amount of ice has just been removed.**
Allow 24 hours for ice maker to produce more ice.
- **The controls are not set correctly.**
Refer to the "Setting the Controls" section.
- **The water shut-off valve is not turned completely on.**
Turn valve on fully. Refer to the "Connecting the Refrigerator to a Water Source" section.
- **There is a water filter installed on the refrigerator. This filter may be clogged or installed incorrectly.**
First, check the filter installation instructions to ensure that the filter was installed correctly and is not clogged. If installation or clogging is not a problem, call a qualified person or a technician.

Off-taste, odor or grey color in the ice

- **The plumbing connections are new, causing discolored or off-flavored ice.**
Discard the first few batches of ice.
- **The ice cubes have been stored for too long.**
Throw old ice away and make a new supply.
- **Food in the freezer or refrigerator has not been wrapped properly.**
Refer to the "Food Storage Guide" section.
- **Freezer and ice bin need to be cleaned.**
See the "Cleaning Your Refrigerator" section.
- **Water contains minerals (such as sulfur).**
A filter may need to be installed to remove the minerals.
- **There is a water filter installed on the refrigerator. Grey or dark discoloration in ice indicates that the water filtration system needs additional flushing.**
Run additional water through the water dispenser to flush the water filtration system more thoroughly (at least 2-3 gallons or 6-7 minutes initially). Discard discolored ice.

The ice dispenser will not operate properly

- **The freezer door is not closed completely.**
Push the door firmly shut. If it will not shut all the way, see "The doors will not close completely" later in this section.
- **The ice bin is not installed correctly.**
Push the ice bin in all the way. If the ice bin does not go in all the way, it may not be put in straight. Pull it out and try again.

- **The wrong ice has been added to the bin.**
Use only cubes produced by the current ice maker. If other cubes have been added, remove all cubes and check to see that none have become stuck in the delivery chute.
- **The ice has frozen in the ice bin.**
Shake the ice bin to separate cubes. If cubes do not separate, empty bin and wait 24 hours for ice to restock.
- **The ice has melted around the auger (metal spiral) in the ice bucket.**
Dump the ice cubes and clean the ice bucket completely. Allow 24 hours for the ice maker to restock. Do not try to remove the melted ice with a sharp object. You could damage the ice bucket.
- **Ice is stuck in the delivery chute.**
Clear the ice from the delivery chute with a plastic utensil. Do not use anything sharp to remove the ice. You could cause damage.
- **There is no ice in the bucket.**
See "The ice maker is not producing ice" earlier in this section.
- **The dispenser arm has been held in too long.**
Release dispenser arm. Ice will stop dispensing when the arm is held in too long. Wait three minutes for dispenser motor to reset before using again. (For future use, take large amounts of ice directly from the ice maker so that the dispenser arm is not held in too long.)

The water dispenser will not operate properly

- **The freezer door is not closed completely.**
Push the door firmly shut. If it will not shut all the way, see "The doors will not close completely" later in this section.
- **The water tank has not filled.**
The water tank needs to be filled the first time it is used. Depress the water dispenser bar with a large container until you draw two or three quarts (1.9 to 2.8 L) of water. Discard water. (Refer to the "Water and Ice Dispensers" section for further instructions on filling the water tank.)
- **The water shut-off valve is not turned on or the water line is not connected at the source.**
Check to be sure the water shut-off valve is turned on and the water source is connected to the refrigerator. Refer to the "Connecting the Refrigerator to a Water Source" section for directions.
- **The water shut-off valve is clogged or incorrectly installed.**
Refer to the "Connecting the Refrigerator to a Water Source" section. If clogging or installation is not a problem, call for service or a contact a plumber.
- **There is a kink in the home water source line.**
If you find or suspect a kink in the water line, call for service.
- **There is a water filter installed on the refrigerator. This filter may be clogged or incorrectly installed.**
First, check the filter installation instructions to ensure that the filter was installed correctly and is not clogged. If installation or clogging is not a problem, call for service.

Water or ice is leaking from the dispenser

- **The glass is not being held under the ice dispenser long enough, causing the ice to spill.**
Hold the container under the ice chute for two to three seconds after releasing the dispenser lever. A small amount of ice may dispense after the lever is released.
- **The glass is not being held under the water dispenser long enough, causing water to drip.**
Hold the container under the water dispenser two to three seconds after releasing the dispenser lever. Water may continue to dispense during this time.
- **An ice cube is stuck in the chute and holding the trap door open.**
Remove the cube.
- **There is a water filter installed on the refrigerator. The water filtration system may have air in the lines, causing water to drip.**
Additional flushing may help clear air from the lines. Normal dispenser use should flush air from the lines within 24-72 hours.

The dispenser water is not cool enough

- **The refrigerator has been newly installed.**
Allow 24 hours for the tank to cool completely.
- **A large amount of water has been recently dispensed.**
Allow 24 hours for the tank to cool completely.
- **No water has been recently dispensed.**
The first glass of water may not be cool. Discard the first glass of water.

The divider between the two compartments is warm

- The warmth is probably due to normal operation of the automatic exterior moisture control. If still concerned, call for service.

Temperature is too warm

- **The air vents are blocked in either compartment. This prevents the movement of cold air from the freezer to the refrigerator.**
Remove any objects from in front of the air vents. Refer to the “Ensuring Proper Air Circulation” section for the location of air vents.
- **The door(s) are opened often.**
Be aware that the refrigerator will warm when this occurs. In order to keep the refrigerator cool, try to get everything you need out of the refrigerator at once, keep food organized so it is easy to find, and close the door as soon as the food is removed.
- **A large amount of food has just been added to the refrigerator or freezer.**
Adding a large amount of food warms the refrigerator. It can take several hours for the refrigerator to return to the normal temperature.
- **The controls are not set correctly for the surrounding conditions.**
Refer to the “Setting the Controls” section.

There is interior moisture build-up

- **The air vents are blocked in the refrigerator.**
Remove any objects from in front of the air vents. Refer to the “Ensuring Proper Air Circulation” section for the location of air vents.
- **The door is opened often.**
To avoid humidity build-up, try to get everything you need out of the refrigerator at once, keep food organized so it is easy to find, and close the door as soon as the food is removed. (When the door is opened, humidity from the room air enters the refrigerator. The more often the door is opened, the faster humidity builds up, especially when the room itself is very humid.)
- **The room is humid.**
It is normal for moisture to build up inside the refrigerator when the room air is humid.
- **The food is not packaged correctly.**
Check that all food is securely wrapped. If necessary, repackage food according to the guidelines in the “Food Storage Guide” section. Wipe off damp food containers before placing in the refrigerator.
- **The controls are not set correctly for the surrounding conditions.**
Refer to the “Setting the Controls” section.
- **A self-defrost cycle was completed.**
It is normal for droplets to form on the back wall after the refrigerator self-defrosts.

The doors will not close completely

- **Food packages are blocking the door open.**
Rearrange containers so that they fit more tightly and take up less space.
- **The ice bin is out of position.**
Push the ice bin in all the way.
- **The pans, shelves, bins, or baskets are out of position.**
Put the crisper cover and all pans, shelves, bins, and baskets back into their correct position. See the “Crisper and Crisper Cover” section for more information.
- **The gaskets are sticking.**
Clean gaskets and then apply paraffin wax according to the directions in the “Cleaning Your Refrigerator” section.
- **The refrigerator wobbles or seems unstable.**
Level the refrigerator. Refer to the “Door Closing and Alignment” section.
- **The doors were removed during product installation and not properly replaced.**
Remove and replace the doors according to the “Removing the Doors” section, or call a qualified service technician.

The doors are difficult to open

- **The gaskets are dirty or sticky.**
Clean gaskets according to the directions in the “Cleaning Your Refrigerator” section. The gaskets are dirty or sticky.

Water flow from the dispenser decreases noticeably

- **There is a water filter installed on the refrigerator. This filter may be full or incorrectly installed.**
Remove the water filter cartridge (see the “Water Filtration System” section.) Operate the dispenser. If the water flow increases noticeably, your filter is full and needs to be replaced.

SEARS MAINTENANCE AGREEMENT

“We Service What We Sell” is our assurance to you that you can depend on Sears for service. Your Kenmore appliance has added value when you consider that Sears has service units nationwide, staffed with professional technicians trained on all appliances Sears sells. They have the knowledge and skills, tools, parts and equipment to ensure our pledge to you that “We Service What We Sell.”

Sears Maintenance Agreement

Maintain the value of your purchase with a Sears Maintenance Agreement. Kenmore appliances are designed, manufactured, and tested for years of dependable operation. Yet any home appliance may require service from time to time. The Sears Maintenance Agreement offers you an outstanding service program for your product.

The Sears Maintenance Agreement

- Is your way to buy tomorrow's service at today's prices.
- Eliminates repair bills resulting from normal use.
- Allows for as many service calls as you need.
- Provides an annual Preventive Maintenance Check at your request to keep your Kenmore Appliance in proper running condition.

For more information, call 1-800-827-6655.

WATER FILTER CERTIFICATIONS

State of California
Department of Health Services
Water Treatment Device
Certificate Number

98 - 1343

Date Issued: June 9, 1998

Trademark/Model Designation

WF-L500

Replacement Elements

L500

Manufacturer: Whirlpool Corp.

The water treatment device(s) listed on this certificate have met the testing requirements pursuant to Section 116830 of the Health and Safety Code for the following health related contaminants:

Microbiological Contaminants and Turbidity

None

Inorganic/Radiological Contaminants

Lead

Organic Contaminants

None

Rated Service Capacity: 500 gallons

Rated Service Flow: 0.5 gpm

Do not use with water that is microbiologically unsafe or of unknown quality, without adequate disinfection before or after the system.

Product Data Sheet

Water Filtration System Model NLC-250



This product has been tested and certified by NSF International under ANSI/NSF Standard 42 for Taste, Odor and Chlorine reduction (Class I) and Particulate reduction (Class I) and under Standard 53 for Cyst, Turbidity, and Lead reduction.

Specifications: Lead, Particulate (Class I), Cyst, Turbidity and Taste/Odor/Chlorine reduction (Class I)
250 Gallons (946 Liters)
 Service Flow Rate 0.5 GPM (1.89 L/min) @ 60 psi

| Substance Reduction Aesthetic Effects | Average Influent | Maximum Effluent | Average Effluent | Minimum % Reduction | Average % Reduction | NSF Test Requirement |
|---------------------------------------|-------------------------|------------------|------------------|---------------------|---------------------|---------------------------------|
| Chlorine | 1.9 mg/L | N/A | 0.04 mg/L | N/A | 97.9% | minimum 75% reduction (Class I) |
| Particulate | 610,000/mL [†] | N/A | 154/mL | N/A | 99.97% | minimum 85% reduction (Class I) |

| Substance Reduction Health Effects | U.S. EPA MCL | Average Influent | Maximum Effluent | Average Effluent | Minimum % Reduction | Average % Reduction | NSF Test Requirement |
|------------------------------------|--------------|-------------------------|------------------|------------------|---------------------|---------------------|-----------------------------|
| Cyst | 99.95% | 89,250/mL [†] | 6/mL | 2.3/mL | 99.993% | 99.997% | minimum 99.95% reduction |
| Turbidity | 0.5 NTU | 29 NTU | 0.12 NTU | 0.09 NTU | 99.59% | 99.69% | maximum effluent 1.0 NTU |
| Lead @ pH 6.5 | 0.015 mg/L | 0.16 mg/L ^{††} | 0.001mg/L | 0.001mg/L | 99.4% | 99.4% | maximum effluent 0.015 mg/L |
| Lead @ pH 8.5 | 0.015 mg/L | 0.16 mg/L ^{††} | 0.002mg/L | 0.001mg/L | 98.8% | 99.4% | maximum effluent 0.015 mg/L |

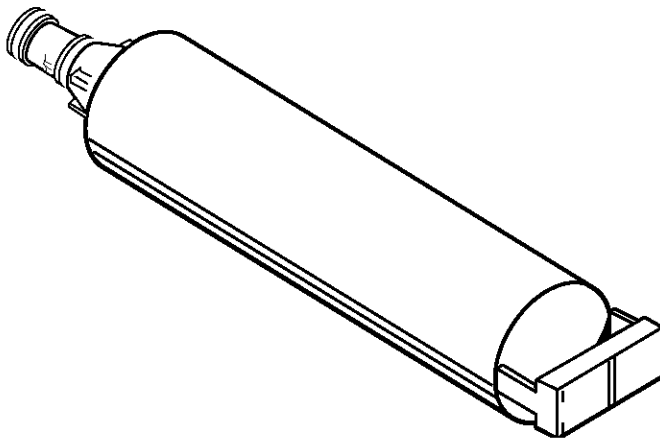
[†] Test requirement is at least 10,000 particles/mL of AC Fine Test Dust. ^{††} Test requirement is 0.15 mg/L ±10%.

These contaminants are not necessarily in your water supply. Performance may vary based on local water conditions.

Application Guidelines/ Water Supply Parameters

| | |
|-------------------|--------------------------|
| Water Supply | City or Well |
| Water Pressure | 30-120 psi (207-827 kPa) |
| Water Temperature | 33°-100°F (0.6°-37.8°C) |

- It is essential that operational, maintenance, and filter replacement requirements be carried out for this product to perform as advertised.
- Change cartridge at least every 6-9 months. Use replacement cartridge part #NLC-250 or #4392922. Suggested retail price of \$39.95 U.S.A./\$49.95 Canada.
- The product is for cold water use only.
- Do not use with water that is microbiologically unsafe or of unknown quality without adequate disinfection before or after the system. Systems certified for cyst reduction may be used on disinfected water that may contain filterable cysts.



® NSF is a registered trademark of NSF International

ENGLISH

Product Data Sheet

Water Filtration System Model LC-400



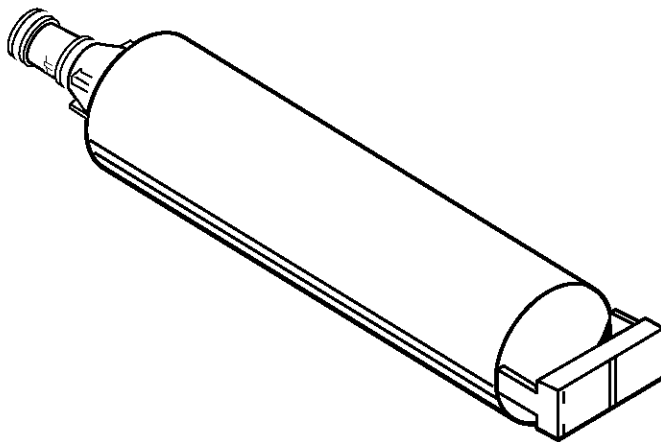
This product has been tested and certified by NSF International under ANSI/NSF Standard 42 for Taste, Odor and Chlorine reduction (Class I) and Particulate reduction (Class I) and under Standard 53 for Cyst, Turbidity, and Lead reduction.

Specifications: Lead, Particulate (Class I), Cyst, Turbidity and Taste/Odor/Chlorine reduction (Class I)
400 Gallons (1514 Liters)
 Service Flow Rate 0.5 GPM (1.89 L/min) @ 60 psi

| Substance Reduction | Average Influent | Maximum Effluent | Average Effluent | Minimum % Reduction | Average % Reduction | NSF Test Requirement |
|---------------------|-------------------------|------------------|------------------|---------------------|---------------------|---------------------------------|
| Aesthetic Effects | | | | | | |
| Chlorine | 2.0 mg/L | N/A | 0.04 mg/L | N/A | 98% | minimum 75% reduction (Class I) |
| Particulate | 610,000/mL [†] | N/A | 154/mL | N/A | 99% | minimum 85% reduction (Class I) |

| Substance Reduction | U.S. EPA MCL | Average Influent | Maximum Effluent | Average Effluent | Minimum % Reduction | Average % Reduction | NSF Test Requirement |
|---------------------|--------------|-------------------------|------------------|------------------|---------------------|---------------------|-----------------------------|
| Health Effects | | | | | | | |
| Cyst | 99.95% | 89,250/mL [†] | 6/mL | 2.3/mL | 99.993% | 99.997% | minimum 99.95% reduction |
| Turbidity | 0.5 NTU | 29 NTU | 0.12 NTU | 0.09 NTU | 99.59% | 99.69% | maximum effluent 1.0 NTU |
| Lead @ pH 6.5 | 0.015 mg/L | 0.16 mg/L ^{††} | 0.001mg/L | 0.001mg/L | 99.4% | 99.4% | maximum effluent 0.015 mg/L |
| Lead @ pH 8.5 | 0.015 mg/L | 0.16 mg/L ^{††} | 0.002 mg/L | 0.001mg/L | 98.8% | 99.4% | maximum effluent 0.015 mg/L |

[†] Test requirement is at least 10,000 particles/mL of AC Fine Test Dust. ^{††} Test requirement is 0.15 mg/L ±10%.
 These contaminants are not necessarily in your water supply. Performance may vary based on local water conditions.



Application Guidelines/ Water Supply Parameters

| | |
|-------------------|--------------------------|
| Water Supply | City or Well |
| Water Pressure | 30-120 psi (207-827 kPa) |
| Water Temperature | 33°-100°F (0.6°-37.8°C) |

- It is essential that operational, maintenance, and filter replacement requirements be carried out for this product to perform as advertised.
- The filter monitor system measures the amount of water that passes through the filter and alerts you to replace the filter. When 90% of the filter's rated life is used, the filter indicator light changes from green to yellow. When 100% of the filter's rated life is used, the filter indicator light changes from yellow to red, and it is recommended that you replace the filter. Use replacement cartridge part #LC-400 or #4392922. Suggested retail price of \$39.95 U.S.A./\$49.95 Canada.
- The product is for cold water use only.
- Do not use with water that is microbiologically unsafe or of unknown quality without adequate disinfection before or after the system. Systems certified for cyst reduction may be used on disinfected water that may contain filterable cysts.

® NSF is a registered trademark of NSF International

Product Data Sheet

Water Filtration System Model WF-L500

NSF This product has been tested and certified by NSF International under ANSI/NSF Standard 42 for Chlorine reduction (Class I), Taste and Odor reduction and to Standard 53 for Lead reduction.

Specifications: Lead and Taste/Odor/Chlorine reduction (Class I) capacity
500 Gallons (1893 Liters)
 Service Flow Rate 0.5 GPM (1.89 L/min) @ 60 psi

| General Performance | Average Influent | Maximum Effluent | Average Effluent | Minimum % Reduction | Average % Reduction | NSF Test Requirement |
|---------------------|------------------|------------------|------------------|---------------------|---------------------|---------------------------------|
| Chlorine | 2.0 mg/L | N/A | 0.1 mg/L | N/A | 95% | minimum 75% reduction (Class I) |

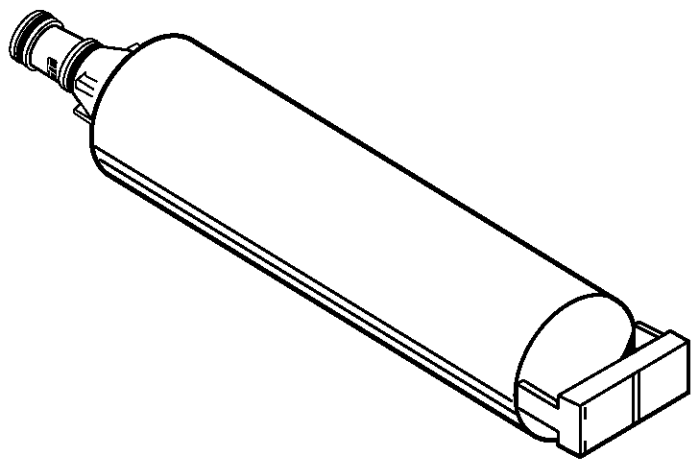
| Contaminant Reduction Performance ^{††} | U.S. EPA MCL | Average Influent | Maximum Effluent | Average Effluent | Minimum % Reduction | Average % Reduction | NSF Test Requirement |
|---|-------------------------|------------------------|------------------|------------------|---------------------|---------------------|-----------------------------|
| Lead @ pH 6.5 | 0.015 mg/L [†] | 0.16 mg/L [†] | 0.007 mg/L | 0.005 mg/L | 95.6% | 96.8% | maximum effluent 0.015 mg/L |
| Lead @ pH 8.5 | 0.015 mg/L [†] | 0.14 mg/L [†] | 0.012 mg/L | 0.008 mg/L | 91.4% | 94.3% | maximum effluent 0.015 mg/L |

[†] Test requirement is 0.15 mg/L ± 10% ^{††} These contaminants are not necessarily in your water supply. Performance may vary based on local water conditions.

Application Guidelines/ Water Supply Parameters

| | |
|-------------------|--------------------------|
| Water Supply | City or Well |
| Water Pressure | 30-120 psi (207-827 kPa) |
| Water Temperature | 33°-100°F (0.6°-37.8°C) |

- It is essential that operational, maintenance, and filter replacement requirements be carried out for this product to perform as advertised.
- The filter monitor system measures the amount of water that passes through the filter and alerts you to replace the filter. When 90% of the filter's rated life is used, the filter indicator light changes from green to yellow. When 100% of the filter's rated life is used, the filter indicator light changes from yellow to red, and it is recommended that you replace the filter. Use replacement cartridge part WF-L500 or #4392857. Suggested retail price of \$29.95 U.S.A/\$39.95 Canada.
- The product is for cold water use only.
- Do not use with water that is microbiologically unsafe or of unknown quality without adequate disinfection before or after the system.



® NSF is a registered trademark of NSF International

ENGLISH

ÍNDICE

| | |
|--|----|
| GARANTÍA | 32 |
| SEGURIDAD DEL REFRIGERADOR | 33 |
| PARTES Y CARACTERÍSTICAS | 34 |
| CÓMO INSTALAR SU REFRIGERADOR | 35 |
| Cómo desempacar su refrigerador | 35 |
| Requerimientos de espacio..... | 35 |
| Requerimientos eléctricos..... | 36 |
| Cómo quitar las puertas..... | 36 |
| Cómo quitar las manijas de la puerta..... | 37 |
| Preparación del sistema de agua..... | 37 |
| Conexión del refrigerador al suministro de agua..... | 38 |
| Rejilla de la base..... | 39 |
| Cierre de la puerta..... | 39 |
| Cómo interpretar los sonidos provenientes de su refrigerador | 40 |
| CÓMO USAR SU REFRIGERADOR | 41 |
| Cómo asegurar la debida circulación del aire..... | 41 |
| Cómo programar los controles | 41 |
| Cómo cambiar la posición de los controles..... | 42 |
| Guía de conservación de los alimentos | 42 |
| CARACTERÍSTICAS DEL REFRIGERADOR | 44 |
| Cómo sacar el depósito de la fábrica de hielo..... | 44 |
| Cómo usar los distribuidores de agua y hielo..... | 44 |
| Sistema de filtrado de agua..... | 46 |
| Estantes del refrigerador | 47 |
| Estante lateral | 48 |
| Tapa y cajón convertible para legumbres/carne..... | 49 |
| Control de temperatura para el cajón convertible de legumbres/carnes..... | 49 |
| Compartimiento de verduras y tapa..... | 50 |
| Control de humedad en el compartimiento de verduras | 50 |
| Cómo sacar la extensión de la tapa del compartimiento de las verduras..... | 50 |
| Cajón para carnes frías..... | 51 |
| Rieles de la puerta | 51 |
| Recipientes de la puerta..... | 51 |
| Parrilla del congelador | 52 |
| Canastilla del congelador | 52 |
| CUIDADO DE SU REFRIGERADOR | 52 |
| Limpieza de su refrigerador..... | 52 |
| Cómo cambiar los focos | 53 |
| Cortes de corriente..... | 54 |
| Cuidado durante las vacaciones y mudanzas | 55 |
| LOCALIZACIÓN Y REPARACIÓN DE AVERÍAS | 56 |
| CONTRATO DE MANTENIMIENTO SEARS | 60 |
| CERTIFICACIÓN DE FILTROS DE AGUA | 61 |

GARANTÍA

GARANTÍA TOTAL POR UN AÑO PARA EL REFRIGERADOR

Por un año desde la fecha de compra, cuando el refrigerador es operado y mantenido de acuerdo a las instrucciones adheridas al producto o provistas con el mismo, Sears reparará este refrigerador, libre de cargo, si hay defectos de material o de mano de obra.

GARANTÍA TOTAL POR CINCO AÑOS PARA EL SISTEMA DE REFRIGERACIÓN SELLADO

Por cinco años desde la fecha de compra, cuando el refrigerador es operado y mantenido de acuerdo a las instrucciones para el propietario adheridas al producto o provistas con el mismo, Sears reparará el sistema sellado (que consiste en el refrigerador, tubería de conexión, y compresor) sin cargo, si hay defectos de material o de mano de obra.

La cobertura de la garantía mencionada anteriormente se aplica sólo a los refrigeradores que se usan con el propósito de conservar alimentos en hogares familiares y excluye los cartuchos de filtración Kenmore Filtered Ice & Water (si estuviese equipado con el sistema de filtración). Los cartuchos originales y de reemplazo están garantizados solamente por 30 días contra defectos de fabricación o de mano de obra sus componentes.

LA GARANTÍA DE SERVICIO ESTÁ DISPONIBLE LLAMANDO AL CENTRO DE SERVICIO SEARS MÁS CERCANO EN LOS ESTADOS UNIDOS O CANADÁ

Esta garantía se aplica sólo mientras el producto se usa en los Estados Unidos o en Canadá. Esta garantía le da derechos legales específicos y Ud. también puede tener otros derechos que varían de estado a estado o de provincia a provincia.

Los términos de la garantía pueden variar en Canadá. Contacte su tienda Sears, local de catálogos o Centro de Servicio Sears para detalles completos.

Sears, Roebuck and Co.
D/817WA, Hoffman Estates, IL 60179

Sears Canada, Inc., Toronto, Ontario, Canada M5B 2B8

En el espacio de abajo, anote su número completo de modelo y serie a como la fecha de compra. Usted puede encontrar esta información en la etiqueta del número de modelo y serie, ubicada según se muestra en la sección de Partes y Características de esta libro.

Tenga esta información disponible para facilitar la obtención de asistencia o servicio con prontitud siempre que llame a Sears con respecto a su refrigerador:

Número de Modelo **106**.....

Número de serie

Fecha de compra

Guarde estas instrucciones y su comprobante de compra para referencia futura.

SEGURIDAD DEL REFRIGERADOR

Su seguridad y la seguridad de los demás es muy importante.

Hemos incluido muchos mensajes importantes de seguridad en este manual y en su electrodoméstico. Lea y obedezca siempre todos los mensajes de seguridad.



Este es el símbolo de advertencia de seguridad.

Este símbolo le llama la atención sobre peligros que pueden ocasionar la muerte o una lesión a usted y a los demás.

Todos los mensajes de seguridad irán precedidos por el símbolo de advertencia de seguridad y la palabra "PELIGRO" o "ADVERTENCIA". Estas palabras significan:

PELIGRO

Si no sigue las instrucciones, usted morirá o sufrirá una lesión grave.

ADVERTENCIA

Si no sigue las instrucciones, usted puede morir o sufrir una lesión grave.

Todos los mensajes de seguridad identificarán el peligro, le informarán cómo reducir las posibilidades de sufrir una lesión y lo que puede suceder si no sigue las instrucciones.

INSTRUCCIONES IMPORTANTES DE SEGURIDAD

ADVERTENCIA - Para reducir el riesgo de incendio, choque eléctrico, o lesiones personales al usar su refrigerador siga estas precauciones básicas:

- No quite la terminal de conexión a tierra.
- No use un cable eléctrico de extensión.
- Desconecte el suministro de energía antes de darle servicio.
- Vuelva a colocar todos los paneles antes de ponerlo a funcionar.
- Remueva las puertas de su refrigerador viejo.
- Use un limpiador no inflamable.
- No use un adaptador.
- Mantenga los materiales y vapores inflamables, tales como gasolina, alejados del refrigerador.
- Use dos o más personas par mover y instalar el refrigerador.
- Desconecte el suministro de energía antes de instalar la fábrica de hielo.
- Use un vaso resistente para recibir hielo o agua del despachador (en algunos modelos).
- Conecte a un contacto de pared de conexión a tierra de 3 terminales.

— CONSERVAR ESTAS INSTRUCCIONES —

Cómo deshacerse de su refrigerador viejo

ADVERTENCIA

Peligro de Asfixia

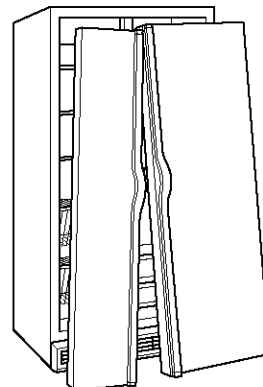
Remueva las puertas de su refrigerador viejo.

No seguir esta instrucción puede ocasionar la muerte o daño al cerebro.

IMPORTANTE -El atrapamiento y asfixia de niños no es un problema del pasado. Los refrigeradores tirados y abandonados son un peligro...aún si van a quedar ahí "por unos pocos días". Si Ud. está por deshacerse de su refrigerador viejo, por favor siga las instrucciones que se dan a continuación para prevenir accidentes.

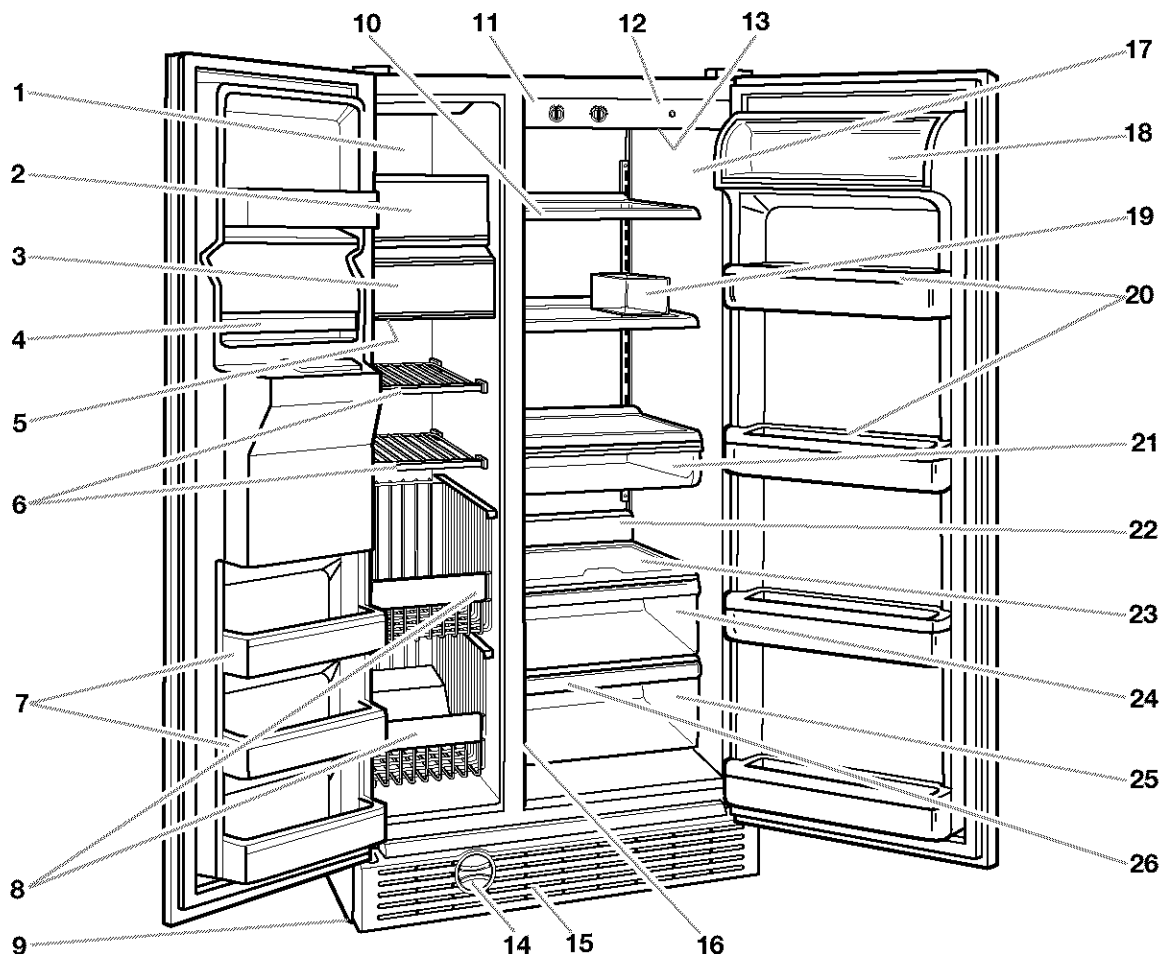
Antes de tirar su refrigerador viejo o congelador:

- Saque las puertas.
- Deje los estantes en su lugar así los niños no pueden meterse adentro con facilidad.



PARTES Y CARACTERÍSTICAS

Este manual cubre varios modelos diferentes. El refrigerador que Ud. ha comprado puede tener algunos o todos los artículos listados. La ubicación de los elementos puede ser distinta en su modelo.



1. Luz del congelador
2. Fábrica de hielo automática
3. Despósito del hielo
4. Rieles calzables de la puerta
5. Luz del congelador
6. Parrilla del congelador
7. Rieles de la puerta a presión
8. Canastilla (en algunos modelos)
9. Rodillos niveladores (detrás de la rejilla de la base)
10. Estantes deslizables (en algunos modelos)
11. Panel de controles
12. Interruptor de la luz
13. Luz del refrigerador
14. Sistema de filtrado de agua (en algunos modelos)
15. Rejilla de la base
16. Control de temperatura para el cajón convertible de legumbres/carnes (en la pared lateral)
17. Etiqueta con número de serie y modelo (en la pared lateral)
18. Compartimiento para productos lácteos
19. Compartimiento de uso general
20. Recipientes de puerta (en algunos modelos)
21. Cajón para carnes frías (en algunos modelos)
22. Luz del compartimiento de las verduras (en algunos modelos)
23. Tapa deslizable del compartimiento de las verduras (en algunos modelos)
24. Compartimiento para verduras
25. Cajón convertible para legumbres/carne
26. Tapa del cajón convertible para legumbres/carne

CÓMO INSTALAR SU REFRIGERADOR

Cómo desempacar su refrigerador

⚠️ ADVERTENCIA

Peligro de Peso Excesivo

Use dos o más personas para mover y instalar el refrigerador.

No seguir esta instrucción puede ocasionar una herida a la espalda u otra herida.

Cómo quitar los materiales de empaque

- Quite las cintas y todas las etiquetas de su refrigerador antes de usarlo (excepto la etiqueta con el número de serie y modelo).

Para eliminar todos los residuos de cinta o goma, frote el área bien fuerte con su dedo pulgar. La cinta adhesiva o goma también pueden sacarse frotando un poco de detergente con los dedos. Limpie con agua tibia y seque.

- No use instrumentos filosos, alcohol para fricciones o limpiadores abrasivos para eliminar restos de cinta o goma. Estos productos pueden dañar la superficie de su refrigerador. Para más información, ver "Instrucciones importantes de seguridad" en la sección "Seguridad del refrigerador".

IMPORTANTE: No saque ninguna etiqueta con instrucciones permanentes dentro del refrigerador o la ficha técnica que está agarrada a la rejilla de la base.

Cómo limpiar su refrigerador antes de usarlo

Una vez que usted haya quitado todos los materiales de empaque, limpie el interior de su refrigerador antes de usarlo. Vea las instrucciones de limpieza en la sección "Cuidado de su refrigerador".

Requerimientos de espacio

⚠️ ADVERTENCIA

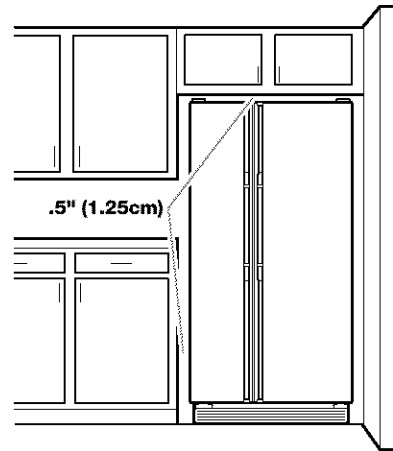


Peligro de Explosión

Mantenga los materiales y vapores inflamables, tales como gasolina, alejados del refrigerador.

No seguir esta instrucción puede ocasionar la muerte, explosión, o incendio.

- Para asegurar la adecuada ventilación para su refrigerador, deje un espacio de ½ pulgada (1.25 cm) a cada lado y por encima.



- Si su refrigerador tiene fábrica de hielo, asegúrese que hay espacio adicional atrás para la conexión de la línea de agua. El refrigerador se puede poner contra la pared de atrás si no tiene máquina de hacer hielo.
- Si Ud. instala el refrigerador en una pared fija, deje como mínimo 2" (5,08 cm) a cada lado (dependiendo del modelo) para permitir que la puerta abra bien.

NOTA: No instale el refrigerador cerca de un horno, radiador, u otra fuente de calor, ni en un lugar donde la temperatura puede ser menor de 55°F (13°C).

Requisitos eléctricos

⚠️ ADVERTENCIA



Peligro de Choque Eléctrico

Conecte a un contacto de pared de conexión a tierra de 3 terminales.

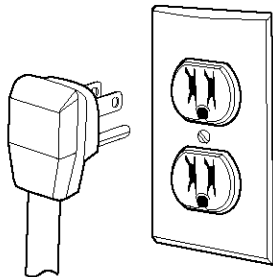
No quite el terminal de conexión a tierra.

No use un adaptador.

No use un cable eléctrico de extensión.

No seguir estas instrucciones puede ocasionar la muerte, incendio o choque eléctrico.

Antes de mover el refrigerador a su posición definitiva, es importante asegurarse que Ud. tiene la conexión eléctrica adecuada:



Método de conexión a tierra recomendado

Se requiere una fuente de energía eléctrica de 115 Voltios, 60 Hz., CA solamente y con fusibles de 15 ó 20 amperios, debidamente conectado a tierra. Se recomienda que se use un circuito separado exclusivo para su refrigerador. Use un tomacorriente que no se puede apagar con un interruptor. No use cable de extensión.

NOTA: Antes de realizar cualquier tipo de instalación, limpieza o de quitar un bombilla de luz, ponga el Control del Termostato (o el control del Refrigerador dependiendo del modelo) en la posición OFF (Apagado) y luego desconecte el refrigerador de la fuente de energía. Cuando Ud. ha terminado, reconecte el refrigerador a la fuente de energía eléctrica y vuelva a poner el Control del Termostato (o Control del Refrigerador) en la posición deseada.

Cómo quitar las puertas

⚠️ ADVERTENCIA



Peligro de choque eléctrico

Desconecte el suministro de energía antes de sacar las puertas.

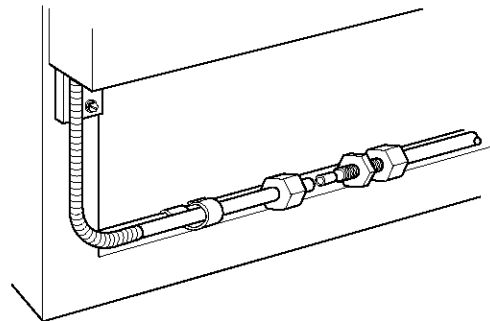
No seguir esta instrucción puede ocasionar la muerte o choque eléctrico.

NOTA: Antes de quitar las puertas, abra ambas puertas y saque la rejilla de la base (vea la sección "Rejilla de la base").

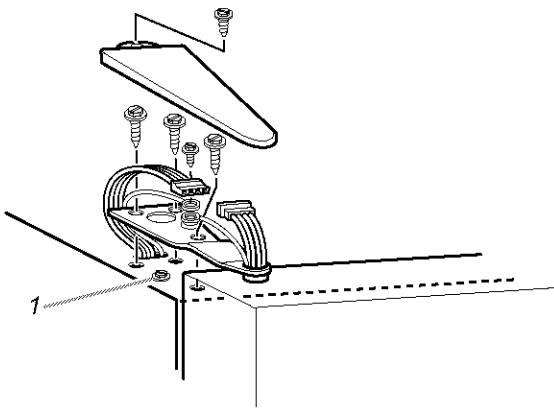
Herramientas necesarias:

Una llave tubular de cabeza hexagonal de 0,635 cm (1/4") y una llave tubular de cabeza hexagonal de 0,793 cm (5/16").

1. Desenchufe el refrigerador o desconecte el suministro de energía.
2. Si tiene un despachador (de hielo o agua), desconecte la tubería del agua (detrás de la rejilla de la base).
 - Quite la manguera del sujetador.
 - Desconecte la tuerca de unión y deslícela de nuevo en el tubo.
 - Quite el accesorio metálico del tubo.
 - Quite la tuerca de unión y el resorte.

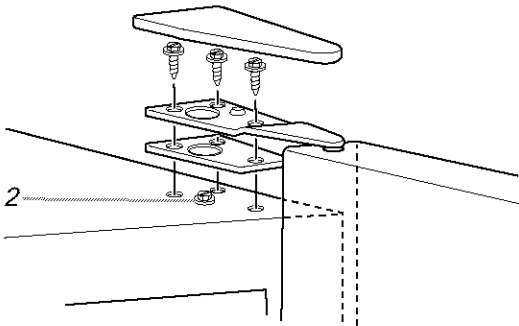


3. Quite la bisagra superior izquierda.
 - Quite la cubierta de la bisagra y los tornillos. **COMO SE MUESTRA EN EL DIAGRAMA, NO quite EL TORNILLO 1.**
 - Desconecte la clavija de contacto del alambrado y los dos alambres de conexión a tierra.
 - Levante la puerta con cuidado para desprenderla de la bisagra inferior. Asegúrese de proteger la tubería de agua para que no se dañe.



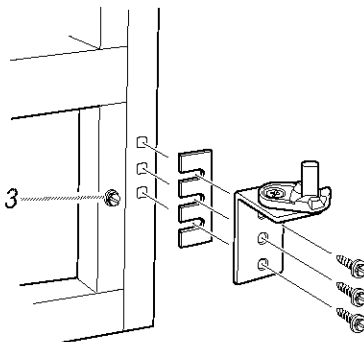
4. Desarme la bisagra superior derecha.

- Quite los tornillos y la tapa de la bisagra. **COMO SE MUESTRA EN EL DIAGRAMA, NO quite EL TORNILLO 2.**
- Levante la puerta para desprenderla de la bisagra.



5. Quite la bisagra inferior, si fuera necesario. Ambas bisagras inferiores tienen el mismo diseño. **COMO SE MUESTRA EN EL DIAGRAMA, NO quite EL TORNILLO 3.**

NOTA: Podría no ser necesario quitar la bisagra inferior para el refrigerador por una puerta.

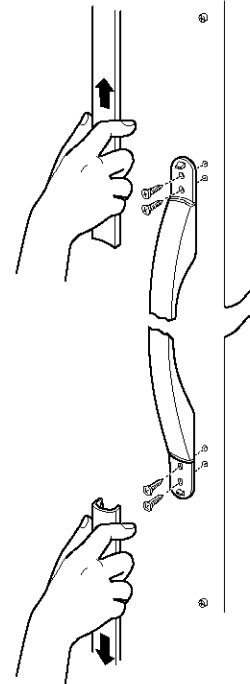


6. Vuelva a colocar las puertas.

7. Enchufe el refrigerador o reconecte el suministro de energía.

Cómo quitar las manijas de la puerta

Aplique presión firme con la mano sobre la cara del resguardo. Deslice el resguardo alejándolo de la manija y sacándolo de los tornillos de tope. Quite los tornillos.

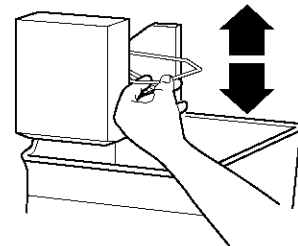


Preparación del sistema de agua

SÍRVASE LEER ANTES DE LA INSTALACIÓN

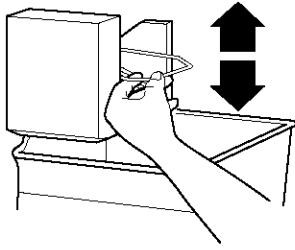
Inmediatamente luego de la instalación, siga los pasos más abajo indicados para asegurarse que el sistema de agua esté debidamente limpio.

1. Apague la fábrica de hielo abriendo la puerta del congelador y levantando la palanca de señal como se muestra.



2. Limpie el sistema de agua distribuyendo y desechando de 2 a 3 galones (aproximadamente unos 6 a 7 minutos) de agua a través del distribuidor. Esto limpiará el sistema de agua y ayudará a despejar el aire de las líneas. En algunas casas se podrá requerir limpieza adicional.

- Ponga la fábrica de hielo a funcionar abriendo la puerta del congelador y bajando la palanca de señal como se muestra.



- Permita 24 horas para producir el primer lote de hielo. La fábrica de hielo en adelante deberá producir aproximadamente de 7 a 9 lotes de hielo en un período de 24 horas. Deshégase de los tres primeros lotes de hielo producidos.

Conexión del refrigerador al suministro de agua

Leer las instrucciones con cuidado antes de comenzar.

IMPORTANTE:

- Si usa el refrigerador antes de instalar la conexión del agua, ponga la fábrica de hielo en la posición OFF para evitar que funcione sin agua.
- Todas las instalaciones deben hacerse de acuerdo a los requerimientos locales de plomería.
- Use tuberías de cobre y revise si hay filtraciones.
- Instale la tubería de cobre sólo en áreas donde las temperaturas van a permanecer encima del punto de congelación.
- Su la fábrica de hielo puede necesitar hasta 24 horas para empezar a producir hielo.

Herramientas requeridas:

- Destornillador estándar
- Llaves de boca de $\frac{7}{16}$ pulgadas y $\frac{1}{2}$ pulgada o dos llaves ajustables
- Llave para tuercas de $\frac{1}{4}$ de pulgada
- Broca de barrena de $\frac{1}{4}$ de pulgada
- Taladro manual o eléctrico (debidamente conectado a tierra)

NOTA: El distribuidor de su refrigerador tiene un juego con una válvula de cierre tipo montura de $\frac{1}{4}$ de pulgada, una unión y tubería de cobre. Antes de comprar, asegúrese que la válvula tipo montura cumpla con los códigos de plomería de su localidad. No use una válvula perforadora o una válvula de montura de $\frac{3}{16}$ de pulgada que reduce el flujo de agua y se obstruye con más facilidad.

Suministro de agua fría

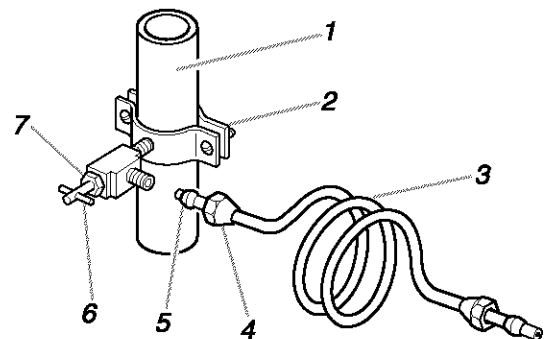
La válvula de la fábrica de hielo tiene una arandela de paso que se usa como reguladora de la presión de agua. La fábrica de hielo debe estar conectada a la línea de agua fría con límites de presión de agua de 30-120 psi. Si ocurre algún problema, llame a su compañía de servicios públicos.

Conexión a la línea de agua:

- Desenchufar el refrigerador o desconectar la corriente eléctrica.
- CIERRE el suministro principal de agua. ABRA la llave de agua más cercana el tiempo suficiente para que la tubería de agua se vacíe totalmente.
- Busque una tubería vertical de agua fría de $\frac{1}{2}$ a $1\frac{1}{4}$ pulgadas cercana al refrigerador.

NOTA: Una tubería horizontal puede servir, pero se debe tomar la siguiente precaución: taladrar por el lado de arriba de la tubería, no por debajo. Esto ayudará a mantener el agua alejada del taladro. Esto también evita que se junte sedimento normal en la válvula.

- Para determinar la longitud de la tubería de cobre que va a necesitar, mida desde la conexión de la parte trasera izquierda del refrigerador hasta la tubería de agua. Agregue 7 pies (2.1 m) para poder mover el refrigerador para limpiar. Use se tubería de cobre de $\frac{1}{4}$ de pulgada de diámetro externo. Asegúrese que ambos extremos de la tubería de cobre estén cortados rectos.
- Usando un taladro conectado a tierra, haga un orificio de $\frac{1}{4}$ de pulgada en la tubería de agua fría que Ud. eligió.



- Tubería de agua fría
- Abrazadera para tubos
- Tubería de cobre
- Tuerca de compresión
- Manguito de compresión
- Válvula de cierre
- Tuerca de presión

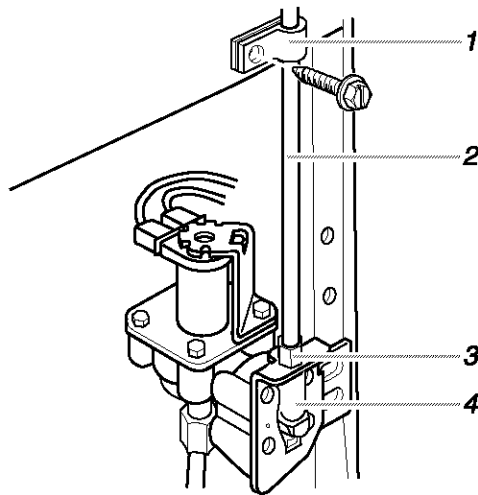
6. Ajuste la válvula de cierre al agua fría con una abrazadera de tubería. Asegúrese que el extremo de salida esta firmemente insertado en el orificio de ¼ de pulgada sobre la tubería de agua y que la arandela esté por debajo de la abrazadera de la tubería. Ajuste la tuerca de presión. Ajuste las roscas de las abrazaderas con cuidado y en forma pareja de manera que la arandela provea un cierre hermético. No apriete demasiado porque se puede quebrar la tubería de cobre, especialmente si usa tubería de cobre blando enrollado. Ahora Ud. puede conectar la tubería de cobre.

7. Deslice la manga y la tuerca de compresión sobre la tubería de cobre como se muestra en el diagrama. Inserte el extremo de la tubería en el extremo de salida y tanto como sea posible. Atornille la tuerca de compresión sobre el extremo de salida con una llave ajustable. No apriete demasiado.

8. Coloque el extremo libre de la tubería dentro de un recipiente o fregadero, y abra la llave de agua para lavar la tubería hasta que el agua salga limpia. Cierre la válvula de paso del agua. enrolle la tubería de cobre en aspiral.

Conexión al refrigerador:

1. Conecte el tubo de cobre a la entrada de la válvula usando una tuerca de compresión como se muestra. No apriete demasiado. Seguir con el paso 2.
2. **ABRA la llave de paso. REVISE SI HAY PÉRDIDAS. ajuste todas las conexiones (incluyendo conexiones a la valvula) o tuercas que tengan pérdidas.**

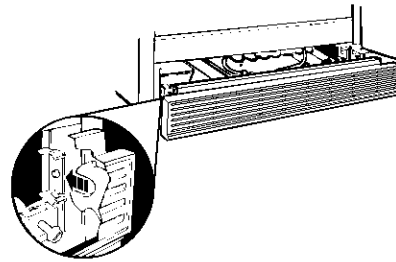


1. Abrazadera para tubos
2. Tubería de cobre
3. Tuerca de compresión
4. Entrada de la valvula

3. La fábrica de hielo está equipada con un filtro de agua incorporado. Si las condiciones del agua local requieren una limpieza periódica o si usa agua de pozo, se debe instalar un segundo filtro de agua en la línea de agua de ¼ de pulgada. Consiga un filtro de agua del comercio de electrodomésticos más cercano a su domicilio. Instale en cualquiera de las conexiones de la tubería.

4. Enchufe el refrigerador o reconecte la corriente eléctrica.

Rejilla de la base



Para retirar la rejilla de la base:

1. Abra ambas puertas del refrigerador.
2. Sujete la rejilla con sus manos por los extremos, con los pulgares en la parte superior. Empuje hacia adentro con los pulgares y tire hacia arriba desde el fondo.

NOTA: Asegúrese de volver a fijar la ficha técnica en la parte trasera de la rejilla de la base después de limpiar.

Para volver a colocar la rejilla:

1. Abra las puertas.
2. Alinee las lengüetas del soporte de la rejilla con los sujetadores metálicos.
3. Empuje la rejilla con firmeza para que enganche en su lugar.

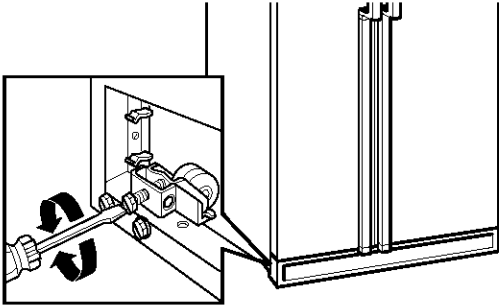
Cierre de la puerta

Cierre de la Puerta

Su refrigerador tiene 2 rodillos frontales regulables – uno a la derecha y otro a la izquierda. Si su refrigerador parece inestable o usted quiere que las puertas se cierren con mayor facilidad, ajuste la inclinación del refrigerador usando las instrucciones siguientes:

1. Enchufe el refrigerador.
2. Acomode el refrigerador hasta su posición final.
3. Quite la rejilla de la base (vea “Rejilla de la Base” mencionada previamente en esta sección). Los dos tornillos reguladores son parte de las piezas de montaje del rodillo frontal, que están en la base del refrigerador a cada lado.
4. Use un destornillador para ajustar los tornillos reguladores. Gire el tornillo regulador hacia la derecha para levantar ese lado del refrigerador o gire el tornillo regulador hacia la izquierda para bajar ese lado. Puede precisar darle varias vueltas a los tornillos reguladores para ajustar la inclinación del refrigerador.

NOTA: Para simplificar el ajuste de los tornillos, haga que alguien empuje la parte superior del refrigerador, lo cual quita el peso de los tornillos reguladores y los rodillos.



5. Abra ambas puertas nuevamente y verifique para asegurarse que se cierran con la facilidad que usted desea. De lo contrario, incline el refrigerador ligeramente más hacia la parte posterior, girando ambos tornillos reguladores hacia la derecha. Puede tomar varias vueltas más, y usted deberá girar ambos tornillos reguladores la misma cantidad de veces.
6. Vuelva a colocar la rejilla de la base.

Cómo interpretar los sonidos provenientes de su refrigerador

Su nuevo refrigerador puede hacer ruidos que su viejo refrigerador no hacía. Como estos sonidos son nuevos para Ud., puede ser que se preocupe. La mayoría de los sonidos nuevos son normales. Superficies duras, como el piso, paredes y gabinetes, pueden hacer que los sonidos parezcan más fuertes de lo que son en realidad. A continuación se describen los tipos de sonidos y qué puede causarlos.

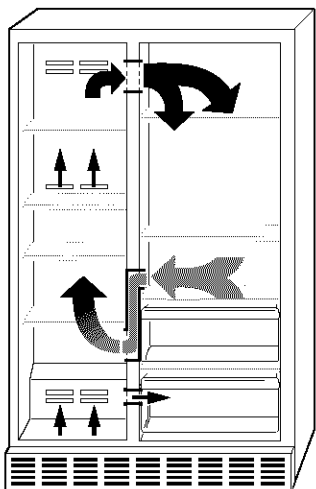
- Si su producto está equipado con máquina de hacer hielo, Ud. escuchará un zumbido cuando la válvula de agua se abre para llenar la máquina de hielo en cada ciclo.
- El reloj del descongelador hace un chasquido cuando el ciclo comienza y termina. También, el termostato del refrigerador hará el mismo sonido al principio y al final del ciclo.
- Las vibraciones pueden producirse por el flujo de líquido refrigerante, tubería de agua o artículos guardados arriba del refrigerador.
- Su refrigerador está diseñado para funcionar con más eficiencia para conservar sus alimentos a la temperatura deseada. El compresor de alta eficiencia puede causar que su nuevo refrigerador funcione por períodos de tiempo más largos que su refrigerador viejo y Ud. puede escuchar un sonido pulsante o agudo.

- El agua que gotea en el calentador del descongelador durante el ciclo de descongelación puede causar chisporroteos.
- Puede ser que Ud. escuche el ventilador del evaporador circulando el aire a través del refrigerador y el congelador.
- Al final de cada ciclo, Ud. puede escuchar un gorgoteo debido al flujo de líquido refrigerante en su refrigerador.
- La contracción y expansión de las paredes internas pueden causar un ligero estallido.
- Ud. puede escuchar aire forzado por el ventilador del condensador sobre el condensador.
- Ud. puede escuchar agua corriendo hacia la bandeja colectora durante el ciclo de descongelación.

CÓMO USAR SU REFRIGERADOR

Cómo asegurar la debida circulación del aire

Para asegurar las temperaturas correctas, debe permitir que el aire fluya entre las dos secciones. El aire frío entra por la parte inferior de la sección del congelador y continúa hacia arriba. Luego entra en la sección del refrigerador a través del orificio de ventilación superior. El aire regresa al congelador como se muestra.



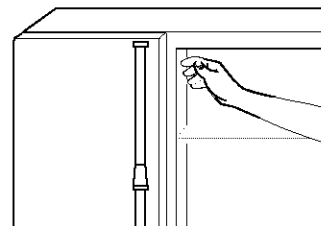
No bloquee ninguno de estos orificios de ventilación con sodas, cereales, pan, etc. Si estos orificios están bloqueados, el aire no circulará y los controles de temperatura no funcionarán correctamente.

IMPORTANTE: Debido a que el aire circula entre ambas secciones, los olores que se formen en una sección pasarán a la otra. Para eliminar los olores limpie completamente ambas secciones. Para evitar que pasen de una sección a otra, envuelva o cubra bien los alimentos.

Cómo comprobar el flujo de aire

Para medir la cantidad de aire frío dirigida del compartimiento del congelador a la sección del refrigerador, ponga su mano frente al orificio de ventilación superior. Usted puede ajustar el control del aire del congelador para sentir los diferentes niveles de flujo del aire.

Para más información sobre las temperaturas de su refrigerador, consulte la sección "Localización y reparación de averías".

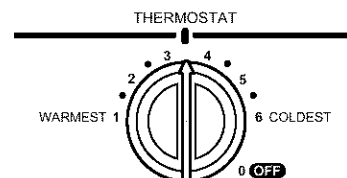


Cómo programar los controles

Para su comodidad, los controles de su refrigerador han sido programados de fábrica. Cuando instale su refrigerador por primera vez asegúrese que los controles tienen la programación original.

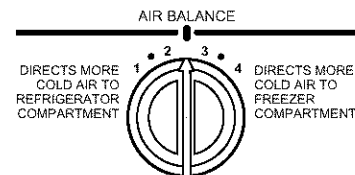
El control del termostato y el control del equilibrio del aire deberían estar en "la posición intermedia" como se muestra en las ilustraciones siguientes.

El control del termostato ajusta la temperatura tanto del compartimiento del refrigerador como del compartimiento del congelador. Los ajustes hacia la izquierda de la posición intermedia hace que la temperatura sea menos fría en ambos compartimientos. Los ajustes hacia la derecha de la posición intermedia hace que la temperatura sea más fría en ambos compartimientos.



NOTA: Su unidad **no** enfría cuando el control del termostato está en la posición OFF.

El control del equilibrio del aire divide la cantidad de aire frío que entra a ambas secciones. Los ajustes hacia la izquierda de la posición intermedia dirigen más aire frío a la sección del refrigerador. Los ajustes hacia la derecha de la posición intermedia dirigen más aire frío a la sección del congelador.



Espere hasta que su refrigerador se enfríe completamente antes de introducir los alimentos. Lo mejor es esperar 24 horas antes de guardar alimentos en el refrigerador.

IMPORTANTE: Si usted introduce alimentos antes de que el refrigerador se haya enfriado completamente, los alimentos pueden descomponerse. **Poner los controles del termostato y del equilibrio del aire en un ajuste más alto (más frío) que el recomendado no enfriará más rápido los compartimientos.**

Cómo cambiar la posición de los controles

Permita que el refrigerador se enfríe completamente antes de guardar los alimentos. Esto puede demorar varias horas. Los ajustes indicados en la sección anterior debieran ser los correctos para el uso normal del refrigerador en una casa. Los controles estarán bien regulados cuando la leche y los jugos estén lo suficientemente fríos y las helados estén firmes.

Si necesita ajustar la temperatura en el refrigerador o en el congelador, utilice como guía los ajustes que se enumeran en la siguiente tabla. Espere por lo menos 24 horas entre un ajuste y otro.

| CONDICIÓN/MOTIVO: | AJUSTE RECOMENDADO: |
|---|---|
| <p>La sección del REFRIGERADOR está muy caliente</p> <ul style="list-style-type: none"> La puerta se ha abierto con frecuencia Se agregó una gran cantidad de alimentos La temperatura ambiente está muy elevada | <p>Gire el control de BALANCE DE AIRE medio número más alto. Espere 24 horas y luego compruebe la temperatura del congelador</p> |
| <p>La sección del CONGELADOR está muy caliente/el hielo no se produce con suficiente rapidez</p> <ul style="list-style-type: none"> La puerta se ha abierto con frecuencia Se agregó una gran cantidad de alimentos La temperatura ambiente está muy baja (los ciclos no se suceden con suficiente regularidad) Consumo excesivo de hielo El difusor de aire está bloqueado con alimentos | <p>Gire el control de BALANCE DE AIRE medio número más alto</p> <p>Quite los alimentos del flujo de aire</p> |

| CONDICIÓN/MOTIVO: | AJUSTE RECOMENDADO: |
|--|---|
| <p>La sección del REFRIGERADOR está muy fría</p> <ul style="list-style-type: none"> Los controles no se ajustaron correctamente para sus condiciones | <p>Gire el control del TERMOSTATO al siguiente número más bajo</p> |
| <p>La sección del CONGELADOR está muy fría</p> <ul style="list-style-type: none"> Los controles no se ajustaron correctamente para sus condiciones | <p>Gire el control de BALANCE DE AIRE medio número más bajo</p> |

Guía de conservación de los alimentos

Almacenamiento de alimentos frescos

Envuelva o guarde los alimentos en el refrigerador en un material hermético y a prueba de humedad a menos que se indique lo contrario. Esto evita que el olor y el sabor del alimento circulen por el refrigerador. En productos que tienen fecha de vencimiento, verifique la fecha para asegurar que estén frescos.

Mantequilla o margarina

Conservar la mantequilla abierta en una bandeja cubierta o compartimiento cerrado. Si se guarda una provisión adicional, envuelva con papel para congelador y congele.

Queso

Guardar en la envoltura original hasta el momento de usar. Una vez abierto, envolver bien con plástico o aluminio.

Leche

Limpiar la superficie de los envases de leche. Para mejor conservación, ponga la leche en los estantes interiores.

Huevos

Guardar en la caja original en el estante interior.

Frutas

Lavar, dejar secar, y guardar en el refrigerador en bolsas plásticas o en el compartimiento para verduras. No lave ni limpie las moras hasta el momento de usar. Clasifique y mantenga las moras en el recipiente original en el compartimiento para verduras o guarde en una bolsa de papel a medio cerrar en un estante del refrigerador.

Verduras de hoja

Quitar el envoltorio y sacar los bordes machucados o descoloridos. Lavar con agua fría y escurrir. Poner en bolsas plásticas o recipientes de plástico y guardar en el compartimiento para verduras.

Verduras con cáscara (zanahorias, pimientos)

Poner en bolsas plásticas o recipientes de plástico y guardar en el compartimiento para verduras.

Pescado

Use el pescado fresco y los mariscos el mismo día que los compra.

Carne

Guardar la mayor parte de la carne en el envoltorio original siempre y cuando sea hermético y a prueba de humedad. Envolver si es necesario. Ver los períodos de conservación en el siguiente cuadro. Cuando se guarda carne por un tiempo más largo que los que se indican, congelar la carne.

| | |
|--|-----------|
| Pollo..... | 1-2 días |
| Carne picada | 1-2 días |
| Carnes varias (hígado, corazón, etc.)..... | 1-2 días |
| Fiambres..... | 3-5 días |
| Filetes/asado | 3-5 días |
| Tocino | 5-7 días |
| Carnes Curadas..... | 7-10 días |

Sobras

Cubrir sobras con plástico o aluminio. También se pueden usar recipientes de plástico con tapas herméticas.

Conservación de alimentos congelados

NOTA: Para mayor información acerca de la preparación de alimentos para congelar o períodos de conservación de alimentos, revise una guía de congelación o un libro de cocina confiable.

Envasado

El éxito de la congelación depende del envasado correcto. Cuando Ud. cierra y sella el paquete, no debe permitir que el aire y la humedad entren o salgan. De lo contrario, puede haber circulación de olor y sabor a través del refrigerador y también deshidratación de alimentos congelados.

Envolturas recomendadas:

- Recipientes de plástico rígido con cierre hermético
- Latas y jarras para congelación de lados rectos
- Papel de aluminio resistente
- Papel con laminado plástico
- Envoltura plástica impermeable (hechas con lámina Saran)
- Bolsas autosellantes especiales para el congelador

Siga las instrucciones del paquete o del recipiente para los métodos de congelación adecuados.

No use:

- Envolturas de pan
- Recipientes de plástico que no sean de polietileno
- Recipientes sin cierre hermético
- Papel encerado o envoltura para congelador con cubierta de cera
- Envoltura delgada, semipermeable

Congelación

Su congelador no congelará una cantidad grande de alimentos en forma rápida. No ponga más comida descongelada dentro del congelador de lo que se puede congelar en 24 horas (no más de 2 ó 3 libras de comida por pie cúbico [907-1,350 g por litro] de espacio en el congelador). Deje espacio suficiente en el congelador para que el aire circule alrededor de los paquetes. Tenga cuidado de dejar suficiente espacio en el frente para que la puerta cierre bien.

Los períodos de almacenamiento varían de acuerdo a la calidad y tipo de comida, o de envoltura usada (hermética y a prueba de humedad), y a la temperatura de almacenamiento. Los cristales de hielo dentro del paquete sellado son normales. Esto simplemente indica que la humedad en el alimento y el aire dentro del paquete se han condensado, formando cristales de hielo.

NOTA: Permita que las comidas calientes se enfríen a temperatura ambiente durante 30 minutos, luego envuelva y congele. El enfriamiento de las comidas calientes antes de congelar ahorra electricidad.

CARACTERÍSTICAS DEL REFRIGERADOR

Cómo sacar el depósito de la fábrica de hielo

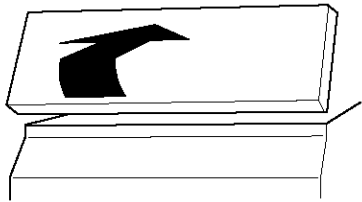
Hay varios motivos para sacar, vaciar y limpiar el depósito de hielo.

- El distribuidor de hielo no ha sido o no será usado durante una semana o más.
- Una interrupción de corriente eléctrica ha descongelado los cubos y después éstos se han fusionado.
- El distribuidor de hielo no es usado regularmente.
- El hielo tiene mal sabor. (Ver la sección "Localización y Reparación de Averías").

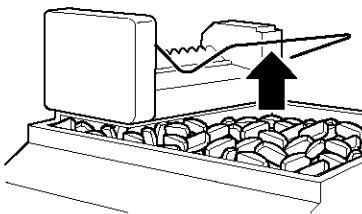
Si alguna de estas condiciones es aplicable a su caso, siga las instrucciones para sacar el depósito de hielo.

Para sacar el depósito de hielo:

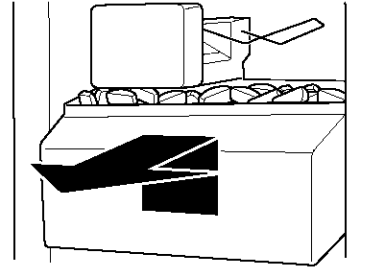
1. Levante desde abajo el panel que cubre el depósito y deslícelo hacia atrás.



2. Levante el brazo de control eléctrico hasta que enganche en la posición OFF (hacia arriba). Aún se puede sacar hielo del distribuidor, pero no se puede hacer más.



3. Levante y tire de la parte delantera del depósito de hielo para sacarlo.



4. Vacíe el depósito de hielo. Utilice agua tibia para derretir el hielo si fuera necesario. **No use instrumentos afilados** para romper el hielo en el depósito. Esto puede dañar el depósito y el mecanismo de distribución.
5. Lave con un detergente suave, enjuague bien y seque completamente.

Cuando vuelva a colocar el depósito, asegúrese de empujarlo completamente para que funcione el distribuidor. Luego baje el brazo de control eléctrico hasta la posición ON para que reinicie la producción de hielo. Asegúrese de que la puerta esté bien cerrada.

Cómo usar los distribuidores de agua y hielo

⚠ ADVERTENCIA



Peligro de Cortaduras

Use un vaso resistente para recibir hielo o agua del distribuidor.

No seguir esta instrucción puede ocasionar cortaduras.

Según el modelo, usted puede tener una o más de las siguientes opciones: la posibilidad de seleccionar hielo picado o en cubos, una luz especial que se enciende cuando usted utiliza el distribuidor o una opción de cierre para evitar que salga hielo accidentalmente.

El distribuidor de hielo

El hielo proviene del depósito de hielo de la máquina de hacer hielo, en el congelador. Cuando usted oprime la barra del distribuidor:

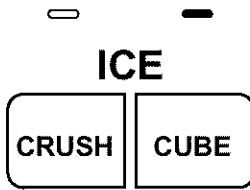
- Se abre una escotilla en un conducto situado entre el distribuidor y el depósito del hielo.
- El hielo baja del depósito y cae a través del conducto.

- Cuando deja de oprimir la barra del distribuidor, se cierra la escotilla y deja de salir hielo. El sistema de distribución no funcionará cuando la puerta del congelador esté abierta.

Algunos modelos tienen la opción entre los cubos o el hielo picado. Antes de sacar hielo, seleccione el tipo de hielo que desea. Los botones de control están diseñados para facilitar el uso y limpieza del distribuidor.

- Para obtener hielo en cubos, oprima el botón de CUBE hasta que el indicador rojo aparezca en la ventana que está sobre ese botón de CUBE.
- Para obtener hielo picado, oprima el botón de CRUSH hasta que el indicador rojo aparezca en la ventana que está sobre ese botón de CRUSH.

Para obtener hielo picado, el hielo es triturado antes de ser despachado. Esto puede retrasar un poco la distribución del hielo picado. El ruido proveniente del triturador de hielo es normal y los trozos de hielo pueden variar en tamaño. Cuando cambia de la posición de hielo picado a la posición de hielo en cubos, caen unas onzas de hielo picado junto con los primeros cubos.



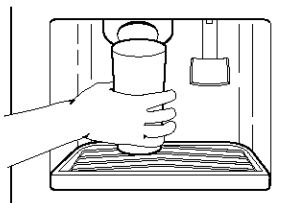
Para distribuir hielo:

1. Oprima el botón del tipo de hielo que desee .
2. Oprima un vaso **resistente** contra la barra del distribuidor de hielo. Sostenga el vaso junto al orificio del distribuidor para que el hielo no caiga fuera del vaso.

IMPORTANTE: No necesita aplicar mucha presión a la barra para activar el distribuidor de hielo. Oprimir mucho no hará que el distribuidor funcione con más rapidez o produzca mayor cantidad de hielo.

3. Retire el vaso para detener la salida de hielo.

NOTA: Los primeros lotes de hielo pueden tener mal sabor debido a las conexiones de plomería y piezas nuevas. No use ese hielo. Además, saque grandes cantidades de hielo del depósito del hielo, no a través del distribuidor.



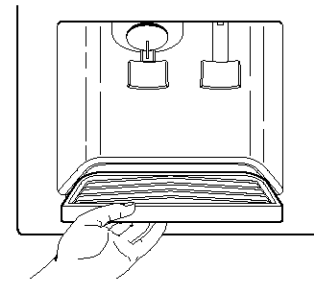
El distribuidor de agua

El agua fría proviene de un depósito situado detrás de la gaveta de la carne. Su capacidad es de aproximadamente 1.5 litros (1½ cuartos de galón).

Cuando el refrigerador se conecta por primera vez, oprima la barra del distribuidor de agua con un vaso o jarro hasta que saque y descarte de 1.9 a 2.8 litros (2 ó 3 cuartos de galón). Toma de tres a cuatro minutos para que el agua comience a salir. El agua que usted saca y descarta enjuaga el depósito y las tuberías.

Toma varias horas para que se enfríe un nuevo depósito lleno.

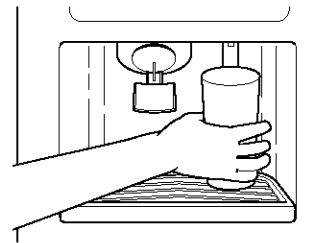
IMPORTANTE: La bandeja pequeña desmontable situada bajo el distribuidor del agua está diseñada para recibir los derrames pequeños y facilitar la limpieza. Esta bandeja no tiene desagüe. Se puede retirar del distribuidor para ser vaciada o limpiada en el sumidero.



Para sacar agua :

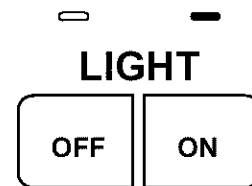
1. Oprima un vaso contra la barra del distribuidor de agua.
2. Retire el vaso para detener la salida del agua.

NOTA: Haga salir suficiente agua cada semana para mantener un suministro fresco.



La luz del distribuidor

El área del distribuidor tiene una luz. Puede apagarse con la mano oprimiendo el botón de ON situado a mano derecha del panel de control. Aparecerá el indicador rojo que está sobre el botón de ON. En algunos modelos, cuando usted utilice el distribuidor la barra encenderá automáticamente la luz.

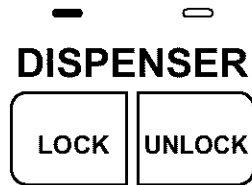


NOTA: Para información sobre cómo cambiar el foco del distribuidor, vea la sección "Cómo cambiar los focos".

En los modelos que no tienen el hielo picado, el interruptor de luz en es de tipo oscilante. Oprima el interruptor para encender la luz, y oprímalo otra vez para apagarla.

El cierre del distribuidor (en algunos modelos)

El distribuidor puede apagarse para facilitar la limpieza o para evitar que sea activado accidentalmente por niños o animales domésticos. Para apagar el distribuidor, oprima el botón de LOCK ("Cierre"). El indicador aparecerá sobre el botón de LOCK ("Cierre"). Para reactivar el distribuidor, oprima el botón de UNLOCK ("Reactivación") hasta que el indicador aparezca arriba el botón de UNLOCK. Luego continúe distribuyendo hielo o agua como de costumbre.



NOTA: La función de cierre no interrumpe el flujo eléctrico a la unidad, a la máquina de hacer hielo o a la luz del distribuidor. Únicamente desactiva las barras del distribuidor.

Sistema de filtrado de agua (en algunos modelos)

La luz de estado del filtro de agua

La luz de estado del filtro de agua le ayudará a saber cuándo debe cambiar el cartucho de su filtro de agua. La luz está ubicada en la parte superior interior del compartimento del refrigerador junto a la perilla de control del refrigerador. La luz cambiará de verde a amarillo. Esto le dice que ya está siendo tiempo de cambiar el cartucho del filtro de agua (90% de la duración del filtro ha sido usada) y que debe pedir un nuevo cartucho para filtro de agua. Se recomienda que reemplace el cartucho del filtro de agua cuando la luz de estado del filtro de agua cambie a rojo y el flujo de agua al surtidor o a la máquina de hacer hielo disminuya visiblemente. (Ver "Cambio del cartucho del filtro de agua" más adelante en esta sección).

NOTA: No usar con agua que no sea microbiológicamente segura o de calidad desconocida sin desinfectarla adecuadamente antes o después del sistema.

WATER FILTER STATUS

GREEN • FILTER IS OK
YELLOW • LOW FILTER LIFE
RED • REPLACE FILTER



RESET WATER FILTER STATUS
PRESS LIGHT SWITCH (5) TIMES

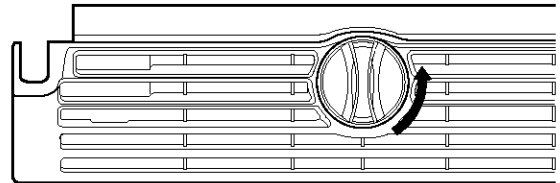
Una vez que se cambió el cartucho de filtración de agua, deberá restablecerse la luz de estado del filtro de agua oprimiendo el interruptor de la luz cinco veces durante 10 segundos. La luz de estado cambiará de rojo al verde en cuanto el sistema se haya restablecido.

Cómo cambiar el cartucho de filtración de agua

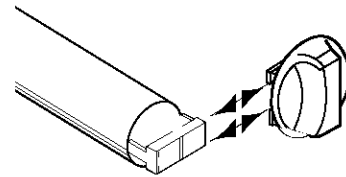
El filtro de agua está situado debajo de la puerta del compartimento del congelador.

1. Localice la tapa del cartucho del filtro de agua en el frente de la rejilla en la base debajo de la puerta del compartimento del congelador. Gire la tapa en dirección contraria al reloj hasta la posición vertical y tire de la tapa y del cartucho del filtro hasta sacarlos por la rejilla de la base.

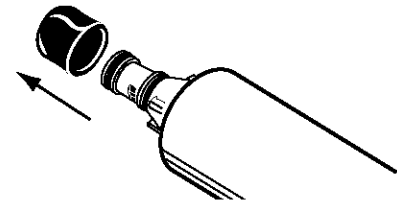
NOTA: Siempre queda agua en el cartucho. Es posible que se derrame un poco de esa agua.



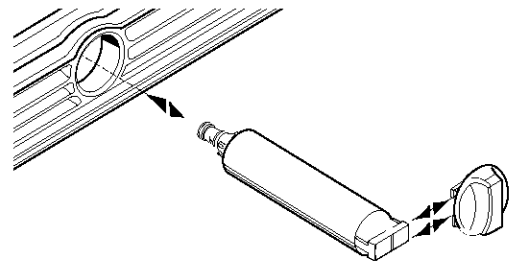
2. Quite la tapa del cartucho deslizándola del extremo del cartucho viejo. La tapa del cartucho se deslizará a la izquierda o a la derecha. **NO BOTE LA TAPA.**



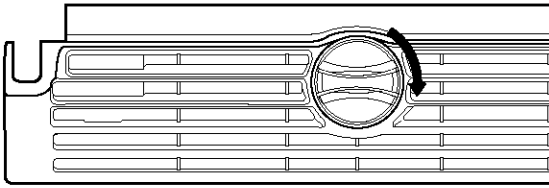
3. Saque el cartucho nuevo de su empaque y quite la cubierta protectora de los anillos O.



4. Deslice la tapa del cartucho sobre el cartucho nuevo tal como muestra la figura.



5. Con la tapa del cartucho en posición vertical, empuje el cartucho nuevo dentro de la rejilla de la base hasta que se detenga. Rote la tapa del cartucho en dirección con el reloj hasta la posición horizontal.



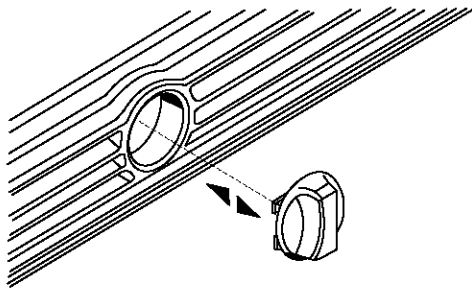
6. DEJE PASAR AGUA A TRAVÉS DEL DISPENSADOR HASTA QUE EL AGUA QUE FLUYE ESTÉ LIMPIA (UNOS 2 A 3 GALONES Ó 6 A 7 MINUTOS). Esto limpia el sistema y saca el aire de las líneas. En algunos hogares puede ser necesario dejar pasar agua adicional.

NOTA: A medida que sale aire del sistema, es posible que salgan chorros de agua repentinos del dispensador.

Uso del dispensador sin el filtro de agua

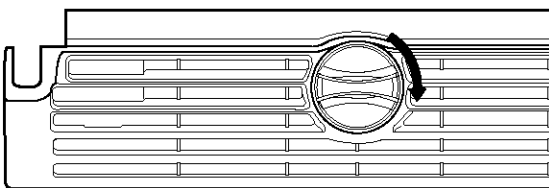
Puede usar el dispensador sin el filtro de agua. El agua no estará filtrada. Si usa el dispensador sin un cartucho de filtro de agua, guarde la tapa del cartucho y colóquela en la rejilla de la base para uso futuro.

1. Quite el cartucho del filtro de agua. (Ver “Cambio del cartucho del filtro de agua” anteriormente en esta sección.) Luego deslice la tapa del cartucho del extremo del cartucho del filtro. **NO BOTE LA TAPA.**
2. Con la tapa del cartucho en la posición vertical, inserte la tapa en la rejilla de la base hasta que se detenga.



3. Gire la tapa del cartucho hasta llegar a la posición horizontal.

NOTA: La tapa del cartucho puede quedar fuera de línea con la rejilla de la base.



Para pedir filtros de repuesto

Para pedir más cartuchos de filtro de agua, llame al 1-800-366-PART. Si desea reemplazar el cartucho de filtración instalado en la fábrica, pida el accesorio con número de Parte 4392857.

Estantes del refrigerador

Los estantes de su refrigerador son ajustables para adaptarlos a sus necesidades individuales de almacenamiento.

Si Usted guarda a los alimentos similares juntos y ajusta los estantes para que se adapten a las diferentes alturas de los artículos, le será muy fácil encontrar exactamente el artículo que desea. Asimismo, de esa forma se reduce el tiempo que el refrigerador permanece abierto y se ahorra electricidad.

IMPORTANTE: No limpie los estantes de vidrio con agua caliente mientras están fríos. Los estantes pueden romperse si se exponen a cambios bruscos de temperatura o impacto. Para su protección se ha diseñado vidrio templado para hacerse añicos. Esto es normal.

NOTA: Los estantes de vidrio son muy pesados. Tenga mucho cuidado al sacarlos para evitar que se dañen el caer.

Para quitar los estantes de su posición de envío (los estantes son enviados boca abajo):

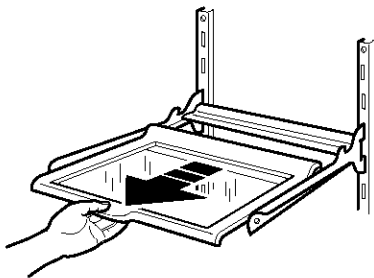
1. Tome el frente del estante superior con una mano y use la otra mano para quitar el material de empaque de la superficie del estante.
2. Baje el frente del estante superior hasta que los ganchos del estante puedan desprenderse de las ranuras de los soportes de los estantes en la pared trasera del refrigerador. Tire del estante hacia el frente para quitarlo.
3. Dé vuelta el estante.
4. Inserte los ganchos traseros del estante en las ranuras de los soportes del estante.
5. Incline el frente del estante hacia arriba hasta que los ganchos traseros calcen en las ranuras.
6. Baje el frente del estante. Asegúrese que el estante esté asegurado en su lugar.

Estantes deslizables (en algunos modelos)

Algunos estantes se deslizan hacia afuera, dándole un acceso más fácil a los alimentos almacenados en la parte de atrás.

Para hacer rodar los estantes hacia afuera, tire cuidadosamente del frente del estante hacia Usted.

Para hacer rodar los estantes hacia adentro, empuje el estante hacia adentro hasta que se detenga.



Para quitar un estante del marco de metal:

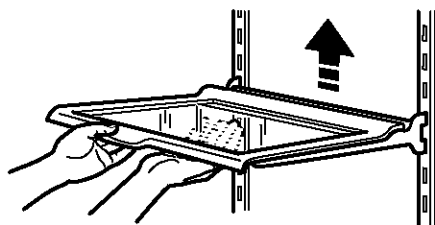
1. Tire del estante hacia afuera hasta su tope.
2. Incline el frente del estante hacia arriba y tire de él un poco más.
3. Levante el estante de tal manera que los rodillos se deslicen por la ranura en el marco.

Vuelva a poner el estante en el orden inverso.

Estantes y marcos de estantes

Para quitar un estante/marco:

1. Incline el frente del estante/marco hacia arriba y levántelo por la parte de atrás.
2. Tire del estante/marco derecho hacia afuera.



Para volver a colocar un estante/marco:

1. Guíe los ganchos traseros del estante/marco hacia el interior de las ranuras en los soportes de los estantes en la pared trasera del refrigerador.
2. Incline el frente del estante/marco hacia arriba hasta que los ganchos traseros calcen en las ranuras.
3. Baje el frente del estante/marco para ponerlo en su lugar.

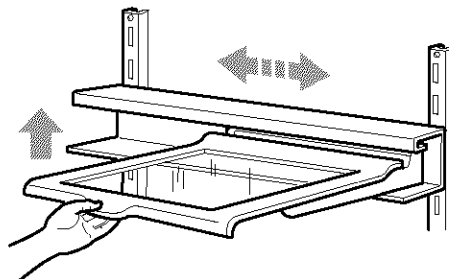
Estante lateral

(en algunos modelos)

Cómo deslizar el estante de lado a lado:

1. Levante el frente del estante y deslícelo hasta la posición deseada.
2. Baje el estante hasta que esté nivelado.

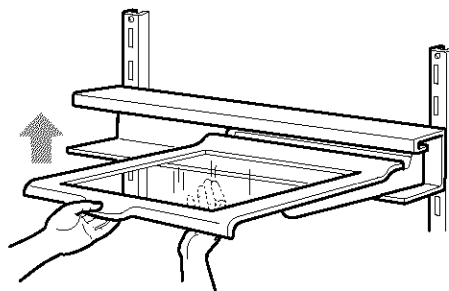
NOTA: Usted no necesita quitar los artículos pequeños del estante antes de deslizarlo de lado a lado. Quizá necesitaría quitar los artículos más grandes.



Para quitar el estante:

NOTA: El estante es pesado y se deberán usar ambas manos para sacarlo.

1. Quite todos los artículos del estante.
2. Detenga la parte de atrás del estante con una mano.
3. Con la otra mano levante el frente del estante a un ángulo de 45° y bájelo un poco para liberarlo del canal superior del carril.
4. Tire del estante directamente hacia afuera.



Para quitar el carril del estante:

1. Suavemente levante ambos lados del carril.
2. Tire directamente hacia afuera.

Para volver a colocar el carril del estante:

1. Encaje los ganchos del carril en los soportes ranurados en la pared trasera.

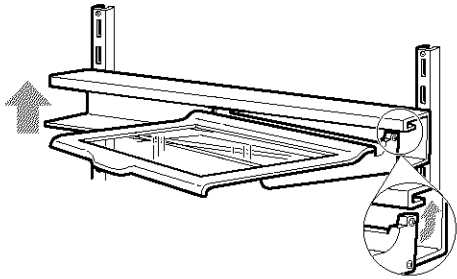
NOTA: Asegúrese que ambos juegos de ganchos del carril encajan en las ranuras y que las ranuras se encuentran paralelas entre sí.

2. Empuje el carril hacia atrás y hacia abajo hasta que inserte seguramente en los soportes del estante.

Para volver a colocar el estante

NOTA: Asegúrese que ambos deslizadores traseros del estante están seguros en el carril antes de soltar el estante. Si el carril se instaló muy cerca del techo del refrigerador puede ser difícil instalar el estante lateral. Coloque el carril en alguno de los escalones inferiores hasta que el estante pueda inclinarse lo suficiente para que se deslice fácilmente dentro del carril.

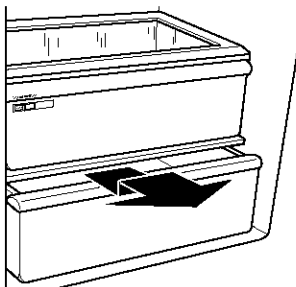
1. Detenga el estante por delante e incline el frente a un ángulo de 45° en relación con el carril.
2. Inserte ambos deslizadores traseros del estante en el canal superior del carril.
3. Baje el frente hasta su lugar.



Tapa y cajón convertible para legumbres/carne

Para sacar el cajón convertible:

1. Deslícelo directamente hacia afuera hasta el tope.
2. Levante el frente levemente y retírelo por completo.
3. Vuelva a colocarlo en el orden inverso.



Para sacar la tapa:

1. Retire el cajón y el cajón de verduras.
2. Levante el frente de la tapa separándolo de los soportes y retírelo tirando hacia arriba y hacia afuera.

Para volver a colocar la tapa:

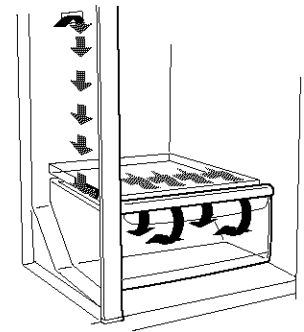
1. Encaje la parte trasera de la tapa en los soportes ranurados en las paredes laterales del refrigerador y coloque la tapa en su lugar.
2. Vuelva a colocar el cajón y el cajón de legumbres.

Control de temperatura para el cajón convertible de legumbres/carnes

El cajón convertible de legumbres/carnes puede ajustarse de manera que enfríe correctamente la carne o las legumbres. A diferencia de la mayoría de los sistemas de cajón refrigerado de carnes, el control de temperatura enfría el aire dentro de la bandeja. (La mayoría de los sistemas enfrían únicamente a la bandeja misma, con lo que el aire dentro de la bandeja no se enfría uniformemente).

Enfriando el aire dentro de la bandeja proporciona un enfriamiento más uniforme y se reduce la congelación por "puntos". El control de temperatura se puede ajustar para mantener a la carne a las temperaturas de almacenaje recomendadas (28°F-32°F, es decir -2°C a 0°C, son las temperaturas de almacenaje recomendadas por el National Livestock and Meat Board, el Consejo Nacional de Ganado y Carnes).

Para guardar legumbres a su temperatura óptima de almacenaje (la cuál debe ser mayor que la de la carne), ajuste el control a la posición Vegetable, totalmente hasta el extremo izquierdo.



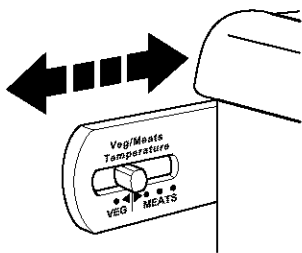
IMPORTANTE: Para mantener la frescura por más tiempo, siempre envuelva a la carne con materiales herméticos y a prueba de humedad antes de guardarla. Siempre guarde la carne según la recomendación del National Livestock and Meat Board. Para más información, vea la sección "Cómo almacenar alimentos frescos" en la "Guía de conservación de los alimentos".

Cómo ajustar el control

El control convertible viene ajustado de fábrica en la posición de menos frío para carne. Muévelo a la posición intermedia o "colder" (más frío) si así lo desea.

Para cambiar el ajuste: mueva el control hacia la derecha (colder, más frío) o hacia la izquierda (less cold, menos frío).

Para guardar legumbres: mueva el control hasta el extremo izquierdo, a la posición **VEG**.



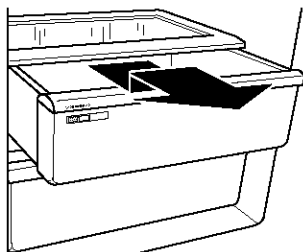
IMPORTANTE: Si los alimentos se empiezan a congelar, mueva el control hacia la izquierda (menos frío). Recuerde que debe esperar 24 horas entre ajustes. Si lo hace así, le da tiempo a la temperatura de los alimentos a que cambie.

Compartimiento de verduras y tapa

Para sacar el compartimiento de verduras:

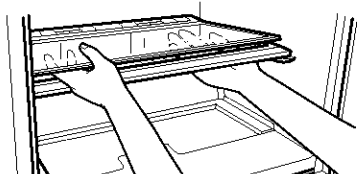
1. Deslizar el compartimiento de verduras derecho hacia afuera hasta el tope.
2. Levante la parte delantera.
3. Deslice el compartimiento completamente hacia afuera.

Para volver a colocar siga los mismos pasos en sentido inverso.



Para sacar la tapa del compartimiento de verduras:

1. Sacar el compartimiento de verduras.
2. Sosteniendo el vidrio firmemente, tome la tapa por un lado y levante el otro lado.
3. Deslice el vidrio hacia afuera.
4. Levante el marco de la tapa hacia arriba y afuera.



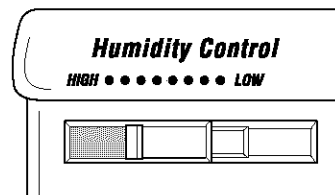
Para volver a colocar la tapa:

1. Encaje el marco de la tapa en los soportes sobre las paredes laterales del refrigerador.
2. Baje la parte delantera del marco de la tapa para colocarlo en su lugar.
3. Deslice la parte trasera del vidrio dentro del marco de la tapa y baje la parte delantera.

Control de humedad en el compartimiento de verduras (en algunos modelos)

Usted puede controlar la cantidad de humedad en la gaveta hermética. Ajuste el control en cualquier posición entre LOW (bajo) y HIGH (alto).

- LOW (abierto) permite que el aire húmedo salga del compartimiento para conservar mejor las frutas y verduras con cáscara.
- HIGH (cerrado) mantiene el aire húmedo en el compartimiento para conservar mejor las verduras frescas de hoja.



Cómo sacar la extensión de la tapa del compartimiento de las verduras (en algunos modelos)

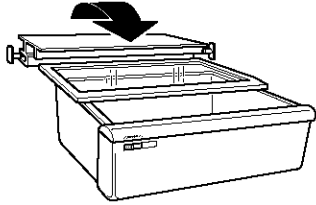
Para evitar que las verduras caigan detrás del compartimiento, algunos modelos tienen una extensión de la tapa que cubre el espacio entre la pared trasera y la parte trasera del compartimiento. Usted puede sacar la extensión para limpiar.

Para sacar la extensión de la tapa del compartimiento de las verduras:

1. Levante la parte delantera de la extensión.
2. Tire de ella para sacarla de los soportes.

Para volver a instalar la extensión de la tapa del compartimiento de las verduras:

1. Colóquela de nuevo en los soportes situados en las paredes laterales del refrigerador.
2. Deje que la extensión descienda hacia adelante y repose en la tapa del compartimiento de las verduras.



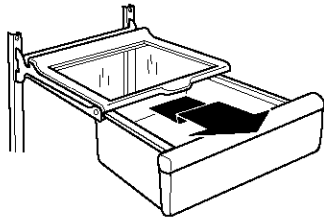
Cajón para carnes frías (en algunos modelos)

El cajón de carnes frías ofrece un espacio muy conveniente para guardar pasas, nueces, comidas para untar y otros artículos pequeños a la temperatura normal del refrigerador.

Cómo retirar el cajón para carnes frías:

1. Deslice el cajón para carnes frías derecho hacia afuera hasta el tope.
2. Levante el frente y deslice el cajón hacia afuera totalmente.

Colóquelo nuevamente en el orden inverso.



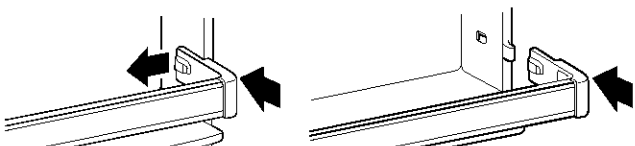
Rieles de la puerta

Se puede sacar los rieles de la puerta para facilitar la limpieza.

Rieles de la puerta a presión

Para sacar los rieles:

1. Sacar todos los artículos del anaquel.
2. Empujar hacia adentro ligeramente en la parte delantera del soporte mientras tira hacia afuera la lengüeta interior.
3. Repita estos pasos para el otro extremo del riel.



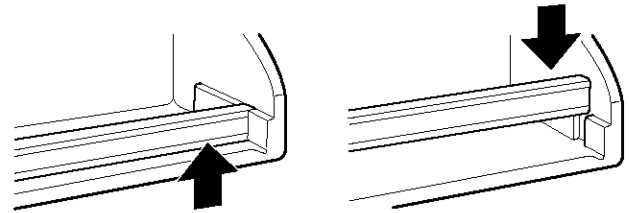
Para volver a colocar los rieles:

1. Empareje los extremos de los soportes con los botones que se encuentran en los costados del revestimiento de la puerta.
2. Haga encajar con presión firme el soporte del congelador y el montaje del riel en las lengüetas que se encuentran encima del anaquel del congelador como se muestra.

Rieles calzables de la puerta

Para sacar los rieles:

1. Saque todos los objetos del anaquel.
2. Tire derecho hacia arriba cada extremo del riel.



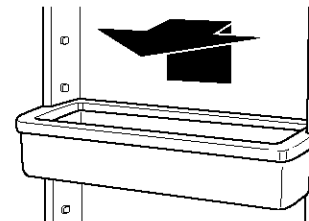
Para volver a colocar los rieles:

1. Deslice el riel del anaquel en las ranuras que están en la puerta.
2. Empuje el riel recto hacia abajo hasta que se detenga.

Recipientes de la puerta (en algunos modelos)

Los recipientes de la puerta son desmontables para facilitar la limpieza y el ajuste.

1. **Para sacar el recipiente**, simplemente levante el recipiente y tire derecho hacia afuera.
2. **Para volver a colocar el recipiente**, deslícelo por encima del botón de apoyo deseado y empuje hacia abajo hasta que quede fijo.

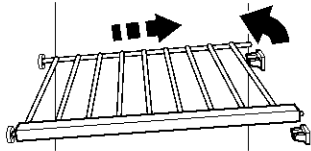


Parrilla del congelador (la cantidad varía según el modelo)

Para sacar la parrilla:

1. Levante la parrilla de los soportes.
2. Deslícela hacia afuera para sacarla de los orificios de los soportes de la parrilla.

Vuelva a colocarla en el orden inverso.

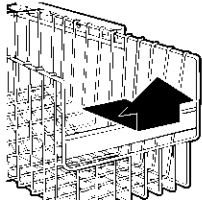


Canastilla del congelador (recipiente de plástico en algunos modelos)

El cajón/canastilla del congelador se puede utilizar para guardar bolsas de frutas y verduras congeladas que pudieran caerse de las parrillas del congelador.

Para sacar el canastilla:

1. Deslícelo hasta el tope.
2. Levante el frente y deslícelo hacia afuera totalmente.



Para volver a colocar el cajón/canastilla:

1. Colóquelo sobre los rieles, asegurándose que los topes de alambón queden al frente de los deslizadores.
2. Empújelo completamente de regreso.

CUIDADO DE SU REFRIGERADOR

Limpeza de su refrigerador

⚠ ADVERTENCIA



Peligro de Explosión

Use un limpiador no inflamable.

No seguir esta instrucción puede ocasionar la muerte, explosión o incendio.

Tanto la sección del refrigerador como la del congelador se descongelan automáticamente. Sin embargo, limpie ambas secciones una vez al mes para prevenir la formación de olores. Limpie los derrames inmediatamente.

Consejo para ahorrar electricidad:

Limpie los serpentines del condensador en forma regular, como se describe en el cuadro para limpieza en esta sección. Hay un cepillo para serpentines que se puede comprar. Llame al 1-800-366-PART y solicite la parte Número 4210463.

Para limpiar su refrigerador:

- Desenchufe el refrigerador o desconecte la corriente eléctrica.
- Quite todas las partes desmontables de adentro, como estantes, compartimientos de verduras, etc.
- Use una esponja o paño suave limpio y detergente diluido en agua tibia. No use limpiadores abrasivos o fuertes.
- Lave a mano, enjuague y seque bien todas las superficies.
- Enchufe el refrigerador o reconecte la electricidad.

■ **Consejos adicionales de limpieza:**

| PARTE | COMENTARIOS |
|---|---|
| Exterior | <ul style="list-style-type: none"> ■ El encerado de superficies metálicas pintadas ayuda a proteger contra la oxidación. No encere partes plásticas. Encere las superficies de metal pintadas, por lo menos dos veces al año usando cera para electrodomésticos (o cera en pasta para autos). Aplique la cera con un paño limpio. |
| Paredes interiores (deje que el congelador se entibie para que el paño no se pegue) | <ul style="list-style-type: none"> ■ Para ayudar a eliminar los olores, usted puede lavar con una mezcla de agua tibia y bicarbonato de sodio (2 cucharadas en un cuarto de galón [26 g en 0.95 L] de agua). |
| Revestimiento y empaque de las puertas | <ul style="list-style-type: none"> ■ No use ceras de limpieza, detergentes concentrados, blanqueadores o limpiadores conteniendo petróleo en las partes plásticas. |
| Partes plásticas (tapas y paneles) | <ul style="list-style-type: none"> ■ No use toallas de papel, aerosoles para ventanas, limpiadores o líquidos inflamables. Estos pueden dañar el material. |
| Serpentines del condensador | <ul style="list-style-type: none"> ■ Quitar la rejilla de la base. (Ver sección "Rejilla de la base".) ■ Use una aspiradora con extensión para limpiar los serpentines del condensador. ■ Aspire los serpentines cuando están sucios o con polvo. Los serpentines pueden necesitar limpieza tan seguido como mes por medio. ■ Vuelva a colocar la rejilla de la base. |

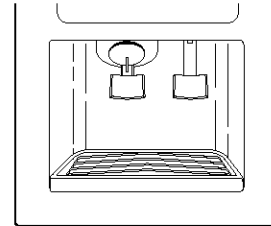
Cómo cambiar los focos

NOTA: No todos los focos de los aparatos electrodomésticos son adecuados para su refrigerador. Asegúrese de cambiar un foco con otro que sea del mismo tamaño y forma.

Focos del refrigerador

Luz del área del despachador:

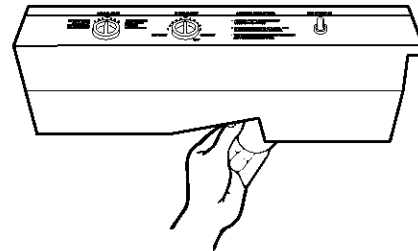
1. Desenchufe el refrigerador o desconecte el suministro de energía.
2. Saque el foco del área del despachador.



3. Reemplace el foco con uno para servicio pesado de 10 Watts, que se puede comprar con su distribuidor.
4. Enchufe el refrigerador o reconecte el suministro de energía.

Luz detrás del panel de control:

1. Desenchufe el refrigerador o desconecte el suministro de energía.
2. Saque el foco que está detrás del panel de control.
3. Reemplácelo con un foco para aparatos electrodomésticos de 40 Watts.

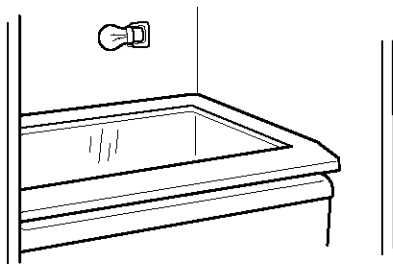


4. Enchufe el refrigerador o reconecte el suministro de energía.

Luz del cajón de legumbres (en algunos modelos):

1. Desenchufe el refrigerador o desconecte el suministro de energía.
2. Tire de la parte superior de la pantalla de la luz hacia adelante hasta que se desenganche y bájela para ver el foco.

3. Reemplácelo con un foco para aparatos electrodomésticos de 40 Watts.



4. Tire de la parte superior de la pantalla de la luz hacia adelante y engánchela de los soportes de la pared lateral.
5. Enchufe el refrigerador o reconecte el suministro de energía.

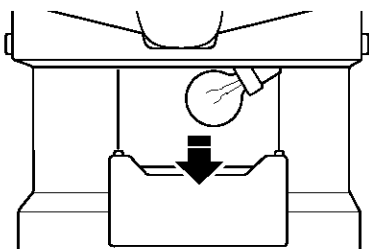
Cómo sacar la cubierta protectora de la luz para limpiarla:

1. Quite el cajón de legumbres y la tapa.
2. Suelte la parte de abajo de la cubierta de los soportes inferiores de la pared lateral.
3. Quite la cubierta protectora de la luz de arriba de la cubierta del cajón de legumbres y lávela con agua tibia y detergente líquido.
4. Enjuague y seque la cubierta.
5. Repóngala en el orden inverso.

Focos del congelador

La luz que está debajo del depósito de hielo:

1. Desenchufe el refrigerador o desconecte el suministro de energía.
2. Empuje hacia adentro los lados de la pantalla de la luz y tire hacia abajo hasta que se desenganche.

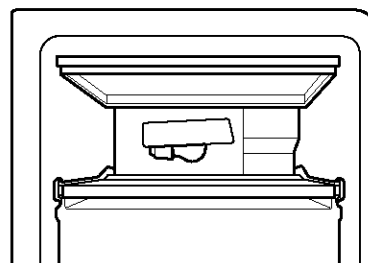


3. Reemplace el foco con un foco para aparatos electrodomésticos de 40 Watts.
4. Vuelva a colocar la pantalla de la luz.
5. Enchufe el refrigerador o reconecte el suministro de energía.

Luz superior del congelador (en algunos modelos):

1. Desenchufe el refrigerador o desconecte el suministro de energía.
2. Saque la pantalla de la luz sujetándola por la parte superior central y tire hacia adelante mientras inclina la pantalla ligeramente hacia un lado.

3. Reemplace el foco con un foco para aparatos electrodomésticos de 40 Watts.



4. Vuelva a colocar la pantalla de la luz sujetando la parte central de la pantalla e insertando las lengüetas en un extremo de los orificios ranurados en el revestimiento interno del congelador. Luego doble con cuidado la pantalla por el centro para insertar las lengüetas en el otro extremo.
5. Enchufe el refrigerador o reconecte el suministro de energía.

Cortes de corriente

Si hay un corte de luz en su casa, llame a la compañía de electricidad y pregunte cuanto va a durar.

1. Si no va a haber electricidad por **24 horas o menos, mantenga las dos puertas del refrigerador cerradas** para que los alimentos se mantengan fríos y congelados.
2. Si el corte de electricidad dura **más de 24 horas:**
 - a) Saque todos los alimentos congelados y guárdelos y póngalos en una conservadora de comida congelada.

○

 - b) Ponga 2 libras (907 g) de hielo seco en el congelador por cada pie cúbico (28 litros) de espacio en su congelador. Esto mantendrá los alimentos congelados por 2 - 4 días. Use guantes para protegerse de quemaduras cuando toque el hielo seco.

○

 - c) Si no tiene conservadora de alimentos ni hielo seco, use todos los alimentos perecederos de una vez o póngalos en latas.

RECUERDE: Un congelador lleno se mantiene frío por más tiempo que uno a medio llenar. Un congelador lleno de carne se mantiene frío por más tiempo que uno lleno de comida cocida. Si Ud. ve que los alimentos contienen cristales de hielo, se pueden volver a congelar, pero la calidad y el sabor pueden afectarse. Si el alimento no está en buenas condiciones, o si Ud. no se siente seguro, descártelo.

Cuidado durante las vacaciones y mudanzas

Vacaciones

Si Ud. decide dejar el refrigerador funcionando mientras está ausente, siga las instrucciones para preparar el refrigerador antes de irse.

1. Use todos los artículos perecederos y congele el resto.
2. Si su refrigerador tiene fábrica de hielo automática:
 - Levante la palanca de la fábrica de hielo a la posición OFF (hacia arriba).
 - Cierre el suministro de agua a la fábrica de hielo.
3. Vacíe el recipiente de hielo.

Si Ud. decide apagar el refrigerador antes de irse, siga los pasos siguientes.

1. Saque toda la comida del refrigerador.
2. Si su refrigerador tiene fábrica de hielo automática:
 - Cierre el suministro de agua a la fábrica de hielo por lo menos un día antes.
 - Cuando la última tanda de hielo haya bajado, levante la palanca de la fábrica de hielo a la posición OFF (hacia arriba).
3. Coloque el Control del Termostato (o Control del Refrigerador dependiendo del modelo) en la posición OFF (apagado).
4. Limpie el refrigerador, pase un trapo y séquelo bien.
5. Fije bloques de goma o de madera con cinta adhesiva a ambas puertas para que queden abiertas y el aire circule. Esto evita que se formen olores y que crezcan hongos.

Mudanza

Si Ud. muda su refrigerador a una casa nueva, siga los siguientes pasos para prepararse para la mudanza.

1. Si su refrigerador tiene fábrica automática de hielo:
 - Cierre el suministro de agua a la fábrica de hielo por lo menos un día antes.
 - Desconecte la tubería de agua de atrás del refrigerador.
 - Cuando la última tanda de hielo haya bajado, levante la palanca de la fábrica de hielo a la posición OFF (hacia arriba).
2. Saque toda la comida del refrigerador y empaque todos los alimentos congelados en hielo seco.
3. Apague el control del termostato (o el control de refrigerador, dependiendo del modelo).
4. Desenchufe el refrigerador.

5. Saque el agua de la bandeja colectora.
6. Limpie, pase un trapo y seque bien.
7. Saque todas las partes desmontables, envuélvalas bien y asegúrelas con cinta adhesiva para que no se sacudan durante la mudanza.
8. Levante la parte delantera del refrigerador para que pueda rodar con facilidad. Vea la sección "Cierre de la puerta."
9. Sostenga las puertas cerradas y el cable con cinta adhesiva.

Cuando llega a la casa nueva, ponga todo de nuevo y lea la sección "Cómo instalar su refrigerador". Además, si su refrigerador tiene fábrica de hielo automática, recuerde volver a conectar el suministro de agua al refrigerador.

LOCALIZACIÓN Y REPARACIÓN DE AVERÍAS

Siga las sugerencias que aparecen a continuación para intentar evitar el costo de una llamada “para servicio innecesaria”.

Su refrigerador no funciona

- **El cable eléctrico está desconectado.**
Conecte con firmeza el cordón en un tomacorriente activo con el voltaje debido.
 - **Se quemó un fusible de la casa o se disparó un disyuntor.**
Reemplace el fusible o reposicione el disyuntor.
 - **El control del termostato está en la posición “OFF” (Apagado).**
Vea la sección “Cómo programar los controles”.
 - **El refrigerador se está descongelando.**
En 30 minutos vuelva a revisar si el refrigerador está funcionando. Su refrigerador activa regularmente un ciclo de descongelación automática.
-

Las luces no funcionan

- **El cable eléctrico está desconectado.**
Conecte con firmeza el cordón en un tomacorriente activo con el voltaje debido.
 - **Está flojo un foco.**
Ponga el control del termostato en “OFF” (Apagado). Desconecte el refrigerador del suministro de energía. Saque con cuidado el foco y vuelva a insertarlo. Luego vuelva a conectar el refrigerador al suministro de energía y reposicione el control del refrigerador.
 - **Se ha quemado un foco.**
Reemplácelo con un foco para electrodomésticos del mismo wattaje, tamaño y forma. Vea la sección “Cómo cambiar los focos”.
-

Hay agua en la bandeja recolectora de agua

- **El refrigerador se está descongelando.**
El agua se evaporará. Es normal que caigan gotas de agua en la bandeja recolectora de agua.
 - **Está más húmedo que lo normal.**
El agua en la bandeja recolectora tarda más en evaporarse. Esto es normal cuándo hace calor o hay humedad.
-

Parece que el motor funciona excesivamente

- **La habitación está más caliente que lo normal.**
En condiciones de calor, el motor funciona por períodos más largos. Cuando la temperatura ambiente es normal, el motor funciona entre 40% al 80% del tiempo. Si la habitación está caliente, puede funcionar por más tiempo.
 - **Se acaba de agregar una gran cantidad de alimentos al refrigerador.**
Agregar grandes cantidades de alimentos hace que se caliente el refrigerador. Es normal que el motor funcione por períodos más prolongados para mantener la refrigeración. Vea la sección “Guía de conservación de los alimentos.”
 - **La puerta se ha abierto muy a menudo.**
Cuando esto ocurre, el motor puede funcionar por períodos más largos. Para ahorrar energía, trate de sacar todo lo que necesita del refrigerador de una sola vez, mantenga los alimentos organizados de manera que sea fácil encontrarlos y cierre la puerta inmediatamente después de sacarlos.
 - **Los controles no han sido ajustados correctamente de acuerdo con las condiciones circundantes.**
Vea la sección “Cómo funcionan los controles”.
 - **Las puertas no están completamente cerradas.**
Cierre las puertas con firmeza. Si no cierran completamente, vea “Las puertas no cierran completamente” más adelante en esta sección.
 - **Los serpentines del condensador están sucios.**
Esto impide la transferencia del aire y hace que el motor trabaje más. Limpie los serpentines del condensador. Vea la sección “Limpieza del refrigerador”.
 - **Las empaquetaduras de la puerta no están selladas completamente.**
Llame a una persona calificada o a un técnico.
- NOTA:** Si el problema no se debe a ninguna de las alternativas indicadas más arriba, recuerde que su nuevo refrigerador funcionará por períodos más largos que su refrigerador anterior debido al motor de alto rendimiento.
-

El refrigerador parece hacer mucho ruido

- **Los sonidos y ruidos son frecuentes en los refrigeradores nuevos.**
Consulte la sección “Cómo interpretar los sonidos provenientes de su refrigerador”.
-

La fábrica de hielo no produce hielo

- **El congelador no está lo suficientemente frío para hacer hielo.**
Espere 24 horas después de haber conectado la fábrica de hielo para que se produzca hielo. Vea la sección "Cómo programar los controles".
- **La palanca de la fábrica de hielo está hacia arriba en la posición de "OFF" (Apagado).**
Baje la palanca a la posición "ON" (Encendido) (hacia abajo). Vea la sección "Cómo usar la fábrica de hielo".
- **La válvula de cierre de la tubería del agua al refrigerador no está abierta.**
Abra la válvula de cierre. Vea la sección "Cómo fijar la fábrica de hielo al suministro de agua".
- **Un cubo de hielo se trabó en el brazo eyector.**
Saque el hielo del brazo eyector con un utensilio plástico. Vea la sección "Cómo usar la fábrica de automática de hielo".
- **El molde de la fábrica de hielo no tiene agua o no ha producido hielo.**
Verifique si su refrigerador ha sido conectado al suministro de agua de su casa y si la válvula de cierre está abierta. Vea la sección "Cómo fijar la fábrica de hielo al suministro de agua".

NOTA: Si el problema no se debe a ninguna de las alternativas indicadas, puede haber un problema en la tubería de agua. Llame solicitando servicio.

La fábrica de hielo produce muy poco hielo

- **La fábrica de hielo se acaba de instalar.**
Deje transcurrir 72 horas para que la fábrica de hielo comience a producir hielo. Una vez que su refrigerador se ha enfriado, la fábrica de hielo debe empezar a producir de 70 a 120 cubos cada 24 horas.
- **Se ha sacado una gran cantidad de hielo.**
Deje transcurrir 24 horas para que la fábrica de hielo se restablezca.
- **Los controles no han sido ajustados correctamente.**
Vea la sección "Cómo programar los controles".
- **La válvula de cierre no está completamente abierta.**
Abra completamente la válvula. Vea la sección "Cómo fijar la fábrica de hielo al suministro de agua".
- **Se instaló un filtro de agua en el refrigerador. Este filtro puede estar obstruido o haberse instalado incorrectamente.**
Primero revise las instrucciones de instalación del filtro para asegurarse de que el filtro fue instalado correctamente y no está obstruido. Si la instalación es correcta y no hay obstrucciones, llame a una persona calificada o a un técnico.

El hielo tiene mal sabor, mal olor o un color grisáceo

- **Las conexiones de plomería son nuevas, lo que produce hielo descolorido o de mal sabor.**
Deseche los primeros lotes de hielo.
- **Los cubos de hielo han estado guardados por mucho tiempo.**
Tire los cubos de hielo viejos y obtenga un nuevo lote.
- **Los alimentos en el congelador no han sido envueltos debidamente.**
Vea la sección "Guía para almacenar alimentos".
- **El congelador y el depósito de hielo necesitan limpieza.**
Vea la sección "Limpieza de su refrigerador".
- **El agua contiene minerales (como el azufre).**
Podría ser necesario instalar un filtro para eliminar los minerales.
- **Tiene un filtro de agua instalado en su refrigerador**
Un descolorimiento o un color gris del hielo indican que el sistema de filtrado de agua necesita enjuagarse más. Haga correr más agua a través del despachador de agua para enjuagar el sistema de filtrado de agua con mayor cuidado (inicialmente, de 2-3 galones (7,5-11L) o por 6 a 7 minutos). Deseche el hielo descolorido.

El despachador de hielo no funciona debidamente

- **La puerta del congelador no está cerrada completamente.**
Cierre la puerta con firmeza. Si no se cierra completamente, vea "La puerta del congelador no cierra completamente" más adelante en esta sección.
- **El depósito de hielo no está instalado correctamente.**
Empuje el depósito de hielo completamente hasta el fondo. Si el depósito de hielo no llega hasta el fondo, puede ser que no esté derecho. Sáquelo y vuelva a empujarlo.
- **Se usó hielo incorrecto en el depósito.**
Use únicamente el hielo producido por su fábrica de hielo actual. Si ha introducido otro tipo de hielo, saque todos los cubos y revise que no se haya atascado ninguno en el conducto de salida.
- **El hielo se congeló en el depósito.**
Agite el depósito para que se separen los cubos. Si no se separan, vacíe el depósito y deje transcurrir 24 horas para que se vuelva a llenar de hielo.

■ **El hielo se ha derretido alrededor de la espiral metálica en el balde del hielo.**

Descarte los cubos de hielo y limpie bien el balde. Deje transcurrir 24 horas para que se vuelva a llenar de hielo. No trate de quitar el hielo derretido con un objeto afilado. Puede dañar el balde.

■ **Hay hielo atascado en el conducto de salida.**

Quite el hielo del conducto de salida con un utensilio de plástico. No use ningún objeto afilado. Puede dañar la unidad.

■ **No hay hielo en el balde.**

Vea “La fábrica de hielo no produce hielo” anteriormente en esta sección.

■ **El brazo de control se mantuvo oprimido por mucho tiempo.**

Cuando el brazo se mantiene oprimido mucho tiempo, se interrumpe la distribución de hielo. Espere tres minutos para que el motor del despachador se reposicione antes de usarlo de nuevo. (En el futuro, cuando necesite grandes cantidades de hielo, sáquelas directamente de la fábrica de hielo para no mantener el brazo de control oprimido mucho tiempo).

El despachador de agua no funciona debidamente

■ **La puerta del congelador no está cerrada completamente.**

Cierre la puerta con firmeza. Si no se cierra completamente, vea “Las puertas no cierran completamente” más adelante en esta sección.

■ **El tanque no se ha llenado.**

El tanque del agua debe llenarse la primera vez que se usa. Oprima la barra del despachador de agua con un recipiente grande hasta que obtenga de 1,9L a 2,8L (2 a 3 cuartos de galón) de agua. Descarte el agua. (Para más instrucciones sobre cómo llenar el tanque de agua, vea “Cómo usar los despachadores de agua y hielo”).

■ **La válvula de cierre de agua no está abierta o la tubería del agua no está conectada en la fuente.**

Verifique si la válvula de cierre del agua está abierta y la fuente de agua está conectada al refrigerador. Para instrucciones, vea la sección “Cómo fijar al suministro de agua el refrigerador”.

■ **La válvula de cierre del agua está atascada o no fue instalada correctamente.**

Consulte “Cómo fijar al suministro de agua el refrigerador”. Solicite servicio o llame a un plomero.

■ **Hay un estrechamiento en la tubería de agua de la casa.**

Si sospecha que hay un estrechamiento en la tubería del agua, solicite servicio.

■ **Se instaló un filtro de agua en el refrigerador. Este filtro puede estar obstruido o haberse instalado incorrectamente.**

Primero revise las instrucciones de instalación del filtro para asegurarse de que el filtro fue instalado correctamente y no está obstruido. Si la instalación es correcta y no hay obstrucciones, solicite servicio.

Hay filtración de agua o hielo en el despachador

■ **El vaso se retira muy pronto del despachador, lo que hace que el hielo se derrame.**

Sostenga el recipiente debajo del conducto de hielo dos o tres segundos después de soltar la palanca del despachador. Puede que salga un poco de hielo después de soltar la palanca.

■ **El vaso se retira muy pronto del despachador de agua, lo que hace que el agua gotee.**

Sostenga el recipiente debajo del despachador de agua dos o tres segundos después de soltar la palanca del despachador. Puede que salga un poco de agua durante ese tiempo.

■ **Se ha atascado un cubo de hielo en el conducto y mantiene abierta la escotilla.**

Quite el cubo.

■ **Tiene un filtro de agua instalado en su refrigerador**

El sistema de filtrado de agua pudiera tener aire en sus líneas, lo que ocasionaría que gotee el agua. Se puede eliminar el aire en la línea con enjuagues adicionales. El uso normal del dispensador debería eliminar el aire de las líneas en un período de 24 horas a 72 horas.

El agua del despachador no está lo suficientemente fría

■ **El refrigerador acaba de ser instalado.**

Deje transcurrir 24 horas para que el tanque se enfríe completamente.

■ **Se ha distribuido recientemente una gran cantidad de agua.**

Deje transcurrir 24 horas para que el tanque se enfríe completamente.

■ **No se ha usado el despachador de agua recientemente.**

Puede ser que el primer vaso de agua no esté frío. Descarte el agua del primer vaso.

El divisor entre los dos compartimientos está caliente

- Probablemente el calor se debe al funcionamiento normal del control automático de humedad exterior. Si sigue teniendo problemas, solicite servicio.

La temperatura está muy caliente

- **Los orificios de ventilación están bloqueados en cualquiera de los compartimientos. Esto impide la circulación del aire frío del congelador a limpie refrigerador.**
Saque todos los objetos que bloquean los orificios de ventilación. Vea la ubicación de estos orificios en la sección "Cómo asegurar la debida circulación del aire."
- **La(s) puerta(s) se ha(n) abierto muy a menudo.**
Tenga en cuenta que el refrigerador se calienta cuando esto ocurre. Para mantener el refrigerador frío, trate de sacar todo lo que necesita del refrigerador de una sola vez, mantenga los alimentos organizados de manera que sea fácil encontrarlos y cierre la puerta inmediatamente después de sacarlos.
- **Se agregó una gran cantidad de alimentos en el refrigerador o en el congelador.**
Agregar grandes cantidades de alimentos calienta el refrigerador. Pueden transcurrir varias horas para que el refrigerador recupere su temperatura normal.
- **Los controles no han sido ajustados correctamente de acuerdo con las condiciones circundantes.**
Vea la sección "Cómo funcionan los controles".

Hay acumulación de humedad en el interior

- **Los orificios de aire están bloqueados en el refrigerador.**
Saque todos los objetos que bloquean los orificios de ventilación. Vea la ubicación de los orificios en la sección "Cómo asegurar la debida circulación del aire".
- **La puerta se abre con frecuencia.**
Para evitar la acumulación de humedad, trate de sacar todo lo que necesita del refrigerador de una sola vez, mantenga los alimentos organizados para que sea fácil encontrarlos y cierre la puerta inmediatamente después de sacarlos. (Cuando se abre la puerta, la humedad del aire exterior entra en el refrigerador. Cuanto más se abra la puerta, más acumulación de humedad habrá, especialmente si la habitación es muy húmeda)
- **La habitación está húmeda.**
Es normal que se acumule humedad dentro del refrigerador cuando el aire exterior está húmedo.
- **Los alimentos no están envueltos correctamente.**
Verifique que todos los alimentos estén bien envueltos. Si fuera necesario, envuélvalos de nuevo, de acuerdo con las indicaciones de la sección "Guía de conservación de los alimentos". Seque los recipientes húmedos antes de colocarlos en el refrigerador.
- **Los controles no han sido ajustados correctamente de acuerdo con las condiciones circundantes.**
Vea la sección "Cómo funcionan los controles".
- **Se completó un ciclo de descongelación automática.**
Es normal que se formen gotitas en la pared trasera del refrigerador cuando éste se descongela automáticamente.

Las puertas no cierran completamente

- **Paquetes de comida impiden que se cierre la puerta.**
Ordene los recipientes de manera que queden más juntos y ocupen menos espacio.
- **El depósito de hielo está mal colocado.**
Empuje el depósito de hielo hasta el fondo.
- **Las bandejas, parrillas, cubetas o canastillas están mal colocadas.**
Coloque la tapa del cajón de legumbres y todas las bandejas, parrillas y canastillas en la posición correcta. Para más información, vea la sección "Cajón de legumbres y tapa del cajón de legumbres".
- **Las empaquetaduras están pegajosas.**
Limpie las empaquetaduras y aplíqueles cera de parafina, según las instrucciones de la sección "Limpieza de su refrigerador".
- **El refrigerador se balancea o no está nivelado.**
Nivele el refrigerador. Vea la sección "Cierre de la Puerta".
- **Las puertas fueron desmontadas durante la instalación de la unidad y no se volvieron a instalar correctamente.**
Quite y vuelva a colocar las puertas de acuerdo con la sección "Cómo quitar las puertas", o llame a una persona calificada.

Es difícil abrir las puertas

- **Las empaquetaduras están sucias o pegajosas.**
Limpie las empaquetaduras empaques de acuerdo con las instrucciones en la sección "Limpieza de su refrigerador".

El flujo de agua del despachador de agua disminuye notablemente

- **Se instaló un filtro de agua en el refrigerador. Este filtro puede estar obstruido o haberse instalado incorrectamente.**
Quite el cartucho del filtro de agua (ver la sección "Sistema de filtración de agua"). Haga funcionar al dispensador y si aumenta notablemente el flujo de agua, su filtro está lleno y debe ser reemplazado.

CONTRATO DE MANTENIMIENTO SEARS

“Le damos servicio a lo que vendemos” es nuestro compromiso con usted para que pueda depender de Sears para el servicio. Su aparato electrodoméstico Kenmore tiene un valor agregado, si usted considera que Sears tiene unidades de servicio por todo el país, con técnicos entrenados por Sears - técnicos profesionales que han sido especialmente entrenados para dar servicio a los aparatos electrodomésticos que vende Sears. Ellos cuentan con los conocimientos y las habilidades, las herramientas, las refacciones y el equipo para asegurar nuestra promesa a usted que “Le damos servicio a lo que vendemos”.

Contrato de mantenimiento Sears

Preserve el valor de su compra mediante un contrato de mantenimiento. Los aparatos electrodomésticos Kenmore están diseñados, fabricados y comprobados para darle años de operación fiable. No obstante, cualquier aparato electrodoméstico puede requerir servicio de vez en cuando. El contrato de mantenimiento Sears le ofrece un programa de servicio sobresaliente para sus productos.

El contrato de mantenimiento Sears

- Es el modo mediante el cual usted compra los servicios del día de mañana a los precios de hoy.
- Elimina las cuentas de reparaciones que resultan de un uso normal.
- Permite todas las llamadas de servicio que usted necesite.
- A su solicitud, le proporciona una comprobación anual de mantenimiento preventivo para mantener a su aparato electrodoméstico Kenmore funcionando en las mejores condiciones de operación.

Para más información, llamar al 1-800-827-6655.

CERTIFICACIÓN DE FILTROS DE AGUA

Hoja de datos del producto

Sistema de Filtrado de Agua Modelo NLC-250



Este producto ha sido aprobado y certificado por NSF Internacional, según la norma 42 ANSI/NSF para reducción de cloro, sabor y olor (Clase I) y reducción de partículas contaminantes (Clase I) y bajo la norma 53 para la reducción de quistes, turbidez y plomo.

Especificaciones: Reducción de Plomo, partículas contaminantes (Clase I), quistes, turbidez y sabor/olor/cloro (Clase I).

946 litros (250 galones)

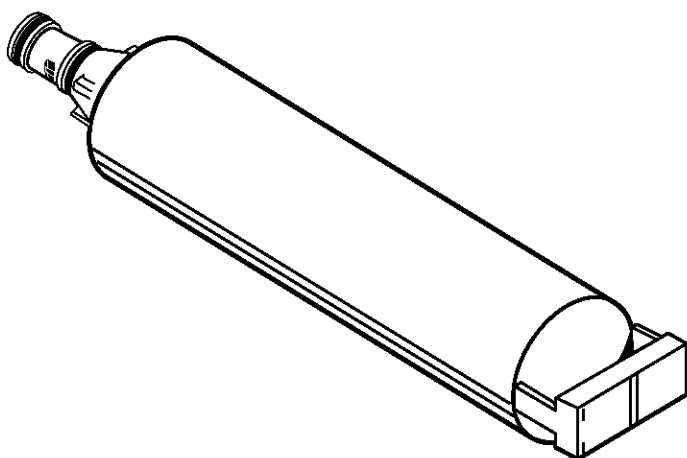
Tasa de flujo de servicio 0,5 gpm (1,89 L/min) @ 60 lbs/pulg²

| Reducción de sustancias Efectos estéticos | Promedio influente | Máximo efluente | Promedio efluente | Mínimo % de reducción | Promedio % de reducción | Requerimiento de prueba NSF |
|--|-------------------------|-----------------|-------------------|-----------------------|-------------------------|-----------------------------------|
| Cloro | 1,9 mg/L | N/A | 0,04 mg/L | N/A | 97,9% | mínimo 75% de reducción (Clase I) |
| Particulates contaminates | 610,000/mL [†] | N/A | 154/mL | N/A | 99,97% | mínimo 85% de reducción (Clase I) |

| Reducción de sustancias Efectos en la salud | U.S. EPA MCL | Promedio influente | Máximo efluente | Promedio efluente | Mínimo % de reducción | Promedio % de reducción | Requerimiento de prueba NSF |
|--|--------------|-------------------------|-----------------|-------------------|-----------------------|-------------------------|-----------------------------|
| Quistes | 99,95% | 89,250/mL [†] | 6/mL | 2,3/mL | 99,993% | 99,997% | mínimo 99,95% de reducción |
| Turbidez | 0.5 NTU | 29 NTU | 0,12 NTU | 0,09 NTU | 99,95% | 99,69% | máximo efluente 1,0 NTU |
| Plomo @ pH 6,5 | 0,015 mg/L | 0,16 mg/L ^{††} | 0,001 mg/L | 0,001 mg/L | 99,4% | 99,4% | máximo efluente 0,015 mg/L |
| Plomo @ pH 8,5 | 0,015 mg/L | 0,16 mg/L ^{††} | 0,002 mg/L | 0,001 mg/L | 98,8% | 99,4% | máximo efluente 0,015 mg/L |

[†] El requerimiento de prueba es de cuando meno 10,000 partículas/mL de Polvo Fino de Prueba AC.

^{††} El requerimiento de prueba es 0,15 mg/L ± 10%. Esto contaminantes no se encuentran necesariamente en su suministro. El desempeño puede variar dependiendo de las condiciones del agua local.



Pautas de aplicación/ Parámetros de suministro de agua

| | |
|----------------------|--|
| Suministro de agua | Municipal o de pozo |
| Presión del agua | 30-120 lbs/pulg ² (207-827 kPa) |
| Temperatura del agua | 33°-100°F (0,6°-37,8°C) |

- Es esencial que los requerimientos de operación, mantenimiento y reemplazo del filtro se lleven a cabo para que este producto se desempeñe tal como se ofrece en la publicidad.
- Cambie el cartucho cuando menos 6 a 9 meses. Use el cartucho de repuesto pieza #NLC-250 ó 4392922. El precio sugerido de venta al por menor es de \$39.95 U.S.A./\$49.95 Canadá.
- El producto es para uso con agua fría únicamente.
- No usar con agua que no sea microbiológicamente segura o de calidad desconocida sin desinfectaria adecuadamente antes o después del sistema. Aquellos sistemas certificados para la reducción de quistes pueden usarse con agua desinfectada que pudiera contener quistes filtrables.

Hoja de datos del producto

Sistema de Filtrado de Agua Modelo LC-400



Este producto ha sido aprobado y certificado por NSF Internacional, según la norma 42 ANSI/NSF para reducción de cloro, sabor y olor (Clase I) y reducción de partículas contaminantes (Clase I) y bajo la norma 53 para la reducción de quistes, turbidez y plomo.

Especificaciones: Reducción de Plomo, partículas contaminantes (Clase I), quistes, turbidez y sabor/olor/cloro (Clase I)

1514 litros (400 galones)

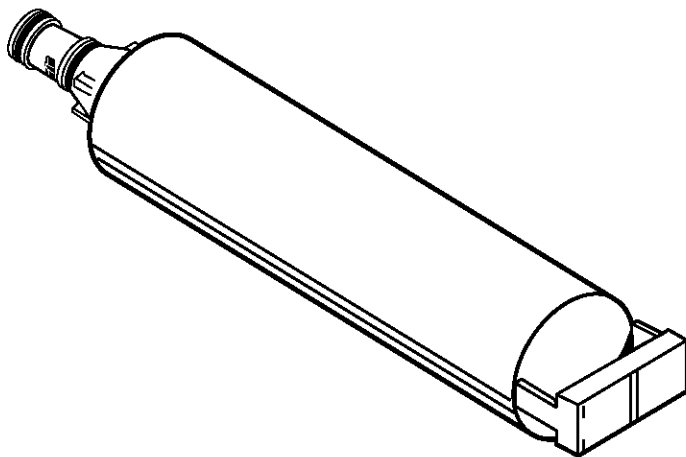
Tasa de flujo de servicio 0,5 gpm (1,89 L/min) @ 60 lbs/pulg²

| Reducción de sustancias Efectos estéticos | Promedio influente | Máximo efluente | Promedio efluente | Mínimo % de reducción | Promedio % de reducción | Requerimiento de prueba NSF |
|--|-------------------------|-----------------|-------------------|-----------------------|-------------------------|-----------------------------------|
| Cloro | 2,0 mg/L | N/A | 0,04 mg/L | N/A | 98% | mínimo 75% de reducción (Clase I) |
| Partículas contaminantes | 610,000/mL [†] | N/A | 154/mL | N/A | 99% | mínimo 85% de reducción (Clase I) |

| Reducción de sustancias Efectos en la salud | U.S. EPA MCL | Promedio influente | Máximo efluente | Promedio efluente | Mínimo % de reducción | Promedio % de reducción | Requerimiento de prueba NSF |
|--|--------------|-------------------------|-----------------|-------------------|-----------------------|-------------------------|-----------------------------|
| Quistes | 99,95% | 89,250/mL [†] | 6/mL | 2,3/mL | 99,993% | 99,997% | mínimo 99,95% de reducción |
| Turbidez | 0.5 NTU | 29 NTU | 0,12 NTU | 0,09 NTU | 99,59% | 99,69% | máximo efluente 1,0 NTU |
| Plomo @ pH 6,5 | 0,015 mg/L | 0,16 mg/L ^{††} | 0,001 mg/L | 0,001 mg/L | 99,4% | 99,4% | máximo efluente 0,015 mg/L |
| Plomo @ pH 8,5 | 0,015 mg/L | 0,16 mg/L ^{††} | 0,002 mg/L | 0,001 mg/L | 98,8% | 99,4% | máximo efluente 0,015 mg/L |

[†] El requerimiento de prueba es de cuando meno 10,000 partículas/mL de Polvo Fino de Prueba AC.

^{††} El requerimiento de prueba es 0,15 mg/L ± 10%. Esto contaminantes no se encuentran necesariamente en su suministro. El desempeño puede variar dependiendo de las condiciones del agua local.



Pautas de aplicación/ Parámetros de suministro de agua

| | |
|----------------------|--|
| Suministro de agua | Municipal o de pozo |
| Presión del agua | 30-120 lbs/pulg ² (207-827 kPa) |
| Temperatura del agua | 33°-100°F (0,6°-37,8°C) |

- Es esencial que los requerimientos de operación, mantenimiento y reemplazo del filtro se lleven a cabo para que este producto se desempeñe tal como se ofrece en la publicidad.
- Cambie el cartucho cuando menos 6 a 9 meses. Use el cartucho de repuesto pieza #LC-400 ó 4392922. El precio sugerido de venta al por menor es de \$39.95 U.S.A./\$49.95 Canada
- El producto es para uso con agua fría únicamente.
- No usar con agua que no sea microbiológicamente segura o de calidad desconocida sin desinfectaria adecuadamente antes o después del sistema. Aquellos sistemas certificados para la reducción de quistes pueden usarse con agua desinfectada que pudiera contener quistes filtrables.

® NSF es una marca comercial registrada de NSF Internacional

Hoja de Datos del Producto

Sistema de Filtrado de Agua Modelo NLC-500



Este producto ha sido probado y certificado por NSF Internacional, según la norma 42 ANSI/NSF para reducción de cloro (Clase I), sabor y olor y la norma 53 para reducción de plomo.

Especificaciones: Capacidad de reducción de plomo y de sabor/olor y cloro (Clase I)

1893 litros (500 galones)

Tasa de flujo de servicio 0,5 gpm (1,89 L/min) @ 60 lbs/pulg²

| Desempeño general | Promedio influente | Máximo efluente | Promedio efluente | Mínimo % de reducción | Promedio % de reducción | Requisito de prueba NSF |
|-------------------|--------------------|-----------------|-------------------|-----------------------|-------------------------|-----------------------------------|
| Cloro | 2,0 mg/L | N/A | 0,1 mg/L | N/A | 95% | mínimo 75% de reducción (Clase I) |

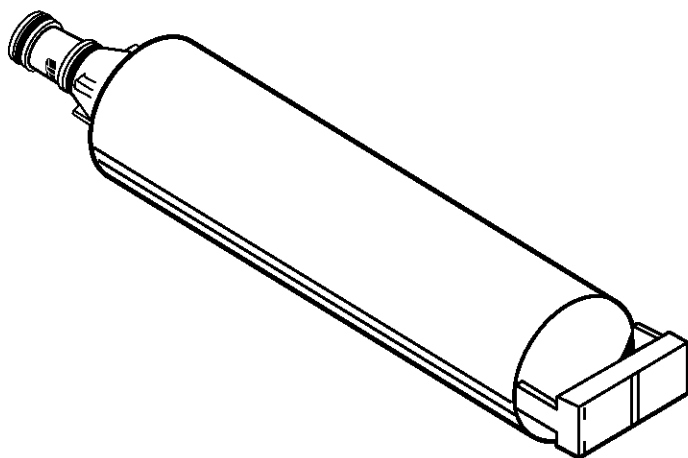
| Desempeño en reducción de contaminantes ^{††} | U.S. EPA MCL | Promedio influente | Máximo efluente | Promedio efluente | Mínimo % de reducción | Promedio % de reducción | Requisito de prueba NSF |
|---|--------------|------------------------|-----------------|-------------------|-----------------------|-------------------------|----------------------------|
| Plomo @ pH 6,5 | 0,015 mg/L | 0,16 mg/L [†] | 0,007 mg/L | 0,005 mg/L | 95.6% | 96.8% | máximo efluente 0,015 mg/L |
| Plomo @ pH 8,5 | 0,015 mg/L | 0,14 mg/L [†] | 0,012 mg/L | 0,008 mg/L | 91.4% | 94.3% | máximo efluente 0,015 mg/L |

[†] El requerimiento de prueba es 0,15 mg/L ± 10%. ^{††} Estos contaminantes no se encuentran necesariamente en su suministro. El desempeño puede variar dependiendo de las condiciones del agua local.

Pautas de aplicación/ Parámetros de suministro de agua

| | |
|----------------------|--|
| Suministro de agua | Municipal o de pozo |
| Presión del agua | 30-120 lbs/pulg ² (207-827 kPa) |
| Temperatura del agua | 33°-100°F (0,6°-37,8°C) |

- Es esencial que los requerimientos de operación, mantenimiento y reemplazo del filtro se lleven a cabo para que este producto se desempeñe tal como se ofrece en la publicidad.
- El sistema de control del filtro mide la cantidad de agua que pasa a través del filtro y le avisa que debe reemplazarlo. Cuando se ha usado el 90% de la duración nominal del filtro, la luz indicadora del filtro cambia de verde a amarillo. Cuando se ha usado el 100% de la duración nominal del filtro, la luz indicadora del filtro cambia de amarillo a rojo y se le recomienda reemplazar el filtro. Use el cartucho de repuesto pieza NLC-500 or 4392857. El precio sugerido de venta al por menor es \$29.95 U.S.A/\$39.95 Canada.
- El producto es para uso con agua fría únicamente.
- No usar con agua que no sea microbiológicamente segura o de calidad desconocida sin desinfectaria adecuadamente antes o después del sistema.



® NSF es una marca comercial registrada de NSF Internacional

ESPAÑOL

TABLE DES MATIÈRES

| | |
|--|----|
| GARANTIE | 64 |
| SÉCURITÉ DU RÉFRIGÉRATEUR | 65 |
| PIÈCES ET CARACTÉRISTIQUES | 66 |
| INSTALLATION DU RÉFRIGÉRATEUR | 67 |
| Déballage de votre réfrigérateur | 67 |
| Espacement requis | 67 |
| Spécifications électriques..... | 68 |
| Enlèvement des portes..... | 68 |
| Enlèvement des poignées des portes | 69 |
| Préparation du système d'eau | 69 |
| Raccordement du réfrigérateur à une canalisation d'eau..... | 70 |
| Grille de la base | 71 |
| Les bruits de l'appareil que vous pouvez entendre | 72 |
| UTILISATION DU RÉFRIGÉRATEUR | 73 |
| Pour s'assurer d'une circulation d'air appropriée..... | 73 |
| Réglage des commandes..... | 73 |
| Réglage des commandes d'ajustement | 74 |
| Guide d'entreposage des aliments | 74 |
| CARACTÉRISTIQUES DU RÉFRIGÉRATEUR | 76 |
| Bac d'entreposage de la machine à glaçons..... | 76 |
| Distributeurs d'eau et de glaçons | 76 |
| Système de filtration et de contrôle d'eau | 78 |
| Tablettes du réfrigérateur | 79 |
| Tablette latérale | 80 |
| Tiroir et couvercle convertibles pour légumes/viande ... | 81 |
| Réglage de la température convertible du tiroir de légumes/viande | 81 |
| Bac à légumes et couvercle | 82 |
| Réglage de l'humidité dans les bacs à légumes..... | 82 |
| Extension du couvercle du bac à légumes | 82 |
| Casier pour petits aliments..... | 83 |
| Tringles dans la porte | 83 |
| Compartiments dans la porte..... | 83 |
| Cueillette de congélateur..... | 83 |
| Panier du congélateur..... | 84 |
| ENTRETIEN DE VOTRE RÉFRIGÉRATEUR | 84 |
| Nettoyage du réfrigérateur | 84 |
| Remplacement des ampoules d'éclairage..... | 85 |
| Pannes de courant..... | 86 |
| Entretien avant les vacances ou lors d'un déménagement | 87 |
| GUIDE DE DÉPANNAGE | 88 |
| SERVICE D'ENTRETIEN SEARS | 92 |
| CERTIFICATIONS DE FILTRE À EAU | 93 |

GARANTIE

GARANTIE COMPLÈTE DE UN AN DU RÉFRIGÉRATEUR.

Pendant un an à compter de la date d'achat, lorsque ce réfrigérateur est utilisé et entretenu d'après les instructions jointes au produit ou fournies, Sears réparera ce réfrigérateur sans frais, si la défectuosité provient des matériaux ou de la fabrication.

GARANTIE COMPLÈTE DE CINQ ANS DU SYSTÈME SCÉLLÉ DU RÉFRIGÉRATEUR.

Pendant cinq ans à compter de la date d'achat, lorsque ce réfrigérateur sera utilisé et entretenu d'après les instructions au propriétaire jointes au produit ou fournies, Sears réparera le système scellé (comprenant le système de réfrigération, la tubulure de raccordement et le compresseur) sans frais, s'il existe une défectuosité des matériaux ou de fabrication.

La garantie ci-dessus s'applique seulement aux réfrigérateurs qui ont été utilisés pour la conservation des aliments en utilisation domestique privée et exclut les cartouches originales et de rechange des filtres à eau et à glace Kenmore (si le réfrigérateur est doté du système de filtration). Les cartouches originales et de rechange sont garanties pendant 30 jours, pièces seulement, contre les vices de matériau ou de fabrication.

LE SERVICE DE GARANTIE EST DISPONIBLE EN COMMUNIQUANT AVEC LES CENTRE DE SERVICE SEARS LE PLUS PROCHE AU CANADA OU AUX ÉTATS-UNIS.

Cette garantie s'applique seulement pendant que ce produit est utilisé au Canada ou aux États-Unis. Cette garantie vous donne des droits juridiques spécifiques et vous pouvez aussi avoir d'autres droits qui varient d'une province à l'autre ou d'un État à l'autre.

Les termes de garantie peuvent varier au Canada. Communiquer avec votre centre de service Sears local pour des détails complets.

**Sears, Roebuck and Co.
D/817WA, Hoffman Estates, IL 60179**

Sears Canada, Inc., Toronto, Ontario, Canada M5B 2B8

Dans l'espace ci-dessous, veuillez inscrire vos numéros complets de modèle et de série ainsi que la date d'achat. On peut trouver ces renseignements sur l'étiquette signalétique des numéros de modèle et de série, située sur votre appareil tel qu'indiqué à la section "Pièces et caractéristiques" de ce livret.

Ayez ces renseignements à portée de la main pour vous aider à obtenir assistance ou service plus rapidement lorsque vous communiquez avec Sears à propos de votre réfrigérateur :

Numéro de modèle 106.

Numéro de série _____

Date d'achat _____

Garder ces instructions et votre facture de vente pour référence ultérieure.

SÉCURITÉ DU RÉFRIGÉRATEUR

— Votre sécurité et celle des autres est très importante. —

Nous donnons de nombreux messages de sécurité importants dans ce manuel et sur votre appareil ménager. Assurez-vous de toujours lire tous les messages de sécurité et de vous y conformer.



Voici le symbole d'alerte de sécurité.

Ce symbole d'alerte de sécurité vous signale les dangers susceptibles de causer le décès et des blessures graves à vous et à d'autres.

Tous les messages de sécurité seront précédés du symbole d'alerte de sécurité et du mot "DANGER" ou "AVERTISSEMENT". Ces mots signifient :

⚠ DANGER

Risque **certain** de décès ou de blessure grave si vous ne suivez pas les instructions.

⚠ AVERTISSEMENT

Risque **possible** de décès ou de blessure grave si vous ne suivez pas les instructions.

Tous les messages de sécurité identifient le danger et vous disent comment réduire le risque de blessure et ce qui peut se produire en cas de non-respect des instructions.

IMPORTANTES INSTRUCTIONS DE SÉCURITÉ

AVERTISSEMENT : Pour réduire les risques d'incendie, de choc électrique ou des blessures lors de l'utilisation du réfrigérateur, prendre quelques précautions fondamentales, y compris les suivantes:

- Brancher l'appareil sur une prise à 3 alvéoles reliée à la terre.
- Ne pas enlever la broche de liaison à la terre.
- Ne pas utiliser un adaptateur.
- Ne pas utiliser un câble de rallonge.
- Débrancher la source de courant électrique avant l'entretien.
- Replacer tous les panneaux avant de faire la remise en marche.
- Enlever les portes de votre vieux réfrigérateur.
- Utiliser un produit de nettoyage ininflammable.
- Garder les matériaux et les vapeurs inflammables, telle que l'essence, loin du réfrigérateur.
- Deux personnes ou plus doivent déplacer et installer le réfrigérateur.
- Débrancher le réfrigérateur avant l'installation de la machine à glaçons.
- Utiliser un verre robuste pour prendre des glaçons ou de l'eau (sur certains modèles).

— CONSERVER CES INSTRUCTIONS —

Mise au rebut de votre vieux réfrigérateur

⚠ AVERTISSEMENT

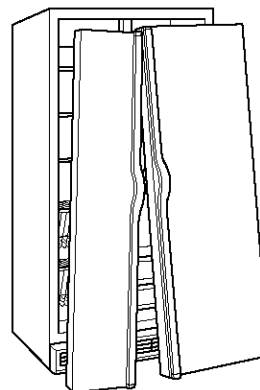
Risque de suffoquer

Enlever les portes de votre vieux réfrigérateur.
Le non-respect de cette instruction peut causer un décès ou des lésions cérébrales.

IMPORTANT – L'emprisonnement et l'étouffement des enfants ne sont pas un problème du passé. Les réfrigérateurs jetés ou abandonnés sont encore dangereux, même s'ils sont laissés abandonnés pendant "quelques jours seulement". Si vous vous débarrassez de votre vieux réfrigérateur, veuillez suivre les instructions suivantes pour aider à éviter les accidents.

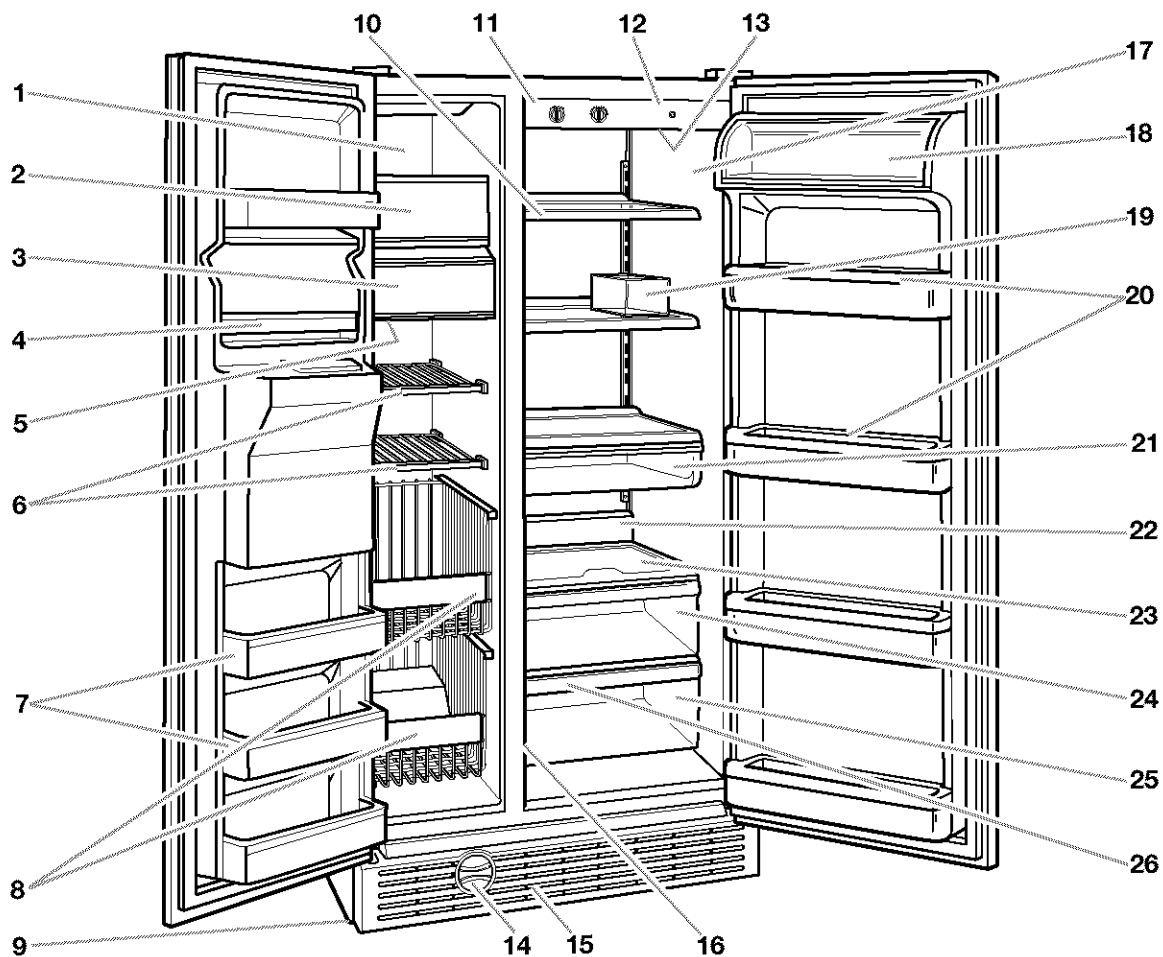
Avant de jeter votre vieux réfrigérateur ou congélateur :

- Enlever les portes.
- Laisser les tablettes en place de sorte que les enfants ne peuvent pas y pénétrer facilement.



PIÈCES ET CARACTÉRISTIQUES

Ce manuel couvre plusieurs modèles différents. Le réfrigérateur que vous avez acheté peut avoir certaines ou toutes les caractéristiques indiquées ci-dessous. Les emplacements des caractéristiques indiquées peuvent ne pas correspondre au modèle que vous avez.



1. Lumière
2. Machine à glaçons automatique
3. Bac à glaçons
4. Tringle dans la porte
5. Lumière
6. Tablettes amovibles
7. Tringles dans la porte
8. Bac/panier de congélateur (sur certains modèles)
9. Roulettes de nivellement (derrière la grille de la base)
10. Tablettes enlevables
11. Tableau de commande
12. Commutateur de lumière
13. Lumière de réfrigérateur
14. Système de filtrage de l'eau (sur certains modèles)
15. Grille de la base
16. Réglage de la température des bacs à viande/légumes convertibles (sur paroi latérale)
17. Plaque signalétique des numéros de modèles et de série (sur paroi latérale)
18. Compartiment pour produits laitiers
19. Compartiment utilitaire
20. Balconnets dans la porte (sur certains modèles)
21. Tiroir de spécialités alimentaires (sur certains modèles)
22. Lumière de bac à légumes (sur certains modèles)
23. Couvercle amovible de bac à légumes
24. Bac à légumes avec réglage d'humidité
25. Bac à légumes/viande convertible
26. Couvercle de bac à légumes/viande convertible

INSTALLATION DU RÉFRIGÉRATEUR

Déballage de votre réfrigérateur

⚠ AVERTISSEMENT

Risque du poids excessif

Utiliser deux ou plus de personnes pour déplacer et installer le réfrigérateur.

Le non-respect de cette instruction peut causer une blessure au dos ou d'autre blessure.

Enlèvement des matériaux d'emballage

- Enlever le ruban adhésif et toutes les étiquettes de votre réfrigérateur avant de l'utiliser (excepté l'étiquette des numéros de modèle et de série).

Pour enlever ce qui reste du ruban gommé ou de l'adhésif, frotter la surface vivement avec le pouce. La colle ou l'adhésif qui reste peut être facilement enlevé par frottement avec les doigts et une petite quantité de savon liquide pour la vaisselle sur l'adhésif. Rincer à l'eau tiède et essuyer.

- Ne pas utiliser d'instruments acérés, d'alcool à friction, de liquides inflammables ou de nettoyants abrasifs pour enlever le ruban adhésif ou la colle. Ces produits peuvent endommager la surface de votre réfrigérateur. Voir "Importantes instructions de sécurité" pour plus de renseignements, à la section "Sécurité du réfrigérateur".

IMPORTANT : Ne pas enlever les étiquettes permanentes d'instruction à l'intérieur du réfrigérateur, ou la fiche technique fixée à la base de la grille.

Nettoyage avant l'utilisation

Après avoir enlevé tous les matériaux d'emballage, nettoyer l'intérieur du réfrigérateur avant de l'utiliser. Voir les instructions de nettoyage dans la section "Entretien de votre réfrigérateur".

Espacement requis

⚠ AVERTISSEMENT

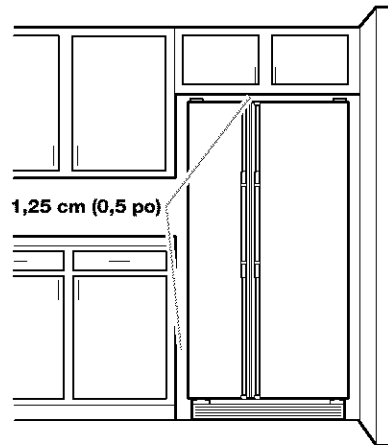


Risque d'explosion

Garder les matériaux et les vapeurs inflammables, telle que l'essence, loin du réfrigérateur.

Le non-respect de cette instruction peut causer un décès, une explosion ou un incendie.

- Pour obtenir une aération appropriée pour votre réfrigérateur, laisser un espace de 1,25 cm (1/2 po) de chaque côté et au sommet.



- Si votre réfrigérateur comporte une machine à glaçons, s'assurer qu'un espace additionnel est prévu à l'arrière pour permettre les connexions des conduits d'eau. Le réfrigérateur peut être près du mur arrière si vous ne faites pas installer une machine à glaçons.
- Si vous installez votre réfrigérateur près d'un mur fixe, laisser un minimum de 5 cm (2 po) du côté des charnières (selon le modèle) pour permettre à la porte de s'ouvrir sans obstruction.

REMARQUE : Ne pas installer le réfrigérateur près d'un four, d'un radiateur ou d'une autre source de chaleur, ni dans un endroit où la température baissera au-dessous de 13° C (55° F).

Spécifications électriques

⚠ AVERTISSEMENT



Risque de choc électrique

Brancher sur une prise à 3 alvéoles reliée à la terre.

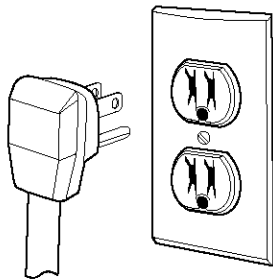
Ne pas enlever la broche de liaison à la terre.

Ne pas utiliser un adaptateur.

Ne pas utiliser un câble de rallonge.

Le non-respect de ces instructions peut causer un décès, un incendie ou un choc électrique.

Avant de placer le réfrigérateur à son emplacement final, il est important de vous assurer d'avoir la connexion électrique appropriée :



Méthode recommandée de mise à la terre

Une source d'alimentation de 115 volts, 60 Hz, type 15 ou 20 ampères CA seulement, protégée par fusibles et adéquatement mise à la terre est nécessaire. Il est recommandé d'utiliser un circuit distinct pour alimenter uniquement votre réfrigérateur. Utiliser une prise murale qui ne peut pas être mise hors circuit à l'aide d'un commutateur. Ne pas employer de rallonge.

REMARQUE : Avant d'exécuter toute cette installation, nettoyage ou remplacement d'une ampoule d'éclairage, tourner le réglage du thermostat (ou le réglage du réfrigérateur selon le modèle) à OFF (arrêt) et débrancher ensuite le réfrigérateur de la source d'alimentation électrique. Lorsque vous avez terminé, reconnecter le réfrigérateur à la source d'alimentation électrique et mettre de nouveau le réglage du thermostat (ou réglage du réfrigérateur) au réglage désiré.

Enlèvement des portes

⚠ AVERTISSEMENT



Risque de choc électrique

Déconnecter la source de courant électrique avant d'enlever les portes.

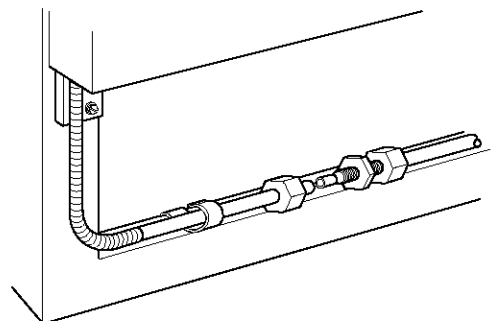
Le non-respect de cette instruction peut causer un décès ou un choc électrique.

REMARQUE : Avant d'enlever les portes, ouvrir les deux portes et retirer la grille de la base (voir la section "Grille de la base").

Outils requis :

Clé à douille à tête hexagonale de 1/4 po, clé à douille à tête hexagonale de 5/16 po.

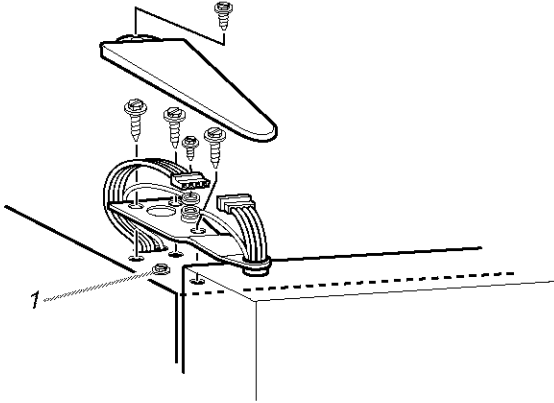
1. Débrancher le réfrigérateur ou déconnecter la source de courant électrique.
2. Si vous avez un distributeur (glaçons ou eau), déconnecter le conduit d'eau (derrière la grille de la base).
 - Enlever le tuyau de la bride.
 - Débrancher l'anneau de raccord et le glisser sur le tube.
 - Enlever l'insertion de métal du tube.
 - Enlever l'anneau de raccord et le ressort.



3. Enlever la charnière supérieure à gauche.

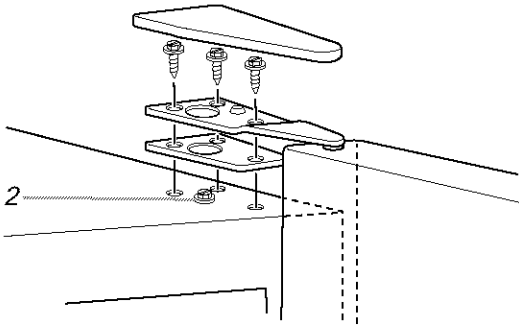
- Enlever le couvercle de la charnière et les vis. **NE PAS ENLEVER LA VIS 1, TEL QU'INDIQUÉ DANS LE SCHÉMA.**
- Débrancher la fiche et les deux fils de liaison à la terre.

- Soulever soigneusement la porte de la charnière inférieure. S'assurer de protéger le conduit d'eau contre les dommages.



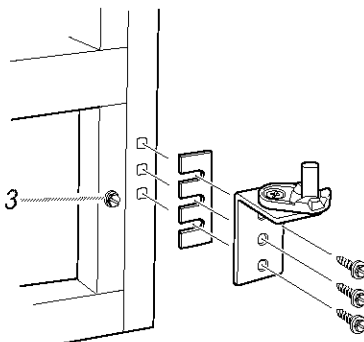
4. Démontez la charnière supérieure à droite.

- Enlever le couvercle de la charnière et les vis. **NE PAS ENLEVER LA VIS 2 TEL QU'ILLUSTRÉ DANS LE SCHÉMA.**
- Soulever la porte de la charnière inférieure.



5. Enlever la charnière inférieure si nécessaire. Les deux charnières à la base ont une construction semblable. **NE PAS ENLEVER LA VIS 3 TEL QU'ILLUSTRÉ DANS LE SCHÉMA.**

REMARQUE : Il peut ne pas être nécessaire d'enlever la charnière inférieure pour déplacer le réfrigérateur dans un cadre de porte.

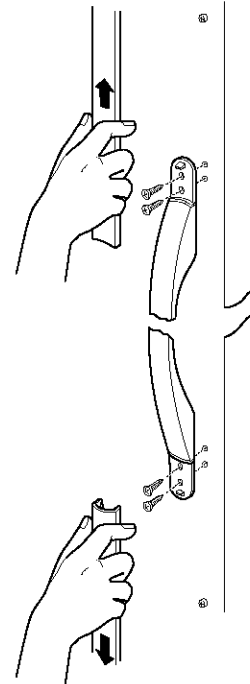


6. Réinstaller les portes.

7. Brancher le réfrigérateur ou reconnecter la source de courant électrique.

Enlèvement des poignées des portes

Appliquer une pression ferme avec les mains sur le devant de la garniture. Glisser la garniture hors de la poignée, ensuite la soulever des vis de recouvrement. Enlever les vis.

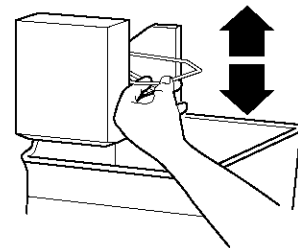


Préparation du système d'eau

VEUILLEZ LIRE AVANT L'INSTALLATION

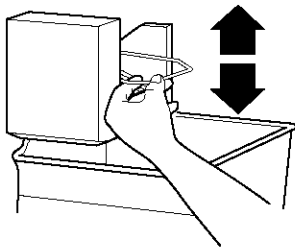
Immédiatement après l'installation, suivre les étapes ci-dessous pour avoir la certitude que le système d'eau est bien nettoyé.

1. Arrêter la machine à glaçons en ouvrant la porte du congélateur et en soulevant le levier de signal comme illustré.



2. Vider le système d'eau en laissant couler et en jetant 2 à 3 gallons (environ 6 à 7 minutes) d'eau à travers le distributeur. Ceci nettoie le système d'eau et aide à dégager l'air des conduits. Un écoulement additionnel peut être requis dans certains domiciles.

- Mettre la machine à glaçons en marche en ouvrant la porte du congélateur et en abaissant le levier de signal comme illustré.



- Accorder 24 heures pour produire la première quantité de glaçons. La machine à glaçons devrait ensuite produire environ 7 à 9 lots de glaçons au cours d'une période de 24 heures. Jeter les trois premiers lots de glaçons produits.

Raccordement du réfrigérateur à une canalisation d'eau

Lire attentivement toutes les instructions avant de commencer.

IMPORTANT :

- Si on doit utiliser le réfrigérateur avant qu'il soit raccordé à la canalisation d'eau, placer la commande de la machine à glaçons à la position d'arrêt (OFF) pour empêcher que la machine à glaçons fonctionne sans eau.
- Toutes les installations doivent être conformes aux exigences des codes locaux de plomberie.
- Utiliser un tube en cuivre et vérifier s'il y a des fuites.
- Installer les tubes en cuivre seulement à des endroits où la température se maintient au-dessus du point de congélation.
- Une période d'attente allant jusqu'à 24 heures est nécessaire avant que l'appareil commence à produire des glaçons.

Outils requis :

- Tournevis standard
- Clés plates de 7/16-po et 1/2-po ou deux clés à molette réglables
- Tourne-écrou de 1/4-po
- Foret de 1/4-po
- Perceuse manuelle ou perceuse électrique (convenablement reliée à la terre)

REMARQUE : Votre marchand de réfrigérateurs présente une trousse disponible avec un robinet de genre à selle de 1/4-po, un raccord et un tube en cuivre. Avant l'achat, s'assurer que le robinet de genre à selle est conforme à vos codes locaux de plomberie. Ne pas employer de robinet de genre à selle ou de 3/16-po de type à percer, ce qui réduit le débit d'eau et cause une obstruction plus facilement.

Arrivée d'eau froide

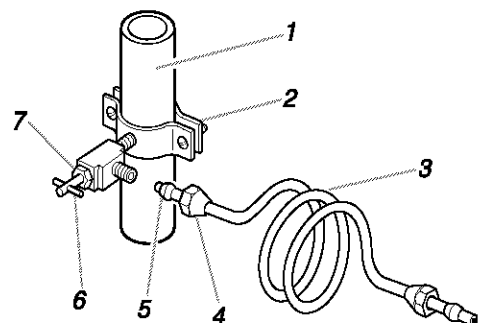
La valve d'entrée d'eau de la machine à glaçons comprend une rondelle de contrôle du débit, qui est utilisée comme élément de régulation de la pression d'eau. La machine à glaçons a besoin d'être connectée à une canalisation d'eau froide avec limitations de pression d'eau de 30 à 120 lb-po². Si un problème survient, contacter la compagnie de distribution d'eau.

Raccordement à une canalisation d'eau :

- Débrancher le réfrigérateur ou déconnecter la source de courant électrique.
- Fermer (OFF) le robinet principal d'arrivée d'eau. Ouvrir (ON) le robinet de puisage le plus proche pendant une période suffisante pour que la canalisation d'eau se vide.
- Trouver une canalisation d'eau FROIDE verticale de 1,3 à 3,2 cm (1/2-po à 1 1/4-po) près du réfrigérateur.

REMARQUE : On peut alimenter le réfrigérateur à partir d'une canalisation horizontale, mais on doit alors observer les précautions suivantes : percer par le dessus de la canalisation et non pas par le dessous. Ainsi, l'eau ne risquera pas d'arroser la perceuse. Ceci empêche également les sédiments qu'on trouve normalement dans l'eau de s'accumuler dans le robinet d'arrêt.

- Pour déterminer la longueur du tube en cuivre, il faut mesurer la distance entre le point de connexion à gauche au bas à l'arrière du réfrigérateur et le tuyau d'arrivée d'eau. Ajouter une longueur de 7 pieds (2,1 m) pour permettre le déplacement du réfrigérateur pour le nettoyage. Utiliser un tube en cuivre de 1/4 po de diamètre. Veiller à ce que le tube soit coupé d'équerre aux deux extrémités.
- À l'aide d'une perceuse électrique reliée à la terre, percer un trou de 1/4-po dans le tuyau de canalisation d'eau froide choisie.

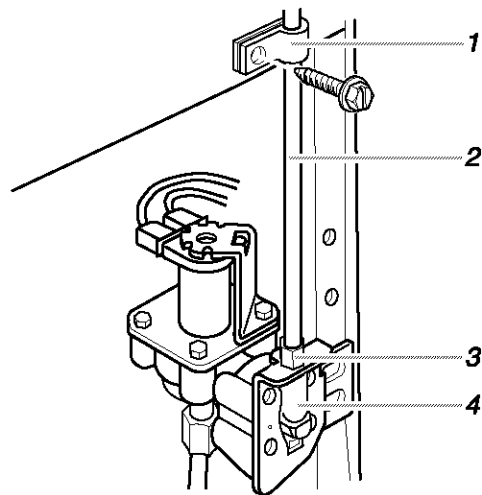


- Canalisation d'eau froide
- Bride de tuyau
- Tube en cuivre
- Écrou de compression
- Bague de compression
- Robinet d'arrêt
- Écrou de serrage

6. Fixer le robinet sur la canalisation d'eau froide avec la bride de prise en charge. Vérifier que le raccord du robinet est bien engagé dans le trou de 1/4-po percé dans la canalisation et que la rondelle d'étanchéité est placée sous la bride de prise en charge. Serrer l'écrou de serrage sur la tige du robinet. Serrer soigneusement et uniformément les vis fixant la bride de prise en charge sur la tuyauterie afin que la rondelle forme une jonction étanche. Ne pas serrer excessivement car ceci pourrait provoquer l'écrasement du tube en cuivre, particulièrement s'il s'agit d'un tube en cuivre malléable. On est maintenant prêt à connecter le tube de raccordement en cuivre.
7. Enfiler l'écrou et la bague de compression du raccord sur le tube en cuivre comme on le voit sur l'illustration. Insérer l'extrémité du tube aussi loin que possible dans l'ouverture de sortie du robinet. Visser l'écrou du raccord de compression sur le raccord de sortie avec une clé à molette. Ne pas serrer excessivement.
8. Placer le bout libre du tube dans l'évier et OUVRIRE le robinet principal d'arrivée d'eau et laisser l'eau s'écouler par le tube jusqu'à ce que l'eau soit limpide. FERMER le robinet principal d'arrivée d'eau. Enrouler le tube en cuivre en spirale.

Raccordement au réfrigérateur :

1. Connecter le tube en cuivre au robinet d'eau en utilisant un écrou et une bague de compression tel qu'illustré. Serrer l'écrou de compression. Ne pas serrer excessivement. Réattacher la bride du tube et le tube à l'arrière de la caisse. Passer à l'étape 2.
2. **OUVRIR le robinet d'arrêt. Inspecter pour rechercher les fuites.** Serrer tous les raccords (y compris les raccordements de la valve d'entrée d'eau) ou les écrous qui coulent.

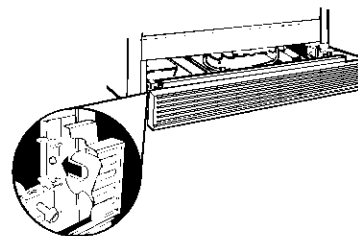


1. Bride du tube
2. Tube en cuivre
3. Bague de compression
4. Entrée d'eau de la valve

3. La machine à glaçons est équipée d'un filtre à eau incorporé. Si la qualité de l'eau distribuée localement nécessite un nettoyage périodique, ou si l'eau qui alimente l'appareil provient d'un puits, il serait utile d'installer un deuxième filtre dans le tube de raccordement de 1/4-po. On peut obtenir un tel filtre à eau chez le marchand d'appareils électroménagers le plus proche. Installer le filtre au niveau de n'importe laquelle des connexions du tube de raccordement.
4. Brancher le réfrigérateur ou reconnecter la source de courant électrique.

Grille de la base

Il faut enlever la grille de la base pour nettoyer le plateau de dégivrage ou les serpentins du condenseur ou pour niveler le réfrigérateur.



REMARQUE : Éviter soigneusement de toucher les serpentins du condenseur pendant le nettoyage. Les surfaces peuvent être chaudes.

Pour retirer la grille de la base :

1. Ouvrir les deux portes.
2. Placer les mains le long des extrémités de la grille avec les pouces sur le dessus. Appuyer avec les pouces et retirer à la base.

REMARQUE : S'assurer de replacer la fiche technique fixée derrière la grille après le nettoyage.

3. Fermer les portes.

Pour replacer la grille :

1. Ouvrir les portes.
2. Aligner les pattes de support de la grille avec les pinces métalliques.
3. Appuyer fermement sur la grille pour l'enclencher en place.

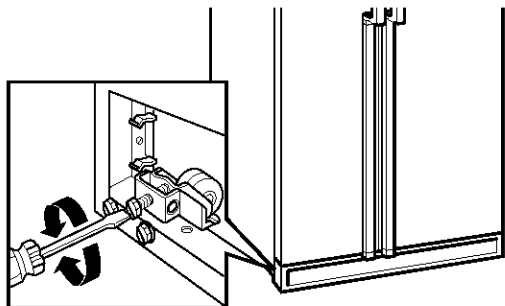
Fermeture des portes

Fermeture des portes

Votre réfrigérateur présente 2 roulettes réglables à l'avant – l'une du côté droit et l'une du côté gauche. Si votre réfrigérateur semble instable ou si vous désirez que les portes se ferment plus facilement, faire le réglage de l'inclinaison du réfrigérateur en suivant les instructions ci-dessous :

1. Brancher le réfrigérateur.
2. Placer le réfrigérateur à son emplacement final.
3. Enlever la grille de la base (voir "Grille de la base" au début de cette section). Les deux vis de nivellement font partie des montages de roulettes avant qui sont à la base du réfrigérateur d'un côté et de l'autre.
4. Utiliser un tournevis pour ajuster les vis de nivellement. tourner la vis de nivellement vers la droite pour soulever ce côté du réfrigérateur ou tourner la vis de nivellement vers la gauche pour abaisser ce côté. Plusieurs tours des vis de nivellement peuvent être nécessaires pour régler l'inclinaison du réfrigérateur.

REMARQUE : Si une autre personne pousse le haut du réfrigérateur, le poids devient moins lourd sur les vis de nivellement et les roulettes, ce qui rend plus facile l'ajustement des vis.



5. Ouvrir les deux portes de nouveau et vérifier pour s'assurer qu'elles se ferment aussi facilement que vous le désirez. Sinon, inclinez le réfrigérateur un peu plus vers l'arrière en tournant les deux vis de nivellement vers la droite. Plusieurs tours peuvent être nécessaires et vous devez tourner les deux vis de nivellement d'un espace égal.
6. Réinstaller la grille de la base.

Les bruits de l'appareil que vous pouvez entendre

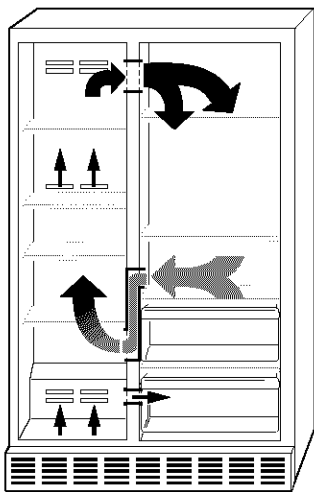
Il est possible que le réfrigérateur neuf émette des bruits que l'appareil précédent ne produisait pas. Comme ces bruits sont nouveaux, ils peuvent vous inquiéter. La plupart de ces nouveaux bruits sont normaux. Des surfaces dures comme le plancher, les murs et les armoires peuvent faire paraître les bruits plus forts qu'en réalité. Les descriptions suivantes indiquent le genre de bruits et leur origine.

- Si votre appareil est équipé d'une machine à glaçons, vous entendrez un bruit de gargouillement lorsque la valve d'eau s'ouvre pour remplir la machine à glaçons pour chaque programme.
- La minuterie du dégivreur produit un déclic au début et à la fin du programme de dégivrage. Le thermostat et le réglage feront aussi entendre un déclic lors de la mise en marche et de l'arrêt du programme.
- Les vibrations sonores peuvent provenir de l'écoulement du réfrigérant, de la canalisation d'eau ou d'articles placés sur le réfrigérateur.
- Votre réfrigérateur est conçu pour fonctionner plus efficacement afin de garder les aliments à la température désirée. Le compresseur très efficace peut faire fonctionner à votre réfrigérateur neuf plus longtemps que l'ancien et vous pouvez entendre des bruits aigus ou des vibrations sonores.
- L'eau qui dégoutte sur le dispositif de chauffage durant le programme de dégivrage peut produire un grésillement.
- Vous pouvez entendre le moteur du ventilateur d'évaporation qui fait circuler l'air dans le réfrigérateur et le congélateur.
- À la fin de chaque programme, vous pouvez entendre un gargouillement attribuable au réfrigérant qui se trouve dans votre réfrigérateur.
- La contraction et l'expansion des parois internes peuvent produire un bruit sec.
- Vous pouvez entendre de l'air qui est transmis au condenseur dans le ventilateur du condenseur.
- Vous pouvez entendre l'écoulement de l'eau dans le plat de récupération d'eau de dégivrage pendant le programme de dégivrage.

UTILISATION DU RÉFRIGÉRATEUR

Pour s'assurer d'une circulation d'air appropriée

Pour s'assurer d'avoir des températures appropriées, il faut permettre à l'air de circuler entre les deux sections. L'air froid pénètre à la base de la section du congélateur et se déplace vers le haut. Il pénètre ensuite dans la section du réfrigérateur en passant par l'ouverture d'aération supérieure. L'air retourne ensuite au congélateur comme à l'illustration.



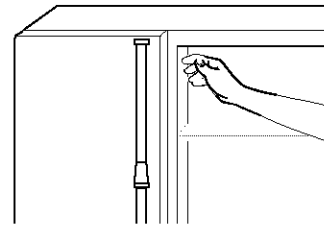
Ne pas obstruer l'une de ces ouvertures d'aération avec des aliments tels que les canettes, les céréales, le pain, etc. Si les ouvertures d'aération sont bloquées, la circulation d'air sera entravée et le réglage des températures ne fonctionnera pas correctement.

IMPORTANT : Comme l'air circule entre les deux sections, toutes les odeurs formées dans une section seront transférées à l'autre. Vous devez nettoyer à fond les deux sections pour éliminer les odeurs. Pour empêcher les transferts d'odeurs, envelopper ou recouvrir légèrement les aliments.

Vérification de la circulation d'air

Pour mesurer la quantité d'air froid dirigée du congélateur au réfrigérateur, tenir votre main en avant de l'ouverture d'aération au sommet. On peut ajuster le réglage de l'équilibre d'air pour éprouver les différentes quantités d'air en circulation.

Pour plus de renseignements sur la température à l'intérieur de votre réfrigérateur, consulter la section "Guide de Dépannage".

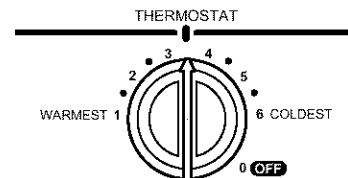


Réglage des commandes

Pour vous accommoder, les commandes du réfrigérateur sont pré-réglées à l'usine. Au moment de l'installation initiale du réfrigérateur, s'assurer que les commandes sont encore pré-réglées.

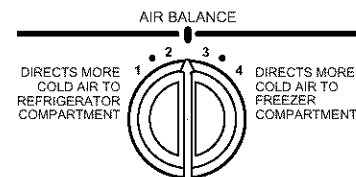
Le réglage du Thermostat et le réglage Air Balance devraient tous les deux être au réglage central tel qu'indiqué à l'illustration.

Le réglage du Thermostat ajuste les températures du réfrigérateur et du congélateur. Les réglages vers la gauche du réglage central rendent la température générale dans les deux compartiments moins froide. Les réglages vers la droite du réglage central rendent la température générale dans les deux compartiments plus froide.



REMARQUE : Votre appareil ne se refroidira pas lorsque la commande du thermostat est réglée à OFF.

Le réglage Air Balance répartit la quantité d'air froid qui entre dans les deux compartiments. Les réglages vers la gauche du réglage central dirigent plus d'air froid dans le compartiment du réfrigérateur. Les réglages vers la droite du réglage central dirigent plus d'air froid dans le compartiment du congélateur.



Donner au réfrigérateur le temps de se refroidir complètement avant d'y ajouter des aliments. Il est mieux d'attendre 24 heures avant de placer des aliments dans le réfrigérateur.

IMPORTANT : Si vous ajoutez des aliments avant que le réfrigérateur ne soit complètement refroidi, vos aliments vont se gâter. **Tourner les réglages du Thermostat et de Air Balance à un réglage plus froid que le réglage recommandé, ne refroidira pas les compartiments plus vite.**

Réglage des commandes d'ajustement

Donner au réfrigérateur le temps de refroidir complètement avant d'ajouter des éléments. Ce délai peut demander plusieurs heures. Les réglages indiqués à la section précédente devraient être corrects pour l'utilisation normale du réfrigérateur familial. Des réglages sont faits correctement lorsque le lait ou le jus est froid à votre goût et lorsque la crème glacée est ferme.

Si les températures doivent être ajustées dans le réfrigérateur ou le congélateur, utiliser le réglage indiqué au tableau ci-dessous comme guide. Attendre au moins 24 heures entre les ajustements.

| CONDITION/RAISON : | AJUSTEMENT RECOMMANDÉ: |
|--|---|
| Section du RÉFRIGÉRATEUR trop tiède <ul style="list-style-type: none">■ Porte fréquemment ouverte■ Grande quantité d'aliments ajoutée■ Température ambiante très chaude | Tourner le réglage AIR BALANCE d'un demi réglage plus élevé, attendre 24 heures ensuite vérifier la température du congélateur |
| Section du CONGÉLATEUR trop tiède/la machine à glaçons produit trop peu de glaçons <ul style="list-style-type: none">■ Porte fréquemment ouverte■ Grande quantité d'aliments ajoutée■ Température ambiante très froide (programme à fonctionnement trop peu fréquent)■ Usage intense de glaçons■ Articles bloquant la diffusion d'air | Tourner le réglage AIR BALANCE d'un demi réglage plus élevé Déplacer les articles hors du courant d'air |
| Section du RÉFRIGÉRATEUR trop froide <ul style="list-style-type: none">■ Réglages non correctement faits pour les conditions existantes | Tourner le réglage du THERMOSTAT au numéro le plus bas suivant |
| Section du CONGÉLATEUR trop froide <ul style="list-style-type: none">■ Les réglages ne sont pas correctement fait pour vos conditions | Tourner le réglage AIR BALANCE au numéro suivant le plus bas |

Guide d'entreposage des aliments

Conservation des aliments frais

Des aliments placés au réfrigérateur doivent être enveloppés ou gardés dans un emballage hermétique et à l'épreuve de l'humidité à moins d'indications contraires. Ceci empêche l'odeur et le goût des aliments de se répandre dans tout le réfrigérateur. Pour des produits datés, vérifier les dates indiquées pour s'assurer de la fraîcheur des aliments.

Beurre ou margarine

Garder le beurre entamé dans un beurrier muni d'un couvercle ou dans un compartiment fermé. Lors de la conservation de quantités supplémentaires, utiliser un emballage pour congélateur et faire congeler.

Fromage

Conserver dans son emballage original jusqu'à l'emploi. Une fois le paquet ouvert, réemballer hermétiquement le fromage dans une pellicule en plastique ou du papier d'aluminium.

Lait

Essayer les contenants. Pour qu'il se conserve mieux, placer le lait sur une tablette à l'intérieur.

Œufs

Conserver les œufs sans les laver dans le carton original sur une tablette à l'intérieur.

Fruits

Laver, laisser sécher et mettre au réfrigérateur dans un sac en plastique ou dans le bac à légumes. Ne pas laver ni équeuter les petits fruits avant le moment de leur utilisation. Les trier et les conserver dans l'emballage original dans le bac à légumes ou les conserver sur une tablette du réfrigérateur dans un sac fermé en papier sans être serré.

Légumes à feuilles

Retirer l'emballage original et couper ou éliminer les sections endommagées et décolorées. Laver à l'eau froide et égoutter. Placer dans un sac ou un contenant en plastique et ranger dans le bac à légumes.

Légumes à pelure (carottes, poivrons)

Placer dans des sacs en plastique ou contenants en plastique et ranger dans le bac à légumes.

Poisson

Utiliser du poisson et des fruits de mer frais le jour même de leur achat.

Viande

La plupart des viandes peuvent être conservées dans leur emballage original tant que cet emballage est hermétique et à l'épreuve de l'humidité. Emballer de nouveau si nécessaire. Voir le tableau suivant pour les périodes de conservation. Si la viande doit être conservée pour une période plus longue que la durée donnée, faire congeler la viande.

| | |
|---|--------------|
| Poulet | 1 à 2 jours |
| Boeuf haché | 1 à 2 jours |
| Viandes de variété (foie, coeur, etc.)..... | 1 à 2 jours |
| Charcuterie | 3 à 5 jours |
| Steaks/rôtis | 3 à 5 jours |
| Bacon | 5 à 7 jours |
| Viandes traitées | 7 à 10 jours |

Les restes

Couvrir les restes avec de la pellicule en plastique ou du papier d'aluminium. Il est convenable aussi d'utiliser des contenants en plastique avec couvercle hermétique.

Conservation des aliments congelés

REMARQUE : Pour plus de renseignements au sujet de la préparation des aliments pour la congélation ou pour les temps de conservation d'aliments, consulter un guide pour congélateur ou un livre de recettes fiable.

Emballage

Le secret d'une congélation efficace réside dans l'emballage. Il doit être fermé et scellé de façon à empêcher la pénétration et l'évacuation de l'air ou de l'humidité. Toute autre méthode d'emballage risque d'entraîner la propagation des saveurs et d'odeurs dans tout le réfrigérateur et l'assèchement des aliments congelés.

Recommandations pour l'emballage :

- Contenants rigides en plastique avec couvercle hermétique
- Bocaux de conserve/congélation à bord droit
- Papier d'aluminium résistant
- Papier recouvert de plastique
- Emballages en papier étanche (pellicule Saran)
- Sacs en plastique autohermétiques spécifiés pour congélateur

Suivre les instructions de l'emballage ou du contenant pour les méthodes de congélation appropriées.

Ne pas utiliser :

- Emballages pour le pain
- Contenants en plastique autres qu'en polyéthylène
- Contenants sans couvercle hermétique

- Papier paraffiné ou emballage pour congélateur enduit de cire
- Emballage mince semi-perméable

Congélation

Le congélateur ne congèlera pas rapidement une grande quantité d'aliments. Ne pas placer plus d'aliments non congelés dans le congélateur que la quantité qui congèlera dans l'intervalle de 24 heures (pas de plus de 907 à 1 350 g. par litre [2 à 3 lb] d'aliments par pied cube d'espace dans le congélateur). Laisser assez d'espace pour permettre la circulation d'air entre les emballages. S'assurer aussi de laisser assez d'espace à l'avant pour que la porte se ferme hermétiquement.

Les périodes de conservation varieront selon la qualité et le type des aliments, le type d'emballage et le type de pellicule utilisés (hermétiques et à l'épreuve de l'humidité) et la température d'entreposage. Les cristaux de glace à l'intérieur d'un emballage scellé sont normaux. Les cristaux signifient simplement que l'humidité dans les aliments et l'air à l'intérieur de l'emballage se sont condensés en créant des cristaux de glace.

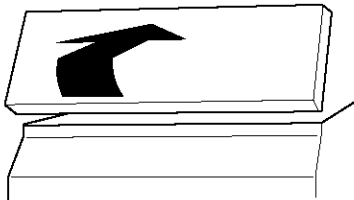
REMARQUE : Laisser les aliments chauds refroidir à la température de la pièce pendant 30 minutes, ensuite préparer l'emballage et faire congeler. Le refroidissement des aliments chauds avant la congélation économise de l'énergie.

CARACTÉRISTIQUES DU RÉFRIGÉRATEUR

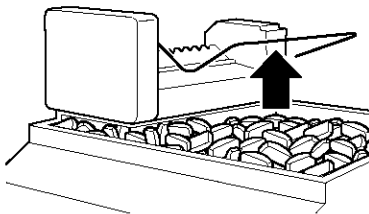
Bac d'entreposage de la machine à glaçons

Pour retirer le bac de glaçons :

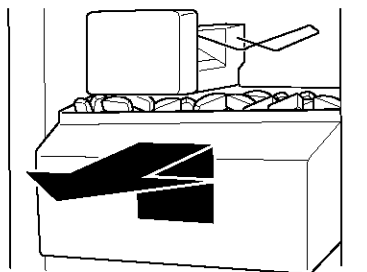
1. Tirer le panneau qui recouvre le bac à glaçons en le retirant à la base et ensuite en le glissant vers l'arrière.



2. Soulever le levier jusqu'à ce qu'il s'enclenche à la position OFF (ARRÊT) (vers le haut). Des glaçons peuvent encore être distribués mais aucun autre ne peut être préparé.



3. Soulever le devant du bac à glaçons et le retirer.



4. Vider le bac à glaçons. Utiliser de l'eau tiède pour faire fondre la glace si nécessaire. **Ne jamais utiliser un objet pointu** pour briser les glaçons dans le bac. Cette action peut endommager le bac et le mécanisme du distributeur.
5. Laver à l'aide d'un détergent doux, bien rincer et sécher à fond. Ne pas utiliser de nettoyants forts ou abrasifs ou des dissolvants.
6. **Lors de la réinstallation du bac**, s'assurer qu'il est poussé complètement à l'intérieur sinon le distributeur ne fonctionnera pas. Ensuite appuyer sur le levier de signal vers le bas à la position ON (EN MARCHÉ) pour recommencer la production de glaçons. S'assurer que la porte est bien fermée.

Distributeurs d'eau et de glaçons (sur certains modèles)

⚠ AVERTISSEMENT



Risque de coupure

Utiliser un verre robuste pour prendre des glaçons ou de l'eau.

Le non-respect de cette instruction peut causer des coupures.

Selon le modèle du réfrigérateur, vous pouvez avoir une ou plusieurs des options suivantes : la capacité de choisir de la glace concassée ou des glaçons, une lumière spéciale qui s'allume lorsque vous employez le distributeur ou une option de verrouillage pour éviter la distribution accidentelle.

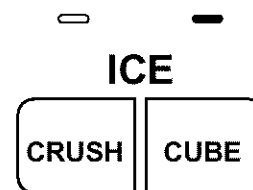
Le distributeur de glaçons

Les glaçons sont distribués du bac d'entreposage de glaçons du congélateur. Lorsqu'on appuie sur le levier du distributeur :

- Une trappe s'ouvre dans une goulotte entre le distributeur et le bac d'entreposage de glaçons.
- Les glaçons passent du bac et tombent dans la goulotte.
- Lorsqu'on relâche le levier du distributeur, la trappe se ferme et la distribution de glaçons s'arrête. Le système de distribution ne fonctionne pas lorsque la porte du congélateur est ouverte.

Certains modèles distribuent des glaçons et de la glace concassée. Avant la distribution de glaçons, choisir quelle sorte vous préférez. Les réglages sont conçus pour une utilisation et un nettoyage faciles.

- Pour les glaçons en cubes, appuyer sur le bouton CUBE jusqu'à l'indicateur rouge dans le voyant au-dessus du bouton CUBE.



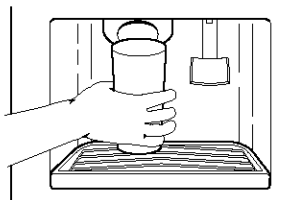
- Pour la glace concassée, appuyer sur le bouton CRUSH jusqu'à l'indicateur rouge dans le voyant au-dessus du bouton CRUSH.

Pour de la glace concassée, les glaçons sont concassés avant d'être distribués. Cette action peut causer un court

décalage lors de la distribution de glace concassée. Le bruit du broyeur de glaçons est normal et la dimension des morceaux de glace peut varier. Lorsqu'on change de CRUSH (concassée) à CUBE (cubes), quelques onces de glace concassée seront distribués avec les premiers glaçons.

Distribution de glaçons :

1. Appuyer sur le bouton pour le type de glace désirée.
2. Appuyer un verre **robuste** contre le levier de distribution de glaçons. Tenir le verre près de l'ouverture du distributeur pour que les glaçons ne tombent pas à côté du verre.



IMPORTANT : Il n'est pas nécessaire d'appliquer beaucoup de pression au levier pour activer le distributeur de glaçons. Une pression forte ne donne pas une distribution plus rapide de glaçons ou des quantités plus grandes.

3. Retirer le verre pour arrêter la distribution.

REMARQUE : Les quelques premières quantités de glaçons peuvent avoir une odeur désagréable provenant d'une plomberie et de pièces neuves. Jeter ces glaçons. Par ailleurs, prenez de grandes quantités de glaçons du bac à glaçons plutôt que par l'entremise du distributeur.

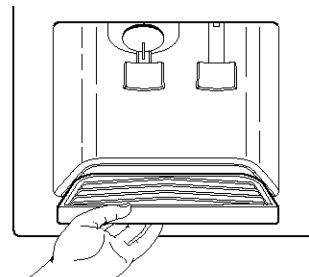
Le distributeur d'eau

L'eau refroidie provient d'un réservoir placé derrière le bac à viande. Sa contenance est d'environ 1,5 L (1 1/2 pinte).

Lors du branchement initial du réfrigérateur, appuyer sur le levier du distributeur d'eau avec un verre ou autre récipient pour puiser de 1,9 à 2,8 L (2 ou 3 pintes) d'eau qui sera jetée. Il faudra de trois à quatre minutes pour que la distribution de l'eau commence. Cette eau ainsi puisée et jetée rince le réservoir et les tuyauteries.

Laisser ensuite le contenu du nouveau réservoir plein se refroidir pendant plusieurs heures.

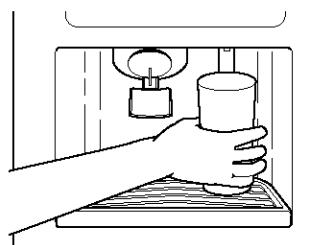
IMPORTANT : Le petit plateau amovible situé sous le distributeur est conçu pour recevoir les petits renversements et permet aussi un nettoyage facile. Il n'y a pas d'écoulement dans le plateau. Le plateau peut être enlevé du distributeur et transporté à l'évier pour être vidé ou nettoyé.



Distribution d'eau :

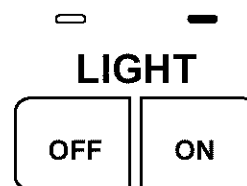
1. Appuyer un verre contre le levier du distributeur d'eau.
2. Retirer le verre pour discontinuer l'écoulement.

REMARQUE : Puiser une quantité suffisante d'eau chaque semaine pour maintenir un approvisionnement frais.



Témoin lumineux du distributeur

Le distributeur comporte un indicateur lumineux. Il peut être allumé manuellement en appuyant sur le bouton ON (allumé) au côté droit du panneau de réglage. L'indicateur rouge apparaîtra au-dessus du bouton ON. **Sur certains modèles :** chaque fois que vous utilisez le distributeur, le levier allumera automatiquement l'indicateur lumineux.

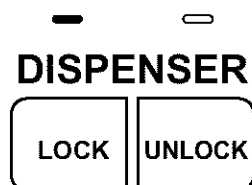


REMARQUE : Voir la section "Remplacement des ampoules d'éclairage" pour des renseignements sur le changement de l'ampoule du distributeur.

Sur les modèles sans fonction de glace concassée, l'indicateur lumineux est de type basculeur. Appuyer sur le commutateur pour l'allumer et appuyer de nouveau pour l'éteindre.

Verrouillage du distributeur (sur certains modèles)

Le distributeur peut être arrêté pour le nettoyage facile ou pour empêcher la distribution accidentelle par de petits enfants et animaux de compagnie. Pour arrêter le distributeur, appuyer sur le bouton LOCK (verrouillage). L'indicateur rouge apparaîtra au-dessus du bouton LOCK et les distributeurs de glaçons et d'eau ne fonctionneront pas. Pour déverrouiller le distributeur, appuyer sur le bouton UNLOCK (déverrouillage) jusqu'à ce que l'indicateur rouge apparaisse au-dessus du bouton UNLOCK. Ensuite continuer à distribuer des glaçons ou de l'eau comme d'habitude.



REMARQUE : La caractéristique de verrouillage ne discontinuera pas le courant électrique à l'appareil, à la machine à glaçons ou à l'éclairage du distributeur. Elle sert simplement à désactiver les leviers du distributeur.

Systeme de filtration et de contrôle d'eau (sur certains modèles)

Le témoin lumineux de l'état du filtre à eau

Le témoin lumineux de l'état du filtre à eau vous aidera à savoir quand changer votre cartouche de filtre à eau. Le témoin se trouve à la partie supérieure interne du compartiment de réfrigération à côté du bouton de commande du réfrigérateur. Le témoin lumineux passera du vert au jaune. Ce changement vous signale qu'il est presque temps de changer la cartouche du filtre à eau (90 % de la vie utile du filtre s'est écoulée) et que vous devriez commander une nouvelle cartouche de filtre à eau. Il est recommandé de remplacer la cartouche de filtre à eau lorsque le témoin lumineux de l'état du filtre à eau passe au rouge OU lorsque le débit d'eau à votre distributeur ou à la machine à glaçons diminue beaucoup. (Voir "Remplacement de la cartouche de filtre à eau" plus loin dans cette section.)

REMARQUE : Ne pas utiliser avec de l'eau microbiologiquement dangereuse ou de qualité inconnue sans une désinfection adéquate avant et après le système.

WATER FILTER STATUS

GREEN • FILTER IS OK
YELLOW • LOW FILTER LIFE
RED • REPLACE FILTER



RESET WATER FILTER STATUS
PRESS LIGHT SWITCH (5) TIMES

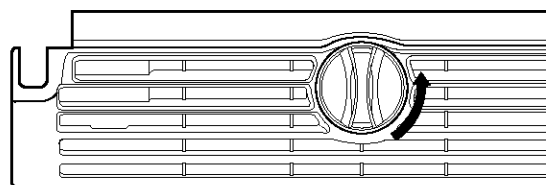
Après avoir changé la cartouche de filtre à eau, régler de nouveau le témoin lumineux de l'état du filtre à eau en appuyant sur le commutateur du témoin 5 fois en deçà de 10 secondes. Le témoin lumineux d'état passera du rouge au vert dès que le système est restauré.

Remplacement de la cartouche de filtre à eau

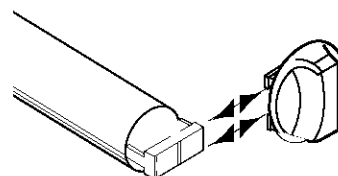
Le filtre à eau est situé sous la porte du compartiment congélateur.

1. Repérer le couvercle de la cartouche de filtre situé dans la grille supérieure avant, sous la porte du compartiment congélateur. Tourner le couvercle dans le sens inverse des aiguilles d'une montre jusqu'à ce qu'il soit en position verticale. Retirer ensuite le couvercle et la cartouche de filtre par la grille inférieure.

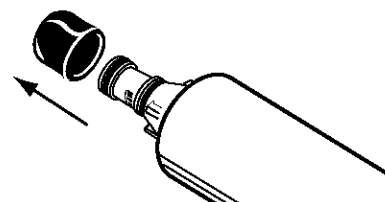
REMARQUE : Il y aura de l'eau dans la cartouche. Il est possible qu'il y ait un déversement.



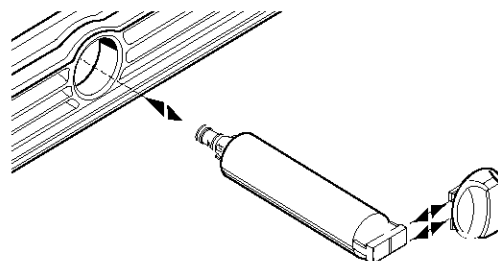
2. Retirer le couvercle de la vieille cartouche de filtre en le faisant glisser vers l'extérieur. Le couvercle glissera vers la gauche ou la droite. NE PAS JETER LE COUVERCLE.



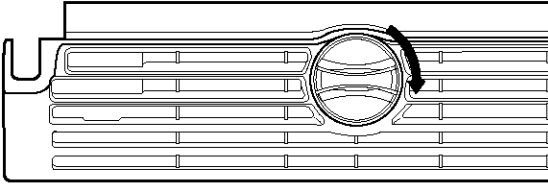
3. Sortir la nouvelle cartouche de son emballage, puis dégager le capuchon protecteur des anneaux d'étanchéité.



4. Faire glisser le couvercle de la cartouche sur la nouvelle cartouche comme le montre l'illustration.



- Mettre le couvercle de la cartouche en position verticale, puis insérer la nouvelle cartouche de filtre dans la grille inférieure en la poussant jusqu'au fond. Tourner le couvercle de la cartouche dans le sens des aiguilles d'une montre jusqu'à ce qu'il soit en position horizontale.



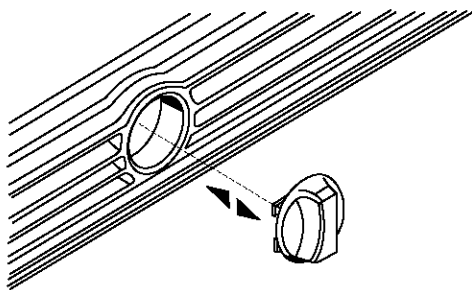
- FAIRE COULER DE L'EAU PAR LE DISTRIBUTEUR JUSQU'À CE QUE L'EAU COULE CLAIRE (ENVIRON 2 À 3 GALLONS OU 6 À 7 MINUTES). Cela permet de nettoyer le système et d'évacuer l'air des conduits. Un nettoyage additionnel peut s'avérer nécessaire dans certains domiciles.

REMARQUE : Pendant l'évacuation de l'air, l'eau peut gicler de la fontaine réfrigérée.

Utilisation de la fontaine réfrigérée sans filtre à eau

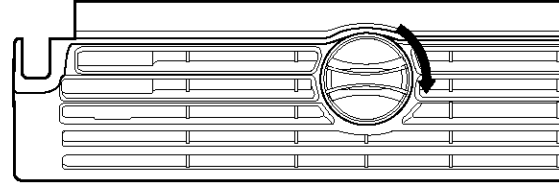
Il est possible de faire fonctionner la fontaine réfrigérée sans utiliser de cartouche de filtre. L'eau ne sera pas filtrée. Si l'utilisateur décide de faire fonctionner la fontaine réfrigérée sans cartouche de filtre à eau, garder le couvercle de la cartouche à l'intérieur de la grille pour pouvoir l'utiliser ultérieurement.

- Retirer la cartouche de filtre à eau (voir la section "Remplacement de la cartouche de filtre à eau" présentée précédemment). Ensuite, faire glisser le couvercle de la cartouche vers l'extérieur. **NE PAS JETER LE COUVERCLE.**
- Mettre le couvercle de la cartouche en position verticale, puis l'insérer dans la grille inférieure jusqu'à ce qu'il s'immobilise.



- Tourner le couvercle de la cartouche jusqu'à ce qu'il soit en position horizontale.

REMARQUE : Le couvercle de la cartouche risque de ne pas être au même niveau que la grille inférieure.



Commande de filtres de rechange

Au Canada pour tout le service ou les pièces, 1-800-366-PART). Lors du remplacement de votre filtre à eau installé d'origine, demander l'accessoire n° de pièce 4392857.

Tablettes du réfrigérateur

Les tablettes dans votre réfrigérateur peuvent être réglées pour correspondre à vos besoins individuels.

Le remisage d'aliments semblables ensemble dans le réfrigérateur et le réglage des tablettes pour convenir à différentes hauteurs d'articles alimentaires et de contenants, permettra de trouver l'article exact plus facilement et réduira aussi le temps d'ouverture de la porte du réfrigérateur, ce qui économisera de l'énergie.

IMPORTANT : Ne pas nettoyer les tablettes en verre avec de l'eau tiède quand elles sont froides. Les tablettes peuvent se briser si elles sont exposées à des changements soudains de température ou à un impact. Pour votre protection, le verre trempé est conçu pour éclater en d'innombrables pièces minuscules. Ceci est normal.

REMARQUE : Les tablettes en verre sont lourdes. Un soin spécial s'impose lors de leur déplacement pour éviter l'impact d'une chute.

Pour retirer les tablettes de la position d'expédition :

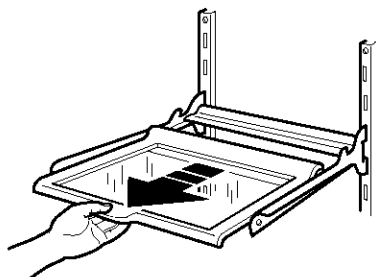
- Saisir le devant de la tablette supérieure avec une main et utiliser l'autre main pour enlever le matériau d'emballage de l'espace des étagères.
- Abaisser le devant de la tablette supérieure jusqu'à ce que les crochets de la tablette puissent être enlevés des crans sur les supports de tablettes sur la paroi arrière du réfrigérateur. Retirer la tablette pour l'enlever.
- Tourner complètement la tablette.
- Insérer les crochets arrière de la tablette dans les crans sur les supports de tablette.
- Incliner le devant de la tablette vers le haut jusqu'à ce que les crochets à l'arrière tombent dans les crans.
- Abaisser le devant de la tablette. Vérifier pour vous assurer que la tablette est bien fixée en position.

Tablettes sur roulettes (sur certains modèles)

Certaines tablettes roulent vers l'extérieur et facilitent l'accès aux aliments placés à l'arrière.

Pour faire glisser la tablette vers l'extérieur, tirer la tablette soigneusement vers vous.

Pour faire glisser la tablette vers l'intérieur, pousser la tablette jusqu'au fond.



Pour enlever une tablette du cadre en métal :

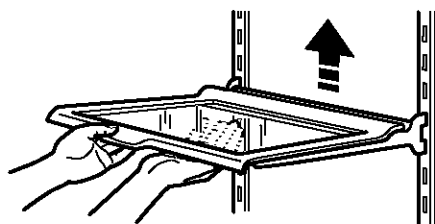
1. Retirer la tablette jusqu'à la butée.
2. Incliner le devant de la tablette vers le haut et la retirer vers l'extérieur un peu plus.
3. Soulever la tablette de sorte que les roulettes se déplacent dans la fente sur le cadre.

Réinstaller la tablettes en suivant l'ordre inverse.

Tablettes et cadres de tablette

Pour retirer un cadre de tablette :

1. Incliner le devant du cadre de la tablette et le soulever à l'arrière.
2. Retirer le cadre de la tablette.



Pour réinstaller un cadre de tablette :

1. Guider les crochets à l'arrière du cadre de la tablette dans les crans sur les supports de tablette à la paroi arrière du réfrigérateur.
2. Incliner le devant du cadre de la tablette jusqu'à ce que les crochets arrière tombent dans les crans.
3. Abaisser le devant du cadre de la tablette en position.

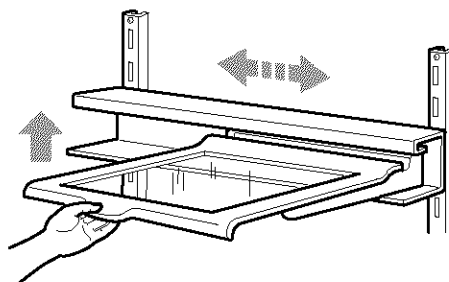
Tablette latérale

(sur certains modèles)

Pour glisser la tablette d'un côté à l'autre :

1. Soulever le devant de la tablette et la glisser à l'endroit désiré.
2. Abaisser la tablette à la position de niveau.

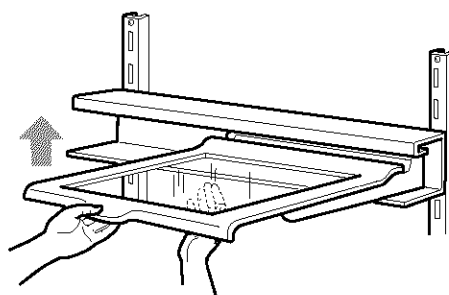
REMARQUE : Il n'est pas nécessaire d'enlever les petites articles de la tablette avant de la déplacer d'un côté à l'autre. Il peut être nécessaire cependant d'enlever les gros articles.



Pour enlever la tablette :

REMARQUE : La tablette est lourde et doit être enlevée à l'aide des deux mains.

1. Enlever tous les articles sur la tablette.
2. Tenir l'arrière de la tablette avec une main.
3. Soulever le devant de la tablette avec l'autre main à un angle de 45° et l'abaisser légèrement pour la dégager du canal supérieur de la glissière.
4. Retirer la tablette directement vers l'extérieur.



Pour enlever la glissière de la tablette :

1. Soulever légèrement les deux côtés de la glissière.
2. Retirer directement vers l'extérieur.

Pour réinstaller la glissière de la tablette :

1. Guider les crochets de la glissière dans les fentes d'appui de la tablette sur la paroi arrière.

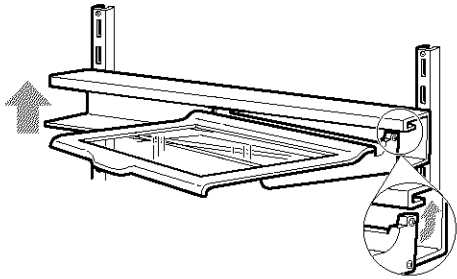
REMARQUE : S'assurer que les deux jeux de crochets de glissière sont dans les fentes et que les fentes sont parallèles l'une avec l'autre.

2. Pousser la glissière à l'arrière et vers le bas pour bien la fixer dans les appuis de la tablette.

Pour réinstaller la tablette :

REMARQUE : S'assurer que les rainures de l'arrière de la tablette sont bien fixées dans la glissière avant de relâcher la tablette. La tablette latérale peut être difficile à installer si la glissière est placée trop près du plafond du réfrigérateur. Repositionner la glissière sur un cran plus bas jusqu'à ce que la tablette puisse être inclinée suffisamment pour glisser facilement dans la glissière.

1. Tenir la tablette à l'avant et incliner le devant à un angle de 45° de la glissière.
2. Insérer les rainures arrière de la tablette dans le canal supérieur de la glissière.
3. Abaisser le devant en position.



Réglage de la température convertible du tiroir de légumes/viande

Le tiroir convertible de légumes/viande peut être ajusté pour refroidir correctement les viandes ou les légumes. Contrairement à la plupart des systèmes de refroidissement des tiroirs à viande, la commande de température refroidit l'air à l'intérieur du contenant. (La plupart des systèmes refroidissent seulement le contenant lui-même, ce qui ne refroidit pas uniformément l'air à l'intérieur du contenant.)

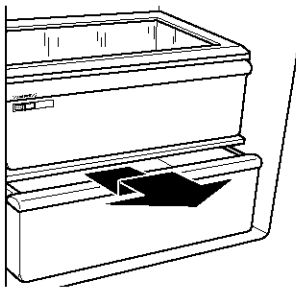
Le refroidissement de l'air à l'intérieur du contenant fournit un refroidissement plus uniforme et réduit les "petits espaces" de congélation. Le réglage de la température peut être fait pour maintenir la viande aux températures recommandées d'entreposage (28°F-32°F) qui sont des températures d'entreposage recommandées par l'Office national du bétail et des viandes.

Pour entreposer les légumes aux températures d'entreposage optimales (il faut des températures plus chaudes que celles pour les viandes) faire le réglage "vegetables" (légumes) complètement vers la gauche.

Tiroir et couvercle convertibles pour légumes/viande

Pour retirer le tiroir :

1. Faire glisser directement vers l'extérieur jusqu'à la butée.
2. Soulever le devant légèrement et glisser le reste du tiroir complètement.
3. Replacer dans le sens inverse.

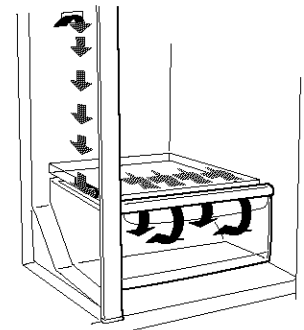


Pour retirer le couvercle :

1. Retirer le tiroir et le bac à légumes.
2. Soulever le devant du couvercle de ses appuis et l'enlever en le retirant vers l'extérieur.

Pour replacer le couvercle :

1. Placer l'arrière du couvercle dans les appuis sur les parois du réfrigérateur et l'abaisser en place.
2. Replacer le tiroir et le bac à légumes.



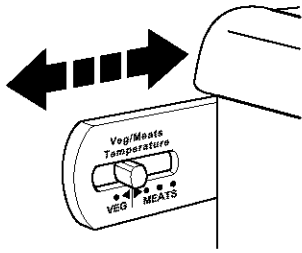
IMPORTANT : Pour prolonger encore plus la fraîcheur, se rappeler d'envelopper les viandes dans des contenants hermétiques et à l'épreuve de l'humidité avant l'entreposage. Toujours garder les viandes selon les recommandations de l'Office national du bétail et des viandes. Voir "Entreposage d'aliments frais" à la section du Guide d'entreposage d'aliments pour plus de renseignements.

Ajustement du réglage

Le réglage convertible est fourni pré-réglé pour vous au réglage le plus bas pour les viandes. Le déplacer vers le réglage central ou "plus froid" si désiré.

Pour changer un réglage : déplacer la commande de réglage vers la droite (plus froid) vers la gauche (moins froid).

Pour garder les légumes : déplacer le réglage complètement vers la gauche au réglage **VEG**.



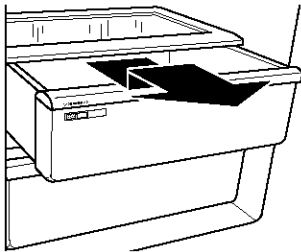
IMPORTANT : Si les aliments commencent à geler, déplacer le réglage par la gauche (moins froid). Se rappeler d'attendre 24 heures entre les ajustements. En agissant ainsi, les températures de l'aliment a le temps de changer.

Bac à légumes et couvercle

Pour retirer le bac à légumes :

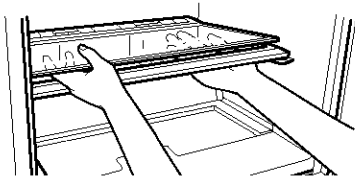
1. Glisser le bac à légumes en ligne droite vers l'extérieur jusqu'à la butée.
2. Soulever le devant.
3. Faire glisser le bac à légumes complètement vers l'extérieur.

Réinstaller le bac à légumes en suivant l'ordre inverse.



Pour retirer le couvercle du bac à légumes :

1. Retirer le bac à légumes.
2. En tenant le verre fermement, choisir un côté du couvercle du bac et soulever l'autre côté par en-dessous.
3. Glisser la plaque de verre vers l'extérieur pour l'enlever.
4. Soulever le cadre du couvercle et le retirer.



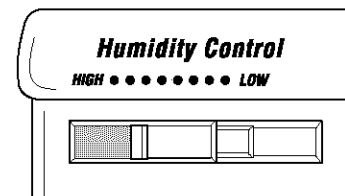
Pour réinstaller le couvercle du bac à légumes :

1. Placer l'arrière du cadre du couvercle dans les appuis de la paroi latérale du réfrigérateur.
2. Abaisser le devant du cadre en place.
3. Faire glisser l'arrière du couvercle en verre dans le cadre du couvercle et abaisser le devant en place.

Réglage de l'humidité dans les bacs à légumes (sur certains modèles)

Ce réglage permet de contrôler le degré d'humidité dans les bacs à légumes étanches. La commande peut être réglée à n'importe quel réglage entre LOW et HIGH.

- En position LOW (ouvert) le réglage laisse échapper l'air humide pour mieux conserver les fruits et légumes à pelure.
- En position HIGH (fermé) le réglage permet de retenir l'humidité à l'intérieur du bac pour mieux conserver les légumes frais et les légumes à feuilles.

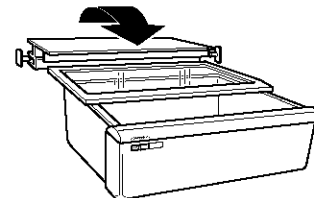


Extension du couvercle du bac à légumes (sur certains modèles)

Pour empêcher les aliments de tomber à l'arrière du bac à légumes, certains modèles ont une extension du couvercle qui couvre l'écart entre la paroi arrière et la surface arrière du bac à légumes. Vous voudrez peut-être enlever cette extension lors du nettoyage.

Pour enlever l'extension du couvercle du bac à légumes :

1. Soulever tout le devant de l'extension.
2. La retirer hors des supports.



Pour remettre l'extension du couvercle du bac à légumes :

1. La fixer dans les supports sur les parois latérales.
2. Apposer le devant sur le couvercle du bac à légumes.

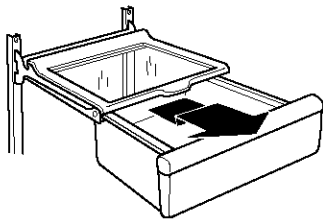
Casier pour petits aliments (sur certains modèles)

Le casier pour petits aliments fournit un endroit pratique pour garder les raisins, noix, tartinades et autres petits aliments à des températures normales de réfrigérateur.

Pour retirer le casier pour petits articles :

1. Faire glisser le casier droit vers l'extérieur jusqu'à la butée.
2. Soulever le devant et le faire glisser complètement vers l'extérieur.

Replacer le casier pour petits articles en suivant l'ordre inverse.



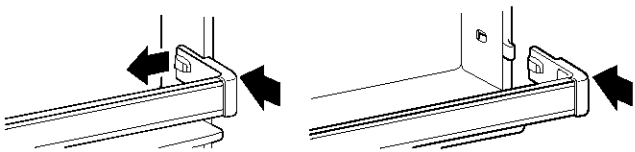
Tringles dans la porte

Les tringles dans la porte peuvent être enlevées pour faciliter le nettoyage.

Tringles enclenchables dans la porte

Pour réinstaller les tringles :

1. Enlever tous les articles rangés sur la tablette.
2. Appuyer légèrement sur le devant du joint en tirant sur la languette interne.
3. Répéter ces étapes pour l'autre extrémité de la tringle.



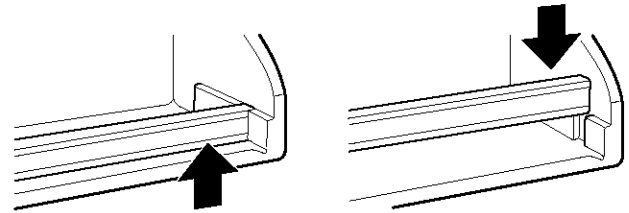
Pour retirer les tringles :

1. Positionner chaque extrémité de la tringle en ligne avec les attaches de chaque côté de la paroi de la porte.
2. Pousser la tringle directement au fond jusqu'à ce qu'elle s'enclenche en position.

Tringles déposées dans la porte

Pour enlever les tringles :

1. Enlever tous les articles rangés sur la tablette.
2. Soulever verticalement chaque extrémité des tringles.



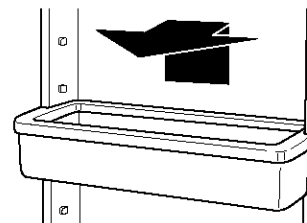
Pour réinstaller les tringles :

1. Glisser la tringle de la tablette dans les fentes sur la porte.
2. Pousser directement vers le bas sur les tringles jusqu'à l'arrêt.

Compartiments dans la porte (sur certains modèles)

Les compartiments dans la porte sont amovibles pour faciliter le nettoyage et le réglage.

1. **Pour retirer le compartiment**, le soulever tout simplement et le retirer directement vers l'extérieur.
2. **Pour réinstaller le compartiment**, le glisser au-dessus du bouton d'appui désiré et abaisser jusqu'à son arrêt.

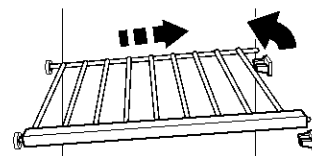


Cueillette de congélateur (le nombre selon le modèle)

Pour retirer la cueillette :

1. Soulever la cueillette de ses appuis.
2. La glisser vers l'extérieur des trous d'appui de la cueillette.

Replacer la cueillette selon l'ordre inverse.

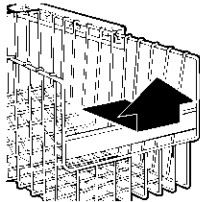


Panier du congélateur (bac en plastique sur certains modèles)

Le panier du congélateur peut être utilisé pour entreposer des sacs de fruits et de légumes surgelés qui pourraient glisser hors de l'étagère du congélateur.

Pour retirer le panier du congélateur :

1. Le glisser vers l'extérieur jusqu'à la butée.
2. Soulever le devant et le côté pour le retirer complètement.



Pour réinstaller le panier :

1. Le positionner sur la glissière en s'assurant que les butées en broches sont dégagées du devant des glissières.
2. Glisser de nouveau le panier vers l'intérieur.

ENTRETIEN DE VOTRE RÉFRIGÉRATEUR

Nettoyage du réfrigérateur

⚠ AVERTISSEMENT



Risque d'explosion

Utiliser un produit de nettoyage ininflammable.
Le non-respect de cette instruction peut causer un décès, une explosion ou un incendie.

Les sections du réfrigérateur et du congélateur se dégivrent automatiquement. Toutes deux doivent cependant être nettoyées environ une fois par mois afin de prévenir l'accumulation d'odeurs. Essuyer immédiatement les produits renversés.

Conseil pour économie d'énergie :

Nettoyer régulièrement les serpentins du condenseur, tel que décrit dans le tableau de nettoyage dans cette section. Un pinceau pour le nettoyage des serpentins peut être acheté. Composer le 1-800-366-PART et demander le numéro de pièce 4210463.

Nettoyage du réfrigérateur :

- Débrancher le réfrigérateur ou déconnecter la source du courant électrique.
- Eulever toutes les pièces amovibles de l'intérieur telles que tablettes, bacs, etc.
- Utiliser une éponge propre ou un linge doux et un détergent doux avec de l'eau tiède. Ne pas utiliser de nettoyeurs abrasifs ou durs.
- Laver manuellement, rincer et sécher toutes les surfaces à fond.
- Brancher le réfrigérateur ou reconnecter la source de courant électrique.

■ **Autres conseils de nettoyage indiqués ci-dessous :**

| PIÈCES | COMMENTAIRES |
|--|---|
| Extérieur | <ul style="list-style-type: none"> Le cirage de surfaces métalliques peintes à l'extérieur, aide à fournir une protection antirouille. Ne pas cirer les pièces en plastique. Cirer les surfaces métalliques peintes au moins deux fois par année avec une cire pour appareils électroménagers (ou cire en pâte de qualité pour automobile). Appliquer la cire avec un linge propre et doux. |
| Parois intérieures (le congélateur doit être assez tiède pour que le chiffon n'adhère pas) | <ul style="list-style-type: none"> Pour aider à éliminer les odeurs, on peut faire le lavage avec un mélange d'eau tiède et de bicarbonate de soude [26 g à 0,95 L] (2 c. à soupe à 1 pinte d'eau). |
| Garnitures et joints des portes | <ul style="list-style-type: none"> Ne pas utiliser de cires nettoyantes, de détergents concentrés, d'eau de Javel ni de nettoyants contenant du pétrole sur les pièces en plastique. |
| Pièces en plastique (couvercles et panneaux) | <ul style="list-style-type: none"> Ne pas utiliser d'essuie-tout en papier, de nettoyants à vitre en atomiseur, de nettoyants à récurer ou de liquides inflammables. Ces produits risquent d'égratigner ou d'endommager le matériau. |
| Serpentins du condenseur | <ul style="list-style-type: none"> Retirer la grille de la base. (Voir section "Grille de la base".) Employer un aspirateur avec un accessoire long pour nettoyer les serpentins du condenseur. Nettoyer à l'aspirateur les serpentins lorsqu'ils sont sales ou poussiéreux. Il se peut que les serpentins aient besoin d'être nettoyés aussi souvent qu'à tous les deux mois. Replacer la grille de la base. |

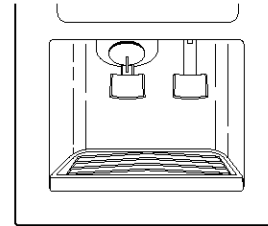
Remplacement des ampoules d'éclairage

REMARQUE : Votre réfrigérateur ne pourra pas accommoder toutes les ampoules pour les appareils ménagers. S'assurer de faire le remplacement par une ampoule de grosseur et de forme semblables.

Ampoules d'éclairage du réfrigérateur

Lumière de l'espace de distribution (sur certains modèles) :

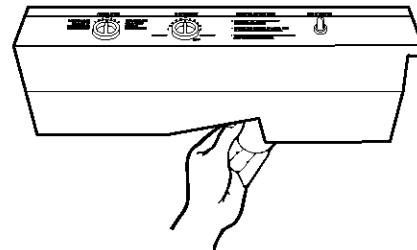
- Débrancher le réfrigérateur ou débrancher la source de courant électrique.
- Saisir l'ampoule dans l'espace de distribution et l'enlever.



- Remplacer l'ampoule par une autre ampoule de 10 watts pour service intense, qui peut être achetée chez votre marchand.
- Brancher le réfrigérateur ou reconnecter la source de courant électrique.

Lumière en arrière du tableau de commande :

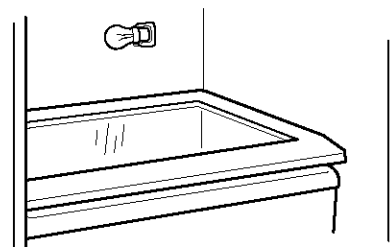
- Débrancher le réfrigérateur ou déconnecter la source de courant électrique.
- Passer à l'arrière du tableau de commande et enlever l'ampoule.
- Remplacer l'ampoule par une autre ampoule de 40 watts pour appareil électroménager.



- Brancher le réfrigérateur ou reconnecter la source de courant électrique.

Lumière des bacs (sur certains modèles) :

- Débrancher le réfrigérateur ou déconnecter la source de courant électrique.
- Retirer le sommet du protecteur de l'ampoule vers l'avant jusqu'à dégagement, et l'abaisser jusqu'à ce que l'ampoule d'éclairage soit visible.
- Remplacer l'ampoule par une autre ampoule de 40 watts pour appareil électroménager.



- Retirer le sommet du protecteur de l'ampoule au-dessus de l'ampoule et l'enclencher sur les appuis de la paroi latérale.
- Brancher le réfrigérateur ou reconnecter la source de courant électrique.

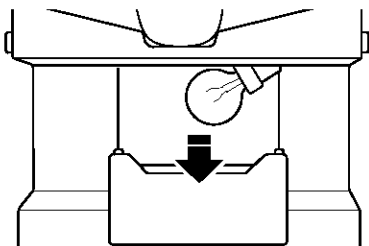
Pour enlever le protecteur de l'ampoule pour le nettoyage :

- Enlever le bac et le couvercle du bac.
- Dégager des appuis de la paroi latérale inférieure la base du protecteur.
- Retirer le protecteur de l'ampoule du dessus du couvercle du bac et le laver à l'eau tiède et un détergent liquide.
- Rincer et sécher le couvercle.
- Pousser le protecteur de l'ampoule vers le haut par-dessus l'ampoule et l'emboîter dans les supports de la paroi latérale.

Ampoules d'éclairage du congélateur

Lumière au-dessous du bac à glaçons :

- Débrancher le réfrigérateur ou déconnecter la source de courant électrique.
- Appuyer sur les côtés du protecteur de l'ampoule et l'abaisser jusqu'à ce que le protecteur se dégage.

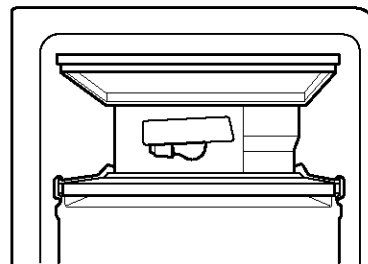


- Remplacer l'ampoule par une ampoule de 40 watts pour appareil électroménager.
- Replacer le protecteur de l'ampoule.
- Brancher le réfrigérateur ou reconnecter la source de courant électrique.

Lumière à la partie supérieure du congélateur (sur certains modèles) :

- Débrancher le réfrigérateur ou déconnecter la source de courant électrique.
- Enlever le protecteur de l'ampoule en saisissant le centre supérieur du protecteur et le retirer vers l'avant en le tournant légèrement d'un côté.

- Remplacer l'ampoule par une ampoule de 40 watts pour appareil électroménager.



- Remplacer le protecteur de l'ampoule en saisissant le centre supérieur du protecteur et en insérant les languettes à une extrémité dans les fentes sur la surface interne du réfrigérateur. Ensuite plier délicatement le protecteur au centre pour insérer les languettes à l'autre extrémité.
- Brancher le réfrigérateur ou reconnecter la source de courant électrique.

Pannes de courant

En cas de panne de courant, téléphoner à la compagnie d'électricité pour demander la durée de la panne.

- Si le service doit être interrompu durant **24 heures ou moins, garder les deux portes fermées** pour aider les aliments à demeurer froids et congelés.

- Si le service doit être interrompu **pendant plus de 24 heures :**

- Retirer tous les aliments congelés et les entreposer dans un entrepôt frigorifique.

OU

- Placer 907 g (2 lb) de neige carbonique dans le congélateur pour chaque pied cube (28 litres) d'espace de congélation. Cette quantité permettra de garder les aliments congelés durant deux à quatre jours. Porter des gants pour protéger les mains contre les morsures de la glace lorsque vous employez de la neige carbonique.

OU

- S'il n'y a pas d'entrepôt frigorifique ni de neige carbonique, consommer ou mettre immédiatement en conserve les aliments périssables.

REMARQUE : Un congélateur plein restera froid plus longtemps qu'un congélateur partiellement rempli. Un congélateur plein de viandes demeure froid plus longtemps qu'un congélateur rempli de pains et de pâtisseries. Si les aliments contiennent des cristaux de glace, ils peuvent être remis à congeler sans danger même si la qualité et la saveur risquent d'être affectées. Si les aliments semblent de piètre qualité ou douteux, les jeter.

Entretien avant les vacances ou lors d'un déménagement

Vacances

Si vous choisissez de laisser le réfrigérateur en fonctionnement pendant votre absence, utiliser ces étapes pour préparer votre réfrigérateur avant d'aller en vacances.

1. Consommer tous les aliments périssables et congeler les autres articles au congélateur.
2. Si votre réfrigérateur a une machine à glaçons automatique :
 - Soulever le bras de la machine à glaçons à la position OFF (élevée).
 - Fermer l'approvisionnement d'eau à la machine à glaçons.
3. Vider le bac à glaçons.

Si vous choisissez d'arrêter le fonctionnement du réfrigérateur avant votre absence, observer ces étapes.

1. Enlever tous les aliments du réfrigérateur.
2. Si votre réfrigérateur a une machine à glaçons automatique :
 - Fermer l'approvisionnement d'eau à la machine à glaçons au moins une journée à l'avance.
 - Lorsque la dernière quantité de glaçons est déposée, soulever le bas de la machine à glaçons à la position OFF (élevée).
3. Tourner la commande du thermostat (ou la commande du réfrigérateur, selon le modèle) à OFF. Voir la section "Réglage des commandes".
4. Nettoyer le réfrigérateur, l'essuyer et bien le sécher.
5. À l'aide d'un ruban adhésif, placer des blocs de caoutchouc ou de bois dans la partie supérieure de chaque porte de façon à ce qu'elles soient suffisamment ouvertes pour permettre la circulation de l'air à l'intérieur, afin d'éviter l'accumulation d'odeur ou de moisissure.

Déménagement

Lorsque vous déménagez votre réfrigérateur à une nouvelle habitation, suivre ces étapes pour préparer le déménagement.

1. Si votre réfrigérateur a une machine à glaçons automatique :
 - Fermer l'approvisionnement d'eau de la machine à glaçons au moins une journée à l'avance.
 - Débrancher la canalisation d'eau de l'arrière du réfrigérateur.
 - Lorsque la dernière quantité de glaçons est tombée, soulever le bras de commande à la position OFF (élevée).
2. Retirer tous les aliments du réfrigérateur et placer tous les aliments congelés dans de la neige carbonique.

3. Tourner le thermostat (ou réglage du réfrigérateur, selon le modèle) à OFF (arrêt). Voir la section "Réglage des commandes".
4. Débrancher le réfrigérateur de la prise.
5. Vider l'eau du plat de dégivrage.
6. Nettoyer, essuyer et sécher à fond.
7. Retirer toutes les pièces amovibles, bien les envelopper et les attacher ensemble à l'aide de ruban adhésif pour qu'elles ne bougent pas ni ne s'entrechoquent durant le déménagement.
8. Soulever le devant du réfrigérateur pour qu'il roule plus facilement. Voir la section "Fermeture des portes".
9. Fermer la porte à l'aide de ruban adhésif et fixer le cordon d'alimentation à la caisse du réfrigérateur.

Lorsque vous arriverez à votre nouvelle habitation, remettre tout en place et consulter la section "Installation du réfrigérateur" pour les instructions de préparation. Aussi, si votre réfrigérateur a une machine à glaçons automatique, rappelez-vous de rebrancher l'approvisionnement d'eau au réfrigérateur.

GUIDE DE DÉPANNAGE

Essayer les solutions suggérées ici en premier afin d'éviter possiblement les coûts d'une visite de service.

Le réfrigérateur ne fonctionne pas

- **Le cordon d'alimentation électrique est débranché.**
Brancher fermement le cordon du courant électrique dans une prise de courant active avec tension appropriée.
 - **Un fusible est grillé ou le disjoncteur s'est déclenché.**
Remplacer le fusible ou enclencher de nouveau le disjoncteur.
 - **Le réglage du réfrigérateur est à la position "OFF" (arrêt).**
Voir la section "Réglage des commandes".
 - **Le réfrigérateur se dégivre.**
Vérifier pour voir si le réfrigérateur fonctionne au bout de 30 minutes. Le réfrigérateur exécutera régulièrement un programme automatique de dégivrage.
-

Les ampoules n'éclairent pas

- **Le cordon du courant électrique est débranché.**
Brancher fermement le cordon du courant électrique dans une prise de courant active avec tension appropriée.
 - **Une ampoule d'éclairage est délogée dans la douille.**
Tourner le réglage du réfrigérateur à OFF (arrêt). Débrancher le réfrigérateur de la source d'alimentation électrique. Enlever délicatement l'ampoule et la réinsérer. Ensuite rebrancher le réfrigérateur à la source de courant électrique et faire de nouveau le réglage du réfrigérateur.
 - **Une ampoule est grillée.**
Remplacer par une ampoule d'appareil électroménager de tension, de grosseur et de format similaires. Voir la section "Remplacement des ampoules d'éclairage".
-

Le plat de dégivrage contient de l'eau

- **Le réfrigérateur se dégivre.**
L'eau s'évaporera. C'est normal pour l'eau de dégoutter dans le plat de dégivrage.
 - **C'est plus humide que normalement.**
Prévoir que l'eau dans le plat de dégivrage prend plus de temps à s'évaporer. Ceci est normal quand il fait chaud ou humide.
-

Le moteur semble fonctionner excessivement

- **La température ambiante est plus chaude que normalement.**
Prévoir que le moteur fonctionnera plus longtemps dans des conditions de chaleur. Pour des températures ambiantes normales, prévoir que le moteur fonctionne environ 40% à 80% du temps. Dans des conditions plus chaudes, prévoir un fonctionnement encore plus fréquent.
- **Une grande quantité d'aliments vient d'être ajoutée au réfrigérateur.**
L'addition d'une grande quantité d'aliments réchauffe le réfrigérateur. Il est normal que le moteur fonctionne plus longtemps afin de refroidir de nouveau le réfrigérateur. Voir la section "Conservation des aliments".
- **La porte est fréquemment ouverte.**
Prévoir que le moteur fonctionnera plus longtemps dans ce cas. Afin de conserver l'énergie, essayer de sortir tout ce dont vous avez besoin du réfrigérateur à la fois, garder les aliments organisés de sorte qu'ils sont faciles à trouver et fermer la porte dès que les aliments sont retirés.
- **Les réglages ne sont pas faits correctement pour les conditions ambiantes.**
Voir la section "Réglage des commandes".
- **Les portes ne sont pas complètement fermées .**
Pousser les portes pour qu'elles soient bien fermées. Si les portes ne ferment pas complètement, voir "Les portes ne se ferment pas complètement" plus loin dans cette section.
- **Les serpentins du condenseur sont sales.**
Cette situation empêche le transfert de l'air et fait travailler davantage le moteur. Nettoyer les serpentins du condenseur. Voir la section "Nettoyage du réfrigérateur".
- **Les joints des portes ne sont pas hermétiques sur tout le contour.**
Contacter une personne qualifiée ou un technicien.

REMARQUE : Si le problème n'est pas attribuable à l'une des situations ci-dessus, rappelez-vous que votre réfrigérateur neuf fonctionnera plus longtemps que l'ancien appareil du fait de son moteur très efficace.

Le réfrigérateur semble faire trop de bruit

- **Les sons et bruits sont communs pour les réfrigérateurs neufs.**
Voir la section "Les bruits de l'appareil que vous pouvez entendre".
-

La machine à glaçons ne produit pas de glaçons

- **La température du congélateur n'est pas assez froide pour produire des glaçons.**
Attendre 24 heures après la connexion de la machine à glaçons pour la production de glaçons. Voir la section "Réglage des commandes".
- **Le levier de la machine à glaçons est en position "OFF" (élevée).**
Abaisser le bras à la position "ON" (abaissée). Voir la section "Bac d'entreposage de la machine à glaçons".
- **La valve de la canalisation d'eau reliée au réfrigérateur n'est pas ouverte.**
Ouvrir la valve d'eau. Voir la section "Raccordement du réfrigérateur à une canalisation d'eau".
- **Un glaçon est coincé dans le bras éjecteur.**
Enlever le glaçon du bras éjecteur avec un ustensile en plastique. Voir "Bac d'entreposage de la machine à glaçons".
- **Le moule de la machine à glaçons n'a pas d'eau ou aucun glaçon n'a été produit.**
Vérifier pour voir si le réfrigérateur a été branché à la canalisation d'eau de la maison, et si la valve d'arrêt de la canalisation est ouverte. Voir la section "Raccordement du réfrigérateur à une canalisation d'eau".

REMARQUE : Si cette situation n'est pas attribuable à ce qui précède, il peut exister un problème avec la canalisation d'eau. Faire un appel de service.

La machine à glaçons produit trop peu de glaçons

- **La machine à glaçons vient juste d'être installée.**
Attendre 72 heures pour le commencement de la production complète de glaçons. Une fois que le réfrigérateur est refroidi, la machine à glaçons devrait commencer à produire de 70 à 120 glaçons à toutes les 24 heures.
- **Une grande quantité de glaçons vient d'être enlevée.**
Attendre 24 heures pour que la machine à glaçons produise plus de glaçons.
- **Les réglages ne sont pas faits correctement.**
Voir la section "Réglage des commandes".
- **Le robinet d'eau n'est pas complètement ouvert.**
Tourner complètement le robinet à la position ouverte. Voir la section "Raccordement du réfrigérateur à une canalisation d'eau".
- **Un filtre à eau est installé sur le réfrigérateur. Ce filtre peut être obstrué ou installé incorrectement.**
Vérifier d'abord les instructions d'installation du filtre pour s'assurer que le filtre a été installé correctement et qu'il n'est pas obstrué. Si l'installation ou l'obstruction n'est pas le problème, téléphoner à un technicien qualifié.

Mauvais goût ou odeur des glaçons

- **Les raccords de plomberie sont neufs et causent une décoloration et un mauvais goût des glaçons.**
Jeter les vieux glaçons et en faire une nouvelle provision.
- **Les glaçons ont été gardés trop longtemps.**
Jeter les vieux glaçons et en faire une nouvelle provision.
- **Les aliments dans le réfrigérateur ou le congélateur n'ont pas été bien emballés.**
Voir la section "Guide de conservation des aliments".
- **Le congélateur et le bac à glaçons ont besoin d'être nettoyés.**
Voir la section "Nettoyage du réfrigérateur".
- **L'eau contient des minéraux (tel que le soufre).**
L'installation d'un filtre peut être requise afin d'enlever les minéraux.
- **Un filtre à eau est installé sur le réfrigérateur. Une décoloration grise ou foncée dans la glace indique que le système de filtration de l'eau a besoin d'un rinçage additionnel.**
Faire couler de l'eau supplémentaire dans le distributeur d'eau pour mieux nettoyer le système de filtration de l'eau (au moins deux à trois gallons ou pendant 6 à 7 minutes initialement). Jeter la glace décolorée.

Le distributeur de glaçons ne fonctionne pas correctement

- **La porte du congélateur n'est pas complètement fermée.**
Pousser la porte pour qu'elle soit bien fermée. Si elle ne ferme pas complètement, voir plus loin dans cette section "Les portes ne se ferment pas complètement".
- **Le bac à glaçons n'est pas correctement installé.**
Pousser le bac à glaçons complètement. Si le bac à glaçons n'est pas poussé jusqu'au fond, il peut ne pas avoir été placé droit. Le retirer et essayer de nouveau.
- **Les mauvais glaçons ont été ajoutés au bac.**
Utiliser seulement des cubes produits par la machine à glaçons courante. Si d'autres cubes ont été ajoutés, enlever tous les cubes et vérifier pour voir si un glaçon s'est coincé dans la chute de livraison.

- **Les glaçons ont gelé dans le bac à glaçons.**
Secouer le bac à glaçons pour séparer les cubes. Si les cubes ne se séparent pas, vider le bac et attendre 24 heures pour regarnir le stock de glaçons.
- **La glace a fondu autour de la tige en métal dans le seau à glaçons.**
Vider les cubes de glace et nettoyer le seau à glaçons complètement. Accorder 24 heures pour que la machine à glaçons regarnisse le stock. Ne pas essayer d'enlever la glace fondue avec un objet pointu. Vous pourriez endommager le seau à glace.
- **Un glaçon est coincé dans la chute de livraison.**
Dégager le glaçon de la chute de livraison à l'aide d'un ustensile en plastique. Ne pas utiliser un article pointu pour enlever la glace. Vous pourriez causer des dommages.
- **Il n'y a pas de glaçon dans le seau.**
Voir "La machine à glaçons ne produit pas de glaçons" plus haut dans cette section.
- **Le levier de distribution a été tenu trop longtemps.**
Dégager le levier de distribution. Les glaçons cesseront d'être distribués lorsque le levier est tenu trop longtemps. Attendre 3 minutes pour que le moteur du distributeur soit réglé de nouveau avant d'être utilisé. (Pour utilisation ultérieure, prenez de grandes quantités de glaçons directement de la machine à glaçon de sorte que le levier de distribution n'est pas tenu trop longtemps.)

Le distributeur d'eau ne fonctionne pas correctement

- **La porte du congélateur n'est pas complètement fermée.**
Pousser la porte fermement. Si elle n'est pas fermée complètement, voir "Les portes ne se ferment pas complètement" plus loin dans cette section.
- **Le réservoir d'eau n'a pas été rempli.**
Le réservoir d'eau a besoin d'être rempli la première fois qu'il est utilisé. Abaisser la barre de distribution avec un grand contenant jusqu'au retrait de 2 ou 3 pintes (1,9 à 2,8 L) d'eau. Jeter l'eau (se référer à la section "Distributeur d'eau et de glaçons" pour d'autres instructions sur la façon de remplir le réservoir d'eau.)
- **Le robinet de fermeture d'eau n'est pas ouvert ou la canalisation d'eau n'est pas raccordée à la source.**
Vérifier pour s'assurer que le robinet d'arrêt d'eau est ouvert et que la source d'eau est connectée au réfrigérateur. Voir la section "Raccordement du réfrigérateur à une source d'eau".
- **Le robinet de fermeture d'eau est obstrué ou incorrectement installé.**
Se référer à la section "Raccordement du réfrigérateur à une source d'eau". Faire un appel de service ou faire venir un plombier.

- **Il existe un tortillement dans la canalisation de la source d'eau à la maison.**
Si vous découvrez ou soupçonnez un tortillement dans la canalisation d'eau, faire un appel de service.
- **Un filtre à eau est installé sur le réfrigérateur. Le filtre peut être obstrué ou incorrectement installé.**
Vérifier d'abord les instructions d'installation du filtre pour s'assurer que le filtre a été installé correctement et n'est pas obstrué. Si l'installation ou l'obstruction n'est pas un problème, faire un appel de service.

L'eau ou la glace coule du distributeur

- **Le verre n'est pas tenu sous le distributeur de glaçons assez longtemps, ce qui cause le renversement des glaçons.**
Tenir le contenant sous la chute de glaçons pendant 2 à 3 secondes après avoir relâché le levier de distribution. Une petite quantité de glaçons peut être distribuée après le dégagement du levier.
- **Le verre n'est pas tenu sous le distributeur d'eau assez longtemps et l'eau dégoutte.**
Tenir le contenant sous le distributeur d'eau pendant 2 à 3 secondes après le dégagement du levier de distribution. L'eau peut continuer à couler durant ce temps.
- **Un glaçon est coincé dans la chute et maintient ouverte la porte de distribution.**
Enlever le glaçon.
- **Un filtre à eau est installé sur le réfrigérateur. Il peut y avoir de l'air dans les canalisations du système de filtration de l'eau ce qui cause des gouttes.**
Une purge supplémentaire pourrait aider à faire sortir l'air des canalisations. L'utilisation normale du distributeur devrait expulser l'air des canalisations en deçà de 24 à 72 heures.

L'eau du distributeur n'est pas assez froide

- **Le réfrigérateur est-il nouvellement installé.**
Accorder 24 heures pour que le réservoir se refroidisse complètement.
- **Une grande quantité d'eau a été récemment distribuée.**
Accorder 24 heures pour que le réservoir se refroidisse complètement.
- **Aucune eau n'a été récemment distribuée.**
Le premier verre d'eau peut ne pas être froid. Jeter le premier verre d'eau.

La cloison entre les deux sections est tiède

- La température tiède est probablement attribuable à un fonctionnement normal du réglage automatique de l'humidité de l'extérieur. En cas de doute, faire un appel de service.

La température est trop tiède

- **Les ouvertures d'aération sont bloquées dans une section ou l'autre. Cette obstruction empêche le mouvement de l'air froid du congélateur au réfrigérateur.**
Enlever tous les objets placés en avant des ouvertures d'aération. Consulter "Pour une circulation d'air appropriée" pour l'emplacement des ouvertures d'aération.
- **La porte ou les portes sont souvent ouvertes.**
Prévoir que le réfrigérateur deviendra tiède dans ce cas. Pour garder le réfrigérateur froid, essayer de sortir tout ce dont vous avez besoin du réfrigérateur à la fois, garder les aliments bien rangés de sorte qu'il soit facile de les trouver et fermer la porte dès que les aliments sont retirés.
- **Une grande quantité d'aliments vient d'être ajoutée au réfrigérateur ou au congélateur.**
L'addition d'une grande quantité d'aliments réchauffe le réfrigérateur. Plusieurs heures peuvent être nécessaires pour que le réfrigérateur revienne à la température normale.
- **Les réglages ne sont pas faits correctement pour les conditions ambiantes.**
Voir la section « Réglage des commandes ».

Il existe une accumulation d'humidité à l'intérieur

- **Les ouvertures de circulation d'air sont bloquées dans le réfrigérateur.**
Enlever tous les objets en avant des ouvertures d'air. Se référer à la section "S'assurer d'une circulation appropriée d'air" pour l'emplacement des ouvertures d'air.
- **La porte est souvent ouverte.**
Pour éviter l'accumulation d'humidité, essayer de sortir tout ce dont vous avez besoin du réfrigérateur à la fois, en gardant les aliments organisés pour qu'ils soient faciles à trouver, et fermer la porte dès que les aliments sont retirés. (Lorsque la porte est ouverte, l'humidité ambiante de la pièce pénètre dans le réfrigérateur. Le plus souvent la porte est ouverte, le plus rapidement l'humidité s'accumule, surtout lorsque la pièce elle-même est très humide.)
- **La pièce est humide.**
Il est normal pour l'humidité de s'accumuler à l'intérieur du réfrigérateur lorsque l'air de l'extérieur est humide.
- **Les aliments ne sont pas correctement emballés.**
Vérifier que tous les aliments sont bien emballés. Si nécessaire, emballer de nouveau les aliments d'après les directives à la section "Guide de conservation des aliments". Essuyer les contenants humides d'aliments avant de les placer au réfrigérateur.

- **Les réglages ne sont pas correctement faits pour les conditions ambiantes.**
Voir la section "Réglage des commandes".
- **Un programme autodégivreur a été complété.**
Il est normal que les gouttelettes se forment sur la paroi arrière après que le réfrigérateur se dégivre automatiquement.

Les portes ne se ferment pas complètement

- **Les emballages d'aliments empêchent la porte de fermer.**
Réorganiser les contenants de sorte qu'ils soient plus rapprochés et prennent moins d'espace.
- **Le bac à glaçons n'est pas en bonne position.**
Pousser le bac à glaçons jusqu'au fond.
- **Les plats, tablettes, bacs ou paniers ne sont pas en position.**
Placer le couvercle du bac à légumes et tous les plats, tablettes, bacs et paniers à la position correcte. Voir plus de renseignements à la section "Bac à légumes et couvercle du bac à légumes".
- **Les joints collent.**
Nettoyer les joints et ensuite appliquer de la paraffine d'après les instructions qui sont fournies à la section "Fermeture des portes".
- **Le réfrigérateur n'est pas d'aplomb ou semble instable.**
Niveler le réfrigérateur. Consulter la section "Fermeture des portes".
- **Les portes ont été enlevées durant l'installation de l'appareil et n'ont pas été bien installées.**
Enlever et replacer les portes en suivant la section "Enlèvement des portes" ou faire venir une personne qualifiée.

Les portes sont difficiles à ouvrir

- **Les joints sont sales ou collants.**
Nettoyer les joints et ensuite appliquer de la paraffine en suivant les directives à la section "Nettoyage du réfrigérateur".

Le débit d'eau du distributeur diminue beaucoup

- **Un filtre à eau est installé sur le réfrigérateur. Le filtre peut être plein ou incorrectement installé.** Ôter la cartouche du filtre à eau (voir la section "Système de filtration d'eau"). Faire fonctionner le distributeur. Si le débit d'eau s'accroît beaucoup, votre filtre est plein et doit être remplacé.

SERVICE D'ENTRETIEN SEARS

“Nous faisons l’entretien des produits que nous vendons” est notre assurance vous permettant de compter sur Sears pour l’entretien. Votre appareil électroménager Kenmore offre une valeur ajoutée lorsque vous considérez que Sears compte des centres de service dans tout le pays, avec techniciens professionnels formés pour tous les produits électroménagers vendus par Sears. Ces gens ont la connaissance et les compétences, les outils, les pièces et l’équipement pour assurer notre engagement envers vous à savoir que “Nous faisons l’entretien des produits que nous vendons”.

Contrat d’entretien Sears

Maintenez la valeur de votre achat avec un contrat d’entretien Sears. Les appareils électroménagers Kenmore sont conçus, fabriqués et testés pour des années de fonctionnement fiable. Toutefois, tout appareil électroménager peut exiger un entretien de temps à autre. Le contrat d’entretien Sears vous offre un programme de service remarquable pour votre appareil.

Le contrat d’entretien Sears

- Est votre moyen d’acheter le service de demain à des prix d’aujourd’hui.
- Élimine les frais de réparation qui résultent de l’usage normal.
- Permet autant d’appels de service dont vous avez besoin.
- Fournit une vérification annuelle d’entretien préventif sur votre demande pour garder votre appareil électroménager Kenmore dans un bon état de fonctionnement.

**Pour plus de renseignements, composer
1-800-827-6655.**

CERTIFICATIONS DE FILTRE À EAU

Feuille de données sur le produit

Système de filtration d'eau modèle NLC-250



Ce produit a été testé et homologué par NSF International en vertu de la norme 42 ANSI/NSF pour le goût, l'odeur et la réduction de chlore (catégorie I), la réduction des particules (catégorie I) et de la norme 53 pour kyste, turbidité et réduction de plomb.

Spécifications : Capacité de réduction de plomb, particules (catégorie I), kyste, turbidité et goût/odeur/chlore (catégorie I)

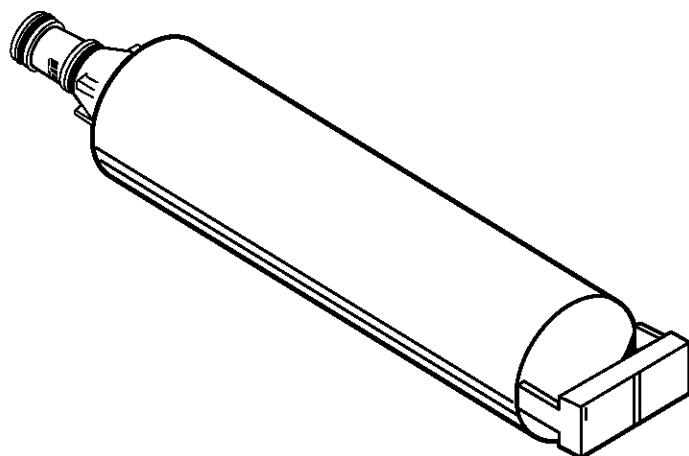
946 Liters (250 gallons)

Débit de service 0,5 GPM (1,89 L/mn) à 60 lb/po²

| Effets esthétiques - réduction de substances | Affluent moyen | Effluent maximal | Effluent moyen | % de réduction minimal | % de réduction moyen | Exigence de test NSF |
|--|-------------------------|------------------|----------------|------------------------|----------------------|--|
| Chlore | 1,9 mg/L | N/A | 0,04 mg/L | N/A | 97,9 % | réduction minimale de 75 % (catégorie I) |
| Particules | 610,000/mL [†] | N/A | 154/mL | N/A | 99,97% | mínimo 85% de reducción (Clase I) |

| Réduction de substance Effets sur la santé | U.S. EPA MCL | Affluent moyen | Effluent maximal | Effluent moyen | % de réduction minimal | % de réduction moyen | Exigence de test NSF |
|---|--------------|-------------------------|------------------|----------------|------------------------|----------------------|------------------------------|
| Kyste | 99,95% | 89,250/mL [†] | 6/mL | 2,3/mL | 99,993% | 99,997% | réduction minimale de 99,95% |
| Turbidité | 0,5 NTU | 29 NTU | 0,12 NTU | 0,09 NTU | 99,59% | 99,69% | effluent maximal 1,0 NTU |
| Plomb à pH 6,5 | 0,015 mg/L | 0,16 mg/L ^{††} | 0,001 mg/L | 0,001 mg/L | 99,4 % | 99,4 % | effluent maximal 0,015 mg/L |
| Plomb à pH 8,5 | 0,015 mg/L | 0,16 mg/L ^{††} | 0,002 mg/L | 0,001 mg/L | 98,8 % | 99,4 % | effluent maximal 0,015 mg/L |

[†] L'exigence de test est d'au moins 10 0000 particules/mL de poussière de test fine AC. ^{††} L'exigence de test est de 0,15mg/L ± 10% Ces contaminants ne se trouvent pas nécessairement dans votre approvisionnement d'eau. La performance peut varier en fonction des conditions d'eau locales.



Directives d'application/ Paramètres d'approvisionnement en eau

| | |
|--------------------------|--|
| Approvisionnement en eau | Ville ou puits |
| Pression d'eau | 30-120lb/po ² (207-827 kPa) |
| Température de l'eau | 33-100° F (0,6°-37,8° C) |

- Il est essentiel que les exigences de fonctionnement, d'entretien et de remplacement de filtre soient respectées pour que ce produit donne le rendement annoncé.
- Changer la carouche au moins tous les 6 à 9 mois. Utiliser la cartouche de rechange n° de pièce NLC-250 ou 4392922. Le prix conseillé au détail est 39,95 \$ U.S.A./ 49,95 \$ Canada.
- Le produit ne doit être utilisé que pour l'eau froide seulement.
- Ne pas utiliser avec de l'eau microbiologiquement dangereuse ou de qualité inconnue sans une désinfection adéquate avant et après le système. Les systèmes certifiés pour la réduction des kystes peuvent être utilisés avec de l'eau désinfectée qui peut contenir des kystes filtrables.

Feuille de données sur le produit

Système de filtration d'eau modèle LC-400



Ce produit a été testé et homologué par NSF International en vertu de la norme 42 ANSI/NSF pour le goût, l'odeur et la réduction de chlore (catégorie I), la réduction des particules (catégorie I) et de la norme 53 pour kyste, turbidité et réduction de plomb.

Spécifications : Capacité de réduction de plomb, particules (catégorie I), kyste, turbidité et goût/odeur/chlore (catégorie I)
1514 Liters (400 gallons)
 Débit de service 0,5 GPM (1,89 L/mn) à 60 lb/po²

| Effets esthétiques - réduction de substances | Affluent moyen | Effluent maximal | Effluent moyen | % de réduction minimal | % de réduction moyen | Exigence de test NSF |
|--|-------------------------|------------------|----------------|------------------------|----------------------|--|
| Chlore | 2,0 mg/L | N/A | 0,04 mg/L | N/A | 98 % | réduction minimale de 75 % (catégorie I) |
| Particules | 610,000/mL [†] | N/A | 154/mL | N/A | 99% | réduction minimale de 85% (catégorie I) |

| Réduction de substance Effets sur la santé | U.S. EPA MCL | Affluent moyen | Effluent maximal | Effluent moyen | % de réduction minimal | % de réduction moyen | Exigence de test NSF |
|--|--------------|-------------------------|------------------|----------------|------------------------|----------------------|-----------------------------|
| Kyste | 99,95% | 89,250/mL [†] | 6/mL | 2,3/mL | 99,993% | 99,997% | réduction minimale de 85% |
| Turbidité | 0,5 NTU | 29 NTU | 0,12 NTU | 0,09 NTU | 99,95% | 99,69% | effluent maximal 1,0 NTU |
| Plomb à pH 6,5 | 0,015 mg/L | 0,16 mg/L ^{††} | 0,001 mg/L | 0,001 mg/L | 99,4 % | 99,4 % | effluent maximal 0,015 mg/L |
| Plomb à pH 8,5 | 0,015 mg/L | 0,16 mg/L ^{††} | 0,002 mg/L | 0,001 mg/L | 98,8 % | 99,4 % | effluent maximal 0,015 mg/L |

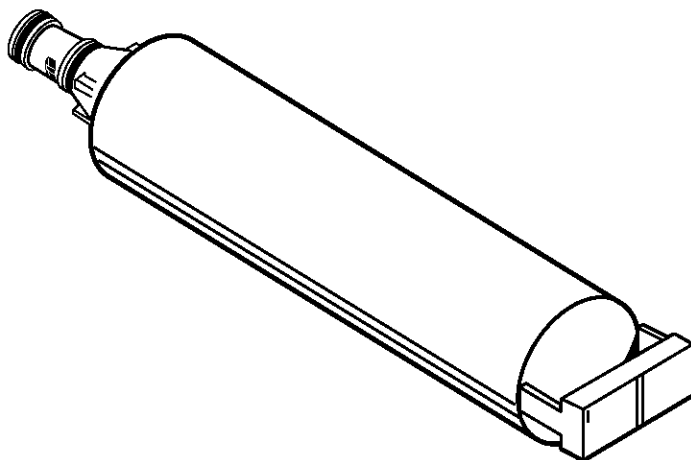
[†] L'exigence de test est d'au moins 10 0000 Particules/mL de poussière de test fine AC.

^{††} L'exigence de test est de 0,15mg/L ± 10%. Ces contaminants ne se trouvent pas nécessairement dans votre approvisionnement d'eau. La performance peut varier en fonction des conditions d'eau locales.

Directives d'application/ Paramètres d'approvisionnement en eau

| | |
|--------------------------|--|
| Approvisionnement en eau | Ville ou puits |
| Pression d'eau | 30-120lb/po ² (207-827 kPa) |
| Température de l'eau | 33-100° F (0,6°-37,8° C) |

- Il est essentiel que les exigences de fonctionnement, d'entretien et de remplacement de filtre soient respectées pour que ce produit donne le rendement annoncé.
- Le système de contrôle du filtre mesure la quantité d'eau qui passe par le filtre et vous signale quand remplacer le filtre. Lorsque 90 % de la vie utile du filtre sont écoulés, le témoin lumineux du filtre passe du vert au jaune. Lorsque 100 % de la vie utile du filtre sont écoulés, le témoin lumineux du filtre passe du jaune au rouge, et il est recommandé que vous remplaciez le filtre. Utiliser la cartouche de rechange n° de pièce NLC-400 ou 4392922. Le prix conseillé au détail est 39,95 \$ U.S.A./ 49,95 \$ Canada.
- Le produit ne doit être utilisé que pour l'eau froide seulement.
- Ne pas utiliser avec de l'eau microbiologiquement dangereuse ou de qualité inconnue sans une désinfection adéquate avant et après le système. Les systèmes certifiés pour la réduction des kystes peuvent être utilisés avec de l'eau désinfectée qui peut contenir des kystes filtrables.



Feuille de données sur le produit

Systeme de filtration d'eau modele WF-L500



Ce produit a été testé et homologué par NSF International en vertu de la norme 42 ANSI/NSF pour le goût, l'odeur et la réduction de chlore (catégorie I) et de la norme 53 pour la réduction de plomb.

Spécifications : Capacité de réduction de plomb et goût/odeur/chlore (catégorie I)
1893 Liters (500 gallons)
Débit de service 0,5 GPM (1,89 L/mn) à 60 lb/po²

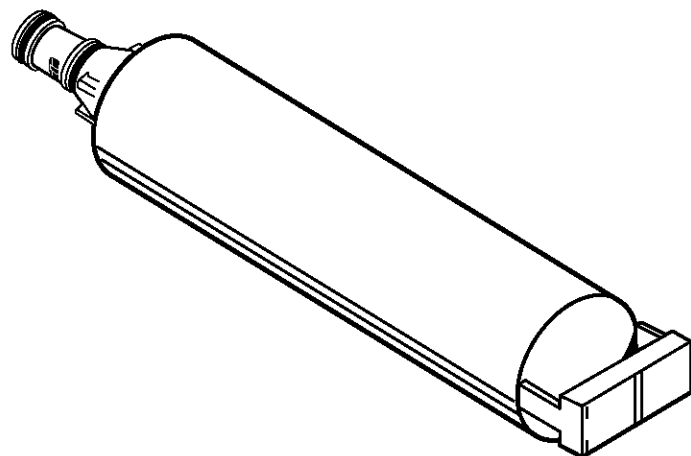
| Rendement général | Affluent moyen | Effluent maximal | Effluent moyen | % de réduction minimal | % de réduction moyen | Exigence de test NSF |
|-------------------|----------------|------------------|----------------|------------------------|----------------------|--|
| Chlore | 2,0 mg/L | N/A | 0,1 mg/L | N/A | 95 % | réduction minimale de 75 % (catégorie I) |

| Performance de réduction de contaminant ^{††} | U.S. EPA MCL | Affluent moyen | Effluent maximal | Effluent moyen | % de réduction minimal | % de réduction moyen | Exigence de test NSF |
|---|--------------|------------------------|------------------|----------------|------------------------|----------------------|-----------------------------|
| Plomb à pH 6,5 | 0,015 mg/L | 0,16 mg/L [†] | 0,007 mg/L | 0,005 mg/L | 95,6 % | 96,8 % | effluent maximal 0,015 mg/L |
| Plomb à pH 8,5 | 0,015 mg/L | 0,14 mg/L [†] | 0,012 mg/L | 0,008 mg/L | 91,4 % | 94,3 % | effluent maximal 0,015 mg/L |

[†] L'exigence de test est de 0,15 mg/L \pm 10 %. ^{††} Ces contaminants ne se trouvent pas nécessairement dans votre approvisionnement d'eau. La performance peut varier en fonction des conditions d'eau locales.

Directives d'application/ Paramètres d'approvisionnement en eau

| | |
|--------------------------|--|
| Approvisionnement en eau | Ville ou puits |
| Pression d'eau | 30-120lb/po ² (207-827 kPa) |
| Température de l'eau | 33-100° F (0,6°-37,8° C) |



- Il est essentiel que les exigences de fonctionnement, d'entretien et de remplacement de filtre soient respectées pour que ce produit donne le rendement annoncé.
- Le système de contrôle du filtre mesure la quantité d'eau qui passe par le filtre et vous signale quand remplacer le filtre. Lorsque 90 % de la vie utile du filtre sont écoulés, le témoin lumineux du filtre passe du vert au jaune. Lorsque 100 % de la vie utile du filtre sont écoulés, le témoin lumineux du filtre passe du jaune au rouge, et il est recommandé que vous remplaciez le filtre. Utiliser la cartouche de remplacement n° de pièce WF-L500 ou 4392857. Le prix conseillé au détail est 29,95 \$ U.S.A./39,95 \$ Canada.
- Le produit ne doit être utilisé que pour l'eau froide seulement.
- Ne pas utiliser avec de l'eau microbiologiquement dangereuse ou de qualité inconnue sans une désinfection adéquate avant et après le système.

© NSF est une marque déposée de NSF International

FRANÇAIS

For in-home major brand repair service:

Call 24 hours a day, 7 days a week

1-800-4-MY-HOMESM (1-800-469-4663)

Para pedir servicio de reparación a domicilio – 1-800-676-5811

In Canada for all your service and parts needs call
Au Canada pour tout le service ou les pièces – **1-800-665-4455**

For the repair or replacement parts you need:

Call 6 am – 11 pm CST, 7 days a week

PartsDirectSM

1-800-366-PART (1-800-366-7278)

Para ordenar piezas con entrega a domicilio – 1-800-659-7084

For the location of a Sears Parts and Repair Center in your area:

Call 24 hours a day, 7 days a week

1-800-488-1222

**For information on purchasing a Sears Maintenance Agreement
or to inquire about an existing Agreement:**

Call 9 am — 5pm, Monday — Saturday

1-800-827-6655



Free Manuals Download Website

<http://myh66.com>

<http://usermanuals.us>

<http://www.somanuals.com>

<http://www.4manuals.cc>

<http://www.manual-lib.com>

<http://www.404manual.com>

<http://www.luxmanual.com>

<http://aubethermostatmanual.com>

Golf course search by state

<http://golfingnear.com>

Email search by domain

<http://emailbydomain.com>

Auto manuals search

<http://auto.somanuals.com>

TV manuals search

<http://tv.somanuals.com>