



Outdoor Electric Smoker Use & Care Guide

Ahumador Electrico para uso al Aire Libre Manual de uso y cuidado

Kenmore Model Number :
Numero de Modelo Kenmore:
125.15885800



ENGLISH
ESPAÑOL

NOTICE TO INSTALLER:
LEAVE THESE INSTRUCTIONS WITH THE GRILL OWNER FOR FUTURE REFERENCE.

NOTICE TO CONSUMER:
RETAIN THIS OWNER'S MANUAL FOR FUTURE REFERENCE.

AVISO PARA EL INSTALADOR:
ENTREGUE ESTAS INSTRUCCIONES AL PROPIETARIO DE LA PARRILLA PARA REFERENCIA FUTURA.

AVISO PARA EL PROPIETARIO:
GUARDE ESTAS INSTRUCCIONES DE LA PARRILLA PARA REFERENCIA FUTURA.

**Customer Support Center
Centro para Servicio al Cliente**

Call us first if you have any problem with this product. We can help you with questions about assembly and grill operation or if there are damaged or missing parts when you unpack this unit. Please call before returning to the store.

Llámenos primero si usted tiene cualquier problema con este producto. Podemos ayudarle con preguntas sobre ensamblaje y la operación de esta parrilla o con piezas dañadas o que hacen falta cuando usted saque esta unidad de su envase. Por favor llame antes de volver a la tienda donde hizo la compra de este producto.

1-800-848-8915
8:30am-5:00pm CST, Mon thru Friday

In the space below, record the model and serial numbers and purchase date of your Outdoor Electric Smoker. You will find the model and serial numbers on the back of the unit.

En el espacio abajo, registre el modelo y los números de serie y la fecha de compra de su Ahumador Eléctrico para uso al aire libre. Usted encontrará el modelo y los números de serie en la parte posterior de la unidad.

Model No. / Num. de Modelo _____

Serial No. / Num. de Serie _____

Purchase Date / Dia de Compra _____

Keep this booklet and your Sears sales receipt in a safe place for future reference.

Guarde esta manual y su recibo de venta de Sears en un lugar seguro para referencia futura.

TABLE OF CONTENTS

Warranty Information	2
Important Safety Warnings	2-3
Product Features	4
Carton Contents	4-6
Assembly Instructions	7-12
Operating Instructions	13-14
Care and Maintenance	14
Storage	14
Temperature Chart	15
Troubleshooting	15

- DANGER:** Indicates an imminently hazardous situation which, if not avoided, will result in death or serious injury.
- WARNING:** Be alert to the possibility of serious bodily injury if the instructions are not followed. Be sure to read and carefully follow all of the messages.
- CAUTION:** Indicates a potentially hazardous situation which, if not avoided, may result in minor or moderate injury.

Kenmore One Year Full Warranty

If this product fails due to a defect in material or workmanship within one year from the date of purchase, contact Sears at 1-800-4-MY-HOME® to arrange for free repair (or replacement if repair proves impossible). This warranty gives you specific legal rights, and you may also have other rights which vary from state to state.

**Sears, Roebuck and Co.,
Hoffman Estates, IL 60179**

IMPORTANT SAFETY WARNINGS

**WE WANT YOU TO ASSEMBLE AND USE YOUR SMOKER AS SAFELY AS POSSIBLE.
THE PURPOSE OF THIS SAFETY ALERT SYMBOL**

IS TO ATTRACT YOUR ATTENTION TO POSSIBLE HAZARDS AS YOU ASSEMBLE AND USE YOUR SMOKER.

WHEN YOU SEE THE SAFETY ALERT SYMBOL PAY CLOSE ATTENTION TO THE INFORMATION WHICH FOLLOWS!

READ ALL SAFETY WARNINGS AND INSTRUCTIONS CAREFULLY BEFORE ASSEMBLING AND OPERATING YOUR SMOKER.

WARNING

- This smoker is to be used outdoors only. Do not operate this smoker indoors or in an enclosed area.
- Do not use this smoker in the rain or on wet surfaces. Do not immerse cord, plug or electric element in water or other liquids. Keep this smoker and all electrical appliances away from swimming pools, hot tubs, etc. Hazard of electrical shock if used on a wet surface, in the rain or if appliance has been exposed to moisture.
- For household use only. Do not use this product for other than its intended purpose.
- To prevent accidental electrical shock, this smoker should always be used on a GFCI (Ground Fault Circuit Interrupter) outlet or circuit, do not plug this appliance into an indoor circuit.
- Always use a 3-wire grounded outlet wired for 120 volts which is GFCI protected at 15 or 20 amps. If in doubt, contact a qualified electrician. Do not operate this smoker with any other appliance or electrical device on the same circuit.
- Always turn the unit "OFF" by unplugging cord from outlet on thermostat when adding water and wood or when finished cooking.
- Do not use an extension cord unless absolutely necessary. If you must use one, the following care should be exercised:
 - a. Use the shortest length possible. Use a 12/3 or 14/3 grounded-type extension cord with a rating of at least 15 amps.
 - b. The cord should be marked with suffix letter "W-A" and with a tag stating "Suitable for Use with Outdoor Appliances."
 - c. Keep cord connection dry and off the ground. Appliance and/or extension cord should be placed in such a manner so it will not be tripped over, tugged on by children or pets. Do not allow cord to touch hot surfaces.
- Do not operate this smoker if:
 - a. The cord or plug is damaged.
 - b. The electric element has been damaged in any manner.
 - c. The smoker has malfunctioned.
 - d. The smoker has been exposed to moisture or if grease and drippings were not cleaned from element after each use. Refer to "Proper Care & Maintenance" section of this manual.
 - e. There is any damage to the smoker.
 - f. The GFCI circuit trips when the electric element is plugged into the electric outlet.



WARNING



- Proper clearance of 5 feet between the smoker and combustible construction should be maintained at all times when this product is in use.
- In windy weather, this product should be located in an outdoor area that is protected from the wind.
- Do not leave smoker unattended when in use.
- Do not place smoker on or near a gas or electric burner, or a heated oven.
- Do not store or use smoker near gasoline or other flammable liquids, gases or where flammable vapors may be present.
- Use smoker only on a hard, level, noncombustible, stable surface (concrete, ground, etc.). Never use smoker on wooden or other surfaces that could burn.
- A drip pan/ash guard will not prevent fires from occurring on a wooden or other combustible surface. A drip pan/ash guard is designed for use with a smoker for easy clean up of drippings that can cause discoloration of surface and to catch falling ashes and embers.
- Smoker should be placed in an area where children and pets cannot come into contact with unit. Close supervision is necessary when this smoker is in use.
- Use caution when reaching into or under smoker. Always wear oven mitts/gloves to protect your hands from burns. Avoid touching hot surfaces.
- Base pan should never be touched or moved while smoker is in operation or if still hot.
- Do not wear loose clothing or allow hair to hang freely when operating smoker.
- Always wear shoes when operating smoker.
- When in operation, smoker contains hot liquid in water pan. Extreme caution should be used at all times. Do not move smoker when water pan contains hot liquids. Tilting or other slight movement could cause hot liquid to spill from water pan causing serious bodily injury.
- When opening door, keep hands, face and body safe from hot steam or possible flame flare-ups. Do not use water to extinguish flames.
- Use extreme caution when adding liquid to water pan being careful not to spill any liquid onto electric element. Always unplug smoker before adding water. Follow instructions in Step 8 of “Smoking” section of this manual.

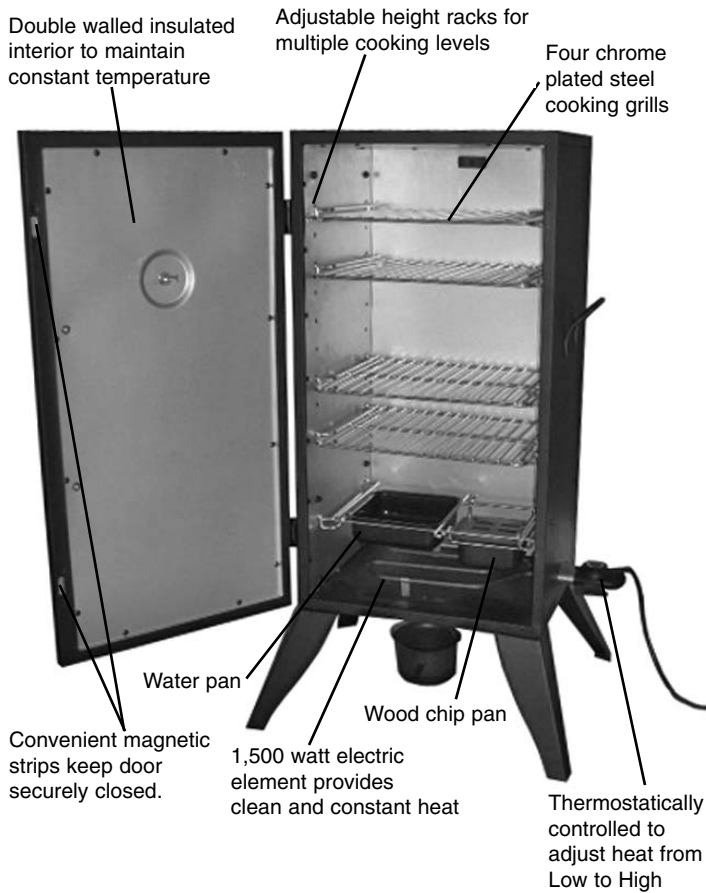


WARNING



- Water pan should always be used when smoking. Do not allow liquid in water pan to completely evaporate. Check water pan every 2 hours and add water if level is low (a sizzling sound may indicate a need for water). Follow instructions in Step 8 of “Smoking” section of this manual.
- Use caution when assembling or operating your smoker to avoid cuts or scrapes from sharp edges of metal parts.
- Never add charcoal, lighter fluid, fuel or material of any kind, other than flavoring wood to the wood chip pan.
- Unplug the smoker from electric outlet when not in use. Allow smoker to cool completely before cleaning. Make sure embers are completely extinguished. Dispose of remaining embers and ashes in a noncombustible container. Do not allow ashes to build up in smoker.
- Do not use the smoker if the electric element has been exposed to moisture. Do not clean electric element with a water spray or the like. Failure to adhere to this safety warning could result in the electric element shorting out and in some cases, exploding. Clean the electric element as instructed in the “Care and Maintenance” section of this manual.
- Store the smoker indoors in a dry location when not in use—out of the reach of children.
- Accessory attachments not manufactured for use with this smoker are not recommended and may lead to personal injury or property damage.
- Use caution when lifting or moving smoker to prevent strains and back injuries.
- We advise that you have a fire extinguisher designed for use with electrical appliances on hand. Refer to your local authority to determine proper size and type of fire extinguisher.
- Do not attempt to service smoker other than normal maintenance as explained in “Care & Maintenance” section of this manual.
- Properly dispose of all packaging material.

PRODUCT FEATURES

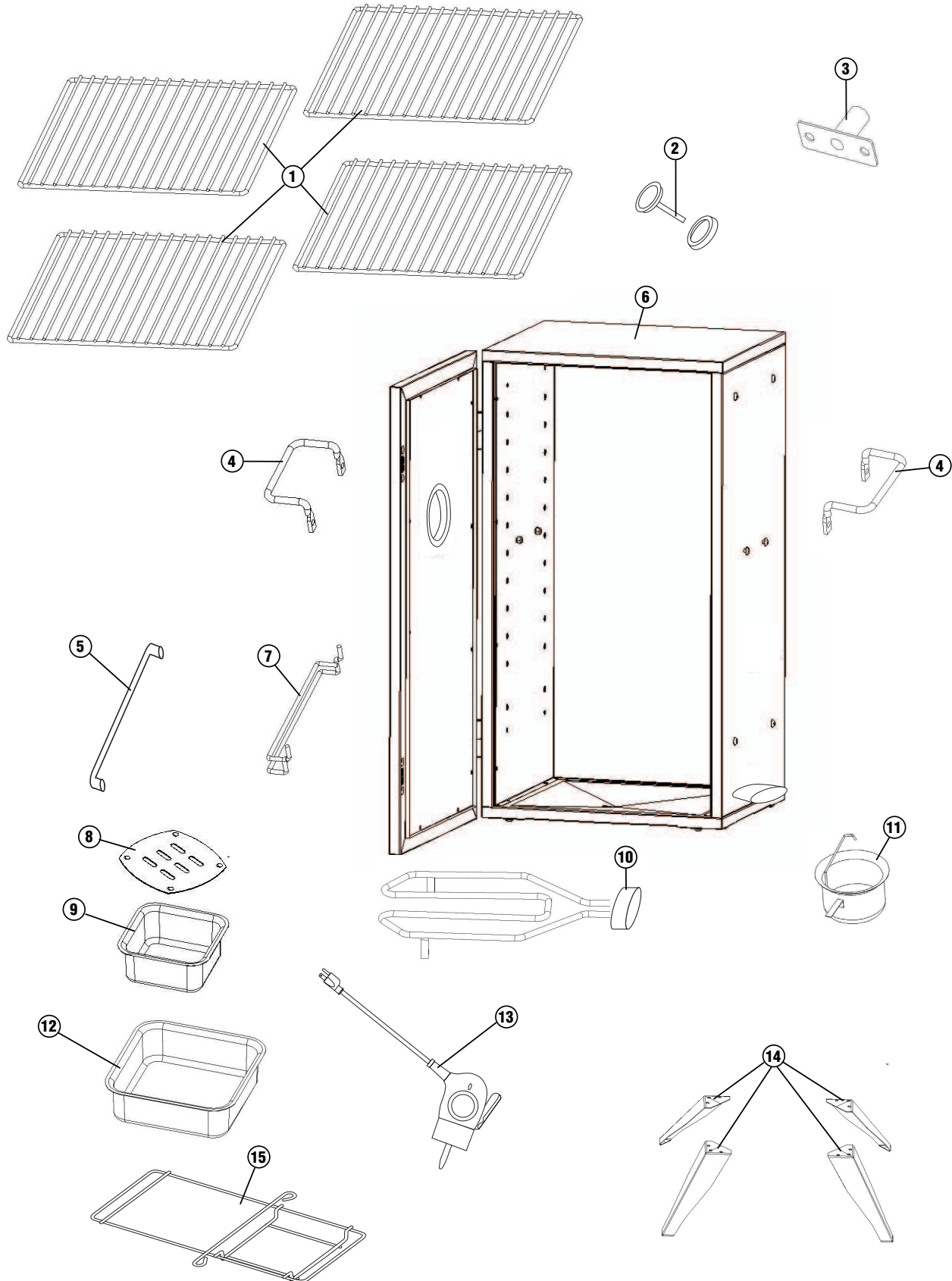


CARTON CONTENTS

Make sure you have all items listed under **CARTON CONTENTS** and **HARDWARE BAG CONTENTS** before you begin the assembly process.

	Qty.	
①	4	Cooking Grills
②	1	Temperature Gauge Assembly
③	1	Air Vent Tube
④	2	Side Handles
⑤	1	Door Handle
⑥	1	Smoker Body
⑦	10	Side Rack Supports
⑧	1	Wood Chip Box Lid
⑨	1	Wood Chip Box
⑩	1	Heat Element
⑪	1	Grease Cup
⑫	1	Water Pan
⑬	1	Controller
⑭	4	Legs
⑮	1	Water Pan and Wood Chip Box Rack
	1	Use & Care Guide
	1	Hardware Bag

PARTS DIAGRAM FOR MODEL 125.15885800

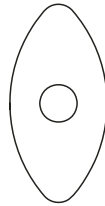


Inspect contents of the box to ensure all parts are included and undamaged.

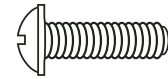
HARDWARE BAG CONTENTS

QUANTITY

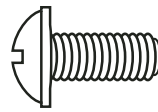
- 2 Heat Resistant Washers
(Door Handle)
- 12 1/4-20 x 5/8" Bolts
- 4 10-24 Flange Nuts
- 6 10-24 x 5/8" Bolts
- 4 10-24 x 1" Bolts
- 2 #10 Washers



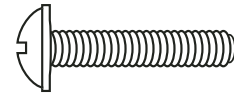
(2) Heat Resistant Washers
(Door Handle)



(6) 10-24 x 5/8" Bolts



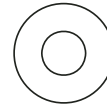
(12) 1/4-20 x 5/8" Bolts



(4) 10-24 x 1" Bolts



(4) 10-24 Flange Nuts



(2) #10 Washers

ASSEMBLY

Choose a good, cleared assembly area and get a friend to help you put your smoker together. Lay cardboard down to protect smoker finish and assembly area.

⚠ CAUTION: Some parts may contain sharp edges. Wear protective gloves if necessary.

Note: With the help of a friend, turn the smoker cabinet upside down.

Step 1

For each leg, line up the holes and insert three 1/4-20 X 5/8" bolts, nuts are pre-welded to the cabinet. Securely tighten the bolts.

Note: With the help of a friend, turn the smoker body to its upright position. Try to minimize stress on legs.

Step 2

Install air vent tube by lining up the holes with the back panel holes on the inside of smoker cabinet. Insert two 10-24 X 1" bolts from the outside of the cabinet.

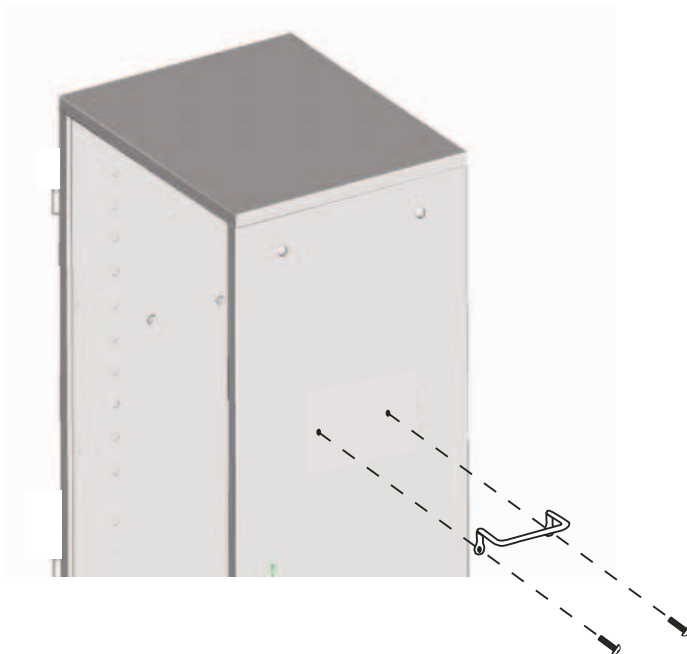
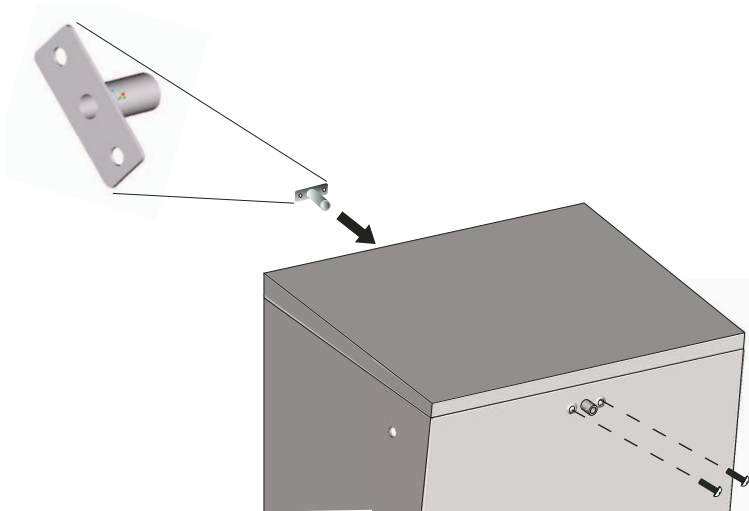
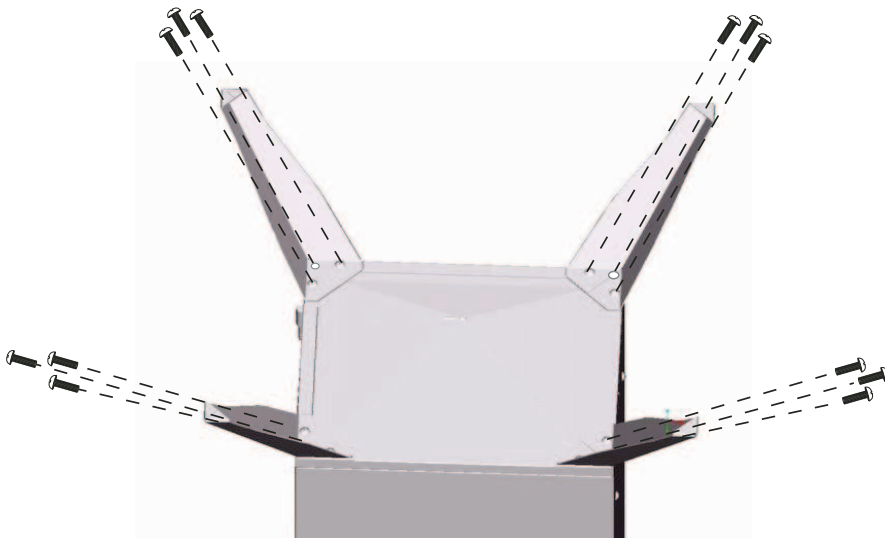
Step 3

From inside the cabinet, slide washers onto bolts and thread 10-24 flange nuts onto bolts. Securely tighten nuts.

Note: Line up the side handle with the corresponding holes on the side of the cabinet as shown.

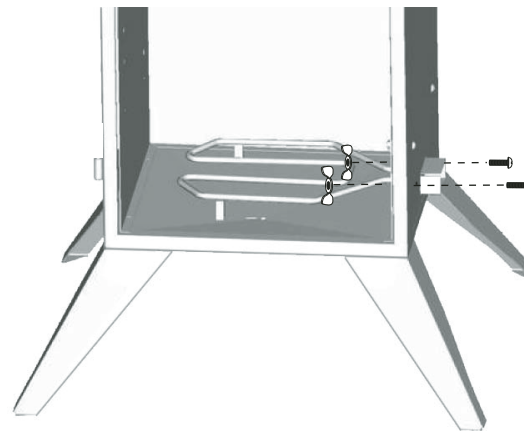
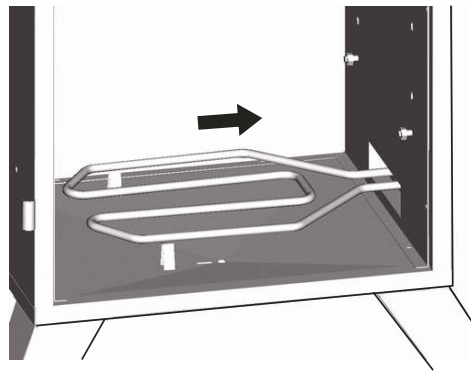
Step 4

Attach side handles by using two 10-24 X 5/8" bolts through handle loops. Securely tighten. Repeat for other handle.



Step 5

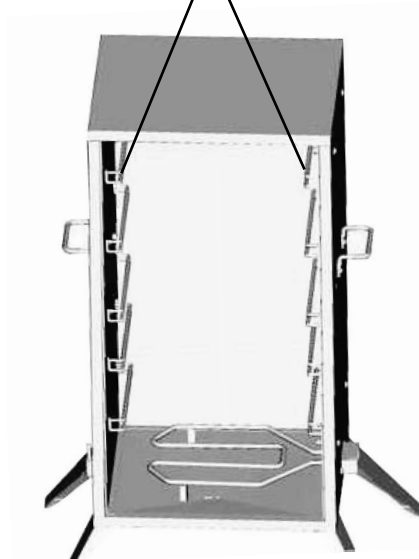
Position the heating element inside the cabinet and push the bracket through the opening in the right side panel. Secure heating element using two 10-24 X 5/8" bolts and 10-24 flange nuts.

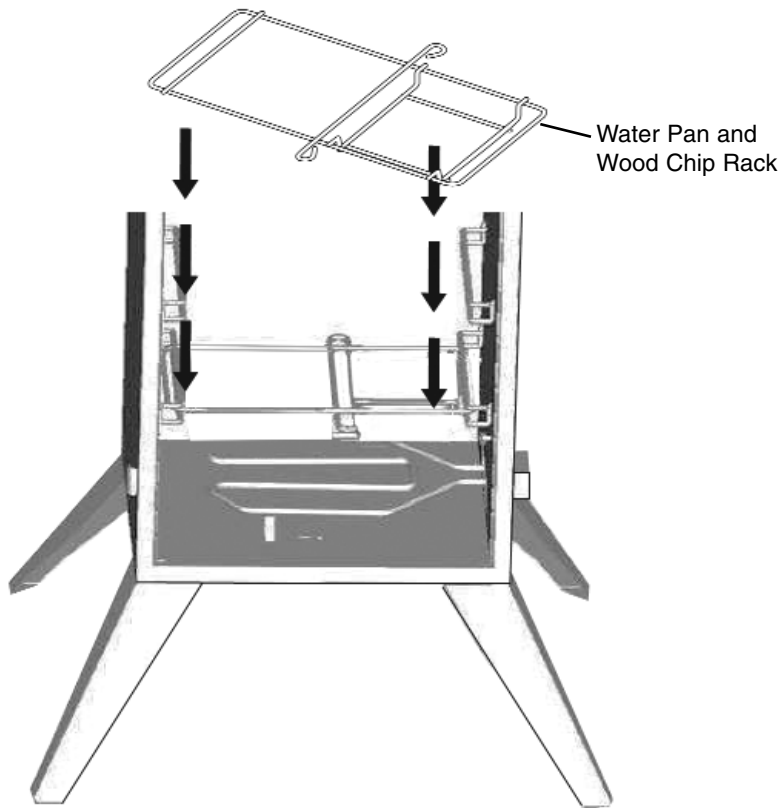


Step 6

Insert the rack supports into the mounting holes inside the smoker cabinet as shown. Put two pieces of side racks on lowest position to hold the water pan and wood chip box rack.

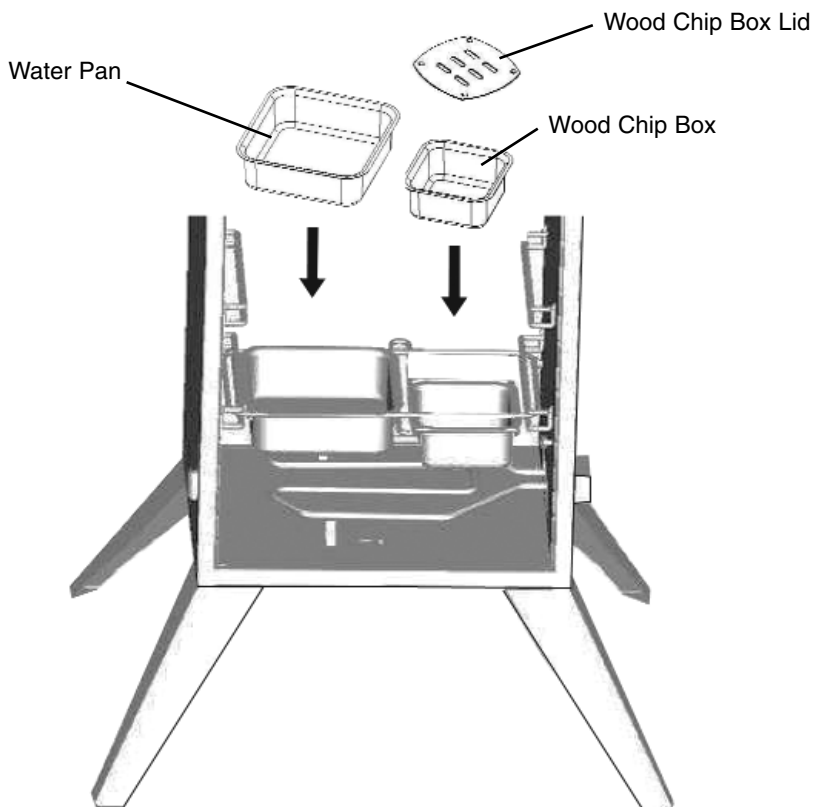
Side Rack Supports





Step 7

Place water pan and wood chip rack on bottom side racks.

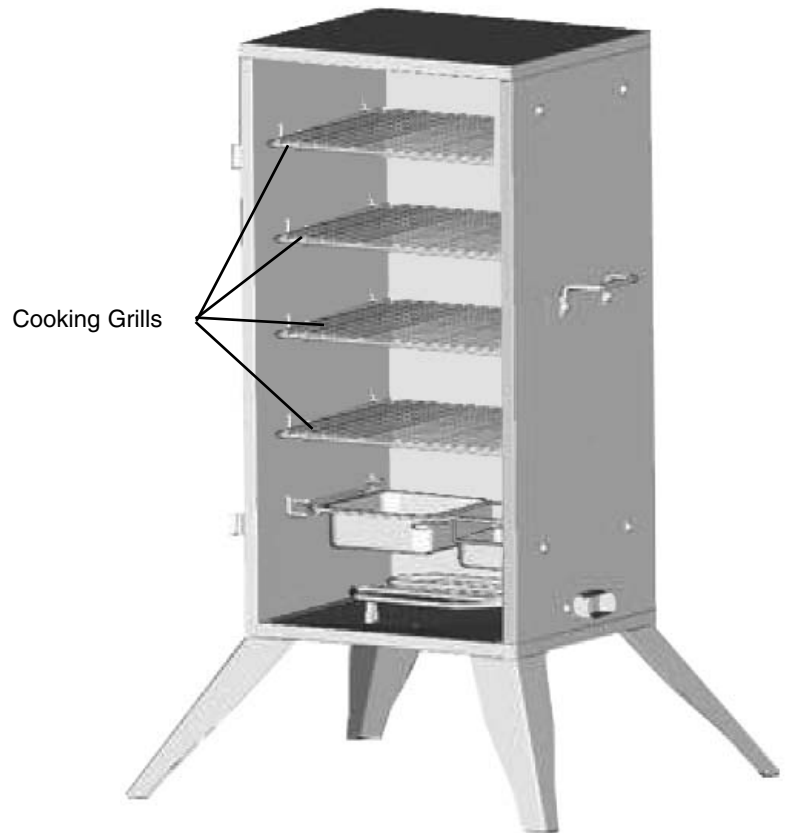


Step 8

Place wood chip box and water pan into the lowest side rack.

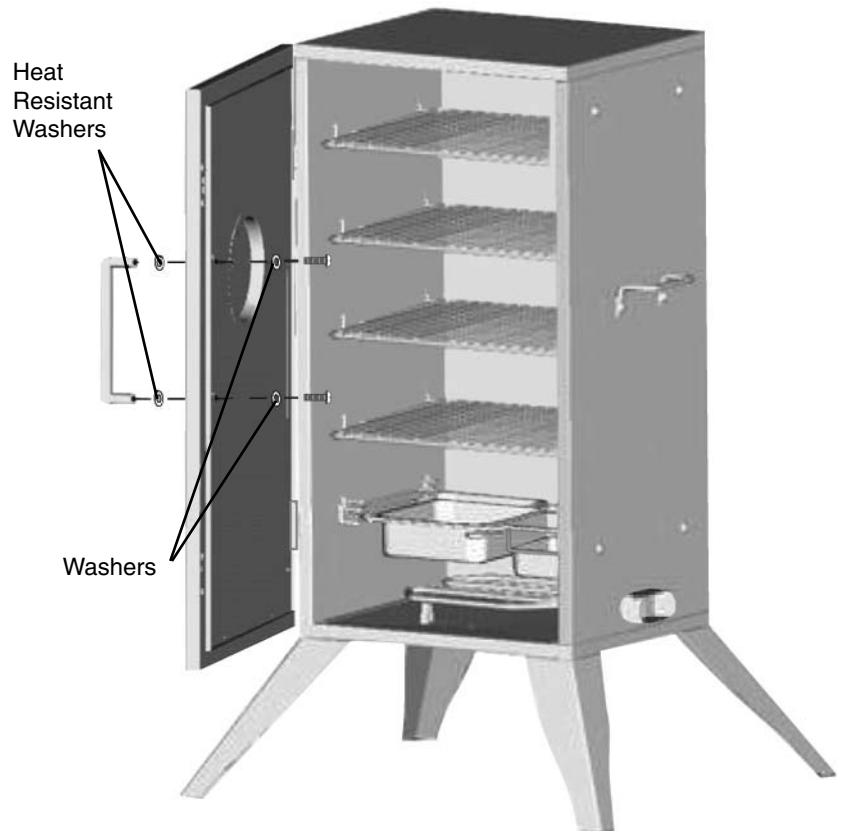
Step 9

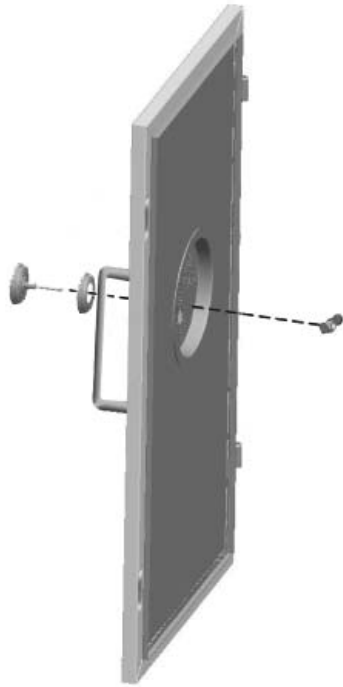
Insert the cooking grills into rack supports as desired. Make sure all cooking grills are level.



Step 10

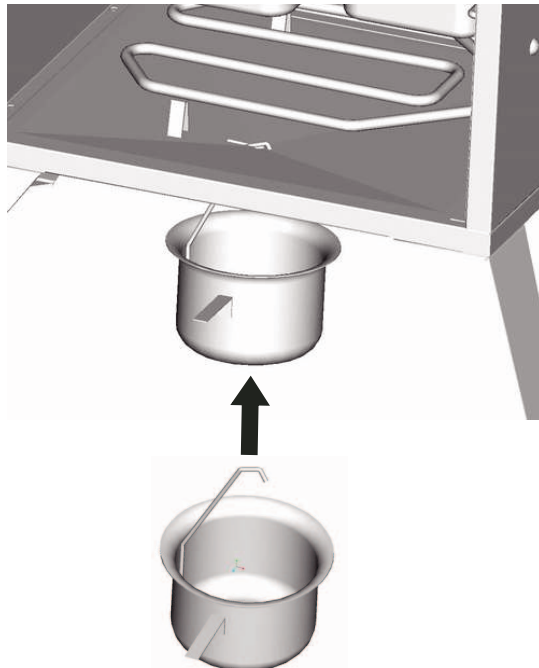
Mount the door handle with two 10-24 X 1" bolts, two #10 washers and two heat resistant washers. Insert each bolt through the door from the inside. From the outside place a heat resistant washer over each bolt. Then thread the bolts into the handle. Tighten each bolt securely.





Step 11

Insert the temperature gauge with bezel through the mounting hole in the front of the door. Place wing nut onto the temperature gauge stem from the inside of the door panel and tighten it firmly.



Step 12

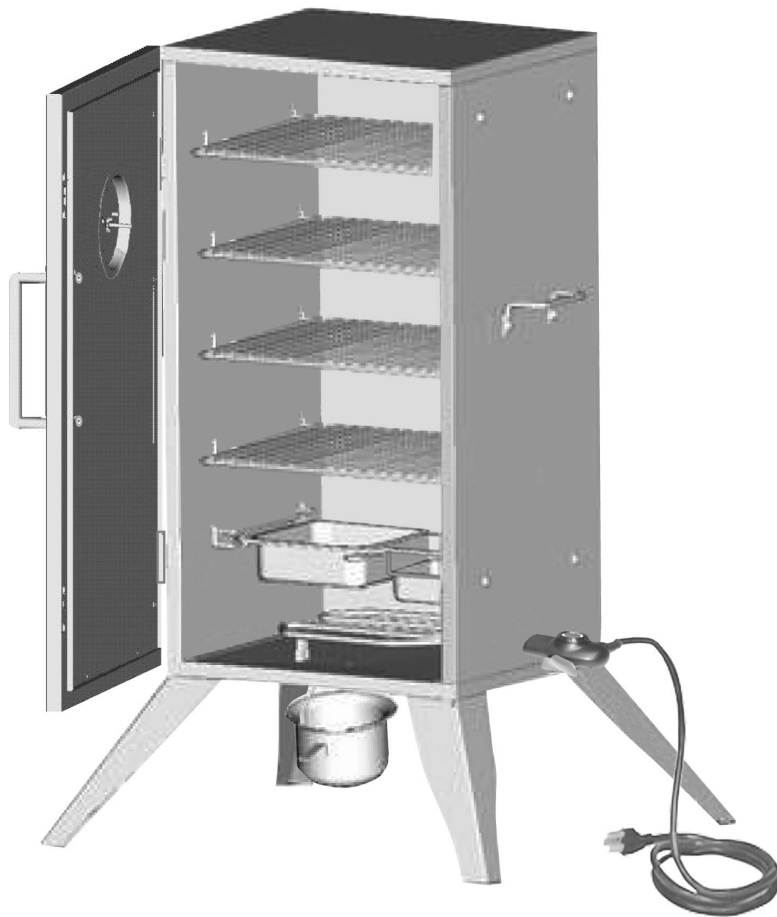
Hook grease cup to bottom panel as shown. Make sure the connection is secure and the grease cup sits level.

Step 13

Locate the controller and insert the probe into the bracket of the heat element as shown.
Make sure the connection is secure and tight.





Electric Smoker Assembled



OPERATING INSTRUCTIONS

WARNING

-  **PLACE THE SMOKER OUTDOORS ON A HARD, LEVEL, NON-COMBUSTIBLE SURFACE AWAY FROM ROOF OVERHANG OR ANY COMBUSTIBLE MATERIAL. NEVER USE ON WOODEN OR OTHER SURFACES THAT COULD BURN. PLACE THE SMOKER AWAY FROM OPEN WINDOWS OR DOORS TO PREVENT SMOKE FROM ENTERING YOUR HOUSE. IN WINDY WEATHER, PLACE THE SMOKER IN AN OUTDOOR AREA THAT IS PROTECTED FROM THE WIND.**
-  **READ ALL SAFETY WARNINGS AND INSTRUCTIONS CAREFULLY BEFORE OPERATING YOUR SMOKER.**

CURING


Before first use, cure your smoker to minimize damage to the exterior finish as well as rid the smoker of paint odor that can impart unnatural flavors to the first meal prepared.

Step 1

Remove water pan from smoker and do not use flavoring wood while curing your smoker.

Step 2

Coat all interior surfaces of the smoker cabinet, side rack and cooking grill with vegetable oil or vegetable oil spray.

-  **WARNING:** DO NOT coat the electric element and the controller.

Step 3

Plug the smoker into electric outlet.

Step 4

Cure smoker for two hours, then unplug smoker from electric outlet. Allow smoker to cool completely. It is important that the exterior of the smoker is not scraped or rubbed during the curing and cooling process.

NOTE: Cure your smoker before first use. After cleaning, apply a light coat of vegetable oil or vegetable cooking spray to the interior surfaces, smoker body, cooking grids and water pan. This simple process will help reduce interior rusting. DO NOT apply oil to electric element or controller.

SMOKING

Step 1


Open door and remove wire rack that supports the wood chip pan and water pan.

Step 2

Remove lid from the wood chip pan and add wood chips. We recommend the use of wood chips, not wood chunks. Replace the wood chip pan lid and slide rack into smoker.

Step 3

Carefully fill water pan with warm water or your choice or marinade to 1 inch below the rim. Do not fill completely or water may overflow during use.

-  **WARNING:** DO NOT spill water, marinade or any liquid onto the electric element and controller.

Step 4


Remove cooking grids and adjust the wire cooking grid support brackets to the desired height for the items you are smoking.


Step 5

Place food on cooking grid(s) in a single layer and leave room between each piece to allow smoke and moisture to circulate evenly. Slide cooking grid into the wire cooking grid support brackets. Repeat steps for each cooking grid that is used.

Step 6

Close door and plug the smoker into electric outlet.

-  **WARNING:** Always use a 3-wire grounded outlet wired for 120-volts that is GFCI protected at 15 or 20 amps. If you are not sure the outlet is suitable, contact a qualified electrician. Do not operate this smoker on the same circuit with any other appliance or electrical device.

-  **WARNING:** When connecting controller to smoker, plug electric controller into smoker first, make sure controller is set to OFF, then plug into outlet. When unplugging, turn controller to OFF, disconnect from outlet, then remove controller from smoker.

Step 7

Adjust the electric controller to the high position and allow the smoker to heat up. The desired temperature for smoking is between 220F and 250F. The heat indicator on the front of the unit will let you know when the smoker is near the desired temperature and you can adjust the controller accordingly.

SMOKING (CONT)

Step 8

Allow food to cook approximately 30-45 minutes per pound. Check the water level periodically and add water if needed. When adding water, wear an oven mitt and slide the wood chip pan/water pan rack slightly toward the door opening, add water and slide the rack back into place. You can add additional wood chips by following the same procedure.

Step 9

Use a meat thermometer to check the temperature of your food. The heat indicator on the door will provide the approximate temperature inside the smoker but you should use a meat thermometer to ensure that your food is fully cooked.

Step 10

After you are finished smoking, turn the controller knob to the off position and always unplug the smoker from the electric outlet and allow the smoker to cool. Once the smoker has cooled, follow the instructions in the "Care and Maintenance" section of this manual.

NOTE: Performance of the smoker is dependent on ambient temperature and wind conditions.

CARE AND MAINTENANCE

Step 1

Water pan, wood chip pan and cooking grids should be washed with hot, soapy water then rinsed and allowed to dry. Cooking grids can be lightly coated with vegetable oil or cooking spray to prevent food from sticking.

Step 2

A light coating of vegetable or cooking spray may also be applied to the inside of the smoker to prevent rusting.

Step 3

If rust appears on the exterior of the smoker, clean the affected area with steel wool and apply a high-temperature resistant paint.

Step 4

Do not apply additional paint to the interior surface of the smoker. If rust develops, use steel wool to remove and then coat with vegetable oil or cooking spray.

Step 5

After the electric element has completely cooled, clean with a damp cloth after each use.

STORAGE

BEFORE STORING YOUR GRILL:

- Clean all surfaces.
- When cool and not in use, store your smoker indoors in a dry location to protect against rusting.
- If storing the grill outdoors, cover the grill with a grill cover for protection from the weather.

ELECTRICAL SPECIFICATIONS

Voltage	120VAC
Watts	1500W
Amperage	12.5A
Hertz	60 HZ

TEMPERATURE CHART

Here is a chart for measuring properly cooked meat temperature: (USDA Standard)

Ground Meat & Meat Mixtures

Turkey, Chicken	165°F	(74°C)
Veal, Lamb	160°F	(71°C)
Beef, Pork	160°F	(71°C)

Fresh Beef

Medium Rare	145°F	(63°C)
Medium	160°F	(71°C)
Well Done	170°F	(77°C)

Fresh Lamb

Medium Rare	145°F	(63°C)
Medium	160°F	(71°C)
Well Done	170°F	(77°C)

Fresh Veal

Medium Rare	145°F	(63°C)
Medium	160°F	(71°C)
Well Done	170°F	(77°C)

Poultry

Chicken, whole	180°F	(82°C)
Turkey, whole	180°F	(82°C)
Breast, roast	170°F	(77°C)
Thighs, wings	180°F	(82°C)
Duck and Goose	180°F	(82°C)

Fresh Pork

Medium	160°F	(71°C)
Well Done	170°F	(77°C)

Ham

Fresh (raw)	160°F	(71°C)
Pre-Cooked	140°F	(60°C)

Fish

(Cook until opaque and flakes easily)




Note: These temperatures are measured with a meat probe thermometer. The heat indicator on the door of the smoker is not an accurate meat temperature reading.

TROUBLESHOOTING

PROBLEM	CAUSE	CORRECTION
Electric element will not heat up	<ol style="list-style-type: none"> 1. Check that the 3-wire plug is fully seated into a 3-wire grounded GFCI outlet wired for 120 volts and protected at 15 or 20 amps. 2. Check the breakers or fuses for the outlet being used are not open or shorted. 3. Check that the GFCI outlet has not been tripped. 4. Electric element may be damaged and needs replacing. 	<ol style="list-style-type: none"> 1. Reseat plug in a 3-wire grounded GFCI outlet wired for 120 volts and protected at 15 or 20 amps. 2. Reset breakers or replace fuse. 3. Reset GFCI outlet. 4. Replace element.
Smoker is not getting hot enough	<ol style="list-style-type: none"> 1. Adjust temperature control on electric element. 2. Avoid the temptation to check food too often. 3. Extension cord is wrong type. 4. Electric element may be damaged and needs replacing. 	<ol style="list-style-type: none"> 1. Turn up heat on control dial. 2. Opening the door allows heat to escape and slows the cooking process; open door only when necessary. 3. Do not use an extension cord unless absolutely necessary. Use the shortest length possible. Use a 12/3 or 14/3 grounded-type extension cord with a rating of at least 15 amps. 4. Replace element.
Smoker is getting too hot	<ol style="list-style-type: none"> 1. Adjust temperature control on electric element. 2. Electric element may be damaged and needs replacing. 	<ol style="list-style-type: none"> 1. Turn down heat on control dial. 2. Replace element.

TABLA DE CONTENIDO

Información de Garantía	16
Importantes Advertencias de Seguridad	16-17
Características del Producto	18
Contenido del Cartón	18-20
Instrucciones de Asamblaje	21-26
Instrucciones de Operación	27-28
Cuidado y Mantenimiento	28
Almacenamiento	28
Tabla de Temperatura	29
Identificación y Corrección de Problemas	29


-  **PELIGRO:** Indica una situación peligrosa inminente la cual, si no se evita, producirá lesiones graves o aún la muerte.
-  **ADVERTENCIA:** Manténgase alerta a la posibilidad de lesiones corporales graves si no se siguen las instrucciones. Asegúrese de leer y seguir cuidadosamente todos los mensajes.
-  **PRECAUCIÓN:** Indica una situación posiblemente peligrosa la cual, si no se evita, puede producir lesiones menores o moderadas.


Garantía de un Año Completo


Si este producto falla debido a un defecto en material o a la ejecución en el plazo de un año a partir de la fecha de la compra, comuníquese a Sears al 1-800-4-MY-HOME® para hacer arreglos de reparación gratuita (o reemplazo si reparación es imposible). Esta garantía le da derechos legales específicos, y usted también puede tener otros derechos que varíen por estado de estado.

**Sears, Roebuck and Co.,
Hoffman Estates, IL 60179**

ADVERTENCIAS IMPORTANTES DE SEGURIDAD

ES NUESTRO DESEO QUE ARME Y UTILICE SU PARRILLA EN LA FORMA MÁS SEGURA POSIBLE. EL PROPÓSITO DE ESTE SÍMBOLO DE ALERTA DE SEGURIDAD  ES QUE USTED PRESTE ATENCIÓN A LOS POSIBLES PELIGROS CUANDO ARME Y UTILICE SU PARRILLA.

¡CUÁNDO VEA ESTE SÍMBOLO DE ALERTA DE SEGURIDAD  PRESTE ESPECIAL ATENCIÓN A LA INFORMACIÓN A CONTINUACIÓN!

 LEA DETENIDAMENTE TODAS LAS ADVERTENCIAS DE SEGURIDAD E INSTRUCCIONES ANTES DE ARMAR Y USAR LA PARRILLA.



ADVERTENCIA



- Este ahumador es de ser utilizado solamente afuera. No opere este ahumador adentro o en un área encerrada.
- No utilice el ahumador bajo la lluvia o en superficies mojadas. No sumerja la cuerda, enchufe ni el elemento eléctrico en agua u otros líquidos. Mantenga este ahumador y todos electrodomésticos lejos de piscinas, jacuzzis, etc. Existe peligro de descarga eléctrica si utiliza este producto en una superficie mojada, bajo la lluvia o si el aparato ha sido expuesto a la humedad.
- Sólo para uso de casa. No use aparato inapropiadamente.
- Para prevenir descarga eléctrica accidental, este ahumador siempre debe ser utilizado con un GFCI (Interruptor de Circuito de Defecto de Suelo) salida o circuito, no enchufe este aparato en un circuito interior.
- Siempre utilice tomacorriente aterrizador de 3 alambres de 120 voltios que es protegido por GFCI de 15 o 20 amperios. Si tiene duda, comuníquese con un electricista cualificado. No opere ahumador con cualquier otro aparato ni otro producto eléctrico dentro del mismo circuito.
- El ahumador se puede prender enchufando la cuerda en la salida eléctrica. No tiene interruptor de control de ON/OFF. Antes de enchufar la salida eléctrica, el ahumador debe estar preparado completamente con la madera que agrega sabor en su lugar, el líquido en la cacerola de agua y carne en parrillas. Siempre apague la unidad desconectando el enchufe si tiene que agregar agua o madera o cuando ya termine de cocinar.
- No utilice una extensión a menos que sea absolutamente necesario. Si tiene que utilizarla, el siguiente cuidado debe ser ejercitado:
 - a. Utilice la extensión más corta posible. Utilice una extensión aterrizada de 12/3 o 14/3 con una calificación de por lo menos 15 amperios.
 - b. La cuerda debe ser marcada con las letras W-A y con una etiqueta que indica "Conveniente para el Uso con Aparatos al aire libre".
 - c. Mantenga la conexión de cuerda seca y fuera del suelo. El aparato y/o la extensión deben ser colocados de tal manera que no sirva de tropiezo o sea jalada por niños o mascotas. No permita que la cuerda toque superficies calientes.
- No opera el ahumador si:
 - a. La cuerda o el enchufe están dañados.
 - b. Elemento eléctrico se ha dañado en cualquier manera.
 - c. El ahumador ha fallado.
 - d. El ahumador ha sido expuesto a humedad o si grasa o desperdicios no fueron limpiados del elemento después de cada uso. Refiérase a la sección de "Cuidado y Mantenimiento Apropiado" en este manual.
 - e. El ahumador tiene cualquier daño. (Devuelva el ahumador con el número de autorización de regreso a La Corporación de Brinkmann para el reviso, la reparación o reemplazo).
 - f. El circuito de GFCI se corta cuando el elemento eléctrico se enchufa en la salida eléctrica.



ADVERTENCIA



- Debe haber un espacio apropiado de 5 pies entre el ahumador y construcción combustible siempre y cuando este producto sea utilizado.
- Cuando hay mucho viento este producto debe estar localizado en un área al aire libre protegida del viento.
- No desatienda el ahumador cuando este en uso.
- No coloque el ahumador encima o cerca de una hornilla de gas o eléctrica, u horno caliente.
- No almacene ni utilice el ahumador cerca de gasolina ni otros líquidos o gases inflamables, o donde vapores inflamables pueden estar presente.
- Utilice el ahumador solo en superficies duras, niveladas, incombustibles, y estables (cemento, suelo, etc.). Nunca utilice el ahumador sobre madera u otras superficies que pudieran quemarse.
- Una bandeja para desperdicios o guarda ceniza no prevendrá que ocurran fuegos sobre madera u otra superficie combustible. Una bandeja para desperdicios o guarda ceniza esta diseñado para el uso con un ahumador facilitando la limpieza de la grasa que puede causar la decoloración de la superficie y para juntar cenizas y ascuas que caen.
- El ahumador debe ser colocado en un área donde niños y mascotas no pueden entrar en contacto con la unidad. Cerca supervisión es necesaria cuando se utilice este ahumador.
- Use precaución cuando alcance dentro o debajo del ahumador. Siempre utilice guantes de horno para proteger sus manos de quemaduras. Evite tocar superficies calientes.
- Bandeja de base nunca debe ser tocada ni movida mientras ahumador está en uso o si todavía esta caliente.
- No utilice ropa floja ni permita que el pelo le cuelgue libremente cuando use el ahumador.
- Siempre póngase zapatos al usar el ahumador.
- Mientras se este utilizando, el ahumador contiene liquido caliente en la bandeja de agua. Use precaución extrema en todo tiempo. No mueva el ahumador cuando la bandeja de agua contenga líquidos calientes. El inclinar u otro movimiento leve podría causar que el líquido caliente se derrame de la bandeja de agua y cause serias lesiones corporales.
- Al abrir la puerta, mantenga las manos, cara y cuerpo lejos del vapor caliente o posibles llamaradas. No utilice agua para extinguir las llamas.
- Use precaución extrema al agregar líquido a la bandeja de agua teniendo cuidado de no derramar cualquier liquido en el elemento eléctrico. Siempre desconecte el ahumador antes de agregar agua. Siga las instrucciones en la sección "Agregando Agua Mientras se este Cocinando" de este manual.
- Bandeja de Agua siempre debe ser utilizada al ahumar. No permita que el líquido en la bandeja de agua se evapore completamente. Revise la bandeja de agua cada 2 horas y agregue agua si el nivel esta bajo (un sonido chirriante puede indicar la necesidad de agua). Siga las instrucciones en la sección "Agregando Agua Mientras se este Cocinando" de este manual.

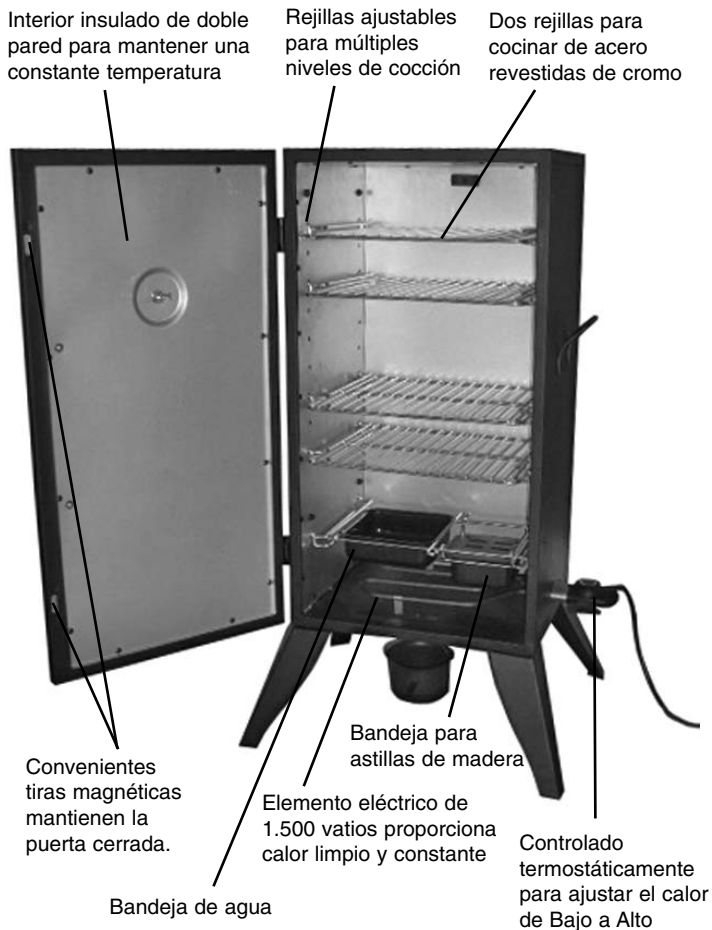


ADVERTENCIA



- Use precaución al ensamblar u operar su ahumador para evitar cortadas o raspones por orillas agudas de partes de metal.
- Nunca agregue carbón, líquido encendedor, combustible ni material de cualquier tipo, además de la madera que agrega sabor a la bandeja de astillas de madera.
- Desconecte el ahumador de la salida eléctrica cuando no este en uso. Permita que el ahumador se enfríe completamente antes de limpiarlo. Cerciórese que las ascuas estén extinguidas completamente. Deshágase de ascuas y cenizas restantes en un contenedor incombustible. No permita que las cenizas se acumulen en el ahumador.
- No utilice el ahumador si el elemento eléctrico ha sido expuesto a la humedad. No limpie el elemento eléctrico con un rocío de agua ni algo similar. El no adherirse a esta advertencia de seguridad podría resultar en el cortocircuito y en algunos casos la explosión del elemento eléctrico. Limpie el elemento eléctrico según las instrucciones de la sección "Cuidado y Mantenimiento Apropiado" de este manual.
- Almacene al ahumador dentro en una ubicación seca cuando no este en uso – fuera del alcance de niños.
- El uso de accesorios no fabricados por La Corporación de Brinkmann para este ahumador no son recomendadas y pueden resultar en lesiones personales o daños a la propiedad.
- Use precaución al levantar o mover el ahumador para prevenir tensiones y lesiones de espalda.
- Aconsejamos que tenga un extintor diseñado para el uso con electrodomésticos a la mano. Refiérase a su autoridad local para determinar el tamaño y el tipo apropiado de extintor.
- No procure darle servicio al ahumador además del mantenimiento normal como esta explicado en la sección "Cuidado y Mantenimiento y Almacenamiento" de este manual.
- Deshágase apropiadamente de todo material de empaque.

CARACTERÍSTICAS DEL PRODUCTO



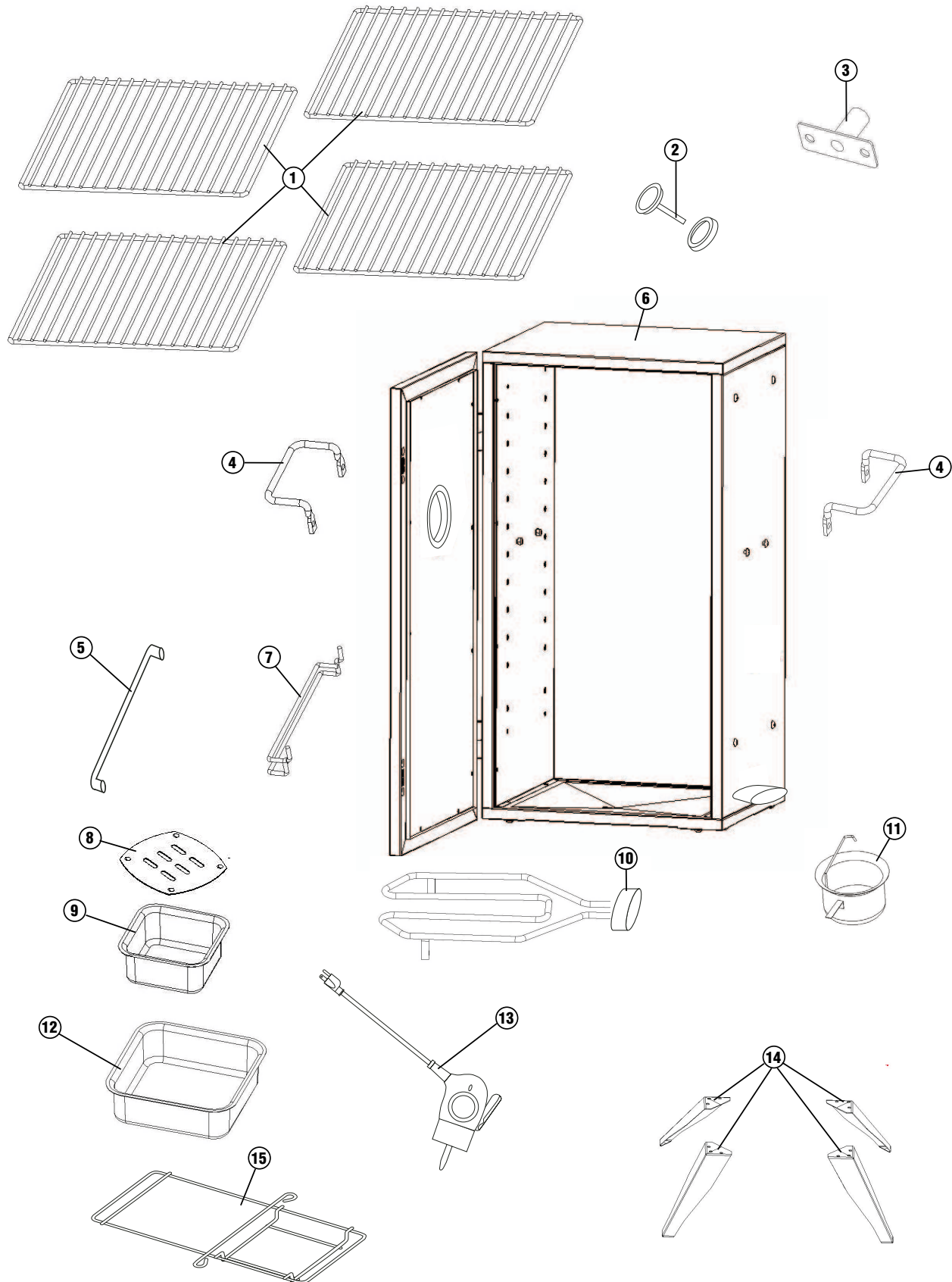
CONTENIDO DE CARTÓN

Cerciórese que tenga todos los artículos alistados bajo el Contenido de Cartón y Piezas antes que empiece el proceso de ensamblaje.

Cantidad

- | | | |
|---|----|---|
| ① | 4 | Rejillas para Cocinar |
| ② | 1 | Calibrador de la Temperatura |
| ③ | 1 | Tubo Respiradero |
| ④ | 2 | Agarraderas Laterales |
| ⑤ | 1 | Asidero de Puerta |
| ⑥ | 1 | Cuerpo de Ahumador |
| ⑦ | 10 | Soportes Laterales para Rejillas |
| ⑧ | 1 | Tapa de Bandeja para Astillas de Madera |
| ⑨ | 1 | Bandeja para Astillas de Madera |
| ⑩ | 1 | Elemento de Calefacción |
| ⑪ | 1 | Copa de Grasa |
| ⑫ | 1 | Bandeja de Agua |
| ⑬ | 1 | Regulador Electrico |
| ⑭ | 4 | Piernas |
| ⑮ | 1 | Rejillas para Bandeja de Agua y Bandeja para Astillas de Madera |
| | 1 | Manual de Uso y Cuidado |
| | 1 | Bolsa de Herramienta |

DIAGRAMA DE PARTES PARA MODELO 125.15885800

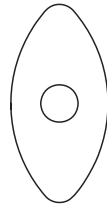


Inspeccione el contenido de la caja para asegurar que todas partes sean incluidas e ileso.

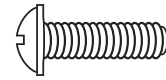
CONTENIDO DE BOLSA DE HERRAMIENTA

CANTIDAD

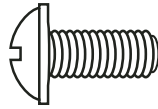
- 2 Arandelas Resistentes a Calor (Asidero de Puerta)
- 12 1/4-20 X 5/8" Pernos
- 4 10-24 Tuercas de Reborde
- 6 10-24 X 5/8" Pernos
- 4 10-24 X 1" Pernos
- 2 #10 Arandelas



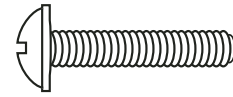
(2) Arandelas Resistentes a Calor (Asidero de Puerta)



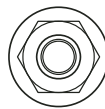
(6) 10-24 x 5/8" Pernos



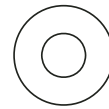
(12) 1/4-20 x 5/8" Pernos



(4) 10-24 x 1" Pernos



(4) 10-24 Tuercas de Reborde



(2) #10 Arandelas

ASAMBLEA

Escoge un área buena y vaciada del asamblea y consigue a un amigo para ayudarlo a poner a su fumador juntos. El cartón lego proteger hacia abajo a fumador el fin y área de asamblea.

⚠ PRECAUCIÓN: Algunas partes pueden tener bordes afilados. Póngase guantes de protección si es necesario

Nota: Con la ayuda de un amigo, voltee el cuerpo del ahumador arriba abajo.

Paso 1

Para cada pierna, alinee los agujeros e inserte tres pernos 1/4-20 X 5/8", las tuercas han sido pre-soldadas al cuerpo del ahumador. Apriete con seguridad los pernos.

Nota: Con la ayuda de un amigo, voltee el ahumador de manera que este de pie. Trate de minimizar la tensión sobre las piernas.

Paso 2

Instale el tubo respiradero alineando sus agujeros con los agujeros del panel trasero en el interior del cuerpo del ahumado. Inserte dos pernos 10-24 X 1" por el exterior del cuerpo del ahumador.

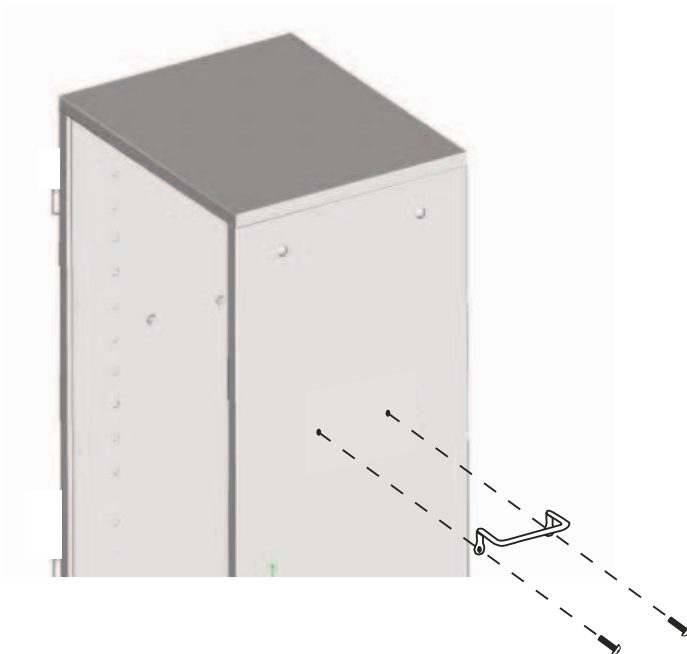
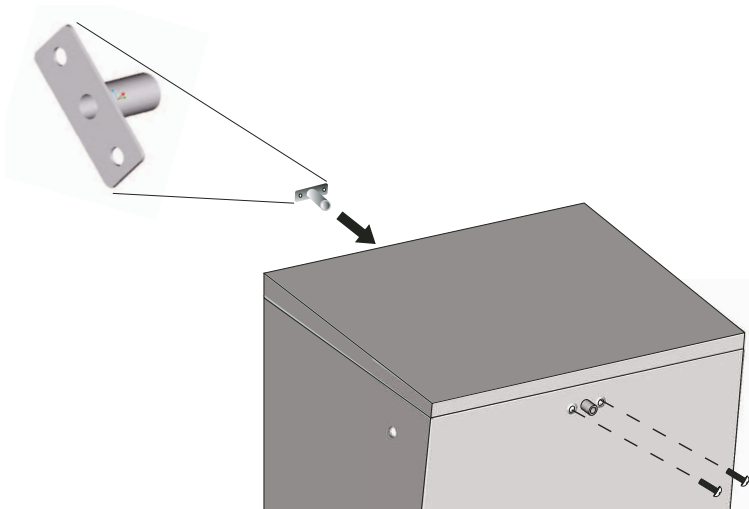
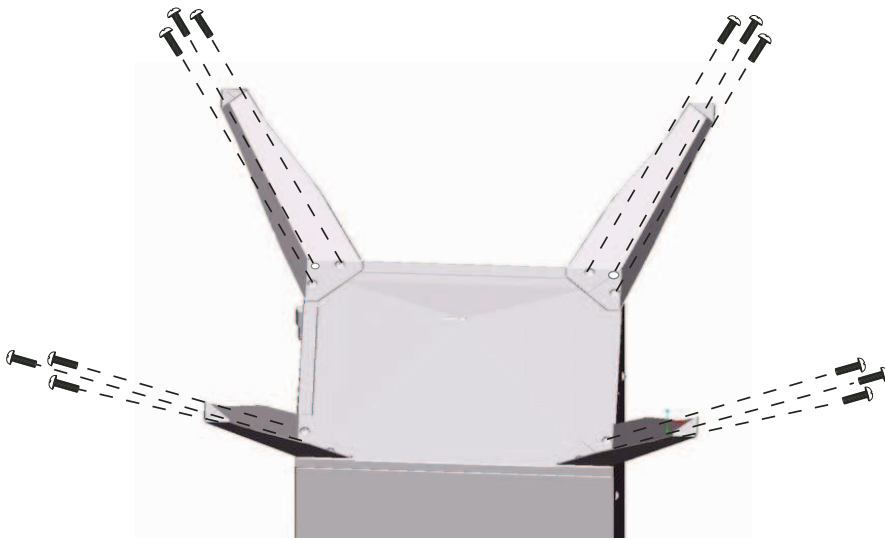
Paso 3

Desde adentro del cuerpo del ahumador, resbale las arandelas sobre los pernos y enrosque las tuercas de reborde 10-24 sobre los pernos. Apriete con seguridad las tuercas.

Nota: Alinee las agarraderas laterales con los agujeros correspondientes en el lado del cuerpo del ahumador como demostrado.

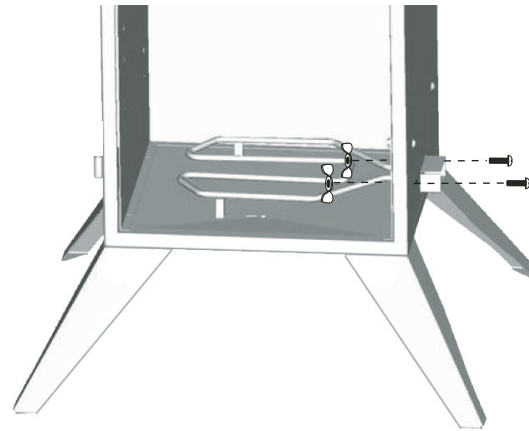
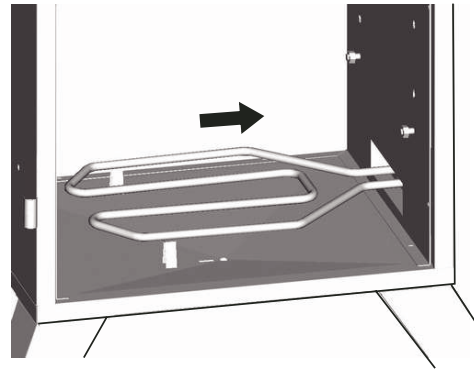
Paso 4

Ate las agarraderas laterales con dos pernos 10-24 X 5/8" a través de los lazos de la manija. Apriete con seguridad. Repita el procedimiento para el otro lado.



Paso 5

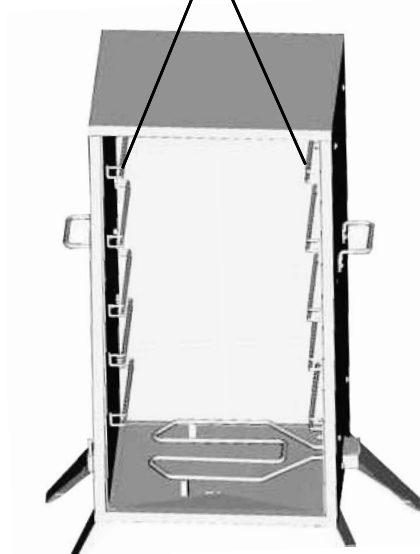
Coloque el elemento de calefacción dentro del cuerpo del ahumador y empuje el soporte por la abertura del panel derecho. Asegure el elemento de calefacción usando dos pernos 10-24 X 5/8" y tuercas del reborde 10-24.

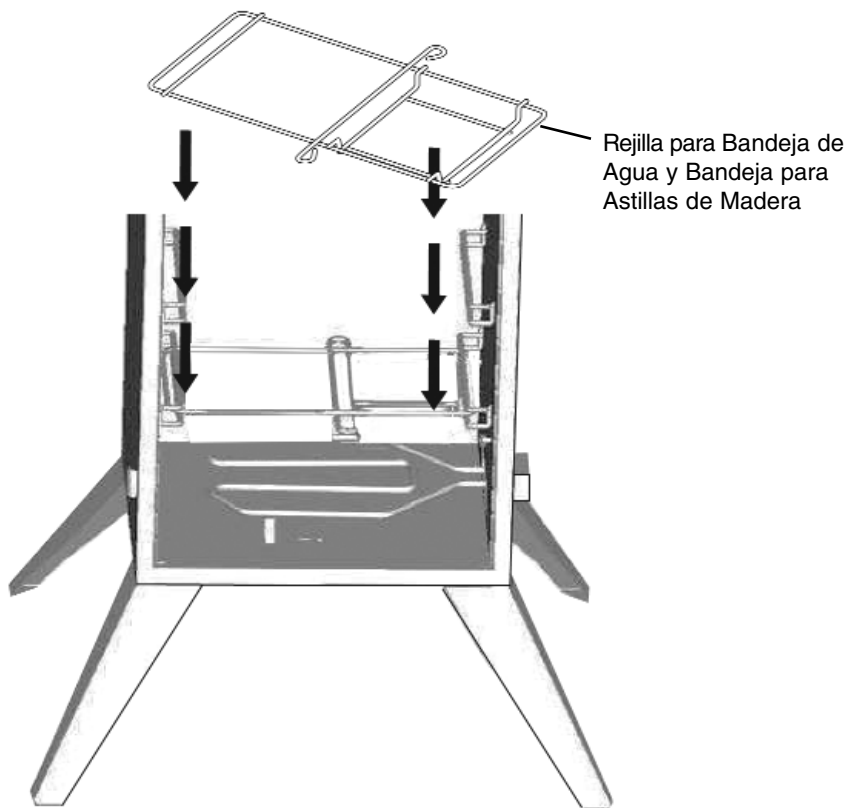


Paso 6

Inserte los soportes laterales para las rejillas por los agujeros de montaje dentro del cuerpo del ahumador según lo demostrado. Ponga dos soportes laterales en la posición más baja para sostener la bandeja de agua y la bandeja para astillas de madera.

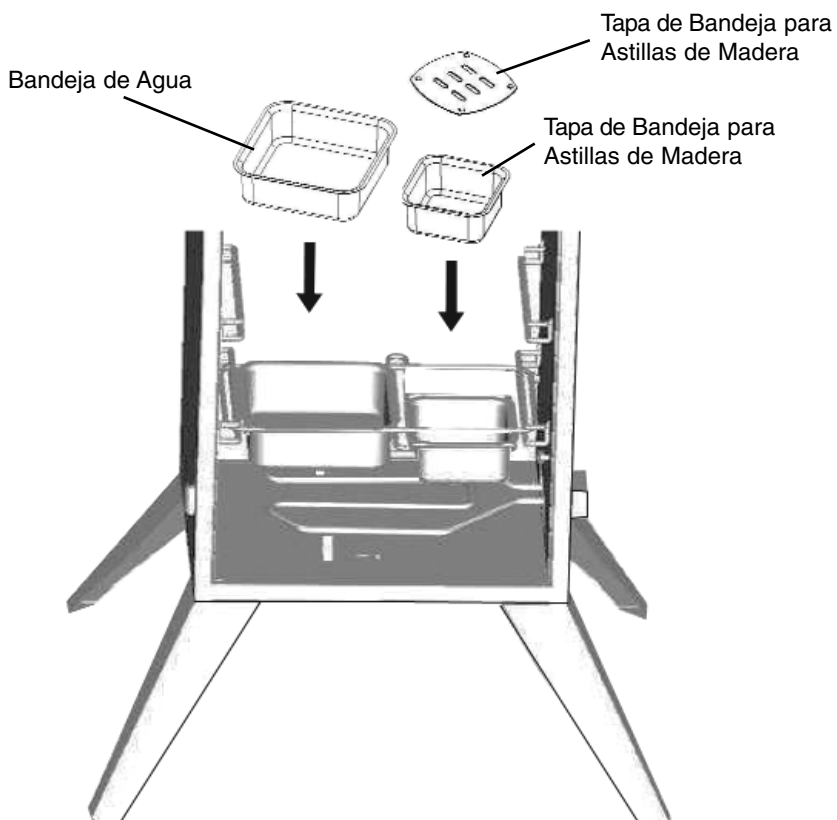
Soportes Laterales para Rejillas





Paso 7

Ponga la rejilla para la bandeja de agua y la bandeja para astillas de madera sobre el soporte en la posición más baja.

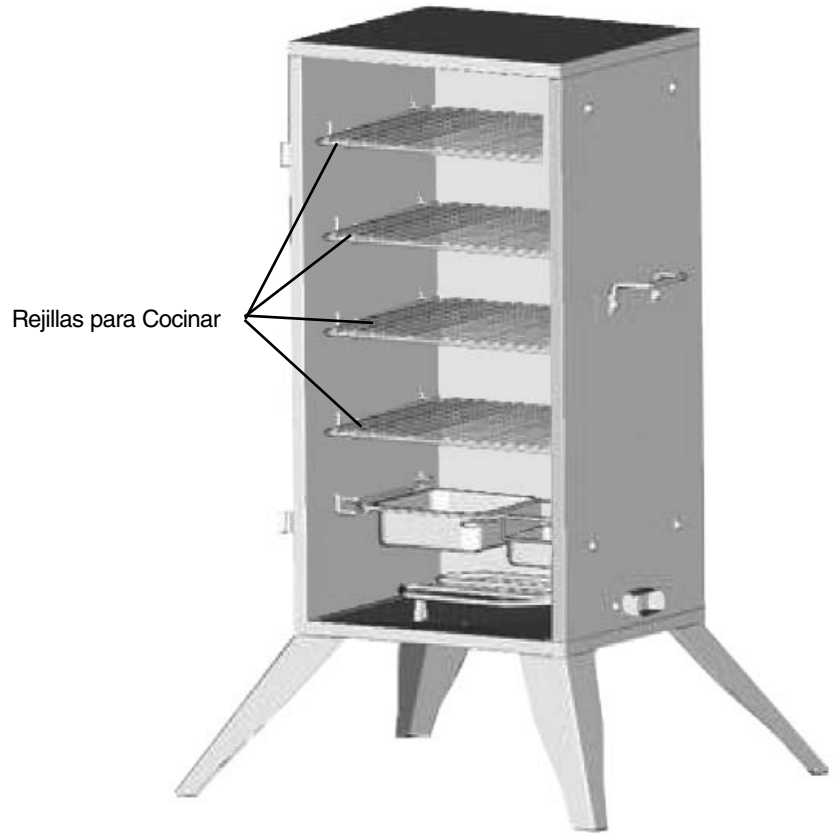


Paso 8

Ponga la bandeja de agua y la bandeja para astillas de madera sobre la rejilla en la posición más baja.

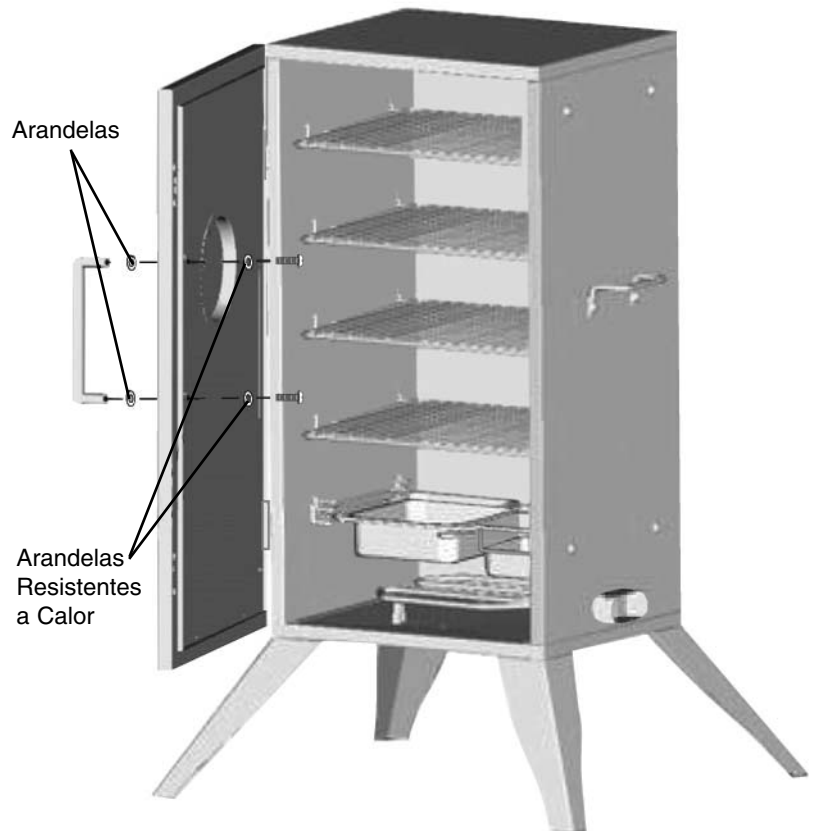
Paso 9

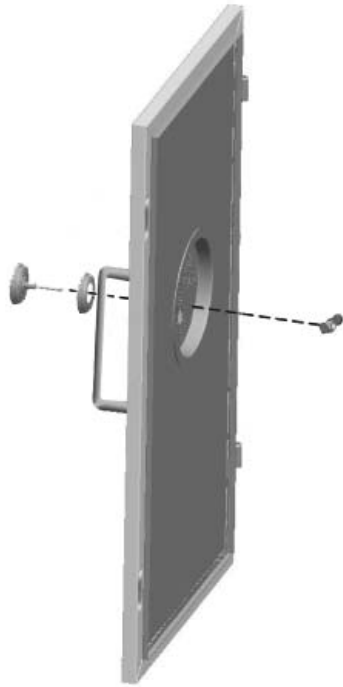
Inserte las rejillas para cocinar sobre los soportes laterales para las rejillas según lo deseado. Cerciérese de que todas las rejillas estén niveladas.



Paso 10

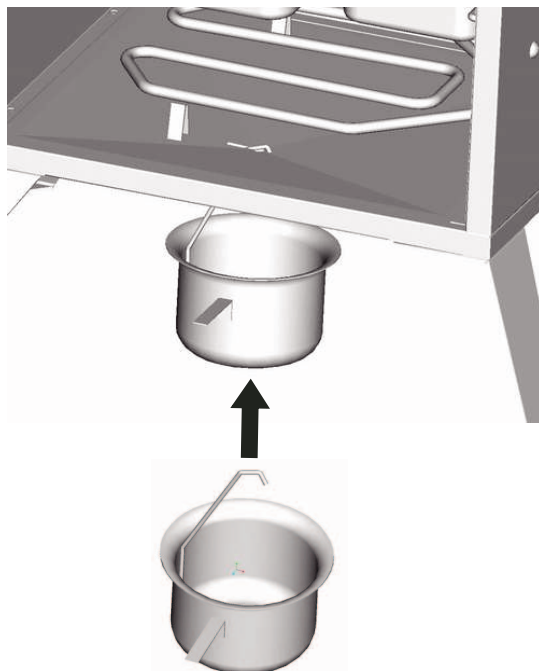
Monte el asidero de la puerta con dos pernos 10-24 X 1", dos arandelas #10 y dos arandelas resistentes a calor. Inserte cada perno a través de la puerta del interior. Desde el exterior, ponga una arandela resistente a calor sobre cada perno. Entonces enrosque los pernos en la manija. Apriete cada perno con seguridad.





Paso 11

Inserte el calibrador de temperatura con el bisel a través del agujero de montaje en el frente de la puerta. Coloque la tuerca mariposa sobre la galga del calibrador de temperatura por el interior del panel de la puerta y apriete firmemente.



Paso 12

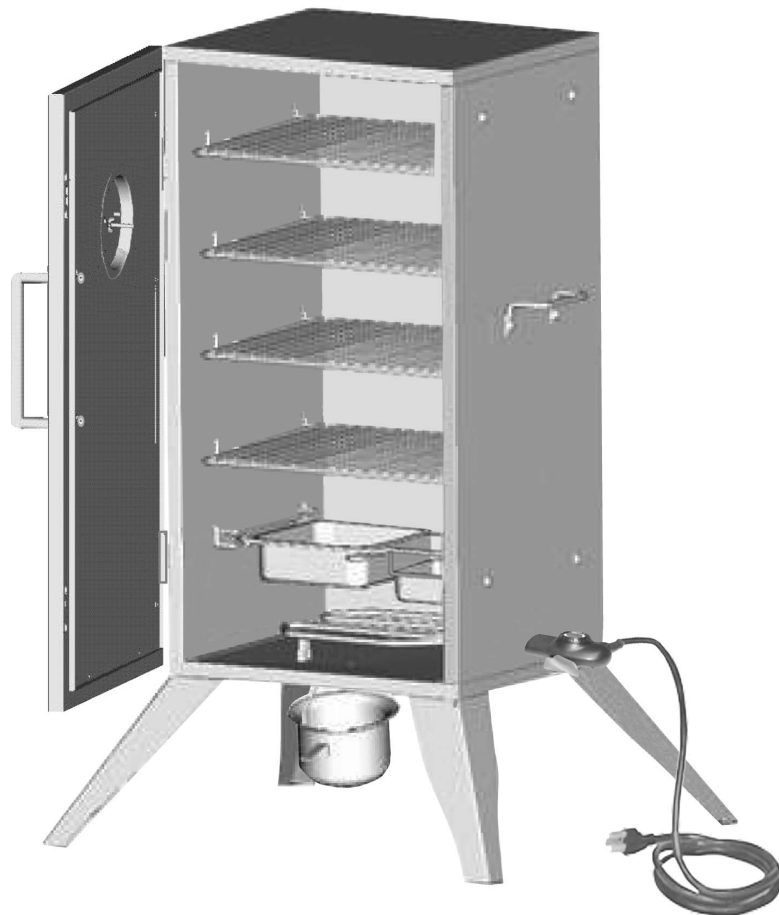
Conecte la copa de grasa en el gancho del panel inferior según lo demostrado. Cerciérese de que la conexión sea segura y la copa de grasa este nivelada.

Paso 13

Localice el regulador e inserte la punta de prueba dentro del soporte del elemento de calefacción según lo demostrado. Cerciórese de que la conexión sea segura y firme.



Ahumador Electrico para uso al Aire Libre (Armado)



INSTRUCCIONES DE OPERACIÓN



ADVERTENCIA



! COLOQUE EL AHUMADOR EN EXTERIORES, EN UNA SUPERFICIE DURA, NIVELADA NO INFLAMABLE ALEJADA DE CUALQUIER ALERO DE TECHO O CUALQUIER OTRO MATERIAL INFLAMABLE. NUNCA USE EN SUPERFICIES DE MADERA U OTRAS QUE PUDIERAN QUEMARSE. COLOQUE EL AHUMADOR LEJOS DE VENTANAS ABIERTAS O PUERTAS PARA PREVENIR QUE EL HUMO ENTRE A SU CASA. EN CLIMA VENTOSO, COLOQUE EL AHUMADOR EN UN ÁREA DE EXTERIORES EN LA QUE ESTÉ PROTEGIDO DEL VIENTO.

! LEA TODAS LAS ADVERTENCIAS DE SEGURIDAD E INSTRUCCIONES CUIDADOSAMENTE ANTES DE UTILIZAR SU AHUMADOR.

CURACION

Antes del primer uso, cure su ahumador para reducir daño al exterior también como librar el ahumador de olores de pintura que pueden impartir sabores artificiales a comida preparada.

Paso 1

Remueva la bandeja de agua del ahumador y no utilice madera para dar sabor durante el proceso de curación.

Step 2

Cubra todas las superficies interiores del gabinete del ahumador, soportes laterales y parrilla con aceite vegetal o el aerosol del aceite vegetal.

! **ADVERTENCIA:** NO cubra el elemento eléctrico ni el regulador.

Paso 3

Inserte el cable eléctrico del ahumador a un enchufe eléctrico.

Paso 4

Cure el ahumador por dos horas, después desenchufe al ahumador del enchufe eléctrico. Permita que el ahumador se refresque completamente. Es importante que el exterior del ahumador no se raspe ni se frote durante el proceso de curación y cuando se está refrescando.

NOTA: Cure su ahumador antes del primer uso. Después de limpiar, aplique una capa ligera de aceite vegetal o un aerosol de vegetal a las superficies interiores, el cuerpo del ahumador, las rejillas y la bandeja de agua. Este proceso simple ayudará a reducir oxidación interior. NO aplique el aceite al elemento o al regulador eléctrico.

AHUMANDO

Paso 1

Abra la puerta y quite la rejillas para bandeja de agua y bandeja para astillas de Madera.

Paso 2

Remueva la tapa de bandeja para astillas de madera y agregue las astillas de madera. Recomendamos el uso de astillas de madera, no pedazos de madera. Ponga la tapa de bandeja para astillas de madera en su lugar y resbale sobre la rejilla dentro del ahumador.

Paso 3

Llene cuidadosamente la bandeja de agua con agua tibia o de su opción de adobo 1 pulgada debajo del borde. No llene completamente porque puede desbordar durante uso.

! **ADVERTENCIA:** No derrame agua, adobo o ningún líquido sobre el elemento o regulador eléctrico.

Paso 4

Remueva las rejillas para cocinar y ajuste los soportes de la rejilla a la altura deseada para los artículos que usted está ahumando.

Paso 5

Coloque el alimento para cocinar sobre las rejilla(s) en una sola capa y deje suficiente espacio entre cada pedazo para permitir que el humo y la humedad circulen uniformemente. Resbale rejilla para cocinar sobre los soportes de la rejilla. Repita los pasos para cada rejilla que desea utilizar.

Paso 6

Cierre la puerta y enchufe el aparato a la tomacorriente.

! **ADVERTENCIA:** Siempre utilice tomacorriente aterrizador de 3 alambres de 120 voltios que es protegido por GFCI de 15 o 20 amperios. Si tiene duda, comuníquese con un electricista cualificado. No opere ahumador con cualquier otro aparato ni otro producto eléctrico dentro del mismo circuito.

! **ADVERTENCIA:** Cuando conecte el regulador al ahumador, conecte el regulador eléctrico al ahumador primero, cerciórese de que el regulador esté APAGADO "OFF", entonces enchufe el aparato a la tomacorriente. Al desenchufar, cerciórese de que el regulador esté APAGADO "OFF", desconecte de la tomacorriente, entonces quite el regulador del ahumador.

Paso 7

Ajuste el regulador eléctrico a la posición mas alta y permita que el ahumador se caliente. La temperatura deseada para ahumar está entre 220F y 250F. El indicador de temperatura en frente de la unidad le dejará saber cuándo el ahumador está cerca de la temperatura deseada y puede ajustar el regulador por consiguiente.

AHUMANDO (CONT)

Paso 8

Permita que el alimento se cocine aproximadamente 30-45 minutos por libra. Compruebe periódicamente que el nivel de agua esta bien y agregue agua si es necesario. Al agregar agua, use guantes para horno y resbale la rejillas para la bandeja de agua levemente hacia la abertura de la puerta, agregue el agua y resbale la rejilla para la bandeja de agua nuevamente dentro de su lugar. Usted puede agregar astillas de madera adicionales con el mismo procedimiento.

Paso 9

Utilice un calibrador de temperatura para comprobar la temperatura de su alimento. El indicador en la puerta proporcionará la temperatura aproximada dentro del ahumador pero usted debe utilizar un termómetro de carne para asegurarse de que su alimento está cocinado completamente.

Paso 10

Después de que usted termine de usar se ahumador, apague el aparato desde el regulador electrico y desenchufe el ahumador permitiendo que el ahumador se refresque. Una vez que el ahumador se haya refrescado, refiérase a la sección de "Cuidado y Mantenimiento" en este manual.

NOTA: El funcionamiento del ahumador depende de las condiciones del ambiente de la temperatura y el viento.

CUIDADO Y MANTENIMIENTO

Paso 1

La bandeja de agua, la bandeja para astillas de madera y las rejillas se deben lavar con agua caliente y jabonosa y después permitidos secar. Las rejillas se pueden cubrir ligeramente con aceite vegetal o un aerosol de aceite vegetal para evitar que el alimento se pegue a las rejillas.

Paso 2

Una capa ligera de un aerosol de aceite vegetal también se puede aplicar al interior del ahumador para evitar la oxidación.

Paso 3

Si aparece moho en el exterior del ahumador, limpie el área afectada con una lana de acero y aplique una pintura resistente a temperaturas altas.

Paso 4

No aplique pintura adicional a la superficie interior del ahumador. Si aparece moho, utilice lana de acero para quitar y despues se puede cubrir ligeramente con aceite vegetal o un aerosol de aceite vegetal.

Paso 5

Después de que el elemento eléctrico se haya refrescado completamente, limpie con un paño húmedo después de cada uso.

ALMACENAJE

ANTES DE ALMACENAR SU AHUMADOR:

- Limpie todas las superficies.
- Cuando esta fresco y no en uso, almacene su ahumador dentro en una localización seca para proteger contra oxidación.
- Si almacena el ahumador al aire libre, cubra el ahumador con una cubierta de parrilla para protección contra el clima.

ESPECIFICACIONES ELÉCTRICAS

Voltaje	120VAC
Vatios	1500W
Amperaje	12.5A
Hertz	60 HZ

TABLA DE TEMPERATURA

Aquí está la tabla para medir temperatura correctamente para cocción de carne: (Estándar USDA) (USDA Standard)

Carne Picada y Productos Molidos

Pavo, Pollo	165°F	(74°C)
Ternera, Cordero	160°F	(71°C)
Carne de Res, Cerdo	160°F	(71°C)

Carne de Res Fresca

Término Medio-Crudo	145°F	(63°C)
Término Medio	160°F	(71°C)
Término Bien Cocido	170°F	(77°C)

Borrego Fresco

Término Medio-Crudo	145°F	(63°C)
Término Medio	160°F	(71°C)
Término Bien Cocido	170°F	(77°C)

Ternera Fresca

Término Medio-Crudo	145°F	(63°C)
Término Medio	160°F	(71°C)
Término Bien Cocido	170°F	(77°C)

Aves

Pollo, entero	180°F	(82°C)
Pavo, entero	180°F	(82°C)
Pechuga, asada	170°F	(77°C)
Muslos, Alas	180°F	(82°C)
Pato y Ganso	180°F	(82°C)

Cerdo Fresco

Término Medio	160°F	(71°C)
Término Bien Cocido	170°F	(77°C)

Jamon

Fresco (crudo)	160°F	(71°C)
Pre-cocinado	140°F	(60°C)

Pez (Pescado)

(Cocine hasta que este opaco y las escamas caen fácilmente)

Nota: Estas temperaturas se miden con un termómetro de punta de prueba insertada en la carne. El indicador de calor en la puerta del ahumador no es exacta en calcular la temperatura de la carne.

IDENTIFICACIÓN Y CORRECCIÓN DE PROBLEMAS

PROBLEMA	CAUSA	CORRECCION
Elemento eléctrico no calienta	<ol style="list-style-type: none"> Asegúrese que el cable de 3 alambres este enchufado bien en una tomacorriente aterrizador de 3 alambres de 120 voltios que es protegido por GFCI de 15 o 20 amperios. Compruebe los trituradores o los fusibles para ver si hay un cortocircuito. Compruebe que el GFCI no se hay cortado o disparado. Elemento eléctrico esta dañado y necesita reemplazo. 	<ol style="list-style-type: none"> Enchufe de nuevo al cable de 3 alambres de 120 voltios que es protegido por GFCI de 15 o 20 amperios. Apague y prenda de nuevo los trituradores o sustituya el fusible. Apague y prenda la tomacorriente por el GFCI. Reemplace el elemento.
Ahumador no calienta como deberia	<ol style="list-style-type: none"> Ajuste la temperatura con el regulador eléctrico. No cheque lo comida tanto. Cuerda de extensión no es el tipo correcto. Elemento eléctrico esta dañado y necesita reemplazo. 	<ol style="list-style-type: none"> Súbale al regulador eléctrico. Abriendo demasiado la puerta permite que el calor se escape, solo abre la puerta cuando es necesario. No use una extensión, solo use extensión cuando absolutamente necesario. Use extensión mas corta posible. Use extensión 12/3 o 14/3 aterrizado de 15 amperios. Reemplace el elemento.
Ahumador calienta demasaido	<ol style="list-style-type: none"> Ajuste la temperatura con el regulador eléctrico. Elemento eléctrico esta dañado y necesita reemplazo. 	<ol style="list-style-type: none"> Bájale al regulador eléctrico. Reemplace el elemento.

Get it fixed, at your home or ours!

Your Home

For repair – **in your home** – of **all** major brand appliances, lawn and garden equipment, or heating and cooling systems, **no matter who made it, no matter who sold it!**

For the replacement parts, accessories and owner's manuals that you need to do-it-yourself.

For Sears professional installation of home appliances and items like garage door openers and water heaters.

1-800-4-MY-HOME® (1-800-469-4663)

Call anytime, day or night (U.S.A. and Canada)

www.sears.com www.sears.ca

For expert home solutions advice: www.managemyhome.com

Our Home

For repair of carry-in items like vacuums, lawn equipment, and electronics, call or go on-line for the location of your nearest

Sears Parts & Repair Service Center

1-800-488-1222 (U.S.A.) **1-800-469-4663** (Canada)

Call anytime, day or night

www.sears.com www.sears.ca

To purchase a protection agreement on a product serviced by Sears:

1-800-827-6655 (U.S.A.)

1-800-361-6665 (Canada)

Para pedir servicio de reparación a domicilio, y para ordenar piezas:

1-888-SU-HOGAR®

(1-888-784-6427)

Au Canada pour service en français:

1-800-LE-FOYER^{MC}

(1-800-533-6937)

www.sears.ca



Free Manuals Download Website

<http://myh66.com>

<http://usermanuals.us>

<http://www.somanuals.com>

<http://www.4manuals.cc>

<http://www.manual-lib.com>

<http://www.404manual.com>

<http://www.luxmanual.com>

<http://aubethermostatmanual.com>

Golf course search by state

<http://golfingnear.com>

Email search by domain

<http://emailbydomain.com>

Auto manuals search

<http://auto.somanuals.com>

TV manuals search

<http://tv.somanuals.com>