

Owner's Manual



Vacuum Cleaner

Model 116.31720
116.31721



CAUTION:

Read and follow all safety and operating instructions before first use of this product.

Sears, Roebuck and Co., Hoffman Estates, IL 60179 U.S.A.
www.sears.com

Part No. CØ1ZBJBØØUØØ-8191917

Printed in U.S.A.

TABLE OF CONTENTS

Before Using Your New Vacuum	2	Vacuum Cleaner Care	12
Kenmore Vacuum Cleaner Warranty	2	Vacuum Storage	12
Important Safety Instructions	3	Cleaning Exterior and Attachments	12
Parts and Features	4	Dust Bin Cleaning	13-14
Assembly Instructions	5-6	Secondary Filter Cleaning	14
Operating Instructions	7	Filter Changing/Cleaning	15
Pile Height Selection and Setting	7	Belt Changing and Agitator Cleaning ..	16-17
Releasing the Handle	8	Clog Removal	18
ON/OFF Switch	8	Motor Protector	18
Attachments	9-10	Light Bulb Changing	19
Attachment Use Chart	10	Agitator Servicing	20
Vacuuming Tips	11	Agitator Assembly	20
Performance Features	11	Troubleshooting	21
		Requesting Assistance Or Service ..	22

BEFORE USING YOUR NEW VACUUM

Please read this guide. It will help you assemble and operate your new Kenmore vacuum in the safest and most effective way.

For more information about the care and operation, call your nearest Sears store. You will need the complete model and serial numbers when requesting information. Your vacuum's model and serial numbers are located on the Model and Serial Number Plate.

Use the space below to record the model number and serial number of your new Kenmore vacuum.

Model No. _____

Serial No. _____

Date of Purchase _____

Keep this book and your sales check (receipt) in a safe place for future reference.

KENMORE VACUUM CLEANER WARRANTY

LIMITED ONE YEAR WARRANTY ON KENMORE VACUUM CLEANER

This warranty is for one year from the date of purchase, and includes only private household vacuum cleaner use. During the warranty year, when this vacuum cleaner is operated and maintained according to the owner's manual instructions, Sears will repair any defects in material or workmanship free of charge.

This warranty excludes vacuum bags, belts, light bulbs, and filters, which are expendable parts and become worn during normal use.

For warranty service, return this vacuum cleaner to the nearest Sears Service Center in the United States.

This warranty applies only while this product is in use in the United States. This warranty gives you specific legal rights, and you may also have other rights which vary from state to state.

Sears, Roebuck and Co., D/817 WA, Hoffman Estates, IL 60179

IMPORTANT SAFETY INSTRUCTIONS



WARNING

Your safety is important to us. To reduce the risk of fire, electrical shock, injury to persons or damage when using your vacuum cleaner, follow basic safety precautions including the following:

Read this manual before assembling or using your vacuum cleaner.

Use your cleaner only as described in this manual. Use only with Sears recommended attachments.

To reduce the risk of electrical shock –
Do not use outdoors or on wet surfaces.

Disconnect electrical supply before any servicing or cleaning. Failure to do so could result in electrical shock or personal injury.

Always turn cleaner off before unplugging.

Do not unplug by pulling on cord. To unplug, grasp the plug, not the cord.

Do not use with damaged cord or plug. If cleaner is not working as it should, has been dropped, damaged, left outdoors, or dropped into water, return it to a Sears Service Center/Department.

Do not pull or carry by cord, use cord as a handle, close door on cord, or pull cord around sharp edges or corners. Do not run cleaner over cord. Keep cord away from heated surfaces.

Do not leave cleaner when plugged in. Unplug from outlet when not in use and before servicing.

Do not allow to be used as a toy. Close attention is necessary when used by or near children.

Do not handle plug or cleaner with wet hands.

Do not put any objects into openings.

Do not use with any opening blocked; keep free of dust, lint, hair and anything that may reduce air flow.

Keep hair, loose clothing, fingers, and all parts of body away from openings and moving parts.

Do not use cleaner without dust bin and/or filters in place.

Always clean the dust bin after vacuuming carpet cleaners or freshener, powders and fine dust. These products clog the filters, reduce airflow and can cause the bag to burst. Failure to clean the dust bin could cause permanent damage to the cleaner.

Do not use the cleaner to pick up sharp hard objects, small toys, pins, paper clips, etc. They may damage the cleaner or dust bag.

Do not pick up anything that is burning or smoking, such as cigarettes, matches, or hot ashes.

Do not use cleaner to pick up flammable or combustible liquids (gasoline, cleaning fluids, perfumes, etc.), or use in areas where they may be present. The fumes from these substances can create a fire hazard or explosion.

Use extra care when cleaning on stairs. Do not put on chairs, tables, etc. Keep on floor.

You are responsible for making sure that your vacuum cleaner is not used by anyone unable to operate it properly.

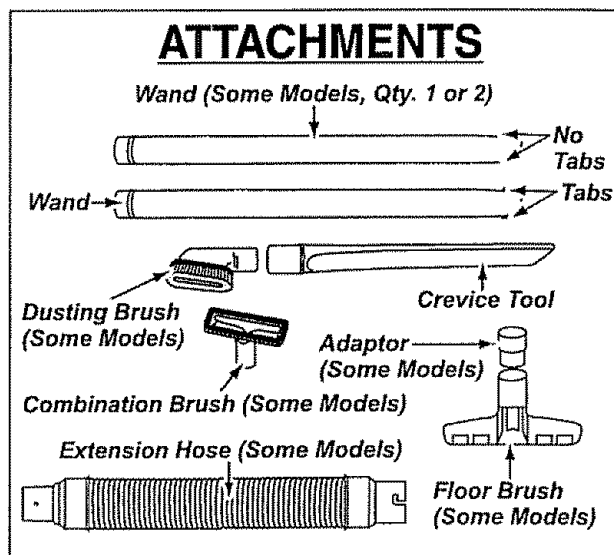
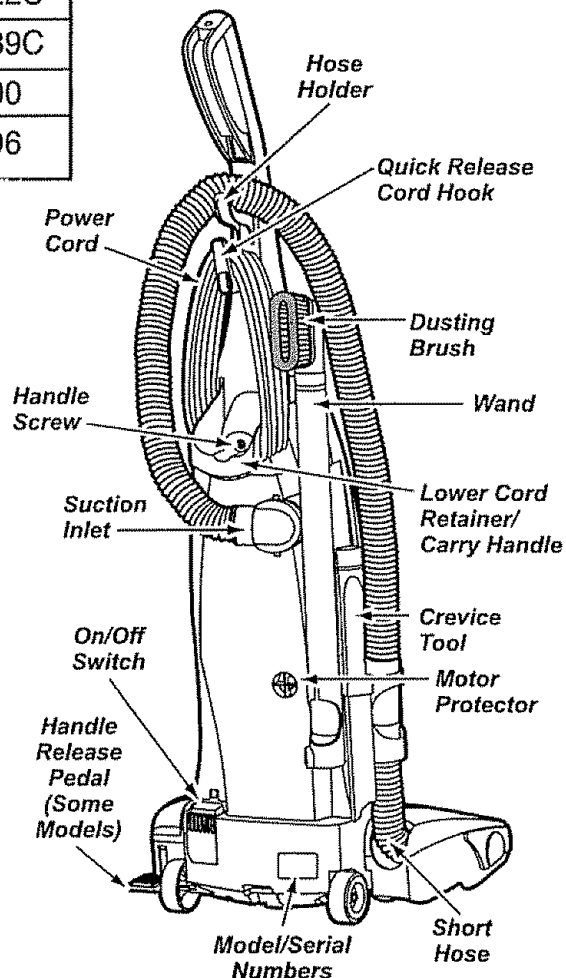
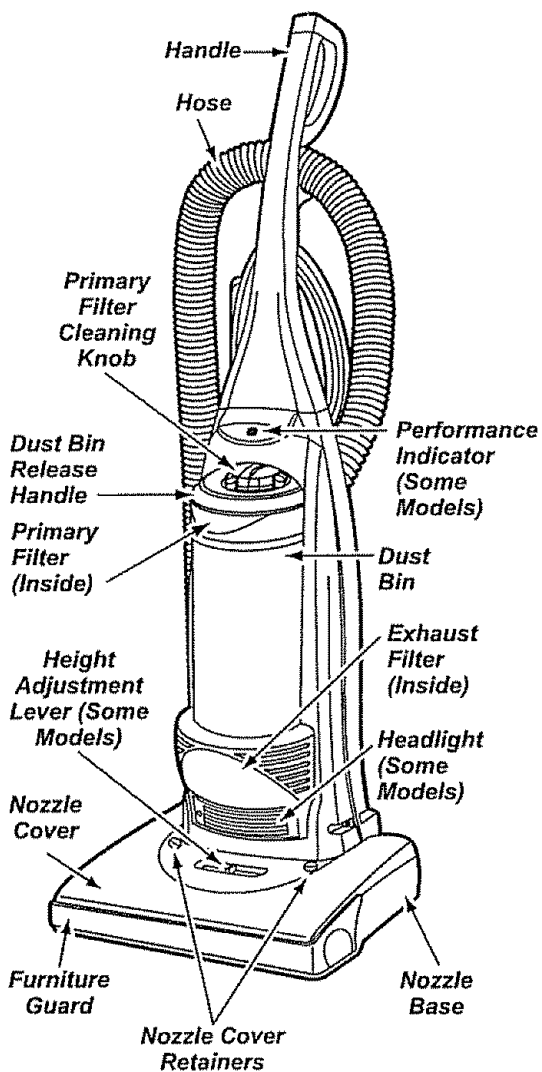
SAVE THESE INSTRUCTIONS

Proper assembly and safe use of your vacuum cleaner are your responsibilities. Your cleaner is intended only for household use. Read this Owner's Manual carefully for important use and safety information. This guide contains safety statements under warning and caution symbols. Please pay special attention to these boxes and follow any instructions given. **WARNING** statements alert you to such dangers as fire, electrical shock, burns and personal injury. **CAUTION** statements alert you to such dangers as personal injury and/or property damage.

PARTS AND FEATURES

It is important to know your vacuum cleaner parts and features to assure its proper and safe use. Review these before using your cleaner.

Item	Part No. In U.S.	Part No. In Canada
Primary Filter	20-50722	20-50722C
Exhaust Filter	20-86889	20-86889C
Headlight Bulb	20-5240	20-40600
Belt	20-5275	20-40096



ASSEMBLY INSTRUCTIONS

Before assembling vacuum, check the PACKING LIST on the cover of the separate Repair Parts List. Use this list to verify that you have received all the components of your new Kenmore vacuum.



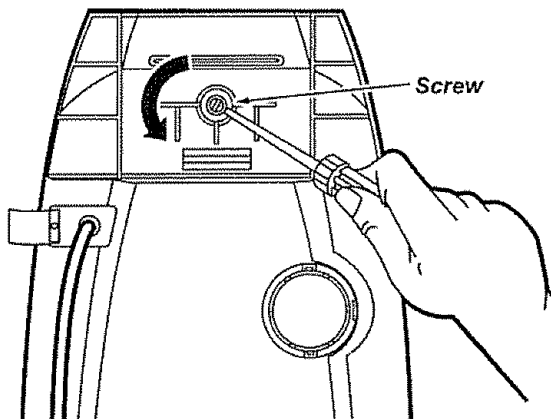
WARNING

Electrical Shock Hazard

Do not plug into the electrical supply until the assembly is complete. Failure to do so could result in electrical shock or injury.

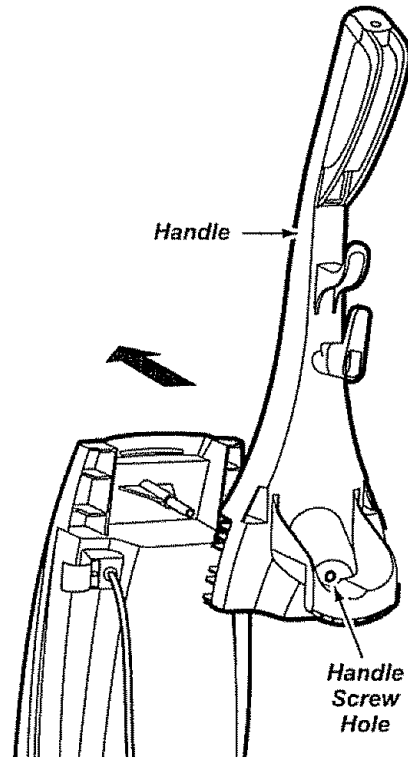
HANDLE ASSEMBLY

Remove the screw located just below the top edge of the back of the vacuum.

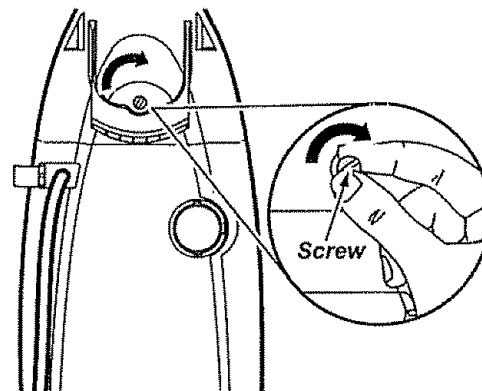


Position the handle as shown in the illustration below.

While holding the power cord out of the way, slide the handle into the opening at the top of the vacuum.



Insert the screw so it passes through the handle into the vacuum.



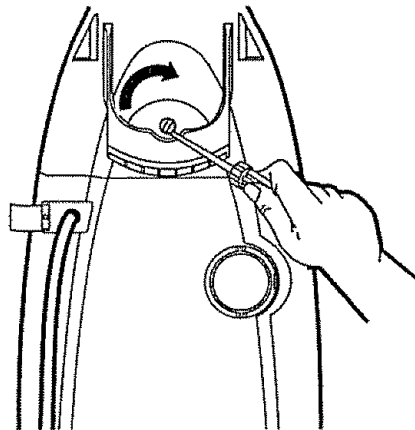
Begin to tighten the screw with your fingers. It may be necessary to adjust the handle slightly.



CAUTION

Do not overtighten.
Overtightening could strip the screw holes.
Do not operate the cleaner without the screw in place.

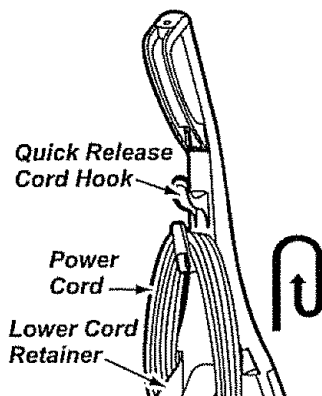
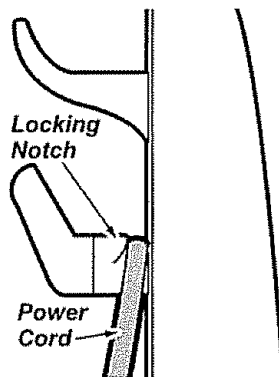
Using a screwdriver, tighten the screw.



CORD ASSEMBLY

Make sure the quick release cord hook is in the upright position. Remove the wire tie from the power cord.

Lock the cord into place by forcing it into the locking notch on the body of the quick release cord hook as shown. This helps keep the power cord out from under the vacuum cleaner agitator.

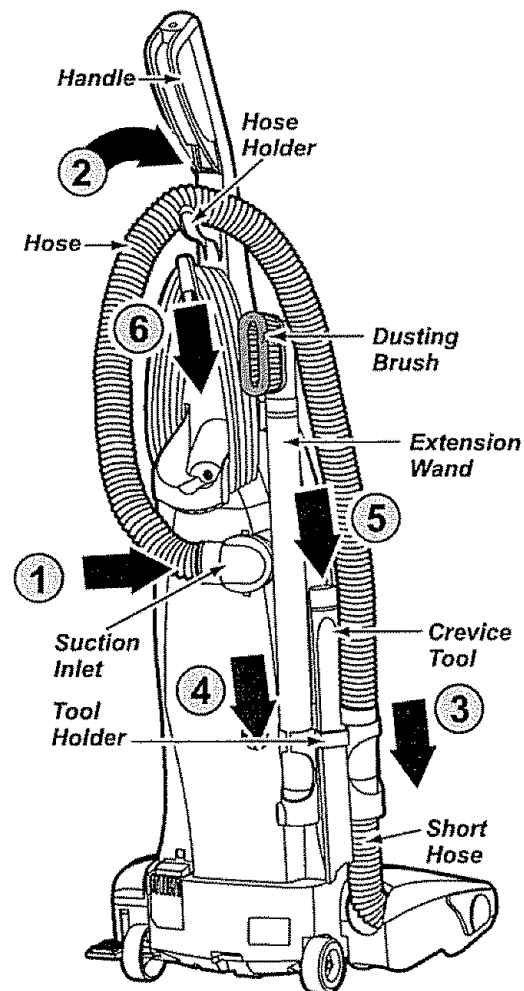


Wrap the power cord around the quick release cord hook and lower cord retainer, then lock the power cord plug onto the power cord.

ATTACHMENT ASSEMBLY

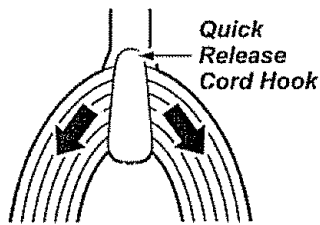
After the handle has been assembled to the body and the power cord has been wrapped around the cord hooks, the attachments can be assembled.

1. Snap the suction inlet end of the hose into the back of the vacuum cleaner.
2. Place the hose behind the handle and over the hose holder.
3. Place the hose in the front slot of the tool holder, twisting and pushing down over the short hose to assure a good connection.
4. Place the extension wand in the rear slot of the tool holder.
5. Slide the crevice tool into the slot beside the wand.
6. Place the dusting brush or combination brush on the wand with the brush portion up.



OPERATING INSTRUCTIONS

HOW TO START



1. Turn the quick release cord hook to either side and down to release the power cord.

2. Release the power cord plug from the power cord and pull the cord off the quick release cord hook. Check to be sure the power cord is still locked into the locking notch in the quick release cord hook.

NOTE: To reduce the risk of electric shock, this vacuum cleaner has a polarized plug, one blade is wider than the other. This plug will fit in a polarized outlet only one way. If the plug does not fit fully in the outlet, reverse the plug. If it still does not fit, contact a qualified technician to install the proper outlet. Do not change the plug in any way.



WARNING

Personal Injury and Product Damage Hazard

- **DO NOT** plug in if switch is in the **ON** position. Personal injury or damage could result.
- **DO NOT** use outlets above counters. Damage to items in surrounding area could occur.

3. Plug the polarized power cord into a 120 Volt outlet located near the floor.

PILE HEIGHT SELECTION AND SETTING

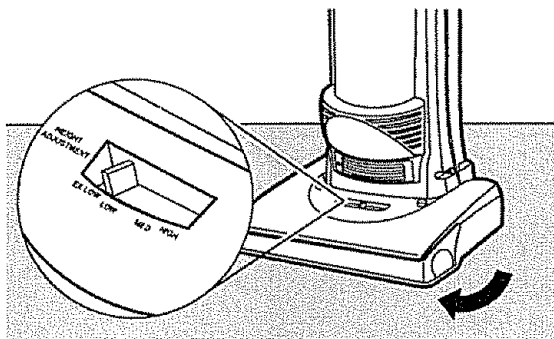
SOME MODELS

To select a pile height setting:

Turn off cleaner. Select a pile height setting by tilting the cleaner back until front wheels are lifted slightly off the floor as illustrated.

Slide the adjustment lever to the correct setting.

Models with no selector adjust automatically for varying carpet heights.



SUGGESTED PILE HEIGHT SETTINGS

You may need to raise the height to make some jobs easier, such as scatter rugs and longer pile carpets. Suggested settings are:

Models with two (2) positions:

HIGH: medium to long pile.

LOW: short to medium pile.

Models with four (4) positions:

HIGH: shag carpet, long pile, plush, scatter rugs

MED: medium to long pile.

LOW: short to medium pile.

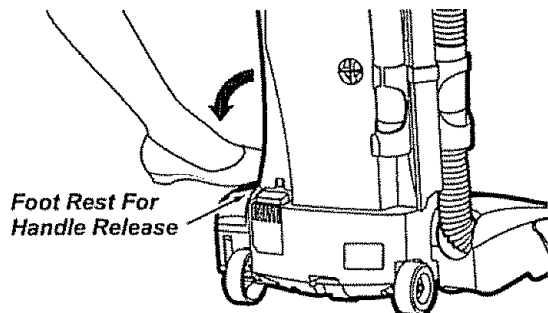
EX LOW: very low pile.

Place unit in "HIGH" when using attachments to prevent possible floor damage.

ATTENTION: Special care is required when vacuuming certain types of carpet or floor covering. Always check the carpet or floor covering manufacturer's recommended cleaning instructions before vacuuming.

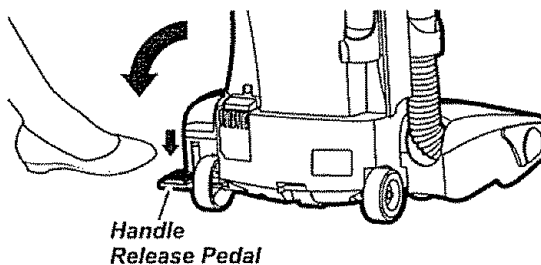
RELEASING THE HANDLE

Release the handle by placing your foot on the foot rest and pull back on the handle until it releases from its upright position.



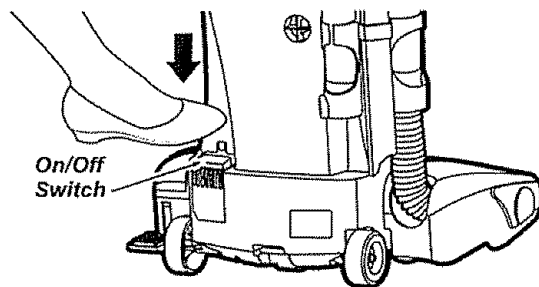
SOME MODELS

Release the handle by pressing down on the handle release pedal with your foot and pulling back and down on the handle with your hand.



ON/OFF SWITCH

To start the vacuum cleaner, step on the ON/OFF switch located on the back of the vacuum. To stop the vacuum cleaner, step on the switch a second time.



ATTACHMENTS



WARNING

Personal Injury Hazard and Property Hazard

DO NOT place hands or feet underneath the unit at any time. When using attachments, the agitator continues rotating. Do not allow the cleaner to remain in just one place for a period of time as the agitator may damage the floor surface. Avoid placing the cleaner on furniture, the fringed area of rugs, deep pile carpeting, or carpeted stairs. The ideal position for the cleaner when using attachments is for the unit to be on a level area with the handle in the **full upright** position.

TO USE ATTACHMENTS:

Place the cleaner on a flat surface, and move the height adjustment to **HIGH**.

The attachments will fit on the hose or the wand. In addition, the dusting brush or combination brush will also fit on the crevice tool.

The hose and wand can be pulled off the short hose by grasping the cuff and twisting while pulling up.



CAUTION

DO NOT pull the vacuum cleaner around the room by the hose. Property damage could result.

The attachments can be added to the hose if the item to be cleaned is not far from the cleaner. The hose on some models will expand.

NOTE: When cleaner is turned on, the hose on some models will have a tendency to collapse due to suction of the cleaner.

If more reach is needed, the wand can be attached to the hose and the attachments can be added to the wand.

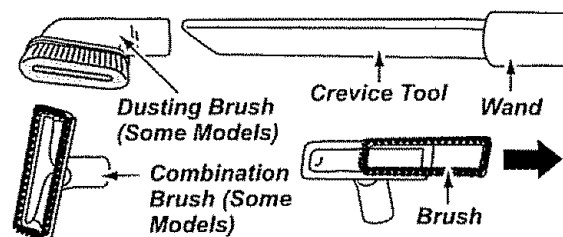


CAUTION

When using attachments, be careful not to overextend the hose length when reaching. Trying to reach beyond the hose reach could cause the cleaner to tip over.

SOME MODELS

An extra wand, without tabs, is included. This extra wand can be added to the wand with tabs for extra reach. Insert wand and twist a quarter of a turn to secure fit.



If the dusting brush/combination brush is being used and more distance is needed, the crevice tool can be added to the wand, then the dusting brush/combination brush can be added to the crevice tool.

TO STORE ATTACHMENTS

Return the hose to its position on the short hose and the attachments to their holders.



CAUTION

Attachments used in dirty areas, such as under a refrigerator, should not be used on other surfaces until they are washed. They could leave marks.

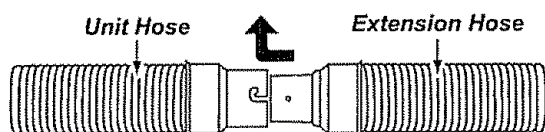


CAUTION

When using the regular hose or with the extension hose attached, the cleaner should be on a solid surface on the same level or below the level of the user's feet. **DO NOT** use the hoses when the cleaner is above the level of the user's feet.

EXTENSION HOSE: SOME MODELS

Some models include an extra hose which connects to the stretch hose on the vacuum for a longer cleaning reach.

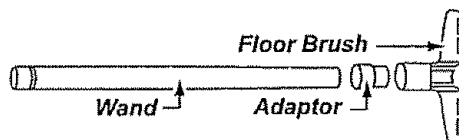


Insert the two tabs on the end of the extension hose into the two "J" shaped slots on the unit hose and twist to connect.





All attachments and the wand can be attached to the open end of the hose.

FLOOR BRUSH AND WAND: SOME MODELS

Some models have an extra brush and wand for cleaning bare floors. Twist one end of the adaptor into the floor brush and the other end into the straight wand. Connect the straight wand to the telescopic wand and then to the vacuum hose or extension hose.



ATTACHMENT USE CHART

ATTACHMENT	CLEANING AREA				
	Furniture*	Between Cushions*	Drapes*	Stairs	Walls
DUSTING BRUSH 	X		X	X	X
CREVICE TOOL 	X	X		X	
COMBINATION BRUSH 	X		X	X	
HANDI-MATE™ JR. 	X			X	

The motor protector may open when using attachments or when cleaning new carpet due to reduced air flow by the attachments themselves or by new carpet fuzz filling the bag quickly.

*Always clean attachments before using on fabrics.

VACUUMING TIPS



WARNING

Personal Injury Hazard

Use care if vacuum cleaner is placed on stairs. If it falls, personal injury or property damage could result.

Carpet edges.

Guide either side or the front of the nozzle along a baseboard. The full length brushes help remove trapped dirt at carpet edges.

Stairs.

Put handle in full upright position. Use the crevice tool or dusting brush. Set the On/Off switch to ON.

PERFORMANCE FEATURES

MOTOR PROTECTION SYSTEM

Thermal Protector

This vacuum has a thermal protector which automatically trips to protect the vacuum from overheating. If a clog prevents the normal flow of air to the motor, the thermal protector turns the motor off automatically to allow the motor to cool in order to prevent possible damage to the vacuum. During this time the headlight remains on.

To correct problem: If this occurs, turn the vacuum off and unplug the power cord from the outlet to allow the vacuum to cool and the thermal protector to reset. **Check for and remove clogs, if necessary. Also check and clean/replace any clogged filters. Wait approximately thirty (30) minutes and plug the vacuum in and turn back on to see if the motor protector has reset. The motor protector will not reset if the vacuum is not turned off even if the vacuum has cooled down.**

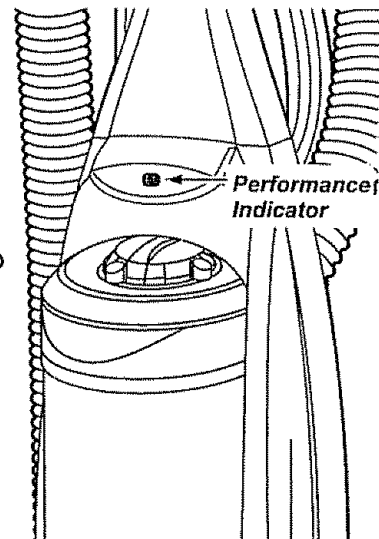
PERFORMANCE INDICATOR SOME MODELS

When the unit is running with normal air flow, the light on the performance indicator is off. The light comes on whenever the airflow becomes blocked. If that occurs, check the dust bin, clean/replace clogged filters, and check other possible clog locations shown in CLOG REMOVAL.

To correct problem:

See the TROUBLE-SHOOTING chart.

NOTE: The light may also come on when using attachments, due to reduced airflow through the attachment.



VACUUM CLEANER CARE

Always follow all safety precautions when cleaning and servicing the vacuum cleaner.



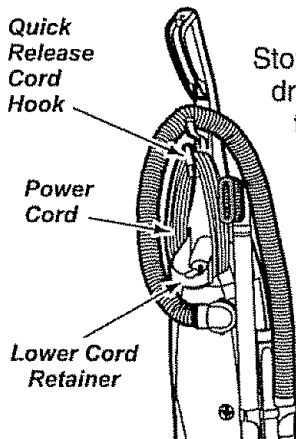
WARNING

Electrical Shock And Personal Injury Hazard

Disconnect electrical supply before servicing or cleaning the unit. Failure to do so could result in electrical shock or personal injury from cleaner suddenly starting.

VACUUM STORAGE

Gather the power cord and wrap it loosely around the quick release cord hook and lower cord retainer.



Store the cleaner in a dry, indoor area, on the floor with the handle locked in the upright position.



WARNING

Electrical Shock And Personal Injury Hazard

Wrapping the cord too tightly puts stress on the cord and can cause cord damage. A damaged cord is an electrical shock hazard and could cause personal injury or damage.

CLEANING EXTERIOR AND ATTACHMENTS

Unplug cord from wall outlet. **DO NOT** drip water on cleaner.

Clean exterior using a clean, soft cloth that has been dipped in a solution of mild liquid detergent and water, then wrung dry. Wipe dry after cleaning.

To reduce static electricity and dust build-up, wipe outer surface of cleaner and attachments.

Wash attachments in warm soapy water, rinse and air dry. **Do not clean in dishwasher.**

DO NOT USE ATTACHMENTS IF THEY ARE WET.



CAUTION

Attachments used in dirty areas, such as under a refrigerator, should not be used on other surfaces until they are washed. They could leave marks.

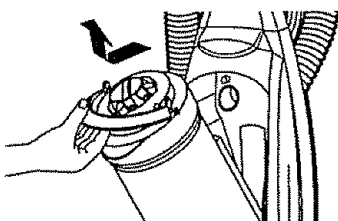
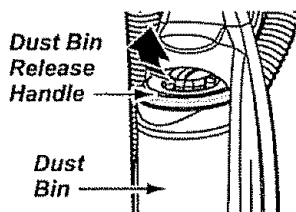
DUST BIN CLEANING

Always empty the dust bin when dirt level reaches the "MAX FILL" line.

TO REMOVE DUST BIN:

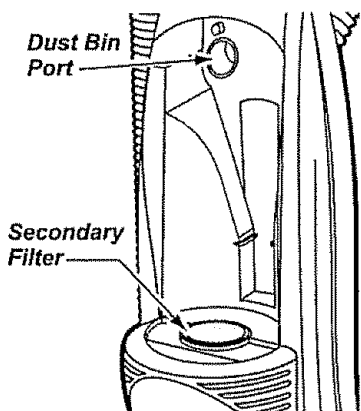
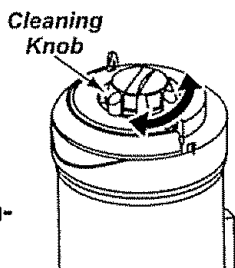
! WARNING
Always unplug power cord from electrical outlet before performing any service on vacuum.

Lift dust bin handle located at the top of the dust bin.



Pull the handle forward and lift dust bin up and out of the vacuum cleaner.

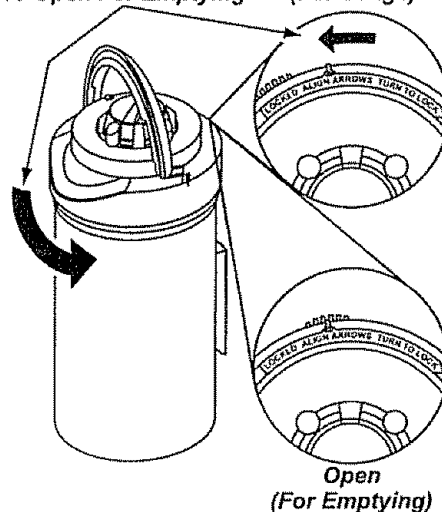
Every time dust bin is removed, rotate cleaning knob on top of dust bin at least two complete revolutions to clean filter, and to maintain cleaning performance.



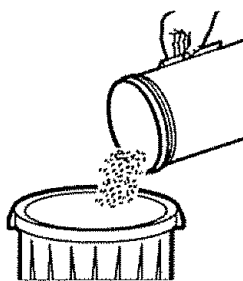
Remove any clogs that might be located in the dust bin port or the secondary filter.

TO EMPTY DUST BIN:

Turn This Direction To Open For Emptying
Closed (For Usage)



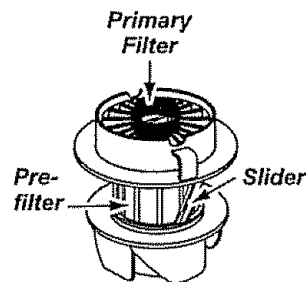
Rotate dust bin lid assembly counterclockwise as indicated on the lid and lift off.



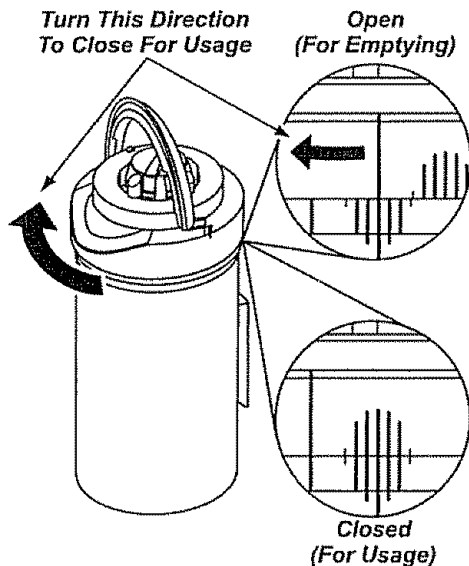
Pour dust bin contents into a trash container.

TO CLEAN PRE-FILTER:

Certain types of household dirt may stick to the pre-filter. For maximum performance, remove any build-up on the pre-filter.

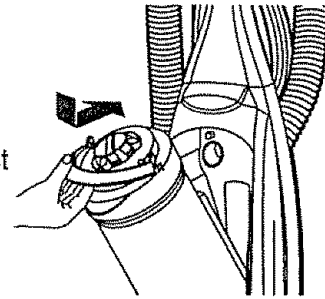


TO REPLACE DUST BIN:



Replace dust bin lid assembly by placing back on dust bin with the marks on the lid aligned as shown under *Open (For Emptying)* on the back of the dust bin. Rotate lid clockwise while pressing downward so marks align as shown above *Close (For Usage)*.

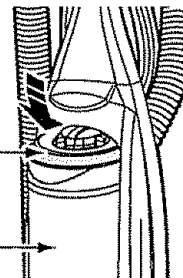
Place dust bin back into vacuum cleaner by inserting the bottom first and tilt back with the dust bin handle raised.



Dust Bin Release Handle

Dust Bin

Lower the dust bin handle to lock dust bin in place.



SECONDARY FILTER CLEANING

Check secondary filter frequently and clean when dirty.



WARNING

Electrical Shock Hazard

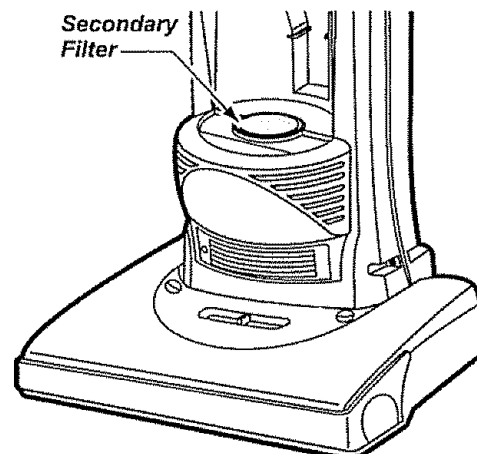
Do not operate the cleaner without the motor safety filter. Be sure the filter is properly installed to prevent motor failure and/or electrical shock.

Always unplug power cord from electrical outlet before performing any service on vacuum.

SECONDARY FILTER FOAM

Remove the dust bin as outlined in the **DUST BIN CLEANING** section.

Remove secondary filter from vacuum cleaner.



Wash the secondary filter in warm soapy water, rinse and dry thoroughly by squeezing the filter in your hand and letting it air dry.

DO NOT wash in the dishwasher.

DO NOT install damp.

Replace dry secondary filter. Ensure filter is properly installed over filter opening.

Replace the dust bin as outlined in the **DUST BIN CLEANING** section.

FILTER CHANGING/CLEANING



WARNING

Electrical Shock Hazard

Unplug power cord from electrical outlet. Do not operate the cleaner without the primary or exhaust filters. Be sure the filters are properly installed to prevent motor failure and/or electrical shock.

PRIMARY FILTER

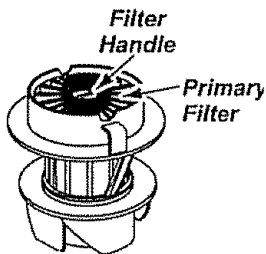
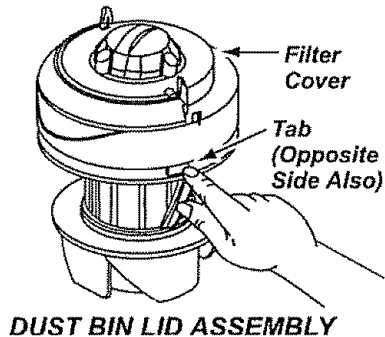
The filter **CANNOT** be washed as it will lose its dust trapping ability.

Check primary filter frequently and clean when dirty.

TO REMOVE PRIMARY FILTER:

Remove the dust bin and dust bin lid assembly as outlined in the DUST BIN CLEANING section.

Remove filter cover by pushing in at tabs located beneath handle hinges, and lifting off.



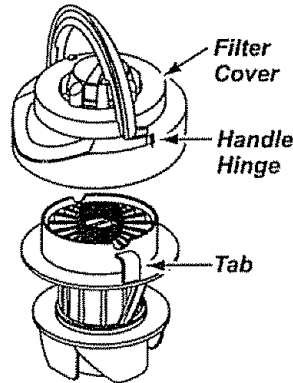
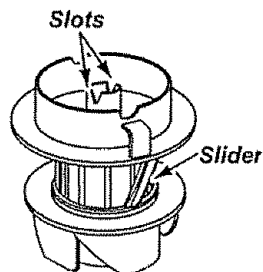
Grasp filter handle and lift out.

Clean primary filter by gently tapping over a trash container.

TO REPLACE PRIMARY FILTER:

Replace filter and rotate it until handle drops into the slots.

Check sliders and remove any obstructions



Replace dust bin lid by snapping into place with handle hinges aligned to tabs.

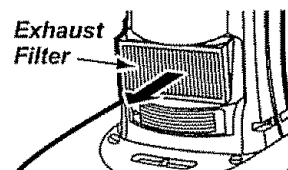
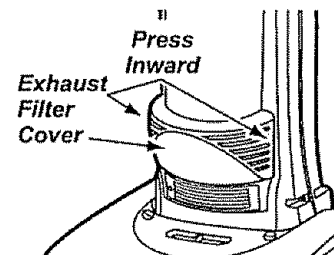
Replace the dust bin as outlined in the DUST BIN CLEANING section.

EXHAUST FILTER HEPA

The exhaust filter cartridge must be replaced when dirty. It should be replaced regularly depending on use conditions. **The filter CANNOT be washed as it will lose its dust trapping ability.**

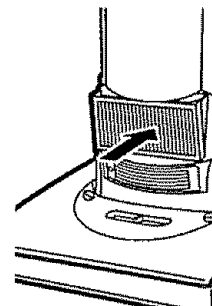
NOTE: See PARTS AND FEATURES for the exhaust filter part number.

Press inward on each side of exhaust filter cover and pull out to remove from vacuum cleaner.



Remove the exhaust filter cartridge.

Replace the exhaust filter cartridge, carefully positioning it so that it fits into the motor cover. **The grey edge of the filter should be facing away from the operator.** Push only on filter cartridge frame, not on filter itself.



Replace the exhaust filter cover by placing tabs in slots and pushing in until cover snaps into place.

BELT CHANGING AND AGITATOR CLEANING



WARNING

Electrical Shock Or Personal Injury Hazard

Disconnect electrical supply before servicing or cleaning the unit. Failure to do so could result in electrical shock or personal injury from cleaner suddenly starting.

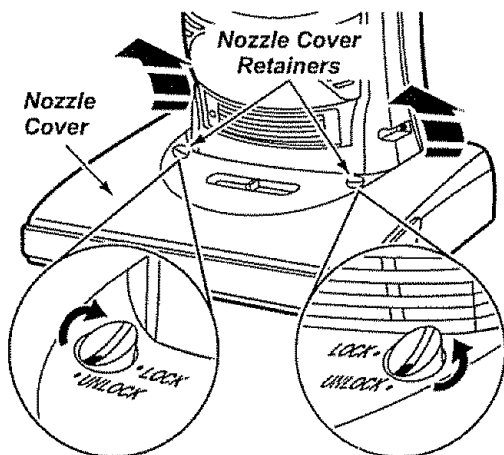
Frequently check and remove hair, string and lint build-up in the brush area. If build-up becomes excessive, follow the steps below. Should the belt become loose or should it break, follow the Belt Removal Instructions.

TO REMOVE NOZZLE COVER:

Disconnect electrical supply.

To protect the floor surface, always place paper under the nozzle any time the nozzle cover is removed.

Release the nozzle cover by rotating the nozzle cover retainers to the UNLOCK position. Rotate upward and lift up on the nozzle cover to remove it from the nozzle base.



Carefully remove any residue that may exist in the belt area.

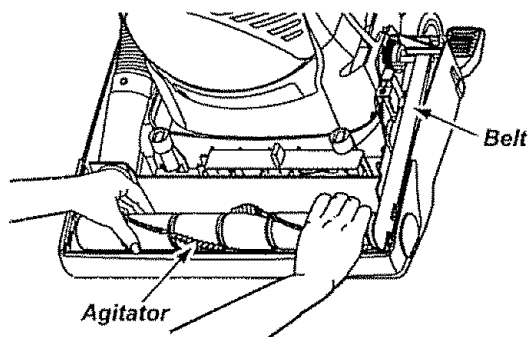


WARNING

Personal Injury Hazard

Always unplug the vacuum cleaner before cleaning the brush area as agitator may suddenly restart. Failure to do so can result in personal injury.

TO REMOVE BELT/CLEAN AGITATOR:



Position hands on the agitator. If the belt is still attached to the agitator, there will be tension on it.

Carefully lift the right end of the agitator and then lift the left end.

Remove the worn or broken belt from the motor drive shaft.



WARNING

Personal Injury Hazard

Be careful when removing the agitator as the belt tension is high. Failure to do so could result in personal injury from the agitator releasing quickly and snapping away.

Remove the agitator to check for string and hair build-up.

NOTE: In order to keep cleaning efficiency high and to prevent damage to your vacuum, the agitator must be cleaned every time the belt is changed.

The agitator must also be cleaned according to the following schedule:

Vacuum Use

HEAVY -
(used daily)

MODERATE -
(used 2-3 times/week)

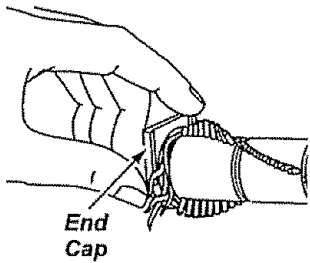
LIGHT -
(used 1time/week)

Clean Agitator

every week

every month

every 2 months

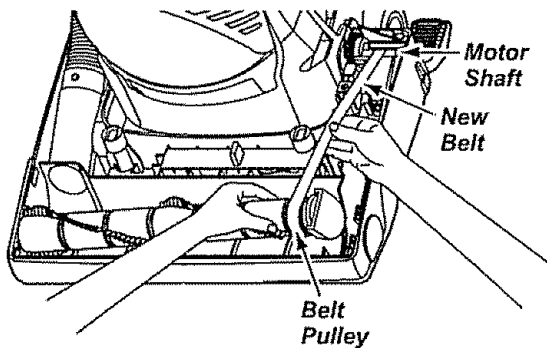


Cut off any carpet pile, hair or lint entangled around the agitator and remove any string or debris located near the end caps.

TO REPLACE BELT:

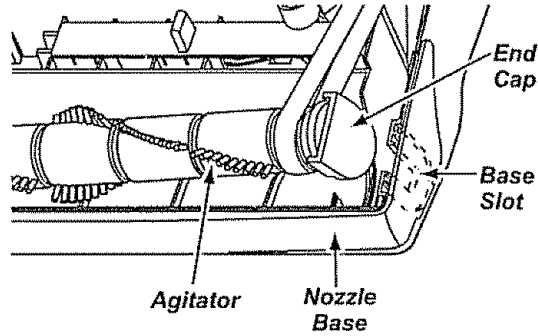
Loop the new belt on the motor shaft.

NOTE: Use Belt #20-5275. In Canada, #20-40096.

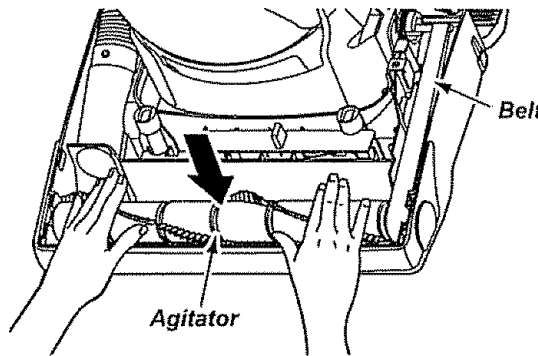


Loop the other end of the belt on the belt pulley on the agitator.

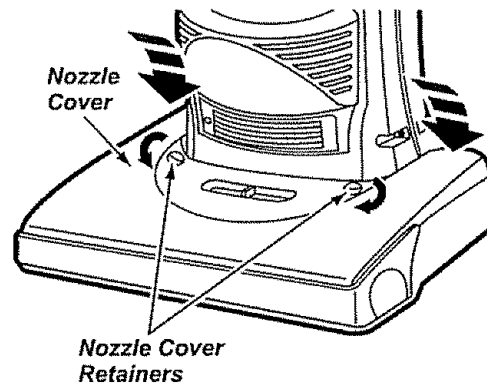
Insert the agitator by placing the rounded portion of the end cap down into the slot in the nozzle base.



Press firmly, checking to see that each end is completely inserted.



Check to see that the belt is centered on the belt pulley and that the agitator turns freely.



Make sure the nozzle cover retainers are in the UNLOCK position. Hook the front of the nozzle cover on to the nozzle base and rotate downward. Once in place, rotate the nozzle cover retainers to the LOCK position.

CLOG REMOVAL



WARNING

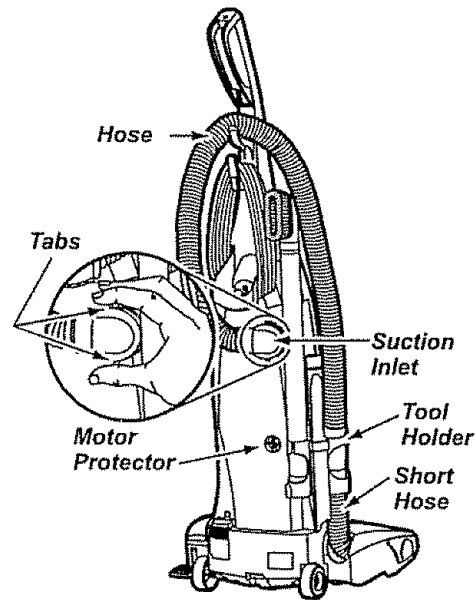
Electrical Shock Or Personal Injury Hazard

Disconnect electrical supply before servicing or cleaning the unit. Failure to do so could result in electrical shock or personal injury from cleaner suddenly starting.

Always follow all safety precautions when cleaning and servicing the vacuum cleaner.

If the cleaner does not seem to have adequate suction, first check if the dust bin is full or if a filter is clogged. See DUST BIN CLEANING and FILTER CLEANING / CHANGING.

If the dust bin and filter areas are free of clogs, check the hose area. Remove the suction inlet by depressing the two tabs that secure it to the back of the vacuum and check for clogging in this area.

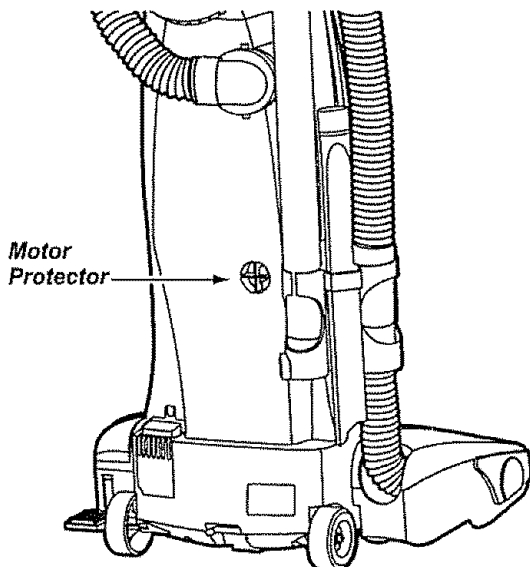


Replace the suction inlet and remove the other end of the hose from the tool holder. Plug in the vacuum and turn it on. While running the vacuum cleaner, stretch the hose in and out to remove the clog. Turn the unit off and unplug the unit.

If the clog still exists, pull the short hose out of the tool holder and inspect the short hose.

Remove any visible clogs.

MOTOR PROTECTOR



This vacuum has a motor protector by-pass valve which automatically opens to provide cooling air to the motor when a clog prevents the normal flow of air. If the by-pass valve opens to prevent motor overheating and possible damage to the vacuum, a change of sound will be noticed as air rushes through the valve opening. If this occurs, turn the vacuum off and unplug the power cord from the outlet. Then check for clogs as described under the CLOG REMOVAL section.

The motor protector by-pass valve may open when using attachments or when cleaning new carpet, due to reduced air flow by the attachments themselves or by new carpet fuzz filling the dust bin quickly.

LIGHT BULB CHANGING

SOME MODELS



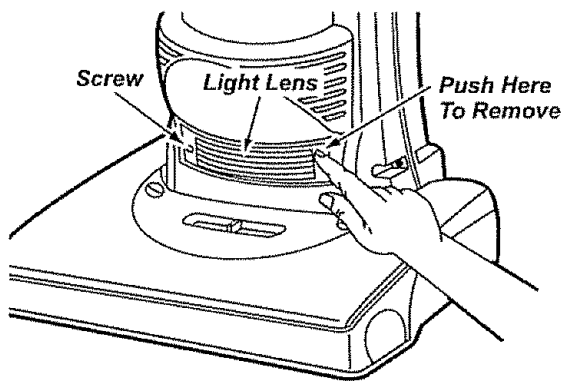
WARNING

Electrical Shock Or Personal Injury Hazard

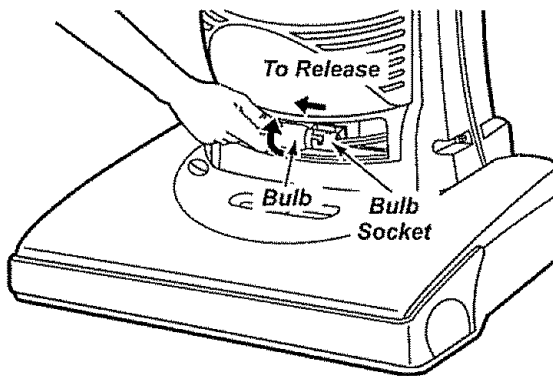
Disconnect electrical supply before servicing or cleaning the unit. Failure to do so could result in electrical shock or personal injury from cleaner suddenly starting.

Disconnect electrical supply.

To access the light bulb, remove the screw which secures the light lens to the vacuum. Remove the lens.

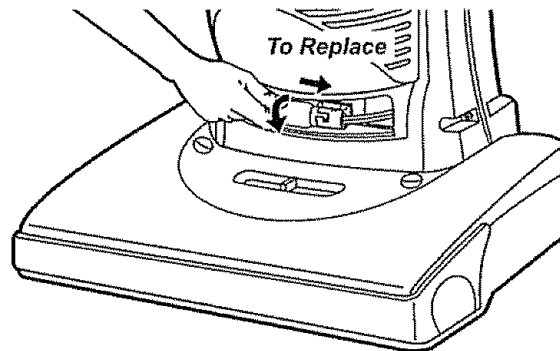


Remove the light bulb by pushing the bulb in while turning counterclockwise to release from the slot. Pull the light bulb straight out.



CAUTION

Do not use a bulb rated over 130 V AC-15 W. During extended use, heat from the bulb could overheat surrounding plastic parts.



To replace the light bulb, carefully insert and turn clockwise to fit securely into slot.

NOTE: Use Bulb #20-5240. In Canada, 20-40600.



CAUTION

Do not plug in or turn on until completely reassembled.

Position the light lens back on the vacuum. Replace the light lens screw.

AGITATOR SERVICING



WARNING

Electrical Shock Or Personal Injury Hazard

Disconnect electrical supply before servicing or cleaning the unit. Failure to do so could result in electrical shock or personal injury from cleaner suddenly starting.

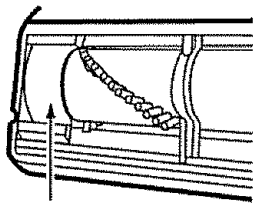
TO REPLACE AGITATOR:

Remove the nozzle cover and agitator. See BELT CHANGING AND AGITATOR CLEANING.

Replace agitator with a new one.

Reassemble the belt, agitator and nozzle cover. See BELT CHANGING AND AGITATOR CLEANING.

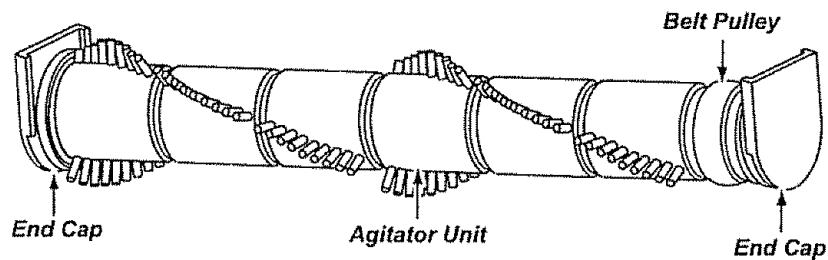
TO CHECK AGITATOR:



Base Belt Guard

Turn the vacuum over to check for worn brushes. When brushes are worn to the level of the base belt guard, replace the agitator.

AGITATOR ASSEMBLY



TROUBLESHOOTING

Review this chart to find do-it-yourself solutions for minor performance problems. Any service needed, other than those described in this owner's manual, should be performed by a Sears authorized service representative.



WARNING Electrical Shock Hazard

Disconnect electrical supply before servicing or cleaning the unit. Failure to do so could result in electrical shock or personal injury.

PROBLEM	POSSIBLE CAUSE	POSSIBLE SOLUTION
Cleaner won't run.	<ol style="list-style-type: none"> 1. Unplugged at wall outlet. 2. Tripped circuit breaker/blown fuse at household service panel 3. On/off switch not turned on. 4. Thermal protector tripped. 	<ol style="list-style-type: none"> 1. Plug in firmly, push on/off switch to on. 2. Reset circuit breaker or replace fuse. 3. Push on/off switch to on. 4. Reset thermal protector, (page 11)
Poor job of dirt pick-up.	<ol style="list-style-type: none"> 1. Full or clogged dust bin. 2. Wrong pile height setting. 3. Worn agitator. 4. Clogged nozzle or dust bin port. 5. Clogged hose. 6. Hole in hose 7. Broken/misplaced belt. 8. Hose not inserted fully. 9. Motor protection system activated. 10. Dirty filters 11. Sliders not rotating. 	<ol style="list-style-type: none"> 1. Clean dust bin, (pages 13, 14). 2. Adjust setting, (page 7). 3. Replace agitator, (page 20). 4. Check CLOG REMOVAL, (page 18). 5. Check for clogs, (page 18) 6. Replace hose. 7. Replace/fix belt, (pages 16, 17). 8. Insert hose fully, (page 6). 9. Check for clogs, (page 18). 10. Clean/change filters, (page 15) 11. Remove obstructions, (page 15).
Cleaner picks up moveable rugs or pushes too hard.	<ol style="list-style-type: none"> 1. Wrong pile height setting. 	<ol style="list-style-type: none"> 1. Adjust setting, (page 7).
Light won't work.	<ol style="list-style-type: none"> 1. Burned out light bulb. 	<ol style="list-style-type: none"> 1. Change light bulb, (page 19).
Agitator does not turn.	<ol style="list-style-type: none"> 1. Broken belt 2. Bare floor selector in bare floor setting. 3. Belt installed incorrectly. 	<ol style="list-style-type: none"> 1. Replace belt, (pages 16, 17). 2. Move selector to the carpet setting, (page 7). 3. Check BELT CHANGING AND AGITATOR CLEANING, (pages 16, 17).
Performance indicator, some models, is red.	<ol style="list-style-type: none"> 1. Full or clogged dust bin. 2. Dirty filters. 3. Clogged airflow passage. 4. Certain attachment tools. 	<ol style="list-style-type: none"> 1. Clean dust bin, (pages 13, 14). 2. Clean/change filters, (page 15) 3. Clear clog from airflow passage, (page 18). 4. This is normal. Light should go off when tool is removed.
Air flow restricted with attachment use. Sound changes.	<ol style="list-style-type: none"> 1. Attachment use restricts air flow. 2. New carpet fuzz clogged air path. 	<ol style="list-style-type: none"> 1. Check ATTACHMENTS, (page 8). 2. Check CLOG REMOVAL and clean hose, (page 18).

Get it fixed, at your home or ours!

For repair of major brand appliances **in your own home . . .**
no matter who made it, no matter who sold it!

1-800-4-MY-HOME[®] Anytime, day or night
(1-800-469-4663) (U.S.A. and Canada)
www.sears.com www.sears.ca

For repair of carry-in products like vacuums, lawn equipment, and electronics, call for the nearest **Sears Parts and Repair Center.**

1-800-488-1222 Anytime, day or night (U.S.A. only)
www.sears.com

For the replacement parts, accessories and owner's manuals that you need to do-it-yourself, call **Sears PartsDirectSM!**

1-800-366-PART 6 a.m. – 11 p.m., 7 days a week
(1-800-366-7278) (U.S.A. only)
www.sears.com/partsdirect

To purchase or inquire about a Sears Service Agreement or Sears Maintenance Agreement:

1-800-827-6655 (U.S.A.) **1-800-361-6665** (Canada)
7 a.m. – 5 p.m., CST, Mon. – Sat. 9 a.m. – 8 p.m. EST, M – F, 4 p.m. Sat.

Para pedir servicio de reparación a domicilio, y para ordenar piezas:
1-888-SU-HOGARSM
(1-888-784-6427)

Au Canada pour service en français:
1-800-LE-FOYER^{MC}
(1-800-533-6937)
www.sears.ca



© Sears, Roebuck and Co.

® Registered Trademark / TM Trademark / SM Service Mark of Sears, Roebuck and Co

® Marca Registrada / TM Marca de Fábrica / SM Marca de Servicio de Sears, Roebuck and Co.

^{MC} Marque de commerce / ^{MD} Marque déposée de Sears, Roebuck and Co.

Free Manuals Download Website

<http://myh66.com>

<http://usermanuals.us>

<http://www.somanuals.com>

<http://www.4manuals.cc>

<http://www.manual-lib.com>

<http://www.404manual.com>

<http://www.luxmanual.com>

<http://aubethermostatmanual.com>

Golf course search by state

<http://golfingnear.com>

Email search by domain

<http://emailbydomain.com>

Auto manuals search

<http://auto.somanuals.com>

TV manuals search

<http://tv.somanuals.com>