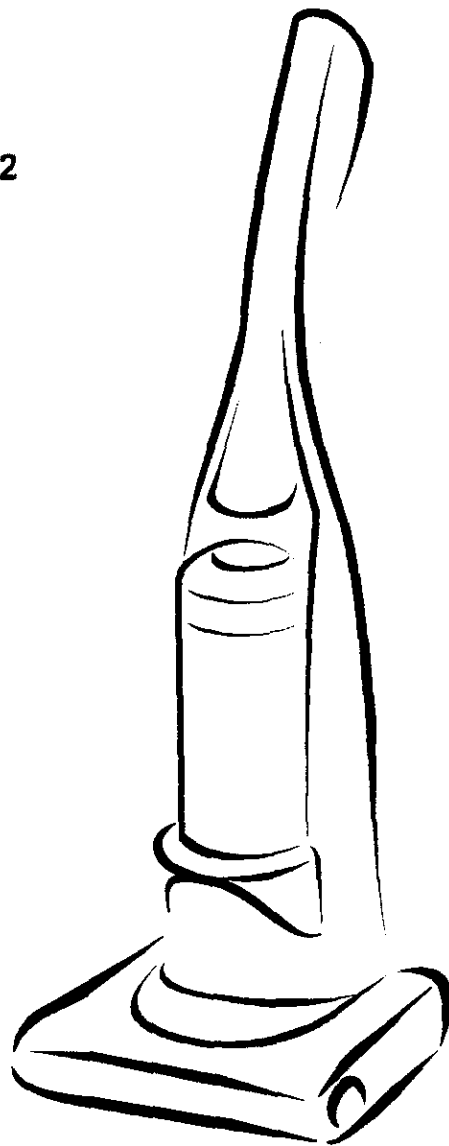


Owner's Manual
Manual Del Propietario



Vacuum Cleaner
Aspiradora

Model , Modelo 116.36722



CAUTION:

Read and follow all safety and operating instructions before first use of this product.

CUIDADO:

Lea y sigue todas las instrucciones de operación y seguridad antes del uso de este producto.

Sears, Roebuck and Co., Hoffman Estates, IL 60179 U.S.A.
www.sears.com

Part No. CØ1ZCUY2ØUØØ - KCØ1ZCUYZØUØ

Impreso en China
Printed in China

ENGLISH

ESPAÑOL

TABLE OF CONTENTS

Before Using Your New Vacuum Cleaner	2	Vacuum Cleaner Care	12
Kenmore Vacuum Cleaner Warranty ...	3	Cleaning Exterior and Attachments	12
Important Safety Instructions	4	Dust Bin Cleaning	13
Parts and Features	5	Dust Bin Assembly	14
Assembly Instructions	6-7	Dust Bin Filter Changing/Cleaning	15
Operating Instructions	7	Primary Filter Replacement	15
How To Start	7	Secondary Filter Cleaning	16
Pile Height Selection and Setting	8	Filter Changing/Cleaning	17
Releasing the Handle	8	Belt Changing and Agitator Cleaning ..	18-20
ON/OFF Switch	8	Clog Removal	21
Attachments	9	Light Bulb Changing	22
Attachment Use Chart	10	Agitator Servicing	23
Vacuuming Tips	10	Troubleshooting	24
Performance Features	11	Requesting Assistance	
		Or Service	Back Page

BEFORE USING YOUR NEW VACUUM CLEANER

Please read this guide. It will help you assemble and operate your new Kenmore vacuum cleaner in the safest and most effective way.

For more information about vacuum cleaner care and operation, call your nearest Sears store. You will need the complete model and serial numbers when requesting information. Your vacuum cleaner's model and serial numbers are located on the Model and Serial Number Plate.

Use the space below to record the model number and serial number of your new Kenmore vacuum cleaner.

Model No. _____

Serial No. _____

Date of Purchase _____

Keep this book and your sales check (receipt) in a safe place for future reference.

KENMORE VACUUM CLEANER WARRANTY

One Year Limited Warranty

When assembled, operated and maintained according to all instructions supplied with the product, if this vacuum cleaner fails due to a defect in material or workmanship within one year from the date of purchase, return it to any Sears store, Sears Parts & Repair Center or other Kenmore outlet for free repair.

If this vacuum cleaner is used for other than private family purposes, this warranty applies for only 90 days from the date of purchase.

This warranty covers only defects in material and workmanship. Sears will NOT pay for:

1. Expendable items that can wear out from normal use, including but not limited to filters, belts, light bulbs, and bags.
2. A service technician to instruct the user in correct product assembly, operation or maintenance.
3. A service technician to clean or maintain this product.
4. Damage to or failure of this product if it is not assembled, operated or maintained according to all instructions supplied with the product.
5. Damage to or failure of this product resulting from accident, abuse, misuse or use for other than its intended purpose.
6. Damage to or failure of this product caused by the use of detergents, cleaners, chemicals or utensils other than those recommended in all instructions supplied with the product.
7. Damage to or failure of parts or systems resulting from unauthorized modifications made to this product.

Disclaimer of implied warranties; limitation of remedies

Customer's sole and exclusive remedy under this limited warranty shall be product repair as provided herein. Implied warranties, including warranties of merchantability or fitness for a particular purpose, are limited to one year or the shortest period allowed by law. Sears shall not be liable for incidental or consequential damages. Some states and provinces do not allow the exclusion or limitation of incidental or consequential damages, or limitations on the duration of implied warranties of merchantability or fitness, so these exclusions or limitations may not apply to you.

This warranty applies only while this vacuum cleaner is used in the United States and Canada.

This warranty gives you specific legal rights, and you may also have other rights which vary from state to state.

Sears, Roebuck and Co., Hoffman Estates, IL 60179
Sears Canada Inc., Toronto, Ontario, Canada M5B 2B8

ENGLISH

IMPORTANT SAFETY INSTRUCTIONS

WARNING

Your safety is important to us. To reduce the risk of fire, electrical shock, injury to persons or damage when using your vacuum cleaner, follow basic safety precautions including the following:

Read all instructions in this manual before assembling or using your vacuum cleaner.

Use your vacuum cleaner only as described in this manual. Use only with Sears recommended attachments.

Disconnect electrical supply before servicing or cleaning out the brush area. Failure to do so could result in the brush unexpectedly starting, causing personal injury from moving parts.

Do not leave vacuum cleaner when plugged in. Unplug from outlet when not in use and before servicing.

To reduce the risk of electrical shock - Do not use outdoors or on wet surfaces.

Do not allow to be used as a toy. Close attention is necessary when used by or near children.

Do not use with a damaged cord or plug. If vacuum cleaner is not working as it should, has been dropped, damaged, left outdoors, or dropped in water, return it to a Sears Service Center.

Do not pull or carry by cord, use cord as a handle, close a door on cord, or pull cord around sharp edges or corners. Do not run vacuum cleaner over cord. Keep cord away from heated surfaces.

Do not unplug by pulling on cord. To unplug, grasp the plug, not the cord.

Do not handle plug or vacuum cleaner with wet hands.

Do not put any objects into openings.

Do not use with any opening blocked; keep free of dust, lint, hair, and anything that may reduce air flow.

Keep hair, loose clothing, fingers, and all parts of body away from openings and moving parts.

Turn off all controls before unplugging.

Use extra care when cleaning on stairs. Do not put on chairs, tables, etc. Keep on floor.

Do not use vacuum cleaner to pick up flammable or combustible liquids (gasoline, cleaning fluid, perfumes, etc.), or use in areas where they may be present. The fumes from these substances can create a fire hazard or explosion.

Do not pick up anything that is burning or smoking, such as cigarettes, matches, or hot ashes.

Do not use vacuum cleaner without dust bin and/or filters in place.

Always clean the dust bin after vacuuming carpet cleaners or freshener, powders, and fine dust. These products clog the filters, reduce airflow and can cause damage to the vacuum cleaner. Failure to clean the dust bin could cause permanent damage to the vacuum cleaner.

Do not use the vacuum cleaner to pick up sharp hard objects, small toys, pins, paper clips, etc. They may damage the vacuum cleaner or dust bin.

Unplug before connecting Handi-mate Jr. (if applicable).

You are responsible for making sure that your vacuum cleaner is not used by anyone unable to operate it properly.

SAVE THESE INSTRUCTIONS

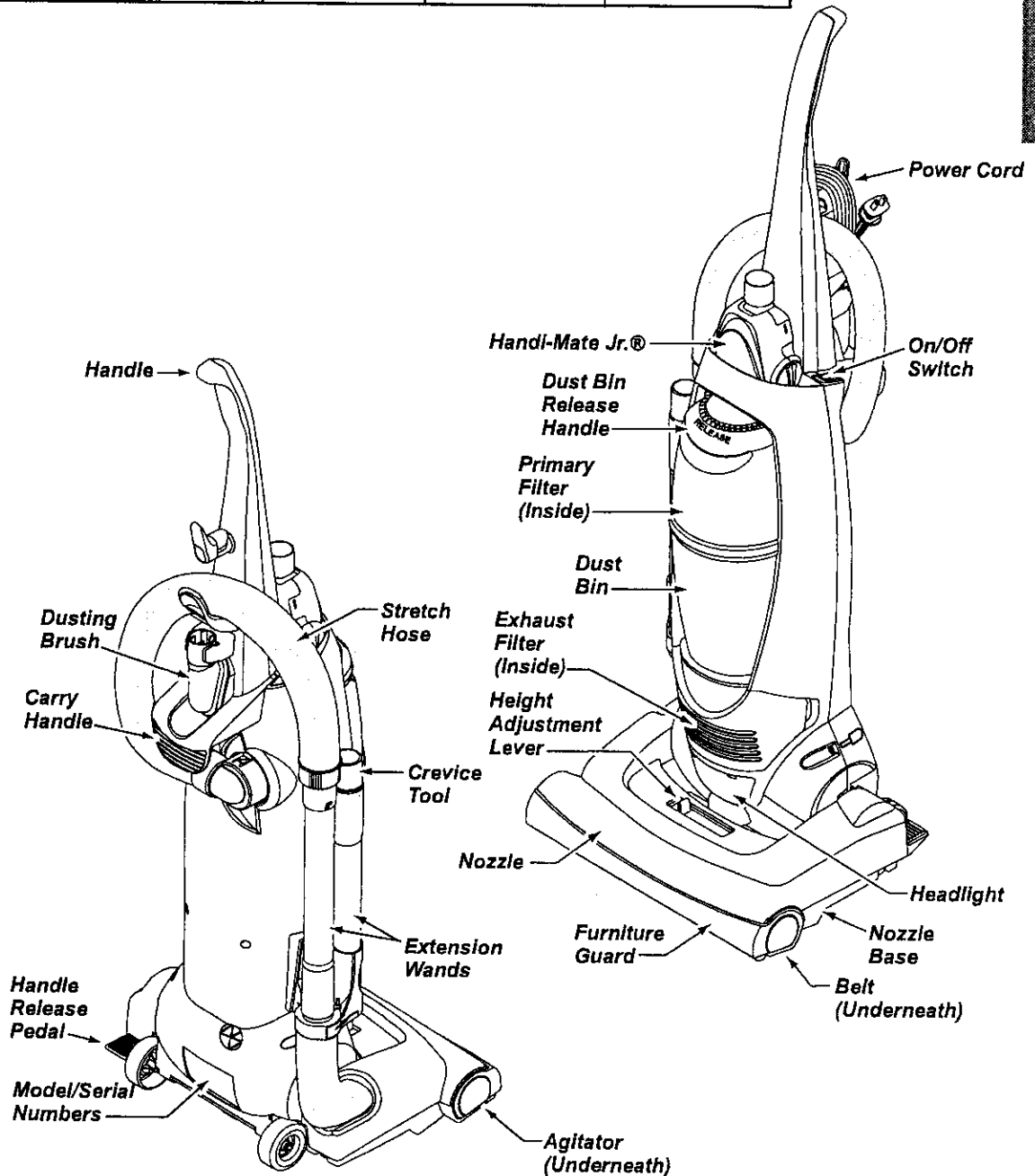
Proper assembly and safe use of your vacuum cleaner are your responsibilities. Your vacuum cleaner is intended for **Household use**. Read this Owner's Manual carefully for important use and safety information. This guide contains safety statements under warning and caution symbols.

PARTS AND FEATURES

It is important to know your vacuum cleaner's parts and features to assure its proper and safe use. Review these before using your vacuum cleaner.

Object	Style No.	Part No. in USA	Part No. in Canada
Exhaust Filter	EF-2	20-86880	20-40320
Primary Filter	DCF-1	20-82720	20-40319
Headlight Bulb	-----	20-5248	-----
Belt	UB-1	20-5275	20-40096

ENGLISH





Please pay special attention to these hazard alert boxes, and follow any instructions given. **WARNING** statements alert you to such dangers as fire, electric shock, burns and personal injury. **CAUTION** statements alert you to such dangers as personal injury and/or property damage.

ASSEMBLY INSTRUCTIONS

WARNING

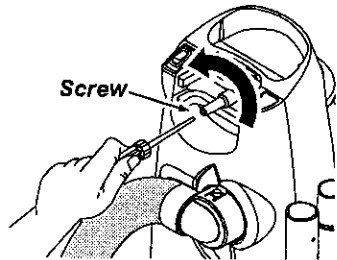
Electrical Shock Hazard

Do not plug into the electrical supply until the assembly is complete. Failure to do so could result in electrical shock or injury.

Before assembling vacuum cleaner, check the PACKING LIST on the cover of the separate Repair Parts List. Use this list to verify that you have received all the components of your new Kenmore vacuum cleaner.

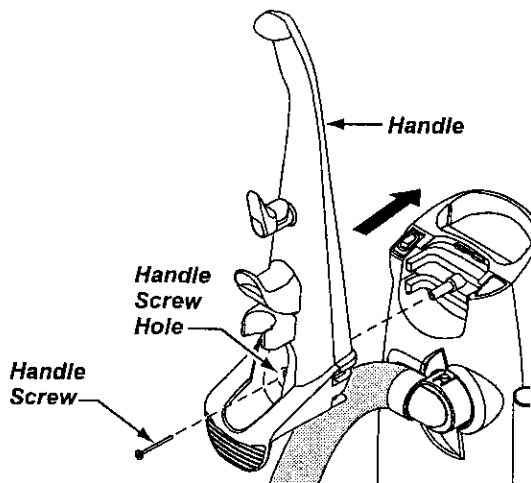
HANDLE

Remove the screw located just below the top edge of the back of the vacuum cleaner.

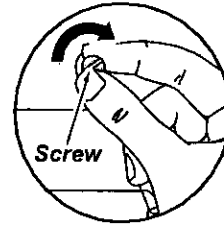


Slide the handle into the opening at the top of the vacuum cleaner.

Insert the screw so it passes through the handle into the vacuum cleaner.



Begin to tighten the screw with your fingers. It may be necessary to adjust the handle slightly.



Using a screwdriver, tighten the screw.

CAUTION

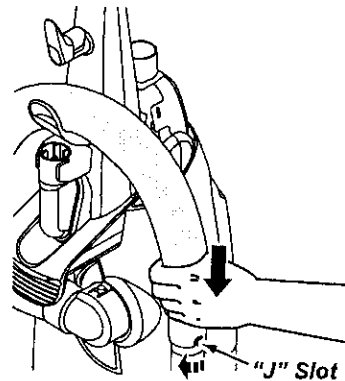
Do not overtighten.

Overtightening could strip the screw holes.

Do not operate the vacuum cleaner without the screw in place.

HOSE

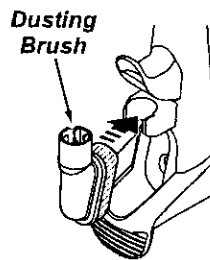
Loop the hose over handle and align "J" slots in hose with tabs on the extension wand. Push the hose onto the wand and twist to lock in place.



ATTACHMENTS

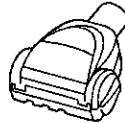
DUSTING BRUSH

Place the dusting brush into the back of the handle in the storage location as shown.



HANDI-MATE JR.®

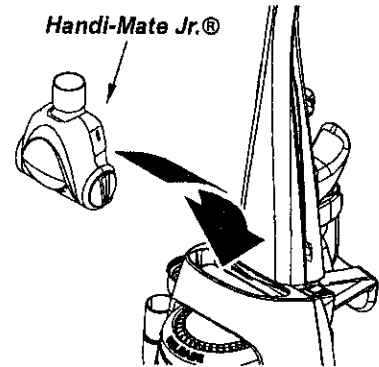
For operation of Handi-Mate Jr.® see separate owners manual.



TO INSERT HANDI-MATE JR.®

Place Handi-Mate Jr.® into the storage compartment.

Push the Handi-Mate Jr.® down until it snaps into place.



TO REMOVE HANDI-MATE JR.®

Pull Handi-Mate Jr.® out of the storage compartment.

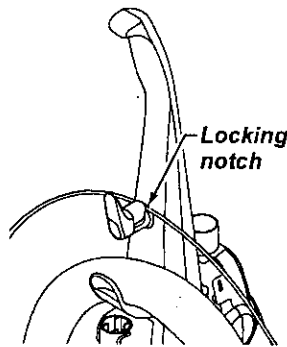
ENGLISH

OPERATING INSTRUCTIONS

HOW TO START

Push the power cord into the cord locking notch on the back of the handle.

Plug the polarized power cord into a 120 Volt outlet located near the floor.



Note: To reduce the risk of electric shock, this vacuum cleaner has a polarized plug, one blade is wider than the other.

This plug will fit in a polarized outlet only one way. If the plug does not fit fully in the outlet, reverse the plug. If it still does not fit, contact a qualified electrician to install the proper outlet. Do not change the plug in any way.

⚠ WARNING

Personal Injury and Product Damage Hazard

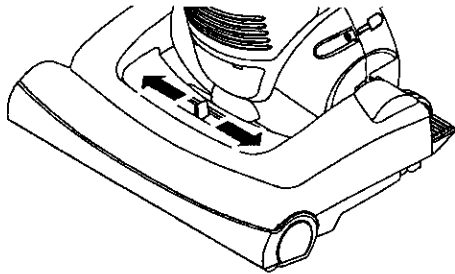
- DO NOT plug in if switch is in the ON position. Personal injury or damage could result.
- DO NOT use outlets above counters. Damage from cord to items in surrounding area could occur.

PILE HEIGHT SELECTION AND SETTING

To select a pile height setting:

Turn off vacuum cleaner. Select a pile height setting by tilting the vacuum cleaner back until front wheels are lifted slightly off the floor as illustrated.

Slide the adjustment lever to the correct setting.



SUGGESTED PILE HEIGHT SETTINGS

You may need to raise the height to make some jobs easier, such as scatter rugs and longer pile carpets. Suggested settings are:

HIGH: shag carpet, long pile, plush, scatter rugs.

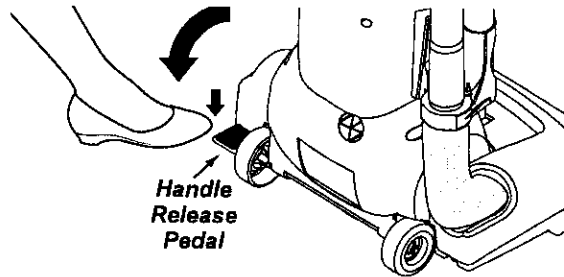
MED: medium to long pile.

LOW: short to medium pile.

BARE FLOOR: very low pile.

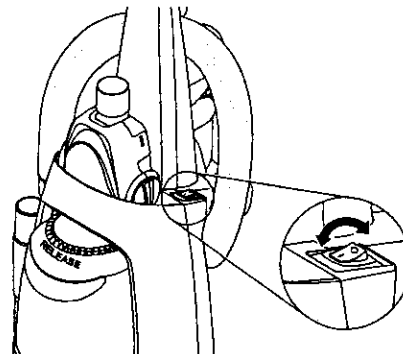
RELEASING THE HANDLE

Release the handle by pressing down on the handle release pedal with your foot and pulling back and down on the handle with your hand.

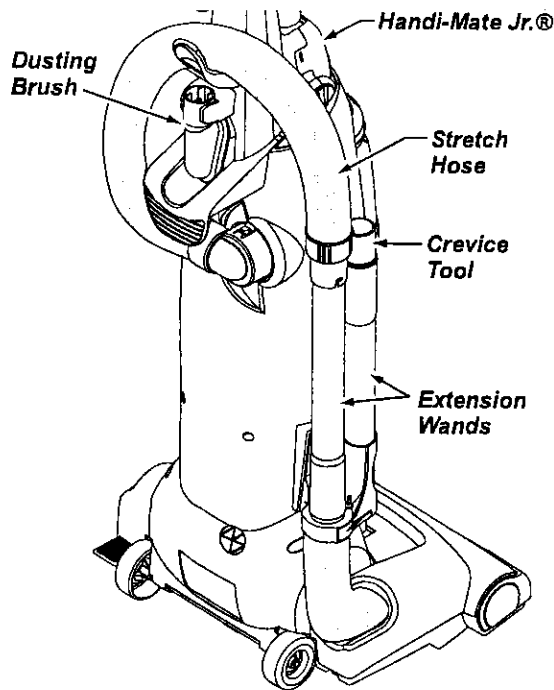


ON/OFF SWITCH

To start the vacuum cleaner, push the On/Off switch from the OFF position to the ON position. To stop the vacuum cleaner, push the On/Off switch to the OFF position.



ATTACHMENTS



Identify each of the attachments shown above.

CAUTION

When using attachments, be careful not to overextend the stretch hose when reaching. Trying to reach beyond the hose stretch capability could cause the vacuum cleaner to tip over.

CAUTION

Attachments used in dirty areas, such as under refrigerator, should not be used on other surfaces until they are washed. They could leave marks.

WARNING

Electrical Shock And Personal Injury Hazard

Disconnect electrical supply before servicing or cleaning the vacuum cleaner. Failure to do so could result in electrical shock or personal injury from vacuum cleaner suddenly starting.

TO USE ATTACHMENTS

Remove the lower end of the stretch hose from the vacuum cleaner by grasping the hose collar, twisting and pulling straight out. The attachments can now be added to the hose.

Note: The motor protector may open when using attachments or when cleaning new carpet, due to reduced airflow by the attachments themselves or by new carpet fuzz filling the dust bin quickly. See the **TROUBLESHOOTING** section.

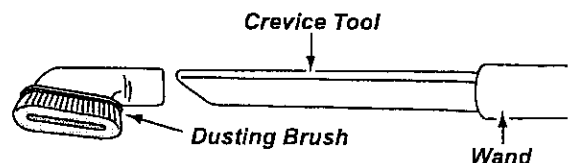
The attachments will fit on the hose or the wand. In addition, the dusting brush will also fit on the crevice tool.

The hose can be pulled off the wand by grasping the cuff and twisting while pulling up.

The attachments can be added to the hose if the item to be cleaned is not far from the vacuum cleaner.

NOTE: When vacuum cleaner is turned on, the hose will have a tendency to collapse due to suction of the vacuum cleaner.

If more reach is needed:



An extra wand, without tabs, is included. This extra wand can be added to the wand with tabs for extra reach. Insert wand and twist a quarter of a turn to secure fit.




If the dusting brush/combination brush is being used and more reach is needed, the crevice tool can be added to the wand, then the dusting brush can be added to the crevice tool.

TO STORE ATTACHMENTS

Return the hose to its position on the wand and the attachments to their holders.

ENGLISH

ATTACHMENT USE CHART

CLEANING AREA						
ATTACHMENT		Furniture*	Between Cushions*	Drapes*	Stairs	Walls
Dusting Brush 		✓		✓		✓
Crevice Tool 		✓	✓		✓	
Handi-Mate Jr.® 		✓			✓	

*Always clean attachments before using on fabrics.

VACUUMING TIPS

Carpet edges

Guide either side or the front of the nozzle along a baseboard. The full width agitator brushes help remove dirt at carpet edges.

Stairs

Put handle in full upright position. Use the crevice tool or fabric brush. Set the On/Off switch to ON.



WARNING

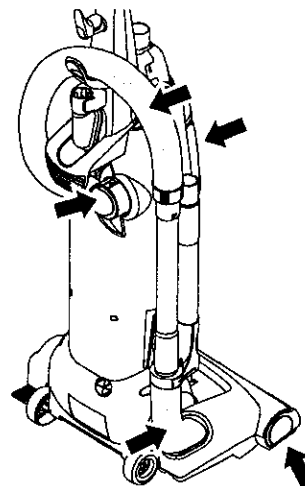
Personal Injury Hazard

Use care if vacuum cleaner is placed on stairs. If it falls, personal injury or property damage could result.

For best cleaning results, keep the airflow passage clear.

Occasionally, check each of the areas indicated for clogs.

Unplug the vacuum cleaner from the outlet before checking.



PERFORMANCE FEATURES

MOTOR PROTECTION SYSTEM

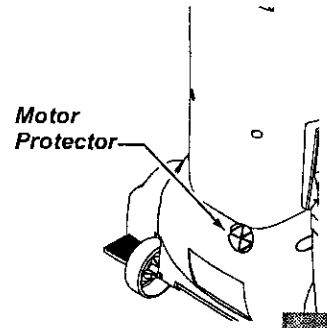
Thermal Protector

This vacuum cleaner has a thermal protector which automatically trips to protect the vacuum cleaner from overheating. If a clog prevents the normal flow of air to the motor, the thermal protector turns the motor off automatically to allow the motor to cool in order to prevent possible damage to the vacuum cleaner.

To correct problem: If this occurs, turn the vacuum cleaner off and unplug the power cord from the outlet to allow the vacuum cleaner to cool and the thermal protector to reset. **Check for and remove clogs, if necessary. Also check and clean/replace any clogged filters. Wait approximately thirty (30) minutes and plug the vacuum cleaner in and turn back on to see if the motor protector has reset. The motor protector will not reset if the vacuum cleaner is not turned off even if the vacuum cleaner has cooled down.**

Motor Protector

This vacuum cleaner has a motor protector by-pass valve which automatically opens to provide cooling air to the motor when a clog prevents the normal flow of air to the motor. If the by-pass valve opens to prevent motor overheating and possible damage to the vacuum cleaner, you will notice a change of sound as air rushes through the valve opening.



ENGLISH

Note: Do not block motor protector.

To correct problem: See the **TROUBLESHOOTING** chart.

Note: The motor protector may open when using attachments or when cleaning new carpet, due to reduced airflow by the attachments themselves or by new carpet fuzz filling the dust bin quickly. See the **TROUBLESHOOTING** section.

VACUUM CLEANER CARE

Always follow all safety precautions when cleaning and servicing the vacuum cleaner.

WARNING

Electrical Shock And Personal Injury Hazard

Disconnect electrical supply before servicing or cleaning the vacuum cleaner. Failure to do so could result in electrical shock or personal injury from vacuum cleaner suddenly starting.

CLEANING EXTERIOR AND ATTACHMENTS

Unplug cord from wall outlet.

Clean exterior using a clean, soft cloth that has been dipped in a solution of mild liquid detergent and water, then wrung dry. Wipe dry after cleaning. **DO NOT** drip water on vacuum cleaner.

Wash attachments in warm soapy water, rinse and air dry. **Do not clean in dishwasher.**

CAUTION

Do not use attachments if they are wet. Attachments used in dirty areas, such as under a refrigerator, should not be used on other surfaces until they are washed. They could leave marks.

DUST BIN CLEANING

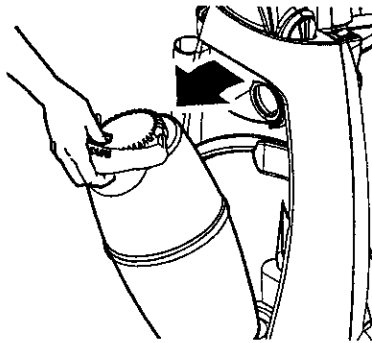
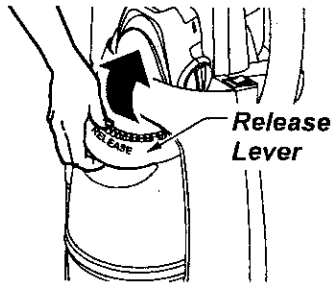
CAUTION

Electrical Shock And Personal Injury Hazard

Always unplug power cord from electrical outlet before performing any service on vacuum cleaner.

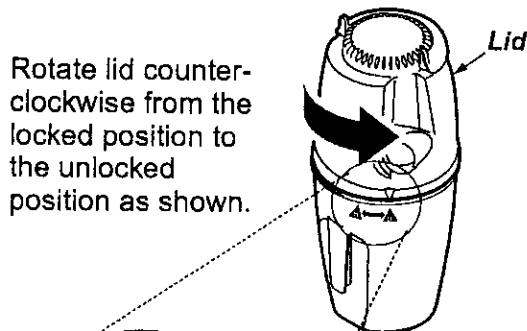
TO REMOVE DUST BIN

Remove dust bin assembly from vacuum cleaner by lifting the release lever as shown.

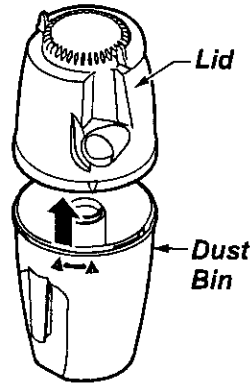


TO EMPTY DUST BIN

Hold dust bin over a trash container.

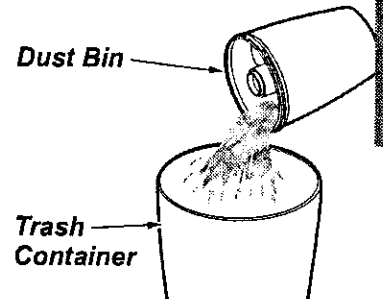


Rotate lid counter-clockwise from the locked position to the unlocked position as shown.



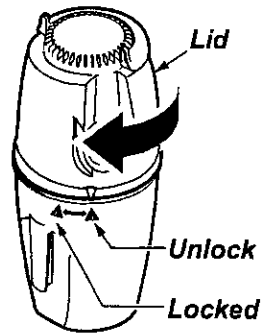
Separate the lid from the dust bin by lifting it straight off.

Empty contents into a trash container.



ENGLISH

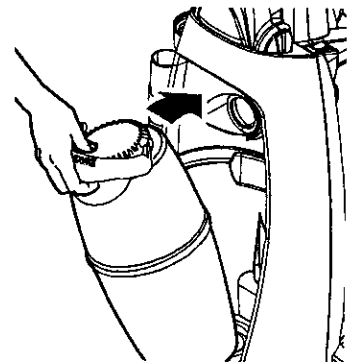
TO REPLACE DUST BIN LID



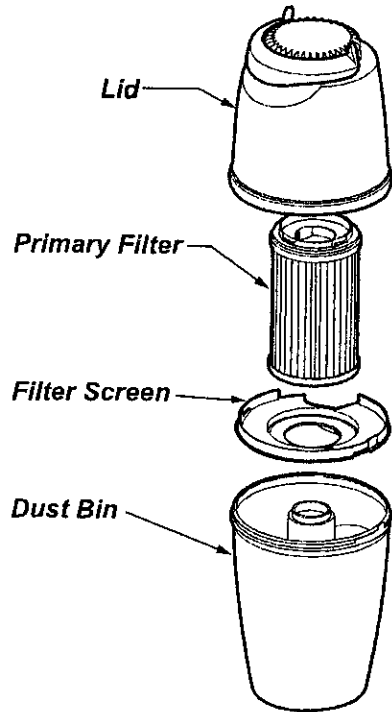
Place dust bin lid assembly back onto top of dust bin. Align marks with bin marks as shown. Rotate lid clockwise while pressing downward so that marks align as shown.

TO REPLACE DUST BIN

First align base of dust bin with the vacuum cleaner. Then rotate dust bin in place making sure dust bin is securely latched.



DUST BIN ASSEMBLY



Lid

The Lid houses the filter.

Primary Filter

Filter traps dirt and debris that is picked up by the suction motor.

Filter Screen

The filter screen traps larger particles of dirt and debris from reaching the filter.

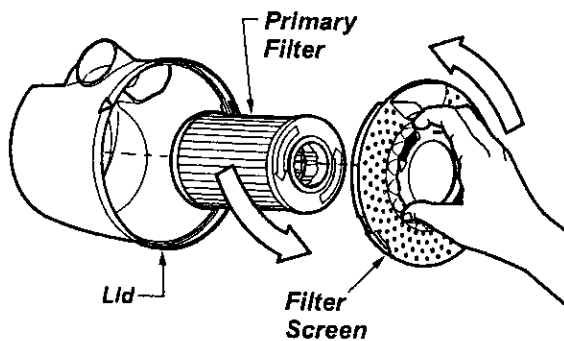
Dust Bin

Captures dirt and debris picked up from the suction motor.

DUST BIN FILTER CHANGING / CLEANING

Check primary filter frequently and clean when dirty. Remove the dust bin assembly as outlined in the **DUST BIN CLEANING** section and empty contents of dust bin.

Make sure dust bin is empty before filter is removed. Grasp filter screen, rotate counter-clockwise and lift out.



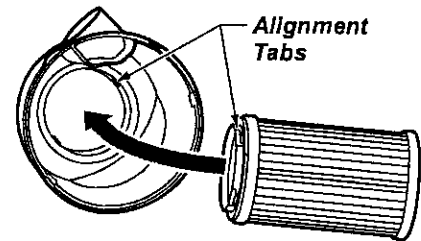
Grasp primary filter, rotate counter-clockwise and lift out. Clean primary filter by gently tapping over a trash container.

The filter may be cleaned by tapping it on a firm surface. Tap on several sides to ensure best cleaning.

Every 6 months rinse filter exterior with water under a faucet. Once the filter is rinsed clean, dry with a cloth and let air dry for 24 hours.

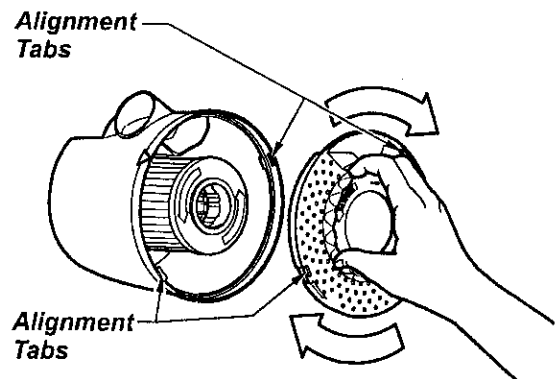
Rinse with water only, do not use detergent or soap. **Allow filter to dry 24 hours before putting it back into the dust bin.** When the cleaning of the filter no longer restores vacuum cleaner suction to full power you need to replace the filter.

Before replacing the primary filter it is a good idea to clean the inside of the dust bin and lid area.



Rotate filter clockwise until slots lock onto tabs in lid.

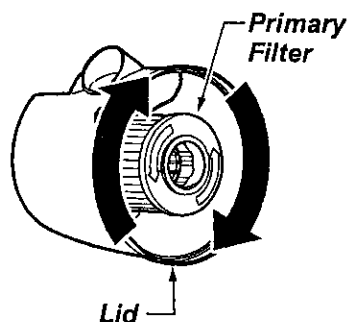
To re-install the filter screen, align tabs on filter screen with tabs on lid.



Rotate filter screen clockwise to lock in place.

ENGLISH

PRIMARY FILTER REPLACEMENT



Before replacing the filter it is a good idea to clean the inside of the dust bin and lid area.

Rotate filter clockwise until slots lock onto tabs in lid.

NOTE: Under normal use and care, your filter can be expected to last up to 3 years.

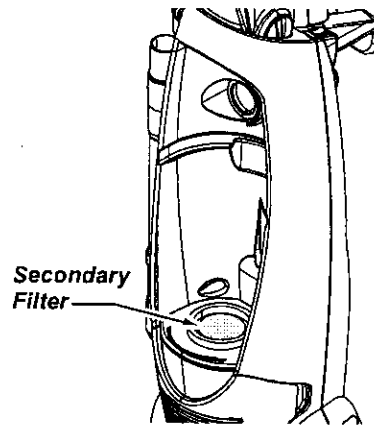
NOTE: See Parts and Features for Filter number.

SECONDARY FILTER CLEANING

The secondary filter screen protects the motor.

Always check filter screen when cleaning dust bin.

If dirty or clogged, remove debris from filter screen.



FILTER CHANGING/CLEANING



WARNING

Electrical Shock Hazard

Unplug power cord from electrical outlet. Do not operate the vacuum cleaner without the primary or exhaust filters. Be sure the filters are properly installed to prevent motor failure and/or electrical shock.

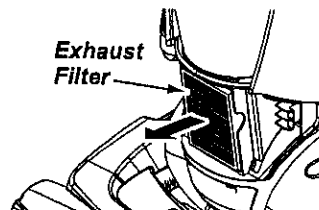
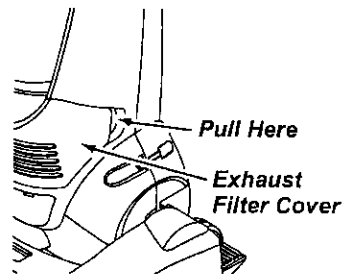
EXHAUST FILTER

The exhaust filter must be replaced when dirty. It should be replaced regularly depending on use conditions.

The filter **CANNOT** be washed as it will lose its dust trapping ability.

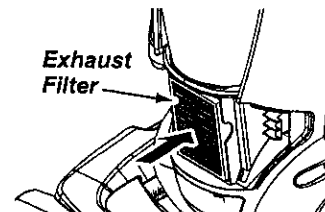
NOTE: See **PARTS AND FEATURES** for the exhaust filter number.

Pull out on both sides of the exhaust filter cover, and pull out to remove from vacuum cleaner.



Remove the exhaust filter cartridge.

Push only on filter cartridge frame, not on filter material itself.



Replace the exhaust filter cover by placing tabs in slots and pushing in until cover snaps into place.

ENGLISH

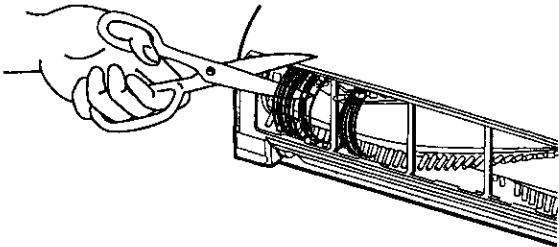
BELT CHANGING AND AGITATOR CLEANING

! WARNING

Electrical Shock Or Personal Injury Hazard

Disconnect electrical supply before servicing or cleaning the vacuum cleaner. Failure to do so could result in electrical shock or personal injury from vacuum cleaner suddenly starting.

CLEANING AGITATOR



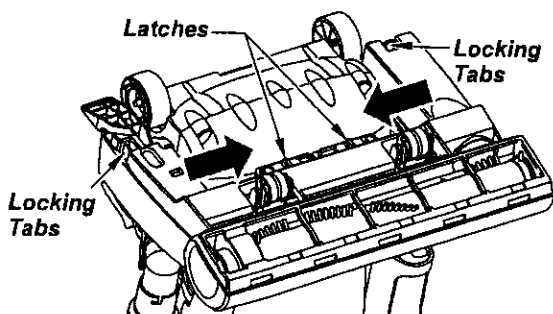
To clean agitator turn vacuum cleaner over, cut off any carpet pile and lint entangled around agitator with a pair of scissors as shown.

Frequently check and remove hair, string and lint build-up in the brush area. If build-up becomes excessive, follow the steps below.

TO REMOVE BELT

Disconnect power cord from electrical outlet, and place on paper to protect the floor surface. Place vacuum cleaner in the full upright position.

Turn the vacuum cleaner over so the agitator and base plate are facing upward.



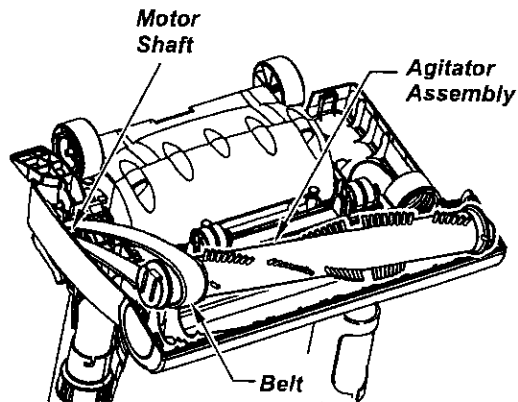
Locate the two latches and the two locking tabs which secure the base plate.

To remove the base plate, press the two latches inward.

Push in on the locking tabs toward the center of the vacuum cleaner.

Rotate the base plate away from the nozzle housing. The sides of the base plate need to be pulled slightly outward to clear the wheels.

The agitator and belt are now exposed. Carefully remove any residue that may exist in the belt area.



If the belt is still attached to the motor shaft, there will be tension on the agitator. If the belt is not broken, remove it from the motor shaft before lifting the agitator.

Carefully lift the one end of the agitator and then lift the other end.

! WARNING

Personal Injury Hazard

Be careful when removing the agitator as the belt tension is high. Failure to do so could result in personal injury from the agitator releasing quickly and snapping away.

TO CLEAN AGITATOR

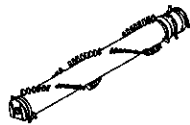
NOTE: In order to keep cleaning efficiency high and to prevent damage to your vacuum cleaner, the agitator must be cleaned every time the belt is changed.

The agitator must also be cleaned according to the following schedule:

<u>Vacuum Cleaner Use</u>	<u>Clean Agitator</u>
HEAVY - (used daily)	every week
MODERATE - (used 2-3 times/week)	every month
LIGHT - (used 1 time/week)	every 2 months

Remove any dirt or debris in the belt path area or in the agitator area.

Agitator Assembly



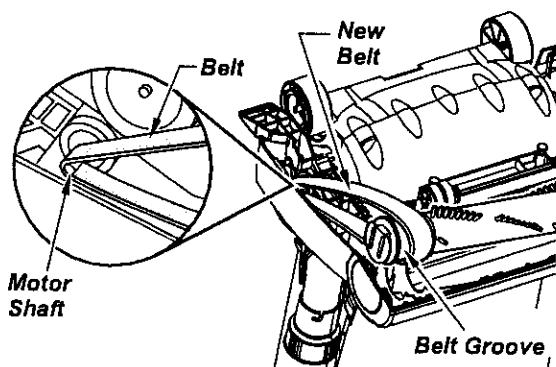
TO REPLACE BELT

NOTE: See **PARTS AND FEATURES** for belt number.

Loop the new belt on the **motor shaft**.

Loop the end of the new belt on the agitator.

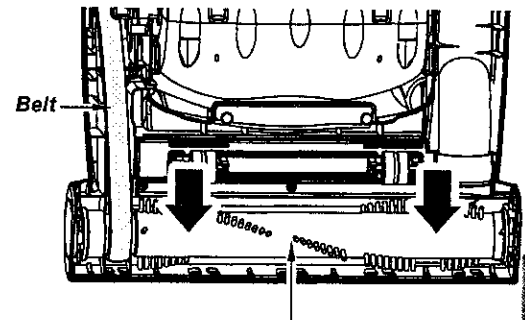
Insert the agitator by placing the rounded portion of the end cap down into the slot in the nozzle base.



NOTE: Care must be taken due to the belt tension during reassembly.

BELT ROUTING

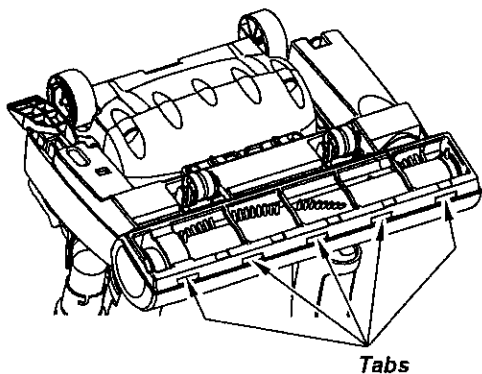
Press firmly, checking to see that each end is completely inserted.



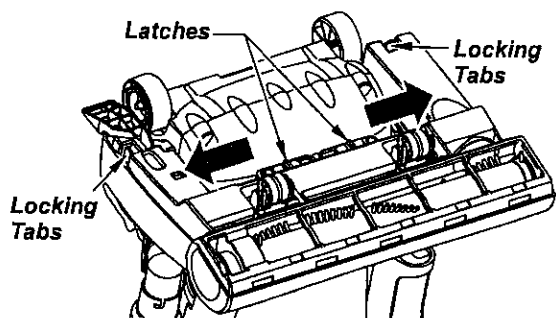
Check to see that the belt is centered in the belt groove. Turn the agitator with your fingers to see that it turns freely.

ENGLISH

To re-attach the base plate, insert the tabs into the slots along the front edge of the base. Place the vacuum cleaner in full upright position. Lower the base plate to its original position.



As the base is lowered the inner areas will brush against the dust compartment wheels.



A gentle pull outward may assist in reassembly.

Press the base plate down until the two locking tabs snap into place.

Slide the right latch to the right and the left latch to the left to secure.

Return the vacuum cleaner to the upright position before plugging into the electrical outlet.

CLOG REMOVAL

Always follow all safety precautions when cleaning and servicing the vacuum cleaner.

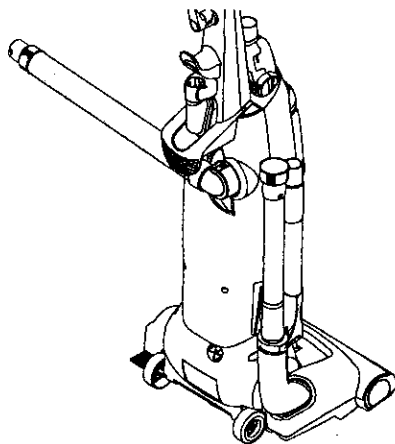
WARNING

Electrical Shock Or Personal Injury Hazard

Disconnect electrical supply before servicing or cleaning the vacuum cleaner. Failure to do so could result in electrical shock or personal injury from vacuum cleaner suddenly starting.

If the vacuum cleaner does not seem to have adequate suction, first check if the dust bin is full or if a filter is clogged. See **DUST BIN CLEANING** and **FILTER CHANGING**.

If the dust bin and filter areas are free of clogs, check the hose area. Remove the lower end of the stretch hose from the vacuum cleaner by grasping the hose collar, twisting, and pulling straight out.



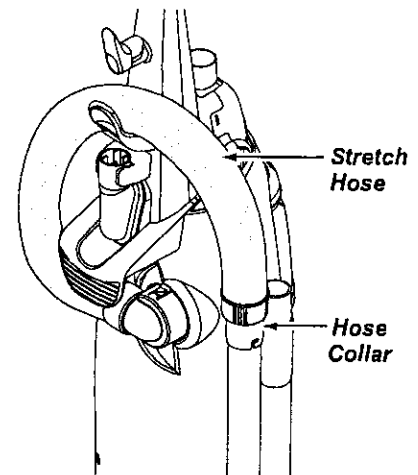
Plug in the vacuum cleaner and turn it on. Stretch the hose to maximum length and then allow the hose to return to its storage length.

Turn the vacuum cleaner off and unplug the vacuum cleaner.

Visually inspect the hose and the base area into which the hose is inserted.

Remove any visible clog.

Reassemble the stretch hose to the extension wand.



If the dust bin and filter areas and the hose areas are free of clogs, check the nozzle area. To check this area, see the section on **BELT CHANGING AND AGITATOR CLEANING**.

WARNING

Personal Injury Hazard

DO NOT place hands or feet underneath the vacuum cleaner at any time. The agitator will be revolving rapidly when the vacuum cleaner is turned on and is in the carpet setting.

Return vacuum cleaner to the upright position before plugging into an electrical outlet.

LIGHT BULB CHANGING

! WARNING

Electrical Shock Or Personal Injury Hazard

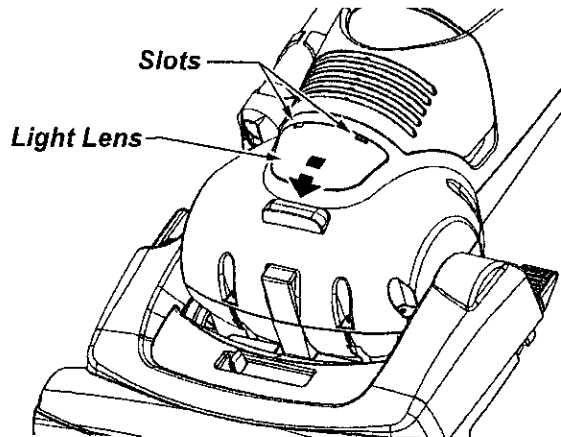
Disconnect electrical supply before servicing or cleaning the vacuum cleaner. Failure to do so could result in electrical shock or personal injury from vacuum cleaner suddenly starting.

! CAUTION

Do not use a bulb rated over 13 V AC-9W. During extended use, heat from the bulb could overheat surrounding plastic parts.

! CAUTION

Do not plug in or turn on until the vacuum cleaner is completely reassembled.



Ensure **ON-OFF** switch is **OFF**.

Disconnect power cord from electrical outlet. Press handle release pedal and rotate the handle down so the vacuum cleaner is laying flat on the floor.

Pry out light lens at slots. Remove old bulb from the socket by pulling from socket.

Replace bulb by pressing into socket. Only use a bulb rated 13 V AC-9 Watts.

Reinstall light lens by snapping into place. Return the vacuum cleaner to the upright position.

AGITATOR SERVICING

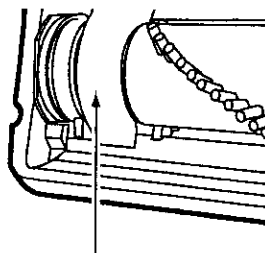


WARNING

Electrical Shock Or Personal Injury Hazard

Disconnect electrical supply before servicing or cleaning the vacuum cleaner. Failure to do so could result in electrical shock or personal injury from vacuum cleaner suddenly starting.

TO CHECK AGITATOR



Base Plate Belt Guard

Turn the vacuum cleaner over to check for worn brushes. When brushes are worn to the level of the base belt guard, replace the agitator.

TO REPLACE AGITATOR

Remove the nozzle cover, agitator cover, and agitator assembly. See **BELT CHANGING AND AGITATOR CLEANING**.

Replace the agitator assembly with a new one.

Reassemble the belt, agitator, agitator cover and nozzle cover. See "To replace belt" in **BELT CHANGING AND AGITATOR CLEANING** section.

ENGLISH

TROUBLESHOOTING

Review this chart to find do-it-yourself solutions for minor performance problems. Any service needed, other than those described in this owner's manual, should be performed by a Sears authorized service representative.

WARNING

Electrical Shock Or Personal Injury Hazard

Disconnect electrical supply before servicing or cleaning the vacuum cleaner. Failure to do so could result in electrical shock or personal injury.

PROBLEM	POSSIBLE CAUSE	POSSIBLE SOLUTION
Vacuum cleaner won't run.	<ol style="list-style-type: none"> 1. Unplugged at wall outlet. 2. Tripped circuit breaker/blown fuse at household service panel. 3. On/off switch not turned on. 4. Thermal protector tripped. 	<ol style="list-style-type: none"> 1. Plug in firmly, push on/off switch to on. 2. Reset circuit breaker or replace fuse. 3. Push on/off switch to on. 4. Reset thermal protector.
Poor job of dirt pick-up.	<ol style="list-style-type: none"> 1. Full or clogged dust bin. 2. Wrong pile height setting. 3. Worn agitator. 4. Clogged nozzle or dust bin port. 5. Clogged hose. 6. Hole in hose. 7. Broken/misplaced belt. 8. Hose not inserted fully. 9. Motor protection system activated. 10. Dirty filters. 	<ol style="list-style-type: none"> 1. Clean dust bin. 2. Adjust setting. 3. Replace agitator. 4. Check CLOG REMOVAL. 5. Check for clogs. 6. Replace hose. 7. Replace/fix belt. 8. Insert hose fully. 9. Check for clogs. 10. Clean/change filters.
Vacuum cleaner picks up moveable rugs or pushes too hard.	<ol style="list-style-type: none"> 1. Wrong pile height setting. 	<ol style="list-style-type: none"> 1. Adjust setting.
Light won't work.	<ol style="list-style-type: none"> 1. Burned out light bulb. 	<ol style="list-style-type: none"> 1. Change light bulb.
Agitator does not turn.	<ol style="list-style-type: none"> 1. Broken belt. 2. Belt installed incorrectly. 	<ol style="list-style-type: none"> 1. Replace belt. 2. Check BELT CHANGING AND AGITATOR CLEANING.
Air flow restricted with attachment use. Sound changes.	<ol style="list-style-type: none"> 1. Attachment use restricts air flow. 2. New carpet fuzz clogged air path. 	<ol style="list-style-type: none"> 1. Check ATTACHMENTS. 2. Check CLOG REMOVAL and clean hose.

Get it fixed, at your home or ours!

Your Home

For repair - **in your home** - of all major brand appliances, lawn and garden equipment, or heating and cooling systems, **no matter who made it, no matter who sold it!**

For the replacement parts, accessories and owner's manuals that you need to do-it-yourself.

For Sears professional installation of home appliances and items like garage door openers and water heaters.

1-800-4-MY-HOME[®] Anytime, day or night
(1-800-469-4663) (U.S.A. and Canada)

www.sears.com

www.sears.ca

Our Home

For repair of carry-in products like vacuums, lawn equipment, and electronics, call or go on-line for the nearest

Sears Parts and Repair Center.

1-800-488-1222 Anytime, day or night (U.S.A. only)

www.sears.com

To purchase a protection agreement (U.S.A.) or maintenance agreement (Canada) on a product serviced by Sears:

1-800-827-6655 (U.S.A.)

1-800-361-6665 (Canada)

Para pedir servicio de reparación a domicilio, y para ordenar piezas:

1-888-SU-HOGAR[®]
(1-888-784-6427)

Au Canada pour service en français:

1-800-LE-FOYER^{MC}
(1-800-533-6937)

www.sears.ca



© Sears, Roebuck and Co.

® Registered Trademark / TM Trademark / SM Service Mark of Sears Brand, LLC

® Marca Registrada / TM Marca de Fábrica / SM Marca de Servicio de Sears Brand, LLC

^{MC} Marque de commerce / ^{MD} Marque déposée de Sears Brands, LLC

Free Manuals Download Website

<http://myh66.com>

<http://usermanuals.us>

<http://www.somanuals.com>

<http://www.4manuals.cc>

<http://www.manual-lib.com>

<http://www.404manual.com>

<http://www.luxmanual.com>

<http://aubethermostatmanual.com>

Golf course search by state

<http://golfingnear.com>

Email search by domain

<http://emailbydomain.com>

Auto manuals search

<http://auto.somanuals.com>

TV manuals search

<http://tv.somanuals.com>