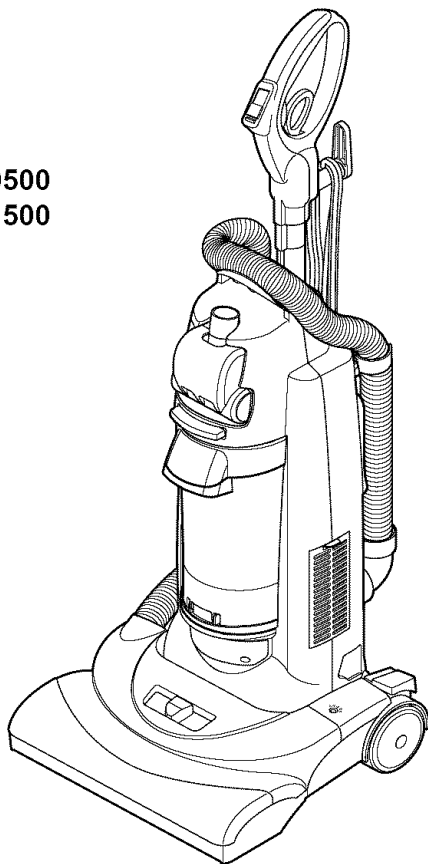


Owner's Manual Manual del Propietario



Vacuum Cleaner Aspiradora

Model, Modelo 721.35820500
721.35821500



ENGLISH

ESPAÑOL

CAUTION: Read and follow all safety and operating instructions before first use of this product.

CUIDADO: Lea y sigue todas las instrucciones de operación y seguridad antes del uso de este producto.

Directions for Use

It is a violation of Federal law to use this product in a manner inconsistent with its labeling.

Direcciones de uso

Es una violación a la ley Federal utilizar este producto de una manera contraria con su etiquetado.

Sears, Roebuck and Co., Hoffman Estates, IL 60179 U.S.A
www.sears.com

PART No.: 3828F13858A

Download from www.Somanuals.com All Manuals Search And Download

TABLE OF CONTENTS

Before Using Your New Vacuum.....	2	Vacuum Cleaner Care	10
Kenmore Vacuum Cleaner Warranty	2	Vacuum Storage	10
Important Safety Instructions.....	3	Dust bin assembly	10
Parts and Features	4	Dust bin cleaning	11
Telescopic Handle Release.....	5	Filters cleaning / changing.....	11
Cord Release.....	5	Replacing headlight bulb	12
Switch Operation	6	Belt Changing and Agitator Cleaning.....	13
Body Release and Positions.....	6	Cleaning exterior.....	15
Recommended Pile Height Settings	6	Removing clogs.....	15
Attachment Use Chart.....	7	Troubleshooting	16
Vacuuming Tips	7	Master Protection Agreements	17
Attachments	7	Service	Back Cover
Performance Features.....	9		

BEFORE USING YOUR NEW VACUUM

Please read this guide. It will help you assemble and operate your new Kenmore vacuum in the safest and most effective way.

For more information about the care and operation, call your nearest Sears store.

You will need the complete model and serial numbers when requesting information.

Your vacuum's model and serial numbers are located on the Model and Serial Number Plate.

Use the space below to record the model number and serial number of your new Kenmore vacuum.

Model No. _____

Serial No. _____

Date of Purchase _____

Keep this book and your sales check (receipt) in a safe place for future reference.

KENMORE VACUUM CLEANER WARRANTY

LIMITED ONE YEAR WARRANTY ON KENMORE VACUUM CLEANER

This warranty is for one year from the date of purchase, and includes only private household vacuum cleaner use. During the warranty year, when this vacuum cleaner is operated and maintained according to the owner's manual instructions, Sears will repair any defects in material or workmanship free of charge.

This warranty excludes vacuum belts, light bulbs, and filters, which are expendable parts and become worn during normal use.

For warranty service, return this vacuum cleaner to the nearest Sears Parts and Repair Center in the United States.

This warranty applies only while this product is in use in the United States.

This warranty gives you specific legal rights, and you may also have other rights which vary from state to state.

Sears, Roebuck and Co., D/817WA, Hoffman Estates, IL 60179

IMPORTANT SAFETY INSTRUCTIONS



WARNING - To reduce the risk of fire, electric shock, or injury:

Your safety is important to us. To reduce the risk of fire, electric shock, injury to persons or damage when using your vacuum cleaner, follow basic safety precautions including the following:

Read this manual before assembling or using your vacuum cleaner.

Use your cleaner only as described in this manual. Use only with supplied attachments.

To reduce the risk of electric shock - **Do not** use outdoors or on wet surfaces.

Disconnect electrical supply before servicing or cleaning out brush area. Failure to do so could result in electric shock or brush suddenly starting.

Always turn cleaner off before connecting or disconnecting the hose.

Always turn cleaner off before unplugging.

Do not unplug by pulling on cord. To unplug, grasp the plug, not the cord.

Do not use with damaged cord or plug. If cleaner is not working as it should, has been dropped, damaged, left outdoors, or dropped into water, return it to a Sears Parts & Retail Center.

Do not pull or carry by cord, use cord as a handle, close door on cord, or pull cord around sharp edges or corners. Do not run cleaner over cord. Keep cord away from heated surfaces.

Do not leave cleaner when plugged in. Unplug from outlet when not in use and before servicing.

Do not allow to be used as a toy. Close attention is necessary when used by or near children.

Do not handle plug or cleaner with wet hands.

Do not put any object into openings.

Do not use with any opening blocked; keep free of dust, lint, hair and anything that may reduce air flow.

Keep hair, loose clothing, fingers, and all parts of body away from openings and moving parts.

Do not use cleaner without dust bin and/or filters in place.

Always clean dust bin after vacuuming carpet cleaners or freshener, powders and fine dust. These products clog the filter, reduce airflow and can cause damage to the cleaner. Failure to clean the dust bin could cause permanent damage to the cleaner.

Do not use the cleaner to pick up sharp hard objects, small toys, pins, paper clips, etc. They may damage the cleaner or dust bin.

Do not pick up anything that is burning or smoking, such as cigarettes, matches, or hot ashes.

Do not use vacuum cleaner to pick up flammable or combustible liquids (gasoline, cleaning fluids, perfumes, etc.), or use in areas where they may be present. The fumes from these substances can create a fire hazard or explosion.

Use extra care when cleaning on stairs. Do not put on chairs, tables, etc. Keep on floor.

You are responsible for making sure that your vacuum cleaner is not used by anyone unable to operate it properly.

ENGLISH

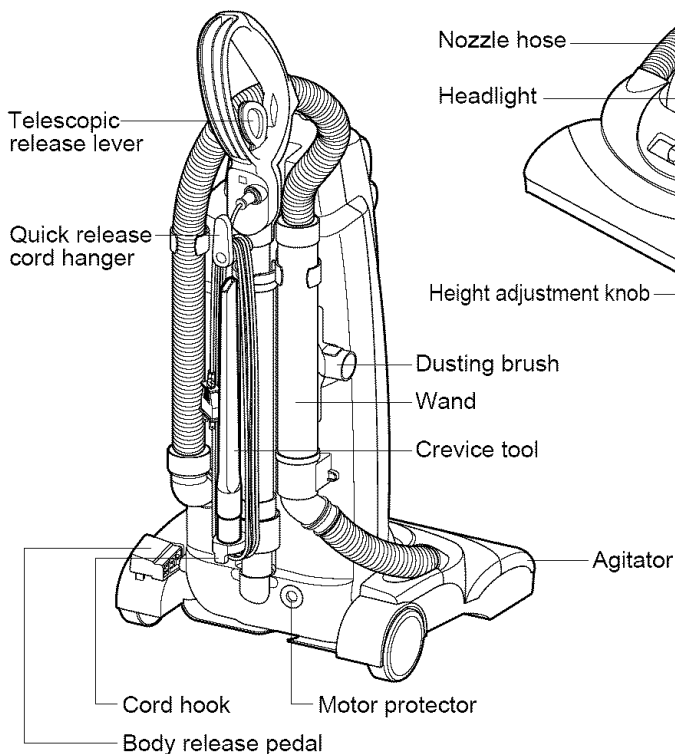
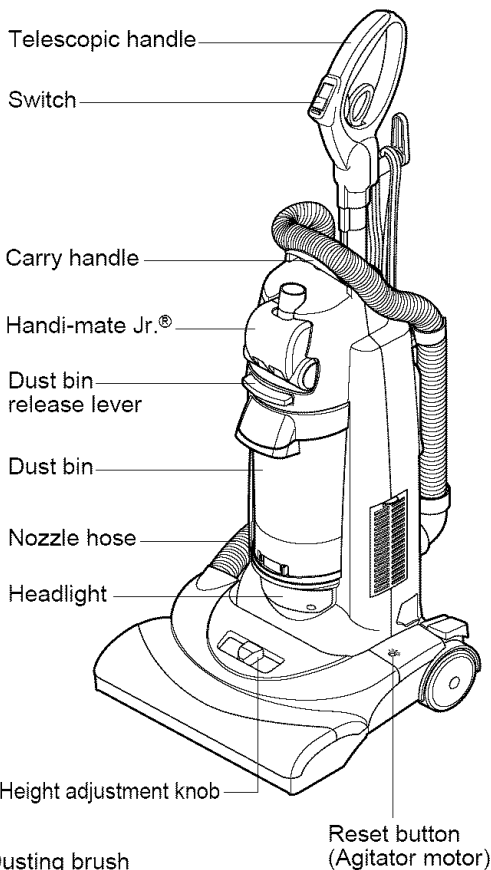
SAVE THESE INSTRUCTIONS

Proper assembly and safe use of your vacuum cleaner are your responsibilities. Your cleaner is intended only for household use. Read this Owner's Manual carefully for important use and safety information. This guide contains safety statements under warning and caution symbols. Please pay special attention to these boxes and follow any instructions given. **WARNING** statements alert you to such hazards as fire, electric shock, burns and serious personal injury. **CAUTION** statements alert you to such hazards as moderate personal injury and/or property damage.

PARTS AND FEATURES

It is important to know your vacuum cleaner's parts and features to assure its proper and safe use. Review these before using your cleaner.

Item	Part No. In U.S.A
Filters	85880
Bulb	5240
Belt	5282

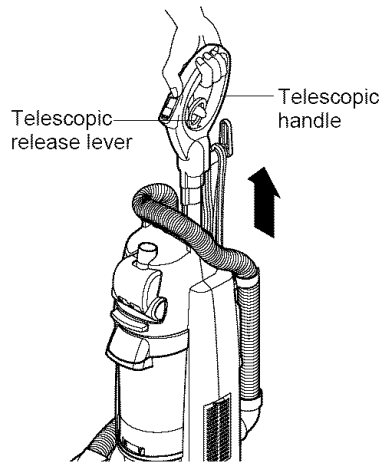


TELESCOPIC HANDLE RELEASE

Release the telescopic handle by pulling telescopic release lever up with fingers and pulling up the telescopic handle.

To lower the telescopic handle pull the telescopic release lever up with fingers and push down on the telescopic handle.

Note : For your convenience, adjust telescopic handle height properly to your height.



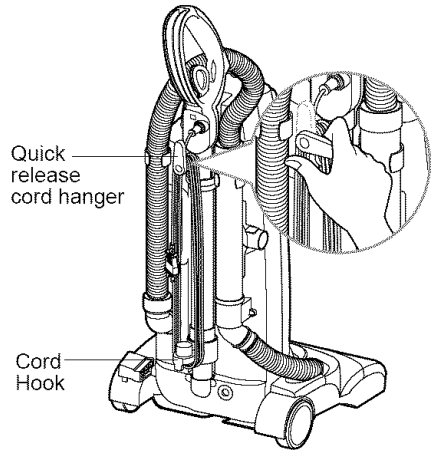
ENGLISH

CORD RELEASE

Turn the quick release cord hanger to either side to release the power cord.

To store the power cord, wrap the power cord around the quick release cord hanger and hook, and clip the plug onto the power cord.

Note : To reduce the risk of electric shock, this vacuum cleaner has a polarized plug, one blade is wider than the other. This plug will fit in a polarized outlet only one way. If the plug does not fit fully in the outlet, reverse the plug. If it still does not fit, contact a qualified electrician to install the proper outlet. Do not change the plug in any way.



SWITCH OPERATION

Switch operation

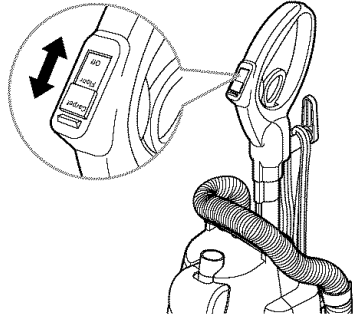
- Off
- Floor: Agitator off
- Carpet: Agitator on



WARNING

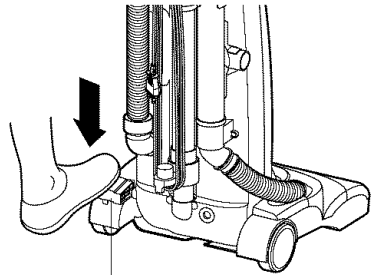
Personal injury hazard

To avoid personal injury, do not turn switch On/Off if the vacuum or your hand is wet.



BODY RELEASE AND POSITIONS

Release the vacuum body by pressing down on the body release pedal with your foot and pulling back and down.



Body release pedal

RECOMMENDED PILE HEIGHT SETTINGS

To select a pile height setting :

Turn off cleaner first. Select a pile height setting by using height adjustment knob. Slide the adjustment knob to the correct setting position. Do not position the body when you are setting.

Suggested pile height settings :

You may need to raise the height to make some jobs easier, such as scatter rugs and longer pile carpets.

Suggested settings are :

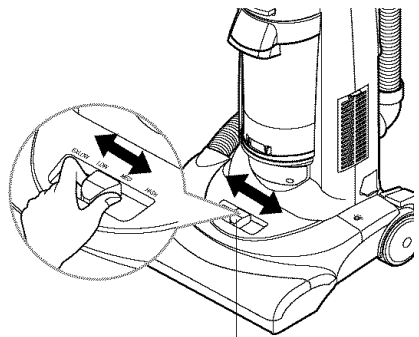
High: shag carpet, long pile, plush, scatter rugs

Med: medium to long pile

Low: short to medium pile


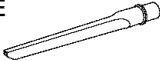
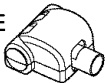
Ex-low: very low pile, bare floor

Attention: Special care is required when vacuuming certain types of carpet or floor covering. Always check the carpet or floor covering manufacturer's recommended cleaning instructions before vacuuming.



Height adjustment knob

ATTACHMENT USE CHART

ATTACHMENT	CLEANING AREA				
	Furniture*	Between Cushions*	Drapes*	Stairs	Walls
DUSTING BRUSH 	X	X	X	X	X
CREVICE TOOL 		X		X	X
HANDI-MATE Jr.® 		X		X	X

* Always clean attachments before using on fabrics.

VACUUMING TIPS

Carpet edges

Use attachments such as crevice tool, dusting brush, Handi-mate Jr.® on carpet edges.

See page 7, 8



WARNING

Personal Injury Hazard

Use care if vacuum cleaner is placed on stairs. If it falls, personal injury or property damage could result.

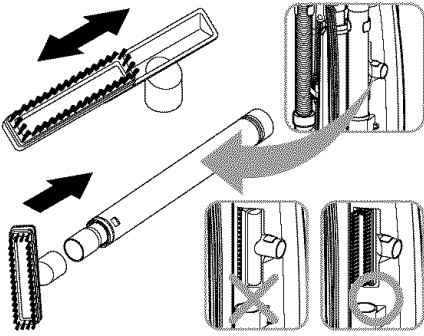
ATTACHMENTS

To use attachments

- 1) Place the cleaner on a flat surface.
Remove the wand off the body by grasping and rotating while pulling up.
- 2) Set pile height to high
- 3) Place switch in "Floor" mode.

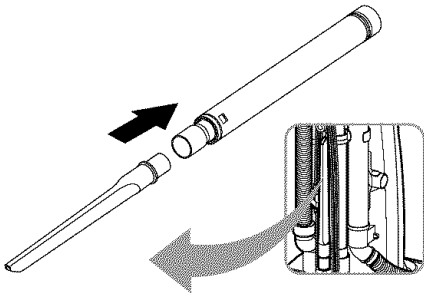
Dusting brush:

Functions as a dusting brush, also an upholstery nozzle which is useful for furniture, shelves etc. Attach as shown.

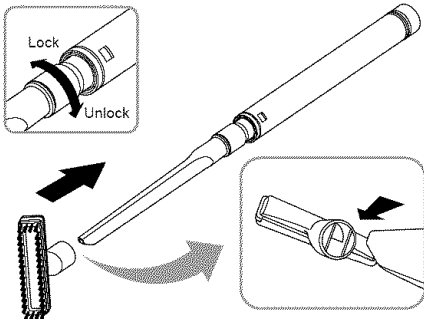


Crevice tool:

Crevice tool is attached as shown and used for corners, between cushions etc.

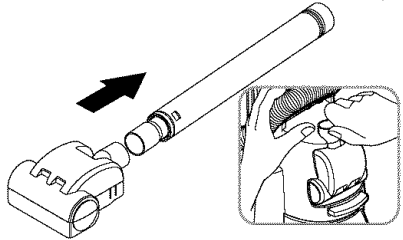


Note : For added reach the dusting brush can be used with crevice tool as shown.



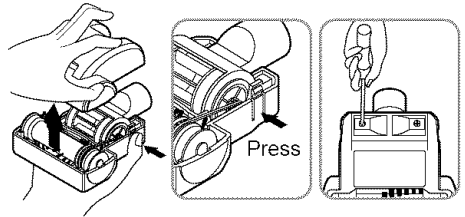
Handi-mate Jr.®:

Handi-mate Jr.® is attached as shown and used for stairs and other hard to reach places.



To remove Handi-mate Jr.® cover:

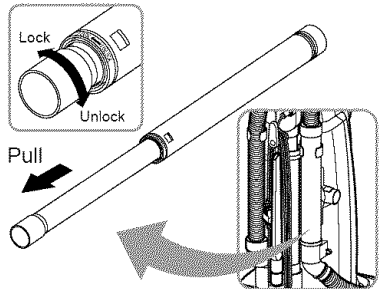
Remove 2 screws on the bottom and take Handi-mate Jr.® cover off as shown.



Frequently check and remove hair, string, and lint build-up the brush area. Failure to do so could cause damage to Handi-mate Jr.®.

To extend wand:

Rotate the wand to unlock and pull.



CAUTION

Do not pull the vacuum cleaner around the room by the hose. Property damage could result.

TO STORE ATTACHMENTS

Return the wand to its position on the body and the attachments to their holders.

PERFORMANCE FEATURES

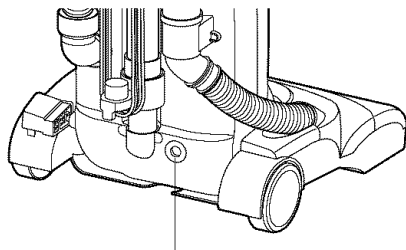
Motor protector

This vacuum has a motor protector bypass valve which automatically opens to provide cooling air to the motor when a clog prevents the normal flow of air to the motor. If the bypass valve opens to prevent motor overheating and possible damage to the vacuum, you will notice a change of sound as air rushes through the valve opening.

NOTE: Do not block motor protector.

To correct problem: Check for and remove clogs. See CLOG REMOVAL section.

NOTE: The motor protector may open when using attachments or when cleaning new carpet, due to reduced airflow caused by the attachments themselves or by new carpet fuzz filling the dust bin quickly.



Motor protector

Thermal protector

This vacuum has a thermal protector which automatically trips to protect the vacuum from overheating. If a clog prevents the normal flow of air to the motor the thermal protector turns the motor off automatically to allow the motor to cool in order to prevent possible damage to the vacuum.

To correct problem: If this occurs, turn the vacuum off and unplug the power cord from the outlet to allow the vacuum to cool.

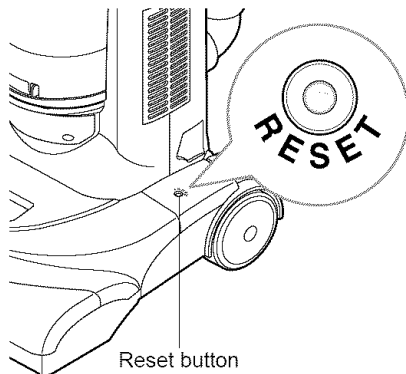
Check for and remove clogs, if necessary. Also check and clean/replace any clogged filters. Wait approximately thirty(30)minutes and plug the vacuum in and turn back on to see if the motor protector has reset. The thermal protector system will not reset until the vacuum has cooled down.

Agitator overload protector

The agitator has built-in protection against motor damage should the agitator jam. If the agitator slows down or stops the agitator overload protector shuts off the agitator. The suction motor will remain on at this time.

To correct problem: Turn off and unplug vacuum, remove obstruction and press reset button.

To reset, push reset button once.



Reset button

VACUUM CLEANER CARE

Always follow all safety precautions when cleaning and servicing the vacuum cleaner.



WARNING

Electrical shock and personal injury hazard.

Disconnect electrical supply before servicing or cleaning the unit. Failure to do so could result in electrical shock or personal injury from cleaner suddenly starting.

VACUUM STORAGE

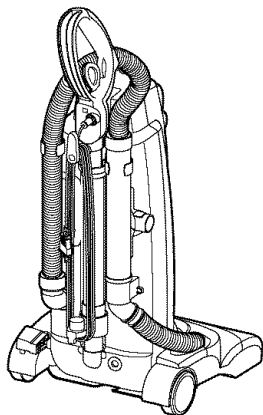
To store the vacuum cleaner when it is not used, assemble its cord and return its telescopic handle to its lower space saving position.



WARNING

Electrical shock and personal injury hazard.

Wrapping the cord too tightly puts stress on the cord and can cause cord damage. A damaged cord is an electrical shock hazard and could cause personal injury or damage.



DUST BIN ASSEMBLY

Dust bin lid:

The dust bin lid covers up the dust bin.

Screen filter:

Screen filter traps dirt and debris that is picked up by the suction.

Main filter:

Main filter captures micro-particles.

Filter plate:

The filter plate separates the bin into two spaces for various types of dust and debris.

Bottom plate:

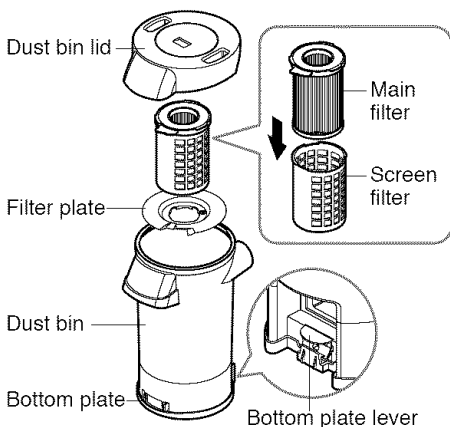
Used to throw dust out of the bin.

Bottom plate lever:

Used to open the bottom plate for dust and debris disposal.

Dust bin:

Where dirt is collected.



DUST BIN CLEANING

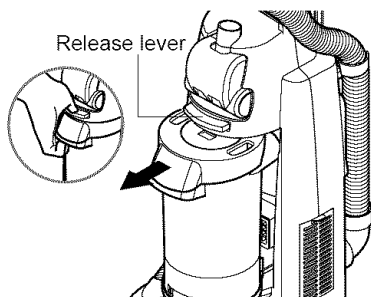
For best performance always empty the dust bin when the dirt level reaches the "MAX" line.

WARNING

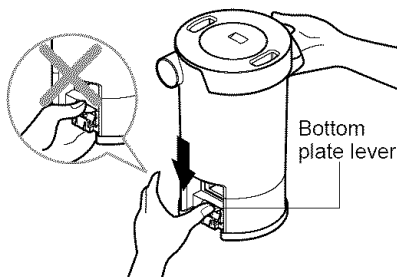
Electrical shock and personal injury hazard.

Always unplug power cord from electrical outlet before performing any service on vacuum.

TO REMOVE DUST BIN, press the dust bin release lever until it snaps, and slide the bin out of cleaner.



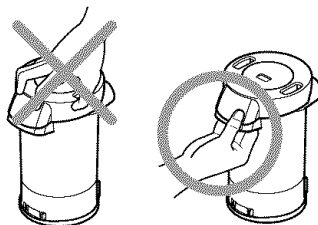
TO EMPTY DUST BIN, press the bottom plate lever as shown.



Note : When replacing the dust bin in the vacuum you need to slide and snap it. Make sure that dust bin is fully engaged otherwise suction power could be low.

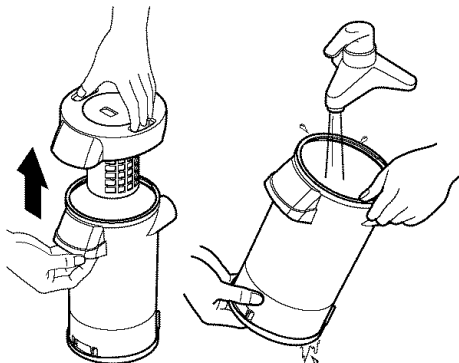
CAUTION

Carry the dust bin by the handle as shown.

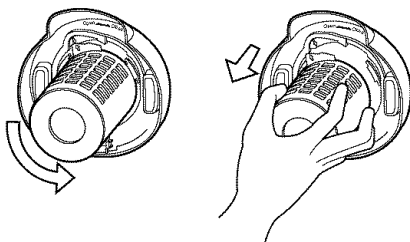


FILTERS CLEANING / CHANGING

TO CLEAN THE DUST BIN AND FILTERS, separate all components from the dust bin lid first, and clean the dust bin and filters with water.

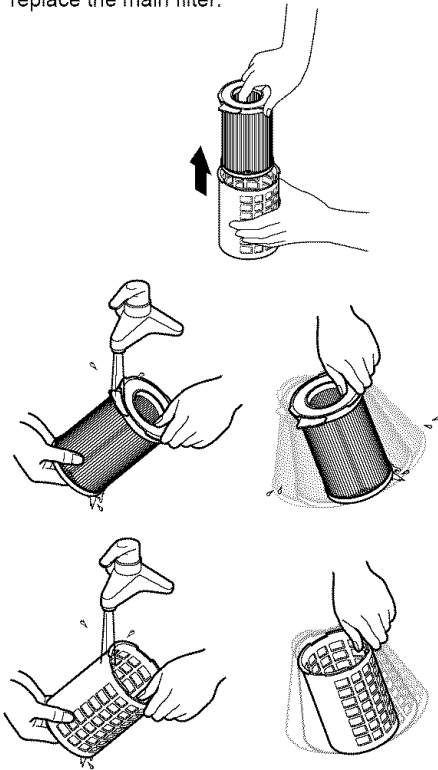


For optional performance check filters frequently and clean when dirty.
Grasp screen filter, rotate counter-clockwise and take them out.
Remove main filter from filter screen.
Rinse with clean water only, do not use detergent or soap.

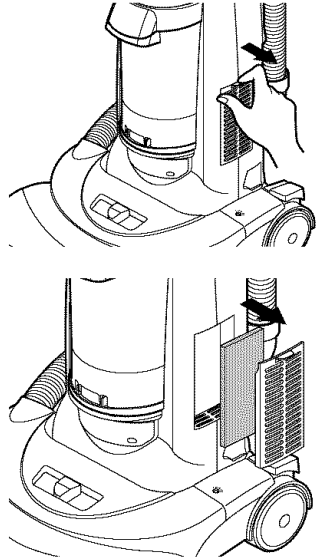


Allow main and screen filter to dry 24 hours before putting them back. Make sure that the filters dry completely.

When cleaning the main filter no longer restores vacuum suction to full power, you need to replace the main filter.



TO CHANGE THE EXHAUST FILTER, take it out of cleaner and replace it with new one. DO NOT CLEAN WITH WATER OR LIQUID. This filter can not be cleaned and must be replaced for proper performance.



CAUTION

Wet filter can cause permanent damage to cleaner.
Ensure that all filters dry completely.

REPLACING HEADLIGHT BULB

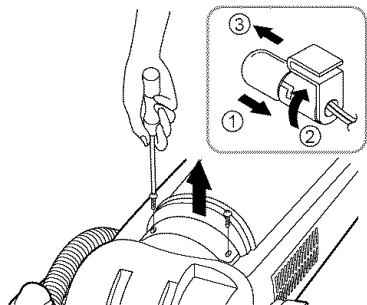
Make sure that the cleaner's switch is off and disconnect the power cord.
Remove two screws and light cover.
Remove the bulb by twisting and pushing it in slightly; Then pull out.
Replace the bulb by pushing the bulb in.



WARNING

Personal injury hazard

To avoid personal injury, switch off and disconnect the power cord.



BELT CHANGING AND AGITATOR CLEANING



WARNING

Electrical shock and personal injury hazard.

Disconnect electrical supply before servicing or cleaning the unit. Failure to do so could result in electrical shock or personal injury from cleaner suddenly starting.

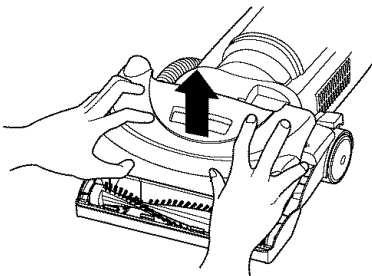
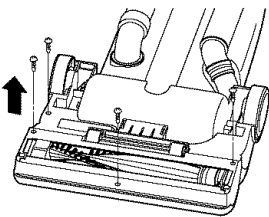
Frequently check and remove hair, string, and lint build-up in the agitator brush area. If build-up becomes excessive, follow the steps below. Should the belt become loose or should it break, follow the belt removal instructions.

NOZZLE COVER REMOVAL / INSTALLATION

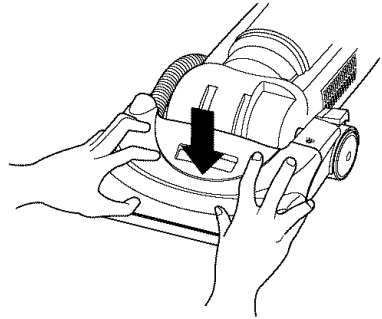
Disconnect electrical supply, press body release pedal and rotate body down, so the cleaner is laying flat on the floor.

To protect the floor surface place paper under the nozzle and work area.

Remove 4 screws from the bottom as shown. Turn cleaner upside down to take the cover off.



To replace the nozzle cover, hook the front of the nozzle cover onto the nozzle base and turn the cleaner upside down. Replace the 4 screws on the bottom.



WARNING

Personal injury hazard

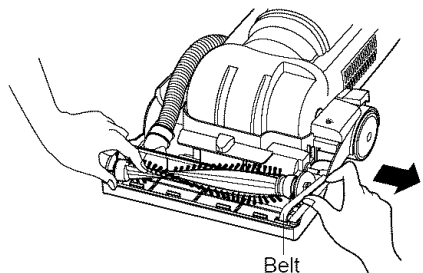
Always unplug the vacuum cleaner before cleaning the brush area as agitator may suddenly restart. Failure to do so can result in personal injury.

TO REMOVE BELT / CLEAN AGITATOR

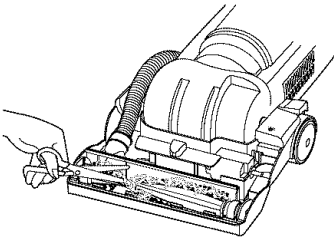
Position hands on opposite ends of the agitator. If the belt is still attached to the agitator, there will be tension on it.

Carefully lift the right end of the agitator and then lift the other end.

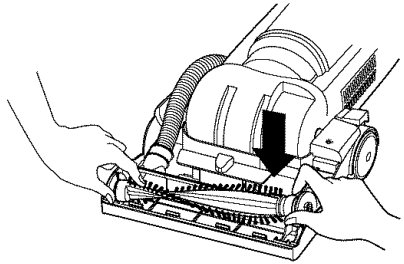
Remove the worn or broken belt from the motor drive shaft and clean the agitator.



Remove string or hair that may be wrapped around the agitator.



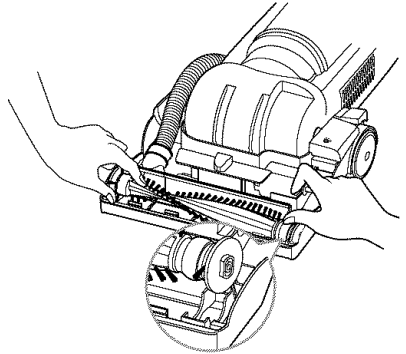
Pull right end of agitator forward and seat it into nozzle base.



WARNING

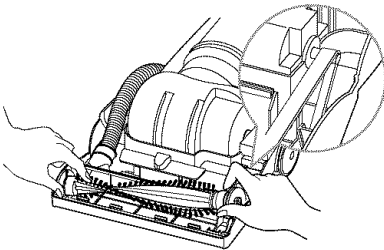
Be careful when removing the agitator as the belt tension is high. Failure to do so could result in personal injury from the agitator releasing quickly and snapping away.

To seat agitator right end, put right end of agitator into slot in nozzle base as shown.



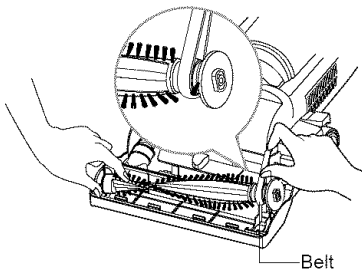
TO REPLACE BELT

Seat the left end of agitator into nozzle base.

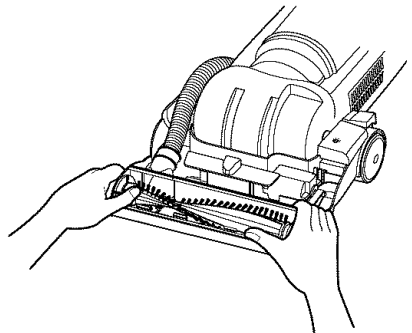


Loop the new belt on the motor shaft.

Loop the other end of belt onto the belt pulley on the right end of agitator.



Press firmly, checking to see that each end is completely inserted.



To replace the nozzle cover, follow the NOZZLE COVER REMOVAL / INSTALLATION section.

CLEANING EXTERIOR

Unplug power cord from wall outlet. Clean exterior using a clean, soft cloth that has been dipped in a solution of mild liquid detergent and water and wrung dry.

DO NOT drip water in the cleaner.

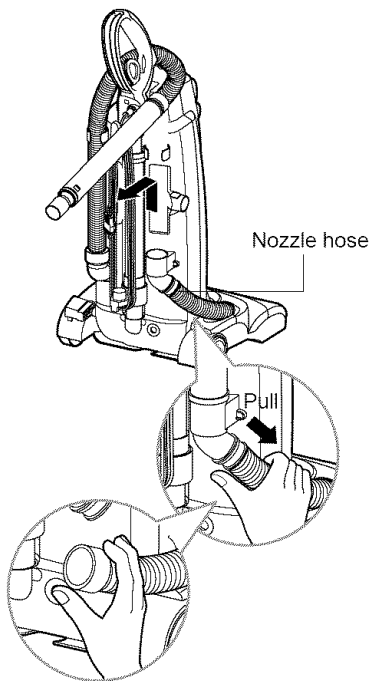
DO NOT clean tools in dishwasher or clothes washer. Wash tools in warm soapy water, rinse and air dry.

DO NOT use tools if they are wet.

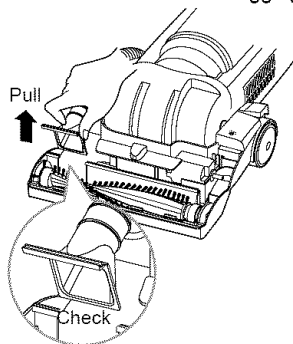
REMOVING CLOGS

The hose located on the vacuum cleaner carries the dirt from the nozzle up to the dust bin. If the hose should become clogged :

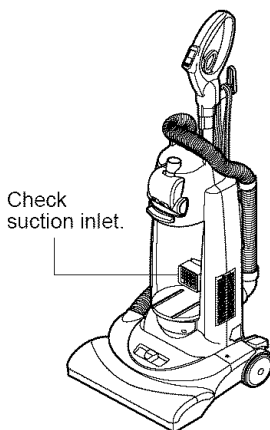
Unplug vacuum. Remove the assembled wand, nozzle hose and check them.



Check the base of the hose for clogging as shown.



Check suction inlet and filters for clogs.



Note : Clogged filters can cause suction power to be low. To clean the filter, refer to FILTERS CLEANING / CHANGING section.

TROUBLESHOOTING

Review this chart to find do-it-yourself solutions for a minor performance problems. Additional service needed, other than those described in this owner's manual, should be performed at Sears Parts & Repair Center.



WARNING

Electrical shock and personal injury hazard.

Disconnect electrical supply before servicing or cleaning the unit. Failure to do so could result in electrical shock or personal injury.

PROBLEM	POSSIBLE CAUSE	POSSIBLE SOLUTION
CLEANER WILL NOT RUN	<ol style="list-style-type: none"> 1. Unplugged at wall outlet. 2. Switch in off position. 3. Thermal protector activated 	<ol style="list-style-type: none"> 1. Plug in firmly, check circuit breaker / fuse. 2. Push switch to floor or carpet mode. 3. See "To correct problem", page 9.
POOR JOB OF DIRT PICKUP	<ol style="list-style-type: none"> 1. Full or clogged dust bin. 2. Broken agitator belt. 3. Clogged hose or nozzle. 4. Hose not inserted fully 5. Worn agitator. 6. Hole in hose 7. Dust bin assembly improperly installed. 8. Belt not installed on motor shaft. 9. Motor protection system activated. 10. Agitator overload protector activated 	<ol style="list-style-type: none"> 1. Empty dust bin and clean the filters 2. Replace agitator belt. 3. Clean hose or nozzle area. 4. Insert hose 5. Replace agitator. 6. Replace hose. 7. Properly install dust bin assembly 8. Install belt on the motor shaft 9. Check for clogs 10. See "To correct problem", page 9.
DUST ESCAPES THE DUST BIN	<ol style="list-style-type: none"> 1. Dust bin assembly improperly installed. 	<ol style="list-style-type: none"> 1. Properly install dust bin
LIGHT WILL NOT WORK	<ol style="list-style-type: none"> 1. Burned out light bulb. 	<ol style="list-style-type: none"> 1. Replace light bulb.

MASTER PROTECTION AGREEMENTS

Master Protection Agreements

Congratulations on making a smart purchase. Your new Kenmore® product is designed and manufactured for years of dependable operation. But like all products, it may require preventive maintenance or repair from time to time. That's when having a Master Protection Agreement can save you money and aggravation. Purchase a Master Protection Agreement now and protect yourself from unexpected hassle and expense.

The Master Protection Agreement also helps extend the life of your new product. Here's what's included in the Agreement:

- Expert service** by our 12,000 professional repair specialists
- Unlimited service and no charge** for parts and labor on all covered repairs
- "No-lemon" guarantee** – replacement of your covered product if four or more product failures occur within twelve months
- Product replacement** if your covered product can't be fixed
- Annual Preventive Maintenance Check** at your request – no extra charge
- Fast help by phone** – phone support from a Sears technician on products requiring in-home repair, plus convenient repair scheduling
- Power surge protection** against electrical damage due to power fluctuations
- Rental reimbursement** if repair of your covered product takes longer than promised

Once you purchase the Agreement, a simple phone call is all that it takes for you to schedule service. You can call anytime day or night, or schedule a service appointment online.

Sears has over 12,000 professional repair specialists, who have access to over 4.5 million quality parts and accessories. That's the kind of professionalism you can count on to help prolong the life of your new purchase for years to come. Purchase your Master Protection Agreement today!

Some limitations and exclusions apply.
For prices and additional information call 1-800-827-6655.

Sears Installation Service

For Sears professional installation of home appliances, garage door openers, water heaters, and other major home items, in the U.S.A. call **1-800-4-MY-HOME®**

CONTENIDO

Antes de utilice su nueva aspiradora	1	Cuidado de su aspiradora.....	9
Garantía de la aspiradora Kenmore	1	Almacenamiento de la aspiradora	9
Instrucciones importantes de seguridad	2	Montaje del depósito de polvo	9
Piezas y características	3	Limpieza del depósito de polvo.....	10
Soltar el mango telescópico.....	4	Limpieza/cambio de filtros	10
Salida del cable	4	Sustituir la bombilla principal	11
Funcionamiento del interruptor	5	Cambio de correa y limpieza del mezclador.....	12
Soltar el cuerpo principal y posiciones.....	5	Limpieza exterior.....	14
Parámetros de altura recomendados	5	Eliminar obstrucciones.....	14
Gráfico de uso de los accesorios	6	Solución de averías	15
Consejos de aspiración	6	Acuerdos de protección original.....	16
Accesorios	6	Servicio.....	cubierta posterior
Características de rendimiento	8		

ANTES DE UTILICE SU NUEVA ASPIRADORA

Por favor, lea esta guía. Le ayudará a montar y a poner en funcionamiento su nueva aspiradora Kenmore de la forma más segura y eficaz posible.

Para obtener más información sobre el cuidado y el funcionamiento, llame a su tienda Sears más cercana. Necesitará el modelo y los números de serie completos para solicitar información.

El modelo y los números de serie de su aspiradora están situados en la placa de modelo y número de serie.

Utilice el espacio a continuación para registrar el número de modelo y el número de serie de su nueva aspiradora Kenmore.

Nº de modelo. _____

Nº de serie. _____

Fecha de compra _____

Guarde este libro y su ticket de compra (recibo) en un lugar seguro para referencias futuras.

GARANTÍA DE LA ASPIRADORA KENMORE

GARANTÍA LIMITADA DE UN AÑO EN LA ASPIRADORA KENMORE

Esta garantía será válida durante un año a partir de la fecha de compra, e incluye solamente el uso doméstico de la aspiradora. Durante el año de garantía, siempre que esta aspiradora se haga funcionar y se mantenga según las instrucciones en el manual del propietario, Sears reparará gratuitamente cualquier defecto material o de mano de obra.

Esta garantía excluye las correas de la aspiradora, las bombillas, y los filtros, que son piezas consumibles que se gastan debido al uso normal.

Para beneficiarse del servicio bajo la garantía, devuelva esta aspiradora al Centro de Piezas y Reparaciones Sears más cercano de los Estados Unidos.

Esta garantía sólo se aplicará siempre que este producto se utilice en el interior de los Estados Unidos. Esta garantía le da derechos legales específicos, y también puede tener otros derechos que varían de estado a estado.

Sears, Roebuck and Co., D/817WA, Hoffman Estates, IL 60179

INSTRUCCIONES IMPORTANTES DE SEGURIDAD



AVISO - Para reducir el riesgo de fuego, descarga eléctrica o lesiones:

Su seguridad es muy importante para nosotros. Para reducir el riesgo de fuego, descarga eléctrica, lesiones a personas o daños durante el uso de su aspiradora, respete las precauciones básicas de seguridad, incluyendo las siguientes:

Lea este manual antes de montar o utilice su aspiradora.

Utilice su aspiradora sólo según lo descrito en este manual. Utilice únicamente con los accesorios incluidos.

Para reducir el riesgo de descargas eléctricas - **No** utilice al aire libre o sobre superficies mojadas.

Desconecte la alimentación antes de reparar o limpiar el área. No hacerlo podría dar lugar a descargas eléctricas o que el cepillo se active repentinamente.

Siempre apague la aspiradora antes de conectar o desconectar la manguera.

Siempre apague la aspiradora antes de desenchufarla.

No lo desenchufe tirando del cable. Para desenchufarlo, tire del enchufe, no del cable.

No lo utilice si el cable o el enchufe están dañados. Si la aspiradora no funciona como debe, se ha caído, dañado, sacado al exterior, o se ha caído en el agua, devuélvala a un Centro de servicio de Sears.

No tire del cable de la aspiradora, no lo utilice como asa, cierre una puerta sobre el cable, o lo haga pasar por bordes o esquinas afiladas. No desplace la aspiradora sobre el cable. Mantenga el cable de alimentación lejos de superficies calientes.

No se aleje de la aspiradora cuando esté enchufada. Desenchufe de la toma cuando no vaya a utilizarla y antes de repararla.

No permita que sea utilizada como un juguete. Preste atención al utilizar la aspiradora cerca de los niños.

No toque el enchufe o la aspiradora con las manos mojadas.

No coloque ningún objeto sobre sus orificios de salida. **No** la utilice si sus orificios de salida están bloqueados; manténgala limpia polvo, pelusa, pelo y cualquier cosa que pueda reducir el flujo de aire.

Mantenga el pelo, la ropa suelta, los dedos, y todas las partes del cuerpo lejos de los orificios de salida y las piezas móviles.

No utilice la aspiradora sin el depósito de polvo/filtros en su sitio.

Siempre limpie el depósito de polvo después de limpiar la alfombra con la aspiradora, tanto el polvo como el polvo fino. Estos productos limpiadores obstruyen el filtro, reducen la circulación de aire y pueden causar daños a la aspiradora. De no limpiar el depósito de polvo, podría causar daños permanentes a la aspiradora.

No utilice la aspiradora para eliminar objetos duros y afilados, juguetes pequeños, chinchetas, clips de papel, etc. Estos podrían dañar la aspiradora o el depósito de polvo.

No aspire nada que se esté quemando o suelte humo, por ejemplo cigarrillos, fósforos, o cenizas calientes.

No utilice la aspiradora para eliminar líquidos inflamables o combustibles (gasolina, quitamanchas, perfumes, etc.), o lo utilice en áreas donde estos puedan estar presentes. Los humos de estas sustancias pueden representar crear un riesgo de incendio o explosión.

Emplee un cuidado especial al aspirar escaleras. No coloque la aspiradora sobre una silla, mesa, etc. Manténgala sobre el suelo.

Usted es responsable de asegurarse de que su aspiradora no sea utilizada por alguien incapaz de hacerla funcionar correctamente.

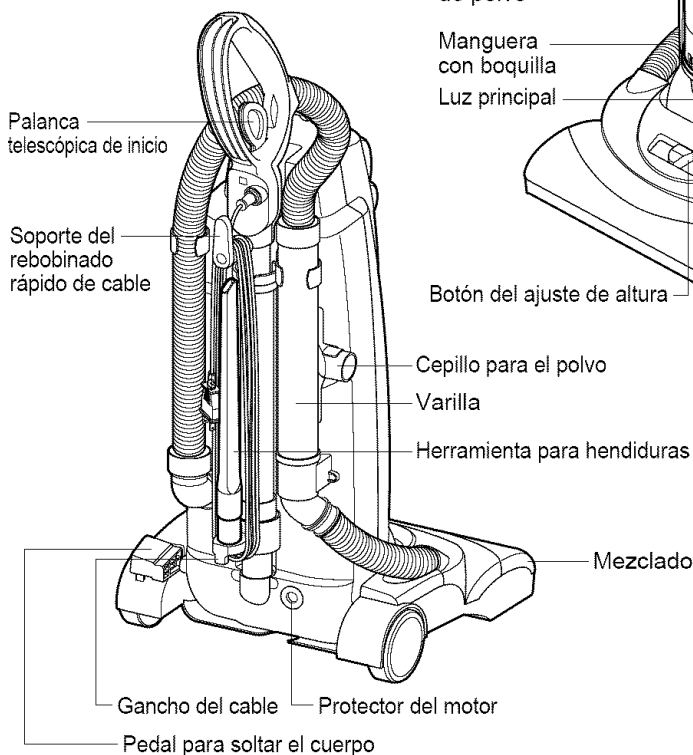
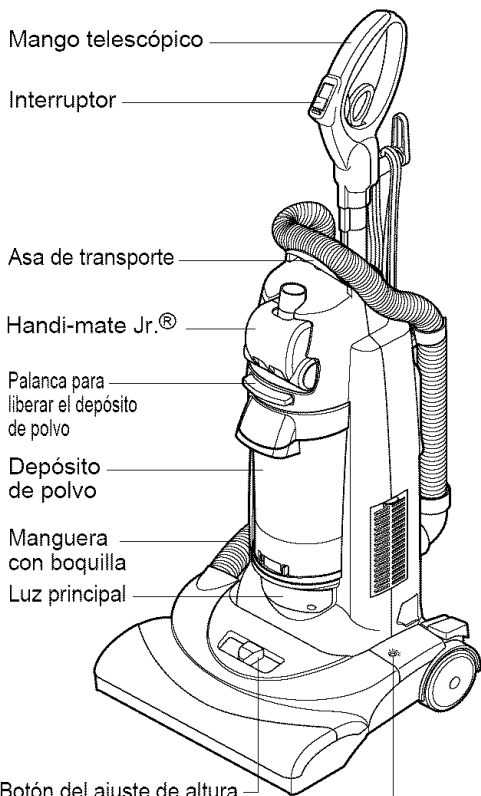
GUARDE ESTAS INSTRUCCIONES

El montaje y el uso seguro de su aspiradora son sus responsabilidades. Su aspiradora está diseñada únicamente para el uso doméstico. Lea cuidadosamente el manual de del propietario para obtener información importante acerca del uso y la seguridad. Esta guía contiene comentarios de seguridad bajo símbolos de advertencia y precaución. Por favor, preste especial atención a estos recuadros y siga las instrucciones facilitadas. Los comentarios de **AVISO** le alertan de peligros como fuego, descargas eléctricas, quemaduras y daños corporales serios. Los comentarios de **ADVERTENCIA** le alertan de peligros como daños corporales moderador y/o daños a la propiedad.

PIEZAS Y CARACTERÍSTICAS

Es importante conocer las piezas y características de su aspiradora para asegurar un uso adecuado y seguro. Revise estas antes de utilizar su aspiradora.

Artículo	Nº de pieza en EE.UU.
Filtros	85880
Bombilla	5240
Correa	5282

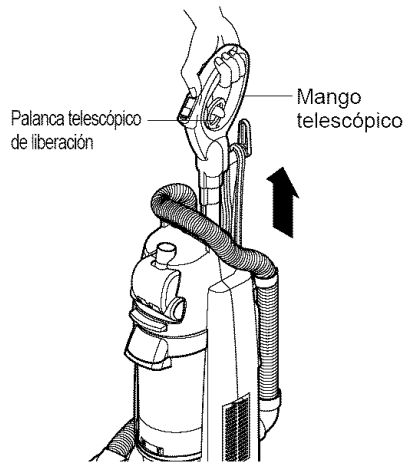


SOLTAR EL MANGO TELESCÓPICO

Suelte el mango telescópico tirando hacia arriba de la palanca telescópica para soltar y extraer el mango telescópico.

Para bajar el mango telescópico, tirando hacia arriba de la palanca telescópica y presione hacia abajo el mango telescópico.

Nota : Para su comodidad, ajuste la altura del mango telescópico para adaptarlo a su altura.

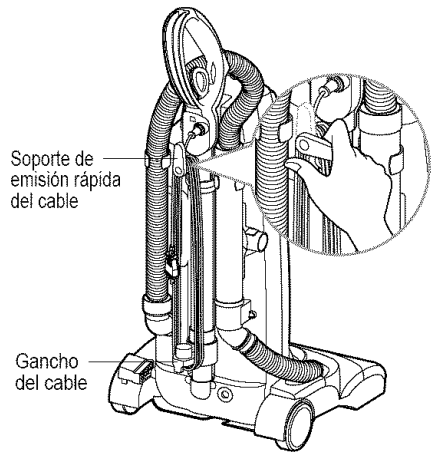


SALIDA DE CABLE

Gire el soporte de emisión rápida del cable hacia cualquier lado para soltar el cable de alimentación.

Para almacenar el cable de alimentación, enrolle el cable de alimentación alrededor del soporte de emisión rápida del cable y el gancho, y sujete el enchufe sobre el cable de alimentación.

Nota : Para reducir el riesgo de descargas eléctricas, esta aspiradora cuenta con un enchufe polarizado, lo que significa que una clavija es más ancha que la otra. Este enchufe se adaptará a un enchufe polarizado unidireccional. Si el enchufe no se ajusta completamente al enchufe, invierta el enchufe. Si aún así no logra adaptarlo correctamente, póngase en contacto con un electricista cualificado para instalar el enchufe adecuado. No modifique el enchufe de ninguna forma o manera.



FUNCIONAMIENTO DEL INTERRUPTOR

Funcionamiento del interruptor

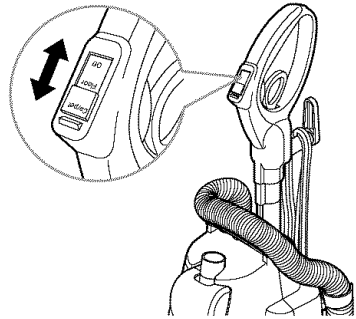
- Apagado
- Suelo: Mezclador apagado
- Alfombra: Mezclador encendido



AVISO

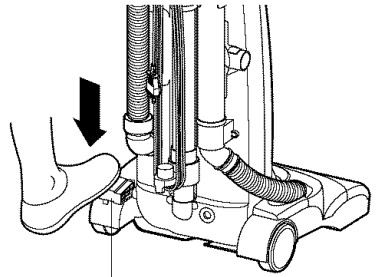
Peligro de lesiones personales

Para evitar lesiones personales, no encienda/apague el interruptor si la aspiradora o sus manos están mojadas.



SOLTAR EL CUERPO PRINCIPAL Y POSICIONES

Suelte el cuerpo de la aspiradora presionando hacia abajo con su pie sobre el pedal de emisión del cuerpo y tirando hacia atrás y abajo.



Pedal de emisión del cuerpo

PARÁMETROS DE ALTURA RECOMENDADOS

Seleccionar un parámetro de altura :

Primero apague la aspiradora. Seleccione un parámetro de altura usando la perilla de ajuste de altura. Deslice el botón de ajuste a la posición correcta. No coloque el cuerpo cuando lo esté configurando.

Parámetros de altura recomendados :

Usted puede necesitar elevar la altura para hacer algunos trabajos más fáciles, por ejemplo la aspiración de mantas y alfombras de pelo más grueso.

Los parámetros recomendados son :

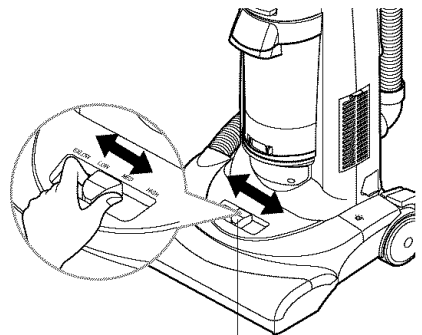
Alto: alfombras desgastadas, pelo alto, felpa, alfombras pequeñas

Medio: pelo de medio a largo

Bajo: pelo de corto a medio


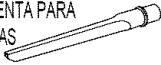
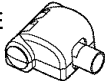
Extra bajo: pelo muy corto, suelo libre

Atención: Es necesario un cuidado especial al aspirar ciertos tipos de alfombra o cubierta de suelo. Revise siempre las instrucciones de limpieza recomendadas por el fabricante de la alfombra o cubierta de suelo antes de utilizar la aspiradora.



Perilla de ajuste de altura

GRÁFICO DE USO DE LOS ACCESORIOS

ACCESORIO	ÁREA DE LIMPIEZA				
	Muebles *	Entre cojines*	Cortinas*	Escaleras	Paredes
CEPILLO PARA EL POLVO 	X	X	X	X	X
HERRAMIENTA PARA HENDIDURAS 		X		X	X
HANDI-MATE Jr.® 		X		X	X

* Limpie siempre los accesorios antes de utilizarlos sobre las telas.

CONSEJOS DE ASPIRACIÓN

Bordes de alfombras

Utilice accesorios tales como la herramienta para hendidas, el cepillo para el polvo, Handi-mate Jr. ® en los bordes de la alfombra.

Consulte la página 7, 8



AVISO

Peligro de lesión personal

Tenga cuidado si piensa aspirar en las escaleras. Si la aspiradora se cayera, podría causar lesiones personales o daños a la propiedad.

ACCESORIOS

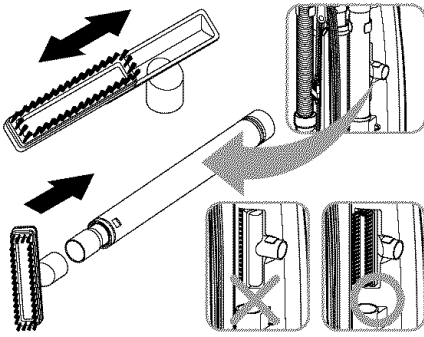
Uso de los accesorios

- 1) Coloque la aspiradora sobre una superficie plana.
Retire la varilla del cuerpo agarrando y rotándola mientras tira hacia arriba.
- 2) Fije la altura del pelo en Alta
- 3) Fije el interruptor en modo "Suelo".

Cepillo para el polvo:

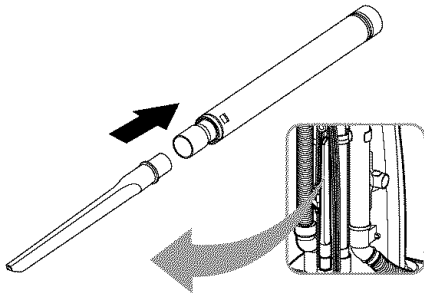
Funciona como un cepillo para el polvo, como una boquilla para tapicerías útil para los muebles, estantes etc.

Acóplela como se muestra a continuación.

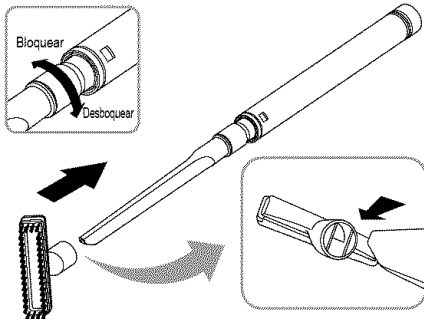


Herramienta para hendiduras:

La herramienta para hendiduras se acopla según se muestra y se utiliza en esquinas, entre los cojines, etc.

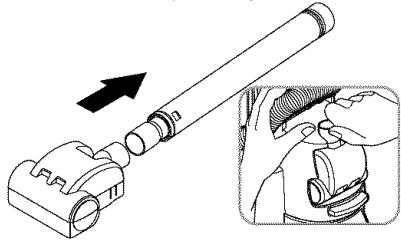


Nota : Para aumentar el alcance del cepillo de polvo, éste puede utilizarse con la herramienta para hendiduras como se muestra a continuación.



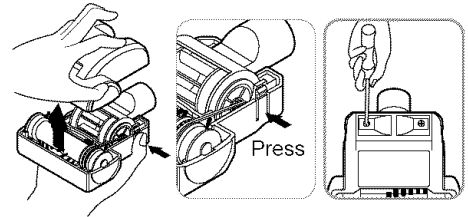
Handi-mate Jr.®:

Handi-mate Jr.® se acopla según se muestra y se utiliza en escaleras y otros lugares de difícil acceso.



Desmontar la cubierta del Handi-mate Jr.®:

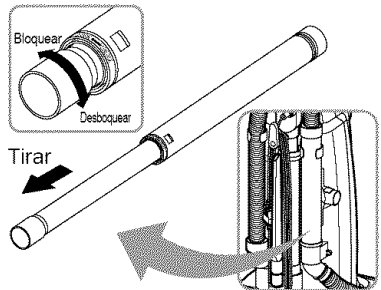
Retire los 2 tornillos de la parte inferior y desmonte la cubierta del Handi-mate Jr.® según se muestra.



Revise y retire frecuentemente los restos de pelo, hilos, y pelusa acumulada en el área del cepillo. De no hacerlo podría causar daños al Handi-mate Jr.®.

Para extender la varilla:

Gire la varilla para desbloquear y tirar.



⚠ ADVERTENCIA

No desplace la aspiradora alrededor del cuarto tirando de la manguera. Podría causar daños a la propiedad.

ALMACENAR ACCESORIOS

Devuelva la varilla a su posición en el cuerpo y los accesorios a sus soportes.

ESPAÑOL

CARACTERÍSTICAS DE RENDIMIENTO

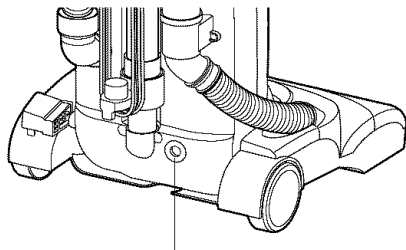
Motor protector

Esta aspiradora tiene una válvula de derivación protectora del motor que se abre automáticamente para proporcionar aire frío al motor cuando una obstrucción evita el flujo normal de aire al motor. Si la una válvula de derivación se abre para evitar el recalentamiento del motor y los posibles daños a la aspiradora, notará un cambio del ruido, como el aire corriera a través la abertura de la válvula.

NOTA: No bloquee el protector del motor.

Para corregir el problema: Revise y elimine las obstrucciones. Consulte la sección ELIMINAR OBSTRUCCIÓN.

NOTA: El protector del motor puede abrirse al utilizar accesorios o al limpiar una nueva alfombra, debido al reducido flujo de aire causado por los propios accesorios o por la pelusa de la nueva alfombra que está llenado rápidamente el depósito de polvo.



Protector del motor

Protector térmico

Esta aspiradora tiene un protector térmico que se activa automáticamente para proteger la aspiradora contra el recalentamiento. Si una obstrucción evita el flujo normal de aire al motor, el protector térmico apaga automáticamente el motor para permitir enfriarse al motor y evitar posibles daños a la aspiradora.

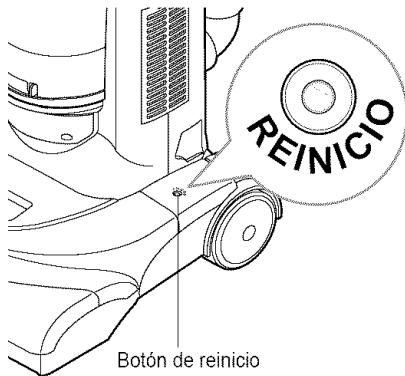
Para corregir el problema: Si esto ocurriera, apague y desenchufe el cable de alimentación para permitir el enfriamiento de la aspiradora. Revise y elimine las obstrucciones, si fuera necesario. Además, revise y limpie/cambie cualquier filtro obstruido. Espere aproximadamente treinta (30) minutos y enchufe de nuevo la aspiradora y vuelva a encenderla para comprobar que el protector del motor se haya reiniciado. El sistema del protector térmico no se reiniciará hasta que la aspiradora se haya enfriado.

Protector de sobrecarga del mezclador

El mezclador tiene incorporada una protección contra daños en el motor si sufriera una obstrucción en el mezclador. Si el mezclador se ralentiza o para, el protector de sobrecarga del mezclador apagará el mezclador. El motor de succión permanecerá encendido durante ese tiempo.

Para corregir el problema: Apague y desenchufe la aspiradora, retire la obstrucción y presione el botón de reinicio.

Para reiniciar, presione una vez el botón de reinicio.



Botón de reinicio

CUIDADO DE SU ASPIRADORA

Siga siempre todas las medidas de seguridad al limpiar y reparar su aspiradora.



AVISO

Peligro de descarga eléctrica y lesiones personales.

Desconecte la alimentación antes de reparar o limpiar la unidad. De no hacerlo, podría causar descargas eléctricas o lesiones personales a la aspiradora.

ALMACENAMIENTO DE LA ASPIRADORA

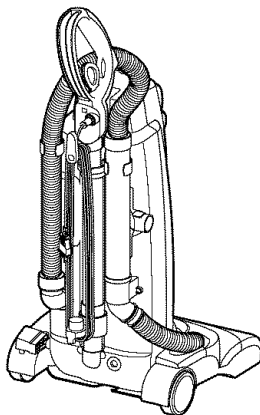
Para almacenar la aspiradora cuando no vaya a ser utilizada, monte su cable y devuelva su mango telescópico a su posición inferior de ahorro de espacio.



AVISO

Peligro de descarga eléctrica y lesiones personales.

Envolver el cable demasiado fuertemente crea presión sobre el cable y puede causar daños. Un cable dañado representa un peligro de descargas eléctricas y puede causar lesiones personales o daños.



MONTAJE DEL DEPÓSITO DE POLVO

Tapa del depósito de polvo:

La tapa del depósito de polvo cubre el depósito de polvo.

Rejilla del filtro:

El rejilla del filtro atrapa la suciedad y basura atraída mediante succión.

Filtro principal:

La filtro principal captura micropartículas.

Placa del filtro:

La placa del filtro separa el depósito en dos espacios para los varios tipos de polvo y basura.

Placa base:

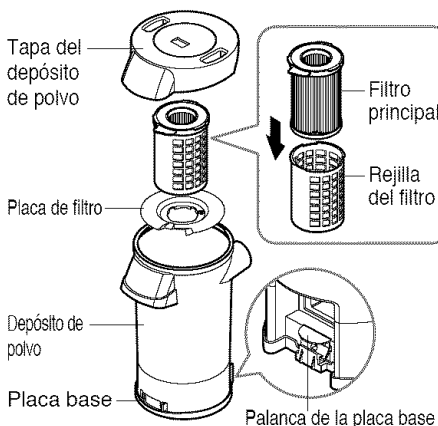
Utilizada para extraer el polvo del depósito.

Palanca de la placa base:

Utilizada para abrir la placa base para la eliminación de polvo y basura.

Depósito de polvo:

Donde se recoge la suciedad.



ESPAÑOL

LIMPIEZA DEL DEPÓSITO DE POLVO

Para lograr el mejor rendimiento, vacíe siempre el depósito de polvo cuando el nivel de suciedad alcance la línea "MÁXIMO".

AVISO

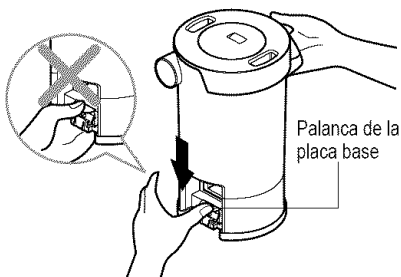
Peligro de descarga eléctrica y lesiones personales.

Desenchufe siempre el cable de alimentación antes de realizar cualquier reparación a su aspiradora.

PARA DESMONTAR EL DEPÓSITO DE POLVO, presione la palanca de liberación del depósito de polvo hasta que escuche un chasquido, y deslice el depósito fuera de la aspiradora.



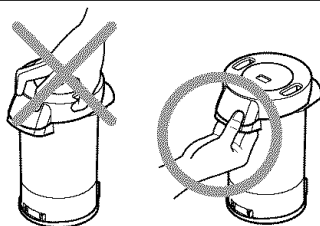
PARA VACIAR EL DEPÓSITO DE POLVO, presione la placa base según se muestra.



Nota : Al cambiar el depósito de polvo de la aspiradora, necesitará deslizarlo y encajarlo a presión. Asegúrese que el depósito de polvo está completamente encajado, de otra forma la potencia de succión podría ser baja.

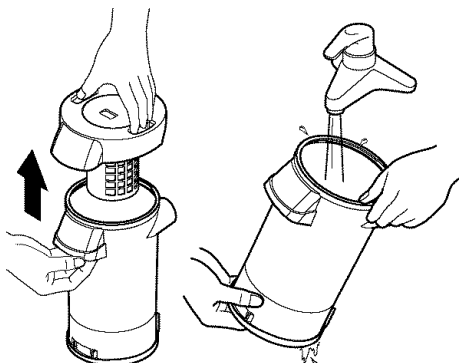
ADVERTENCIA

Desplace el depósito de polvo por el asa, como se muestra.

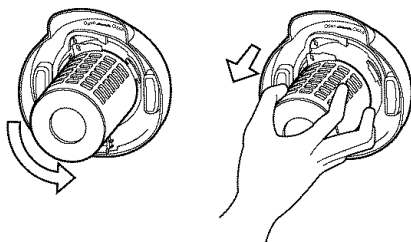


LIMPIEZA / SUSTITUCIÓN DE LOS FILTROS

PARA LIMPIAR EL DEPÓSITO DE POLVO Y LOS FILTROS DE POLVO, primero separe todos los componentes de la tapa del depósito de polvo, y limpie el depósito y los filtros de polvo con agua.

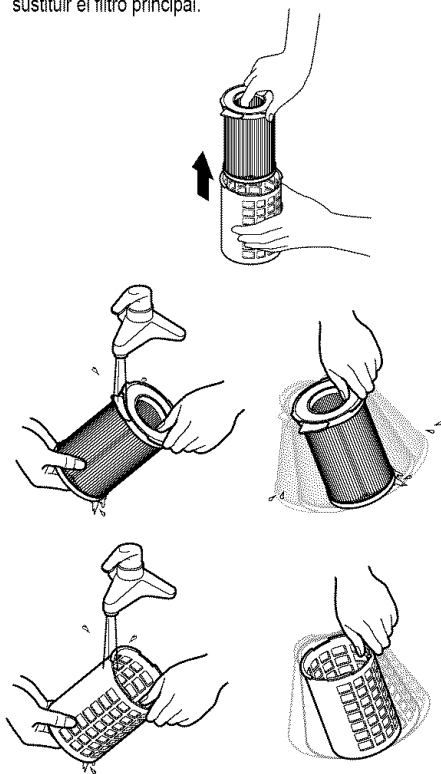


Para lograr el rendimiento más adecuado, revise los filtros con frecuencia y límpielos cuando estén sucios. Tome la rejilla del filtro, gírela a la izquierda y extraígalas. Retire el filtro principal de la rejilla del filtro. Aclárela únicamente con agua limpia, no utilice detergente o jabón.

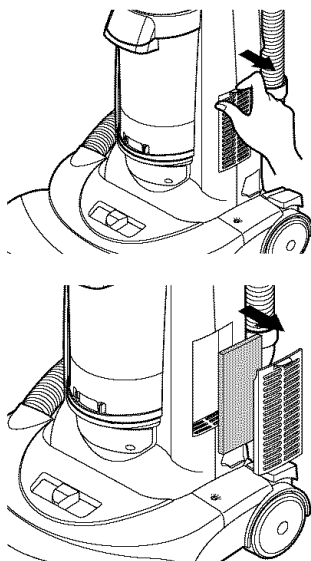


Permita que el filtro principal y la rejilla se sequen durante 24 horas antes de volver a colocarlas. Asegúrese de que los filtros estén totalmente secos.

Cuando limpiar el filtro principal ya no restablezca la potencia de succión de la aspiradora a su máxima potencia, necesitará sustituir el filtro principal.



PARA CAMBIAR EL FILTRO DE EXTRACCIÓN, extráigalo de la aspiradora y cámbielo por uno nuevo. NO LO LIMPIE CON AGUA O LÍQUIDO. Este filtro no se puede limpiar y debe cambiarse para lograr el funcionamiento apropiado.



ADVERTENCIA

Un filtro mojado puede causar daños permanentes a la aspiradora.

Asegúrese que todos los filtros estén completamente secos.

CAMBIAR LA BOMBILLA

Asegúrese de que el interruptor de la aspiradora esté apagado y desconecte el cable de alimentación.

Retire dos tornillos de la cubierta de la luz. Retire la bombilla girándola y empujándola levemente; después tire de ella.

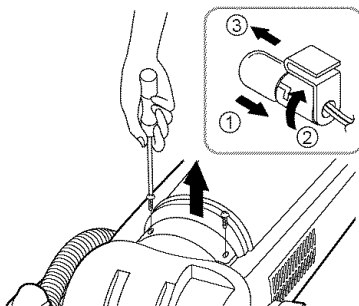
Cambie la bombilla empujándola hacia adentro.



AVISO

Peligro de lesiones personales.

Para evitar lesiones personales, apague la aspiradora y desconecte el cable de alimentación.



CAMBIO DE CORREAS Y LIMPIEZA DEL MEZCLADOR



AVISO

Peligro de lesiones personales y descargas eléctricas.

Desconecte la alimentación antes de reparar o limpiar la unidad. De no hacerlo podría ser la causa de descargas eléctricas o lesiones personales.

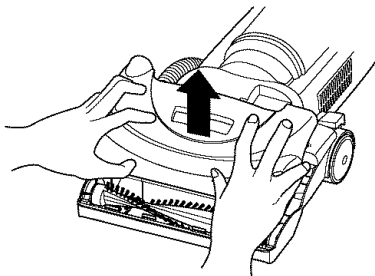
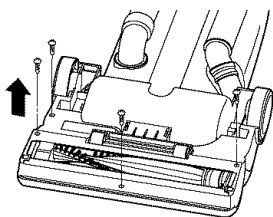
Revise y elimine con frecuencia los restos de pelo, hilos, y acumulación de pelusa en el área del cepillo del mezclador. Si la acumulación llega a ser excesiva, siga los pasos a continuación. Si la correa llega se aflojara o rompiera, siga las instrucciones de desmontaje de la correa.

DESMONTAJE / INSTALACIÓN DE LA CUBIERTA DE BOQUILLAS

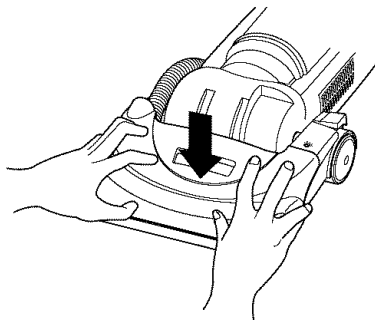
Desconecte la alimentación, presione el pedal de liberación del cuerpo y gire el cuerpo hacia abajo, de tal forma que aspiradora esté completamente sobre el suelo.

Para proteger la superficie del suelo, coloque papel bajo el área de trabajo y de la boquilla.

Retire los 4 tornillos de la base, como se muestra. Dé la vuelta a la aspiradora para desmontar la cubierta.



Para sustituir la cubierta de la boquilla, enganche la parte frontal de la cubierta de la boquilla sobre la base y dé la vuelta a la aspiradora. Sustituya los 4 tornillos de la base.



AVISO

Peligro de lesiones personales.

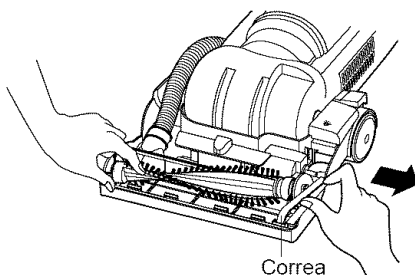
Desenchufe siempre la aspiradora antes de limpiar el área del cepillo, porque el mezclador podría iniciarse . repentinamente. El no hacerlo podría resultar en lesiones personales.

DESMONTAR LA CORREA / LIMPIAR EL MEZCLADOR

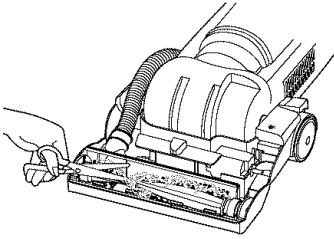
Coloque sus manos en los extremos opuestos del mezclador. Si la correa aún está acopiada al mezclador, provocará tensión sobre ella.

Levante cuidadosamente el extremo derecho del mezclador y después levante el otro extremo.

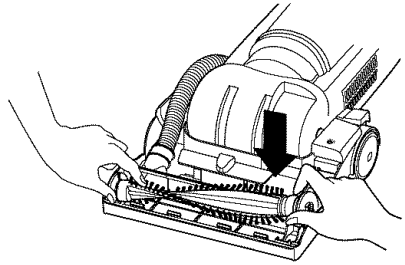
Retire la correa gastada o rota de la transmisión del motor y limpie el mezclador.



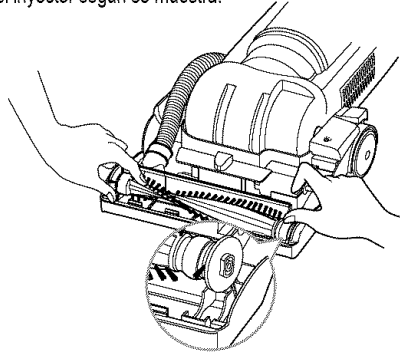
Retire los restos de hilos o pelo que puedan estar enrollados alrededor del mezclador.



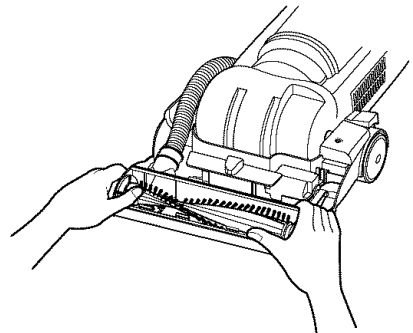
Tire del extremo derecho del mezclador y fíjelo sobre la base del inyector.



Para fijar el extremo derecho del mezclador, coloque el extremo derecho de mezclador en la ranura de la base del inyector según se muestra.



Presione firmemente, revisando para comprobar que cada extremo se inserte totalmente.



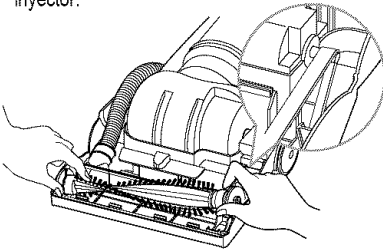
Para sustituir la cubierta del inyector, respete la sección DESMONTAJE DE LA CUBIERTA DEL INYECTOR / INSTALACIÓN.

AVISO

Tenga cuidado al retirar el mezclador porque la tensión de la correa es demasiado alta. De no hacerlo podría sufrir lesiones personales cuando el mezclador se suelte rápidamente.

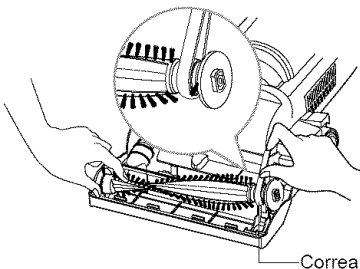
SUSTITUIR LA CORREA

Fije el extremo izquierdo del mezclador sobre la base del inyector.



Enrolle la nueva correa sobre el eje del motor.

Enrolle el otro extremo de la correa sobre la polea de correa en el extremo derecho del mezclador.



LIMPIEZA EXTERIOR

Desenchufe el cable de alimentación de la pared. Limpie el exterior con un paño limpio, suave que haya empapado en una solución de detergente líquido suave y agua y elimine el exceso de humedad.

NO derrame agua sobre la aspiradora.

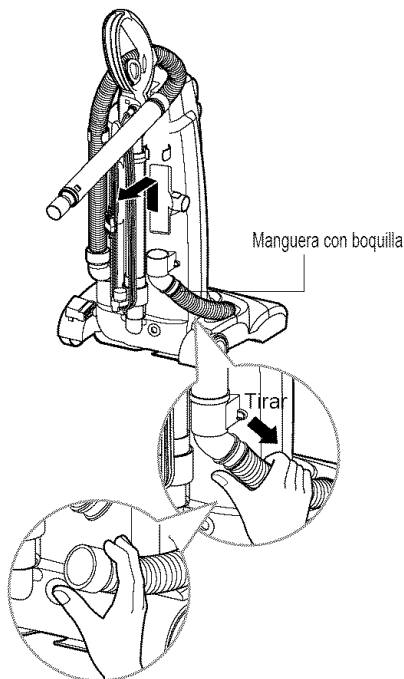
NO limpie las herramientas en el lavaplatos o lavadora. Lave las herramientas en agua jabonosa caliente, aclárelas y séquelas al aire.

NO utilice las herramientas si están mojadas.

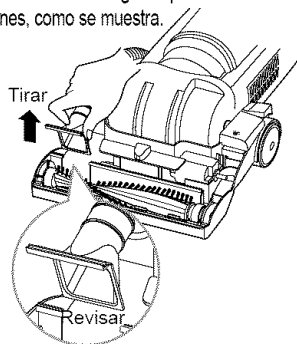
ELIMINAR OBSTRUCCIONES

La manguera situada en la aspiradora transporta la suciedad desde el inyector hasta el depósito de polvo. Si la manguera sufre una obstrucción:

Desenchufe la aspiradora. Retire la varilla montada y la manguera con boquilla y revíselas.



Revise la base de la manguera para saber si existen obstrucciones, como se muestra.



Revise la entrada de succión y los filtros en busca de obstrucciones.



Nota : Los filtros obstruidos pueden causar que la potencia de succión sea baja. Para limpiar el filtro, consulte la sección LIMPIEZA/CAMBIO DE FILTROS.

SOLUCIÓN DE AVERÍAS

Revise este gráfico para encontrar soluciones simples para los problemas menores de funcionamiento. Si necesitara un servicio adicional, a excepción de los descritos en este manual del propietario, deberá realizarse en un Centro de reparación y Piezas de Sears.



AVISO

Peligro de descarga eléctrica y lesiones personales.

Desconecte la alimentación antes de reparar o limpiar la unidad. De no hacerlo podría causar peligro de descarga eléctrica o lesiones personales.

PROBLEMA	CAUSA POSIBLE	SOLUCIÓN POSIBLE
LA ASPIRADORA NO FUNCIONA	<ol style="list-style-type: none"> 1. Desenchufado de la toma de pared. 2. Interruptor en posición apagado. 3. Protector térmico activado 	<ol style="list-style-type: none"> 1. Enchufe la aspiradora firmemente, revise el interruptor/ fusible. 2. Presione el interruptor al modo suelo o alfombra. 3. Consulte "para corregir el problema", en la página 9
MAL RENDIMIENTO DE LA RECOGIDA DE SUCIEDAD	<ol style="list-style-type: none"> 1. El depósito de polvo está lleno u obstruido. 2. Correa del mezclador rota. 3. Manguera o boquilla obstruida. 4. Manguera no insertada completamente 5. Mezclador desgastado. 6. Agujero en la manguera 7. El depósito de polvo está instalado incorrectamente 8. La correa no está instalada en el eje del motor. 9. El sistema de protección del motor está activado. 10. El protector de sobrecarga del mezclador está activado 	<ol style="list-style-type: none"> 1. Vacíe el depósito de polvo y limpie los filtros 2. Cambie la correa del mezclador. 3. Limpie el área de la manguera o de la boquilla. 4. Inserte la manguera 5. Cambie el mezclador. 6. Cambie la manguera. 7. Instale correctamente el depósito de polvo 8. Instale la correa en el eje del motor 9. Revise si hay obstrucciones 10. Consulte "para corregir el problema", en la página 9.
EL POLVO SE ESCAPA DEL DEPÓSITO DE POLVO	<ol style="list-style-type: none"> 1. El depósito de polvo está incorrectamente instalado. 	<ol style="list-style-type: none"> 1. Instale correctamente el depósito de polvo.
LA LUZ NO FUNCIONA	<ol style="list-style-type: none"> 1. Bombilla fundida. 	<ol style="list-style-type: none"> 1. Cambiar la bombilla.

ACUERDOS DE PROTECCIÓN ORIGINAL

Acuerdos de protección original

Felicidades por realizar una compra inteligente. Su nuevo producto Kenmore® está diseñado y fabricado para proporcionar años de funcionamiento fiable. Pero, como todos los productos, puede requerir un mantenimiento de prevención o ciertas reparaciones en alguna ocasión. Aquí es donde tener un acuerdo de protección original puede ahorrarle dinero y molestias. Adquiera ahora un acuerdo de protección original y protéjase contra inesperadas y costosas molestias.

El acuerdo de protección original también ayuda a extender la vida de su nuevo producto. A continuación puede ver qué se incluye dentro del acuerdo:

- Experto servicio** de nuestros 12.000 profesionales y especialistas de reparación Especialistas
- Servicio gratuito ilimitado** de piezas y mano de obra en todas las reparaciones cubiertas
- Garantía "No-lemon"** – sustitución de su producto cubierto si experimenta cuatro o más averías en el producto en un plazo de doce meses
- Sustitución del producto** si su producto cubierto no puede repararse
- Revisión anual preventiva de mantenimiento** según la solicite – sin ningún recargo
- Ayuda telefónica rápida** – asistencia telefónica de los técnicos de Sears en aquellos productos que requieran la reparación en el hogar, mas un cómodo horario de reparación
- Protección contra subidas de tensión** contra los daños eléctricos debidos a las fluctuaciones de energía
- Reembolso del alquiler** si reparación de su producto cubierto tarda más del tiempo prometido

Una vez que adquiera el acuerdo, una simple llamada de teléfono será todo lo que necesite hacer para concertar una cita con el servicio. Usted puede llamar en cualquier momento del día o de la noche, o programar una cita de servicio online.

Sears tiene más de 12.000 especialistas profesionales de la reparación, que tienen acceso a más de 4,5 millones de piezas y accesorios de calidad. Esa es la clase de profesionalismo con la que usted desea contar para ayudarle a prolongar la vida de su nueva adquisición. ¡Adquiera su acuerdo de protección original hoy mismo!

Se aplicarán ciertas limitaciones y exclusiones. Para obtener información adicional acerca de nuestros precios, llame al 1-800-827-6655.

Servicio de instalación Sears

Para contratar el servicio de instalación profesional de Sears en electrodomésticos, cierres de puertas de garaje, calentadores de agua, y otros importantes artículos domésticos, en EE.UU. llame al **1-800-4-MY-HOME®**

Get it fixed, at your home or ours!

Your Home

For repair – **in your home** – of **all** major brand appliances, lawn and garden equipment, or heating and cooling systems, **no matter who made it, no matter who sold it!**

For the replacement parts, accessories and owner's manuals that you need to do-it-yourself.

For Sears professional installation of home appliances and items like garage door openers and water heaters.

1-800-4-MY-HOME[®] Anytime, day or night
(1-800-469-4663) (U.S.A. and Canada)
www.sears.com www.sears.ca

Our Home

For repair of carry-in products like vacuums, lawn equipment, and electronics, call or go on-line for the nearest **Sears Parts and Repair Center.**

1-800-488-1222 Anytime, day or night (U.S.A. only)
www.sears.com

To purchase a protection agreement (U.S.A.) or maintenance agreement (Canada) on a product serviced by Sears:

1-800-827-6655 (U.S.A.) **1-800-361-6665** (Canada)

Para pedir servicio de reparación a domicilio, y para ordenar piezas: Au Canada pour service en français:

1-888-SU-HOGARSM
(1-888-784-6427)

1-800-LE-FOYER^{MC}
(1-800-533-6937)
www.sears.ca

The Sears logo is written in a stylized, bold, serif font. The letter 'S' is particularly large and prominent. Below the main text, there is a horizontal line that tapers at both ends, resembling a swoosh or a stylized underline.

© Sears, Roebuck and Co.

© Registered Trademark / TM Trademark / SM Service Mark of Sears, Roebuck and Co.

© Marca Registrada / TM Marca de Fábrica / SM Marca de Servicio de Sears, Roebuck and Co.

^{MC} Marque Déposée / ^{MC} Marque de Commerce / ^{MC} Marque de Service de Sears, Roebuck and Co. Download from www.sears.com. See Manuals Search and Download.

Free Manuals Download Website

<http://myh66.com>

<http://usermanuals.us>

<http://www.somanuals.com>

<http://www.4manuals.cc>

<http://www.manual-lib.com>

<http://www.404manual.com>

<http://www.luxmanual.com>

<http://aubethermostatmanual.com>

Golf course search by state

<http://golfingnear.com>

Email search by domain

<http://emailbydomain.com>

Auto manuals search

<http://auto.somanuals.com>

TV manuals search

<http://tv.somanuals.com>