

Kenmore

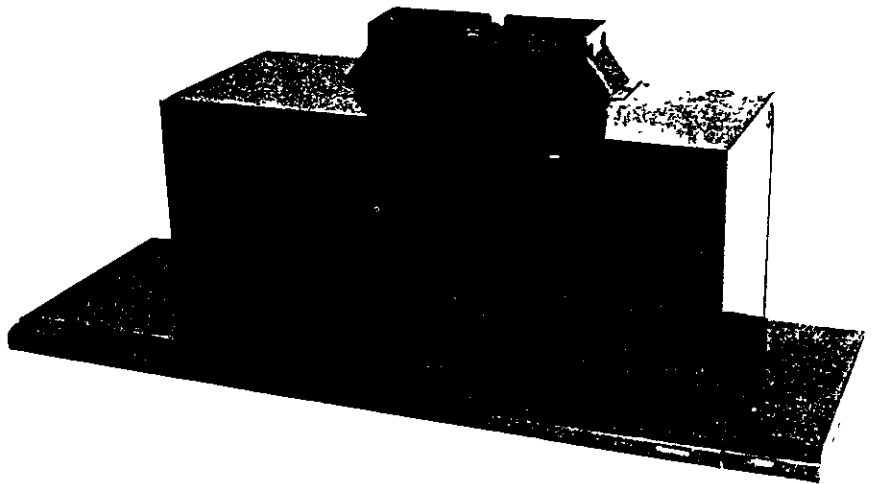
**installation instructions  
owners manual and repair parts list**

**Kenmore  
GLIDE AWAY  
RANGE HOOD**

**MODEL NUMBER**

**233.5998090**

**233.5998010**



**IMPORTANT** Read instructions carefully for safe installation and operation

**SAVE THIS MANUAL FOR  
FUTURE REFERENCE**

**Kenmore. Solid as SEARS**  
Sold by Sears, Roebuck and Co., Chicago, IL 60684

# SERVICE PARTS

Kenmore Range Hood - Model 233.5998090 Black  
Model 233.5998010 White

## Cleaning

**WARNING**  
**ALWAYS DISCONNECT ELECTRIC POWER SUPPLY**  
**BEFORE SERVICING HOOD.**

Use a mild detergent suitable for painted surfaces. DO NOT USE ABRASIVE CLOTH, STEEL WOOL PADS, OR SCOURING POWDERS. Vacuum blower to clean. Do not immerse blower in water.

Wash the foam filter in a mild detergent solution.

The drawer assembly and light lens are easily removable for cleaning. DO NOT put drawer assembly in dishwasher.

## Light Bulb Replacement

Your hood uses an F20T12 fluorescent tube and an FS-2 starter, which are available at most hardware stores or home centers.

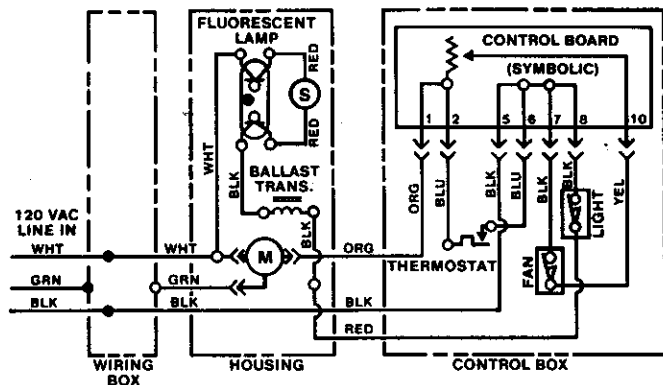
If the tube flickers or does not light, check the prongs on the ends of the tube to make sure they are properly seated in the tube holders.

If the tube continues to flicker or does not light, replace the tube. Slide the tube into the holders and rotate the tube so that the prongs in the holders grip the tube and hold it in place.

If the ends of the tube light but the center does not, the starter may require replacement. The starter is located behind the filter panel on the right hand side. Install the new starter by pushing the starter in and turning it clockwise.

If the tube still does not light, order a 99270651 Ballast Transformer available through Sears stores or through Sears Catalog.

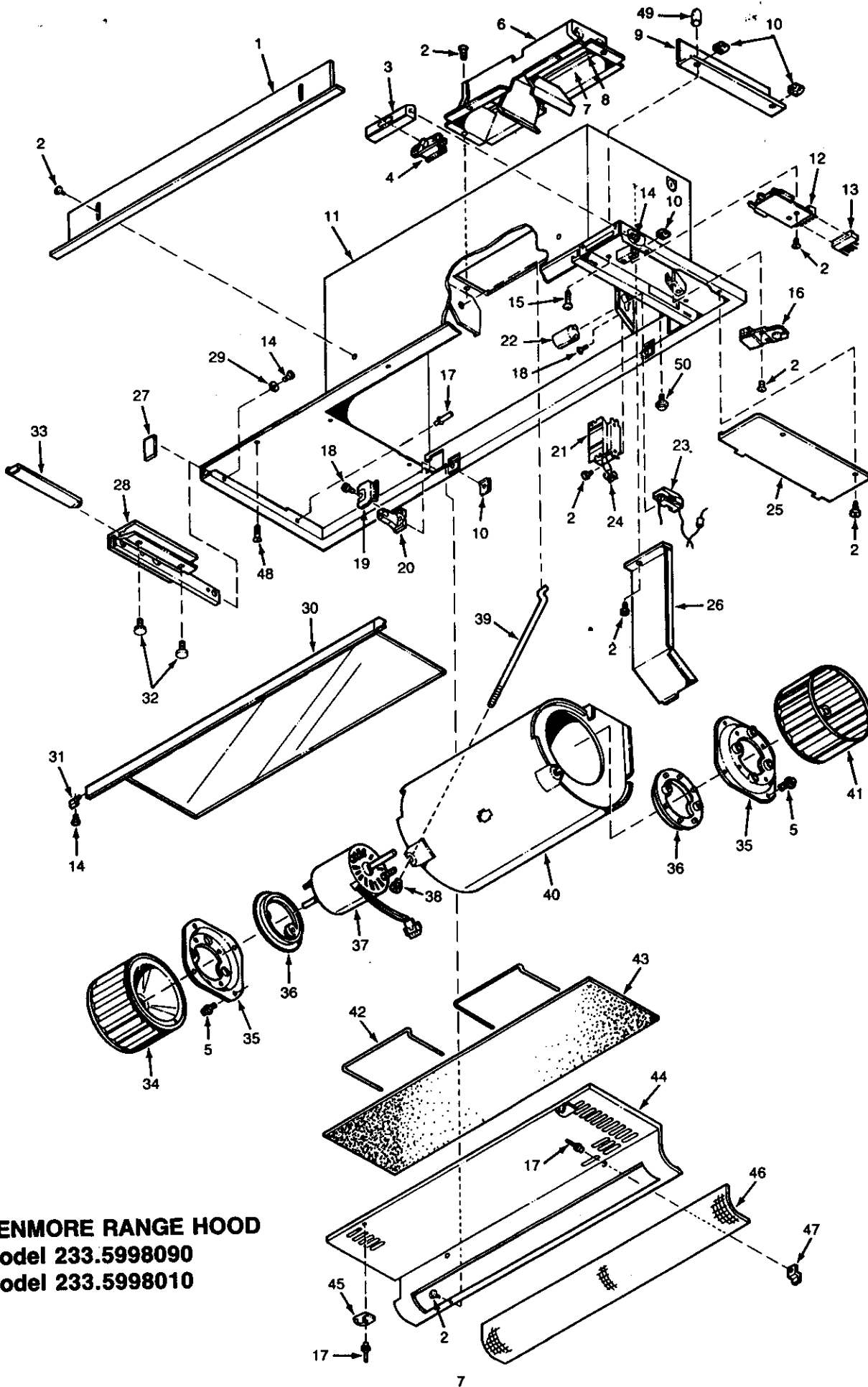
## WIRING DIAGRAM



KEY NO.	BLACK PART NO.	WHITE PART NO.	DESCRIPTION
1	98006940	98007168	Front Trim
2	99150526	99150478	Screw #8-18 x 3/8 (14 Required)*
3	99090677	99090697	Control Trim
4	99360133	99360140	Control Knob
5	99170245	99170245	Screw #8-18 x 3/8 (8 Required)*
6	97006078	97006078	Damper Assembly (Includes Key Nos. 7 & 8)
7	98005221	98005221	Damper Flap
8	99100379	99100379	Damper Bushing
9	97008644	97008981	RH Mounting Bracket (Includes Key No.10)
**	97008641	97008982	LH Mounting Bracket (Includes Key 10)
10	93260454	93260454	#8 Sheet Metal Nut "U" Type (11 Required)
11	97009121	97009122	Canopy
12	97008578	97008578	Control Board
13	97008618	97008618	Control Harness
14	99160344	99160344	Screw #8-32 x 3/16 (5 Required)*
15	99150538	99150538	Screw #8-18 x 2 (4 Required)*
**	99150537	99150537	Screw #8-18 x 1 (4 Required)*
16	97008594	97008594	Switch Assembly
17	99230345	99230342	Rivet (17 Required)
18	99160319	99160319	Screw #6-32 x 3/8 (4 Required)*
19	98005860	98005860	Lampholder Bracket (2 Required)
20	99270550	99270550	Lampholder (2 Required)
21	99270651	99270651	Ballast Transformer
22	99270553	99270553	Starter FS-2*
23	97008619	97008619	Light Harness
24	99400042	99400042	Strain Relief Bushing SR-4N-4 (2 Required)
25	98006937	98007164	Access Cover
26	98006938	98006938	Wire Box Cover
27	99100463	99100463	Drawer Stop (2 Required)
28	97008971	97008979	LH Drawer Bracket Assembly (Includes Key Nos. 32 & 33)
**	97008970	97008978	RH Drawer Bracket Assembly (Includes Key Nos. 32 & 33)
29	99250932	99250932	Washer (2 Required)*
30	97009118	97009119	Drawer Assembly (Includes Key Nos. 14 & 31)
31	99110683	99110699	Drawer End Cap
32	99420508	99420514	Thumb Screw (4 Required)
33	98007155	98007155	Drawer Clamp (2 Required)
34	99020139	99020139	Blower Wheel, Counterclockwise
35	98005212	98005212	Motor Retaining Ring (2 Required)
36	99100406	99100406	Rubber Motor Mount (2 Required)
37	99080140	99080140	Motor
38	99260476	99260476	Blower Mounting Rod Nut (2 Required)
39	99420464	99420464	Blower Mounting Rod (2 Required)
40	97007314	97007314	Blower Scroll Housing
41	99020138	99020138	Blower Wheel, Clockwise
42	99140156	99140156	Filter Spring (2 Required)
43	99010175	99010175	Filter Foam
44	97008593	97008983	Filter Panel
45	98006352	98006352	Filter Clip (2 Required)
46	99050018	99050018	Light Lens
47	99390066	99390066	Lens Clip (2 Required)
48	99150492	99150492	Screw #8-18 x 1/2 (2 Required)*
49	99100408	99100464	Plastic Cap (4 Required)
50	99150471	99150471	Screw #10-32 x 1/2 Green (2 Required)
**	97008628	97008628	Green Wire Assembly
**	97005985	97005985	Complete Blower Assembly (Includes Key Nos. 5, 34, 35, 36, 37, 40,41)
**			Fluorescent Light Tube F20T12* (Not included)
**	99041328	99041328	Instruction Book

\*Standard Hardware. May be purchased locally.

\*\*Not illustrated.



**KENMORE RANGE HOOD**  
**Model 233.5998090**  
**Model 233.5998010**

## Free Manuals Download Website

<http://myh66.com>

<http://usermanuals.us>

<http://www.somanuals.com>

<http://www.4manuals.cc>

<http://www.manual-lib.com>

<http://www.404manual.com>

<http://www.luxmanual.com>

<http://aubethermostatmanual.com>

Golf course search by state

<http://golfingnear.com>

Email search by domain

<http://emailbydomain.com>

Auto manuals search

<http://auto.somanuals.com>

TV manuals search

<http://tv.somanuals.com>