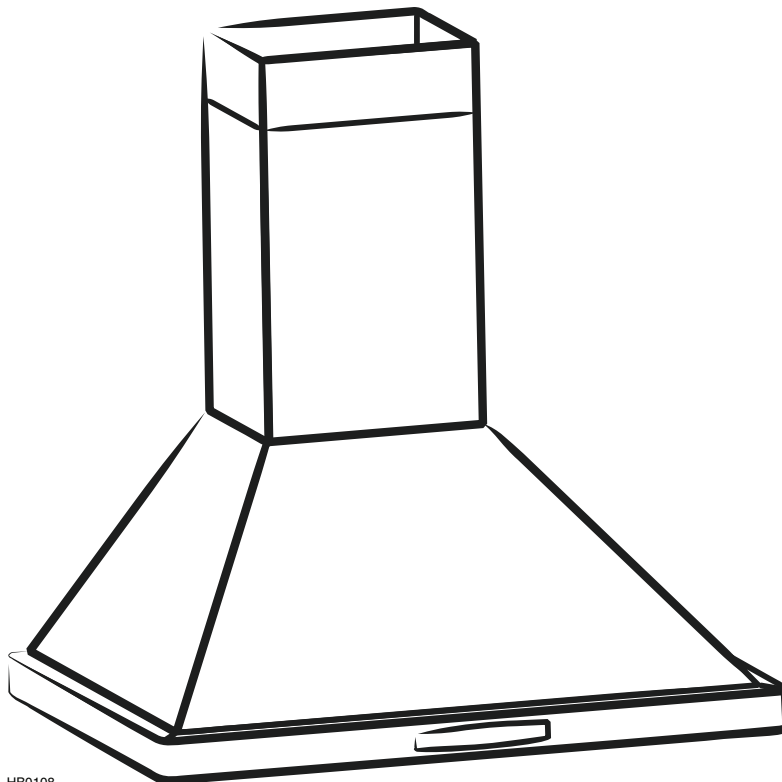




Range Hood

Use & Care Guide
Installation Manual

Models 31130 (30" wide - Stainless)
31133 (36" wide - Stainless)



HB0108

ENGLISH

READ AND SAVE THESE INSTRUCTIONS

TABLE OF CONTENTS

| SECTION..... | PAGE(S) |
|------------------------------------|---------|
| Warranty | 2 |
| Safety Instructions | 2 |
| Operation..... | 3 |
| Cleaning | 3 |
| Parts Included With Hood..... | 4 |
| Parts Not Included With Hood | 4 |
| Tools Needed | 4 |
| Range Hood System | 5 |
| Equivalent Duct Length Chart..... | 6 |
| Select Installation Type | 7 |
| Wiring Installation | 8 |
| Prepare the Hood | 9-10 |
| Install the Hood..... | 11-12 |
| Finalize the Installation | 12-13 |
| Installing Grease Filters..... | 13 |
| Changing Light Bulbs | 13 |
| Service Parts | 14 |

WARRANTY

Full One Year Warranty Including Parts and Labour

For one year from the date of purchase, when the range hood is installed and operated in Canada, in accordance with the instruction in the Owners Manual and Installation Instructions, Sears Canada Inc. ("Sears") will repair, or replace at its option, mechanical or electrical parts, if defective in material and workmanship, and perform any necessary adjustments at no charge.

NORMAL RESPONSIBILITY OF THE CONSUMERS

The following are not covered by this warranty:

1. Parts and service resulting from damage caused by accident, negligence or commercial usage.
2. Parts and service required as a result of defective or inadequate fusing or house wiring.
3. Parts and service required as a result of fire, flood or Acts of God.

SEARS CANADA INC. TORONTO, ONTARIO M5B 2B8 1-800-4MY-HOME

SEARS MAINTENANCE AGREEMENT

Sears Maintenance Agreement... your way to buy tomorrow's services at today's prices... and Sears Service is nationwide.

Maintain the value of your Kenmore range hood with a Sears Maintenance Agreement. Sears range hoods as designed, manufactures and tested for years of dependable operation. Yet, any modern appliance may require service from time to time.

Sears maintenance Agreement

Eliminates large or small repair bills resulting from normal use.

Allows for as many service calls as required.

Provides for service by professional Sears-Trained Technicians.

This Maintenance Agreement does not cover original installation, reinstallation or damage resulting from external causes such as acts of abuse, theft, fire, flood, wind, lightning, freezing, power failure, power reduction, etc.

SEARS CANADA INC.

222 Jarvis Street, Toronto, Ontario, Canada M5B 2B8
1-800-4MY-HOME

SAFETY INSTRUCTIONS

⚠ INTENDED FOR DOMESTIC COOKING ONLY ⚠

WARNING ⚡ ⚠

TO REDUCE THE RISK OF FIRE, ELECTRIC SHOCK, OR INJURY TO PERSONS, OBSERVE THE FOLLOWING:

1. Use this unit only in the manner intended by the manufacturer. If you have questions, contact the manufacturer at the address listed in the warranty.
2. Before servicing or cleaning unit, switch power off at service panel and lock the service disconnecting means to prevent power from being switched on accidentally. When the service disconnecting means cannot be locked, securely fasten a prominent warning device, such as a tag, to the service panel.
3. Installation work and electrical wiring must be done by qualified personnel in accordance with all applicable codes and standards, including fire-rated codes and standards.
4. Sufficient air is needed for proper combustion and exhausting of gases through the flue (chimney) of fuel burning equipment to prevent backdrafting. Follow the heating equipment manufacturer's guideline and safety standards such as those published by the National Fire Protection Association (NFPA), and the American Society for Heating, Refrigeration and Air Conditioning Engineers (ASHRAE), and the local code authorities.
5. When cutting or drilling into wall or ceiling, do not damage electrical wiring and other hidden utilities.
6. Do not use this range hood with any additional solid state speed control device.
7. Ducted fans must always be vented to the outdoors.
8. To reduce the risk of fire, use only metal ductwork.
9. When performing installation, servicing or cleaning the unit, it is recommended to wear safety glasses and gloves.
10. This unit must be grounded. To provide protection against electric shock, connect to properly grounded outlets only.
11. Inspect ducting at least every 12 months or after every range top fire in order to detect any risky conditions.
12. When applicable local regulations comprise more restrictive installation and/or certification requirements, the aforementioned requirements prevail on those of this document and the installer agrees to conform to these at his own expenses.

TO REDUCE THE RISK OF A RANGE TOP GREASE FIRE:

1. Never leave surface units unattended at high settings. Boilovers cause smoking and greasy spillovers that may ignite. Heat oils slowly on low or medium settings.
2. Always turn hood ON when cooking at high heat or when flambeing food (i.e.: Crêpes Suzette, Cherries Jubilee, Peppercorn Beef Flambé).
3. Clean ventilating fan frequently. Grease should not be allowed to accumulate on fan or filters.
4. Use proper pan size. Always use cookware appropriate for the size of the surface element.

WARNING ⚡ ⚠

TO REDUCE THE RISK OF INJURY TO PERSONS IN THE EVENT OF A RANGE TOP GREASE FIRE, OBSERVE THE FOLLOWING:

1. SMOTHER FLAMES with a close-fitting lid, cookie sheet, or metal tray, then turn off the burner. BE CAREFUL TO PREVENT BURNS. If the flames do not go out immediately, EVACUATE AND CALL THE FIRE DEPARTMENT.
2. NEVER PICK UP A FLAMING PAN - You may be burned.
3. DO NOT USE WATER, including wet dishcloths or towels - This could cause a violent steam explosion.
4. Use an extinguisher ONLY if:
 - A. You know you have a Class ABC extinguisher and you already know how to operate it.
 - B. The fire is small and contained in the area where it started.
 - C. The fire department is being called.
 - D. You can fight the fire with your back to an exit.

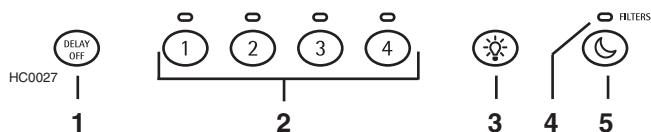
*Based on "Kitchen Fire Safety Tips" published by NFPA.

CAUTION ⚠

1. For indoor use only.
2. For general ventilating use only. Do not use to exhaust hazardous or explosive materials and vapors.
3. To avoid motor bearing damage and noisy and/or unbalanced impellers, keep drywall spray, construction dust, etc. off power unit.
4. Your hood motor has a thermal overload which will automatically shut off the motor if it becomes overheated. The motor will restart when it cools down. If the motor continues to shut off and restart, have the hood serviced.
5. For best capture of cooking impurities, the bottom of the hood should be a minimum of 24" and a maximum of 30" above the cooking surface.
6. Two installers are recommended because of the large size and weight of this hood.
7. To reduce the risk of fire and to properly exhaust air on a ducted installation, be sure to duct air outside. Do not exhaust air into spaces within walls or ceiling or into attics, crawl spaces, or garage.
8. This product is equipped with a thermostat which may start blower automatically. To reduce the risk of injury and to prevent power from being switch on accidentally, switch power off at service panel and lock or tag service panel.
9. Because of the high exhausting capacity of this hood, you should make sure enough air is entering the house to replace exhausted air. Open a window close to or in the kitchen.
10. To reduce the risk of fire and electric shock, the Kenmore Elite hood should only be installed with its own built-in blower.
11. Please read specification label on product for further information and requirements.

OPERATION

Always turn ON your hood before you begin cooking in order to establish an air flow in the kitchen. Let the blower run for a few minutes to clear the air after you turn off the range. This will help keep the whole kitchen cleaner and brighter.



1. Blower Delay switch
2. ON/OFF Blower speed switches
3. Halogen lights switch
4. Filter maintenance indicator
5. Nightlight switch

Delay OFF switch

When a speed is selected, press the Delay OFF switch to activate the delay function. The corresponding speed indicator LED will start flashing to indicate this function is activated. The fan will continue to operate for 5 minutes and will stop automatically. To cancel the delay function, press the Delay OFF switch once again; the blower will then work in normal mode.

NOTE: The blower speed can be increased or decreased during Delay mode without starting another 5-minute cycle.

ON/OFF Blower speed switches

Press the switch corresponding to the desired blower speed. The light over the switch indicates the selected speed (from 1 for low speed to 4 for high speed). To turn off the blower, press once more on the corresponding blower speed switch.

HEAT SENTRY™

Your hood is equipped with a HEAT SENTRY thermostat. This thermostat is a device that will turn on or speed up the blower if it senses excessive heat above the cooking surface. The light indicator over speed 3 switch will quickly flash.

- 1) If blower is OFF - it turns blower ON to speed 3.
- 2) If blower is ON at a lower (or higher) speed setting - it turns blower to speed 3.

When the temperature level drops to normal, the blower will return to its original setting and the light indicator over speed 3 switch will stop flashing.



WARNING: The HEAT SENTRY thermostat can start the blower even if the hood is turned OFF. When this occurs, press the speed 3 switch until its light indicator stops flashing if you must stop the blower.

Halogen lights switch

This switch provides 3 different lighting levels, according to your needs. The lighting intensity changes by increments of 1 (i.e.: press once for low intensity, once again to get more, up to three times). From the higher intensity, press once again to shut off the lights.

Uses 120 Volts, 50 W, MR 16 with GU10 base or PAR 16 with GU10 base, shielded halogen bulbs (included).



WARNING: In order to prevent the risk of personal injury, do not install a lamp identified for use only in enclosed fixtures.

Filter maintenance indicator

After 24 hours of operation, the filter maintenance light indicator will start blinking. This indicates the filters need to be cleaned in order to maintain efficient operation of the unit. The indicator light will blink until the function is reset by pressing the nightlight switch for 3 seconds.

OPERATION

Nightlight switch

Press this switch once to turn on the nightlight. Press this switch once more to shut off the nightlight.

CLEANING

Grease filters

The grease filters should be cleaned frequently. Use a warm detergent solution. Grease filters are dishwasher safe.

Wash more often if your cooking style generates greater grease - like frying foods or wok cooking.

Remove filters by pulling latch tabs and rotating filters downward.

Hood Cleaning

Stainless steel cleaning: How to maintain its "BRIGHT LOOK"

Do:

- Regularly wash surfaces with clean cloth or rag soaked with warm water and mild soap or liquid dish detergent.
- Always clean in the direction of original polish lines.
- Always rinse well with clear water (2 or 3 times) after cleaning. Wipe dry completely.
- You may also use a specialized household stainless steel cleaner.

Don't:

- Do not use any steel or stainless steel wool or any other scrapers to remove stubborn dirt.
- Do not use any harsh or abrasive cleaners.
- Do not allow dirt to accumulate.
- Do not let plaster dust or any other construction residues reach the hood. During construction/renovation, cover the hood to make sure no dust sticks to stainless steel surface.

Avoid: when choosing a detergent

- Any cleaners that contains **bleach** will attack stainless steel.
- Any products containing: **chloride, fluoride, iodide, bromide** will deteriorate surfaces rapidly.
- Any combustible products used for cleaning such as **acetone, alcohol, ether, benzol**, etc., are highly explosive and should not be used close to a range.

Warranty

Safety

Operation

Cleaning

Installation

Service Parts

PARTS INCLUDED WITH HOOD



HR0010

Aluminum grease filters
(2 per hood)



HR0051

Parts Bag including:
5 no. 8 x 1½" countersunk screws
8 no. 8 x ¾" screws
6 no. 8 x ⅜" screws
6 Drywall anchors
3 Washers



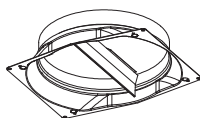
HR0012

120 V, 50 W, PAR 16 with GU10 base shielded halogen lamp
(2 per hood)
Sears Part No. V05921



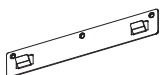
HR0011

¾" x 10" adapter/damper
(for horizontal discharge)



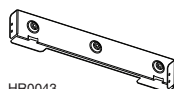
HR0041

8" round adapter/damper
(for vertical discharge), in a separate box



HR0042

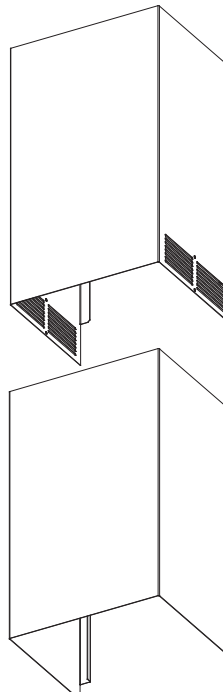
Hood mounting bracket



HR0043

Upper flue mounting bracket

PARTS INCLUDED WITH HOOD



HR0044

Decorative flue assembly
(lower and upper flues)

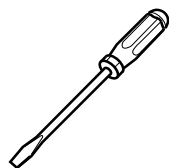
PARTS NOT INCLUDED WITH HOOD

Ducting Accessories

(See "Range Hood System" on page 5 for Ducting Accessory Model Nos.)

Optional flue extension for 10-ft. ceilings (model no. 31131)

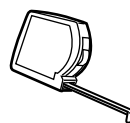
TOOLS NEEDED FOR HOOD INSTALLATION



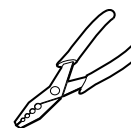
Screwdriver
(Robertson or Phillips)



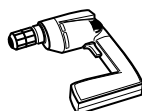
Pencil



Tape Measure



Wire Stripper



Drill



Sabre Saw

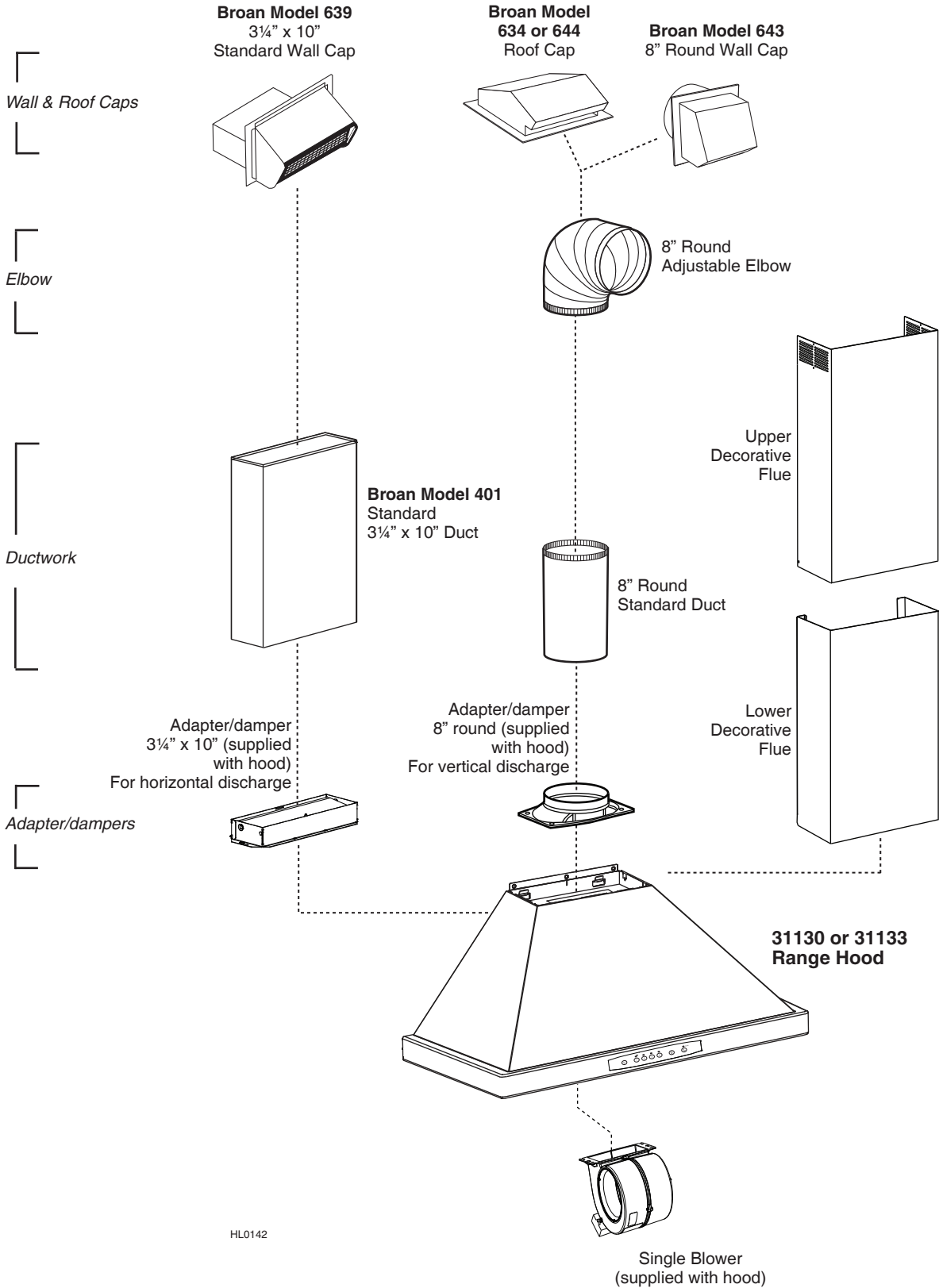


-or- Keyhole Saw



Duct Tape

RANGE HOOD SYSTEM



Warranty

Safety

Operation

Cleaning

Installation

Service Parts

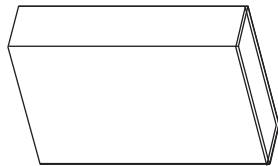
EQUIVALENT DUCT LENGTH CHART

Kenmore range hoods are designed to perform efficiently when attached to long runs of duct. As a point of reference, this hood will function at approximately 80% of its rated air performance when 300 equivalent feet of 8" round ductwork is attached. Use this chart to calculate the equivalent duct length of your system. Note that 8" round is the minimum recommended duct size.



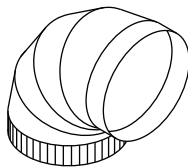
HR0047

Straight Duct
8-in. round x 2-ft. long
Equivalent length
2 ft.



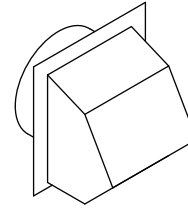
HR0045

Broan Model 401
Straight Duct
3¼" x 10" x 1 ft. long
Equivalent length
4 ft.



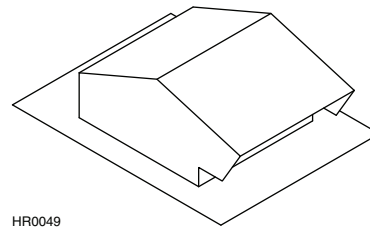
HR0046

8-in. Round Elbow
Equivalent length
10 ft.



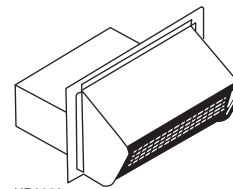
HR0048

Broan Model 643
8-in. Round Wall Cap
Equivalent length
30 ft.
(15-ft. w/o damper)



HR0049

Broan Model 634 or 644
8-in. Round Roof Cap
Equivalent length
30 ft. (7-ft. w/o damper)



HR0050

Broan Model 639
3¼" x 10" Wall Cap
Equivalent length
90 ft.
(14-ft. w/o damper)

SELECT INSTALLATION TYPE

1. Plan where and how the ductwork will be installed. Install proper-sized ductwork, transition(s), elbow(s), and roof or wall cap.

For best results, use a minimum number of transition and elbows.

2. **The minimum hood distance above cooktop must not be less than 24". A maximum of 30" above cooktop is highly recommended for best capture of cooking impurities.**

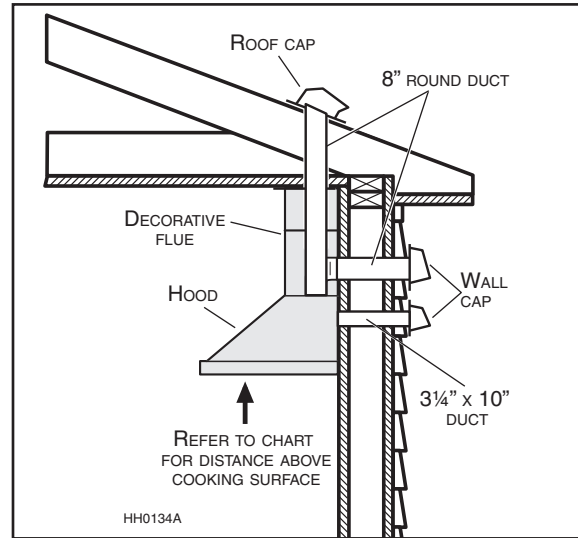
Distances over 30" are at the installer and users discretion; providing that ceiling height and decorative flue length permit.

NOTE

There are 2 different heights for the horizontal ductwork. Refer to page 8 for more details.

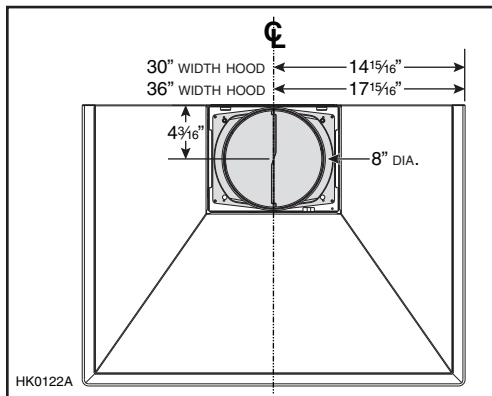
| CEILING HEIGHT | MINIMUM HOOD DISTANCE ABOVE COOKTOP |
|----------------|-------------------------------------|
| 8 FEET | 24" |
| 9 FEET | 29½" |
| 10 FEET | 25" |

*10-ft. ceilings require flue extension model no. 31131 (sold separately).

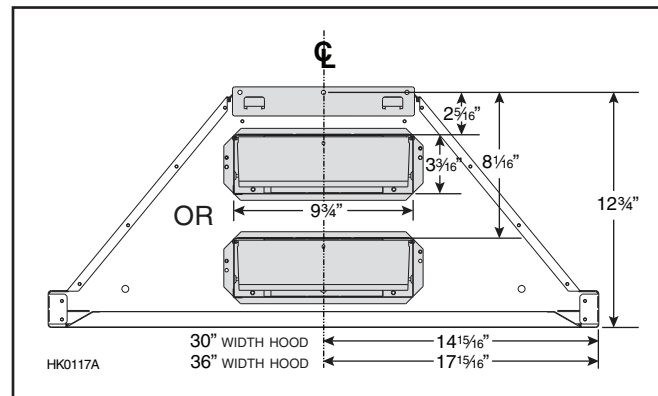


Refer to illustrations below to locate duct opening according to discharge type chosen (grey parts to be installed later).

VERTICAL DISCHARGE



HORIZONTAL DISCHARGE



Warranty

Safety

Operation

Cleaning

Installation

Service Parts

WIRING INSTALLATION

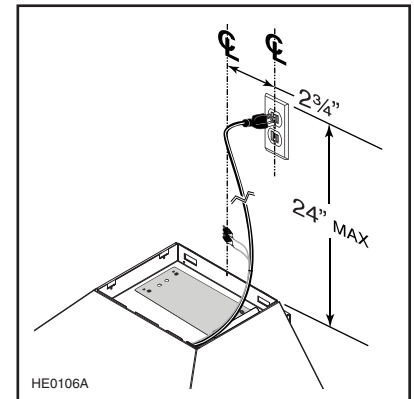


WARNING: Improper grounding can result in a risk of electric shock. Consult a qualified electrician if the grounding instructions are not completely understood, or if doubt exists as to whether the appliance is properly grounded. Do not use an extension cord. If the power supply cord is too short, have a qualified electrician install an outlet near the appliance, in accordance with all applicable codes and standards. Turn off electrical power at service entrance before wiring.

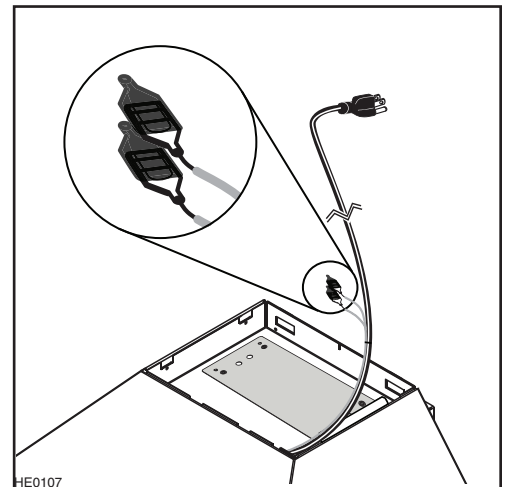
GROUNDING INSTRUCTIONS

This appliance must be grounded. In the event of an electrical short circuit, grounding reduces the risk of electric shock by providing an escape wire for the electric current. This appliance is equipped with a cord having a grounding wire with a grounding plug. The plug must be plugged into an outlet that is properly installed and grounded.

Position the outlet within the space covered by the decorative flue. Place the outlet at a maximum distance of 24" (from where the cord exits from the hood). The center of the outlet must be positioned at 2 $\frac{3}{4}$ " from the center of the future hood location (as illustrated beside). Make sure this does not interfere with a mounting bracket fastening area or with the decorative flue (where the flue touches the wall).



CAUTION: The BLUE wires are for a make-up air device option (not available in Canada). Never remove the caps on the BLUE wires end.



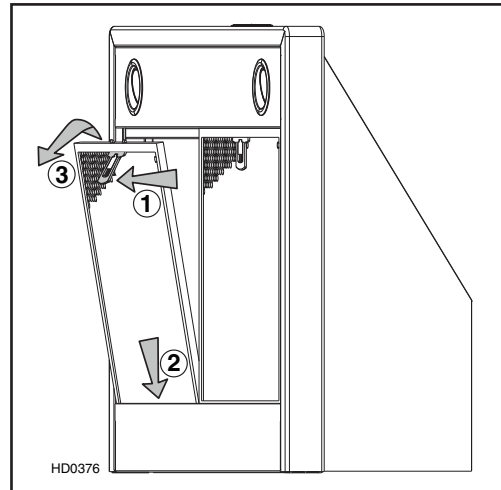
PREPARE THE HOOD

1. Lay the hood on its back on a table.

Remove grease filters by lifting the metal latch tab (1), pushing down on the filter (2) and tilting it towards you (3).

NOTE

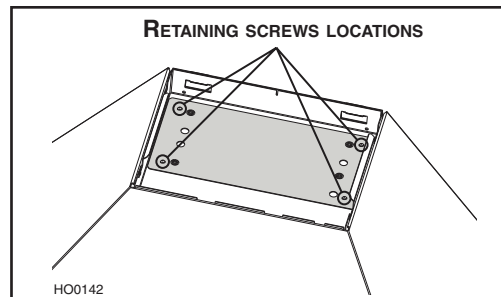
Use a piece of cardboard to avoid damaging the table or the hood.



2. Choose the opening:

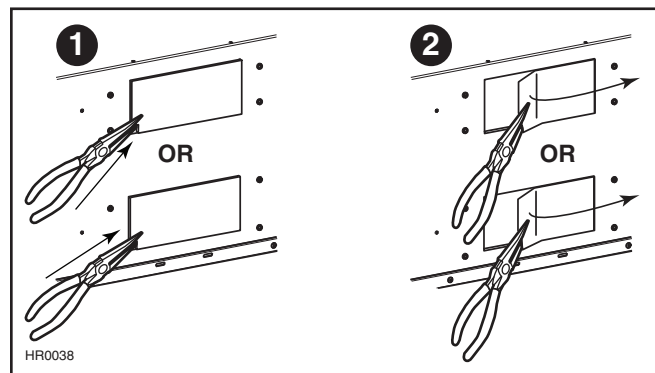
VERTICAL DISCHARGE:

Using a Robertson or a Phillips no. 2 screwdriver, remove the 4 top metal plate retaining screws in order to clear the vertical discharge opening (see illustration beside). Discard the metal plate and its screws.



HORIZONTAL DISCHARGE:

In order to ease a retrofit installation, the horizontal discharge may be positioned on higher OR on lower back of the hood. From outside the unit, remove the knockout for the chosen discharge opening (see illustrations beside).



Warranty

Safety

Operation

Cleaning

Installation

Service Parts

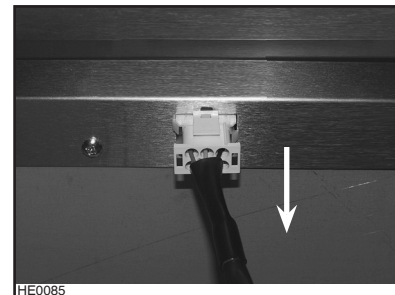
PREPARE THE HOOD

NOTE

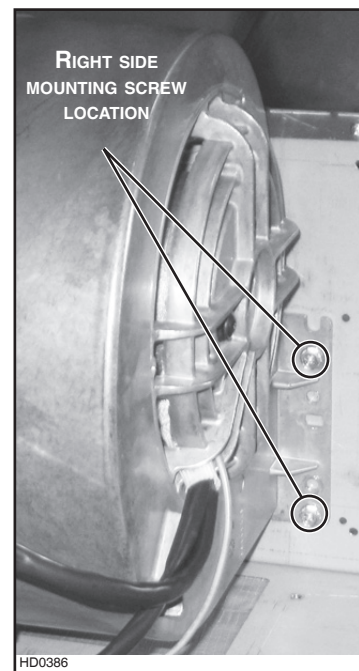
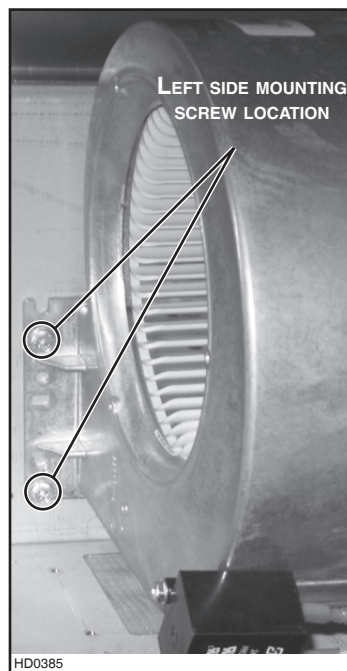
The following instructions are for the horizontal installation only. For a vertical installation, go to the "Install the hood" section on page 11.

These Kenmore Elite Series range hoods are factory shipped with the blower mounted for a vertical discharge configuration. For a horizontal discharge configuration, disassemble the blower from the inner top of the hood (see illustrations below). It will be assembled to the inner back of the hood once the hood is mounted on the wall.

3. Unplug the blower.



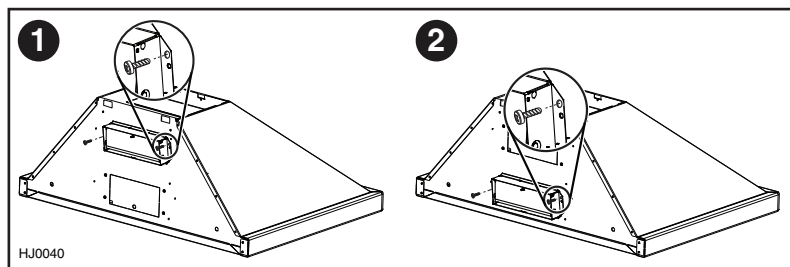
4. Using a 5/16" socket, or a Robertson or a Phillips no. 2 screwdriver, remove all blower mounting screws from the inner top of the hood. Set aside the blower and its screws.



NOTE

If this hood replaces another one, please note that the location of the air exhaust can vary from one manufacturer to another. In order to ease a retrofit installation, the horizontal discharge may be positioned on higher OR on lower back of the hood.

5. According to your needs, the adapter/damper can be installed to the higher or lower back discharge using the upper screw holes on each side of the adapter/damper. See illustrations beside.



6. Secure the adapter/damper to the back of the hood using 2 no. 8 x 3/8" screws (included). Seal the adapter/damper to the hood using metal foil duct tape.

NOTE

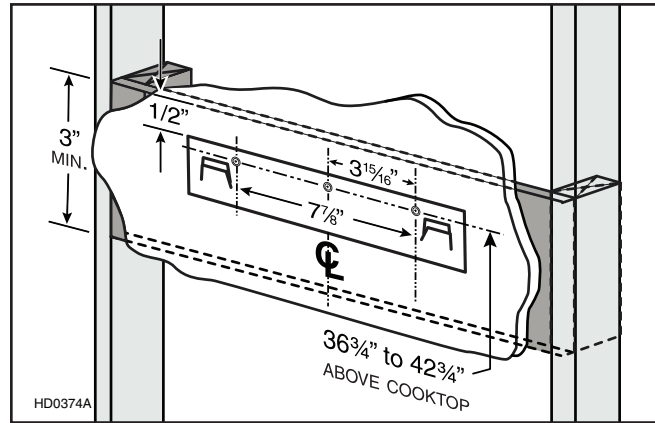
The wall ducting must be properly prepared to receive the adapter. Before performing the installation, make sure the adapter fits easily in the duct.

INSTALL THE HOOD



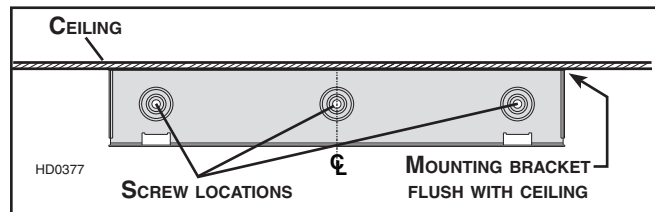
WARNING: When cutting or drilling into wall, do not damage electrical wiring and other hidden utilities.

1. Construct wood wall framing that is flush with surface of wall studs.
Wood wall framing must be at least 1/2" thick and 3" high. Ensure to assemble wood wall framing to wall studs for a solid installation.
Ensure the height of the framing will allow the mounting bracket to be secured to the framing within the dimensions shown (see illustration beside).
After wall surface is finished, carefully center and level the hood mounting bracket over installation location. Secure it to wall framing using 3 no. 8 x 1/2" screws.
Using a level, draw a vertical line up to the ceiling starting from the mounting bracket center.



36³/₄" = BOTTOM OF HOOD 24" ABOVE COOKTOP
42³/₄" = BOTTOM OF HOOD 30" ABOVE COOKTOP

2. Center the upper flue mounting bracket with the center line previously drawn and place it flush with the ceiling.
Use the upper flue mounting bracket as a template to mark the position of its screws.
Drill the 3 screw holes using a 3/16" drill bit.
Insert the included drywall anchors into the drilled holes (1 per hole).
Secure the upper flue bracket to the wall using 3 no. 8 x 3/4" screws.
Ensure that the bracket is tight against the wall.

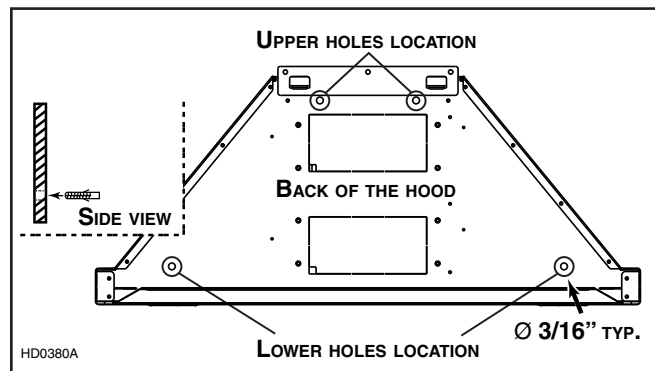


WARNING: BE CAREFUL when installing the decorative flue and hood, they may have sharp edges.



CAUTION: DO NOT REMOVE the protective plastic film covering the decorative flue (upper & lower).

3. Align the hood and center it above the hood mounting bracket. Gently lower the hood until it securely engages the bracket.
Level the hood.
With the hood hanging in place, secure it to the wall through both holes located in the inside upper back of hood using 2 no. 8 x 1/2" screws.
Drill through both holes located in the inside lower back of hood using a 3/16" drill bit. Insert the included drywall anchors into the drilled holes (one for each hole). Secure the hood to the wall using 2 no. 8 x 3/4" screws and 2 washers.

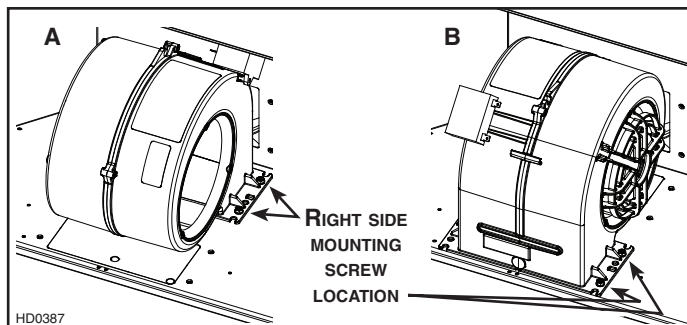


HORIZONTAL DISCHARGE ONLY:

4. Position the blower on the higher (A) or lower (B) back wall discharge as determined previously.
Using a 5/16" socket, or a Robertson or a Phillips no. 2 screwdriver and the 4 previously removed screws, secure the blower to the hood.

NOTE

In order to ease installation, before mounting the blower, prepare the screw holes by screwing all 4 screws without the blower, then remove and mount the blower.



5. Plug the blower back in and plug hood power cord into the outlet.

Warranty

Safety

Operation

Cleaning

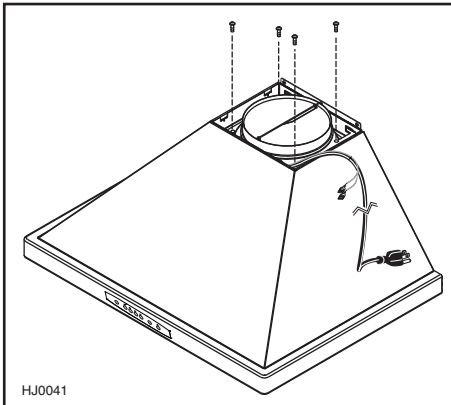
Installation

Service Parts

INSTALL THE HOOD

VERTICAL DISCHARGE ONLY:

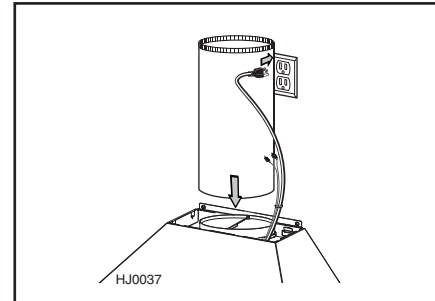
6. Mount the 8" round adapter/damper (included in a separate box) to the hood using 4 no. 8 x 3/8" sheet metal screws (included).



INSTALL THE HOOD

VERTICAL DISCHARGE ONLY:

7. Plug hood power cord into the outlet. Slide a 8" metal round duct over the adapter/damper. Use metal foil duct tape to seal the joint.

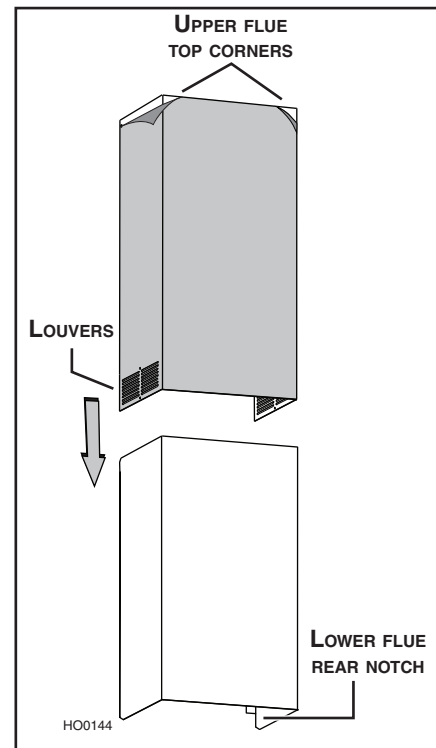


FINALIZE THE INSTALLATION

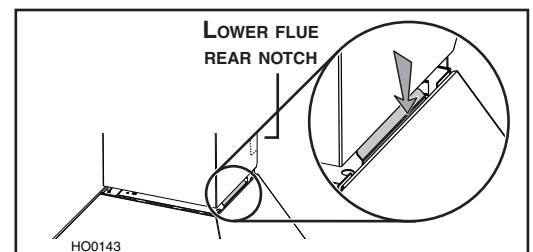
1. Remove protective plastic film covering the lower flue only. Peel off both corners at the top of the upper flue. Position the lower flue rear notches down (the ones with the 45° angle). Gently slide upper flue inside lower flue, louvers end first (so that louvers are hidden inside lower flue, as they are not needed).

NOTE

Both lower and upper flues are included with the hood, but for a 10 foot ceiling, discard the provided upper flue and use the optional extension flue, part no. 31131 (purchase separately).



2. Carefully slide in place decorative flue base (notches end first) between the shaded part and the exterior wall of the top of the hood.



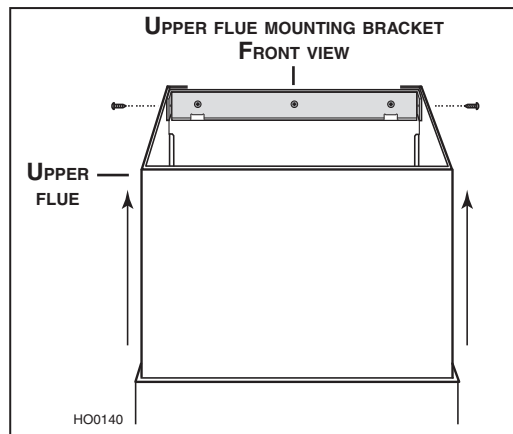
FINALIZE THE INSTALLATION

- Slide up the upper flue until it is aligned with its mounting bracket. The bracket must be inside the flue. Secure the upper flue to its bracket using 2 no. 8 x 3/8" screws (included). See illustration beside.

NOTE

Duct not shown in illustration to ease understanding.

- Remove protective plastic film covering the upper flue.

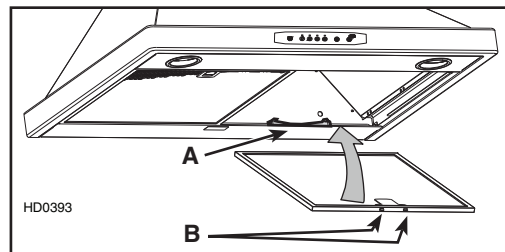


Warranty

Safety

INSTALLING GREASE FILTERS

Rest rear filters edge on filter springs (A) in the range hood. Using metal latch tab, tilt up the filters into position. Make sure filter tabs (B) are securely engaged in range hood front edge after installation.



Operation

CHANGING LIGHT BULBS



WARNING: In order to prevent the risk of personal injury, do not install a lamp identified for use only in enclosed fixtures.

This range hood must use 2 shielded halogen lamps (120 V, 50 W PAR16 with GU10 base), included.

Refer to page 4 for ordering information.



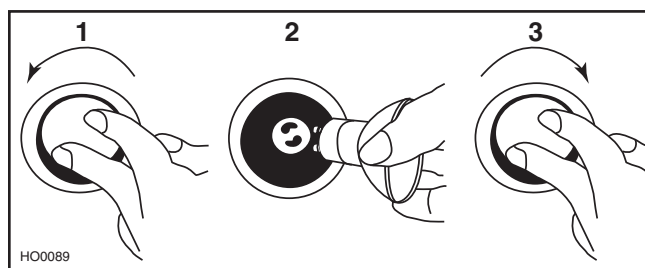
WARNING: In order to prevent the risk of personal injury, the halogen lamps must cool down before removing them.

- To remove lamps, gently push upwards and turn counterclockwise to disengage bulb leads from their grooves.

NOTE

If need be, use a rubber dishwashing glove to add grip when removing the bulb.

- Install the new lamps by placing the bulb leads into their grooves in the socket.
- Gently push upwards and turn clockwise until secure.

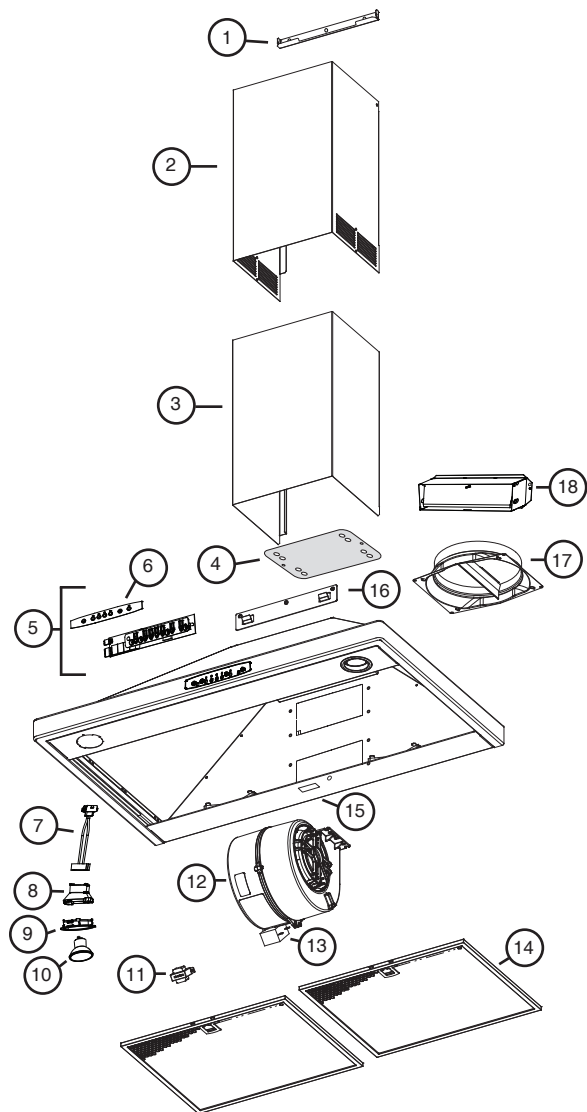


Cleaning

Installation

Service Parts

SERVICE PARTS



HL0143

| KEY NO. | PART NO. | DESCRIPTION | QTY. (HOOD WIDTH) | |
|---------|----------|--|-------------------|-----|
| | | | 30" | 36" |
| 1 | 18504 | UPPER FLUE MOUNTING BRACKET | 1 | 1 |
| 2 | 18494 | UPPER DECORATIVE FLUE | 1 | 1 |
| 3 | 18496 | LOWER DECORATIVE FLUE | 1 | 1 |
| 4 | 18515 | COVER PLATE FOR 8" ROUND TOP EXHAUST | 1 | 1 |
| 5 | 18522 | ELECTRONIC CONTROL MODULE (INCLUDING OVERLAY, ITEM 6) | 1 | 1 |
| 6 | 07322 | OVERLAY | 1 | 1 |
| 7 | 05917 | SOCKET (GU10) | 2 | 2 |
| 8 | 16154 | SOCKET HOLDER (LEFT AND RIGHT GU10 PLASTIC) | 2 | 2 |
| 9 | 16172 | LIGHT TRIM (PLASTIC PAINTED GREY FOR GU10) | 2 | 2 |
| 10 | 05921 | SHIELDED HALOGEN LAMP (120V, 50W, GU10) | 2 | 2 |
| 11 | 09022 | TRANSFORMER | 1 | 1 |
| 12 | 08582 | INTERNAL BLOWER (INCLUDING CAPACITOR) | 1 | 1 |
| 13 | 08783 | CAPACITOR | 1 | 1 |
| 14 | 18523 | MICROMESH FILTERS 13.83" x 13.83" (SET OF 2) | 1 | 1 |
| 15 | 09035 | KENMORE ELITE LOGO | 1 | 1 |
| 16 | 09014 | HOOD MOUNTING BRACKET | 1 | 1 |
| 17 | 08543 | 8" ROUND ADAPTER/DAMPER | 1 | 1 |
| 18 | 13296 | 3 1/4" x 10" ADAPTER/DAMPER | 1 | 1 |
| * | 09030 | KENMORE ELITE INSTALLATION GUIDE | 1 | 1 |
| * | 09027 | PARTS BAG: 5 NO. 8 x 1 1/2" COUNTERSUNK SCREWS, 8 NO. 8 x 3/4" SCREWS, 6 NO. 8 x 3/8" SCREWS, 6 DRYWALL ANCHORS, 3 WASHERS | 1 | 1 |

ORDER REPLACEMENT PARTS BY PART NO. - NOT BY KEY NO.

*NOT ILLUSTRATED.

Free Manuals Download Website

<http://myh66.com>

<http://usermanuals.us>

<http://www.somanuals.com>

<http://www.4manuals.cc>

<http://www.manual-lib.com>

<http://www.404manual.com>

<http://www.luxmanual.com>

<http://aubethermostatmanual.com>

Golf course search by state

<http://golfingnear.com>

Email search by domain

<http://emailbydomain.com>

Auto manuals search

<http://auto.somanuals.com>

TV manuals search

<http://tv.somanuals.com>