



24" STACKABLE LAUNDRY PAIR

White on White – 26-49182
White on White – 26-89182



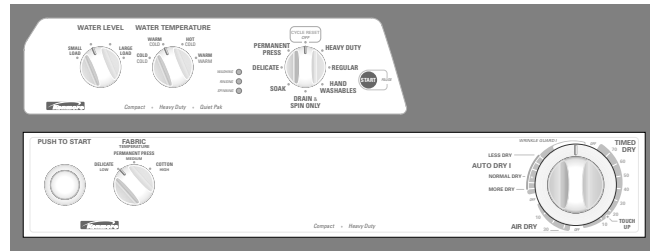
Washer
26-49182 – White on White

- 2.0 cu. ft. capacity
- Straight Vane agitator
- 7 cycles, 2-speed
- 4 water temperatures
- Quiet Pak™ sound insulation

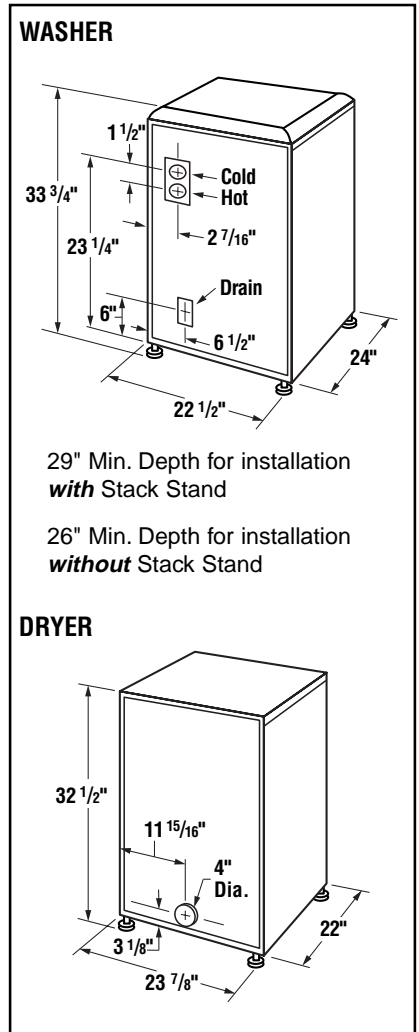


Dryer
26-89182 – White on White

- Space saver...only 24" wide
- 3.4 cu. ft. capacity
- 4 cycles plus Air Only
- Auto Dry
- Wrinkle Guard® I



Shown with optional Stack Stand



29" Min. Depth for installation *with* Stack Stand

26" Min. Depth for installation *without* Stack Stand

FEATURES

Color Selection	24" Washer
White on White	26-49182
Washer Features	
Basket Volume (Cu. Ft.)	2.0
Number of Speeds	2
Top Load	■
Agitator Type	Straight Vane
Bleach Dispenser	■
Cycle Selections	
Soak	■
Heavy Duty	■
Regular	■
Permanent Press	■
Delicate	■
Hand Wash	■
Drain & Spin Only	■
Temperature Selections	4
Water Levels	4
General Features	
Sound Insulation	Quiet Pak™
1/4 H.P. Motor	■
Cabinet Finish	Acrylic
Lid Finish	DynaGuard®
White Porcelain Enamel Basket Finish	■
Volts/Hz/Amps	120/60/3.6
Adjustable Leveling Legs	4 Manual
Inlet Hose (Length)	52"
Drain Hose (Length)	48"
Power Cord Included	■
Shipping Weight (Approx. Lbs.)	110

Note: Washer model 26-49182 has an approximate 5 minute delay for draining before start of spin cycle.

Color Selection	24" Dryer
White on White	26-89182
Dryer Features	
Capacity (Cu. Ft.)	3.4
Cycle Selections	
Timed	4
70 Minutes	■
Touch-Up	■
Air Only	■
Auto Dry	■
Wrinkle Guard® I	■
General Features	
Number of Temperatures	4
End-of-Cycle Signal	■
Push-To-Start Button	■
Lint Screen	Internal
180 Degrees Side Swing Door	■
1/4 H.P. Motor	■
Volts/Hz/Amps	240/60/17
Wattage/Heater Element	3,000 @ 240V
Electric Dryer Circuit Requirement (60Hz.)	30 Amp
Power cord	Not Included
White Epoxy-Coated Drum Interior	■
Top/Cabinet Finish	Acrylic
Shipping Weight (Approx. Lbs.)	100

Warranty
 Full 1-Year Warranty – Mechanical and Electrical Parts In Home
 Wrinkle Guard I = 30 minutes of tumbling without heat at end of cycle.

See written warranty or your Account Manager for details

OPTIONAL STACK ASSEMBLIES*		
		Stationary
		26-89182
Stack Stand	White	26-49971
Dryer Wall Mount Kit		26-46131
Door Latch Kit		26-347746

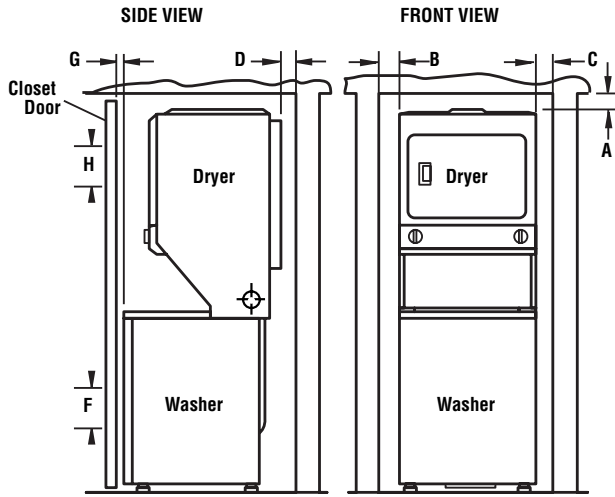
*Total height of stackable laundry pair when using stack stand is 75 5/16".



See reverse side for additional information



CLOSET INSTALLATION



MINIMUM SPACING IN INCHES

RECESSED INSTALLATION	A	B	C	D	F	G	H
INSIDE VENT	4	0	4	1			
OUTSIDE VENT	1	0	0	1			

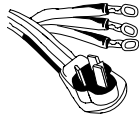
CLOSET INSTALLATION	A	B	C	D	F	G	H
OUTSIDE VENT	1	0	0	1	60 SQ. IN.	1	60 SQ. IN.

When the Laundry Center is installed in other than the recessed and closet type of installation shown, minimum dimensions indicated must be observed.

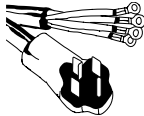
To prevent large amounts of lint and moisture from accumulating and to maintain drying efficiency, this appliance must be vented outdoors.

OPTIONAL POWER CORDS

26-2643, 26-2663



26-2644, 26-2664



All Electric Dryers Require Cord Electric Dryer Cords

Order	Wire	Length
26-2643	3	4 ft.
26-2663	3	6 ft.
26-2644*	4	4 ft.
26-2664*	4	6 ft.

*Complies with 1/1/96 NEC code revision for new construction and remodeling

VENT HOOD TYPE

NUMBER OF 90° TURNS	VENT HOOD TYPE			
	4"	4"	2 1/2"	
0	43 ft.	41 ft.	36 ft.	MAXIMUM LENGTH OF 4" DIAMETER RIGID HEAVY METAL VENT
1	33 ft.	31 ft.	26 ft.	
2	23 ft.	21 ft.	16 ft.	
0	30 ft.	29 ft.	24 ft.	MAXIMUM LENGTH OF 4" DIAMETER FLEXIBLE METAL VENT
1	24 ft.	23 ft.	18 ft.	
2	16 ft.	15 ft.	10 ft.	

DRYER VENTING RECOMMENDATIONS

4" Clearance Behind the Dryer is Preferred for Best Airflow.
2" Clearance is Achieved With Periscopes.

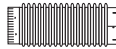
Recommended wall vent hole location: top of hole 36" from floor, centered behind dryer.

4" Clearance Behind Dryer

26-49900 — Over-The-Top™ Kit
 Universal solution, 8 foot length



26-49608 — Flexible Pipe
 4" x 6' with snap-lock fittings
 90° turn takes 1 foot length and 6" clearance

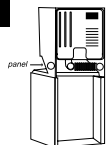


26-49609 — Close Elbow
 Turns 90° within 4"
 Rotating collars and snap-lock fittings



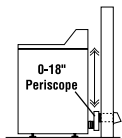
Laundry Centers

Use 26-49608 Flexible Pipe



2" Clearance Behind Dryer

26-49908 — Periscope 0-18"
 For outlets which overlap or are very close



26-49904 — Periscope 18-29"
 Reaches side of most dryers

26-49905 — Periscope 29-50"
 Reaches top of most dryers



Clamps are recommended for wall and dryer connections. Steel clamps designed to resist stretching, with phillips/hex head screw are included one each on elbows and periscopes.

26-98379 — VENT HOOD

Aluminum body and plastic molded hood with a 4" opening.



4-WAY VENTING KIT
 Available Through
Sears Parts & Service
1-800-225-2864

26-279818 — White, 26-279819 — Almond,
 26-279820 — Black

Gas Dryer Connector — Stainless Steel

26-49589	1/2" - 3/8" Flex, 5 ft.
26-49584*	3/8" - 3/8" Flex, 5 ft.

*Los Angeles only

IMPORTANT NOTE ON DRYER VENTING

Do not use non-metal flexible duct. When installing the venting system, do not exceed the specified length for the vent duct. Venting systems which are longer than specified will accumulate lint, increase drying time and energy use and shorten the life of the dryer.



Free Manuals Download Website

<http://myh66.com>

<http://usermanuals.us>

<http://www.somanuals.com>

<http://www.4manuals.cc>

<http://www.manual-lib.com>

<http://www.404manual.com>

<http://www.luxmanual.com>

<http://aubethermostatmanual.com>

Golf course search by state

<http://golfingnear.com>

Email search by domain

<http://emailbydomain.com>

Auto manuals search

<http://auto.somanuals.com>

TV manuals search

<http://tv.somanuals.com>