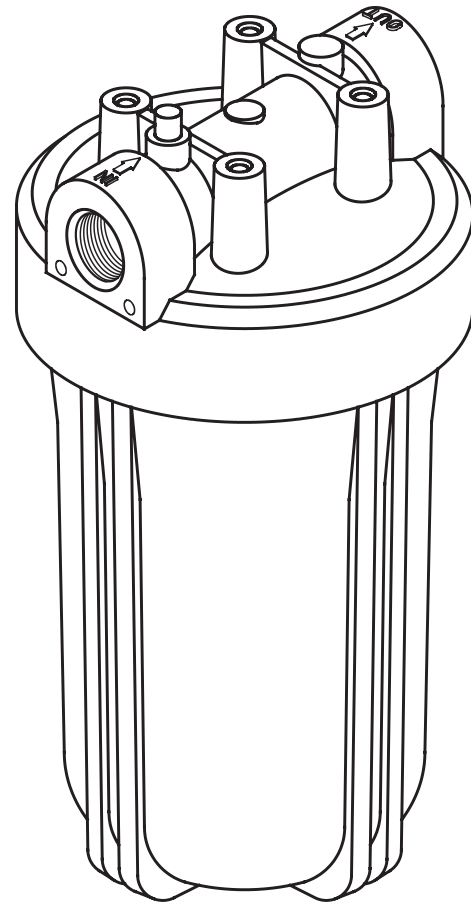


OWNER'S MANUAL



Heavy Duty Whole House Water Filter

MODEL NO. 625.384480



Caution:

Read and follow all safety rules and operating instructions before first use of this product.

Questions ?

Visit www.KenmoreWater.com

or call toll free 1-800-426-9345 (M - F, 7 AM - 8 PM CST)

Repair or Parts ? Call toll free 1-800-469-4663

See back cover for other Sears service numbers.

SAVE THIS MANUAL

- Warranty
- Installation
- How It Works
- Care Of
- Specifications
- Repair Parts

Sears, Roebuck and Co., 3333 Beverly Road, Hoffman Estates, IL 60179 U.S.A.

Warranty

ONE YEAR FULL WARRANTY ON THE HEAVY DUTY WHOLE HOUSE WATER FILTER

When installed, operated and maintained according to all instructions supplied with the product, if this Heavy Duty Whole House Water Filter fails due to a defect in material or workmanship within one year from the date of purchase, Sears will replace this Heavy Duty Whole House Water Filter free of charge. This warranty does not include filter cartridges, which are expendable items.

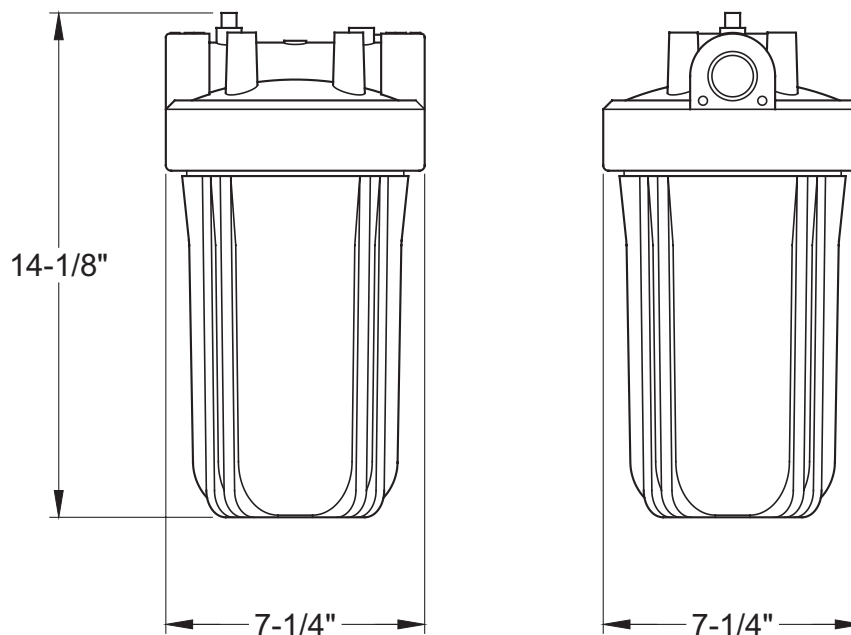
This warranty is available by simply returning the Heavy Duty Whole House Water Filter to the nearest Sears store throughout the United States.

This warranty applies only while this product is in use in the United States or Canada.

This warranty gives you specific legal rights, and you may have other rights which vary from state to state.

Sears, Roebuck and Co., Hoffman Estates, IL 60179

Dimensions



Questions? Call The Kenmore Water Line 1-800-426-9345 or visit KenmoreWater.com

Table of Contents

Unpack and Check Shipment	4
Water Treatment Filter Cartridges	5
Plan Your Installation	5
Typical Installations	6
Installation	7-9
Filter Cartridge Life & Installation	10
Specifications	11
Exploded View & Parts List	11

Safety Guides

- ▼ Read this entire manual carefully before installing and using your Heavy Duty Whole House Water Filter. Follow all steps exactly to correctly install.
- ▼ Check with your local public works department for plumbing and sanitation codes. You must follow their guides as you install the system. Follow your local codes if they differ with guides in this manual. In Massachusetts, plumbing codes of Massachusetts shall be adhered to. Consult with a licensed plumber.
- ▼ Maximum operating pressure: 100 psi.
- ▼ Maximum temperature: 100°F.
- ▼ For cold water use only. Do not install on a hot water line.
- ▼ Not to be used on water that is microbiologically unsafe or of unknown quality without adequate disinfection before or after the system.
- ▼ Keep solvents and sprays away from the clear sump housing material. Surface cracking and failure can result.
- ▼ Do not install where pressure surges exceed 100 psi. Install a pressure regulator before the filter if needed.
- ▼ Do not install outdoors in direct sunlight.
- ▼ Do not install where freezing may occur.
- ▼ Misapplication of clear housing voids your warranty.
- ▼ It is important to properly seat the o-ring in the groove of the sump housing, or a water leak could occur.
- ▼ Retighten the sump 7 days after replacing filter.

Questions? Call The Kenmore Water Line 1-800-426-9345 or visit KenmoreWater.com

Unpack and Check Your Carton

INSPECT SHIPMENT

Your Heavy Duty Whole House Water Filter is shipped complete in one carton. Remove all items from your shipping carton.

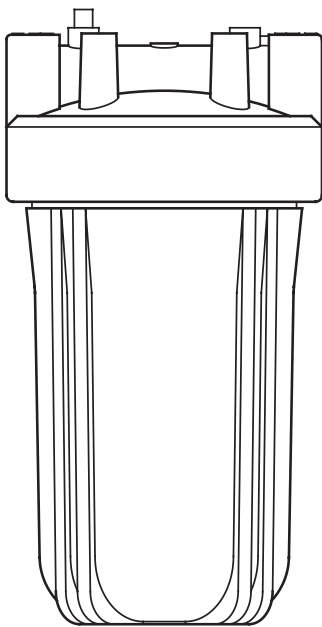
Check all items against the packing list below. Note any items lost or damaged in shipment. Note any damage to the shipping carton. Refer to the exploded view and parts list in the back of the manual for the part names and numbers of missing or damaged items. If problems exist, refer to the website or the toll free number listed throughout this manual.

Keep the small parts in the parts bag until you are ready to install them.

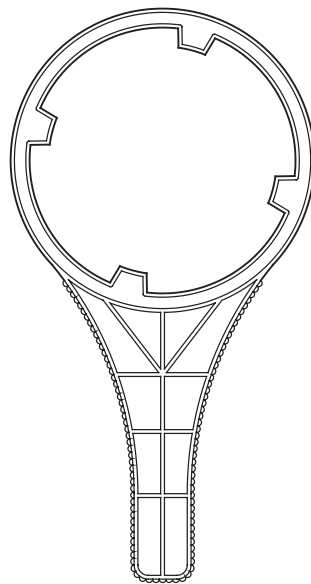
NOTE: Codes in the state of Massachusetts require installation by a licensed plumber.

If you live in the state of Massachusetts, review plumbing code 248-CMR of the Commonwealth of Massachusetts before proceeding with the installation.

Packing List



Heavy Duty Whole House
Water Filter Assembly

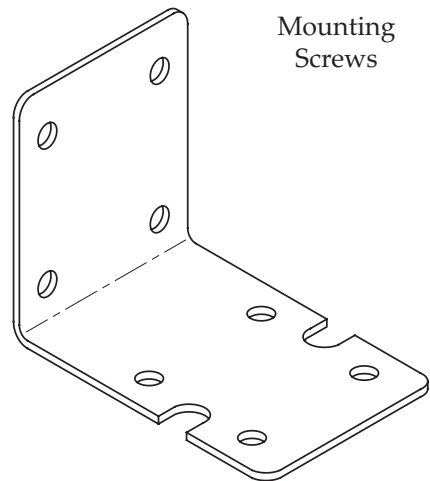


Sump Wrench

Bag Assembly



Mounting
Screws



Mounting Bracket

Questions? Call The Kenmore Water Line 1-800-426-9345 or visit KenmoreWater.com

Water Treatment Filter Cartridges

Filter cartridges to remove (1) sediments, (2) tastes and odors, and (3) tastes, odors and sediments are available for use in the Heavy Duty Whole House Water Filter. Filter cartridges are not included with this water filter. Your Sears store has a selection of the different types of filter cartridges available.

SEDIMENT FILTER CARTRIDGES

Sediment cartridges remove sand, silt, clay, rust, dirt, and other sediments from water. For example, a 30 micron cartridge filters larger sediments, and allows higher flows at less pressure drop. A 5 micron cartridge filters finer sediments from water, often to a single faucet.

TASTE & ODOR CARTRIDGES

Many bad tastes and/or odors are reduced from water using an activated carbon cartridge. It is most often used to remove chlorine taste and odor.

The Taste and Odor Cartridges available are for taste and odor reduction, and sediment reduction.

Plan Your Installation

INSTALLATION LOCATION

To filter sediments or tastes and odors from **all** house water, locate the Heavy Duty Water Filter on the main water supply pipe (See Figure 1). You can also filter water to one faucet. For example, install the filter under the kitchen sink to filter the cold drinking water (See Figure 2).

PLANNING YOUR INSTALLATION

When planning the installation, first read the preceding filter cartridge information to determine where to locate the water filter housing. Then, use the drawings on Page 6 as a guide. There are many variables to consider as you plan. Some of these are:

- The Heavy Duty Water Filter inlet and outlet internal threads are 1" NPT
- Existing plumbing type (copper, threaded, etc.) and nominal size (1/2", 3/4", 1" etc.)
- Tools you have, and your plumbing skills
- Space available for installing the Heavy Duty Water Filter

Make a simple sketch of your proposed installation, and a list of plumbing materials you will need. Obtain everything you need before starting the installation.

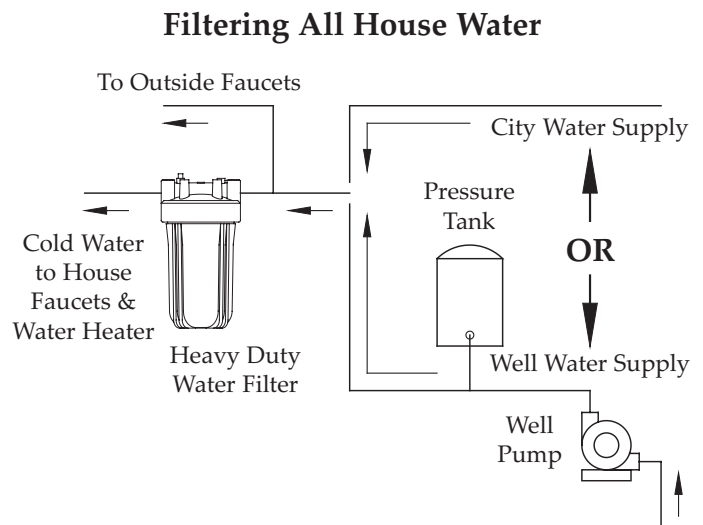


Figure 1

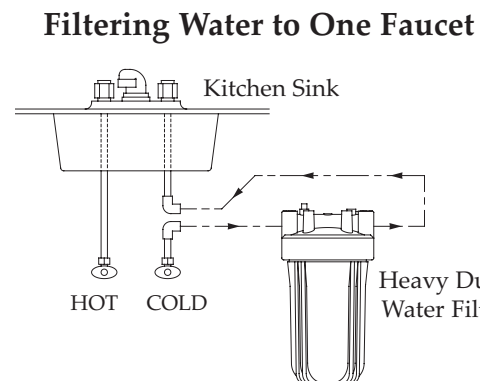


Figure 2

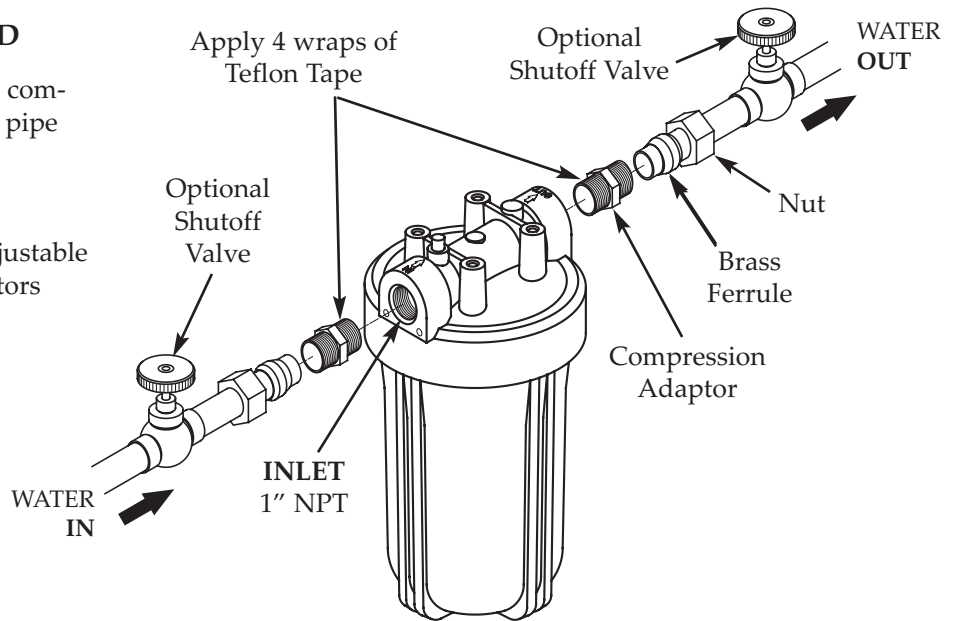
Questions? Call The Kenmore Water Line 1-800-426-9345 or visit KenmoreWater.com

Typical Installations

A. INSTALLATION ON COPPER PLUMBING USING COMPRESSION FITTINGS

MATERIALS & TOOLS NEEDED

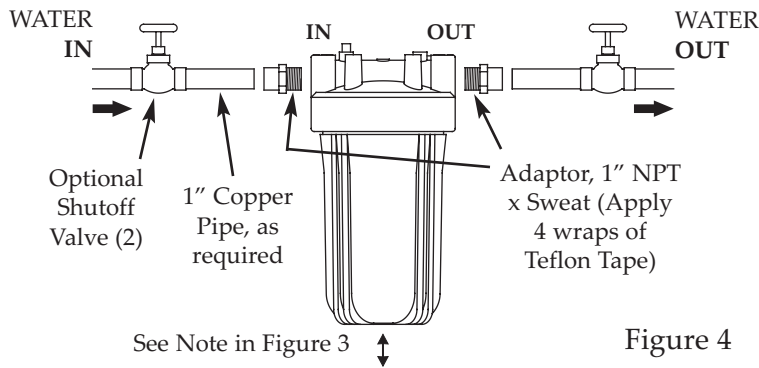
- 2 compression adaptors, 1" NPT x compression end to fit existing copper pipe
- Teflon tape
- Tubing cutter
- Sandpaper or emery cloth
- 2 wrenches, either open end or adjustable jaw, sized to fit compression adaptors



NOTE: Be sure to allow a minimum space of 2" under the filter for removing the sump (to change the cartridge). ↑↓

Figure 3

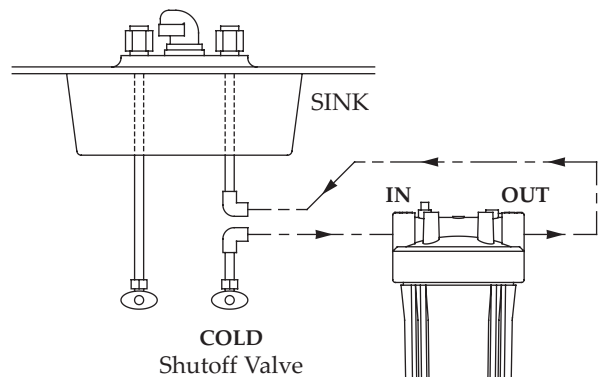
B. SOLDERED COPPER INSTALLATION



See Note in Figure 3 ↑↓

Figure 4

D. UNDERSINK INSTALLATION (Filtering Water to One Faucet)

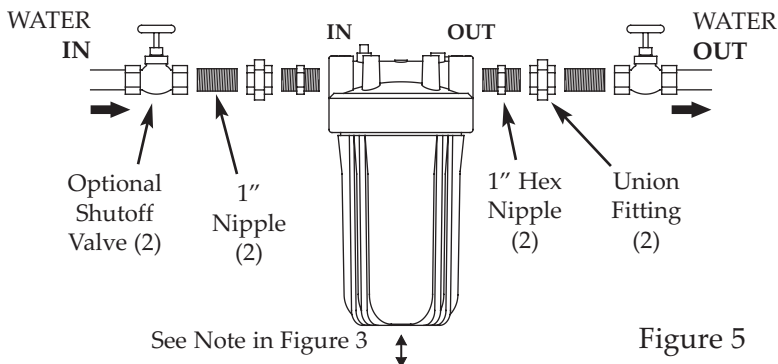


NOTE: To change the filter cartridge, you must turn off the water. A nearby shutoff valve is convenient. Most sinks already have shutoff valves on the supply pipes.

NOTE: Be sure to allow a minimum space of 2" under the filter for removing the sump (to change the cartridge). ↑↓

Figure 6

C. THREADED INSTALLATION



See Note in Figure 3 ↑↓

Figure 5

Questions? Call The Kenmore Water Line 1-800-426-9345 or visit KenmoreWater.com

Installation - Type A

A. WATER FILTER ON HOUSE MAIN WATER PIPE, TO FILTER ALL HOUSEHOLD WATER USING COMPRESSION FITTINGS (See Figure 3 on Page 6)

INSTALLATION STEPS

1. Apply 4 wraps of Teflon tape to the threads of both compression fittings.
2. Carefully turn the compression fittings into the water filter head inlet and outlet and tighten. Do not cross-thread and damage the threads. Do not overtighten and crack the head.
3. Remove the nut and brass ferrule from both compression fittings and set aside. Using a tape measure or ruler, measure the distance "D" as shown in Figure 7). Mark this dimension at right so you do not forget.
4. **IMPORTANT:** Turn off the water supply to the main pipe. Open a high and low faucet in the water system to drain the pipe.
5. On the main water pipe, where you will install the filter, mark the dimension "D". You will remove this section of pipe. Before you begin to cut, double-check your measurement.
6. Use a tubing cutter to remove the section of pipe. Remove all burrs and rough edges with the sandpaper or emery cloth.
7. Place a nut and brass ferrule from compression fittings onto both pipe ends (See Figure 8).
8. With the **IN** side of the water filter **toward incoming water**, spread the pipes apart and fit both pipe ends into the compression fittings. Move a ferrule and nut up to the fitting (See Figure 9). Then, turn on and tighten the nut. Hold the fitting with one wrench while tightening the nut with the other. Repeat on the other side.
9. Before turning on the water supply, remove the sump from the filter head and install the filter cartridge (See Page 10).

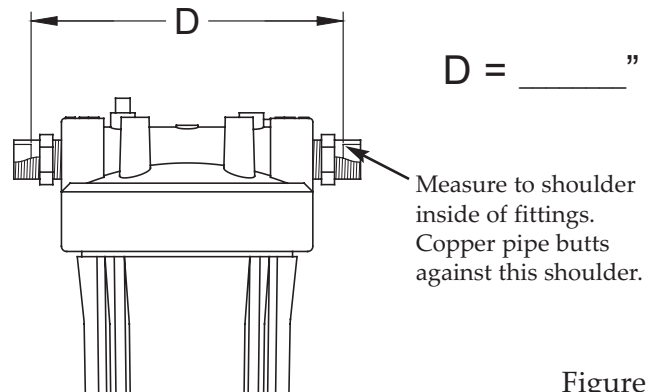


Figure 7

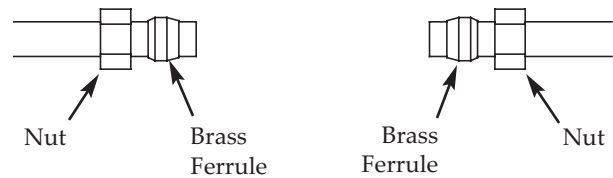


Figure 8

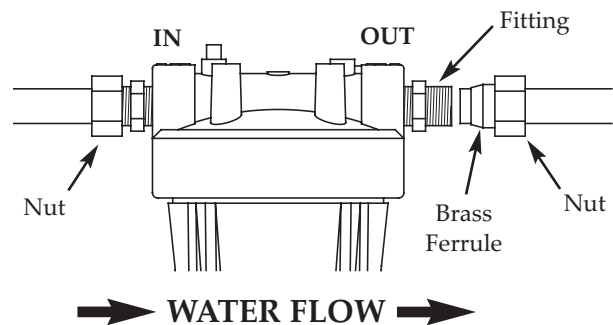


Figure 9

GROUNDING INFORMATION:

The house cold water pipe is often used to ground electrical outlets in the home. Grounding protects you from electrical shock. Installing the water filter housing may have broken this ground. To restore, buy and install a #4 copper wire across the filter, tightly clamped at both ends, as shown in Figure 10.

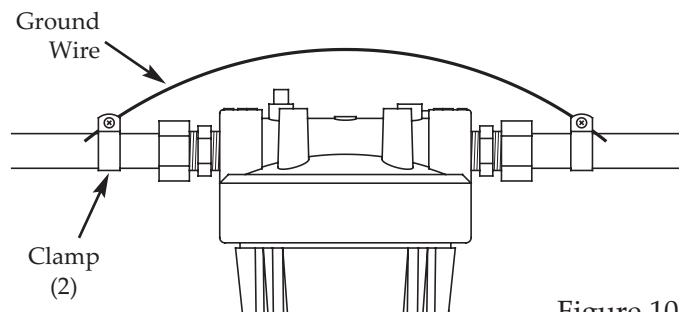


Figure 10

Questions? Call The Kenmore Water Line 1-800-426-9345 or visit KenmoreWater.com

Installation - Type B

B. WATER FILTER ON HOUSE MAIN WATER PIPE, TO FILTER ALL HOUSEHOLD WATER USING SOLDERED COPPER FITTINGS (See Figure 4 on Page 6)

MATERIALS AND TOOLS NEEDED:

You will need 2 sweat adaptors, 1" NPT x sweat (sweat end to fit your main water pipe), lead-free solder and flux, soldering torch, Teflon tape, sandpaper or emery cloth, open end (to fit sweat adaptor) or adjustable jaw wrench.

INSTALLATION STEPS

CAUTION: Heat created when soldering can damage the water filter's plastic parts. Be sure to use the following procedure to protect the water filter.

1. **IMPORTANT:** Turn off the water supply to the main pipe. Open a high and low faucet in the water system to drain the pipe.
2. On the main water pipe, where you will install the filter, use a tubing cutter to remove a section of pipe about 12" long. Use sandpaper or emery cloth to thoroughly clean and remove all burrs and rough edges, from both pipe ends.

NOTE: When soldering, use lead-free solder and flux only. Be sure pipe and fittings are properly cleaned.

3. Solder a sweat adaptor onto one of the pipe ends (See Figure 11).
4. Place, but do not solder, a straight connector onto the other pipe end (See Figure 11).
5. Remove the sump from the filter head and set the sump aside.
6. After it cools, apply 4 wraps of Teflon tape to the threads on the sweat adaptor fitting (See Figure 12).
7. With the **IN** side of the water filter **toward incoming water**, carefully, turn the filter head onto the sweat adaptor fitting (See Figure 12). Do not cross-thread, or over-tighten and crack the filter head.
8. Turn a sweat adaptor fitting into the other side of the filter head and hand tighten only. Using a tape measure or ruler, measure the distance "D" as shown in Figure 13. Mark this same dimension on a length of copper pipe. Cut the length of pipe.
9. Remove the sweat adaptor fitting from the filter head and solder to the cut length of pipe.
10. After it cools, apply 4 wraps of Teflon tape to the threads on the sweat adaptor fitting. Apply flux and

continued

place the pipe end of the soldered assembly into the straight connector. Then, turn the adaptor end into the filter head and tighten.

11. Solder both sides of the straight connector.
12. Before replacing the sump and turning on the water supply, install the filter cartridge (See Page 10).

NOTE: Read the "Grounding Information" on Page 7, and comply with the instructions if required to maintain continuity.

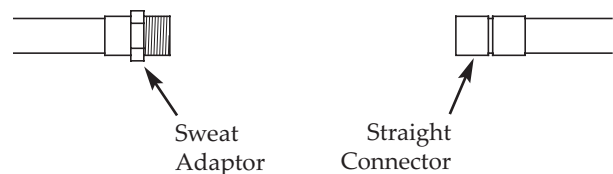


Figure 11

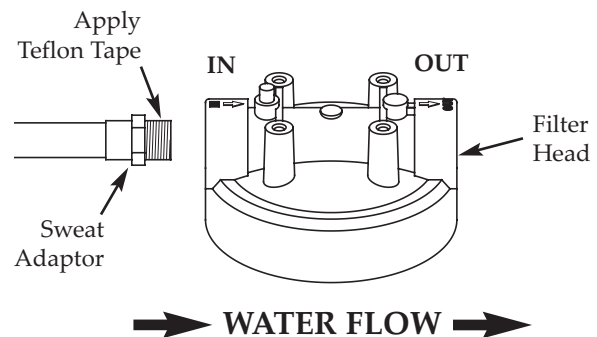


Figure 12

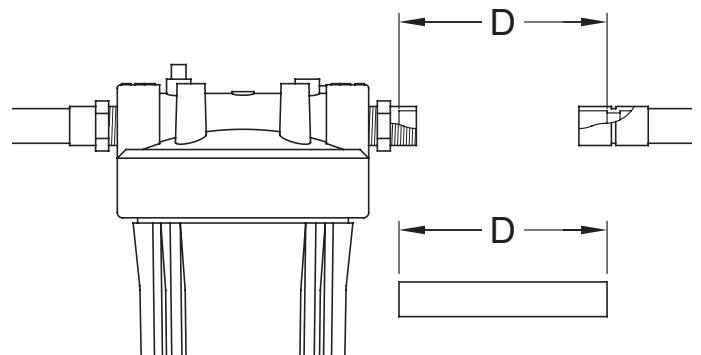


Figure 13

Questions? Call The Kenmore Water Line 1-800-426-9345 or visit KenmoreWater.com

Installation - Type C

C. WATER FILTER ON HOUSE MAIN WATER PIPE, TO FILTER ALL HOUSEHOLD WATER USING THREADED PIPE & FITTINGS (See Figure 5 on Page 6)

MATERIALS AND TOOLS NEEDED:

For threaded pipe installation, you will need a pipe threading tool, pipe wrenches, pipe joint compound, union fittings and pipe nipples. Connect the filter housing as typically shown in Figure 5 on Page 6.

INSTALLATION NOTES

- Use pipe joint compound on all external threads.
- Do not turn pipe or fittings too tightly into the filter head or you may break it.
- It is important to have some linear movement in the house main water pipe. This will allow you to tighten union fittings without damaging the filter head, if pipe lengths are not exact.

NOTE: Read the "Grounding Information" on Page 7, and comply with the instructions if required to maintain continuity.

Installation - Type D

D. WATER FILTER UNDERSINK, TO FILTER WATER TO ONE FAUCET (See Figure 6 on Page 6)

INSTALLATION STEPS

1. Close the cold water side shutoff valve. Usually, there already is a shutoff under the sink. If not, close the main water shutoff valve near the water meter or pressure tank.
2. Cut and remove a section of the cold water pipe.
3. If you are plumbing with flexible tubing, hang or support the filter housing using the included mounting bracket. If using rigid pipe, be sure to allow a minimum of 2" clearance under the filter for sump removal when changing the filter cartridge.
4. Use the plumbing procedures on Page 7 if using compression fittings. Follow procedures on Page 8 for sweat copper and threaded pipe installation. Be sure water flow is to the filter **IN** side, and from the **OUT** side to the faucet.

NOTE: A grounding jumper wire is not required.

5. Before turning on the water supply, remove the sump from the filter head and install the filter cartridge (See Page 10).

Filter Cartridge

FILTER CARTRIDGE LIFE

Several variables determine how long a cartridge will last. These include:

- How much water you use.
- How much sediment, taste and/or odor, or other unwanted substance, is in the water.

Use the following information as a guide. However, no matter which type of cartridge you are using, you will know it is time to replace it when you first notice the return of the unwanted substance in your water. Filter cartridges are available from your local Sears store and www.sears.com.

The filter cartridges require replacement 3 or 4 times a year when used for whole house filtering. Average cartridge life when filtering water to one faucet is 6 months or more. This average time varies depending on the type of cartridge and water conditions.

SEDIMENT CARTRIDGES: Filtering sediments, you will know it's time to replace the cartridge when water pressure drops at house faucets.

TASTE & ODOR CARTRIDGES: Filtering taste and odor, you will know it's time to replace the cartridge when the taste and odor returns. If the cartridge is also for sediment removal, you could notice a pressure drop before the return of taste and odor.

FILTER CARTRIDGE INSTALLATION/REPLACEMENT

CAUTION: Never remove the sump with water pressure in the filter.

1. Close the nearest shutoff valve on the water supply pipe to the filter. To relieve pressure in the filter, press the vent valve on top of the filter head (See Figure 14) or open a cold water faucet after the filter. Some water may leak out of the vent valve as pressure is being relieved.
2. Turn the sump to the left to remove from the head (See Figure 14). Be careful, as the sump is full of water. Do not lose the large o-ring seal.
3. Be sure the inside of the sump is clean. Thoroughly wash with warm, soapy water and rinse.
4. Remove the wrapper from the new filter cartridge and insert the filter cartridge into the sump. Some cartridges fit either way, while others fit only one way. Observe markings on the cartridge, or on the wrapper.
5. Lightly lubricate the o-ring seal, in the sump, with silicone grease. Be sure it is fully seated in the groove.
6. Hold the sump up to the filter head, aligning the cen-

ter hole in the cartridge with the protrusion on the bottom of the head.

NOTE: If the sump will not tighten up to the head, you may have the cartridge in upside down or not centered in the sump. Take the cartridge out and check for correct orientation.

7. Being careful not to cross-thread, turn the sump to the right onto the filter head and tighten securely.
8. Open the sink cold faucet. Then, slowly open the water supply shutoff valve and allow the filter housing to fill. While it is filling, press the filter vent valve to release air in the filter.
9. Close the sink faucet. Then, check for leaks between the sump and the head.

NOTE: If a leak is occurring, turn off the water supply and open the sink cold faucet to depressurize the filter (or press the vent valve). Then, remove the sump and check the o-ring for cuts, flat spots, etc., and sealing surfaces for foreign material. Clean the o-ring and lubricate with silicone grease. Carefully press into the groove in the sump.

10. Taste and Odor Cartridges: A taste and odor cartridge contains activated carbon, a black powder. When new, open a filtered water faucet and allow fine carbon particles to purge from the cartridge. Close the faucet when you no longer see the "fines" in the filtered water.

11. Retighten the sump 7 days after replacing filter.

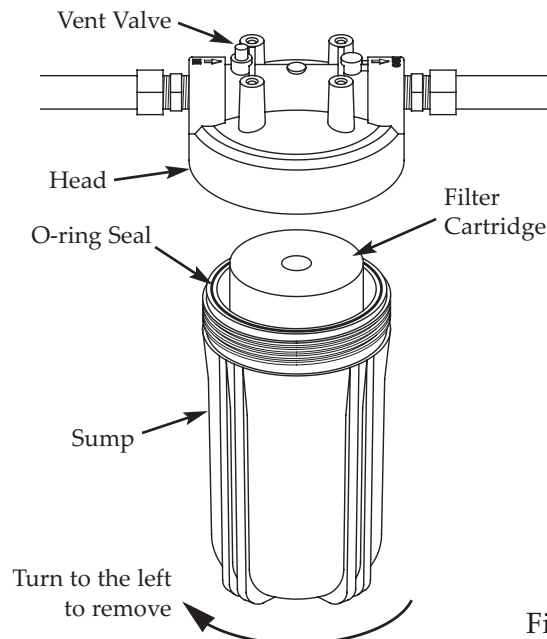


Figure 14

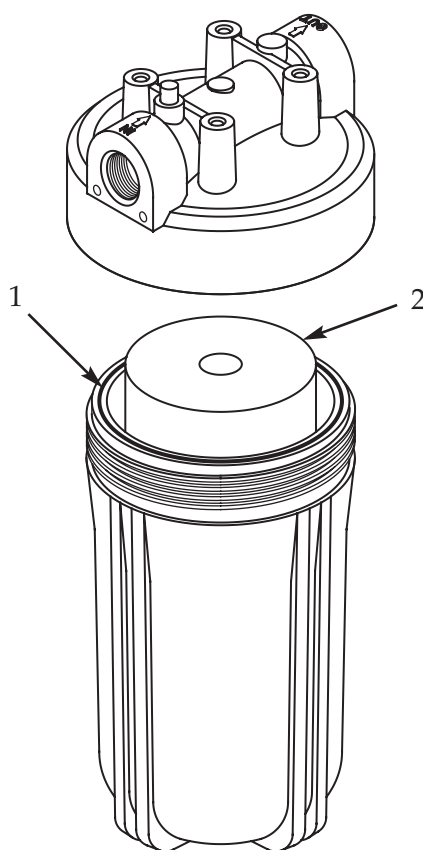
Questions? Call The Kenmore Water Line 1-800-426-9345 or visit KenmoreWater.com

Specifications

Supply water maximum pressure 100 psi (689 kPa)
 Supply water temperature limits 40-100 °F (5-40 °C)
 Inlet - Outlet 1" NPT

Installations In The Commonwealth Of Massachusetts: The Commonwealth of Massachusetts requires installation be performed by a licensed plumber. Plumbing code 248-CMR of the Commonwealth of Massachusetts must be followed in these cases.

Repair Parts



Key No.	Part No.	Description
1	7295240	O-ring
2	42-34379	Filter Cartridge, Sediment *
	42-34378	Filter Cartridge, Taste & Odor *
■	7295232	Owner's Manual

* Filter cartridges are not included. Purchase replacement filter cartridges at your local Sears store, online at www.sears.com or from Sears Parts at 1-800-469-4663.

■ Not illustrated.

Questions? Call The Kenmore Water Line 1-800-426-9345 or visit KenmoreWater.com

Get it fixed, at your home or ours!

Your Home

For repair – **in your home** – of **all** major brand appliances, lawn and garden equipment, or heating and cooling systems, **no matter who made it, no matter who sold it!**

For the replacement parts, accessories and owner's manuals that you need to do-it-yourself.

For Sears professional installation of home appliances and items like garage door openers and water heaters.

1-800-4-MY-HOME[®] (1-800-469-4663)

Call anytime, day or night (U.S.A. and Canada)

www.sears.com www.sears.ca

For expert home solutions advice: www.managemyhome.com

Our Home

For repair of carry-in items like vacuums, lawn equipment, and electronics, call or go on-line for the location of your nearest

Sears Parts & Repair Service Center

1-800-488-1222 (U.S.A.) **1-800-469-4663** (Canada)

Call anytime, day or night

www.sears.com www.sears.ca

To purchase a protection agreement on a product serviced by Sears:

1-800-827-6655 (U.S.A.)

1-800-361-6665 (Canada)

Para pedir servicio de reparación a domicilio, y para ordenar piezas:

1-888-SU-HOGAR[®]

(1-888-784-6427)

Au Canada pour service en français:

1-800-LE-FOYER^{MC}

(1-800-533-6937)

www.sears.ca



Free Manuals Download Website

<http://myh66.com>

<http://usermanuals.us>

<http://www.somanuals.com>

<http://www.4manuals.cc>

<http://www.manual-lib.com>

<http://www.404manual.com>

<http://www.luxmanual.com>

<http://aubethermostatmanual.com>

Golf course search by state

<http://golfingnear.com>

Email search by domain

<http://emailbydomain.com>

Auto manuals search

<http://auto.somanuals.com>

TV manuals search

<http://tv.somanuals.com>