

# OWNER'S MANUAL

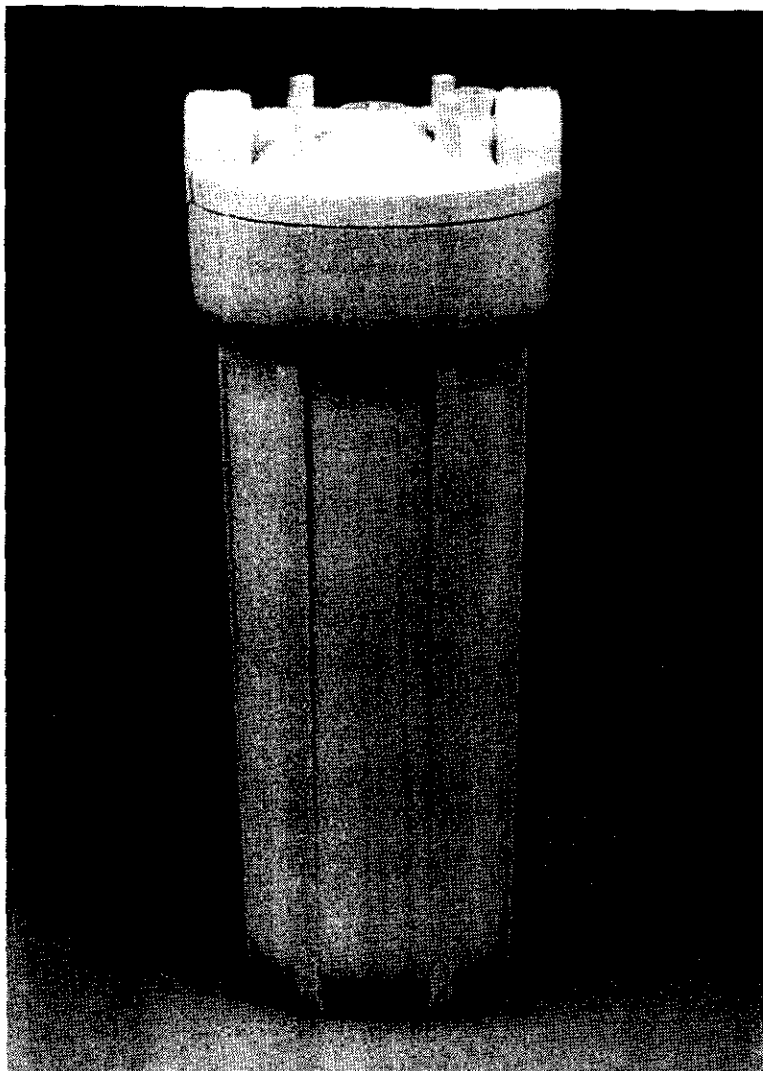
**MODEL NO.  
625.384500**

Caution:  
Read and Follow  
All Safety Rules,  
Installation and  
Operating  
Instructions  
Before First Use  
of This Product.

If you have questions  
when installing and us-  
ing your water filter  
housing call this toll-  
free number...

**1 - 800 - 426 - 9345**

**SAVE THIS MANUAL**



**Kenmore**

## UNDERSINK WATER FILTER HOUSING

- ◆ Safety Guides
- ◆ Installation
- ◆ Operation
- ◆ Cartridge Replacement
- ◆ Repair Parts

System tested and certified by NSF International  
to ANSI/NSF Standard 42 for the reduction of the  
claims specified on the performance data sheet.



**Sears, Roebuck and Co., Hoffman Estates, IL 60179 USA**

## SAFETY GUIDES / SPECIFICATIONS

▲ Please read this entire manual before installing and using your undersink water filter housing. Be sure to follow all guides and rules carefully. Failure to follow them could cause personal injury or property damage.

▲ Check with your local public works department for plumbing codes. You must follow their guides as you install the water filter housing. In Massachusetts, plumbing codes of Massachusetts shall be adhered to. Consult with your licensed plumber.

▲ Use the filter on a potable, safe-to-drink, home COLD water supply only. The filter cartridge will not purify water, or make it safe to drink. DO NOT use on HOT water (100°F,

max.). Do not use with water that is microbiologically unsafe or of unknown quality without adequate disinfection before or after the system. This system is certified for cyst reduction and may be used on disinfected waters that may contain filterable cysts.

▲ Protect the water filter housing and piping from freezing. Water freezing in the housing will break it.

▲ Your undersink water filter housing works on water pressures of 40 psi (minimum) to 100 psi (maximum). If your house pressure is over the maximum, install a pressure reducing valve in the water supply pipe to the water filter.

Min. - Max. Supply Water Pressure	40 - 100 psi
Min. - Max. Supply Water Temperature	40 - 100 °F
Inlet - Outlet Thread Size	3/8" NPT
Rated Service Flow	0.6 gpm at 60 psi

### WARRANTY

#### FULL ONE YEAR WARRANTY ON UNDERSINK WATER FILTER HOUSING

For one year from the date of purchase, Sears will replace this Undersink Water Filter Housing, (except filter cartridge, which is purchased separately), free of charge, if defective in material or workmanship.

WARRANTY IS AVAILABLE BY SIMPLY RETURNING THE WATER FILTER HOUSING TO THE NEAREST SEARS STORE THROUGHOUT THE UNITED STATES.

This warranty gives you specific legal rights, and you may have other rights which vary from state to state.

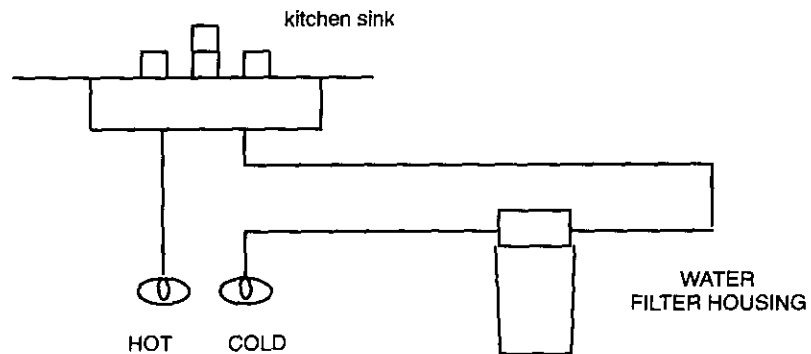
Sears, Roebuck and Co., DEPT. 817 WA, Hoffman Estates, IL 60179

## TABLE OF CONTENTS

Planning Installation / Typical Installation Drawings / Tools and Materials Needed .....	4 - 5
Water Filter Housing Installation .....	5 - 7
Using Compression Fittings .....	5 - 6
Using Soldered Copper .....	6
Using Threaded Fittings .....	7
Installing Filter Cartridge .....	7
Filter Cartridge Life / Replacement .....	8 - 9
Repair Parts .....	10

Locate the water filter housing on the **cold** water supply pipe, under the kitchen and/or bathroom sink, to filter the cold drinking water. Refer to the following drawing.

### FILTERING WATER TO ONE FAUCET



## PLANNING YOUR INSTALLATION

When planning your installation, use the drawings below and on page 5 to guide you. There are many variables to consider as you plan. Some of these are:

- ✓ the water filter housing inlet and outlet internal threads are 3/8" NPT.
- ✓ existing plumbing type (copper, threaded, etc.) and nominal size (1/4", 3/8" etc.)
- ✓ tools you have, and your plumbing skills
- ✓ cost of materials needed
- ✓ space available for installing the filter housing

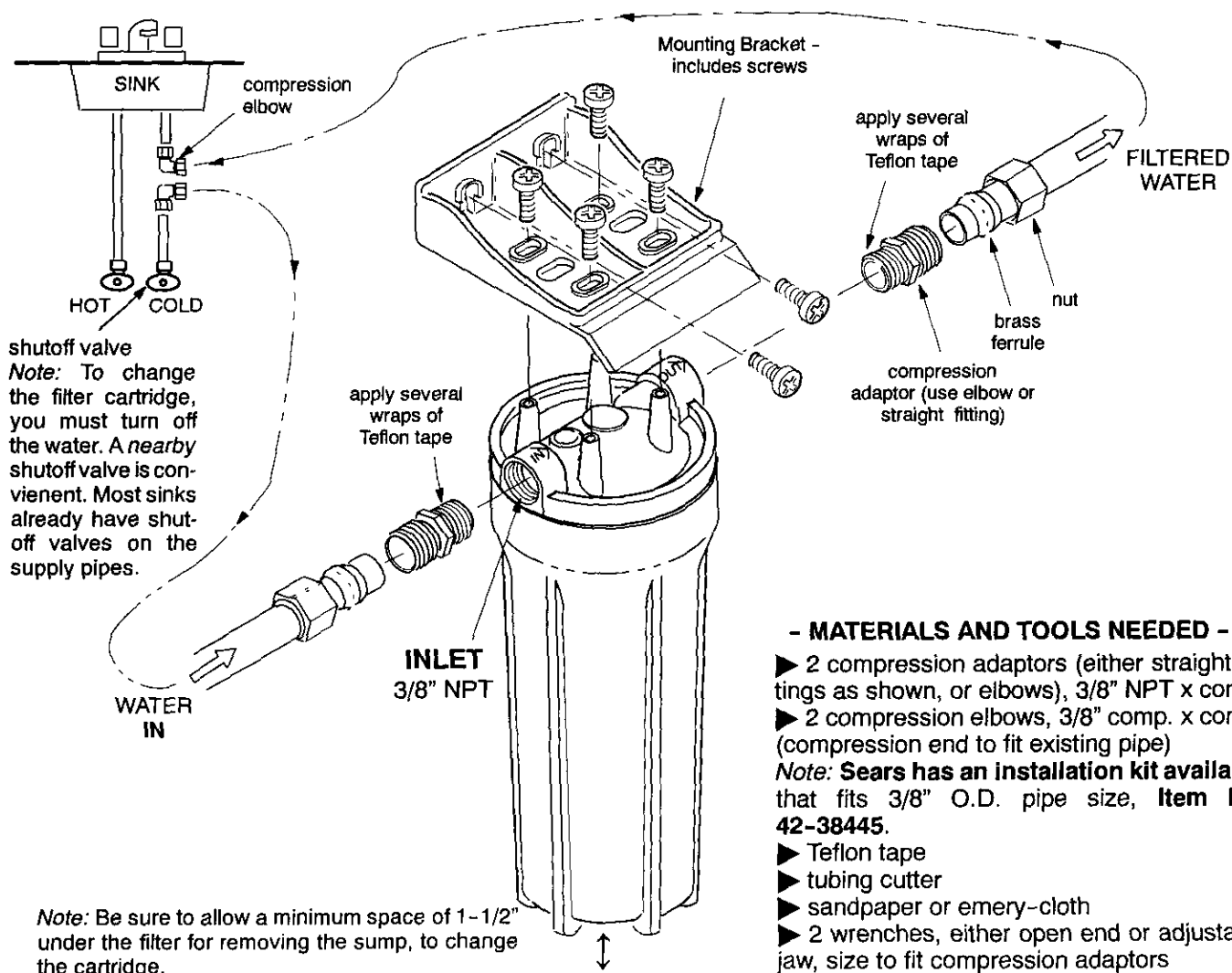
Sears has an optional kit available to make installing the water filter housing easier (see below and page 5). These are:

- ★ Installation Kit, Sears Item No. 42-38445 - Includes 3/8" fittings and tubing.

Make a simple sketch of your proposed installation, and a list of plumbing materials you will need. Obtain every thing you need before starting the installation. Be sure you have the tools required.

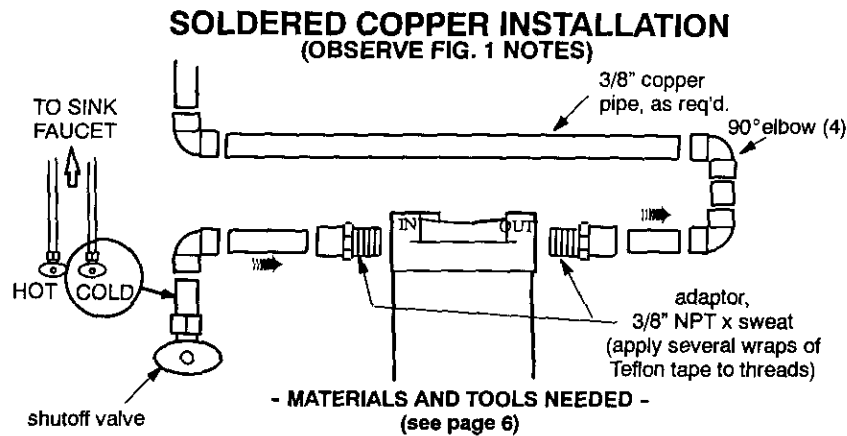
## TYPICAL UNDERSINK INSTALLATIONS / TOOLS AND MATERIALS NEEDED

**FIG. 1** INSTALLATION ON COPPER PLUMBING USING COMPRESSION FITTINGS

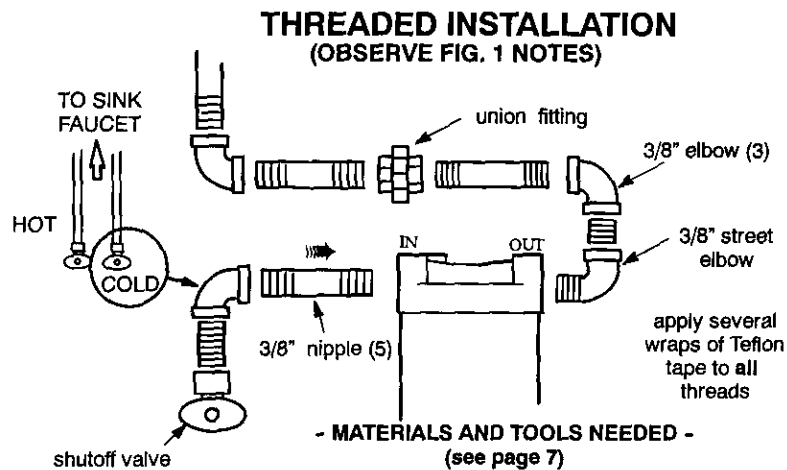


# TYPICAL UNDERSINK INSTALLATIONS / TOOLS AND MATERIALS NEEDED

**FIG. 2**



**FIG. 3**



## INSTALLATION STEPS

### A. USING COMPRESSION FITTINGS, FIG. 1

*Note:* If plumbing with flexible tubing, hang or support the filter housing in some manner. Using the mounting bracket (included) as shown in FIG. 1.

1. Apply several wraps of Teflon tape to the threads of both compression adaptors.

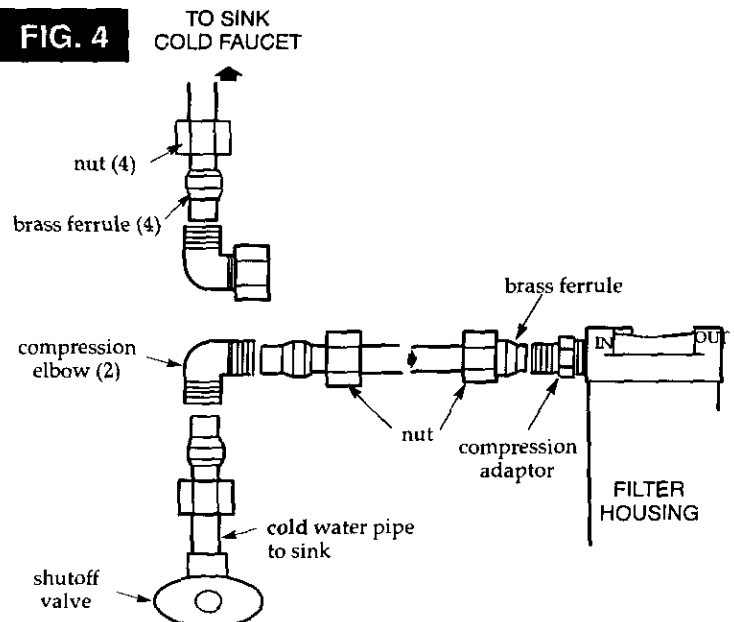
2. CAREFULLY turn the compression adaptors into the water filter head inlet and outlet and tighten. **Do not cross-thread** and damage the threads. **Do not overtighten** and crack the head.

3. **CAUTION:** Turn off the water supply to the sink cold pipe. Open the sink cold faucet to relieve pressure in the pipe.

*Note:* If the sink faucet is a single lever mixing type also close the shutoff valve on the hot water side.

4. Use a tubing cutter to remove a section of the cold water pipe (catch trapped water with a rag or towel). Remove all burrs and rough edges with the sandpaper or emery-cloth.

5. Place a nut and brass ferrule (from compression elbow fittings) onto both pipe ends. Connect elbows to the sink cold water pipe as shown below.



continued

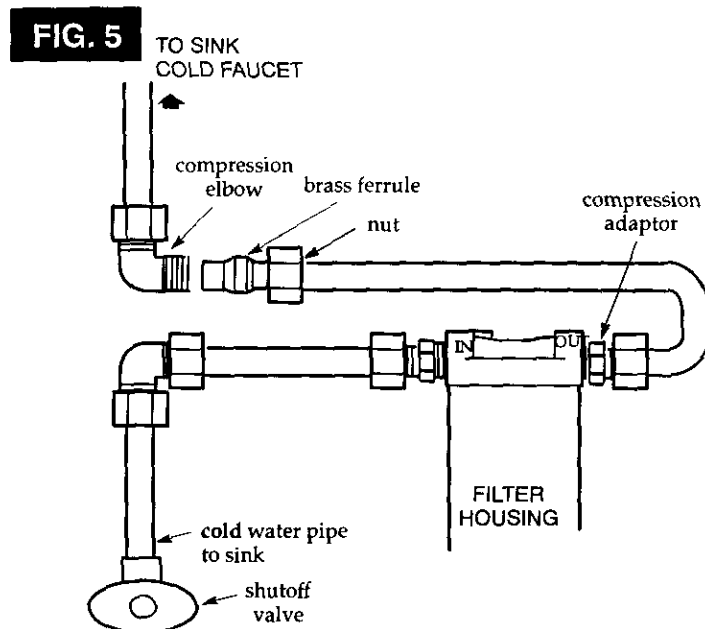
## INSTALLATION STEPS

6. Using ferrules and compression nuts, cut and fasten a length of tubing (allow some slack) from the cold water pipe, to the filter head **inlet** compression adaptor, FIG.4.

7. Cut tubing to the length needed to allow some slack, fasten tubing to the filter outlet side compression adaptor, returning to the sink cold water pipe, as typically shown in FIG. 5.

8. Check to be sure all fittings are tightened.

9. **Before turning on the water supply**, remove the sump from the filter head and install the filter cartridge (see page 7).



### B. SOLDERED COPPER FITTINGS, FIG. 2

**MATERIALS AND TOOLS NEEDED:** You will need 2 sweat adaptors, 3/8" NPT x sweat (sweat end to fit your sink cold water pipe), 4 sweat 90° elbows, copper pipe, lead-free solder and flux, soldering torch, Teflon tape, sandpaper or emery-cloth, open end (to fit sweat adaptor) or adjustable jaw wrench.

**CAUTION:** Heat created when soldering can damage the water filter housing. Be sure to use the following procedures to protect the water filter.

1. **CAUTION:** Turn off the water supply to the sink cold pipe. Open the sink cold faucet to relieve pressure in the pipe.

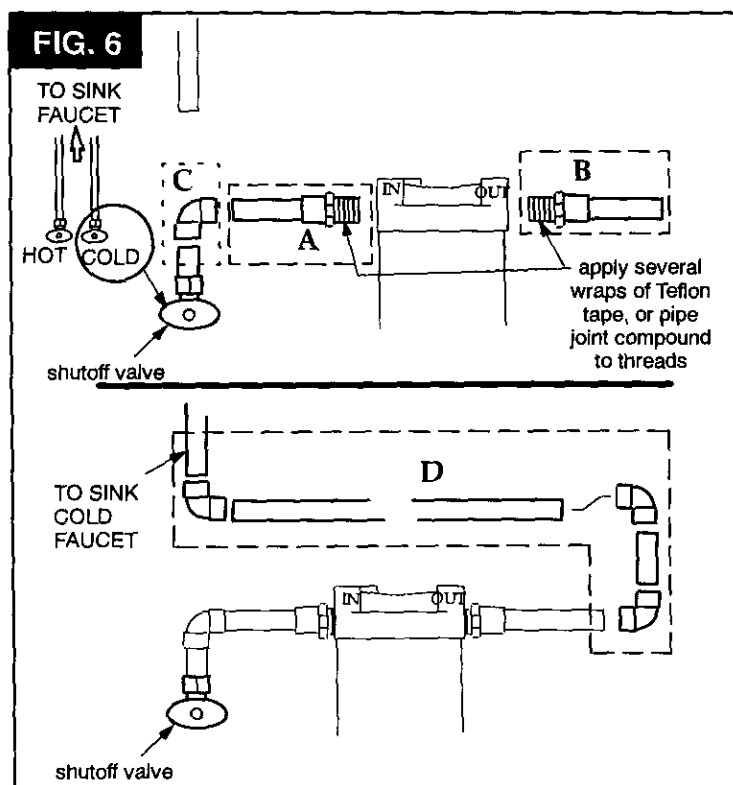
*Note:* If the sink faucet is a single lever, mixing type, also close the shutoff valve on the hot water side.

2. Use a tubing cutter to remove a section of the sink cold water pipe (catch trapped water with a rag or towel). Use sandpaper or emery-cloth to thoroughly clean and remove all burrs and rough edges from both pipe ends.

*Note:* When soldering, use lead-free solder and flux only. Be sure pipe and fittings are properly cleaned. Observe caution note above.

3. Refer to FIG. 2, page 5, and to the following drawings. Make typical soldered assemblies A and B as shown in FIG. 6. After they have cooled, apply Teflon tape or pipe joint compound to the pipe threads. Then turn them into the filter head and tighten.

4. Solder the filter housing, with assemblies A and B installed, to the cold water shutoff valve C. Wrap a



wet rag around assembly A to reduce heat transfer through the pipe and into the head.

5. Protect the filter housing from soldering heat, as you did above, and complete the connections (D) to the faucet cold water pipe.

6. **Before turning on the water supply** remove the sump from the filter head and install the filter cartridge (see page 7).

## INSTALLATION STEPS (cont.)

### C. THREADED PIPE AND FITTINGS, FIG. 3

**MATERIALS AND TOOLS NEEDED:** For threaded pipe installation you will need pipe wrenches, Teflon tape or pipe joint compound, a union fitting and pipe nipples. You may also need a pipe threading tool. Connect the filter housing as typically shown in FIG. 3, page 5. Observe the following:

- Use Teflon tape or pipe joint compound on all external threads.
  - Do not turn pipe or fittings too tightly into the filter head or you may break it.
  - It is important to have some movement in the sink cold water pipe. This will allow you to tighten the union fitting, without damaging the filter head, if pipe lengths are not exact.
  - **Before turning on the water supply** remove the sump from the filter head and install the filter cartridge (see below).
- 

### FILTER CARTRIDGE INSTALLATION

TURN TO PAGE 9 AND FOLLOW ALL STEPS UNDER "FILTER CARTRIDGE REPLACEMENT".

# FILTER CARTRIDGE / USEFUL LIFE / REPLACEMENT

## FILTER CARTRIDGE LIFE

Several variables determine how long a cartridge will last. These include:

1. how much water you use.
2. how much sediment, taste and/or odor, or other unwanted substance, is in the water.

Use the following information as a guide. However, no matter which type of cartridge you are using, you will know **it is time to replace it when you *first* notice the return of the unwanted substance in your water.**

Kenmore Undersink Water Filter Housing model 625.384500 with replacement filter 42-34373 has been tested and certified by NSF International for the reduction of chlorine, taste and odors. The rated capacity for this system is 4500 gallons.

Other filter cartridges are available from Sears to remove sediments, tastes and odors. Following is a list of filter cartridges available.

**Taste and Odor Cartridges:** Many bad tastes and/or odors are removed from water by an activated carbon cartridge. It is most often used to remove chlorine taste and smell, usually to a single faucet such as the kitchen cold.

*Note:* Small amounts of hydrogen sulfide (noticeable as "rotten egg" odor) may be reduced by taste and odor filters for a short time, quickly exhausting the carbon media. Consult your Sears store for proper continuous treatment.

**Taste & Odor Filter Cartridge, Sears Item No. 42-34370:** for 95% chlorine reduction,  
**Sediment Filter Cartridge, Sears Item No. 42-38478 (25 micron):** Sediment cartridges remove sand, silt, clay, dirt, and other sediments from water. The 25 micron cartridge filters larger sediments from water, and allows higher flows at less pressure drop.

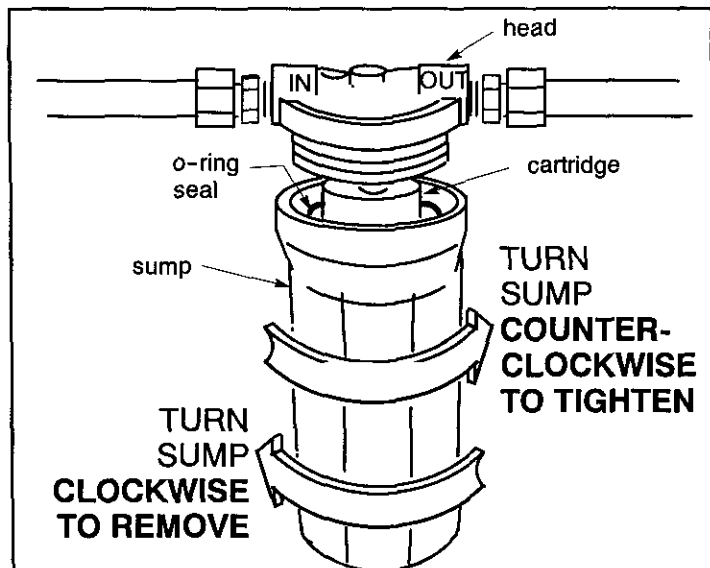


## FILTER CARTRIDGE REPLACEMENT

**CAUTION:** Never remove the sump with water pressure in the filter.

1. Close the nearest shutoff valve on the water supply pipe to the filter. To relieve pressure in the filter, open the sink cold water faucet.

2. Turn the sump off of the filter head, to the left or clockwise. Be careful, the sump is full of water. Do not lose the large o-ring seal.



Note: A special wrench is available from Sears for removing the sump. See the parts list on page 10.

3. Be sure the inside of the sump is clean. Cleaners are available from Sears (see the parts list on page 10), or use hot, soapy water.

4. Remove the wrapper from the new filter cartridge and insert the filter cartridge in the sump. Some cartridges fit either way, while others fit only one way.

Observe markings on the cartridge, or on the wrapper.

5. Lightly lubricate the o-ring seal in the sump with silicone grease or Vaseline. Be sure it is fully seated in the groove.

6. Hold the sump up to the filter head aligning the center hole in the cartridge with the protrusion on the bottom of the head.

Note: If the sump will not tighten up to the head you may have the cartridge in upside down. Take the cartridge out and check for correct orientation.

7. Being careful not to cross-thread, turn (counterclockwise) the sump onto the filter head and tighten securely.

8. Open the sink cold faucet. Then slowly open the water supply shutoff valve and allow the filter housing to fill.

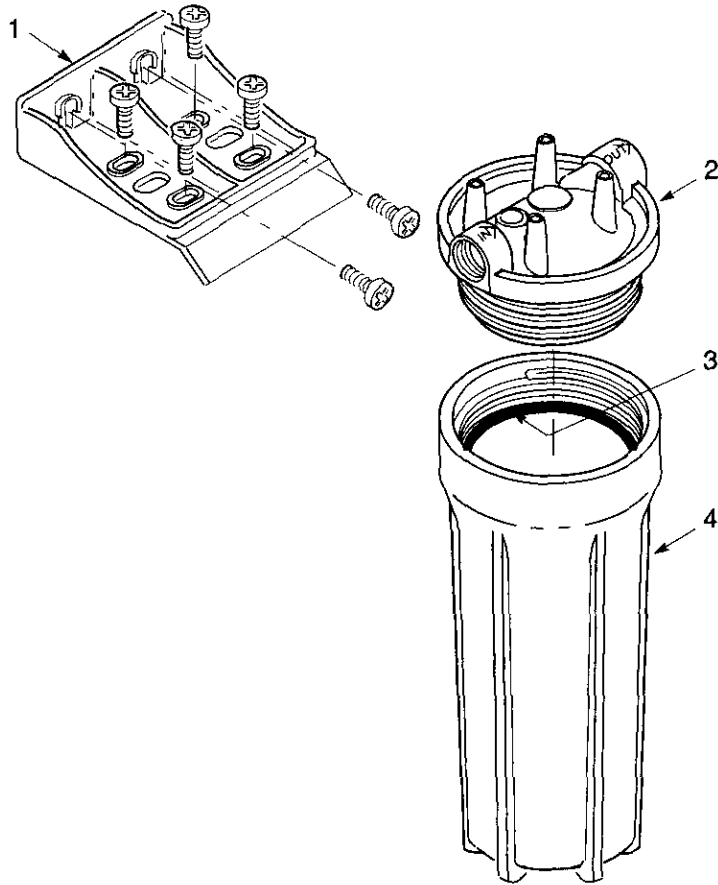
9. Close the sink faucet. Then check for leaks between the sump and the head.

Note: If leaking turn off the water supply and open the sink cold faucet to depressurize the filter. Then disassemble the filter and check the o-ring for cuts, flat spots, etc., and sealing surfaces for foreign material. Clean the o-ring and lubricate with silicone grease or Vaseline. Carefully press into the groove in the sump.

10. **Taste and Odor Cartridges:** A taste and odor cartridge contains activated carbon, a black powder. After the new cartridge is installed open the filtered water faucet and allow fine, harmless carbon particles to purge from the cartridge. Close the faucet when you no longer see the "fines" in the filtered water, or approximately 2 - 3 minutes.

## REPAIR PARTS

### Kenmore Undersink Water Filter Housing, Model No. 625.384500



KEY NO.	PART NUMBER	DESCRIPTION
1	7231296	Mounting Bracket (includes screws)
2	7156535	Head
3	42-34385	O-ring, 3-3/8" I.D. x 3-5/8" O.D.
4	7156577	Sump
◆	7228073	Owners Manual
♣	42-38478	Sediment Cartridge, 25 micron
♣	42-38480	Sediment Cartridge, 5 micron
♣	42-34370	Taste & Odor Cartridge, 95% chlorine reduction
♣	42-34373	Premium Taste & Odor Cartridge, 98% chlorine reduction

♣ available options from Sears (at time of printing), not illustrated, and not included with Water Filter Housing

◆ not illustrated



## OWNERS MANUAL

**MODEL NO.**  
**625.384500**

The model number of your water filter housing is found on the rating decal, on the filter sump.

When requesting service or ordering parts, always provide the following information:

- ◆ Product Type
- ◆ Model Number
- ◆ Part Number
- ◆ Part Description



## UNDERSINK WATER FILTER HOUSING

**For the repair or replacement parts you need**

Call 7 am - 7 pm, 7 days a week

**1 - 800 - 366 - PART**

(1 - 800 - 366 - 7278)

**For in-home major brand repair service**

Call 24 hours a day, 7 days a week

**1 - 800 - 4 - REPAIR**

(1 - 800 - 473 - 7247)

**For the location of a  
Sears Repair Service Center in your area**

Call 24 hours a day, 7 days a week

**1 - 800 - 488 - 1222**

**For information on purchasing a Sears  
Maintenance Agreement, or to inquire  
about an existing Agreement**

Call 9 am - 5 pm, Monday - Saturday

**1 - 800 - 827 - 6655**

**Sears, Roebuck and Co., Hoffman Estates, IL 60179 U.S.A.**

7228073 (R. 01/05/01)

## Free Manuals Download Website

<http://myh66.com>

<http://usermanuals.us>

<http://www.somanuals.com>

<http://www.4manuals.cc>

<http://www.manual-lib.com>

<http://www.404manual.com>

<http://www.luxmanual.com>

<http://aubethermostatmanual.com>

Golf course search by state

<http://golfingnear.com>

Email search by domain

<http://emailbydomain.com>

Auto manuals search

<http://auto.somanuals.com>

TV manuals search

<http://tv.somanuals.com>