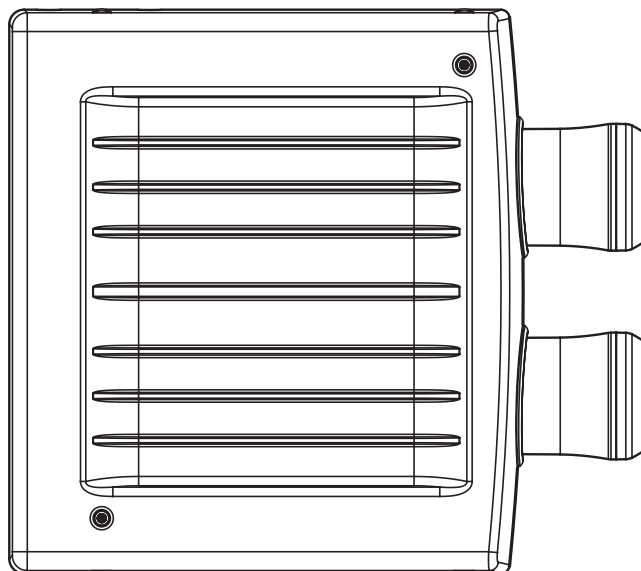


OWNER'S MANUAL



Advanced Two-Stage Drinking Water Filter

MODEL NO. 625.385010



Caution:

Read and follow all safety rules and operating instructions before first use of this product.

Questions ?

Visit www.KenmoreWater.com

or call toll free 1-800-426-9345 (M - F, 7 AM - 8 PM CST)

Repair or Parts ? Call toll free 1-800-469-4663

See back cover for other Sears service numbers.

SAVE THIS MANUAL

- Warranty
- Installation
- How It Works
- Care Of
- Specifications
- Repair Parts



System Tested and Certified by NSF International against NSF/ANSI Standard 42 and 53. See performance data sheet for details.

Sears, Roebuck and Co., 3333 Beverly Road, Hoffman Estates, IL 60179 U.S.A.

Warranty

ONE YEAR FULL WARRANTY ON THE KENMORE ELITE ADVANCED TWO-STAGE DRINKING WATER FILTER

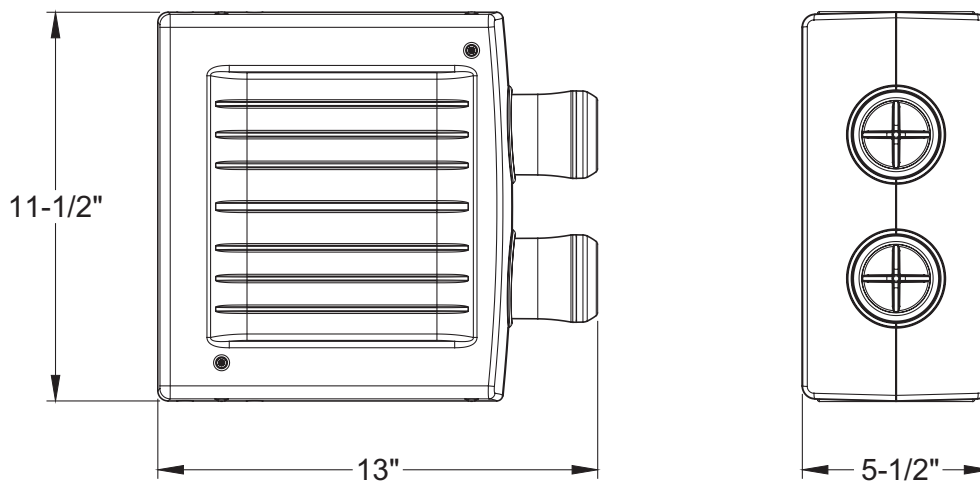
When installed, operated and maintained according to all instructions supplied with the product, if this Two-Stage Drinking Water Filter fails due to a defect in material or workmanship within one year from the date of purchase, call 1-800-4-MY-HOME to arrange for free repair (or replacement if repair proves impossible). This warranty does not include filter cartridges, which are expendable items.

This warranty applies only while this product is in use in the United States or Canada.

This warranty gives you specific legal rights, and you may have other rights which vary from state to state.

Sears, Roebuck and Co., Hoffman Estates, IL 60179

Dimensions



Questions? Call The Kenmore Water Line 1-800-426-9345 or visit KenmoreWater.com

Table of Contents

Unpack and Check Shipment	4
Plan Your Installation	5
Step 1-Install Supply Water Fitting	6
Step 2-Install Filtered Water Faucet	7
Step 3-Connect Tubes	8
Maintenance	9
Specifications	10
Troubleshooting	10
Exploded View & Parts List	11

Safety Guides

- ▼ Read all steps and guides carefully before installing and using your Advanced Two-Stage Drinking Water Filter. Follow all steps exactly to correctly install. Reading this manual will also help you to get all the benefits from the Advanced Two-Stage Drinking Water Filter.
- ▼ Do not attempt to use this product to make safe drinking water from non-potable water sources. Do not use the system on microbiologically unsafe water, or water of unknown quality without adequate disinfection before or after the system. This system is certified for cyst reduction and may be used on disinfected water that may contain filterable cysts.
- ▼ Check with your local public works department for plumbing and sanitation codes. You must follow their guides as you install the system. Follow your local codes if they differ with guides in this manual. In Massachusetts, plumbing code 248-CMR 3.00 and 10.00 shall be adhered to. Consult with a licensed plumber.
- ▼ The Advanced Two-Stage Drinking Water Filter works on water pressures of 30 psi (minimum) to 125 psi (maximum). If your house water pressure is over the maximum, install a pressure reducing valve in the water supply pipe to the Advanced Two-Stage Drinking Water Filter.
- ▼ Do not install the Advanced Two-Stage Drinking Water Filter outside, or in extreme hot or cold temperatures. Temperature of the water supply to the Advanced Two-Stage Drinking Water Filter must be between 40°F and 100°F. Do not install on hot water.

Questions? Call The Kenmore Water Line 1-800-426-9345 or visit KenmoreWater.com

Unpack and Check Your Carton

INSPECT SHIPMENT

Your Advanced Two-Stage Drinking Water Filter is shipped complete in one carton. Remove all items from your shipping carton.

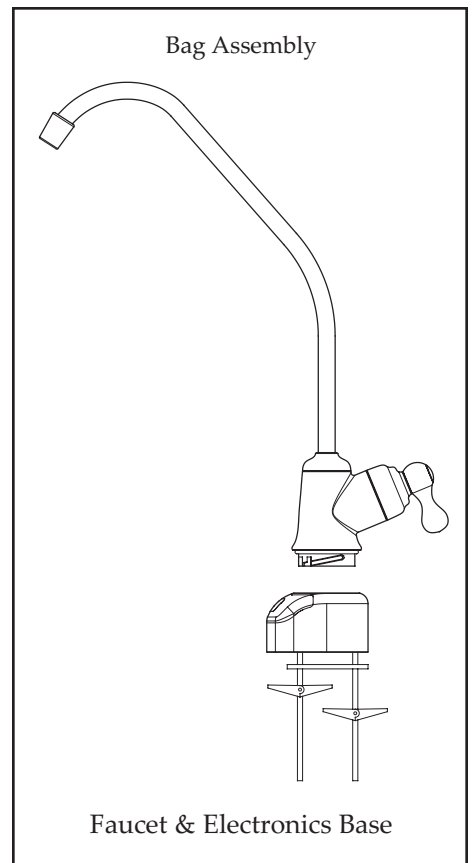
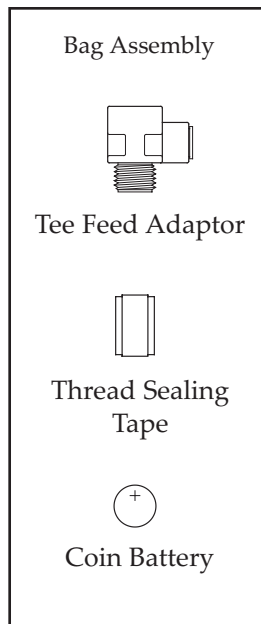
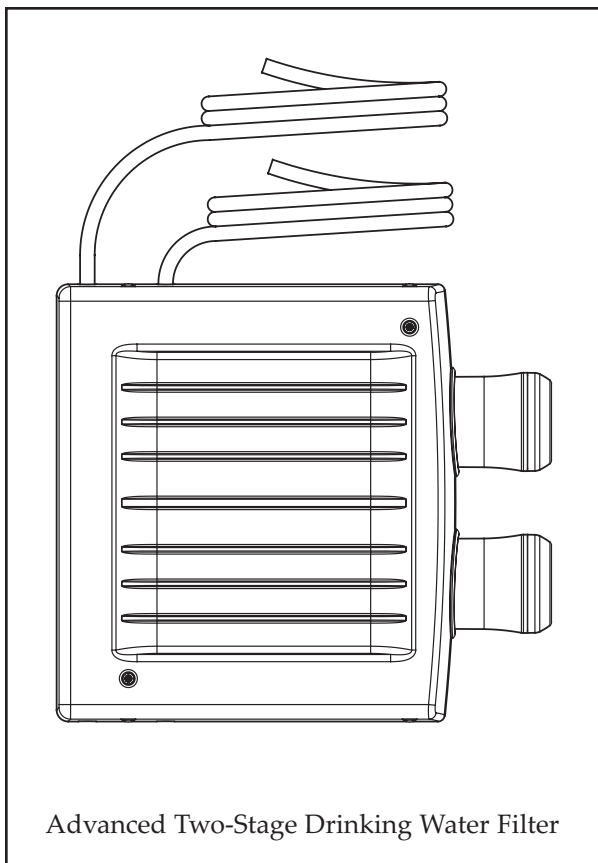
Check all items against the packing list below. Note any items lost or damaged in shipment. Note any damage to the shipping carton. Refer to the exploded view and parts list in the back of the manual for the part names and numbers of missing or damaged items. If problems exist, refer to the website or the toll free number listed throughout this manual.

Keep the small parts in the parts bag until you are ready to install them.

NOTE: Codes in the state of Massachusetts require installation by a licensed plumber.

If you live in the state of Massachusetts, review plumbing code 248-CMR of the Commonwealth of Massachusetts before proceeding with the installation.

Packing List



Questions? Call The Kenmore Water Line 1-800-426-9345 or visit KenmoreWater.com

Plan Your Installation

PLAN YOUR INSTALLATION

It is recommended to read through the entire manual before beginning your installation. Follow all steps exactly. Reading this manual will also help you get all the benefits from your system.

TYPICAL UNDER SINK LOCATION

The Advanced Two-Stage Drinking Water Filter housing is normally located under the kitchen and/or bathroom sink, to filter the cold drinking water. See Figure 2.

CHECK SPACE REQUIREMENTS

Check size and position of items for proper installation into location chosen.

TOOLS NEEDED

Review the tools needed list. See Figure 1. Gather needed tools before proceeding with the installation. Read and follow the instructions provided with any tools listed here.

IMPORTANT: A 1-1/4" dia. hole is needed to mount the filtered water faucet. To avoid damaging the sink, consult a qualified plumber or installer for drilling procedures in porcelain or stainless steel.

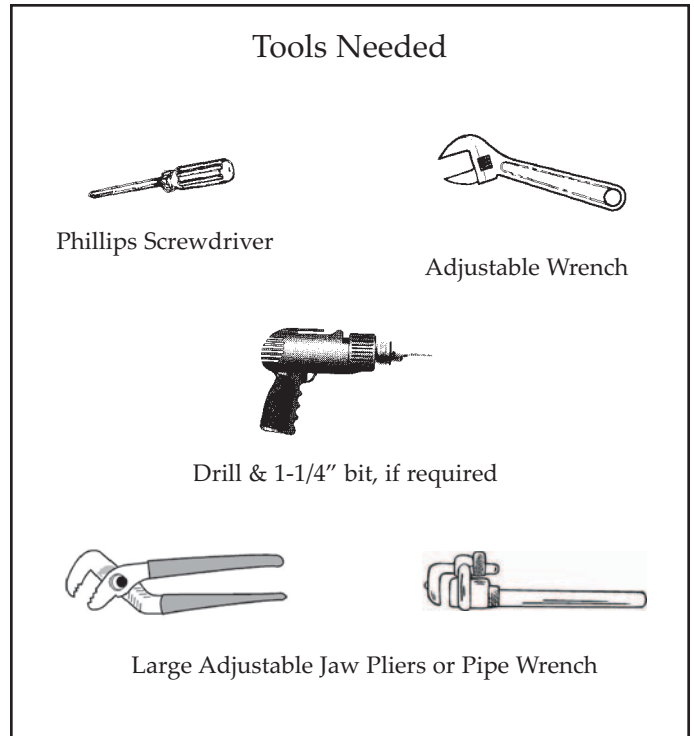


Figure 1

Typical Under Sink Installation

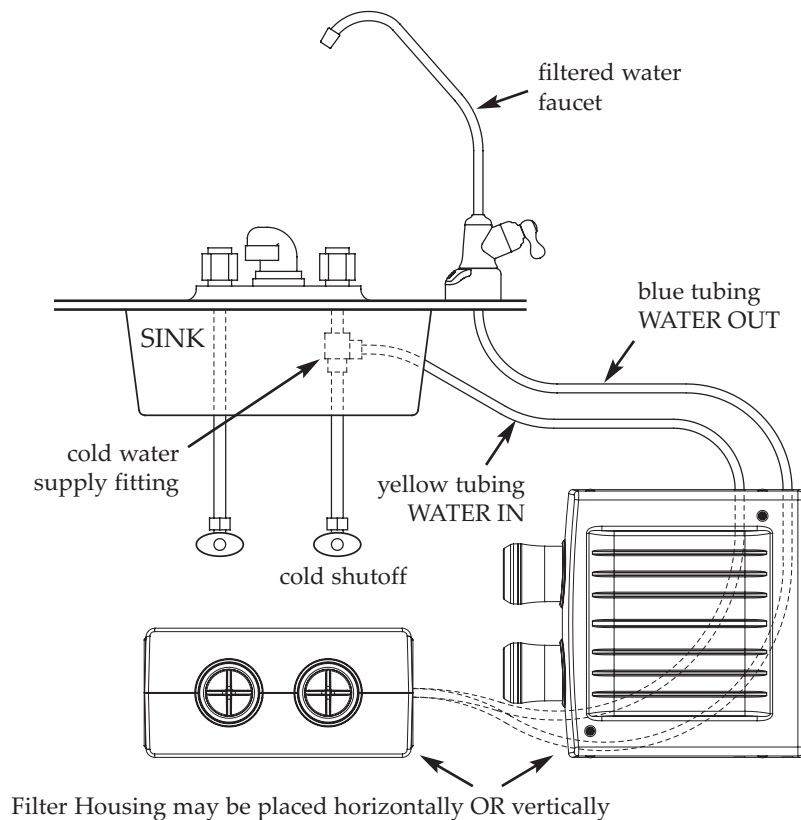


Figure 2

Questions? Call The Kenmore Water Line 1-800-426-9345 or visit KenmoreWater.com

Step 1 - Install Water Supply Fitting

CHOOSE TYPE OF WATER SUPPLY FITTING TO INSTALL

Locate the cold water line in the sink cabinet. Check and comply with local plumbing codes as you plan, and then install a water supply fitting on the sink's cold water line. The fitting must provide a leak-tight connection to the Advanced Two-Stage Drinking Water Filter's 3/8" O.D. inlet tubing. A typical connection using the included water supply fitting is shown in Fig. 3. An alternative connection using standard plumbing fittings (not included) is shown in Fig. 4.

NOTE: Local code may dictate which type of water fitting is used. Consult a plumber if you are not familiar with local codes or plumbing procedures.

NOTE: Codes in the state of Massachusetts require installation by a licensed plumber.

If you live in the state of Massachusetts, review plumbing code 248-CMR of the Commonwealth of Massachusetts before proceeding with the installation.

A. WATER SUPPLY CONNECTION USING INCLUDED FITTING

1. Close the house main water shutoff valve and open faucets to drain water from the sink's cold water pipe.
2. Remove the nut that connects the cold water faucet to cold water plumbing.
3. Thread the included water supply fitting onto the pipe and reconnect nut to bottom of fitting.

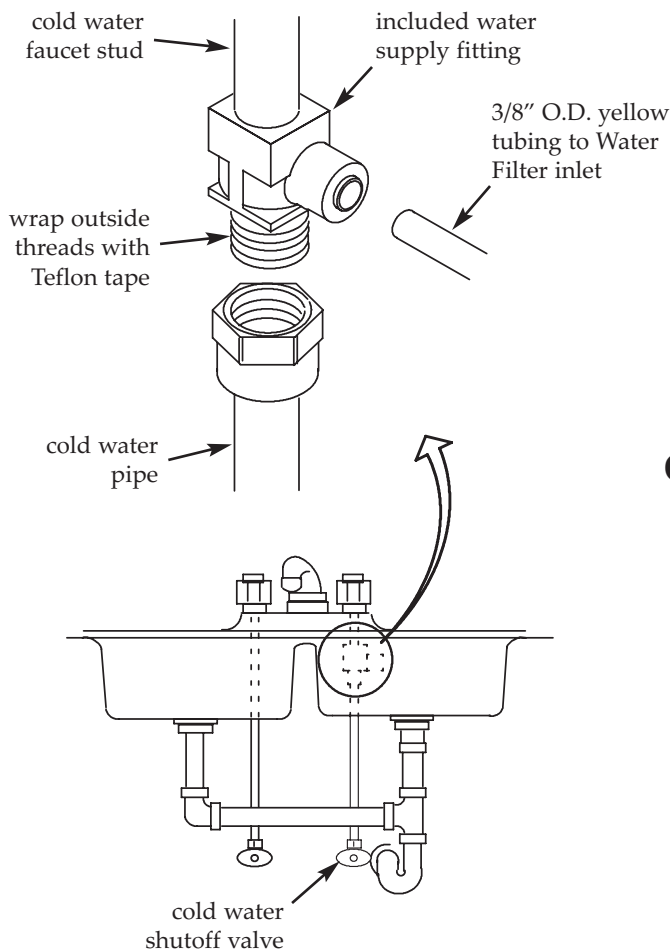


Figure 3

B. WATER SUPPLY TYPICAL CONNECTION USING COMPRESSION TYPE FITTING (PARTS NOT INCLUDED)

NOTE: Before starting, be sure to turn off water supply and open a low faucet to drain the pipe.

Complying with plumbing codes, install a fitting on the cold water pipe to adapt to 3/8" O.D. tubing. A typical connection is shown in Figure 4. If threaded fittings are used, be sure to use pipe joint compound or Teflon tape on outside threads.

OR

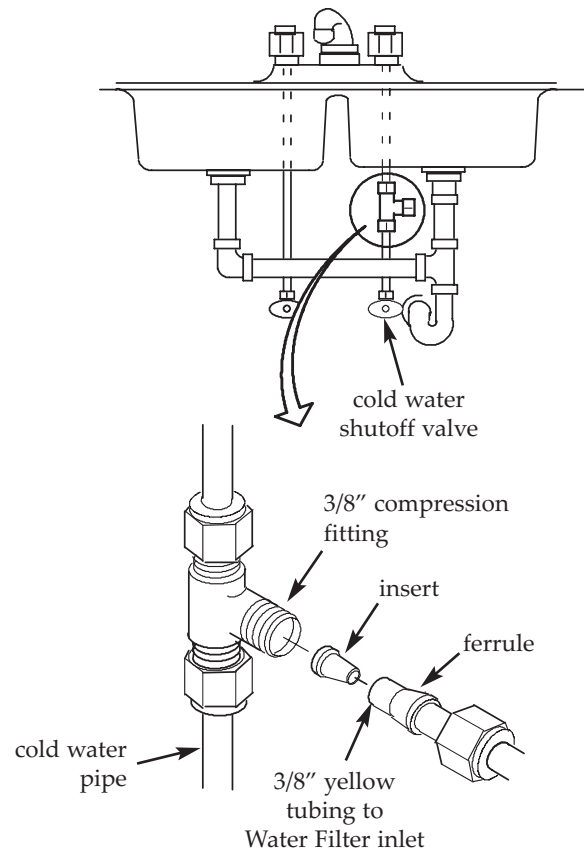


Figure 4

Questions? Call The Kenmore Water Line 1-800-426-9345 or visit KenmoreWater.com

Step 2 - Install Filtered Water Faucet

MAKE HOLE FOR FAUCET

IMPORTANT: A 1-1/4" dia. hole is needed to mount the filtered water faucet. To avoid damaging the sink, consult a qualified plumber or installer for drilling procedures in porcelain or stainless steel.

1. Select one of the following options to install the faucet. Make sure there is room underneath to make the needed connections.
 - Use an existing sink top hole for spray hose or soap dispenser (must be 1-1/4" in diameter).
 - Drill a new hole in the sink top.
 - Drill a hole in the countertop next to the sink.
2. Check to make sure the filtered water faucet base will sit flat against the mounting surface.
3. If drilling is needed, make a 1-1/4" dia. (minimum) hole for the faucet in the mounting surface.

INSTALL FAUCET BASE

1. Locate the faucet base (See Fig. 5) and feed the toggle bolts down through the hole until the faucet base is square against the mounting surface (sink or countertop). The rubber gasket should be between the faucet base and mounting surface.
2. Tighten the toggle bolts until the faucet base is firmly mounted to the surface. **Do not overtighten.**

CONNECT BLUE TUBE TO FAUCET

1. Place the Advanced Two-Stage Drinking Water Filter housing under the sink. It can sit upright or on its side.
2. Locate the blue tube. One end is attached to the filter housing. Feed the other end up through the mounting hole and faucet base. See Figure 6.
3. Refer to the "Cut Tubes to Length" section on Page 8 and cut the blue tube square and to length as needed, leaving about 6 inches above the faucet base.
4. Locate the faucet. Refer to the "Connect Tubes" section on Page 8 and insert the blue tube all the way into the 3/8" quick connect fitting on the faucet bottom.
5. Pull on the tube to be sure it is held firmly in the fitting.

INSTALL FAUCET ON BASE

1. Lower the faucet onto the base. See Figure 7.
2. Give the faucet a 1/4 turn clockwise to attach the faucet to the base.
3. Install battery in faucet base (See "Change Battery" section on Page 9) then continue installation with Step 3 on Page 8.

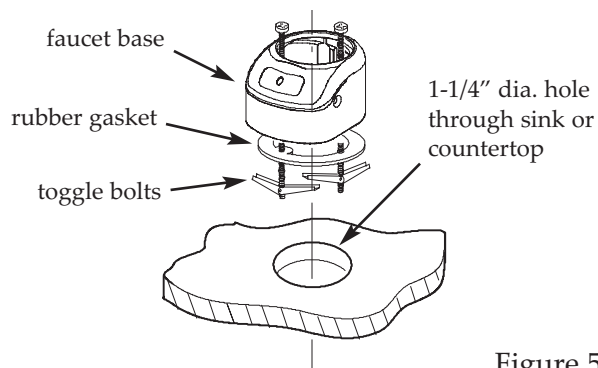


Figure 5

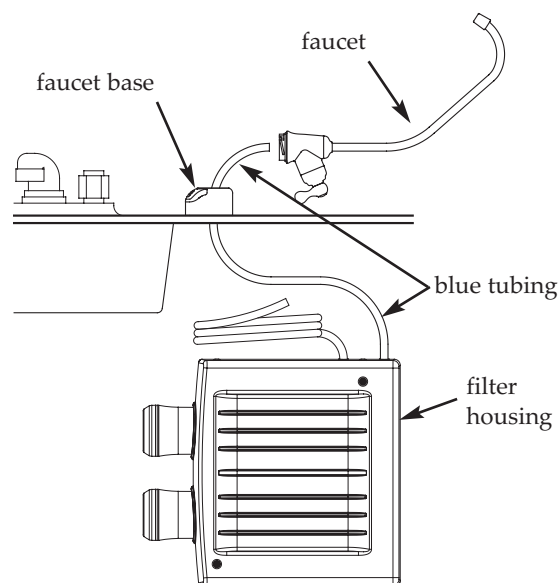


Figure 6

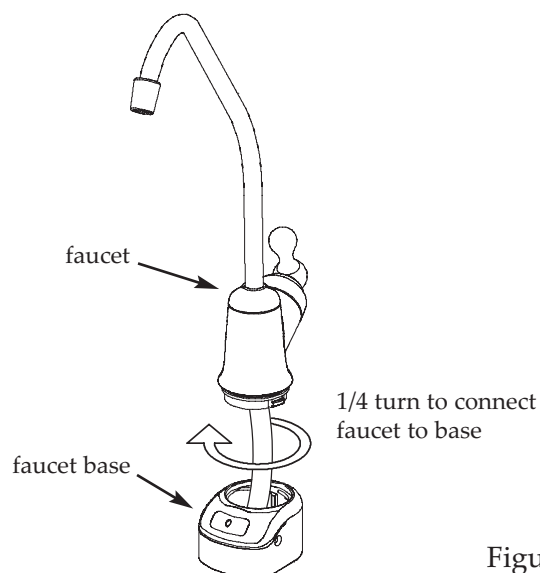


Figure 7

Questions? Call The Kenmore Water Line 1-800-426-9345 or visit KenmoreWater.com

Step 3 - Connect Tubes

CONNECT YELLOW TUBE TO WATER SUPPLY FITTING

1. Locate the yellow tube. One end is attached to the filter housing. Run the other end to the water supply fitting on the cold water pipe. See Figure 8.
2. Refer to the "Cut Tubes to Length" section, below, and cut the yellow tube square and to length as needed.
3. Refer to the "Connect Tubes" section, below, and insert the yellow tube all the way into the 3/8" quick connect fitting on included water supply fitting (installed in Step 1).
4. Pull on the tube to be sure it is held firmly in the fitting.

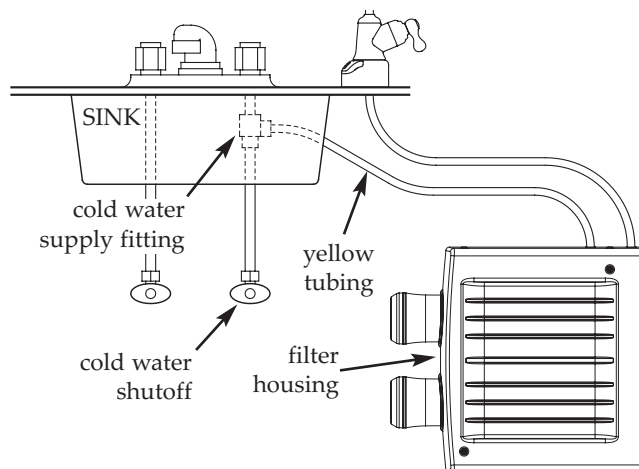


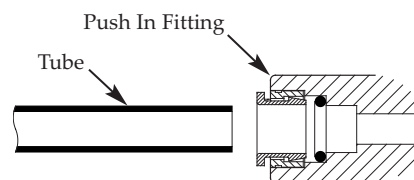
Figure 8

HOW TO CUT AND CONNECT THE TUBES

Your Advanced Two-Stage Drinking Water Filter includes push-in fittings for quick tubing connection. Review the following before connecting the tubes.

Cut tubes to length

1. Use a sharp cutter or knife to cut the end of tubing. Always cut the tubing square. See Figure 9.
2. Inspect the end (about 1") of the tubing to be sure there are no nicks, scratches or other rough spots. If needed, cut the tubing again.



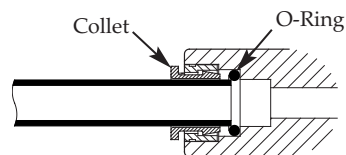
Cut tubing square with end of tubing round, smooth, with no cuts, nicks or flat spots.

Tube Correctly Cut

Figure 9

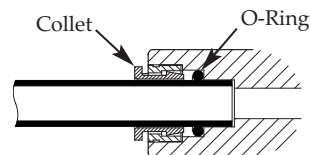
Connect tubes

1. Push tubing through collet, until it engages the o-ring. See Figure 10. Continue pushing until the tube bottoms out against the back of the fitting. See Figure 11. A common mistake is to stop pushing when the tube engages the o-ring. This will lead to future leaks. When a 3/8" tube is fully engaged, 3/4" of the tube has entered the fitting. See Figures 10 & 11.
2. If using tubing other than tubing supplied with the system, be sure it is of high quality, exact size and roundness with a smooth surface.



Tube Partially Engaged With Fitting

Figure 10

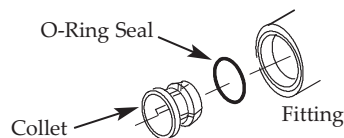


Tube Fully Engaged With Fitting

Figure 11

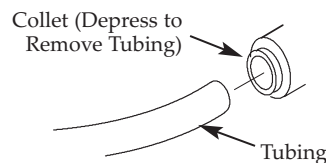
Disconnect Tubes

1. Push the collet inward with a finger tip. See Figure 12.
2. Continue holding collet inward while pulling the tubing out. See Figure 13.



Collet and O-Ring

Figure 13



Disconnect Tubing

Figure 12

Questions? Call The Kenmore Water Line 1-800-426-9345 or visit KenmoreWater.com

Maintenance

FAUCET ELECTRONICS

Inside the faucet base is a battery operated 6 month timer. See Figure 14.

An amber LED indicator is also located in the front of the faucet base. This LED will flash continuously after 6 months has passed. This indicates that it is time to replace the battery and filter cartridges.

CHANGE BATTERY

To change (or install) the battery, complete the following steps.

1. Loosen the screw on the right side of the faucet base
See Figure 14.
2. Press the battery housing upwards from the front faucet base until it releases from the faucet base. See Figure 14.
3. Replace (or install) the battery (Maxell CR 2032 or equivalent). Place battery into the holder with the positive (+) side facing the back of the holder.
4. When the battery is first replaced it will flash six times and turn off. This indicates the battery is fully charged. After the six flashes, the timer enters the 6 month time cycle.

NOTE: If the LED repeatedly flashes just two times, it is not a fully charged battery and will need to be replaced.

5. Re-install the timer housing and firmly tighten the mounting screw. See Figure 14.

FILTER CARTRIDGE LIFE

It is recommended to replace the battery and filter cartridges every 6 months of use. There are several variables that determine how long a cartridge will last. These include:

1. How much water you use, and
2. How much sediment, taste and/or odor, or other unwanted substances, are in the water.

Use the following information as a guide. However no matter which type of cartridge you are using, you will know it is time to replace it when you first notice the return of unwanted substances in your water.

Kenmore Elite Advanced Two-Stage Drinking Water Filter model 625.385010 with replacement element pack 42-34381 conforms to NSF/ANSI 42 and 53 for the specific performance claims as verified and substantiated by test data. The rated capacity for this system is 280 gallons (1060 liters) at a rated service flow of 0.5 gpm (gallons per minute).

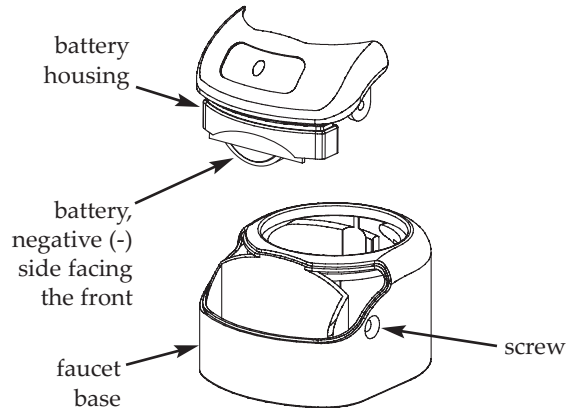


Figure 14

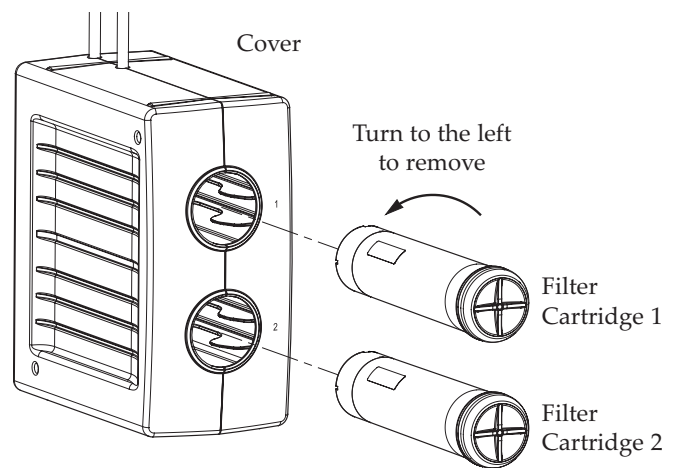


Figure 15

FILTER CARTRIDGE REPLACEMENT

Complete the following steps to replace the cartridges:

1. Turn filter cartridge to the left to remove cartridges from the filter heads. See Figure 15.
2. Dispose of the old cartridges in a proper manner.
3. Install new cartridges, making sure to insert cartridge 1 and 2 into the correct opening (note the printing on the cover designating "Cartridge 1" and "Cartridge 2"). Turn cartridges to the right to re-attach to the filter heads.
4. Remove and replace the timer battery. See "Change Battery" above.

Taste and Odor Cartridges: Filter cartridges contain activated carbon, a black powder. When new, open the filtered water faucet and allow fine carbon particles to purge from the cartridge. Close the faucet when you no longer see the "fines" (carbon particulates) in the filtered water, or approximately 10 minutes.

Questions? Call The Kenmore Water Line 1-800-426-9345 or visit KenmoreWater.com

Specifications

Supply water pressure limits30-125 psi (207-862 kPa)
 Supply water temperature limits40-100 °F (5-40 °C)
 Inlet - Outlet3/8" O.D. tubing, included

This system conforms to NSF/ANSI 42 and 53 for the specific performance claims as verified and substantiated by test data.

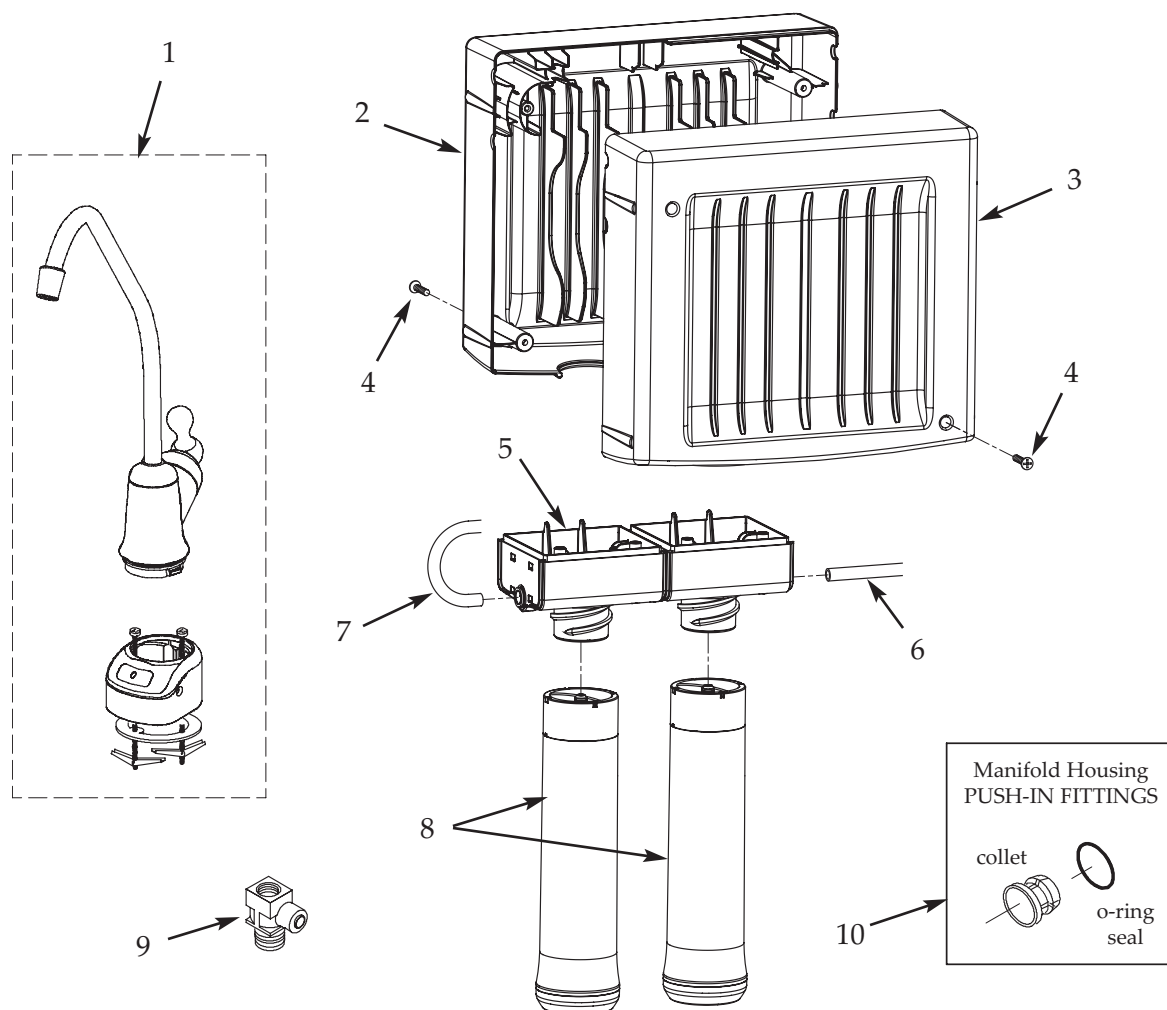
Installations In The Commonwealth Of Massachusetts: The Commonwealth of Massachusetts requires installation be performed by a licensed plumber. Plumbing code 248--CMR of the Commonwealth of Massachusetts must be followed in these cases.

Troubleshooting

Problem: Taste and/or Odor.	
Cause: Pre & Post filter expended.	Correction: Replace the filter cartridges. See Page 9.
Cause: System contaminated.	Correction: Sanitize system. Call 1-800-426-9345 for instructions.
Problem: Faucet LED indicator light does not function after battery change.	
Cause: Battery dead.	Correction: Replace with new battery. See Page 9.
Cause: Battery installed incorrectly..	Correction: Install battery correctly.
Problem: Water leaks at push connect fittings.	
Cause: Tubing not pushed in all the way.	Correction: Push Tubing all the way into fittings. See Page 8.
Cause: Tubing not cut square.	Correction: Cut tubing square. See Page 8.
Cause: Tubing nicked.	Correction: Remove tube from connection. Remove nicked portion by cutting tube to shorter length. Reinsert in connection See Page 8.
Cause: Outer tubing surface not smooth.	Correction: Remove tube from connection. Remove problem area by cutting tube to shorter length. Reinsert in connection See Page 8.

Questions? Call The Kenmore Water Line 1-800-426-9345 or visit KenmoreWater.com

Repair Parts



Key No.	Part No.	Description
1	7292674	Faucet, with base & electronics
2	7294359	Cover Half, marked "Cartridge 1" & "Cartridge 2"
3	7293175	Cover Half, unmarked (order decal below)
■	7288447	Decal, Kenmore Elite badge
4	7294579	Screw, Cover (4 req.)
5	7280106	Head Assembly
6	7208057	Tubing, 3/8" O.D. x 72" long, Yellow
7	7207962	Tubing, 3/8" O.D. x 72" long, Blue
8	42-34381	Filter Cartridge 1 & 2 set *
9	7228536	Tee Feed Adaptor
10	7281013	Push-in Fitting Kit, 3/8" ◆
■	7154818	Coin Battery
■	7294294	Owner's Manual

* Purchase replacement filter cartridges at your local Sears store, online at www.sears.com or from Sears Parts at 1-800-469-4663.

◆ O-ring and collet kit for replacement in the manifold housing only. Not included.

■ Not illustrated.

Questions? Call The Kenmore Water Line 1-800-426-9345 or visit KenmoreWater.com

Get it fixed, at your home or ours!

Your Home

For repair – **in your home** – of **all** major brand appliances, lawn and garden equipment, or heating and cooling systems, **no matter who made it, no matter who sold it!**

For the replacement parts, accessories and owner's manuals that you need to do-it-yourself.

For Sears professional installation of home appliances and items like garage door openers and water heaters.

1-800-4-MY-HOME[®] (1-800-469-4663)

Call anytime, day or night (U.S.A. and Canada)

www.sears.com www.sears.ca

For expert home solutions advice: www.managemyhome.com

Our Home

For repair of carry-in items like vacuums, lawn equipment, and electronics, call or go on-line for the location of your nearest

Sears Parts & Repair Service Center

1-800-488-1222 (U.S.A.) **1-800-469-4663** (Canada)

Call anytime, day or night

www.sears.com www.sears.ca

To purchase a protection agreement on a product serviced by Sears:

1-800-827-6655 (U.S.A.)

1-800-361-6665 (Canada)

Para pedir servicio de reparación a domicilio, y para ordenar piezas:

1-888-SU-HOGAR[®]

(1-888-784-6427)

Au Canada pour service en français:

1-800-LE-FOYER^{MC}

(1-800-533-6937)

www.sears.ca



Free Manuals Download Website

<http://myh66.com>

<http://usermanuals.us>

<http://www.somanuals.com>

<http://www.4manuals.cc>

<http://www.manual-lib.com>

<http://www.404manual.com>

<http://www.luxmanual.com>

<http://aubethermostatmanual.com>

Golf course search by state

<http://golfingnear.com>

Email search by domain

<http://emailbydomain.com>

Auto manuals search

<http://auto.somanuals.com>

TV manuals search

<http://tv.somanuals.com>