

**EEC PERSONAL PROTECTIVE EQUIPMENT DIRECTIVE
89/686/EEC Article 10**

DECLARATION OF CONFORMITY

We hereby certify that the KENNEDY Welding Helmet Model HAS413 complies with all the relevant provisions of the EC Directive 89/686/EEC as last amended by EEC Directive 96/58/EEC

Harmonised Standards Applied: DIN 15. EN175S, EN379 4/9-13 ER 1/2/1 DIN CE, ANSI Z87.1

Manufactured for **KENNEDY TOOLS** Wigston Works, Leicester, England.
ISO 9001 REGISTERED COMPANY

Signed: *Martin Cooke*
Name: Martin Cooke

Position: Director, The Kennedy Group Ltd.
Date: 1st August 2004



QUALITY GUARANTEE & WARRANTY

KENNEDY TOOLS carry a one year manufacturers warranty.

KENNEDY TOOLS are designed & manufactured to the highest standards & specifications.

Assuring the quality and performance required by all sectors of industry.

KENNEDY TOOLS are fully guaranteed against faulty materials & workmanship.

Should they be found to be defective, they will either be repaired or replaced free of charge (fair wear and tear and/or misuse excepted).

Please retain supplier invoice as proof of purchase.

AVAILABLE FROM YOUR DISTRIBUTOR

KENNEDY TOOLS

Wigston Works, Leicester, England.

Kennedy is a registered trade mark of The Kennedy Group Ltd.

© The Kennedy Group Ltd. 09/07

KENNEDY®
QUALITY INDUSTRIAL TOOLING

MIG/TIG WELDING HELMET

MODEL HAS413
KEN-885-5020K

- Solar power
- Auto light sensors
- Light to Dark:
0.0001 seconds
- Dark to Light:
0.1 - 0.5 seconds
- Control switching from
shade to shade 9-13
- High Impact resistance
- Clear view filter
- Permanent UV/IR
protection up to
DIN 15
- Light weight-less
than 0.5kg



www.kennedy-tools.co.uk

INSTRUCTION MANUAL

Please retain this information for future reference.

KENNEDY thoroughly recommends reading these instructions before using the welding helmet, even if you have used one before. Reading these instructions carefully and understanding them fully will enable you to perform tasks correctly and will prevent injury to yourself, someone else and avoid damage to property.

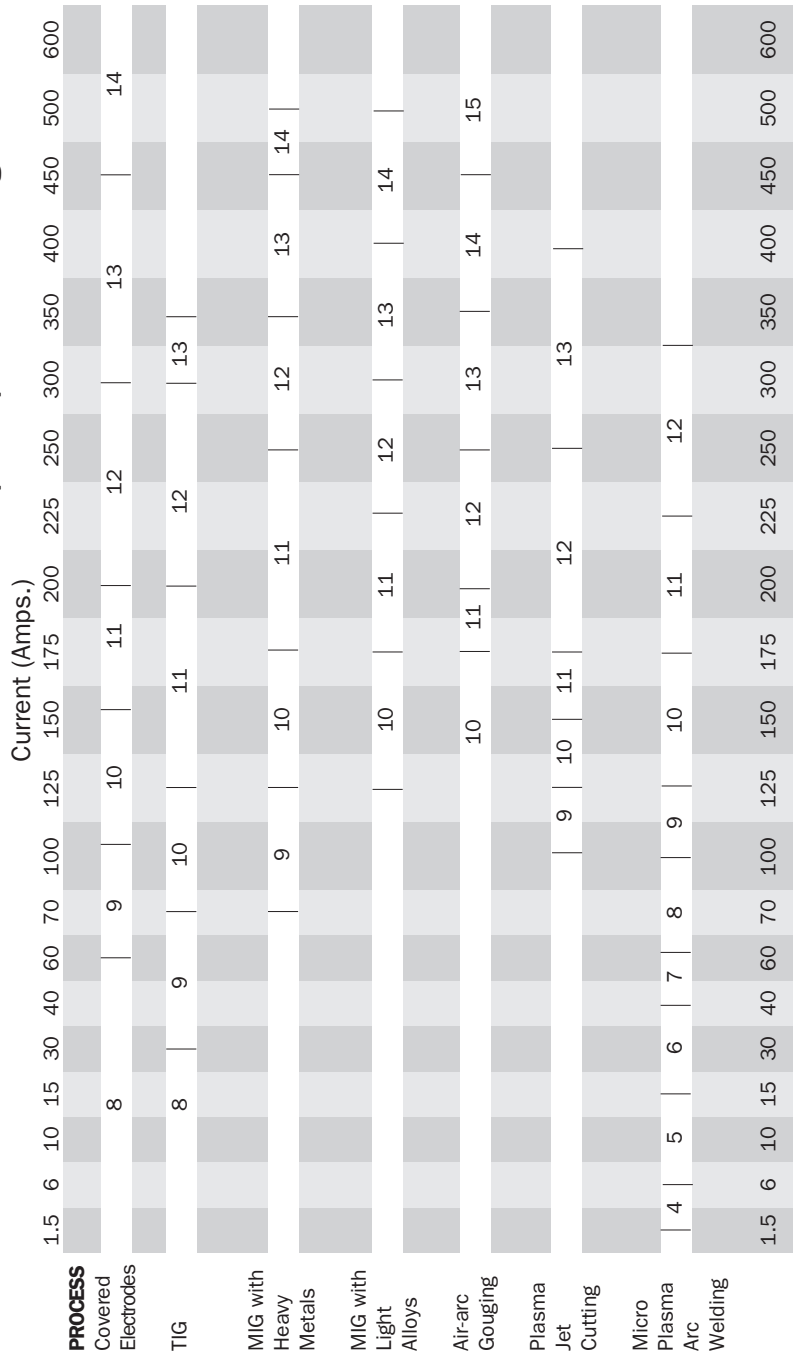
SAFETY GUIDELINES

- Always follow the instructions or you may suffer physical injury or damage to property as a result.
- Always be aware of health and safety regulations regarding welding.
- Always wear correct eye and body protection.
- Always keep away from fumes and work in a well ventilated area.
- Always remove ill fitting clothing, ties, watches, rings, other loose jewellery and contain long hair.
- Always ensure that the dark shade of the lens in the welding helmet is set to the correct shade number for your application. (see page 6)
- Always ensure that the helmet is clean and regularly inspected for breaks, cracking, pitting or anything that may affect the operators vision. Should any of the mentioned occur the plate should be replaced. Note: Please use identical replacement parts and accessories intended for this tool, the use of other parts will void the warranty.
- Always use machine guards or eye splash protection if the hazards of explosive devices or corrosive liquids are being used as this helmet will not protect against these.
- Always wear impact resistant primary eye protection, spectacles or goggles that meet current ANSI specifications when using this welding helmet.
- Always check your helmet fits properly.
- Welding helmets are designed to protect the eyes and face from sparks, spatter and harmful radiation under normal welding conditions. They will not protect against severe impact hazards, including fragmenting grinding discs, and therefore must never be used for protection whilst grinding.
- Never use this helmet and lens for 'overhead' welding application, laser welding, or laser cutting applications.
- Never make any modifications to the welding lens or helmet, use only genuine Kennedy replacement parts or you will void warranty and expose the user to the risk of personal injury.
- Never use work positions that could expose unprotected areas of the body to spark, spatter, direct and/or reflected radiation. Use adequate protection if exposure cannot be avoided.
- Never continue to use this helmet if the lens does not darken when striking the arc. Should this occur you will need a new helmet and dispose of the old one in accordance with national and local legislation.
- Never immerse this product into water.
- Never use any solvents on any lens or helmet components.
- Never use this device beyond the recommended temperature limits. The recommended operating temperature range for the welding lens is: 23°F - 131°F (-5°C to 55°C).
- Never disassemble the filter, any problems arising, please contact your local Kennedy distributor.
- Never operate when you are tired, under the influence of alcohol, drugs or intoxicating medication.
- Never drop or use if damaged

OTHER PRODUCTS AVAILABLE FROM YOUR DISTRIBUTOR



Recommended use of different shades of shade (4 - 15) for arc welding



Note: The term "heavy metals" applies to steel, alloy steels, copper and its alloys etc.

INTRODUCTION

The Kennedy Jet Black Auto welding mask is designed using the latest technology to automatically protect the user's eyes from arc light damage and leave both hands free to increase accuracy, efficiency and therefore productivity.

Fitted with automatic filters that are transparent before welding, it enables the operator to observe the workpiece clearly. When striking the arc, the filter darkens automatically with immediate effect. When the arc goes out, the filter will become transparent again. The switching time from light to dark is approximately 1 millisecond, and the switching time from dark to light may be set at between 0.1 - 0.5 second.

The mask is equipped with a continuous darkness-adjusting unit, so the operator may select an arbitrary darker shade number ranging from 9 to 13.

The mask also provides complete protection against UV/IR to DIN15 even in transparent mode.

The mask is powered by solar power cells and is equipped with two sets of photo sensors to sense arc light.

The outer protection plate is made of high polymer materials that are spatter resistant and thermostable, ensuring a long service life.

TECHNICAL SPECIFICATIONS

Filter dimensions	110 x 90 x 8mm
View area	96 x 42mm
Light shade number	4
Dark shade number	9 - 13
UV/IR protection	DIN15
Time from light to dark	0.0001s
Time from dark to light	0.1 - 0.5s
Power supply	Solar cells
Operating temperature	-5°C - 55°C (23°F - 131°F)
Weight495g

CONTENTS

- Mask including automatic filter lens and controller
- Headband
- Instruction Manual

OPERATING INSTRUCTIONS

ASSEMBLY

Assemble the mask as shown in fig.1 opposite

POWER SUPPLY

Power supply is provided by solar cells controlled with micro circuitry which automatically turns the helmet on and off without having to touch a switch or button.

DARKNESS SELECTION

When you strike an arc, the observation window darkens immediately and at this moment the operator needs to adjust the darkness shade by turning the knob to the optimum shade for the current work being undertaken. (see page 6.)

Fitting

All heads are different shapes and sizes, therefore it is important to adjust the headband to fit and set at the correct observation angle. To do this, firstly adjust the skull strap (8) to the correct position to locate the sweat band (7) comfortably on your forehead. Secondly, adjust the tightness by depressing and turning the tightness adjuster (10) to suit - do not over tighten as this will cause headaches. Finally, loosen the locking nuts (13) to enable you to pivot the mask to the desired viewing angle on the positioning plate (9) then tighten the locking nuts again.

MAINTENANCE

CHANGING THE PROTECTION PLATES

This welding helmet must always be installed with an inner and outer protection plate before welding. These may need replacing at some point.

To replace the lens/protection plates:

Firstly, remove the fixing screws (5) and the frame (1).

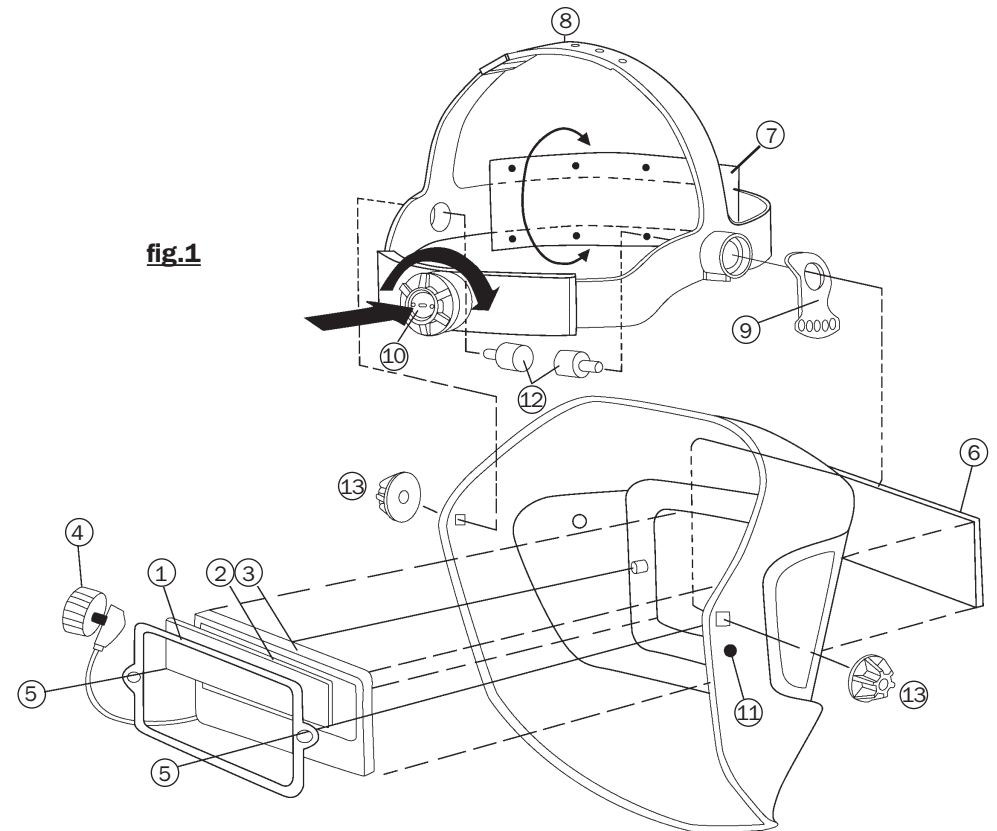
To remove the inner protection plate (2), lever out with a finger nail from the recess in the centre above the plate and to replace, locate one side behind the corner tabs then flex in the middle in order to locate behind the tabs on the other side.

To remove the outer protection plate (6), first you must remove the filter lens assembly (3) as above, then from the inside press the outer protection plate in the middle to remove. To replace, insert the new one, locate one side behind the side tabs on the outside then flex in the middle in order to locate behind the tabs on the other side.

CLEANING

This welding helmet should be cleaned regularly with a fine soft brush to remove dust and particles. If absolutely necessary, you may clean with soapy water after removing the filter lens assembly completely.

To do this, pull the shade adjusting knob off it's spline, remove the 10mm locking nut then remove the lens from between protection plates as described above. Do **not** immerse in water.



1. Frame
2. Inner protection plate
3. Automatic filter lens
4. Darkness shade control knob
5. Fixing screw
6. Outer Protection plate
7. Sweat band
8. Skull strap
9. Positioning plate
10. Tightness adjuster
11. Positioning point for the positioning plate
12. Fixing screws for headband
13. Locking nut

SPARES AVAILABLE

Product Number	Description	Order Code
HAI8857983K	Inner Protective Plate	CTL-885-7983K
HAI8857983E	Outer Protective Plate	CTL-885-7983E
HAI8850004A	Head Gear Pad	PRO-885-0004A

Free Manuals Download Website

<http://myh66.com>

<http://usermanuals.us>

<http://www.somanuals.com>

<http://www.4manuals.cc>

<http://www.manual-lib.com>

<http://www.404manual.com>

<http://www.luxmanual.com>

<http://aubethermostatmanual.com>

Golf course search by state

<http://golfingnear.com>

Email search by domain

<http://emailbydomain.com>

Auto manuals search

<http://auto.somanuals.com>

TV manuals search

<http://tv.somanuals.com>