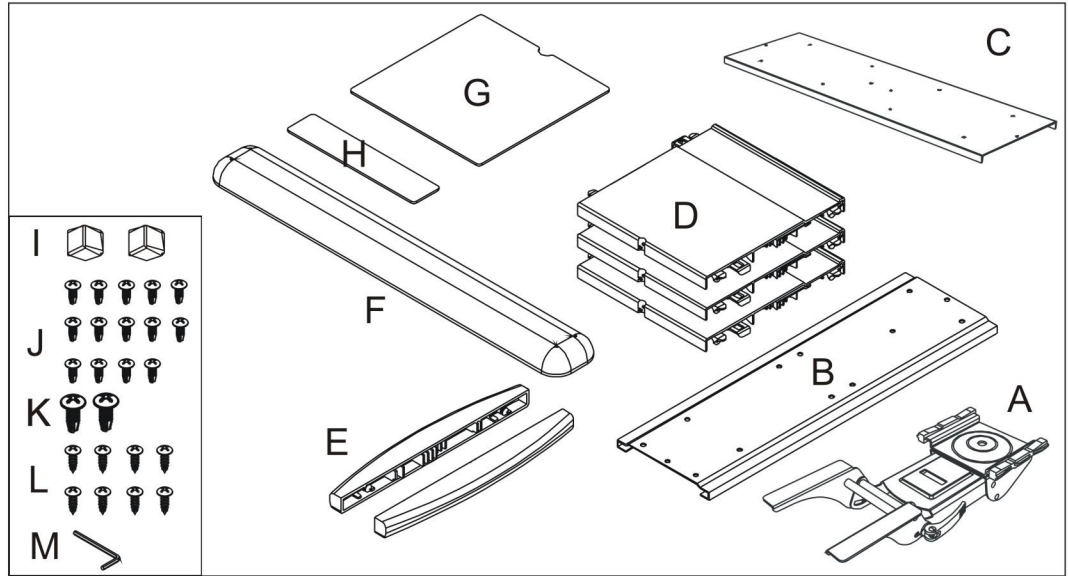
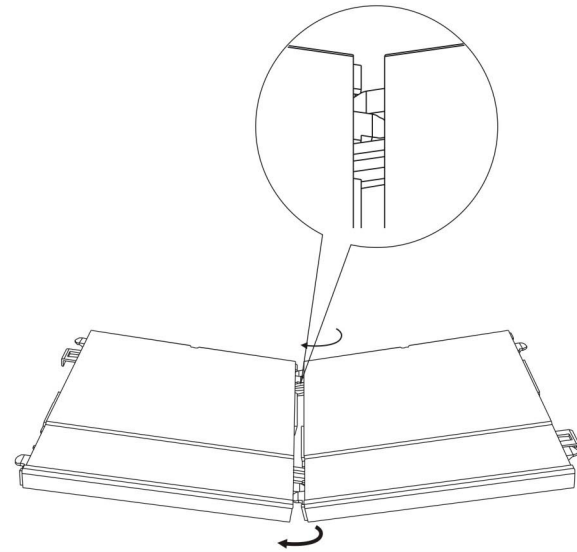
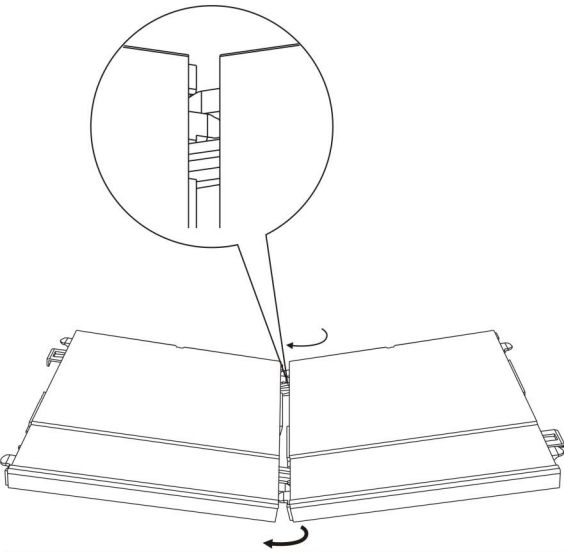


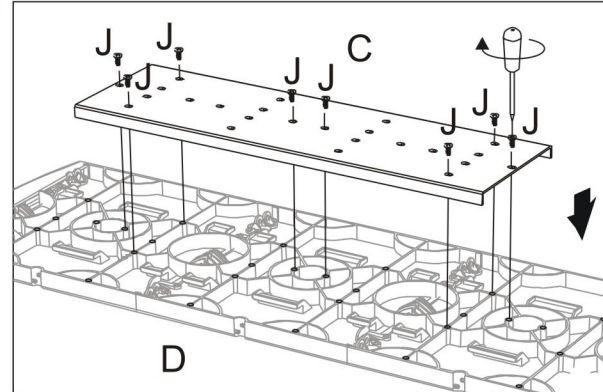
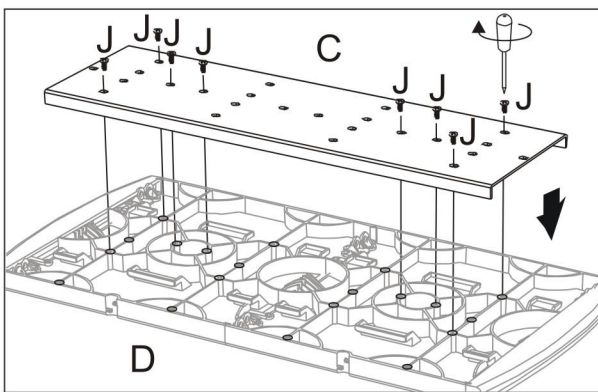
- Parts:**
- 1 Articulating Arm (A)
 - 1 Track (B)
 - 1 Support Beam (C)
 - 3 Platforms (D)
 - 2 Platform End Caps (E)
 - 1 Wrist Rest (F)
 - 1 Mouse Pad (G)
 - 1 EVA (H)
 - 2 Stops (I)
 - 14 Phillip Screws (J)
 - 2 Phillip Screws (K)
 - 8 Sheet Platform Screws (L)
 - 1 Allen wrench (M)



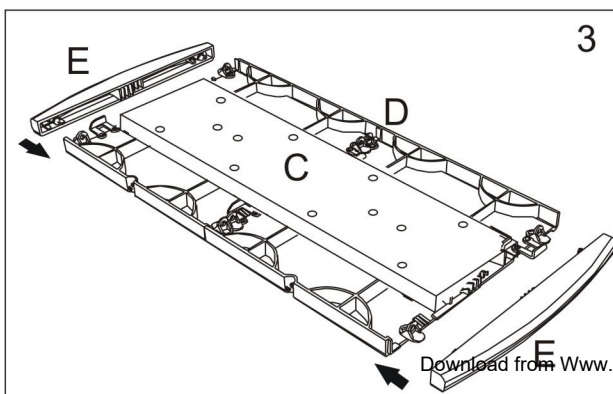
1. Attach Platform to go from 2 Platforms to 3 Platforms.



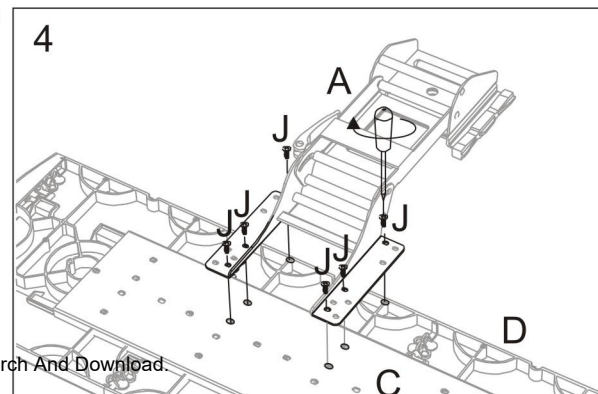
2. Attach support beam (C) onto platform (D) using Phillip screw (J)



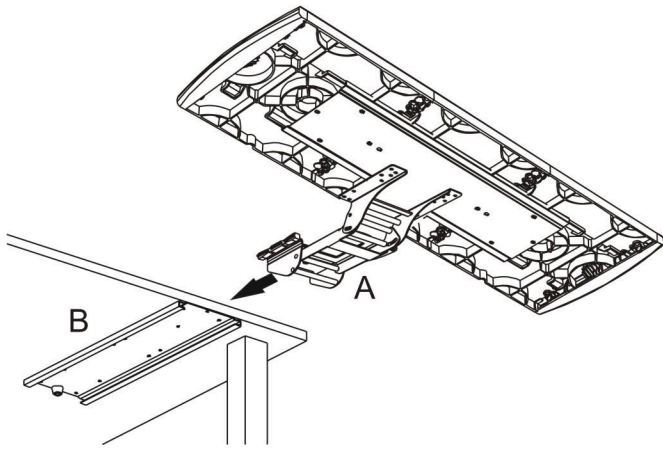
3. Attach platform endcaps (E) to platform (D).



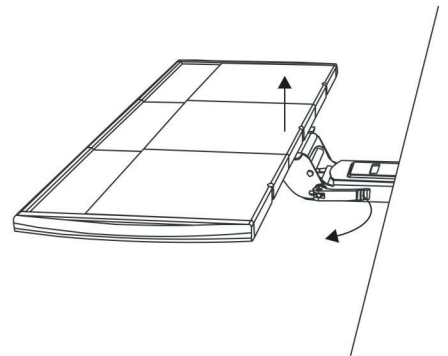
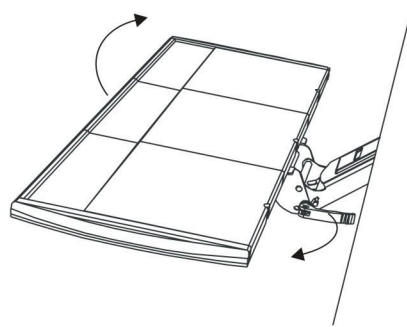
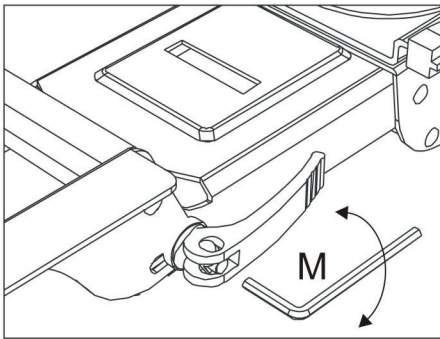
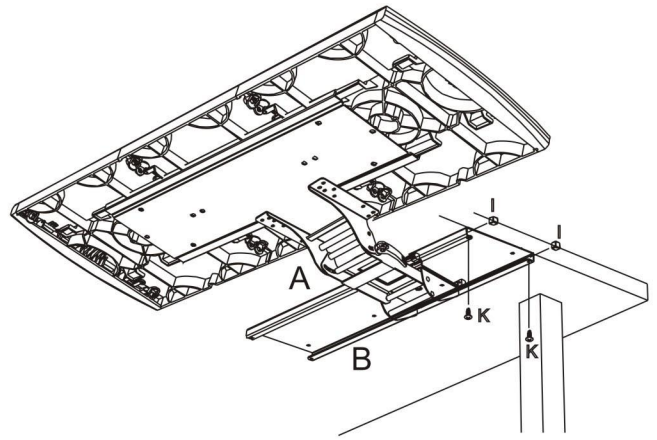
4. Attach articulating arm (A) to support beam/platform (C/D) using phillip screws (J).



5. Slide Articulating Arm(A) into Track(B)



6. Install stops(I) and secure with phillip screws(K)



Kensington Computer Products Group
333 Twin Dolphin Drive 6th Floor
Redwood Shores, CA94065
USA

Kensington Computer Products Group
A Division of ACCO Brands Europe
Oxford House, Oxford Road
Aylesbury Buckinghamshire, HP21 8SZ
United Kingdom

ACCO Canada Inc.
5 Precidio Court,
Brampton, Ontario,
Canada L6S 6B7

www.kensington.com

Kensington is a registered trademark of ACCO World Corporation. All other registered and unregistered trademarks are the property of their respective owners. © 2007 Kensington Technology Group. A Division of ACCO Brands, Inc. All rights reserved.

Free Manuals Download Website

<http://myh66.com>

<http://usermanuals.us>

<http://www.somanuals.com>

<http://www.4manuals.cc>

<http://www.manual-lib.com>

<http://www.404manual.com>

<http://www.luxmanual.com>

<http://aubethermostatmanual.com>

Golf course search by state

<http://golfingnear.com>

Email search by domain

<http://emailbydomain.com>

Auto manuals search

<http://auto.somanuals.com>

TV manuals search

<http://tv.somanuals.com>