

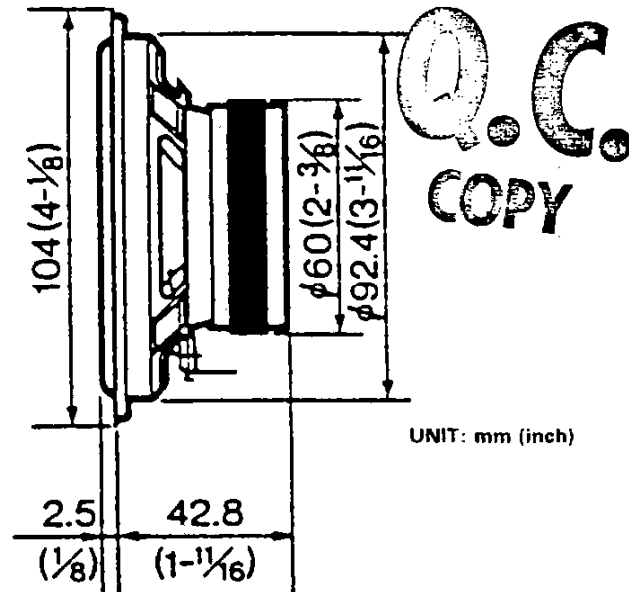
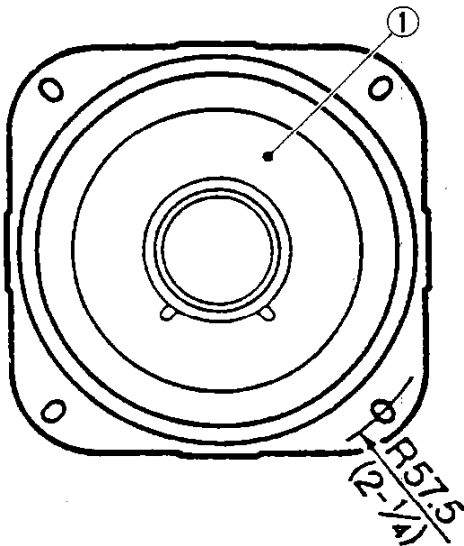
KFC-1013C

SERVICE MANUAL

KENWOOD

©1990-11 PRINTED IN JAPAN
B51-6255-00(B)1397

EXTERNAL VIEW



UNIT: mm (inch)

SPECIFICATIONS

Speakers	
Woofer	10 cm (4 in) Water proof treatment cone type 88 g (3.1 oz) Magnet
Peak power	40 Watts
Frequency Response	60 Hz-21,000 Hz
Sensitivity	90 dB/W at 1 m
Impedance	4 ohms
Weight per speaker with grille	0.33 kg (11.6 oz)/pc

We follow a policy of advancements in development.
For this reason specifications may be changed without notice.

PARTS LIST

★ New parts
Parts without **Parts No.** are not supplied.
Les articles non mentionnés dans le **Parts No.** ne sont pas fournis.
Teile ohne **Parts No.** werden nicht geliefert.

Ref No.	New Parts	Parts No.	Description
		E30-5060-08	CORD SET
		N99-1176-08	SCREW SET
①	★	T07-0165-08	SPEAKER

Free Manuals Download Website

<http://myh66.com>

<http://usermanuals.us>

<http://www.somanuals.com>

<http://www.4manuals.cc>

<http://www.manual-lib.com>

<http://www.404manual.com>

<http://www.luxmanual.com>

<http://aubethermostatmanual.com>

Golf course search by state

<http://golfingnear.com>

Email search by domain

<http://emailbydomain.com>

Auto manuals search

<http://auto.somanuals.com>

TV manuals search

<http://tv.somanuals.com>