

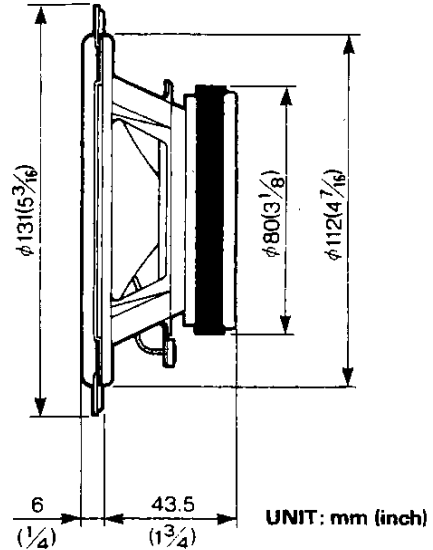
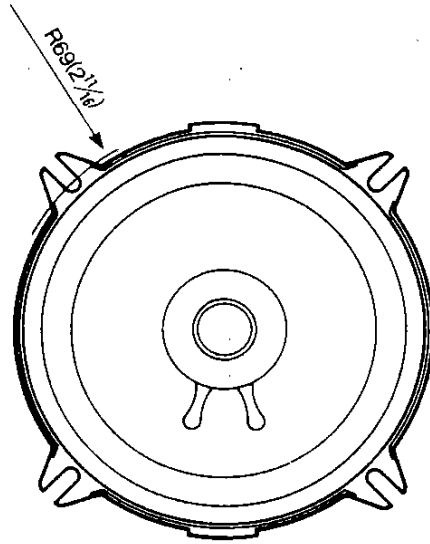
# KFC-136E

## SERVICE MANUAL

# KENWOOD




©1988-12 PRINTED IN JAPAN  
B51-3770-00(B)1107

**EXTERNAL VIEW**



COPY

**PARTS INCLUDED**

-  4.5m(15ft) ..... x2
-  φ4-20(3/4-3/4) ..... x8
-  ..... x8

**SPECIFICATIONS**

- Speaker.....13cm(5 1/4in) Water proof treatment  
cone type
- 167g(5.9oz) Magnet
- Peak input power.....50 Watts
- Frequency Response.....60Hz ~ 20,000Hz
- Sensitivity.....91dB/W at 1m
- Impedance.....4 ohms
- Weight per speaker.....0.55kg(1 lb 3 oz)/pc

We follow a policy of advancements in development.  
For this reason specifications may be changed without notice.

**PARTS LIST**

★ New parts  
Parts without **Parts No.** are not supplied.  
Les articles non mentionnés dans le **Parts No.** ne sont pas fournis.  
Teile ohne **Parts No.** werden nicht geliefert.

Ref No.	New Parts	Parts No.	Description
		B46-0100-10	WARRANTY CARD
	★	E30-1237-08	CORD SET
	★	N99-1088-08	SCREW SET
	★	T07-0144-08	SPEAKER

## Free Manuals Download Website

<http://myh66.com>

<http://usermanuals.us>

<http://www.somanuals.com>

<http://www.4manuals.cc>

<http://www.manual-lib.com>

<http://www.404manual.com>

<http://www.luxmanual.com>

<http://aubethermostatmanual.com>

Golf course search by state

<http://golfingnear.com>

Email search by domain

<http://emailbydomain.com>

Auto manuals search

<http://auto.somanuals.com>

TV manuals search

<http://tv.somanuals.com>