

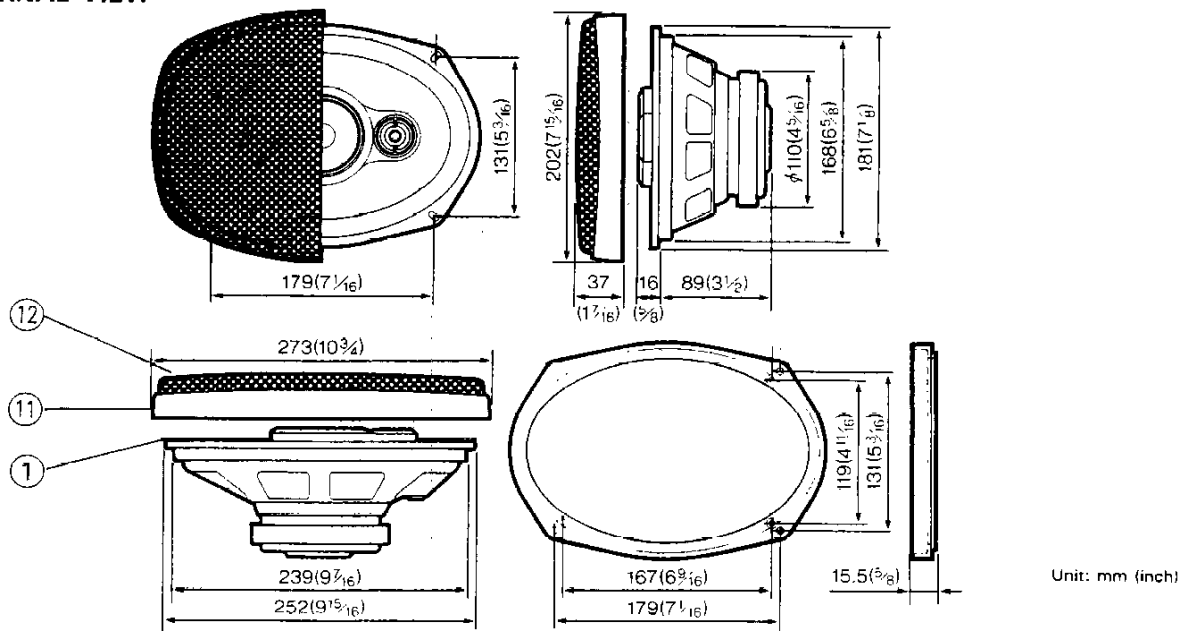
# KFC-7180 SERVICE MANUAL

# Q.C. COPY

# KENWOOD

©1992-10 PRINTED IN JAPAN  
B51-6519-00 (MC)472

## EXTERNAL VIEW



## PARTS INCLUDED

- ② ..... x2
- ③ ..... x8
- ④ ..... x8
- ⑤ M4x12(M<sup>3</sup>/<sub>16</sub>x<sup>1</sup>/<sub>2</sub>) ..... x8
- ⑥ φ4x20(φ<sup>3</sup>/<sub>16</sub>x<sup>13</sup>/<sub>16</sub>) ..... x8
- ⑦ φ4x40(φ<sup>3</sup>/<sub>16</sub>x<sup>13</sup>/<sub>16</sub>) ..... x8
- ⑧ ..... x8
- ⑨ 4.5m(15ft) ..... x2
- ⑩ ..... x1
- ⑪ ..... x2
- ⑫ ..... x2

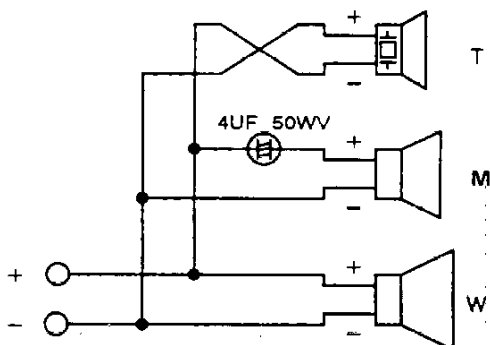
## SPECIFICATIONS

- Speakers
- Woofers ..... 181 × 252mm (7 × 10 in)  
Injection P.P. Cone Type  
510g (18 oz) Magnet
  - Mid-Range ..... 70mm (2<sup>3</sup>/<sub>4</sub> in)  
Water Resistant Cone Type
  - Tweeter ..... 25mm (1 in) Dome Type
  - Peak Power ..... 240 Watts
  - Frequency Response ..... 26 Hz ~ 26,000 Hz
  - Sensitivity ..... 92 dB/W at 1m
  - Impedance ..... 4 Ohms
  - Weight Per Speaker With Grille ..... 4,660g (10.3 lb)/Pair

## PARTS LIST

★ New parts  
Parts without **Parts No.** are not supplied.  
Les articles non mentionnés dans le **Parts No.** ne sont pas fournis.  
Teile ohne **Parts No.** werden nicht geliefert.

## NETWORK



Ref No.	New Parts	Parts No.	Description
①	★	B06-0733-08	GRILLE
②	★	E30-5141-08	CORD SET
⑫	★	F09-1048-08	PROTECTOR ASSY
②	★	J30-0842-08	SPACER
④	★	J31-0331-08	COLLAR SET
⑩	★	J69-0120-08	VISCOUS TAPE
③⑤⑥⑦⑧	★	N99-1237-08	SCREW SET
①	★	T15-0220-08	SPEAKER

## Free Manuals Download Website

<http://myh66.com>

<http://usermanuals.us>

<http://www.somanuals.com>

<http://www.4manuals.cc>

<http://www.manual-lib.com>

<http://www.404manual.com>

<http://www.luxmanual.com>

<http://aubethermostatmanual.com>

Golf course search by state

<http://golfingnear.com>

Email search by domain

<http://emailbydomain.com>

Auto manuals search

<http://auto.somanuals.com>

TV manuals search

<http://tv.somanuals.com>