

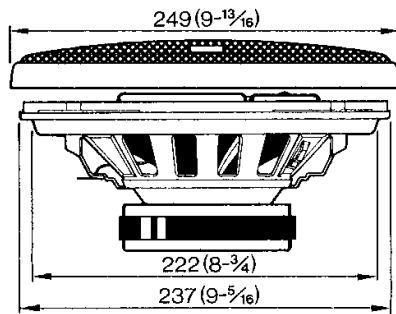
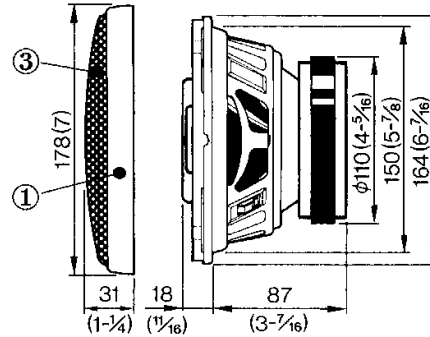
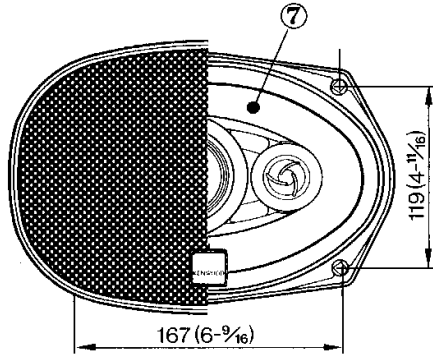
DOOR/REAR DECK SPEAKER  
**KFC-HQ691**  
 SERVICE MANUAL

**KENWOOD**

© 1995-11 PRINTED IN JAPAN  
 B51-6921-00(N)1342

**EXTERNAL VIEW**

**UNIT : mm (inch)**



**PARTS INCLUDED**

- ③ Grille ..... X 2
- ① Protector ..... X 2
- ⑥ Cord set (φ4x40) ..... X 8
- ⑥ Cord set (M4x70) ..... X 8
- ⑥ Nut (M4) ..... X 8
- ② Cord set (4.5m/15ft) ..... X 2
- ⑥ Washer (M4) ..... X 8
- ⑤ Viscous tape ..... X 1
- ⑥ Washer (φ4) ..... X 8

**SPECIFICATIONS**

- Speakers
- Woofer ..... 153 x 229mm (6 x 9in) Injection P.P.Cone Type  
510g (18oz) Magnet
  - Midrange ..... 70mm (2-3/4in) Resin-Coated Cone Type
  - Tweeter ..... 25mm (1in) P.I.Film Balanced Dome Type
  - Peak Power ..... 200Watts
  - Frequency Response ..... 28Hz ~ 30,000Hz
  - Sensitivity ..... 92dB/W at 1m
  - Impedance ..... 4 Ohms
  - Net Weight With Grille ..... 5,120g (11.3lb)/Pair

Note: **KENWOOD** follows a policy of continuous advancements in development. For this reason specifications may be changed without notice.

**PARTS LIST**

\* New parts

Parts without **Parts No.** are not supplied.

Ref No.	New parts	Parts No.	Description
①	*	B06-0974-08	GRILLE
②		E30-5116-08	CORD SET
③	*	F09-1124-08	PROTECTOR
⑤		J69-0103-08	VISCOUS TAPE
⑥		N99-1220-08	SCREW SET
⑦	*	T15-0314-08	SPEAKER

## Free Manuals Download Website

<http://myh66.com>

<http://usermanuals.us>

<http://www.somanuals.com>

<http://www.4manuals.cc>

<http://www.manual-lib.com>

<http://www.404manual.com>

<http://www.luxmanual.com>

<http://aubethermostatmanual.com>

Golf course search by state

<http://golfingnear.com>

Email search by domain

<http://emailbydomain.com>

Auto manuals search

<http://auto.somanuals.com>

TV manuals search

<http://tv.somanuals.com>