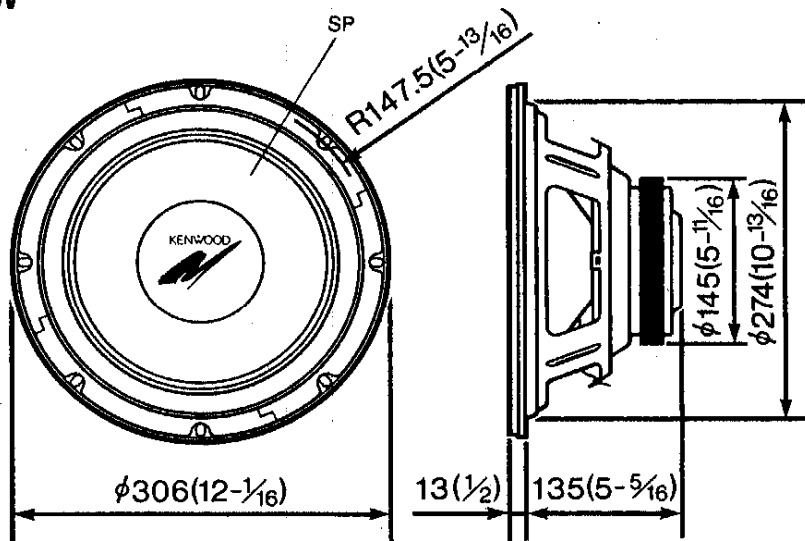


# KFC-W3080

## SERVICE MANUAL

© 1994-7 PRINTED IN JAPAN  
B51-6729-00(N) 1276

### EXTERNAL VIEW



UNIT : mm(inch)

### PARTS LIST

\* New parts  
Parts without **Parts No.** are not supplied.  
Les articles non mentionnés dans le **Parts No.** ne sont pas fournis.  
Teile ohne **Parts No.** werden nicht geliefert.



Ref No.	New parts	Parts No.	Description
①		N99-1270-08	SCREW SET
②		G13-1094-08	SPACER
SP	*	T10-0663-08	SPEAKER

### SPECIFICATIONS

Speaker \_\_\_\_\_ 300mm(12in) Injection P.P. Cone Type  
 1.2 kg (4.3 oz) Magnet  
 Peak Power \_\_\_\_\_ 450 Watts  
 Sensitivity \_\_\_\_\_ 93 dB / W at 1m  
 Frequency Response \_\_\_\_\_ 18 Hz ~ 4,000 Hz  
 Impedance \_\_\_\_\_ 8 Ohms  
 Net Weight \_\_\_\_\_ 4.6 kg (10.1 lb) / Pc.

KENWOOD follows a policy of continuous advancements in development. For this reason specification may be

### PARTS INCLUDED

- ①   $\phi 5 \times 25(3/16 \times 1)$  ..... X 8
- ②  ..... X 1

### KENWOOD CORPORATION

14-6, Doganzaka 1-chome, Shibuya-ku, Tokyo 150, Japan  
**KENWOOD SERVICE CORPORATION**  
 P.O. BOX 22745, 2201 East Dominguez St., Long Beach, CA 90801-5745, U.S.A.  
**KENWOOD ELECTRONICS CANADA INC.**  
 6070 Kestrel Road, Mississauga, Ontario, Canada L5T 1S8  
**KENWOOD ELECTRONICS LATIN AMERICA S.A.**  
 P.O. BOX 55-2791, Piso 6 Plaza Chase, Cl. 47 y Aquilino de la Guardia, Panama, Republic of Panama  
**TRIO-KENWOOD U.K. LIMITED**  
 KENWOOD House, Dwight Road, Watford, Herts., WD1 8EB United Kingdom  
**KENWOOD ELECTRONICS BENELUX N.V.**  
 Mechelsesteenweg 41B B-1930 Zaventem, Belgium  
**KENWOOD ELECTRONICS DEUTSCHLAND GMBH**  
 Rembrücker-Str. 15, 63150 Heusenstamm, Germany  
**TRIO-KENWOOD FRANCE S.A.**  
 13 Boulevard Ney, 75018 Paris, France  
**KENWOOD ELECTRONICS ITALIA S.p.A.**  
 Via G. Sirtori, 7/9 20129 Milano, Italy  
**KENWOOD ESPAÑA S.A.**  
 Bolivia, 239-06020 Barcelona, Spain  
**KENWOOD ELECTRONICS AUSTRALIA PTY. LTD.** (A.C.N. 001 499 074)  
 P.O. BOX 504, B Figtree Drive, Australia Centre, Homebush, N.S.W. 2140, Australia  
**KENWOOD & LEE ELECTRONICS, LTD.**  
 Unit 3712-3724, Level 37 Tower one, Metroplaza, 223 Hing Fong Road, Kwai Fong, N.T. Hong Kong  
**KENWOOD ELECTRONICS SINGAPORE PTE LTD.**  
 No. 1 Genting Lane #07-00, KENWOOD Building, Singapore, 1334  
**KENWOOD ELECTRONICS (MALAYSIA) SDN LTD.**  
 10th Floor, Block B, Wisma Semantan, No. 12, Jalan Gelenggang, Bukit Damansara, 50490 Kuala Lumpur, Malaysia

## Free Manuals Download Website

<http://myh66.com>

<http://usermanuals.us>

<http://www.somanuals.com>

<http://www.4manuals.cc>

<http://www.manual-lib.com>

<http://www.404manual.com>

<http://www.luxmanual.com>

<http://aubethermostatmanual.com>

Golf course search by state

<http://golfingnear.com>

Email search by domain

<http://emailbydomain.com>

Auto manuals search

<http://auto.somanuals.com>

TV manuals search

<http://tv.somanuals.com>