

KENWOOD

Steam Mop

Instruction manual

Model SC300
Model SC400

IMPORTANT INFORMATION

PLEASE READ THESE INSTRUCTIONS CAREFULLY

- Before using the appliance read the instructions carefully.
- The appliance is equipped with a thermostat that limits temperature, a thermofuse and a safety cap. It has been made in compliance with Australian Standards.
- Always connect the appliance to an earthed socket.
- Never leave the appliance unattended when still connected to the power supply source.
- Never turn the appliance over when using steam.
- Always take the plug out of the power supply socket when filling. ATTENTION! The first time the tank is filled with water some leaking may occur. Do not worry, as this is quite normal and will disappear the next time the tank is filled.
- The appliance is not intended for use by young children or infirm persons without supervision.
- Young children should be supervised to ensure that they do not play with the appliance.
- Never put descaling, aromatic, alcoholic or detergent products into the appliance, as this may damage it or make it unsafe for use.
- Do not touch its hot surfaces. Avoid directing steam towards people.
- **NB:** before unscrewing the Safety Filling Cap proceed as follows :
 - Turn off the appliance
 - Unplug the power supply
 - Slowly unscrew the Safety Filling Cap and wait 5 seconds before completely unscrewing it.
- Do not use the appliance if it appears damaged. All repairs, including substitution of the power cable must be carried out exclusively by the KENWOOD Service centre or KENWOOD authorised Service Agents, since a special tool is required in order to do this, and to avoid any hazard.
- This product has been made for domestic use and not for industrial use.
- The appliance meets the requirements of EEC Directive 89/336 concerning electromagnetic compatibility.

MAKE SURE THIS INFORMATION IS EASILY AVAILABLE

Thank you for having chosen our product and allow us to congratulate you for having purchased the **KENWOOD STEAM MOP** which has been designed in order to change old methods of manual floor cleaning. This appliance has been designed to obtain not only perfect floor cleaning but also effective sterilisation of these surfaces.

KENWOOD STEAM MOP achieves a high degree of hygienic and degreasing power on floors since it turns water into 100 degrees of steam in just a few minutes, so, when contact is made with surfaces, the most stubborn dirt is removed and, most important, the majority of micro-organisms residing in floor surfaces are eliminated, especially from cracks and joints between tiles.

Analysis carried out has shown how, in just a few seconds, a jet of concentrated steam from **KENWOOD STEAM MOP** is able to eliminate up to 90% of mites in dust, largely responsible for respiratory allergies. This amounts to preventative action, which benefits those persons subject to allergies of this kind. All of this is due to the active power of steam and without need of detergents or soap, so absolutely **ECOLOGICAL**.

It's special feature as a single use appliance (in other words, designed especially to clean floor surfaces) has made it possible to obtain a very high level of specialisation aimed at achieving equally high results with the appliance.

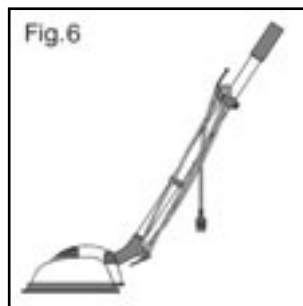
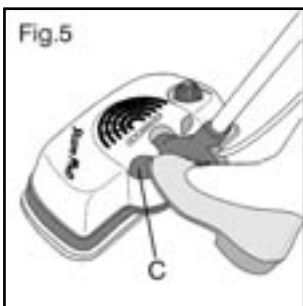
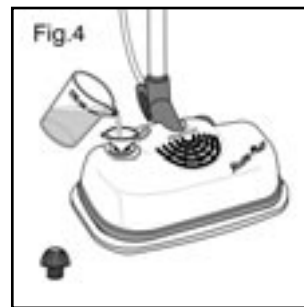
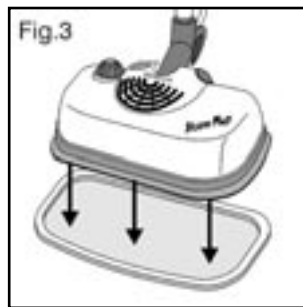
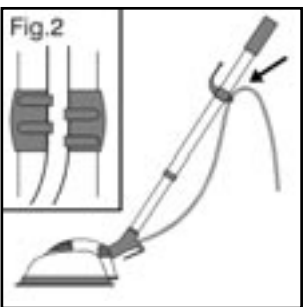
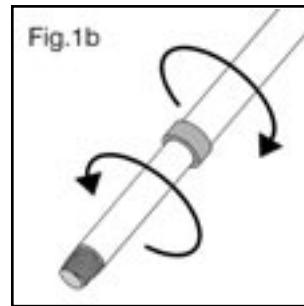
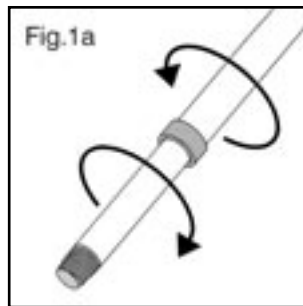
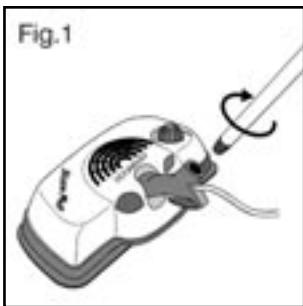
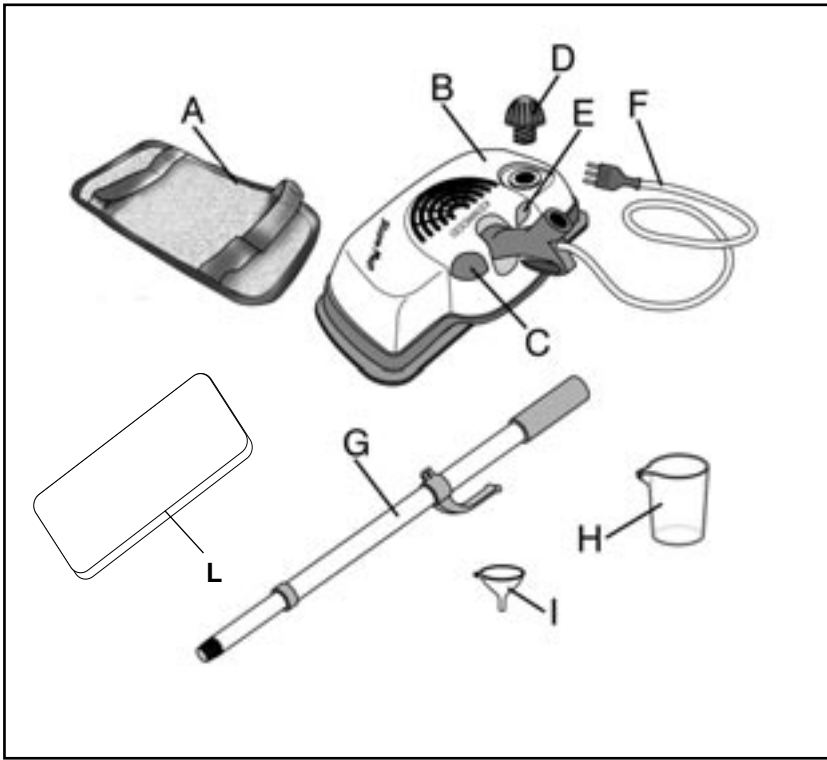
ADVANTAGES OF STEAM MOP:

- **KENWOOD STEAM MOP** does not form calcium deposits and does not require distilled water.
- Its cleaning action is more effective thanks also to a special spherical articulated joint and to a long power cable that allows the appliance to be guided along the floor, skirting obstacles such as tables and chairs and reaching under beds and other pieces of furniture.
- **KENWOOD STEAM MOP** has practically unlimited usage since it can be refilled with water without long periods of waiting.
- **KENWOOD STEAM MOP** is small, light and strong at the same time and can be used by anybody to clean floors every day with minimum effort.
- Your **KENWOOD STEAM MOP** is ideal for ceramic, marble, vinyl, stone, linoleum and sealed hardwood floors. It produces heat and steam similar to a steam iron and can reach temperatures in excess of 95°C. Therefore **DO NOT** leave in one spot during use or while hot for more than 15 seconds.
- On surfaces that have been treated with wax, the wax may be removed by the heat and steam action. Do not use on unsealed wood floors or let unit stand on any wood floor for an extended period of time. This could cause the woodgrain to rise. It is therefore recommended that a sample cleansing be carried out on an isolated area of the floor. Also check use and care instructions from the floor manufacturer.
- **Not recommended for use on CORK or CORK tiles.**

Model SC300

DESCRIPTION OF THE APPLIANCE

- A Floorcloth
- B Main part of the appliance
- C On/Off switch
- D Safety Filling Cap
- E On/Off pilot light
- F Power cable
- G Telescopic tube
- H 165ml measuring cup
- I Funnel
- L Preheating/cool down stand



INSTRUCTIONS FOR USE MODEL SC300

Using KENWOOD STEAM MOP is really very simple:

1. After having taken the appliance out of its box, screw the telescopic tube onto the main part of the appliance (Fig.1). Then turn the two ends and pull them out to the desired length. Lock the upper part by turning clockwise (Figs 1a-1b).
2. Secure the cable onto the hook at the top of the tube (Fig.2).
3. Rest the base of KENWOOD STEAM MOP on the floorcloth, secure the floor cloth to the KENWOOD STEAM MOP using the Velcro straps, making sure the cloth is secured on the base (Fig.3).
4. Unscrew the Safety cap (D) and pour 2 measuring cups (H) (330 ml) into the tank using the provided funnel, then screw the Safety cap back on (Fig 4).
5. Place the Steam mop on the provided preheat tray. Plug the power cord into the power supply. Press switch (C) and wait for about 3 minutes (Fig.5). Do not leave the device unattended during the waiting period.
6. As soon as steam appears from your KENWOOD STEAM MOP you can start to use it. Slowly run the KENWOOD STEAM MOP over the surfaces to be cleaned. DO NOT LEAVE in one spot for more than 15 seconds as it may cause a whitish halo to form on the surface. This is no call for concern as it may be removed using a normal decalcifying product or with a few drops of vinegar directly onto the floor.
7. When KENWOOD STEAM MOP SC300 no longer emits steam it means that there is no more water (this will take place approximately every 15 minutes when in use). Turn off the appliance, take out the plug, and supply more water as described in Point 4 above.
8. Turn your KENWOOD STEAM MOP on again and steam will start to be produced as before.
9. When finished wash the cloth with water and soap or in washing machine. Every time you replace the cloth, turn off the switch (C) and do not touch the appliances hot parts.
10. After using and before putting the appliance away, wind the power cord around the provided hooks (see Fig. 6) and empty any water left in the tank of the Steam Mop. Before using the appliance again, unwind the power cord completely. Be sure the power cord is completely unwound before you plug it in.

CLEANING AND MAINTENANCE

The following operation must be carried out only if the appliance is unplugged from its power source.

In order to guarantee perfect functioning over a long period of time the tank needs to be rinsed out at least once a week with cold water to eliminate any accumulated calcium deposits.

DO NOT USE VINEGAR OR OTHER DECALCIFYING SUBSTANCES.

KENWOOD STEAM MOP does not need to be used with its own specially developed floor cloths but can be used with the floor cloths that you normally use in your home.

Spare floor cloths are available by mail order from Hagemeyer.

Attention.

Before washing the Magic Cloth, Kenwood recommends the Magic Cloth straps be neatly joined together to avoid lint clogging the magic tape hooks.

PROBLEM	CAUSE	SOLUTION
Appliance won't start	* Electric plug * Power switch not turned on * No water in tank	*Push plug securely into outlet *Try another outlet *Check circuit breaker *Make sure power switch is on *Check the tank for water
Appliance won't make steam	*No water in tank	*Check the tank for water
Appliance leaves water on the floor	*Floorcloth is too wet *Appliance did not remain flat on surface while turned on	*Change floorcloth *If wood floor, dry the floor before proceeding. *Too much water in tank, Do not overfill *Turn off, unplug from electrical outlet, change floorcloth and reheat appliance.
Appliance leaves a whitish halo on floor	*Left in one spot too long	*Remove with few drops of vinegar. *If above step doesn't remove halo, then reheat area for one minute and discoloration will be removed. Do not overheat area.

Model SC400

DESCRIPTION OF THE APPLIANCE

- A Floorcloth
- B Main part of the appliance
- C On/Off switch
- D Safety Filling Cap
- E On/Off pilot light
- F Water exhaustion light
- G Power cable
- H Telescopic tube
- I 165ml measuring cup
- L Funnel
- M Preheating/cool down stand

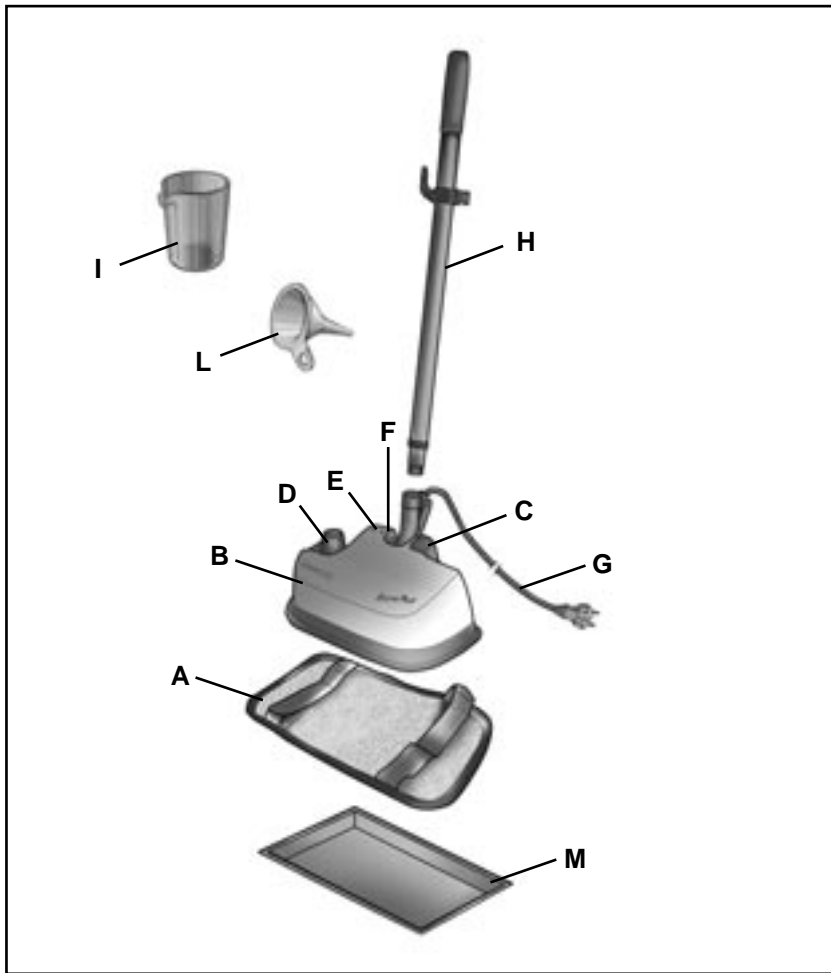


Fig. 1

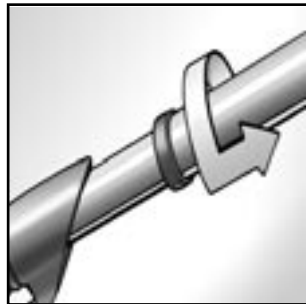


Fig. 2



Fig. 3



Fig. 4



Fig. 5



Fig. 6



Fig. 7

INSTRUCTIONS FOR USE MODEL SC400

Using KENWOOD STEAM MOP is really very simple:

1. Once the appliance has been unpacked, fit the extension tube in the appliance's body and then extend it to the desired length (fig. 1).
2. Fix the top part of the tube by turning it in a clockwise direction (fig. 2).
3. Fix the cord into the hook which is provided along the tube (fig. 3)
4. Rest the base of KENWOOD STEAM MOP on the floorcloth, secure the floor cloth to the KENWOOD STEAM MOP using the Velcro straps, making sure the cloth is secured on the base (fig. 4).
5. Unscrew the cap (D) and pour 2 measuring jugs (I) of water into the tank using the provided funnel (L) (fig. 5). Then screw the safety cap on tightly. Now insert the plug into the power outlet.
6. Place the Steam Mop on the provided preheat tray. Press the switch (C), the pilot light (E) will go on (fig. 6). Do not leave the appliance unattended while you are waiting for the Steam Mop to heat up.
7. When steam starts coming out, slowly run the appliance over the surfaces to be cleaned. This way your floors will become perfectly clean. DO NOT LEAVE in one spot for more than 15 seconds as it may cause a whitish halo to form on the surface. This is no call for concern as it may be removed using a normal decalcifying product or with a few drops of vinegar directly onto the floor.
8. When Steam Mop stops producing steam and the water exhaustion light (F) goes on it means that the water has run out (approximately every 15 minutes use). In this case, press the switch (C), unplug the appliance and refill with water as described at point 5. During this operation, mind not to touch the appliances hot parts.
9. Press the switch (C) again. Steam Mop will restart producing steam.
10. When finished wash the cloth with water and soap or in washing machine. Every time you replace the cloth, turn off the switch (C) and do not touch the appliances hot parts.
11. After using and before putting the appliance away, wind the power cord around the provided hooks (see fig. 7) and empty any water left in the tank of the Steam Mop. Before using the appliance again, unwind the power cord completely. Be sure the power cord is completely unwound before you plug it in.

CLEANING AND MAINTENANCE

The following operation must be carried out only if the appliance is unplugged from its power source.

In order to guarantee perfect functioning over a long period of time the tank needs to be rinsed out at least once a week with cold water to eliminate any accumulated calcium deposits.

DO NOT USE VINEGAR OR OTHER DECALCIFYING SUBSTANCES.

KENWOOD STEAM MOP does not need to be used with its own specially developed floor cloths but can be used with the floor cloths that you normally use in your home.

Spare floor cloths are available by mail order from Hagemeyer.

Attention.

Before washing the Magic Cloth, Kenwood recommends the Magic Cloth straps be neatly joined together to avoid lint clogging the magic tape hooks.

PROBLEM	CAUSE	SOLUTION
Appliance won't start	* Electric plug * Power switch not turned on * No water in tank	*Push plug securely into outlet *Try another outlet *Check circuit breaker *Make sure power switch is on *Check the tank for water
Appliance won't make steam	*No water in tank	*Check the tank for water
Appliance leaves water on the floor	*Floorcloth is too wet *Appliance did not remain flat on surface while turned on	*Change floorcloth *If wood floor, dry the floor before proceeding. *Too much water in tank, Do not overfill *Turn off, unplug from electrical outlet, change floorcloth and reheat appliance.
Appliance leaves a whitish halo on floor	*Left in one spot too long	*Remove with few drops of vinegar. *If above step doesn't remove halo, then reheat area for one minute and discoloration will be removed. Do not overheat area.

KENWOODLIMITED
New Lane. Havant. Hants. P09 2NH

HAGEMEYER AUSTRALASIA B.V.
104 Vanessa street
Kingsgrove
NSW 2208
Ph: (02) 93.70.88.77

Free Manuals Download Website

<http://myh66.com>

<http://usermanuals.us>

<http://www.somanuals.com>

<http://www.4manuals.cc>

<http://www.manual-lib.com>

<http://www.404manual.com>

<http://www.luxmanual.com>

<http://aubethermostatmanual.com>

Golf course search by state

<http://golfingnear.com>

Email search by domain

<http://emailbydomain.com>

Auto manuals search

<http://auto.somanuals.com>

TV manuals search

<http://tv.somanuals.com>