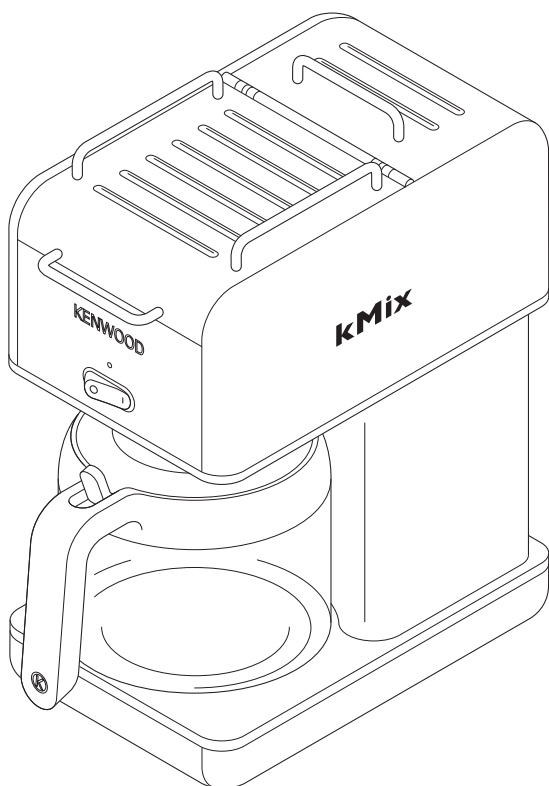
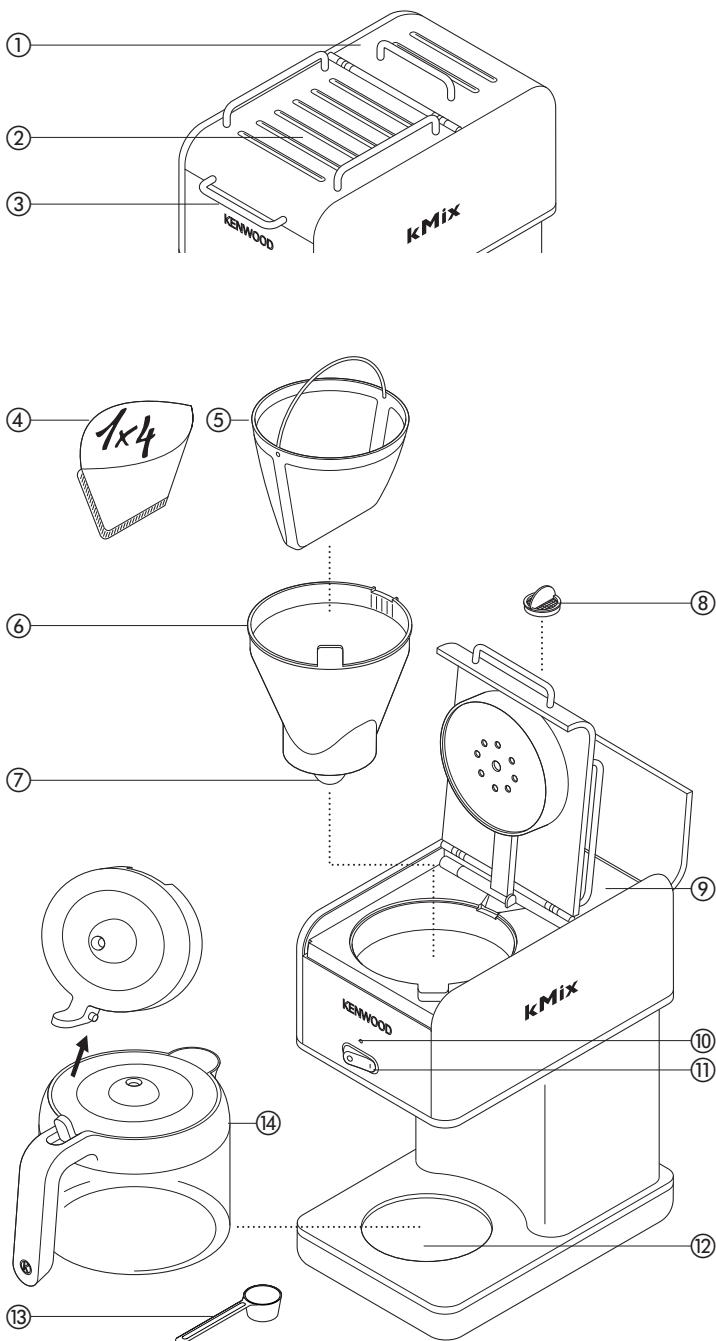


# KENWOOD



CM040 series



## Kenwood Coffee Experience

Here at Kenwood we share your appreciation for coffee and that's why we have ensured that this filter machine will enrich your experience for enjoying filtered coffee. Unfortunately not all coffee machines are able to brew coffee the ways it's meant to be. In fact it's a fine art to deliver the perfect cup; a combination of using the right ingredients and the right equipment.

Filter coffee should be brewed at 92-96°C, served at +80°C taking no longer than 6 minutes to brew a full carafe. We have carefully calibrated our machines to do precisely this so you can guarantee you have the right equipment to deliver a perfectly balanced brew.

Filter coffee is one of the many ways to enjoy coffee, below are some recommendations to perfect the ultimate filter coffee experience to serve you, family and friends.

*The Water* ~ Your coffee is around 98-99% water so it's important to ensure you use fresh filtered water. We recommend using a water filter as it will reduce limescale and prolong the use of your coffee maker.

*The Coffee* ~ This machine will optimise the flavour of medium ground coffee, to deliver full body, aroma and taste. Be sure before you buy that the coffee is suitable for a filter machine. Or if you grind your own beans set the grinder to medium coarseness. If the particles are too small, water will pass through the filter too slowly resulting in 'over-extraction'; your coffee will taste bitter. If particles are too large, water will pass through too quickly resulting in 'under-extraction'; your coffee will taste weak and watery.

*The Measurements* ~ To brew a perfectly balanced cup we recommend to use 7 grams or 1 tbsp of ground coffee per cup. Use the measuring spoon provided to do this accurately. Coffee will taste better when fresh so we recommend drinking within 30 minutes of brewing, any longer and taste begins to deteriorate.

*The Maintenance* ~ Use paper filters or a permanent filter either type is suitable to produce great coffee. We recommend that you rinse your permanent filter with water after every use as any residual detergent could taint your coffee. Dispose of the used grounds immediately after use to prevent drip through of unwanted flavours trapped in the used coffee grounds. Try to keep your coffee machine clean, especially the shower head as this will help to prolong your machine and maintain perfect brewing.

We hope you will enjoy coffee brewed from Kenwood.

## **before using your Kenwood appliance**

- Read these instructions carefully and retain for future reference.
- Remove all packaging and any labels.

## safety

- **Watch out for steam, never lift the filter holder lid ② during the brewing cycle.**
- Never touch the hotplate or surrounding area.
- **Always lift the filter holder lid using the handle at the front ③.**
- Do not touch hot parts including the cup warming tray/filter holder lid ②.
- Never let the cord hang down where a child could grab it.
- Never use a damaged appliance. Get it checked or repaired: see 'service and customer care'.
- Never put the appliance in water or let the cord or plug get wet - you could get an electric shock.
- Unplug:
  - before filling with water
  - before cleaning
  - after use.
- Never leave the appliance on unattended.
- Do not let the cord touch hot parts.
- Always make sure there is water in the tank before switching on.
- This coffee maker is only suitable for use with the type of carafe supplied.
- Do not leave the appliance switched on with an empty carafe on the hotplate.
- Never put the carafe in the microwave.

- This appliance is not intended for use by persons (including children) with reduced physical, sensory or mental capabilities, or lack of experience and knowledge, unless they have been given supervision or instruction concerning use of the appliance by a person responsible for their safety.
- Children should be supervised to ensure that they do not play with the appliance.
- Only use the appliance for its intended domestic use. Kenwood will not accept any liability if the appliance is subject to improper use, or failure to comply with these instructions.

### **before plugging in**

Make sure your electricity supply is the same as the one shown on the underside of your appliance.

### **Important (UK) only**

- The wires in the cord are coloured as follows:
    - Green and Yellow = Earth
    - Blue = Neutral
    - Brown = Live.
  - The appliance must be protected by a 13A approved (BS1362) fuse.
  - **WARNING: THIS APPLIANCE MUST BE EARTHED.**
- Note:**
- For non-rewireable plugs the fuse cover **MUST** be refitted when replacing the fuse. If the fuse cover is lost then the plug must not be used until a replacement can be obtained. The correct fuse cover is identified by colour and a replacement may be obtained from your Kenwood Authorised Repairer (see Service).
  - If a non-rewireable plug is cut off it must be **DESTROYED IMMEDIATELY**. An electric shock hazard may arise if an unwanted non-rewireable plug is inadvertently inserted into a 13A socket outlet.

- This appliance conforms to EC directive 2004/108/EC on Electromagnetic Compatibility and EC regulation no. 1935/2004 of 27/10/2004 on materials intended for contact with food.

### **before using for the first time**

- 1 Wash the parts: see 'care and cleaning'.
- 2 Run two full tanks of water (without coffee) through the coffee maker to clean it out. See 'to make coffee'.

## key

- ① water tank lid
- ② cup warming tray/filter holder lid
- ③ filter holder lid handle
- ④ paper filters
- ⑤ permanent filter
- ⑥ filter holder
- ⑦ anti-drip valve
- ⑧ mesh filter
- ⑨ water tank
- ⑩ descale warning button
- ⑪ on/off button with indicator
- ⑫ hotplate
- ⑬ measuring spoon
- ⑭ carafe

### **to make coffee**

- 1 Lift up the water tank lid ①.
- 2 Fill the tank with the desired amount of water. The water level must be between the 2 and 10 cup marks. Do not fill above the MAX level.
  - Use cold water. We recommend using filtered water as it reduces limescale and prolongs the life of your coffee maker. Never use warm or fizzy water.
- 3 Lift the filter holder lid using the handle ③ at the front of the coffee maker. Ensure the filter holder is positioned correctly.

- 4 Fit either the permanent filter supplied or a paper filter into the filter holder. Add the coffee using the spoon supplied. (Note: The strength of your brewed coffee will depend on the variety and strength of coffee used not the amount. For best brewing 1 level spoon (7g) of coffee is recommended per cup).
- 5 Close the lid and put the carafe on the hotplate. **NOTE: The lid must be fitted to the carafe and closed in order to operate the anti-drip valve.**
- 6 Plug in and switch on.
- 7 Don't remove the carafe until brewing has finished.
  - When the carafe is empty, switch off and unplug the appliance.
  - The hot plate will keep your coffee hot, but the sooner you drink it, the better it will taste.
  - Your coffee maker will keep the coffee warm and then automatically switch off after 2 hours.
  - If you have not used the appliance for a while, run one full tank of water (without coffee) through to clean it out.

## care & cleaning

- Always switch off, unplug and allow to cool before cleaning.
- Don't wash parts in the dishwasher.

### **carafe and lid, filter holder and permanent filter holder**

- Wash, then dry.


### **body**

- Wipe with a damp cloth, then dry. Don't use abrasives - they'll scratch the plastic and metal surfaces.

### **mesh filter**

- The mesh filter ⑧ in the tank can be lifted out for cleaning if required. Always ensure it is replaced before filling the tank with water.

## descaling

After approximately 90 brewing cycles the descale warning button  will light up and flash to indicate that the coffee maker requires descaling (see 'to descale').

### to descale


- 1 Buy a suitable descaler.
- 2 Descale the machine.
- 3 After descaling, run at least two full tanks of water (without coffee) through the coffee maker to clean it out.
- 4 Unplug and allow to cool. Then wash the parts.
- 5 Plug in and switch on.
- 6 Reset the descale warning button by pressing for 2-3 seconds until the light goes out.

## service and customer care

- If the cord is damaged it must, for safety reasons, be replaced by Kenwood or an authorised Kenwood repairer.

### UK

If you need help with:

- using your appliance or
  - servicing, spare parts or repairs (in or out of guarantee)
-  call Kenwood customer care on **023 92392333**. **Have your model number ready** - it's on the underside of the coffee maker.

For spare parts call **0870 241 3653**.

### other countries

- Contact the shop where you bought your appliance.
- Designed and engineered by Kenwood in the UK.
  - Made in China.

## guarantee

If your coffee maker goes wrong within one year from the date you bought it, we will repair it (or replace it if necessary) free of charge provided:

- you have not misused, neglected or damaged it;
- it has not been modified (unless by Kenwood);
- it is not second-hand;
- it has not been used commercially;
- you have not fitted a plug incorrectly; and
- **you supply your receipt to show when you bought it.**

This guarantee does not affect your statutory rights.



## IMPORTANT INFORMATION FOR CORRECT DISPOSAL OF THE PRODUCT IN ACCORDANCE WITH EC DIRECTIVE 2002/96/EC.

At the end of its working life, the product must not be disposed of as urban waste.

It must be taken to a special local authority differentiated waste collection centre or to a dealer providing this service.

Disposing of a household appliance separately avoids possible negative consequences for the environment and health deriving from inappropriate disposal and enables the constituent materials to be recovered to obtain significant savings in energy and resources. As a reminder of the need to dispose of household appliances separately, the product is marked with a crossed-out wheeled dustbin.



Head Office Address:

Kenwood Limited, New Lane, Havant, Hampshire PO9 2NH, UK

[www.kenwoodworld.com](http://www.kenwoodworld.com)

Designed and engineered by Kenwood in the UK

Made in China

19622/1

## Free Manuals Download Website

<http://myh66.com>

<http://usermanuals.us>

<http://www.somanuals.com>

<http://www.4manuals.cc>

<http://www.manual-lib.com>

<http://www.404manual.com>

<http://www.luxmanual.com>

<http://aubethermostatmanual.com>

Golf course search by state

<http://golfingnear.com>

Email search by domain

<http://emailbydomain.com>

Auto manuals search

<http://auto.somanuals.com>

TV manuals search

<http://tv.somanuals.com>