

KENWOOD

LZ-7500

TOUCH- SCREEN MONITOR

INSTRUCTION MANUAL

MONITEUR GRAND ECRAN

MODE D'EMPLOI

BREITBILD MONITOR

BEDIENUNGSANLEITUNG

KENWOOD CORPORATION

© PRINTED IN JAPAN B64-2325-00/01 (W)(DT)

Contents

Before Use	2	
• Contents		
• Safety Precaution		
Operation	3	
Basic Operation	3	
• Power		
• Switching the Monitor's Picture <VS>		
• Volume <VOL>		
• Switching the Video Screen Mode <WD>		
• Switching the Speaker Mode <SP>		
Screen Control Screen	4	
• Adjusting the Picture Quality		
Setup Menu Screen	4	
• Select the Setup Menu Screen		
• Select the System Setup Screen		
• Select the Touch Panel Adjustment Screen		
• Exit the Setup Menu Screen		
System Setup Screen-1	5	
• Setting the Navigation Mode <NAV>		
• Setting the AV IN-1 Mode <VD1>		
• Setting the AV IN-2 Mode <VD2>		
• Setting the Camera Mode <CAMERA/VIDEO>		
• Switching to the System Setup Screen -2		
• Exit the System Setup Screen		
System Setup Screen-2	6	
• Setting the AV Output Mode <AV OUT>		
• Touch Sensor Tone <BEEP>		
• Return to the System Setup Screen -1		
• Exit the System Setup Screen		
Touch Panel Adjustment Screen	6	
• Touch Panel Adjustment		
On Screen Control Mode	7	
• Switching the Monitor's Picture [VS]		
• Switching the Video Screen Mode [WD]		
• Switching the Speaker Mode [SP]		
• Setting the AV Output Mode [AV]		
• Exit the On Screen Mode		
Installation	8	
Troubleshooting Guide	12	
Specifications	12	

Safety Precaution

▲WARNING

To prevent injury and/or fire, take the following precautions:

- Ensure that the unit is securely installed. Otherwise it may fly out of place during collisions and other jolts.
- When extending the ignition or ground cables, make sure to use automotive-grade cables or other cables with an area of 0.75mm² (AWG18) or more to prevent wire deterioration and damage to the wire coating.
- To prevent short circuits, never put or leave any metallic objects (e.g., coins or metal tools) inside the unit.
- If the unit starts to emit smoke or strange smells, turn off the power immediately and consult your Kenwood dealer
- Do not touch the liquid crystal fluid if the LCD is damaged or broken due to shock. The liquid crystal fluid may be dangerous to your health or even fatal.
If the liquid crystal fluid from the LCD contacts your body or clothing, wash it off with soap immediately.

▲CAUTION

To prevent damage to the machine, take the following precautions:

- Make sure to ground the unit to a negative 12V DC power supply.
- Do not open the covers of the unit.
- Do not install the unit in a spot exposed to direct sunlight or excessive heat or humidity. Also avoid places with too much dust or the possibility of water splashing.
- Do not subject the monitor unit to excessive shock, as it is a piece of precision equipment.
- When replacing a fuse, only use a new one with the prescribed rating. Using a fuse with the wrong rating may cause your unit to malfunction.
- To prevent short circuits when replacing a fuse, first disconnect the wiring harness.
- Do not use any screws except for the ones provided. The use of improper screws might result in damage to the main unit.
- You cannot view video pictures whilst the vehicle is moving. To enjoy video pictures, find a safe place to park and engage the parking brake.

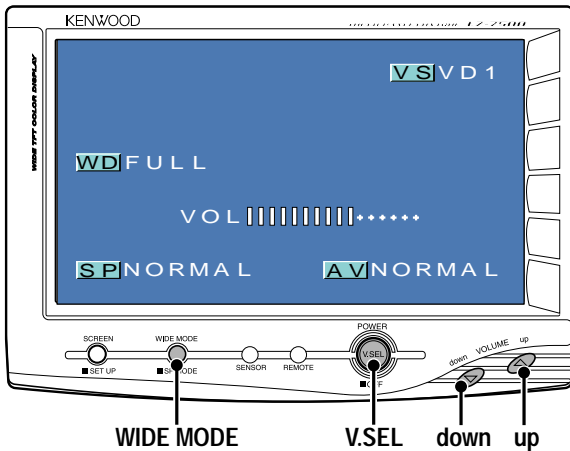
NOTE

If you experience problems during installation, consult your Kenwood dealer.

The illustrations of the display and the panel appearing in this manual are examples used to explain more clearly how the controls are used. Therefore, what appears on the display in the illustrations may differ from what appears on the display on the actual equipment, and some of the illustrations on the display may represent something impossible in actual operation.

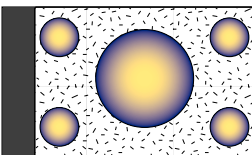
Operation

Basic Operation

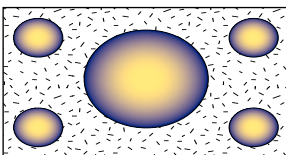


Screen Mode

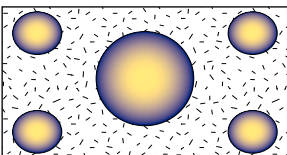
• NORMAL



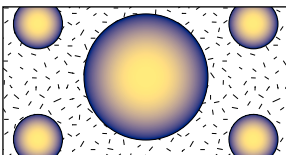
• FULL



• JUST



• ZOOM



Power

Turning on the power

Press the [V.SEL] button.

Turning off the power (Stand by mode)

Press the [V.SEL] button for at least 1 second.

Switching the Monitor's Picture <VS>

Press the [V.SEL] button.

Each time the button is pressed the monitor's picture switches as follows:

Display	Picture
"NAV"	Navigation (During "NAV" set to "RGB" or "AV IN1")
"VD1"	Video 1 (During "VD1" set to "AV-IN1")
"VD2"	Video 2 (During "VD2" set to "AV-IN2")
"CAM"	Video 3 (During "CAMERA/VIDEO" set to "VD")

For "NAV", "VD" and "CAMERA/VIDEO" setting, refer to <System Setup Screen> (Page 5).

! You cannot view video pictures whilst the vehicle is moving. To enjoy video pictures, find a safe place to park and engage the parking brake.

Volume <VOL>

Increasing Volume:

Press the [up] button.

Decreasing Volume:

Press the [down] button.

Switching the Video Screen Mode <WD>

Press the [WIDE MODE] button.

Each time the button is pressed the screen mode switches as follows:

Display	Setting
"FULL"	Full screen mode
"ZOOM"	Zoom screen mode
"JUST"	Just screen mode
"NORMAL"	Normal screen mode

! You cannot operate when the navigation picture is displayed.

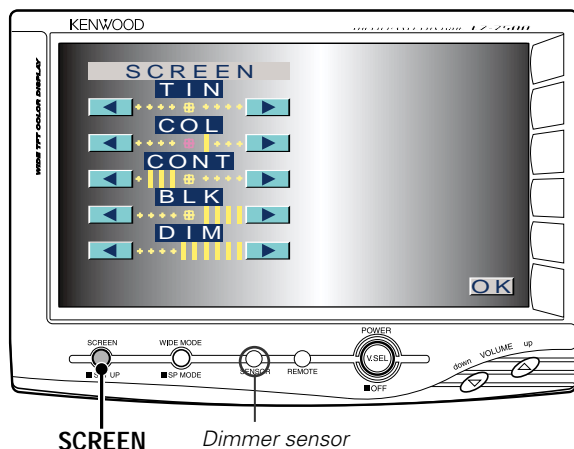
Switching the Speaker Mode <SP>

Press the [WIDE MODE] button for at least 1 second.

Each time the button is pressed for at least 1 second the built-in speaker mode switches as follows:

Display	Setting
"NORMAL"	Sound with monitor picture
"NAV"	Sound with navigation picture
"VIDEO1"	Sound with video 1 picture
"VIDEO2"	Sound with video 2 picture
"OFF"	Built-in speaker is turned off

Screen Control Screen



Adjusting the Picture Quality

1 Displaying the Screen Control Screen

Press the [SCREEN] button.

2 Setting

Touch the [◀] or [▶] button.

Item	Touch	Setting
TIN	[▶]	Stronger green level
	[◀]	Stronger red level
COL	[▶]	Deeper colour
	[◀]	Paler colour
CONT	[▶]	Stronger contrast
	[◀]	Less contrast
BLK	[▶]	Less black level
	[◀]	Stronger black level
DIM	[▶]	Brighter screen
	[◀]	Darker screen

- The [TIN] and [COL] cannot be adjusted for the RGB-navigation picture or the setup screen.
- The [TIN] cannot be adjusted for the picture of PAL.
- Separate picture quality settings can be stored for the video and navigation screens.

As regards [DIM] (Dimmer) adjustment:

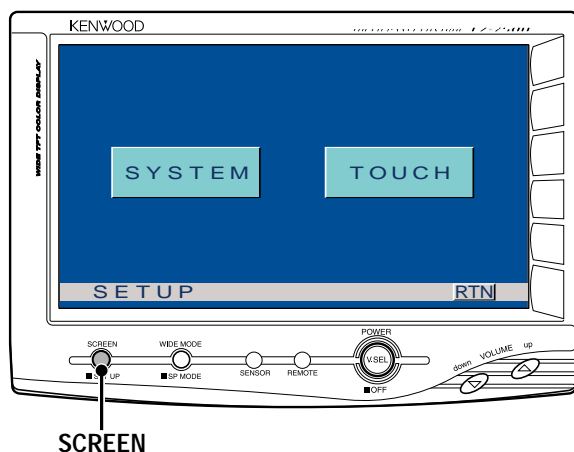
There is no connection with the vehicle's illumination switch. (A dimmer sensor is installed facing the front of monitor unit for light detection).

3 Exit the Screen Control Screen

Touch the [OK] button.

If you make no operation for 10 seconds, the screen control screen is automatically canceled.

Setup Menu Screen



Select the Setup Menu Screen

Press the [SCREEN] button for at least 1 second. Setup Menu Screen is displayed.

Select the System Setup Screen

Touch the [SYSTEM] button. System Setup Screen is displayed. (Page 5)

Select the Touch Panel Adjustment Screen

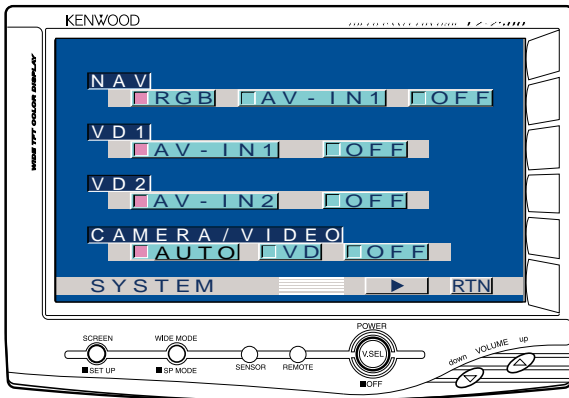
Touch the [TOUCH] button. Touch Panel Adjust Screen is displayed. (Page 6)

Exit the Setup Menu Screen

Touch the [RTN] button.

If you cannot selected a setup menu item. Press the [SCREEN] button for at least 2 second, the touch panel position settings are reset to the factory defaults.

System Setup Screen-1




Setting the Navigation Mode <NAV>

Touch	Setting
■RGB]	It becomes the RGB-image mode setting. Operate the V.SEL button when the RGB-image from the navigation unit connected to <NAV I/F> terminal is shown on the monitor.
■AV-IN1]	It becomes the composite-image mode setting. Operate the V.SEL button when the composite-image from the navigation unit connected to <AV IN-1> terminal is shown on the monitor.
■OFF]	It becomes the off mode setting. Use this setting when there's nothing connected to the <NAV I/F> or <AV IN-1> terminal.

Setting the AV IN-1 Mode <VD1>

Touch	Setting
■AV-IN1]	It becomes the video mode setting. Operate the V.SEL button when the image from the device connected to <AV IN-1> terminal is shown on the monitor.
■OFF]	It becomes the OFF mode setting. Use this setting when there's nothing connected to the <AV IN-1> terminal.

 If you select "AV-IN 1", "NAV" setting is changed to "RGB".

Setting the AV IN-2 Mode <VD2>

Touch	Setting
■AV-IN2]	It becomes the video mode setting. Operate the V.SEL button when the image from the device connected to <AV IN-2> terminal is shown on the monitor.
■OFF]	It becomes the off mode setting. Use this setting when there's nothing connected to the <AV IN-2> terminal.

Setting the Camera Mode <CAMERA/VIDEO>

Touch	Setting
■AUTO]	It becomes the Rear view camera mode setting. When the reverse sensor cable is powered up, the monitor image is switched to the image of the device connected to the <CAMERA VIDEO IN> terminal.
■VD]	It becomes the video mode setting. Operate the V.SEL button when the image from the device connected to <CAMERA VIDEO IN> terminal is shown on the monitor.
■OFF]	It becomes the off mode setting. Use this setting when there's nothing connected to the <CAMERA VIDEO IN> terminal.

Switching to the System Setup Screen -2

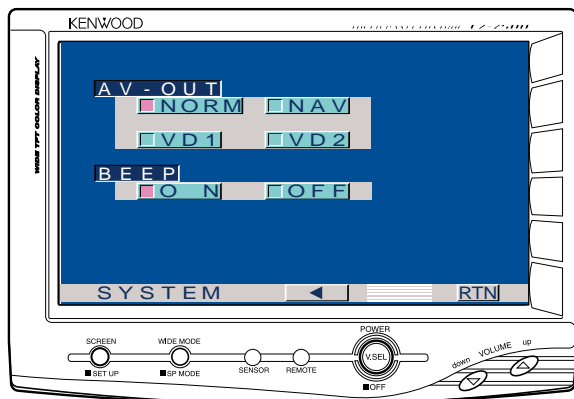
Touch the [>] button.

Exit the System Setup Screen

Touch the [RTN] button.
Return to the setup menu screen.

Operation

System Setup Screen-2



Setting the AV Output Mode <AV OUT>

Touch	Setting
[NORMAL]	Picture/sound with monitor picture
[NAV]	Navigation Sound
[VD1]	Picture/sound from <AV IN-1> terminal
[VD2]	Picture/sound from <AV IN-2> terminal

Touch Sensor Tone <BEEP>

Setting the operation check sound (beep sound) ON/OFF.

Touch	Setting
[ON]	Touch sensor tone is turned on
[OFF]	Touch sensor tone is turned off

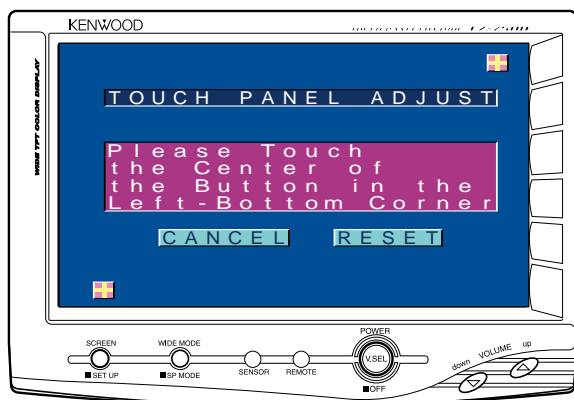
Return to the System Setup Screen -1

Touch the [◀] button.

Exit the System Setup Screen

Touch the [RTN] button.
Return to the setup menu screen.

Touch Panel Adjustment Screen



Touch Panel Adjustment

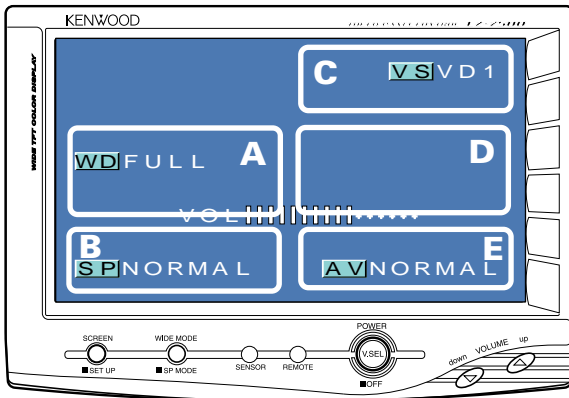
The touch panel can be adjusted if the position touched and the operation performed do not match.

- 1 Accurately touch the mark at the lower left.
- 2 Accurately touch the mark at the upper right.

When the mark at the upper right is touched, the adjustment is completed and the system setup menu screen reappears.

- If the [CANCEL] button is touched without touching the button at the lower left, the adjustment is cancelled and the screen that was set before switching to the system setup menu reappears.
- If the [CANCEL] button is touched after touching the button at the lower left, the button at the lower left reappears.
- If the [RESET] button is touched, the settings are reset to the factory defaults and the setup menu screen reappears.

On Screen Control Mode



When the current setting information is displayed on the screen, touching a dotted line will enable operation of each of the following items:

Switching the Monitor's Picture [VS]

Touch the C part.

Each time the C part is touched the monitor's picture switches as follows:

Display	Picture
"NAV"	Navigation (During "NAV" set to "RGB" or "AV IN1")
"VD1"	Video 1 (During "VD1" set to "AV-IN1")
"VD2"	Video 2 (During "VD2" set to "AV-IN2")
"CAM"	Video 3 (During "CAMERA/VIDEO" set to "VD")

For "NAV", "VD" and "CAMERA/VIDEO" setting, refer to <System Setup Screen> (Page 5).

! You cannot view video pictures whilst the vehicle is moving. To enjoy video pictures, find a safe place to park and engage the parking brake.

Switching the Video Screen Mode [WD]

Touch the A part.

Each time the A part is touched the screen mode switches as follows:

Display	Setting
"FULL"	Full screen mode
"ZOOM"	Zoom screen mode
"JUST"	Just screen mode
"NORMAL"	Normal screen mode

You cannot operate when the navigation picture is displayed.

Switching the Speaker Mode [SP]

Touch the B part.

Each time the B part is touched the built-in speaker mode switches as follows:

Display	Setting
"NORMAL"	Sound with monitor picture
"NAV"	Sound with navigation picture
"VIDEO1"	Sound with video1 picture
"VIDEO2"	Sound with video2 picture
"OFF"	Switch off the built-in speakers

Setting the AV Output Mode [AV]

Touch the E part.

Each time the E part is touched the AV output mode switches as follows:

Display	Setting
"NORMAL"	Picture/sound with monitor picture
"NAV"	Navigation Sound
"VIDEO1"	Picture/sound from <AV IN-1> terminal.
"VIDEO2"	Picture/sound from <AV IN-2> terminal.

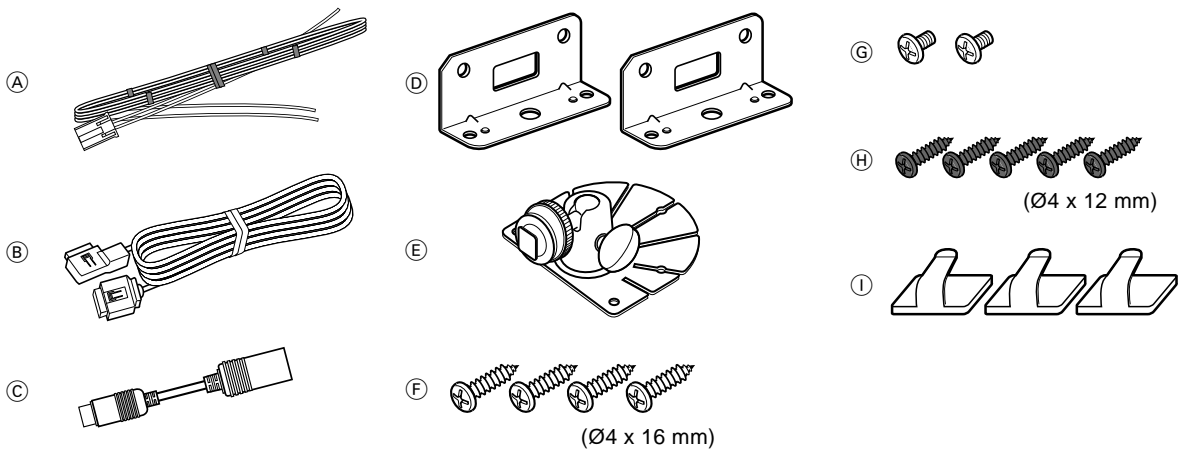
Exit the On Screen Mode

Touch the D part.

If you make no operation for 10 seconds, the On screen control mode is automatically canceled.

Installation

Accessories



! The use of any accessories except for those provided might result in damage to the unit. Make sure only to use the accessories shipped with the unit, as shown above.

Installation Procedure

- 1 To prevent short circuits, remove the key from the ignition and disconnect the \ominus terminal of the battery.
- 2 Make the proper input and output cable connections for each unit.
- 3 Connect the wiring harness cables in the following order: ground, ignition.
- 4 Connect the wiring harness connector to the unit.
- 5 Install the unit in your car.
- 6 Reconnect the \ominus terminal of the battery.

!WARNING

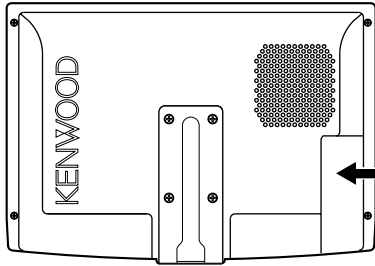
- This product is intended for use with 12V DC negative ground power only. Do not connect it to any other power supply.
- To prevent shorting, disconnect the battery cable from the negative terminal of the battery during installation.
- Be sure to firmly stabilise this product. Do not install it in a location which is not stable.
- Follow the installation and wiring procedures described in this manual. Improper wiring or modified installation can not only result in malfunction or damage to the unit but may also result in an accident.
- **Do not install the unit in the following locations.**
 - A location which interferes with the operation of the air bag system.
 - A location which is not made of plastic.
 - ➔ Installing on leather, wood or cloth may damage the surface.
 - A location subject to direct sunlight, subject to the air from the air conditioner, or subject to moisture or high temperature.
 - ➔ This may cause deformation of the monitor unit.
- **Be sure to use the supplied screws for installation.** Using screws longer than those supplied may destroy parts inside the unit causing it to smoke. Using screws shorter than those supplied may cause the unit to come loose from the installation bracket.
- If you are not going to install the unit using the supplied monitor stand, be sure to use a commercially available monitor stand. (Mounting holes for such a stand are located on the bottom of the monitor unit.)

!CAUTION

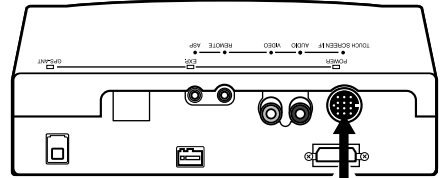
- If your car's ignition does not come with an ACC position, connect the ignition cables to a power source that can be turned on and off with the ignition key. If you connect the ignition wire to a power source that receives a constant voltage supply, as with battery cables, the battery may die.
- If the fuse blows, first make sure that the cables have not caused a short circuit, then replace the old fuse with one with the same rating.
- Do not let unconnected cables or terminals touch metal on the car or anything else conducting electricity. To prevent short circuits do not remove the caps from unused terminals or from the ends of the unconnected cables.
- After the unit is installed, check whether the brake lamps, blinkers, wipers, etc. on the car are working properly.
- Insulate unconnected cables with vinyl tape or other similar material.
- Thoroughly wipe away oil and other dirt from the installation surface. Please avoid installation on uneven surfaces.

Connection

Monitor Unit



Navigation Unit



Connection cable
(Provided with the KENWOOD
Navigation Unit)

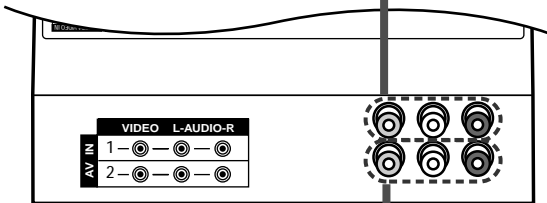
Accessory ⑧

Bundle cables with the
clammer (Accessory ①)

Audio/Visual input 1

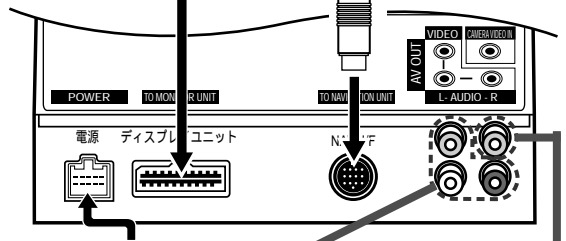
- Visual input (Yellow)
- Audio left input (White)
- Audio right input (Red)

Video Box Unit



Audio/Visual input 2

- Visual input (Yellow)
- Audio left input (White)
- Audio right input (Red)

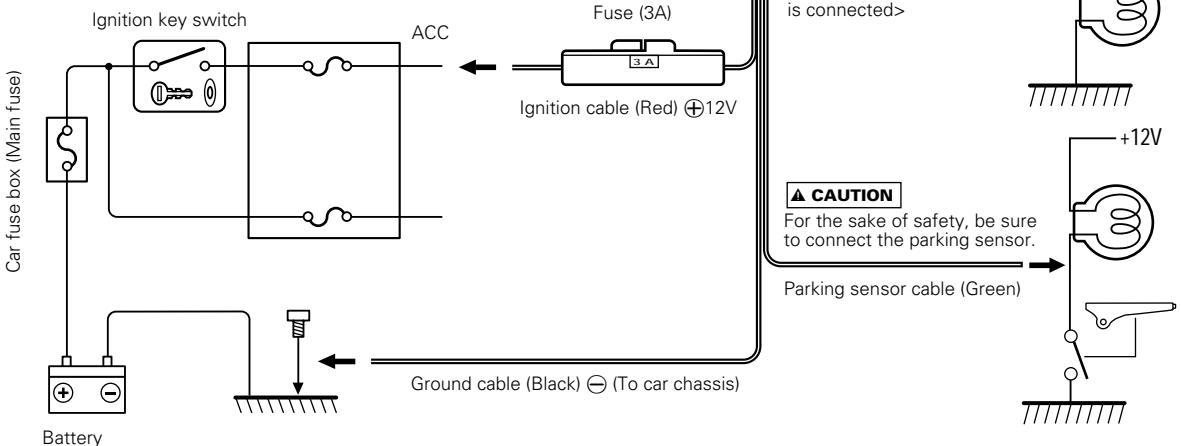


Accessory ③

Audio/Visual Output

- Visual output (Yellow)
- Audio left output (White)
- Audio right output (Red)

Rear view camera input



Installation

Installation for Monitor Unit

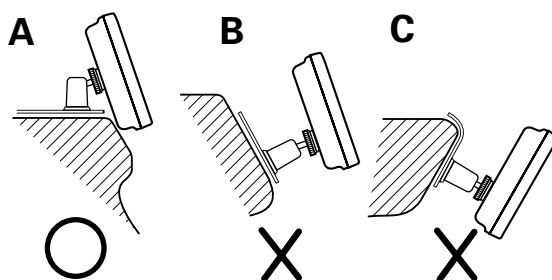
Installation location and cleaning

Select for installation a location where the stand can be placed completely horizontal or where the front edge of the support (petal-shaped part) can be attached horizontally as shown in Figure A.

Do not install in locations where the entire support is at a diagonal such as in Figure B or where the monitor unit is facing down such as in Figure C.

CAUTION

Thoroughly wipe away any dust or grease from the installation location using a cloth which has been soaked in a neutral cleaning agent and wrung out. Attach the stand after allowing the installation location to dry.

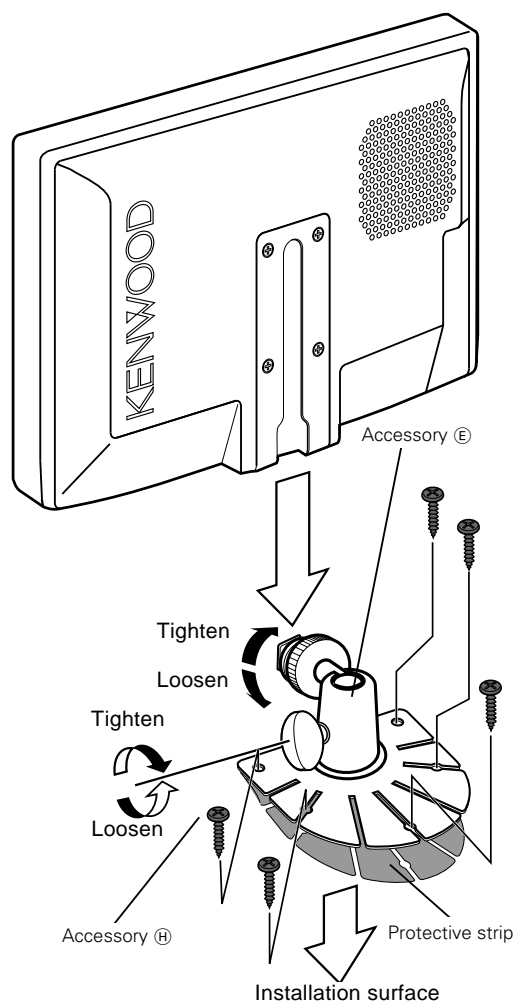


- 1 Bend the stand support to conform to the shape of the installation location.
- 2 Adjust the shape of the support so that there is no rattling or gap when the stand is placed on the support.
- 3 Peel off the protective strip from the double-sided tape on the bottom of the stand and securely attach the stand.

CAUTION

- Do not attach the double-sided tape more than once or touch the adhesive with your fingers as this will weaken its adhesive strength.
 - If the temperature of the surface of the installation location is low, warm it up using a heater or other means before attaching the stand. Low temperature may weaken the adhesive strength of the tape.
 - The supplied stand is specially intended for this product. Do not use it with another monitor.
- 4 Secure the stand using the supplied tapping screw (Accessory ④).
 - 5 After attaching the stand, allow it to sit undisturbed for 24 hours.
 - 6 Take care not to apply any force to the stand during this time.
 - 7 Fully loosen the installation screws, align the slit on the rear of the unit with the installation shoe and slide the monitor unit onto the stand.
 - 8 Adjust the height, horizontal angle and vertical angle of the monitor and securely tighten the installation screws.

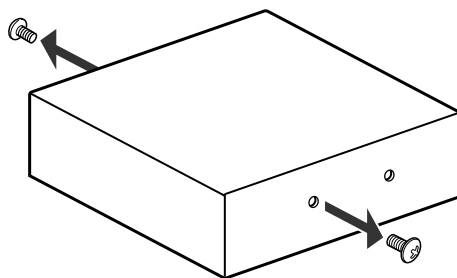
You can also adjust the monitor unit's forward position by loosening the angle adjustment knobs and adjusting the angle of the monitor unit's installation stand.



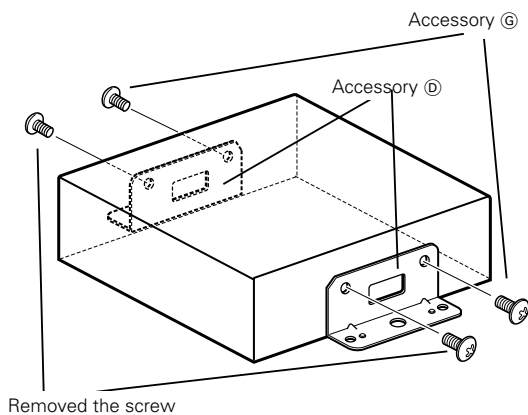
Installation for Video Box Unit

■ Securing to audio board

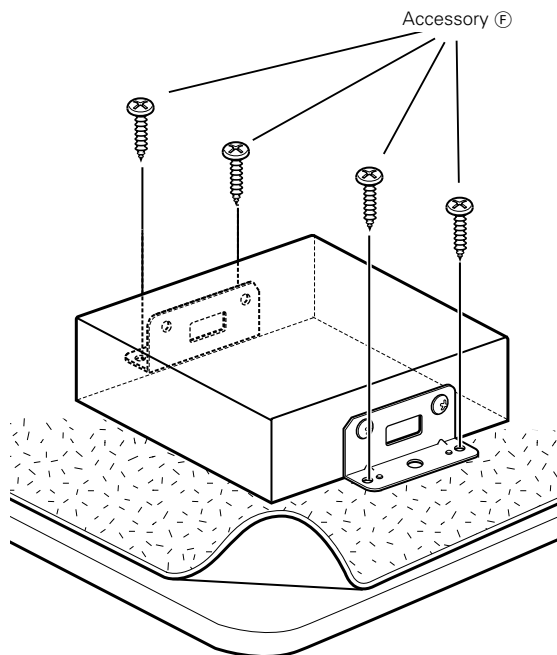
- 1 Remove the screws on both sides that are already attached to Video Box Unit.



- 2 Use the screws removed in step 1 and attached screws (Accessory ㉔) to fix the bracket (Accessory ㉓) onto both sides of Video Box Unit.



- 3 Use screws (Accessory ㉕) to fix Video Box Unit onto an audio board or another.



Troubleshooting Guide

What might appear to be a malfunction in your unit may just be the result of slight misoperation or miswiring. Before calling service, first check the following table for possible problems.

PROBLEM	POSSIBLE CAUSE	SOLUTION
The power does not turn on.	The fuse has blown.	After checking for short circuits in the cables, replace the fuse with one having the same rating.
	No ACC position on vehicle ignition.	Connect the same cable to the ignition as the battery cable.
No video picture appears.	The unit is not connected to the parking brake detection switch.	Make proper connections according to "Connection".
	The parking brake is not engaged.	For safety reasons no video picture are displayed while the vehicle is moving. Engaging the parking brake will cause picture to be displayed.
The screen is dark.	The unit is in a location where temperature is low.	If the temperature of the monitor unit drops, the screen may appear darker when power is first turned on due to the characteristics of a liquid crystal panel. Wait a while after turning power on for the temperature to rise. Normal brightness will return.

Specifications

Specifications subject to change without notice.

Monitor Unit

Screen size	6.95 inches wide 154.1(W) x 86.6(H) x 176.7(Diagonal) mm 6-1/16(W) x 3-7/16(H) inches
Display system	Transparent TN LCD panel
Drive system	TFT active matrix system
Number of pixels.....	336,960 pixels (480 H x 234 V x RGB)
Effective pixels	99.99%
Pixel arrangement	RGB striped arrangement
Back lighting	Cold cathode tube
Speaker power	1 W (40 Ø x 1)

Video Box Unit

Colour system	NTSC/PAL
External video input level (RCA jacks)	1 ± 0.1 Vp-p/ 75 Ω
External audio input level (RCA jacks)	1 V/ 22 KΩ
Video output level (RCA jacks).....	1 ± 0.1 Vp-p/ 75 Ω
Audio output level (RCA jacks)	500 mV/ 1 KΩ
Analog RGB input	0.7 Vp-p/ 75 Ω

General

Operating voltage	14.4 V DC (11 - 16 V)
Consumed Power	14 W
Operational temperature range	-10°C to +60°C
Storage temperature range	-30°C to +80°C
Size	
(Monitor unit)	189(W) x 131(H) x 37(D) mm 7-7/16(W) x 5-3/16(H) x 1-7/16(D) inches
(Video box unit)	167(W) x 38(H) x 152(D) mm 6-9/16(W) x 1-1/2(H) x 6(D) inches
Mass	
(Monitor unit)	580 g(1.28 LBS)
(Video box unit)	620 g(1.37 LBS)

Although the effective pixels for the liquid crystal panel is given as 99.99% or more, 0.01% of pixels may not light or may light incorrectly.

KENWOOD

Table des matières

Avant l'utilisation	14	
• Table des matières		
• Précautions de sécurité		
Opération	15	
Opération de base	15	
• Alimentation		
• Commutation de l'image du moniteur <VS>		
• Volume <VOL>		
• Sélection du mode d'écran Vidéo <WD>		
• Commuter le mode haut-parleur <SP>		
Ecran de commande par l'écran	16	
• Réglage de Qualité de l'image		
Ecran de menu de configuration	16	
• Sélection de l'écran du menu de configuration		
• Sélection de l'écran de paramétrage du système		
• Sélection de l'écran réglage de l'écran tactile		
• Sortez de l'écran du menu de configuration		
Ecran de paramétrage du système-1	17	
• Réglage du mode de navigation <NAV>		
• Réglage du mode AV IN-1 <VD1>		
• Réglage du mode AV IN-2 <VD2>		
• Réglage du mode Camera <CAMERA/VIDEO>		
• Passer à l'écran de paramétrage du système-2		
• Sortez de l'écran de paramétrage du système		
Ecran de paramétrage du système-2	18	
• Réglage du mode de sortie AV <AV OUT>		
• Tonalité capteur tactile <BEEP>		
• Retour à l'écran de paramétrage du système-1		
• Sortez de l'écran de paramétrage du système		
Ecran de réglage de l'écran tactile	18	
• Ajustement des touches		
Mode de contrôle à l'écran	19	
• Commutation de l'image du moniteur [VS]		
• Sélection du mode d'écran Vidéo [WD]		
• Commuter le mode haut-parleur [SP]		
• Réglage du mode de sortie AV [AV]		
• Sortez de mode de contrôle à l'écran		
Installation	20	
Guide de dépannage	24	
Spécifications	24	

Précautions de sécurité

▲AVERTISSEMENT

Pour éviter toute blessure et/ou incendie, veuillez prendre les précautions suivantes:

- Assurez-vous que l'appareil soit correctement installé. Sinon il risquerait d'être déplacé en cas de collisions ou de cahots.
- Si vous prolongez un câble d'alimentation, de batterie ou de masse, assurez-vous d'utiliser un câble pour automobile ou un câble avec une section de 0,75mm² (AWG18) afin d'éviter tout risque de détérioration ou d'endommagement de l'isolation des câbles.
- Pour éviter les court-circuits, ne jamais mettre ou laisser d'objets métalliques (comme une pièce de monnaie ou un outil) à l'intérieur de l'appareil.
- Si l'appareil émet de la fumée ou une odeur bizarre, mettez immédiatement l'appareil hors tension et consultez un revendeur Kenwood.
- Ne touchez pas le cristal liquide si l'affichage LCD était endommagé ou cassé à cause d'un choc. Le cristal liquide peut être dangereux pour votre santé et même mortel.
Si le cristal liquide de l'affichage LCD entrait en contact avec votre corps ou un vêtement, lavez-le immédiatement avec du savon.

▲ATTENTION

Pour éviter tout dommage à l'appareil, veuillez prendre les précautions suivantes:

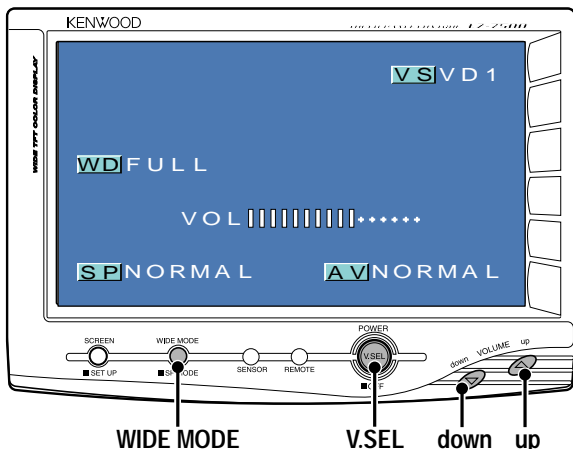
- Assurez-vous de mettre l'appareil à la masse sur une alimentation négative de 12V CC.
- N'ouvrez pas le couvercle de l'appareil.
- N'installez pas l'appareil dans un endroit exposé directement à la lumière du soleil, à une chaleur excessive ou à l'humidité. Evitez aussi les endroits trop poussiéreux et où l'appareil risque d'être éclaboussé.
- Ne faites pas subir de chocs excessifs à la façade car elle fait partie d'un équipement de précision.
- Lors du remplacement d'un fusible, utilisez seulement un fusible neuf avec la valeur indiquée. L'utilisation d'un fusible d'une valeur différente peut être la cause d'un mauvais fonctionnement de votre appareil.
- Pour éviter les courts-circuits lors du remplacement d'un fusible, déconnectez d'abord le faisceau de câbles.
- Pendant l'installation, n'utilisez aucunes autres vis que celles fournies. L'utilisation de vis incorrectes pourrait endommager l'appareil.
- Il est impossible de regarder des images vidéo pendant que le véhicule se déplace. Pour apprécier les images vidéo, garer le véhicule dans un endroit sûr et tirer le frein à main.

REMARQUE

Si vous rencontrez des problèmes pendant l'installation, consultez votre revendeur Kenwood.

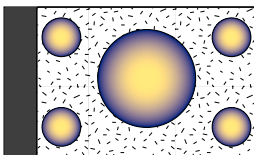
Les illustrations de l'affichage et du panneau apparaissant dans ce manuel sont des exemples utilisés pour expliquer avec plus de clarté comment les commandes sont utilisées. Il est donc possible que les illustrations d'affichage puissent être différentes de ce qui réellement affiché sur l'appareil et aussi que certaines illustrations représentent des choses impossibles à réaliser en cours de fonctionnement.

Opération de base

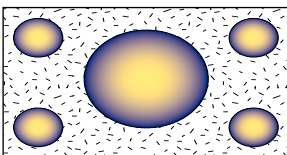


Mode d'écran

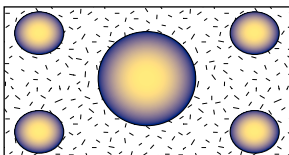
• NORMAL



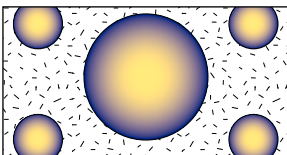
• FULL



• JUST



• ZOOM



Alimentation

Mise sous tension

Appuyer sur la touche [V.SEL].

Mise hors circuit (mode Stand by)

Appuyer sur la touche [V.SEL] pendant au moins 1 secondes.

Commutation de l'image du moniteur <VS>

Appuyez sur la touche [V.SEL].

Chaque fois que l'on appuie sur la touche, l'image du moniteur change de la manière suivante:

Affichage Image

"NAV"	Navigation (Pendant "NAV" installé sur "RGB" ou "AV IN1")
"VD1"	Video 1 (Pendant "VD1" installé sur "AV-IN1")
"VD2"	Video 2 (Pendant "VD2" installé sur "AV-IN2")
"CAM"	Video 3 (Pendant "CAMERA/VIDEO" installé sur "VD")

☰ Pour la configuration de "NAV", "VD" et "CAMERA/VIDEO", rappelez-vous au <Ecran de paramétrage du système>(Page 17).

⚠ Il est impossible de regarder des images vidéo pendant que le véhicule se déplace. Pour apprécier les images vidéo, garer le véhicule dans un endroit sûr et tirer le frein à main.

Volume <VOL>

Augmenter le volume:

Appuyez sur la touche [up].

Baisser le volume:

Appuyez sur la touche [down].

Sélection du mode d'écran Vidéo <WD>

Appuyez sur la touche [WIDE MODE].

Chaque fois que l'on appuie sur la touche, le mode de l'écran change de la manière suivante:

Affichage Réglage

"FULL"	Mode Grand écran
"ZOOM"	Mode de Zoom
"JUST"	Uniquement mode écran
"NORMAL"	Mode d'écran normal

☰ Cette commande ne fonctionne pas lorsque l'image de navigation est affichée.

Commuter le mode haut-parleur <SP>

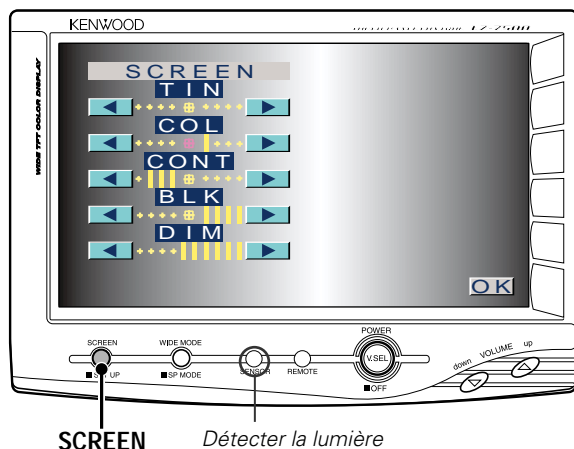
Appuyez sur la touche [WIDE MODE] pendant au moins 1 seconde.

Chaque fois que la touche est pressée pendant une seconde minimum, le micro intégré change de mode comme suit:

Affichage Réglage

"NORMAL"	Son avec image du moniteur
"NAV"	Son avec image de navigation
"VIDEO1"	Son avec image de la vidéo 1
"VIDEO2"	Son avec image de la vidéo 2
"OFF"	Haut-parleur intégré éteint

Ecran de commande par l'écran



Réglage de Qualité de l'image

1 Afficher l'écran de contrôle

Appuyer sur la touche [SCREEN].

2 Réglage

Effleurez la touche [◀] ou [▶].

Élément	Effleurer	Réglage
TIN	[▶]	Niveau de vert plus élevé
	[◀]	Niveau de rouge plus élevé
COL	[▶]	Couleur plus profonde
	[◀]	Couleur plus pale
CONT	[▶]	Niveau de contraste plus fort
	[◀]	Moins de contraste
BLK	[▶]	Noir moins élevé
	[◀]	Niveau de noir plus élevé
DIM	[▶]	Ecran plus clair
	[◀]	Ecran plus sombre

- Le [TIN] et le [COL] ne peuvent être adaptés à l'image de navigation RGB de l'écran d'installation.
- La teinte [TIN] ne peut pas être réglée pour une image du type PAL.
- Des réglages de qualité d'image séparés peuvent être réglés pour les écrans de commande de télévision, vidéo, et de navigation.

En ce qui concerne l'ajustement [DIM] (Interrupteur):

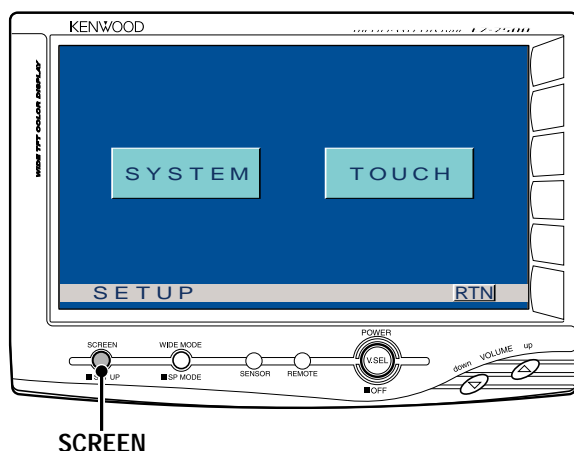
Il n'y a aucune connexion avec l'interrupteur d'illumination du véhicule. (Un capteur est installé face au moniteur pour détecter la lumière).

3 Sortez de l'écran de commande par l'écran

Effleurez la touche [OK].

Si vous n'effectuez aucune opération pendant 10 secondes, l'écran de contrôle est annulé automatiquement.

Ecran de menu de configuration



Sélection de l'écran du menu de configuration

Appuyez sur la touche [SCREEN] pendant au moins 1 seconde.

L'écran du menu de configuration est affiché.

Sélection de l'écran de paramétrage du système

Effleurez la touche [SYSTEM].

L'écran de de paramétrage du système est affiché. (Page 17)

Sélection de l'écran réglage de l'écran tactile

Effleurez la touche [TOUCH].

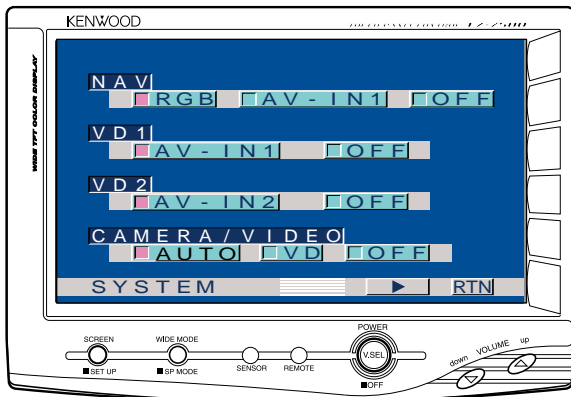
L'écran réglage de l'écran tactile est affiché. (Page 18)

Sortez de l'écran du menu de configuration

Effleurez la touche [RTN].

Si vous ne pouvez pas sélectionner un point du menu d'installation, pressez la touche [SCREEN] pendant 2 secondes minimum, les installations de position sont annulées au profit de la configuration par défaut.

Ecran de paramétrage du système-1



Réglage du mode de navigation <NAV>

Effleurer	Réglage
■RGB]	Apparaît l'installation du mode d'image RGB. Actionnez le bouton V.SEL lorsque l'image RGB issue de l'unité de navigation connectée au terminal <NAV I/F> est affichée sur le moniteur.
■AV-IN1]	Apparaît l'installation du mode image composite. Actionnez le bouton V.SEL lorsque l'image composite issue de l'unité de navigation connectée au terminal <AV IN-1> est affichée sur le moniteur.
■OFF]	Apparaît le mode d'installation hors connexion. Utilisez cette installation lorsque aucun élément n'est connecté au terminal <NAV I/F> ou <AV IN-1>.

Réglage du mode AV IN-1 <VD1>

Effleurer	Réglage
■AV-IN1]	Ceci devient le réglage de mode vidéo. utilisez la touche V.SEL lorsque l'image de l'appareil connecté à la borne <AV IN-1> est affichée sur le moniteur.
■OFF]	Ceci devient le réglage de mode OFF. Utiliser ce réglage lorsqu'il n'y a rien connecté à la borne <AV IN-1>.

Si vous sélectionnez "AV-IN 1", la configuration "NAV" est modifiée et remplacée par "RGB".

Réglage du mode AV IN-2 <VD2>

Effleurer	Réglage
■AV-IN2]	Ceci devient le réglage de mode vidéo. utilisez la touche V.SEL lorsque l'image de l'appareil connecté à la borne <AV IN-2> est affichée sur le moniteur.
■OFF]	Ceci devient le réglage de mode OFF. Utiliser ce réglage lorsqu'il n'y a rien connecté à la borne <AV IN-2>.

Réglage du mode Camera <CAMERA/VIDEO>

Effleurer	Réglage
■AUTO]	Apparaît le mode d'installation la rétro-camera. Lorsque le câble du capteur inversé est alimenté, l'image du moniteur est branchée sur l'image du dispositif connecté au terminal <CAMERA VIDEO IN>.
■VD]	Ceci devient le réglage de mode vidéo. utilisez la touche V.SEL lorsque l'image de l'appareil connecté à la borne <CAMERA VIDEO IN> est affichée sur le moniteur.
■OFF]	Ceci devient le réglage de mode OFF. Utiliser ce réglage lorsqu'il n'y a rien connecté à la borne <CAMERA VIDEO IN>.

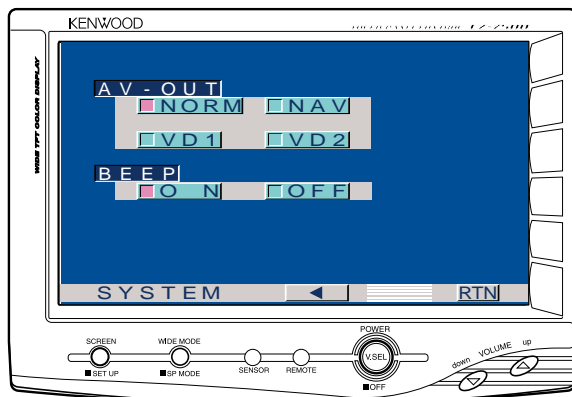
Passer à l'écran de paramétrage du système-2

Effleurez la touche [▶].

Sortez de l'écran de paramétrage du système

Effleurez la touche [RTN].
Retour à l'écran de menus de réglage.

Ecran de paramétrage du système-2



Réglage du mode de sortie AV <AV OUT>

Effleurer Réglage

[NORMAL]	Image/son avec image du moniteur
[NAV]	Son de navigation
[VD1]	Image/son du terminal <AV IN-1>
[VD2]	Image/son du terminal <AV IN-2>

Tonalité capteur tactile <BEEP>

Activer/Désactiver le signal sonore de contrôle d'opération (bip).

Effleurer Réglage

[ON]	La tonalité de détection de touche est activée.
[OFF]	La tonalité de détection de touche est désactivée.

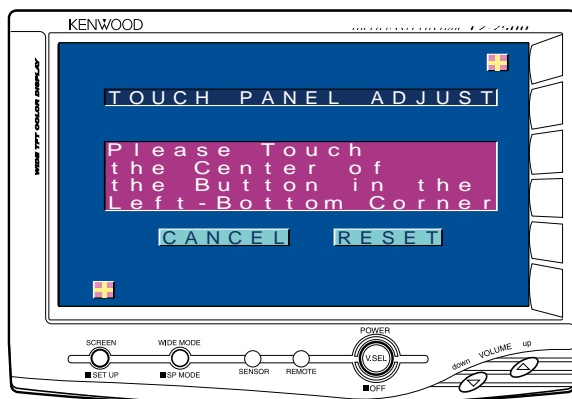
Retour à l'écran d'installation du système -1

Effleurez la touche [◀].

Sortez de l'écran d'installation du système

Effleurez la touche [RTN].
Retour à l'écran de menus de réglage.

Ecran de réglage de l'écran tactile



Ajustement des touches

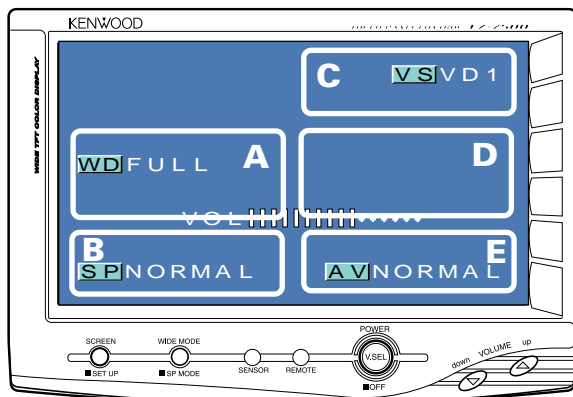
Le panneau à touchement peut être adapté si l'endroit touché et l'opération effectuée ne correspondent pas.

- 1 Toucher précisément la marque située en bas à gauche.
- 2 Toucher précisément la marque située en haut à droite.

Lorsque la marque en haut à droite est touchée, l'ajustement est accompli et l'écran d'installation du système réapparaît.

- Si la touche [CANCEL] est effectuée sans que le bouchon en bas à droite soit touché, le réglage est annulé et l'écran installé avant le passage au menu d'installation système réapparaît.
- Si la touche [CANCEL] est effectuée après que le bouton en bas à gauche soit touché, ce dernier réapparaît.
- Si la touche [RESET] est effectuée, les réglages sont initialisés aux réglages d'usines et l'écran principal du paramétrage système réapparaît.

Mode de contrôle à l'écran



Lorsque les informations relatives à la configuration actuelle sont affichées à l'écran, le fait de toucher une ligne en pointillés permettra de réaliser les points suivants:

Commutation de l'image du moniteur [VS]

Toucher la partie C.

Chaque fois que la partie C est touchée, l'image à l'écran se modifie comme suit:

Affichage Image

"NAV"	Navigation (Pendant "NAV" installé sur "RGB" ou "AV IN1")
"VD1"	Video 1 (Pendant "VD1" installé sur "AV-IN1")
"VD2"	Video 2 (Pendant "VD2" installé sur "AV-IN2")
"CAM"	Video 3 (Pendant "CAMERA/VIDEO" installé sur "VD")

☞ Pour la configuration de "NAV", "VD" et "CAMERA/VIDEO", rappelez-vous au <Ecran de paramétrage du système> (Page 17).

⚠ Il est impossible de regarder des images vidéo pendant que le véhicule se déplace. Pour apprécier les images vidéo, garer le véhicule dans un endroit sûr et tirer le frein à main.

Sélection du mode d'écran Vidéo [WD]

Toucher la partie A.

Chaque fois que la partie A est touchée, le mode à l'écran se modifie comme suit:

Affichage Réglage

"FULL"	Mode Grand écran
"ZOOM"	Mode de Zoom
"JUST"	Uniquement mode écran
"NORMAL"	Mode d'écran normal

☞ Cette commande ne fonctionne pas lorsque l'image de navigation est affichée.

Commuter le mode haut-parleur [SP]

Toucher la partie B.

Chaque fois que la partie B est touchée, le micro intégré se modifie comme suit:

Affichage Réglage

"NORMAL"	Son avec image du moniteur
"NAV"	Son avec image de navigation
"VIDEO1"	Son avec image de la vidéo 1
"VIDEO2"	Son avec image de la vidéo 2
"OFF"	Micro intégré éteint

Réglage du mode de sortie AV [AV]

Toucher la partie E.

Chaque fois que la partie E est touchée, le mode de production AV se modifie comme suit:

Affichage Réglage

"NORMAL"	Image/son avec image du moniteur
"NAV"	Son de navigation
"VIDEO1"	Image/son du terminal <AV IN-1>.
"VIDEO2"	Image/son du terminal <AV IN-2>.

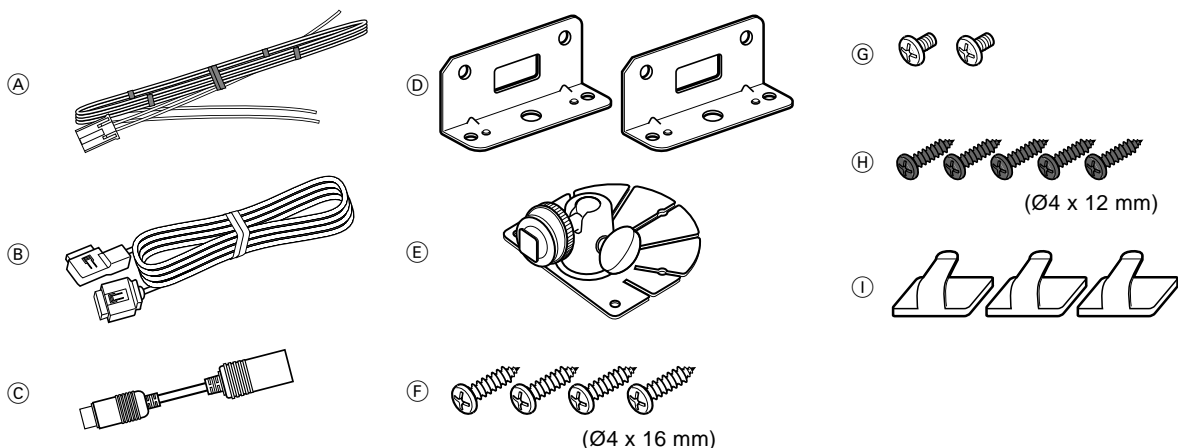
Sortez de mode de contrôle à l'écran

Toucher la partie D.

☞ Si vous n'effectuez aucune opération pendant 10 secondes, le mode de contrôle à l'écran est annulé automatiquement.

Installation

Accessoires



! L'utilisation d'accessoires autres que les accessoires fournis pourrait endommager l'appareil. Assurez-vous d'utiliser les accessoires fournis, indiqués ci-dessus.

Procédure d'installation

- 1 Pour éviter les courts-circuits, retirez la clef de contact et déconnectez la borne \ominus de la batterie.
- 2 Effectuez correctement les connexions d'entrée et sortie de chaque appareil.
- 3 Connectez le faisceau de câbles dans l'ordre suivant: masse, allumage.
- 4 Branchez le connecteur du faisceau à l'appareil.
- 5 Installez l'appareil dans votre voiture.
- 6 Reconnectez la borne \ominus de la batterie.

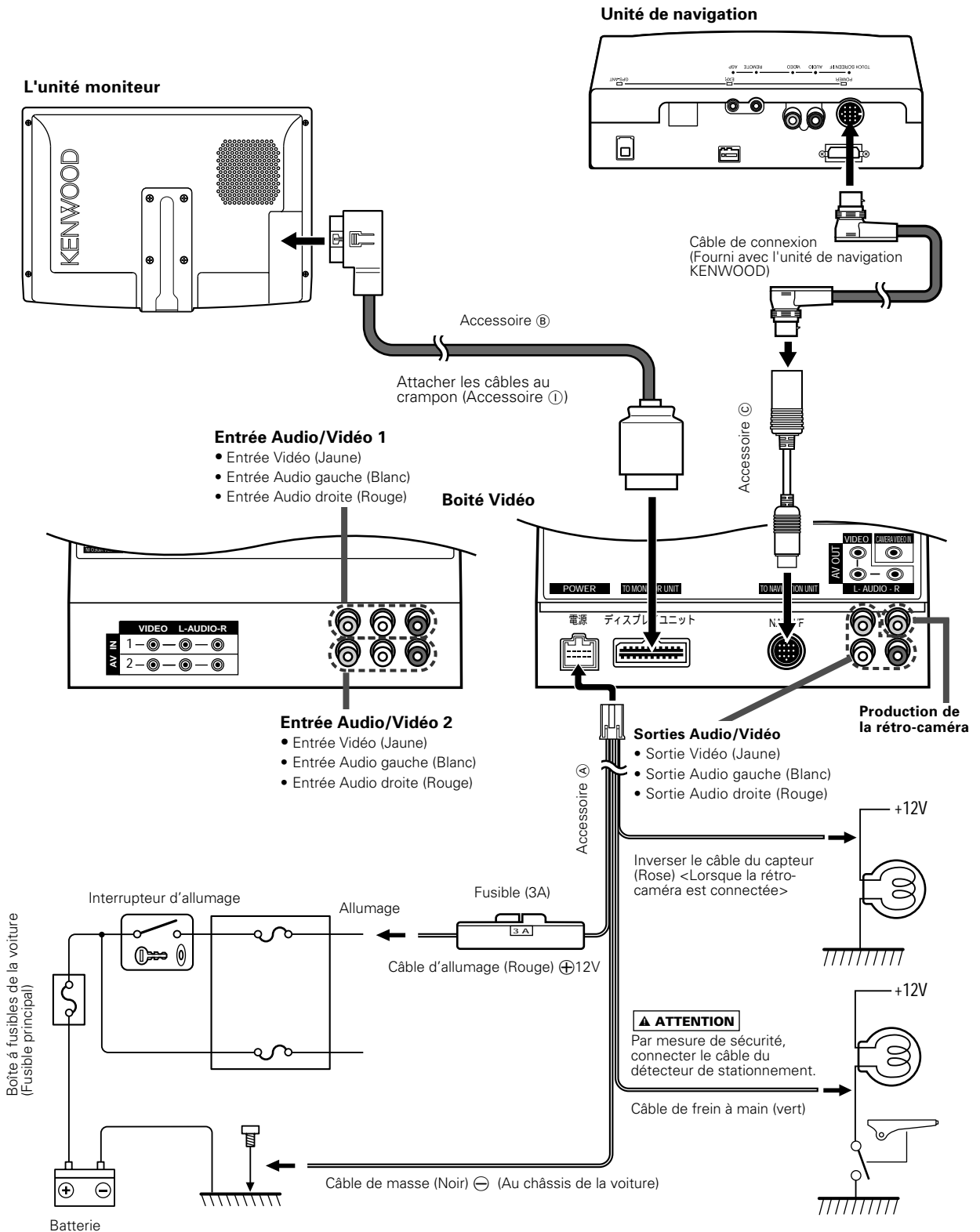
⚠️ AVERTISSEMENT

- Ce produit est destiné à être utilisé uniquement avec une masse négative de 12 V CC. Ne le connectez pas à un autre type d'alimentation.
- Pour éviter un court-circuit, débranchez le câble de la batterie de la borne négative de la batterie pendant l'installation.
- Assurez-vous de bien stabiliser ce produit. Ne l'installez pas dans un endroit instable.
- Suivez les procédures d'installation et de câblage décrites dans ce manuel. Un câblage incorrect ou une installation modifiée peut provoquer non seulement un mauvais fonctionnement ou endommager l'appareil, mais aussi provoquer un accident.
- **N'installez pas l'unité dans les endroits suivants.**
 - Des endroits qui gênent le fonctionnement du système d'air bag.
 - Des endroits qui ne sont pas en matière plastique.
 - ➔ Le fait de l'installer sur une surface en cuir, en bois ou en tissu risque d'endommager la surface.
 - Des endroits soumis aux rayons directs du soleil, à l'air d'un climatiseur, ou des endroits humides ou des endroits où règne une température élevée.
 - ➔ Cela risque de provoquer une déformation du moniteur.
- **Assurez-vous d'utiliser les vis fournies pour l'installation.**

Le fait d'utiliser des vis plus longues que celles fournies, risque de détruire des sections à l'intérieur de l'appareil et de provoquer une émission de fumée. Le fait d'utiliser des vis plus courtes que celles fournies, risque de détacher l'appareil du support d'installation.
- Si vous n'allez pas installer l'appareil avec le support pour moniteur fourni, assurez-vous d'utiliser un support de moniteur disponible dans le commerce. (Des trous de montage du support sont situés au fond du moniteur.)

⚠️ ATTENTION

- Si l'allumage de votre voiture n'a pas de position ACC, connectez le câble d'allumage à une source d'alimentation qui peut être mise sous et hors tension avec la clef de contact. Si vous connectez le câble d'allumage à une source d'alimentation constante, comme un câble de batterie, la batterie risque de se décharger.
- Si un fusible grille, assurez-vous d'abord que les câbles n'ont pas causé de court-circuit puis remplacez le vieux fusible par un nouveau de même valeur.
- Ne laissez pas des câbles non-connectés ou des prises toucher les parties métalliques de la voiture ou autres conducteurs électriques. Pour éviter, les courts-circuits, ne retirez pas non plus les capuchons à l'extrémité des câbles non-connectés ou des prises.
- Après avoir installé l'appareil, vérifiez si les feux de freinage, les indicateurs, les clignotants, etc de la voiture fonctionnent correctement.
- Isolez les câbles non-connectés avec un ruban adhésif en vinyle ou autre matériel similaire.
- Essuyer à fond la poussière ou de la graisse de l'emplacement d'installation à l'aide d'un chiffon imbibé dans une solution de nettoyage neutre et essoré sec. Fixer le socle après avoir séché l'emplacement d'installation.



Installation

Installation pour le moniteur

Emplacement d'installation et nettoyage

Sélectionner un emplacement d'installation où le socle peut être placé complètement à l'horizontale ou dans lequel le bord avant du support (sous forme de pétale) peut être fixé horizontalement comme indiqué sur la Figure A.

Ne pas installer dans des endroits où le support entier est en diagonal comme indiqué sur la Figure B ou dans un endroit où le moniteur est face vers le bas comme sur la Figure C.

⚠ ATTENTION

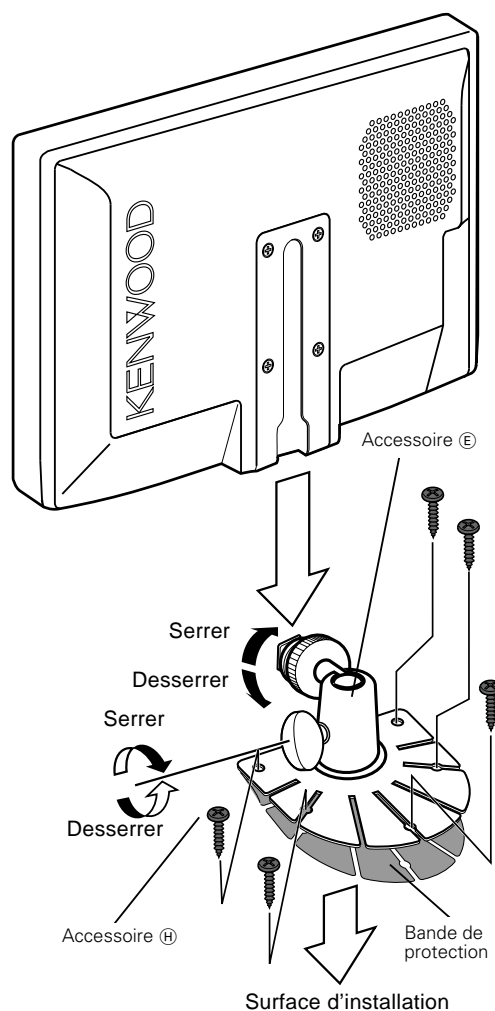
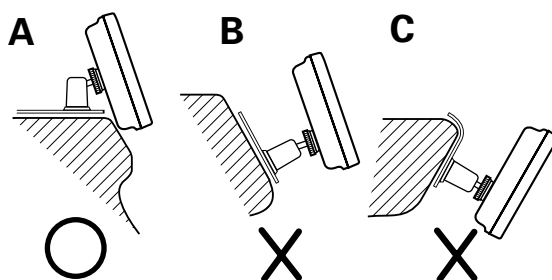
Essuyer à fond la poussière ou de la graisse de l'emplacement d'installation à l'aide d'un chiffon imbibé dans une solution de nettoyage neutre et essoré sec. Fixer le socle après avoir séché l'emplacement d'installation.

- 1 Plier le support selon la forme de l'emplacement d'installation.
- 2 Ajuster la forme du support de sorte qu'il n'y a pas de crépitement ou un espace libre lorsque le socle est placé sur le support.
- 3 Enlever la bande de protection du ruban adhésif double face au fond du socle et fixer fermement le socle.

⚠ ATTENTION

- Ne pas fixer le ruban adhésif double face plusieurs fois et ne pas toucher le ruban adhésif avec les doigts, car cela affaiblit la force adhésive.
 - Si la température à la surface de l'emplacement d'installation est trop basse, la réchauffer à l'aide d'un radiateur ou un autre appareil avant de fixer le socle. Une basse température risque d'affaiblir la force adhésive de la bande.
 - Le montant fourni est spécialement destiné à ce produit. Ne pas l'utiliser avec un autre téléviseur.
- 4 Fixer le montant à l'aide de la vis taraudeuse fournie (Accessoire ④).
 - 5 Après la fixation du socle, le laisser pendant 24 heures.
 - 6 Faire attention à ne pas appliquer une force sur le montant à ce moment-là.
 - 7 Dévisser complètement les vis d'installation, aligner la fente à l'arrière de l'appareil à l'aide du sabot d'installation et glisser le moniteur sur le socle.
 - 8 Ajuster la hauteur, l'angle horizontal et l'angle vertical du moniteur et serrer fermement les vis d'installation.

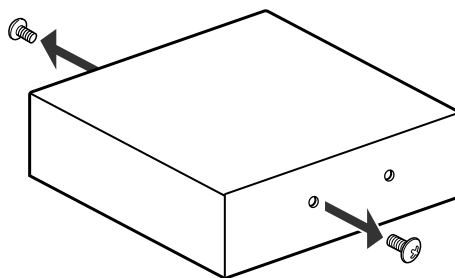
La position en avant du moniteur peut également être réglée en desserrant le bouton de réglage d'angle et en ajustant l'angle du socle d'installation du moniteur.



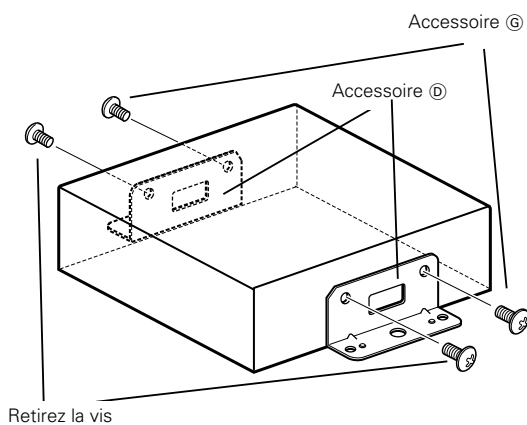
Installation de la boîte vidéo

■ Fixation sur le panneau audio

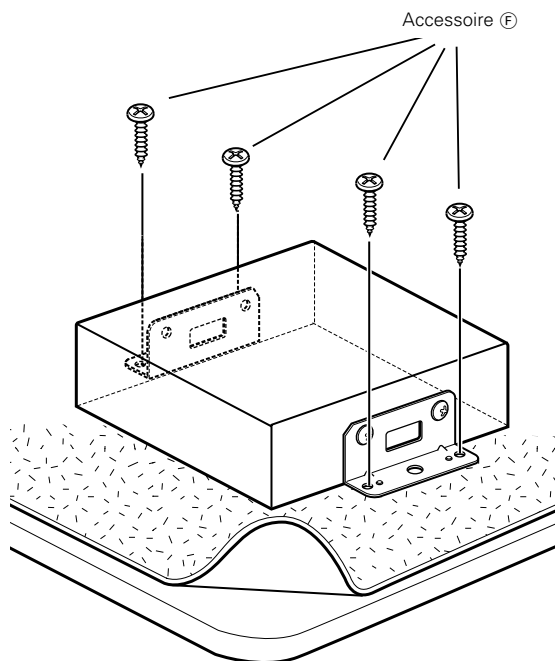
1 Enlevez les vis des deux côtés déjà attachés à la boîte vidéo.



2 Utilisez les vis enlevées au point 1 et des vis fixes (Accessoire ⑥) pour fixer les agrafes (Accessoire ④) des deux côtés de la boîte vidéo.



3 Utilisez des vis (Accessoire ⑥) pour fixer la boîte vidéo dans un tableau audio ou autre.



Guide de dépannage

Ce qui peut apparaître comme un mauvais fonctionnement de votre appareil n'est peut être que le résultat d'une mauvaise opération ou d'une mauvaise connexion. Avant d'appeler un centre de service, vérifiez d'abord dans le tableau suivant les problèmes possibles.

PROBLEME	CAUSE POSSIBLE	SOLUTION
L'appareil ne se met pas sous tension.	Le fusible a grillé.	Après avoir vérifié qu'il n'y a pas de court-circuits dans les câbles, remplacez le fusible par un de la même valeur.
	Pas de position ACC sur l'allumage du véhicule.	Connectez le même câble à l'allumage comme câble de batterie.
Aucune image vidéo n'apparaît.	L'appareil n'est pas connecté au commutateur de détection du frein à main.	Faire des connexions correctes selon "Connexion".
	Le frein à main n'est pas enclenché.	Pour des raisons de sécurité, aucune image vidéo n'est affichée. L'enclenchement du frein à main fera apparaître les images.
L'écran est sombre.	L'appareil est dans un endroit où la température est basse.	Si la température du moniteur tombe, l'écran peut apparaître plus sombre lorsque l'appareil est allumé pour la première fois à cause des caractéristiques du panneau à cristaux liquides. Attendre un moment après la mise sous tension pour que la température monte. La luminosité normale va revenir.

Spécifications

Les spécifications sont sujettes à changements sans notification.

Unité moniteur

Taille d'écran	Large 6,95 pouces 154,1(L) x 86,6(H) x 176,7(Diagonal) mm
Système d'affichage	Panneau LCD TN transparent
Système d'entraînement	Système de matrice active TFT
Nombre de pixels	336.960 pixels (480 H x 234 V x RGB)
Pixels effectifs	99,99%
Pixel arrangement	Disposition par bandes RGB
Eclairage arrière	Tube cathodique froid
Alimentation d'haut-parleur	1 W (40 Ø x 1)

Unité boîtier vidéo

Système de couleur	NTSC/PAL
Niveau d'entrée vidéo externe (RCA jacks)	1 ± 0,1 Vp-p/ 75 Ω
Niveau d'entrée audio externe (RCA jacks)	1 V/ 22 KΩ
Niveau de sortie vidéo (fiches RCA)	1 ± 0,1 Vp-p/ 75 Ω
Niveau de sortie audio (fiches RCA)	500 mV/ 1 KΩ
Entrée d'analogique RGB	0,7 Vp-p/ 75 Ω

Général

Tension de fonctionnement	14,4 V DC (11 à 16 V)
Courant absorbé	14 W
Fourchette de température de fonctionnement	-10°C à +60°C
Fourchette de température de rangement	-30°C à +80°C
Taille	
(Unité moniteur)	189(L) x 131(H) x 37(P) mm
(Unité boîtier vidéo)	167(L) x 38(H) x 152(P) mm
Masse	
(Unité moniteur)	580 g
(Unité boîtier vidéo)	620 g

Bien que le taux de pixels effectifs du panneau à cristaux liquides soit estimé à 99,99 % ou plus, 0,01 % de pixels peuvent ne pas éclairer ou peuvent éclairer incorrectement.

KENWOOD

Inhalt

Vor der Inbetriebnahme	26	
• Inhalt		
• Sicherheitshinweise		
Bedienung	27	
Grundlegende Bedienung	27	
• Netz		
• Das Monitorbild umschalten <VS>		
• Lautstärke <VOL>		
• Den Video-Bildschirmbetrieb auswählen <WD>		
• Umschalten des Lautsprechermodus <SP>		
Bildschirm-Steuerbildschirm	28	
• Die Bildqualität/Ausfahrposition einstellen		
Setup-Menübildschirm	28	
• Den Setup-Menübildschirm auswählen		
• Den System-Setup-Bildschirm aufrufen		
• Den Tastenfeld-Einstellbildschirm auswählen		
• Verlassen des Setup-Menübildschirms		
System-Setup-Bildschirm-1	29	
• Einstellen des Navigationsmodus <NAV>		
• Einstellung AV IN1-Modus <VD1>		
• Einstellung AV IN2-Modus <VD2>		
• Einstellen des Kameramodus <CAMERA/VIDEO>		
• Umschalten zum Systemsetup-Bildschirms-2		
• Verlassen des Systemsetup-Bildschirms		
System-Setup-Bildschirm-2	30	
• Den AV-Ausgangs-Betrieb einstellen <AV OUT>		
• Tastenton <BEEP>		
• Zum System-Setup Bildschirm -1 zurückkehren		
• Den System-Setup Bildschirm verlassen		
Tastenfeld-Einstellbildschirm	30	
• Einstellen des Touch-Screens		
Im Bildschirmsteuerungsmodus	31	
• Das Monitorbild umschalten [VS]		
• Den Video-Bildschirmbetrieb auswählen [WD]		
• Umschalten des Lautsprechermodus [SP]		
• Den AV-Ausgangs-Betrieb einstellen [AV]		
• Verlassen des Im Bildschirmsteuerungsmodus		
Einbau	32	
Fehlersuche	36	
Technische Daten	36	

Sicherheitshinweise

▲WARNUNG

Zur Vermeidung von Bränden und Verletzungen beachten Sie bitte die folgenden Hinweise:

- Befestigen Sie das Gerät sicher mit den mitgelieferten Haltern, damit es bei einem Unfall nicht durch das Wageninnere geschleudert wird.
- Verwenden Sie bei Verlegung des Betriebsstrom-, Speicherschutz- und Massekabels besonders strapazierfähige und speziell für die Installation im Auto angebotene Kabel mit einem Leitungsquerschnitt von mindestens 0,75 mm² (AWG 18).
- Stellen Sie sicher, daß keine Metallgegenstände (Münzen, Nadeln, Werkzeuge etc.) ins Innere des Geräts gelangen und Kurzschlüsse verursachen.
- Schalten Sie das Gerät bei Geruch- oder Rauchentwicklung sofort aus und suchen Sie einen KENWOOD-Fachhändler auf.
- Wird das LCD-Display durch äußere Einwirkungen wie Sturz oder Schlag zerbrochen, meiden Sie den Kontakt mit der evt. austretenden Kristallflüssigkeit.
Diese Flüssigkeit kann Ihre Gesundheit beeinträchtigen.

▲ACHTUNG

Bitte beachten Sie folgende Vorsichtsmaßnahmen, damit Ihr Gerät stets einwandfrei funktioniert:

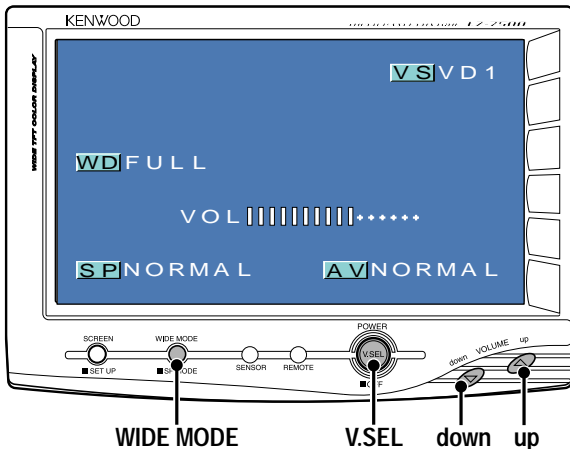
- Betreiben Sie das Gerät ausschließlich mit 12-Volt-Gleichstrom und negativer Masseverbindung.
- Entfernen Sie nicht die Gehäuseabdeckungen.
- Schützen Sie das Gerät vor direkter Sonneneinstrahlung, zu hohen Temperaturen, Feuchtigkeit, Spritzwasser und Staub.
- Die abnehmbare Bedieneinheit ist ein Präzisionsteil und enthält empfindliche Elektronikbausteine. Behandeln Sie sie daher äußerst sorgfältig.
- Achten Sie beim Austauschen einer Sicherung darauf, daß der Wert der Sicherung mit den Angaben am Gerät übereinstimmt. Sicherungen mit einem falschen Wert können Fehlfunktionen verursachen oder zur Beschädigung des Geräts führen.
- Unterbrechen Sie vor dem Austauschen einer Sicherung zunächst die Kabelverbindungen, um Kurzschlüsse zu verhindern.
- Verwenden Sie für den Einbau ausschließlich die mitgelieferten Schrauben. Zu lange oder zu dicke Schrauben können das Gerät beschädigen.
- Sie können sich keine Videos anschauen, während das Fahrzeug fährt. Parken Sie an einem sicheren Ort und betätigen Sie die Feststellbremse, um sich Video-Bilder anzusehen.

Anmerkung

Sollten Sie Probleme bei der Installation des Geräts haben, lassen Sie sich von Ihrem KENWOOD-Fachhändler beraten.

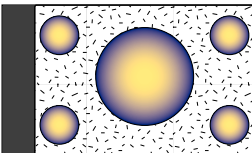
Die in dieser Bedienungsanleitung gezeigten Abbildungen des Autoradio-Displays und der Frontblende dienen lediglich als Erklärungshinweise für die vielseitigen Einstellmöglichkeiten Ihres Geräts. Deshalb können sich geringfügige Abweichungen zwischen der Display-Darstellung Ihres Geräts und den Illustrationen in der Anleitung ergeben.

Grundlegende Bedienung

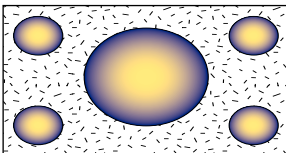


Bildschirmbetrieb

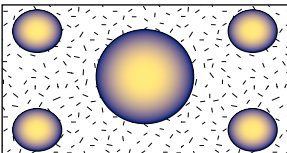
• NORMAL



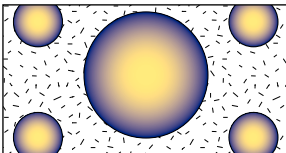
• FULL



• JUST



• ZOOM



Netz

Einschalten des Gerätes

Drücken Sie die [V.SEL]-Taste.

Schalten Sie das Gerät aus (Standby-Modus)

Drücken Sie mindestens 1 Sekunde lang die [V.SEL]-Taste.

Das Monitorbild umschalten <VS>

Drücken Sie die [V.SEL]-Taste.

Bei jeder Betätigung der Taste schaltet sich das Bild des Monitors wie nachfolgend gezeigt um:

Display	Bild
"NAV"	Navigation (Während "NAV" auf "RGB" oder "AV IN1" eingestellt ist)
"VD1"	Video 1 (Während "VD1" auf "AV-IN1" eingestellt ist)
"VD2"	Video 2 (Während „VD2" auf "AV-IN2" eingestellt ist)
"CAM"	Video 3 (Während "CAMERA/VIDEO" auf "VD" eingestellt ist)

☰ Näheres zur Einstellung von "NAV", "VD" und "CAMERA/VIDEO" finden Sie unter <System-Setup-Bildschirm> (Seite 29).



Sie können sich keine Videos anschauen, während das Fahrzeug fährt. Parken Sie an einem sicheren Ort und betätigen Sie die Feststellbremse, um sich Video-Bilder anzusehen.

Lautstärke <VOL>

Erhöhen der Lautstärke:

Drücken Sie die [up]-Taste.

Senken der Lautstärke:

Drücken Sie die [down]-Taste.

Den Video-Bildschirmbetrieb auswählen <WD>

Drücken Sie die [WIDE MODE]-Taste.

Bei jeder Betätigung der Taste schaltet sich der Bildschirmbetrieb wie nachfolgend gezeigt um:

Display	Einstellung
"FULL"	Vollbildschirm-Modus
"ZOOM"	Zoombildschirm-Modus
"JUST"	Nur-Bildschirm-Modus
"NORMAL"	Normalbildschirm-Modus



Sie können das Gerät nicht betreiben, wenn das Navigationsbild angezeigt wird.

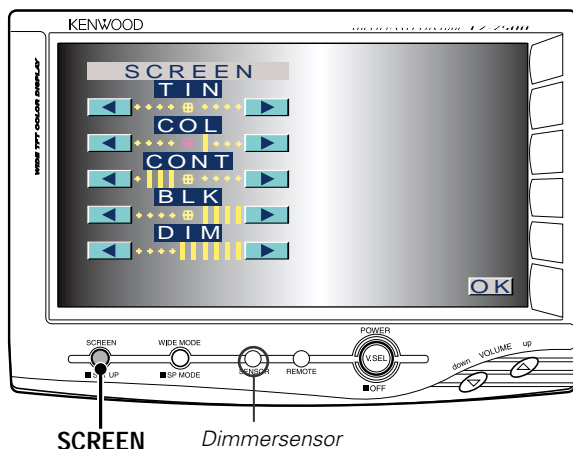
Umschalten des Lautsprechermodus <SP>

Drücken Sie mindestens 1 Sekunde lang die [WIDE MODE]-Taste.

Jedes Mal, wenn die Taste mindestens 1 Sekunde lang gedrückt wird, schaltet der integrierte Lautsprechermodus wie folgt um:

Display	Einstellung
"NORMAL"	Ton mit Monitorbild
"NAV"	Ton mit Navigationsbild
"VIDEO1"	Ton mit Bild des 1. Videos
"VIDEO2"	Ton mit Bild des 2. Videos
"OFF"	Integrierter Lautsprecher ist ausgeschaltet

Bildschirm-Steuerbildschirm



Die Bildqualität einstellen

1 Anzeigen des Bildschirms Bildschirmsteuerung

Drücken Sie die [SCREEN]-Taste.

2 Einstellung

Tippen Sie die [◀] oder [▶]-Taste.

Punkt	Tippen	Einstellung
TIN	[▶]	Stärkerer Grünpegel
	[◀]	Stärkerer Rotpegel
COL	[▶]	Satterer Farbton
	[◀]	Blasserer Farbton
CONT	[▶]	Stärkerer Kontrast
	[◀]	Schwächerer Kontrast
BLK	[▶]	Schwächerer Schwarzpegel
	[◀]	Stärkerer Schwarzpegel
DIM	[▶]	Hellerer Bildschirm
	[◀]	Dunklerer Bildschirm

- [TIN] und [COL] können nicht für das RGB-Navigationsbild oder den Setup-Screen eingestellt werden.
- [TIN] kann nicht bei PAL-Bildern eingestellt werden.
- Für Fernsehen, für Video, für die Steuerungsbildschirme und für die Verwendung der Navigation können getrennte Einstellungen hinsichtlich der Bildqualität eingegeben werden.

Bezüglich der [DIM] (Dimmer) Einstellung:

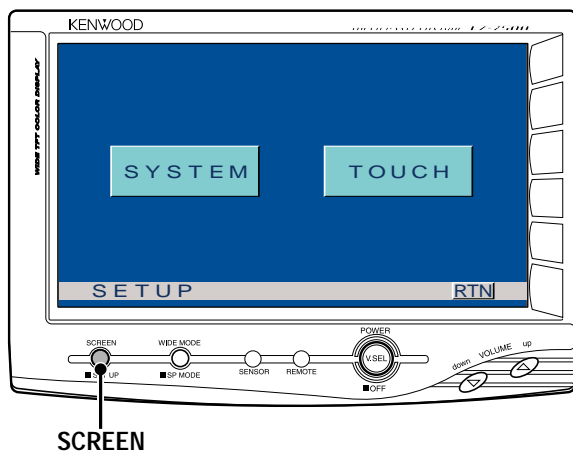
Es gibt keine Verbindung zum Beleuchtungsschalter des Fahrzeugs. (Ein Dimmersensor ist für die Lichterkennung an der Vorderseite des Monitors montiert).

3 Verlassen des Bildschirms Steuerbildschirm

Tippen Sie die [OK]-Taste.

- Wenn Sie 10 Sekunden lang keine Bedienung ausführen, wird der Bildschirm Bildschirmsteuerung automatisch verlassen.

Setup-Menübildschirm



Den Setup-Menübildschirm auswählen

Drücken Sie mindestens 1 Sekunde lang die [SCREEN]-Taste.

Der Setup-Menübildschirm wird angezeigt.

Den System-Setup-Bildschirm aufrufen

Tippen Sie die [SYSTEM]-Taste.

Der System-Setup-Bildschirm wird angezeigt. (Seite 29)

Den Tastenfeld-Einstellbildschirm auswählen

Tippen Sie die [TOUCH]-Taste.

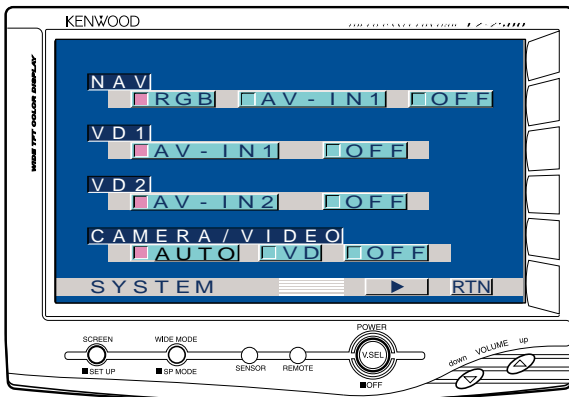
Der Tastenfeld-Einstellbildschirm wird angezeigt. (Seite 30)

Verlassen des Setup-Menübildschirms

Tippen Sie die [RTN]-Taste.

- Wenn Sie kein Setup-Menü-Element auswählen können: Drücken Sie mindestens 2 Sekunden lang die [SCREEN]-Taste. Die Positionseinstellungen für den Touch-Screen werden auf die Fabrikvoreinstellungen zurückgesetzt.

System-Setup-Bildschirm-1



Einstellen des Navigationsmodus <NAV>

Tippen	Einstellung
[■RGB]	Sie gelangen zur Einstellung des RGB-Bildmodus. Bedienen Sie die V.SEL-Taste, wenn das RGB-Bild vom Navigationsgerät, das an den <NAV I/F>-Anschluss angeschlossen ist, auf dem Monitor angezeigt wird.
[■AV-IN1]	Sie gelangen zur Einstellung des Composite-Bildmodus. Bedienen Sie die V.SEL-Taste, wenn das Composite-Bild vom Navigationsgerät, das an den <AV IN-1>-Anschluss angeschlossen ist, auf dem Monitor angezeigt wird.
[■OFF]	Sie gelangen zur Einstellung des Deaktiviert-Modus. Verwenden Sie diese Einstellung, wenn kein Gerät an den <NAV I/F>- oder <AV IN-1>-Anschluss angeschlossen ist.

Einstellung AV IN1-Modus <VD1>

Tippen	Einstellung
[■AV-IN1]	Diese Einstellung wird zur Videomodus-Einstellung. Betätigen Sie die Taste V.SEL, wenn das Bild von dem an den <AV IN1>-Anschluss angeschlossenem Gerät auf dem Monitor angezeigt wird.
[■OFF]	Diese Einstellung wird zur Ausschaltmodus-Einstellung. Verwenden Sie diese Einstellung, wenn keinerlei Geräte an den Anschluss <AV IN1> angeschlossen sind.

Wenn Sie "AV-IN 1" auswählen, wird die "NAV"-Einstellung zu "RGB" geändert.

Einstellung AV IN2-Modus <VD2>

Tippen	Einstellung
[■AV-IN2]	Diese Einstellung wird zur Videomodus-Einstellung. Betätigen Sie die Taste V.SEL, wenn das Bild von dem an den <AV IN2>-Anschluss angeschlossenem Gerät auf dem Monitor angezeigt wird.
[■OFF]	Diese Einstellung wird zur Ausschaltmodus-Einstellung. Verwenden Sie diese Einstellung, wenn keinerlei Geräte an den Anschluss <AV IN2> angeschlossen sind.

Einstellen des Kameramodus <CAMERA/VIDEO>

Tippen	Einstellung
[■AUTO]	Sie gelangen zur Einstellung des Rückspiegelkamera-Modus. Wenn das rückwärtige Sensorkabel angeschlossen ist, wird das Monitorbild zum Bild des Geräts umgeschaltet, das an den <CAMERA VIDEO IN>-Anschluss angeschlossen ist.
[■VD]	Diese Einstellung wird zur Videomodus-Einstellung. Betätigen Sie die Taste V.SEL, wenn das Bild von dem an den <CAMERA VIDEO IN>-Anschluss angeschlossenem Gerät auf dem Monitor angezeigt wird.
[■OFF]	Diese Einstellung wird zur Ausschaltmodus-Einstellung. Verwenden Sie diese Einstellung, wenn keinerlei Geräte an den Anschluss <CAMERA VIDEO IN> angeschlossen sind.

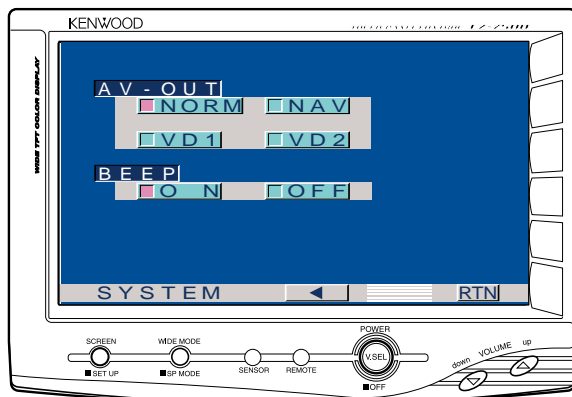
Umschalten zum Systemsetup-Bildschirms-2

Tippen Sie die [▶]-Taste.

Verlassen des Systemsetup-Bildschirms

Tippen Sie die [RTN]-Taste.
Rückkehr zum Setup-Menübildschirm.

System-Setup-Bildschirm-2



Den AV-Ausgangs-Betrieb einstellen <AV OUT>

Tippen	Einstellung
[NORM]	Bild/Ton mit Monitorbild
[NAV]	Navigationston
[VD1]	Bild/Ton vom <AV IN-1>-Anschluss
[VD2]	Bild/Ton vom <AV IN-2>-Anschluss

Tastentone <BEEP>

Ein-/Ausschalten des Tastentons (Biepton).

Tippen	Einstellung
[ON]	Der Kontaktsensor-Ton ist eingeschaltet
[OFF]	Der Kontaktsensor-Ton ist ausgeschaltet

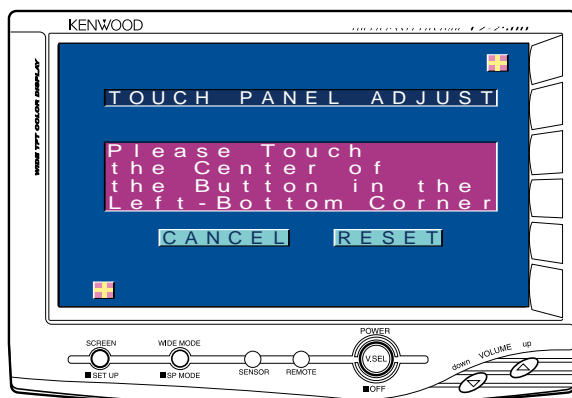
Zum System-Setup Bildschirm -1 zurückkehren

Tippen Sie die [◀]-Taste.

Den System-Setup Bildschirm verlassen

Tippen Sie die [RTN]-Taste.
Rückkehr zum Setup-Menübildschirm.

Tastentfeld-Einstellbildschirm



Einstellen des Touch-Screens

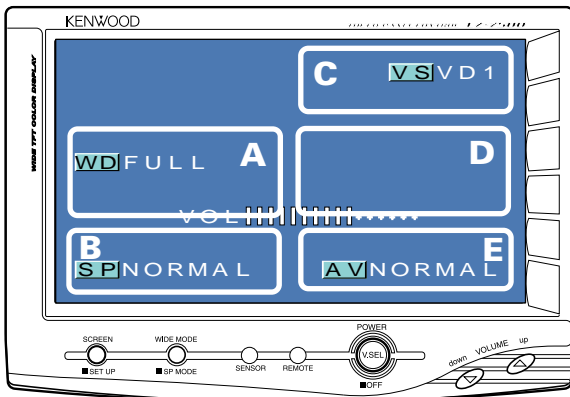
Genau die Markierungen unten links und oben rechts den Meldungsanleitungen folgend berühren.

- 1 Tippen Sie genau auf die Markierung unten links.
- 2 Tippen Sie genau auf die Markierung oben rechts.

Wenn Sie auf die Markierung oben rechts tippen, ist die Einstellung beendet und der Bildschirm System-Setup-Menü erscheint wieder.

- Wenn die [CANCEL]-Taste getippt wird, ohne dass die Taste unten links getippt wird, wird die Einstellung abgebrochen und der Bildschirm, der vor dem Umschalten zum System-Setup-Menü eingestellt war, erscheint wieder.
- Wenn die [CANCEL]-Taste getippt wird, nachdem die Taste unten links getippt wurde, erscheint die Taste unten links wieder.
- Wenn Tippen Sie [RESET]-Taste berührt wird, werden die Einstellungen auf die Werkseinstellungen rückgesetzt und der Systemeinstellungsbildschirm erscheint wieder.

Im Bildschirmsteuerungsmodus



Wenn die aktuellen Einstellungsinformationen auf dem Bildschirm angezeigt werden, aktiviert das Tippen einer gepunkteten Linie die Bedienung der folgenden Elemente:

Das Monitorbild umschalten [VS]

Tippen auf Teil C.

Jedes Mal, wenn Sie auf Teil C tippen, wird das Monitorbild wie folgt umgeschaltet:

Display	Bild
"NAV"	Navigation (Während "NAV" auf "RGB" oder "AV IN1" eingestellt ist)
"VD1"	Video 1 (Während "VD1" auf "AV-IN1" eingestellt ist)
"VD2"	Video 2 (Während "VD2" auf "AV-IN2" eingestellt ist)
"CAM"	Video 3 (Während "CAMERA/VIDEO" auf "VD" eingestellt ist)

Näheres zur Einstellung von "NAV", "VD" und "CAMERA/VIDEO" finden Sie unter <System-Setup-Bildschirm> (Seite 29).

Sie können sich keine Videos anschauen, während das Fahrzeug fährt. Parken Sie an einem sicheren Ort und betätigen Sie die Feststellbremse, um sich Video-Bilder anzusehen.

Den Video-Bildschirmbetrieb auswählen [WD]

Tippen auf Teil A.

Jedes Mal, wenn Sie auf Teil A tippen, wird der Bildschirmmodus wie folgt umgeschaltet:

Display	Einstellung
"FULL"	Vollbildschirm-Modus
"ZOOM"	Zoombildschirm-Modus
"JUST"	Nur-Bildschirm-Modus
"NORMAL"	Normalbildschirm-Modus

Sie können das Gerät nicht betreiben, wenn das Navigationsbild angezeigt wird.

Umschalten des Lautsprechermodus [SP]

Tippen auf Teil B.

Jedes Mal, wenn Sie auf Teil B tippen, wird der integrierte Lautsprechermodus wie folgt umgeschaltet:

Display	Einstellung
"NORMAL"	Ton mit Monitorbild
"NAV"	Ton mit Navigationsbild
"VIDEO1"	Ton mit Bild des 1. Videos
"VIDEO2"	Ton mit Bild des 2. Videos
"OFF"	Integrierter Lautsprecher ist ausgeschaltet

Den AV-Ausgangs-Betrieb einstellen [AV]

Tippen auf Teil E.

Jedes Mal, wenn Sie auf Teil E tippen, wird der AV-Ausgangsmodus wie folgt umgeschaltet:

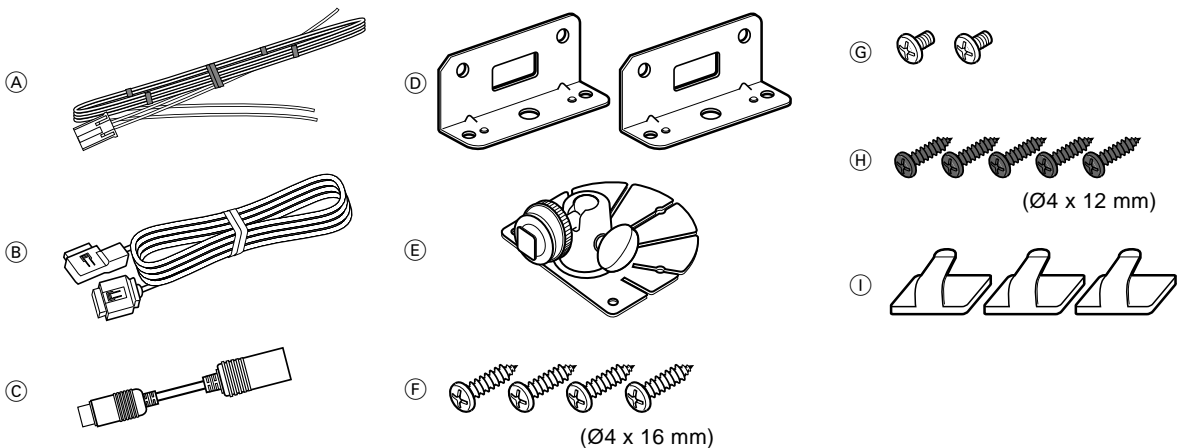
Display	Einstellung
"NORMAL"	Bild/Ton mit Monitorbild
"NAV"	Navigationston
"VIDEO1"	Bild/Ton vom <AV IN-1>-Anschluss
"VIDEO2"	Bild/Ton vom <AV IN-2>-Anschluss

Verlassen des Im Bildschirmsteuerungsmodus

Tippen auf Teil D.

Wenn Sie 10 Sekunden lang keine Bedienung ausführen, wird der Steuerungsmodus auf dem Bildschirm automatisch abgebrochen.

Zubehör



⚠ Verwenden Sie nur dieses Original-Zubehör, um Beschädigungen Ihres Autoradios zu vermeiden. Verwenden Sie nur das mit dem Gerät gelieferte, oben aufgeführte Zubehör.

Hinweise zum Einbau

- 1 Ziehen Sie den Zündschlüssel ab und trennen Sie den Minuspol von der Batterie, um Kurzschlüsse zu vermeiden.
- 2 Verbinden Sie die Ein- und Ausgangskabel der einzelnen Geräte.
- 3 Verbinden Sie (in der nachfolgenden Reihenfolge) das Massekabel, und das Stromversorgungskabel in dieser Reihenfolge mit dem Kabelbaum.
- 4 Stecken Sie die Kabelbaumanschlüsse ans Gerät.
- 5 Bauen Sie das Gerät ein.
- 6 Schließen Sie den Minuspol der Batterie an.

⚠ WARNUNG

- Dieses Produkt ist ausschließlich für die Benutzung mit 12 V Gleichstrom, negative Erde, ausgelegt. Schließen Sie es an keine andere Spannungsquelle an.
- Trennen Sie das Batteriekabel während der Installation von der negativen Klemme ab, um einen Kurzschluss zu vermeiden.
- Achten Sie unbedingt darauf, dass dieses Produkt einen festen Stand hat. Installieren Sie es nicht an einem instabilen Ort.
- Folgen Sie den in diesem Handbuch beschriebenen Installations- und Verdrahtungsverfahren. Eine falsche Verdrahtung oder eine modifizierte Installation kann nicht nur zu einer Fehlfunktion oder Beschädigung führen, sondern auch einen Unfall verursachen.
- **Installieren Sie das Gerät nicht an den nachfolgend aufgeführten Orten.**
 - An einer Stelle, an der das Gerät die ordnungsgemäße Funktion des Airbags beeinflussen könnte.
 - An einem Ort, der nicht aus Kunststoff ist.
 - ➔ Die Installation auf Leder, Holz oder Stoff könnte die Oberfläche angreifen.
 - An einem Ort, der direkter Sonnenbestrahlung, der Luft von einer Klimaanlage, Feuchtigkeit oder hohen Temperaturen ausgesetzt ist.
 - ➔ Dies könnte zu einer Verformung der Monitor-Einheit führen.

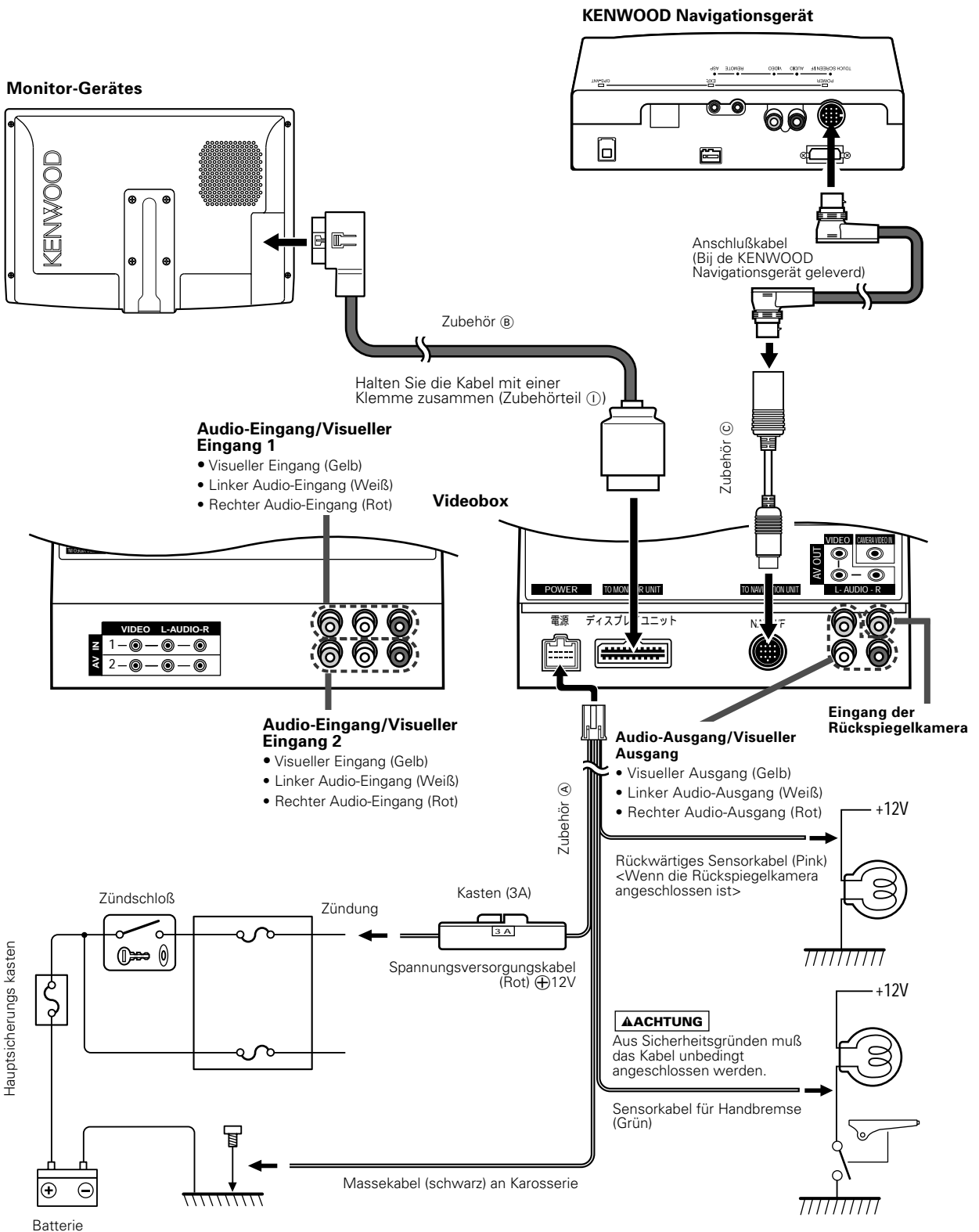
- **Verwenden Sie für die Installation unbedingt die mitgelieferten Schrauben.**

Die Benutzung von Schrauben, die länger sind als die mitgelieferten, kann die inneren Bauteile des Gerätes beschädigen, was zu einem Qualitätsverlust vom Gerät führen kann. Bei der Verwendung von kürzeren als den mitgelieferten Schrauben könnte sich das Gerät aus dem Montagerahmen lösen.

- Wenn Sie das Gerät nicht mit dem mitgelieferten Monitorständer installieren möchten, benutzen Sie bitte einen handelsüblichen Monitorständer. (Montagelöcher für einen derartigen Ständer befinden sich am Boden der Monitor-Einheit.)

⚠ ACHTUNG

- Sollte Ihre Zündung über keinen ACC-Anschluß verfügen, verbinden Sie die Stromversorgungskabel mit einem anderen Anschluß, der durch die Zündung ein- und ausgeschaltet wird. Wenn Sie die Stromversorgung an einen dauerhaft mit Strom versorgten Anschluß verbinden, besteht die Gefahr, daß sich die Batterie entlädt.
- Wenn die Sicherung anspricht, überprüfen Sie zunächst die Kabel auf einen Kurzschluß. Ersetzen Sie dann die defekte Sicherung durch eine intakte Sicherung gleichen Werts.
- Achten Sie darauf, daß keine nicht angeschlossenen Kabelenden mit der Karosserie des Fahrzeugs in Verbindung kommen können. Um Kurzschlüsse zu verhindern, entfernen Sie keine Schutzhüllen von den Kabelenden oder Verbindungssteckern.
- Prüfen Sie nach dem Einbau, ob Bremslichter, Blinker und Scheibenwischer einwandfrei funktionieren.
- Reinigen Sie die Installationsfläche vollständig von Öl und anderen Verschmutzungen.
- Beseitigen Sie sämtlichen Staub und Schmutz am Aufstellungsort vor der Installation mit einem Tuch, das Sie zuvor in neutralen Reiniger getaucht und anschließend ausgewrungen haben. Befestigen Sie den Fuß erst dann, wenn der Aufstellungsort trocken ist.



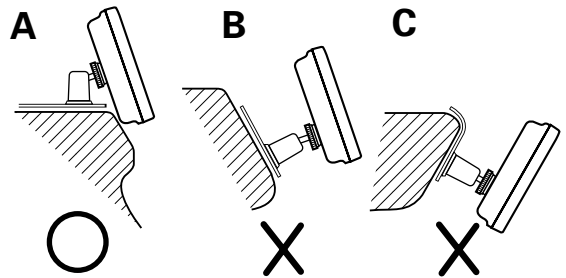
Installation für die Monitor-Einheit

Aufstellungsort und Reinigung

Wählen Sie einen Aufstellungsort, an dem der Fuß vollständig horizontal aufgestellt werden kann oder an dem die Vorderkante des Halters (der blattförmige Teil) – wie in Abbildung **A** gezeigt – horizontal befestigt werden kann. Wählen Sie keinen Aufstellungsort, an dem sich der ganze Halter – wie in Abbildung **B** gezeigt – in horizontaler Position befindet oder bei dem der Monitor – wie in Abbildung **C** dargestellt – nach unten zeigt.

⚠ ACHTUNG

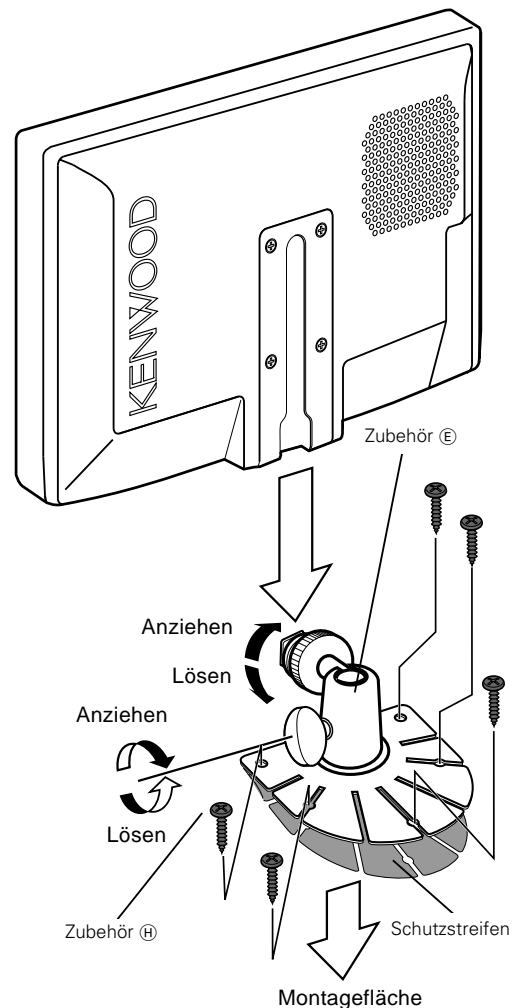
Beseitigen Sie sämtlichen Staub und Schmutz am Aufstellungsort vor der Installation mit einem Tuch, das Sie zuvor in neutralen Reiniger getaucht und anschließend ausgewrungen haben. Befestigen Sie den Fuß erst dann, wenn der Aufstellungsort trocken ist.



- 1 Ziehen Sie die Fußhalterung aus, um diese der Form des Installationsortes anzupassen.
- 2 Der Halter muss so geformt werden, dass nach dem Platzieren des Fußes im Halter kein Rasseln zu hören ist. Darüber hinaus darf zwischen Fuß und Halter kein Spiel sein.
- 3 Ziehen Sie den Schutzstreifen vom doppelseitigen Klebeband unter dem Fuß ab und befestigen Sie ihn.

⚠ ACHTUNG

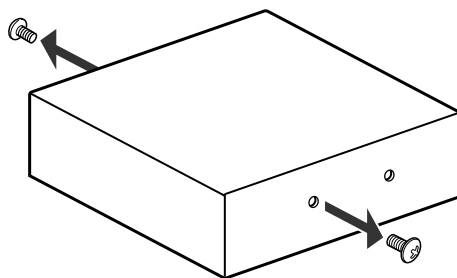
- Befestigen Sie das doppelseitige Klebeband nicht mehr als einmal und berühren Sie es nicht mit den Fingern, da sich dies negativ auf die Klebkraft auswirken würde.
 - Wenn die Oberflächentemperatur des Aufstellungsortes niedrig ist, müssen Sie den Aufstellungsort vor der Befestigung des Fußes mit einem Heizgerät oder auf andere Weise erwärmen. Eine niedrige Temperatur könnte sich negativ auf die Klebkraft des Klebebandes auswirken.
 - Der mitgelieferte Fuß ist speziell für die Benutzung mit diesem Produkt vorgesehen. Verwenden Sie ihn nicht für ein anderes Fernsehgerät.
- 4 Befestigen Sie den Fuß mit den mitgelieferten Befestigungsschrauben (Zubehör ⑥).
 - 5 Nach Befestigung des Fußes sollten Sie ihn 24 Stunden unberührt lassen.
 - 6 Achten Sie darauf, dass der Fuß während dieser Zeit keinerlei Krafteinwirkung ausgesetzt wird.
 - 7 Lösen Sie die Montageschraube vollständig, gleichen Sie den Schlitz auf der Geräterückseite mit dem Montageschuh ab und schieben Sie die Monitor-Einheit auf den Fuß.
 - 8 Stellen Sie die Höhe, den horizontalen sowie vertikalen Winkel des Monitors ein und ziehen Sie die Montageschrauben fest an.
- Auch die Vorwärtsposition der Monitor-Einheit kann eingestellt werden, indem Sie die Winkeleinstellknöpfe lösen und den Winkel des Montagefußes der Monitor-Einheit justieren.



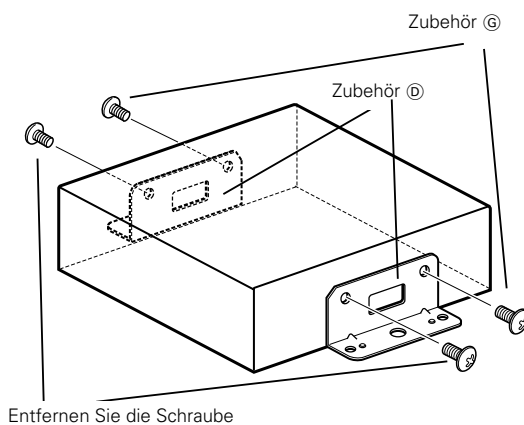
Installation der Videobox

■ An der Audiotafel sichern

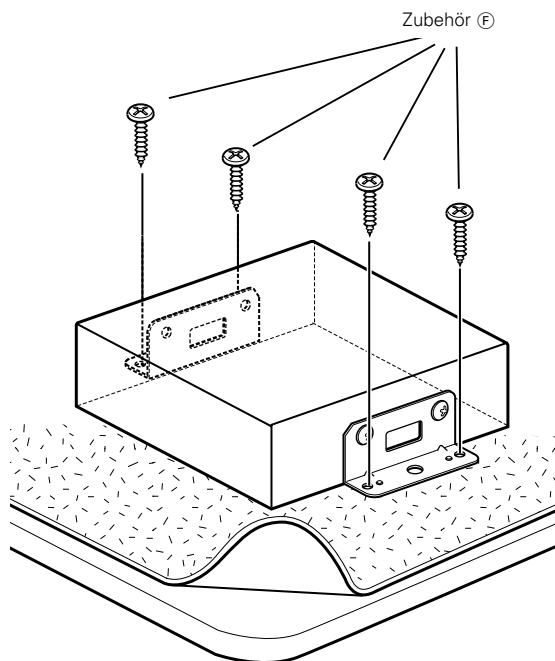
1 Entfernen Sie die Schrauben an beiden Seiten, die sich bereits an der Videobox befinden.



2 Verwenden Sie die in Schritt 1 entfernten Schrauben und schrauben Sie damit (Zubehörteil ⑥) die Befestigungsschellen (Zubehörteil ⑦) an beiden Seiten der Videobox fest.



3 Verwenden Sie die Schrauben (Zubehörteil ⑧), um die Videobox auf einem Audioboard oder ähnlichem zu befestigen.



Fehlersuche

Manchmal funktioniert das Gerät nicht richtig, weil ein einfacher Bedienungsfehler vorliegt. Schauen Sie daher zunächst in die nachfolgende Übersicht, bevor Sie Ihr Gerät zur Reparatur geben. Vielleicht läßt sich der Fehler ganz leicht beheben.

SYMPTOM	MÖGLICHE URSACHE	ABHILFE
Das Gerät läßt sich nicht einschalten.	Die Sicherung ist durchgebrannt.	Überprüfen Sie die Kabel auf Kurzschluß und ersetzen Sie die Sicherung durch eine neue mit gleichen Werten.
	Das Zündschloß verfügt über keine ACC-Stellung.	Verbinden Sie die Leitung für "geschaltetes" Plus mit dem Dauerplus-Kabel.
Es erscheint kein Videobild.	Das Gerät ist nicht am Erkennungsschalter der Handbremse angeschlossen.	Den Anschluß gemäß "Anschluss" richtig durchführen.
	Die Handbremse wurde nicht betätigt.	Aus Sicherheitsgründen erscheinen keine Videobilder während des Fahrens. Wenn die Handbremse betätigt wurde, erscheinen Videobilder.
Der Bildschirm ist dunkel.	Das Gerät befindet sich an einem Ort, an dem die Temperatur niedrig ist.	Fällt die Temperatur des Monitors, ist es möglich, daß der Bildschirm aufgrund der Charakteristiken des Flüssigkristall-Panels dunkler erscheint, wenn er eingeschaltet wird. Nach dem Einschalten warten, damit die Temperatur steigt. Normale Helligkeit kehrt zurück.

Technische Daten

Die technischen Daten können sich ohne besonderen Hinweis ändern.

Monitor-Einheit

Bildformat.....	6.95 Zoll breit 154,1(B) x 86,6(H) x 176,7(Diagonal) mm
Displaysystem	Transparent TN LCD-panel
Antriebssystem	TFT Aktivmatrix-System
Pixel-Anzahl.....	336.960 pixel (480 H x 234 V x RGB)
Effektivpixel.....	99,99%
Pixelanordnung	RGB Streifen-Anordnung
Hintergrundbeleuchtung.....	Kalte Kathodenröhre
Lautsprecherstrom	1 W (40 Ø x 1)

Videobox-Einheit

Farbsystem	NTSC/PAL
Externer Videoausgangspegel (RCA-Buchsen)	1 ± 0,1 Vp-p/ 75 Ω
Externer Audio-Max.-Eingangspegel (RCA-Buchsen)	1 V/ 22 KΩ
Videoausgangspegel (RCA-Buchsen)	1 ± 0,1 Vp-p/ 75 Ω
Audioausgangspegel (RCA-Buchsen)	500 mV/ 1 KΩ
Analog RGB Eingang	0,7 Vp-p/ 75 Ω

Allgemein

Betriebsspannung	14,4 V DC (11 bis 16 V)
Stromverbrauch	14 W
Betriebstemperaturbereich	-10°C bis +60°C
Lagertemperaturbereich.....	-30°C bis +80°C
Abmessungen	
(Monitor-Einheit).....	189(B) x 131(H) x 37(D) mm
(Videobox-Einheit)	167(B) x 38(H) x 152(D) mm
Gewicht	
(Monitor-Einheit)	580 g
(Videobox-Einheit)	620 g

Auch wenn die Effektivpixel für das Flüssigkristall-Panel mit 99,99 % oder mehr angegeben sind, ist es möglich, daß 0,01 % der Pixel nicht aufleuchten oder fehlerhaft leuchten.

Free Manuals Download Website

<http://myh66.com>

<http://usermanuals.us>

<http://www.somanuals.com>

<http://www.4manuals.cc>

<http://www.manual-lib.com>

<http://www.404manual.com>

<http://www.luxmanual.com>

<http://aubethermostatmanual.com>

Golf course search by state

<http://golfingnear.com>

Email search by domain

<http://emailbydomain.com>

Auto manuals search

<http://auto.somanuals.com>

TV manuals search

<http://tv.somanuals.com>