

# KENWOOD

## KPA-SD100

---

CONTROL ADAPTER ▶page 2-7

### INSTRUCTION MANUAL

ADAPTEUR DE COMMANDE ▶Page 8-13

### MODE D'EMPLOI

STEUERUNGS ADAPTER ▶Page 14-19

### BEDIENUNGSANLEITUNG

BESTURINGS ADAPTER ▶Page 20-25

### GEBRUIKSAANWIJZING

ADATTATORE DEI COMANDI ▶Page 26-31

### ISTRUZIONI PER L'USO

ADAPTADOR DE CONTROL ▶Page 32-37

### MANUAL DE INSTRUCCIONES

ADAPTADOR DE CONTROL ▶Page 38-43

### MANUAL DE INSTRUÇÕES

KENWOOD CORPORATION



LA DICHIARAZIONE DI CONFORMITA' "CE"  
DI QUESTO PRODOTTO E' DEPOSITATA  
PRESSO:

KENWOOD ELECTRONICS EUROPE B.V.  
AMSTERDAMSEWEG 37  
1422 AC UITHOORN  
THE NETHERLANDS

©PRINTED IN JAPAN B64-1747-20 (E) (DT)

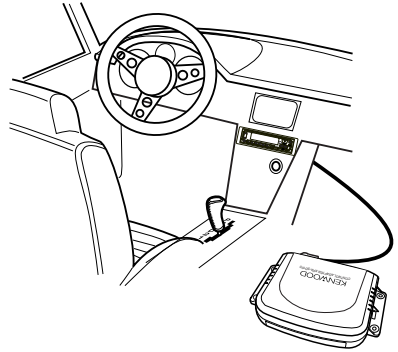
# Applicable Models (Centre Units)

This product operates when connected to a model compatible with the Centre Unit. For information on models compatible with the Centre Unit, see the attached table of compatible models.

## About this product

When connected to your vehicle, this product will display information from the KENWOOD centre unit, on the display screen installed in your vehicle. It also enables the centre unit to be operated from the remote controller on the steering-wheel.

\*:Please confirm with Kenwood dealer whether this product can accommodate to your OPEL car.



### ■ The kind of information that can be displayed on the display screen (typical display appearing on 14-segment display screen)

The following information can be displayed on the in-car display screen.

	Mode *1	Vehicle's Display		Mode *1	Vehicle's Display		Mode *1	Vehicle's Display
<b>TUNER</b>	Source	<b>TUNER</b>	<b>CD,MD</b>	Source	<b>CD</b>	<b>TAPE</b>	Source	<b>TAPE</b>
	Frequency	<b>100,05</b>		Time Code	<b>02 0'01</b>		Side	<b>A 30'00</b>
	Program Service	<b>SKYRADIO</b>					DPSS	<b>+1 30'00</b>
<b>TUNER interrupt</b>	TI interrupt	<b>TRAFFIC</b>	<b>DISC CHANGER</b>	Source	<b>DISC</b>	<b>DAB</b>	Source	<b>DAB</b>
	NEWS interrupt	<b>NEWS</b>		Time Code	<b>02 0'01</b>		Service Label	<b>ABCDEFGH</b>
	ALARM interrupt	<b>ALARM</b>						

\*1:KENWOOD centre unit

#### NOTE

- The information appearing on the display screen will vary when receiving MW / LW broadcasts, depending on the centre unit model you are using.
- 14-segment display shows lower case characters and accented European language characters in upper case; the 5 x 7 dot matrix display does not show accented European language characters.
- The information shown on the display screen will vary depending on whether you are using the 14-segment display screen or the 5 x 7 dot matrix display screen.

# Operation

## ■ Vehicle's display setup

1. Select "EXT.ACC.CONT/ACC.CONT/EXT.ACC Control" from the Centre Unit menu items.

### NOTE

This does not work during reception of MW / LW broadcasts(if the centre unit displays the sensors, it is displayed as "- - -").

2. Hold down the ◀◀ or ▶▶ button for more than two seconds. Centre Unit enters display-switching mode.
3. The display changes as follows when you press the ◀◀ button or ▶▶ button.

### Display switching:

≡ Sensor\*/Compass\*3 ≡ Music Source ≡

### NOTE

- \*: Sensor display appears when the Sensor Box (KPA-SS100) is connected.
- \*: Compass display appears when the Compass Unit (KPA-CP100) is connected.
- In Music Source display, the number of items switched, such as source display and track display, varies with the source currently being played.
- The time reading on the vehicle's display and time reading on the centre unit display are not synchronized.

## ■ Compass setup (When the KPA-CP100 is connected)

By combining this unit with the KPA-CP100 (sold separately), the compass display can be shown on the display screen.

1. Select "Sensor CONT/SENS.CONT/Sensor Control" from the Centre Unit menu items.

### NOTE

This does not work during reception of MW / LW broadcasts .

2. Hold down the ◀◀ or ▶▶ button for more than two seconds.

The Centre Unit enters Compass setup mode.

3. Press the FM or AM button.

Each pressing toggles setup mode as follows:

≡ Direction step switching ≡ Compass direction compensation ≡ Target direction setup ≡

### NOTE

During the Compass setup procedure, the message "SENS.CNT" will be displayed on the vehicle's display screen.

4. At the item you want to set up, press the ◀◀ or ▶▶ button.

Each item allows you to set the following:

### Direction step switching:

Toggle direction display modes.

≡ North direction (8 directions) mode ≡ North direction (16 directions) mode ≡

Target direction (8 directions) mode ≡ Target direction (16 directions) mode ≡

### North direction mode

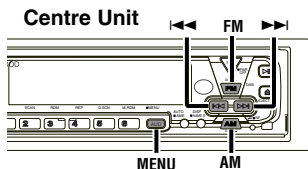
The vehicle's direction of travel will be displayed with letters as one of the 8 or 16 compass directions.

### Target direction mode

In Target direction mode, you can set the desired target direction, and any deviation from this direction will then be displayed on the display . (See "Target directions setup" for instructions on setting the target direction.)

### NOTE

If it is displayed as "RIGHT 90.0/ R 90.0", the 90-degree direction on the right is the direction of the destination.



Display in adjustment mode

	Vehicle's display	8-digit display example(Centre Unit)	16-digit display example(Centre Unit)
North directions (8 directions)	SENS.CNT	N. DIR 8	NORTH. DIR 8
North directions (16 directions)	SENS.CNT	N. DIR 16	NORTH. DIR 16
Target directions (8 directions)	SENS.CNT	T. DIR 8	TARGET. DIR 8
Target directions (16 directions)	SENS.CNT	T. DIR 16	TARGET. DIR 16

Compass display example

	8-digit display and vehicle's display example	16-digit display example
North direction display (8 directions)	DIR W DIR SW	DIRECTION W DIRECTION SW
North direction display (16 directions)	DIR N DIR NNE	DIRECTION N DIRECTION NNE
Target direction display (8 directions)	F 0.0 R 90.0	FORWARD 0.0 RIGHT 90.0
Target direction display (16 directions)	B 180.0 L 112.5	BACK 180.0 LEFT 112.5

### Compass direction compensation:

1. Correct earth magnetism to allow the compass to operate normally.

The Centre Unit displays "COMPASS.ADJUST/COMP.ADJ" and enters the earth magnetism direction setup verification mode.

2. Press the ◀◀ or ▶▶ button. Automatic compensation starts. Upon entering automatic compensation, turn the vehicle 360 degrees.

The compensation time lasts less than two minutes. (Compensation may not be achievable if the vehicle does not finish turning 360 degrees within two minutes.)

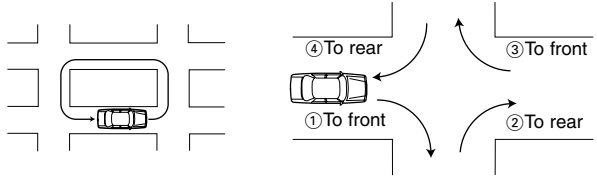
If compensation is completed, the Centre Unit displays "OK".

#### NOTE

- If compensation fails, the Centre Unit displays "NG".(If the correction results in "NG", previous correction values remain as they are.)
- In Adjusting, if you press the ◀◀ button or the ▶▶ button, this will forcibly render the status NG, and you will only be able to change the Direction Compensation setting.

#### NOTE

- When compensating earth magnetism, be sure to operate the switch while stopped.
- When compensating earth magnetism, set the steering angle at start and end to 0 (straight) degree.
- If there is no location to revolve 360 degrees, follow the procedure shown in the following diagram. However, never make u-turns in heavy traffic or at intersections since they are dangerous.



3. About direction compensation

North on the map may not be exactly the same as magnetic pole north in some areas. To compensate for this discrepancy, find the current region on the map in Figure 1(See back cover), then set the value entered in for this region.

<Direction compensation>

Press the ◀◀ or ▶▶ button to perform  $\pm 20$ -degree direction compensation.

-20  $\rightleftharpoons$  -15  $\rightleftharpoons$  -10  $\rightleftharpoons$  -5  $\rightleftharpoons$  0  $\rightleftharpoons$  +5  $\rightleftharpoons$  +10  $\rightleftharpoons$  +15  $\rightleftharpoons$  +20

#### NOTE

The factory default is 0.

### Target directions setup:

When you select the target direction by switching direction steps, specify the target direction.

Target direction can be specified from 8 or 16 directions.

$\rightleftharpoons$  TGT/TARGET N  $\rightleftharpoons$  TGT/TARGET NNW  $\rightleftharpoons$  TGT/TARGET NW  $\rightleftharpoons$  TGT/TARGET WNW  $\rightleftharpoons$  TGT/TARGET W  $\rightleftharpoons$  TGT/TARGET WSW  $\rightleftharpoons$  TGT/TARGET SW  $\rightleftharpoons$  TGT/TARGET SSW  $\rightleftharpoons$  TGT/TARGET S  $\rightleftharpoons$  TGT/TARGET SSE  $\rightleftharpoons$  TGT/TARGET SE  $\rightleftharpoons$  TGT/TARGET ESE  $\rightleftharpoons$  TGT/TARGET E  $\rightleftharpoons$  TGT/TARGET ENE  $\rightleftharpoons$  TGT/TARGET NE  $\rightleftharpoons$  TGT/TARGET NNE  $\rightleftharpoons$

# Installation

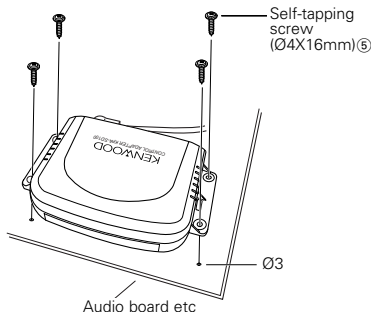
## ■ Accessories

- ① Remote control light emitter (cable length:2.5m) ...1
- ② Connection cable(ISO AB :0.1m).....1
- ③ Connection cable(ISO C :2m) .....1
- ④ Connection cable (2m).....1
- ⑤ Self-tapping screw (Ø4 X16mm) .....4
- ⑥ Adhesive double coated tape.....1

## ■ Installing the Control Unit

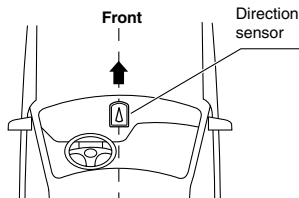
### ▲CAUTION

- When drilling a hole below a seat or inside the trunk, check if there is the gas tank, brake pipe, or wire harness behind the hole in advance. If so, be careful not to damage them in any way.
- Do not install the Control Unit on the dashboard, on the rear tray, or near any safety component such as an air bag.
- When installing the Control Unit on your vehicle, fasten it firmly to a part where it does not disturb your smooth driving. Otherwise, if the Control Unit comes off when excessively shocked, it may hit the driver or passenger or a safety component, resulting in an injury or accident.
- When you have finished installing the Control Unit, make sure that electrical parts such as the brake lights, turn signals, and windshield wipers work normally.



## ■ Installing the KPA-CP100 (Option)

1. Select the installation position slanting forward, backward, to the left, or to the right at angle within 5 degrees, such as on the dashboard.
2. Use the supplied adhesive double coated tape to fasten the direction sensor firmly enough to remain fixed during driving, with the up arrow facing right toward the front of the vehicle.



### ▲CAUTION

- The direction may not be displayed correctly at the following locations where magnetism is considerably disturbed. It is not an error or failure.  
(Under a land bridge or railway bridge, on a railroad crossing, under high-voltage power cables, near a broadcasting station, power station, or substation, etc.)
- The direction may change as the windshield wiper swings. In this case, move the direction finder to a position where it is free of the effect.
- When fastening the direction finder using the adhesive double coated tape, wipe dust, stains, oils, and water off the mounting surface in advance, then stick it securely not to let it come off during driving.
- Since the direction finder uses terrestrial magnetism, it fails to display the correct direction unless it is installed at a level place without a magnet or magnetic object around.
- Do not place the following objects near the installation position.  
(Magnet, TV, radio antenna, speaker, metal, can, etc.)

## ■ Connecting Units

### ▲CAUTION

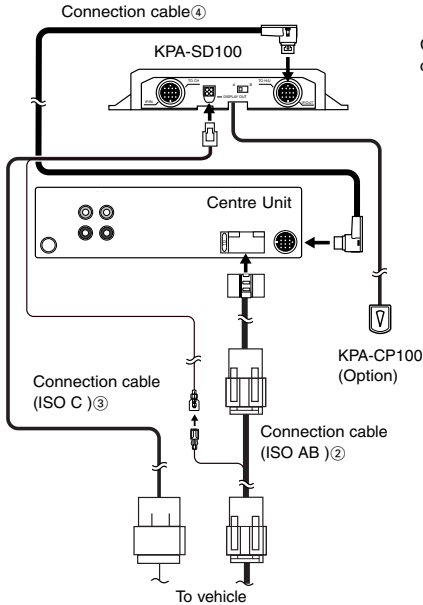
**Follow the precautions below before and when connecting units.**

- Make sure first that the ignition switch does not have the key inserted. Then, be sure to disconnect the ⊖ terminal of the battery to prevent a short-circuit from happening before connecting units.
- Plug each connector fully into the mating socket.
- Connect the connection cable to the Centre Unit.
- Up to three units can be connected to the centre unit. (This, however, does not include the KCA-S210A if it is connected to the unit.)
- When connecting multiple units (such as the Stack CD Changer and KPA-SS100, 1998 model DAB), connect the KPA-SD100 directly to the Centre Unit.
- The two units, KPA-SD100 and KPA-HD100, cannot be connected together.
- The total length of the cable between the units should not be more than 13m.
- To add the KPA-CP100 to the system having both of the KPA-SD100 and KPA-SS100 installed, connect the KPA-CP100 to the KPA-SS100.
- When you have finished connecting all the units, reset the Centre Unit once.

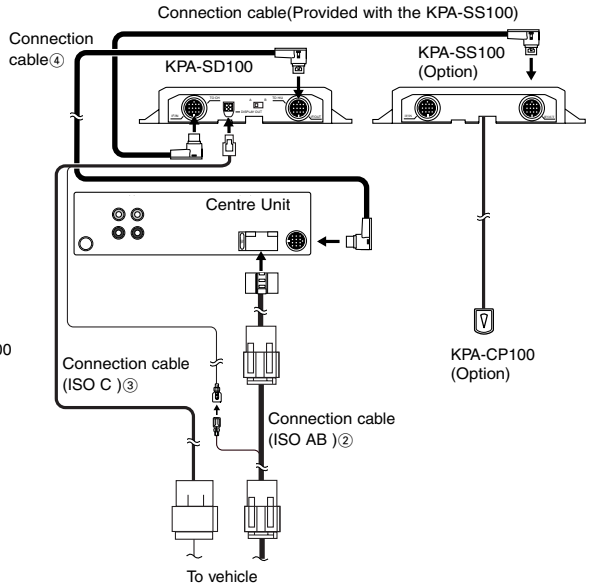


## Connection of centre unit to vehicle

### Connecting the KPA-SD100 only

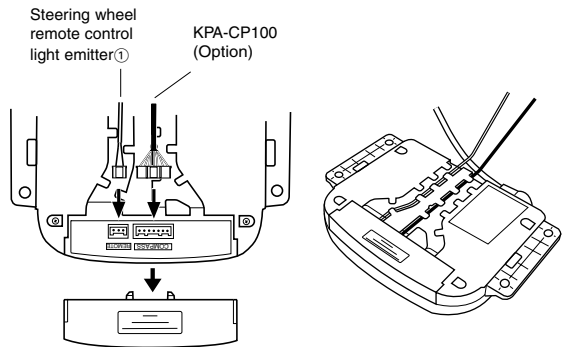


### Connecting the KPA-SD100 and the KPA-SS100



### Connections for remote control light emitter, etc.

1. Remove the connector cover.
2. Connect each connector.
3. When you have finished connecting the required connectors, put the cover back in place.

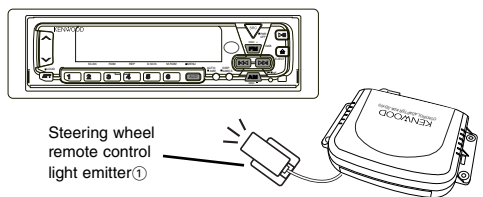


### Installing the remote control light emitter

The purpose of the remote control light emitter is to transmit the signal from the steering remote control to the centre unit. Please install it in a position where the centre unit can detect the signal.

#### ⚠ CAUTION

Please install the remote control light emitter in such a way that the cable does not rub against the fitting, as this could damage the cable.



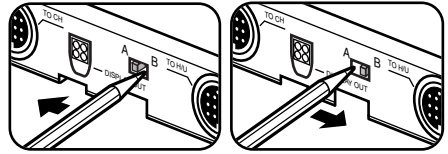
### Display selector switch on Opel type display

- Set to A in the case of 5 x 7 dot matrix display.
- Set to B in the case of 14-segment display.

The factory setting is "A".

#### ▲CAUTION

If you set the switch wrongly, quotation marks will appear between the minutes and the seconds if your in-car display unit is a 5 x 7 dot-matrix display; or, if your in-car display unit is a 14-segment display, nothing will appear between the minutes and the seconds. If this happens, check the switch setting.



### Concerning the display when KPA - SS100 is connected.

For the 14 segment type Opel Display, the decimal point is not displayed for the voltage and the angle.

## Steering wheel remote control table

Connect this product, and the centre unit operations corresponding with the Opel steering wheel remote control operations are as follows.

Source Button	TUNER Mode	TAPE Mode	CD,MD Mode	DISC CHANGER Mode
○	Source Switch	Source Switch	Source Switch	Source Switch
+	Increasing Volume	Increasing Volume	Increasing Volume	Increasing Volume
-	Decreasing Volume	Decreasing Volume	Decreasing Volume	Decreasing Volume
▽	Tune-Up ■:FM Switch	Fast Forward DPSS ■:Fast Forwarding	Track-Up	Track-Up ■:Disc-Up
△	Tune-Down ■:AM Switch	Rewind DPSS ■:Rewinding	Track-Down	Track-Down ■:Disc-Down
→	Attenuator ■:PTY Switch Mode	Attenuator ■:Program	Attenuator ■:Play/Pause	Attenuator ■:Play/Pause
Source Button	DAB Mode	AUX Mode	ALL OFF	
○	Source Switch	Source Switch	Source Switch	
+	Increasing Volume	Increasing Volume	_____	
-	Decreasing Volume	Decreasing Volume	_____	
▽	Service Switch ■:Band Switch	_____	_____	
△	Service Switch ■:P/S Switch	_____	_____	
→	Attenuator ■:PTY Switch Mode	Attenuator	_____	

■:Operation when button has been pressed for 2 seconds or more

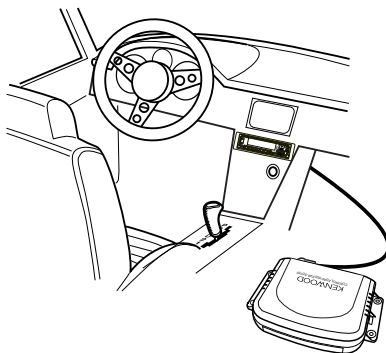
## Modèles utilisables (Unités centrales)

Ce produit fonctionne lorsqu'il est connecté à un modèle compatible à l'unité centrale. Pour plus d'informations sur les modèles compatibles à l'unité centrale, voyez le tableau de modèles compatibles joint.

## Au sujet de cet appareil

Lorsqu'il est connecté à votre véhicule, cet appareil affiche les informations de l'unité centrale KENWOOD sur l'écran d'affichage installé dans votre véhicule. Cela permet aussi à l'appareil central d'être actionné à partir de la télécommande de la roue directrice.

\*:Veuillez consulter votre revendeur Kenwood si cet appareil peut être utilisé dans votre voiture OPEL.



### ■ La sorte d'informations pouvant être affichée à l'écran d'affichage (l'affichage type apparaissant sur l'écran à 14 segments)

Les informations suivantes peuvent être affichées à l'écran installé dans le véhicule.

	Mode *1	Affichage du véhicule		Mode *1	Affichage du véhicule		Mode *1	Affichage du véhicule
<b>TUNER</b>	Source Fréquence Service du Programme	<b>TUNER</b> <b>100,05</b> <b>SKYRADIO</b>	<b>CD,MD</b>	Source Code de Temps	<b>CD</b> <b>02 0'01</b>	<b>TAPE</b>	Source Côté DPSS	<b>TAPE</b> <b>A 30'00</b> <b>+1 30'00</b>
<b>TUNER interrupt</b>	Interruption de fréquence TI Interruption de NEWS Interruption de ALARM	<b>TRAFFIC</b> <b>NEWS</b> <b>ALARM</b>	<b>DISQUE CHANGEUR</b>	Source Code de Temps	<b>DISC</b> <b>02 0'01</b>	<b>DAB</b>	Source Etiquette de Service	<b>DAB</b> <b>ABCDEFGH</b>

\*1:l'unité centrale KENWOOD

#### REMARQUE

- Les informations apparaissant à l'écran d'affichage peuvent varier lors de la réception d'émission MW / LW suivant le modèle d'unité centrale utilisée.
- L'affichage à 14 segments montre des caractères en minuscule et des caractères de langue Européenne accentuée en majuscule;L'affichage de la matrice à points 5 x 7 ne montre pas de caractères de langue Européenne accentuée.
- Les informations indiquées à l'écran peuvent être différentes suivant que vous utilisez l'écran à 14 segments ou matriciel à points de 5 x 7.



# Opération

## ■ Réglage de l'affichage du véhicule

1. Sélectionnez "EXT.ACC.CONT/ACC.CONT/EXT.ACC Control" à partir des éléments du menu de l'unité centrale.

### REMARQUE

Ceci ne fonctionne pas pendant la réception des diffusions MW / LW (si l'unité centrale affiche les capteurs, il est affiché pendant que "- - -").

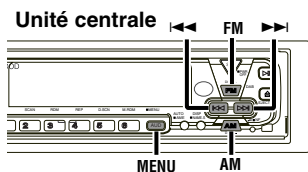
2. Maintenez la touche ◀◀ ou ▶▶ enfoncée pendant plus de deux secondes.  
L'Appareil Central entre en mode de commutateur-affichage.
3. L'affichage change comme suit quand vous appuyez sur la touche ◀◀ ou sur la touche ▶▶.

### Commutation de l'affichage:

↔ Capteur<sup>\*2</sup>/Compas<sup>\*3</sup> ↔ Source musicale ↔

### REMARQUE

- \*2: L'affichage du détecteur apparaît lorsque la boîte de capteur (KPA-SS100) est connectée.
- \*3: L'affichage Compass apparaît lorsque l'unité Compas (KPA-CP100) est connectée.
- En affichage de source musicale, le nombre d'éléments commutés, tels que les affichages de source et de plage varient avec la source en cours de lecture.
- Le temps de lecture sur l'affichage du véhicule et le temps de lecture sur l'affichage de l'appareil central ne sont pas synchronisés.



## ■ Réglage du compas (Lorsque le KPA-CP100 est connecté)

En combinant cet appareil avec le KPA-CP100 (vendu séparément), l'affichage boussole peut être affiché à l'écran.

1. Sélectionnez "Sensor CONT/SENS.CONT/Sensor Control" à partir des éléments du menu de l'unité centrale.

### REMARQUE

Ceci ne fonctionne pas pendant la réception des diffusions MW / LW.

2. Maintenez la touche ◀◀ ou ▶▶ enfoncée pendant plus de deux secondes.  
L'unité centrale entre en mode de configuration du compas.
3. Appuyez sur la touche FM ou AM.  
Chaque fois que la touche est enfoncée, le mode de configuration commute comme suit:  
↔ Commutation d'étape de direction ↔  
↔ Compensation de direction de compas ↔  
↔ Configuration de la direction cible ↔

### Affichage en mode de réglage

	Affichage du véhicule	Exemple d'affichage à 8 chiffres (Unité centrale)	Exemple d'affichage à 16 chiffres (Unité centrale)
Directions nord (8 directions)	SENS.CNT	N. DIR 8	NORTH. DIR 8
Directions nord (16 directions)	SENS.CNT	N. DIR 16	NORTH. DIR 16
Directions cibles (8 directions)	SENS.CNT	T. DIR 8	TARGET. DIR 8
Directions cibles (16 directions)	SENS.CNT	T. DIR 16	TARGET. DIR 16

### REMARQUE

Pendant la procédure de configuration de la boussole, le message "SENS.CNT" sera affiché sur l'écran du véhicule.

4. Lorsque l'élément à configurer apparaît, appuyez sur la touche ◀◀ ou ▶▶.  
Chaque élément vous permet de régler les fonctions suivantes:

### Commutation à l'étape de direction:

Modes d'affichage de direction de commutation.

↔ Mode de direction nord (8 directions) ↔ Mode de direction nord (16 directions) ↔ Mode de direction cible (8 directions) ↔ Mode de direction cible (16 directions) ↔

### Exemple d'affichage de compas

	Affichage à 8 chiffres et affichage du Véhicule	Exemple d'affichage à 16 chiffres
Affichage de direction nord (8 directions)	DIR W DIR SW	DIRECTION W DIRECTION SW
Affichage de direction nord (16 directions)	DIR N DIR NNE	DIRECTION N DIRECTION NNE
Affichage de direction nord (16 directions)	F 0.0 R 90.0	FORWARD 0.0 RIGHT 90.0
Affichage de direction cible (16 directions)	B 180.0 L 112.5	BACK 180.0 LEFT 112.5

## Mode de direction nord

Le sens de déplacement du véhicule sera affiché en lettres comme l'une des 8 ou 16 directions de la boussole.

## Mode de direction cible

Dans le programme direction vers l'objectif, vous pouvez choisir l'itinéraire de l'objectif que vous désirez, et toutes les trajectoires pour cet objectif seront affichées sur l'affichage.

(Voir 'Programme direction objectif' pour les explications de la mise en marche de direction objectif.)

### REMARQUE

Si elle est affichée en tant que " RIGHT 90.0/ R 90.0 ", la direction de 90 degrés du côté droit est la direction de la destination.

## Compensation de direction de compas:

1. Corrigez le magnétisme terrestre afin de permettre le fonctionnement normal du compas. L'unité centrale affiche "COMPASS.ADJUST/COMP.ADJ" et entre en mode de vérification de configuration de direction de magnétisme terrestre.
2. Appuyez sur la touche **◀◀** ou **▶▶**. Le graphique du compas est activé et fait démarrer la compensation automatique. En entrant en mode de compensation automatique, tournez le véhicule de 360 degrés.

La durée de compensation est inférieure à deux minutes. (La compensation risque de ne pas être atteinte si le véhicule n'a pas fini de tourner de 360 degrés dans les deux minutes.)

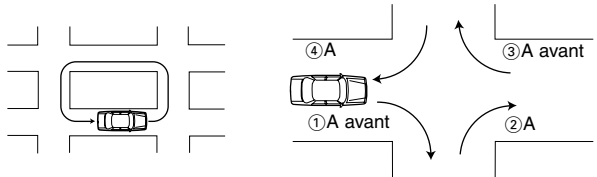
Si la compensation est terminée, l'unité centrale affiche "OK".

### REMARQUE

- Si la compensation a échoué, l'unité centrale affiche "NG". (Si la valeur de correction est "NG", les valeurs de correction précédentes sont conservées.)
- Lors de l'ajustement, si vous appuyez sur la touche **◀◀** ou sur la touche **▶▶**, cela rendra de force le statut NG, et vous serez seulement capable de changer le réglage de Direction Compensation.

### REMARQUE

- Lors de la compensation du magnétisme terrestre, assurez-vous que le véhicule soit arrêté avant d'enfoncer le commutateur.
- Lors de la compensation du magnétisme de terre, réglez l'angle de direction au démarrage et à l'arrêt à 0 (droit) degré.
- S'il n'y a pas d'endroit pour tourner de 360 degrés, suivez la procédure indiquée sur le schéma suivant. Toutefois, ne faites jamais des tournants lorsque la circulation est dense ou aux intersections, puisque c'est dangereux.



## 3. A propos de la compensation de direction

En rapport avec la région, il peut y avoir un décalage entre le nord sur la carte, et le nord magnétique. Pour compenser ce décalage, trouver la région courante sur la carte à la Figure.1 (Voir couverture arrière), puis réglez la valeur entrée pour cette région.

<Compensation de direction>

Appuyez sur la touche **◀◀** ou **▶▶** pour effectuer une compensation de direction de  $\pm 20$ -degrés.

-20  $\rightleftharpoons$  -15  $\rightleftharpoons$  -10  $\rightleftharpoons$  -5  $\rightleftharpoons$  0  $\rightleftharpoons$  +5  $\rightleftharpoons$  +10  $\rightleftharpoons$  +15  $\rightleftharpoons$  +20

### REMARQUE

Le réglage d'usine est de 0.

## Configuration des directions cibles:

Lorsque vous sélectionnez la direction cible en commutant les étapes de direction, spécifiez la direction cible. La direction cible peut être spécifiée entre 8 et 16 directions.

$\rightleftharpoons$  TGT/TARGET N  $\rightleftharpoons$  TGT/TARGET NNW  $\rightleftharpoons$  TGT/TARGET NW  $\rightleftharpoons$  TGT/TARGET WNW  $\rightleftharpoons$   
TGT/TARGET W  $\rightleftharpoons$  TGT/TARGET WSW  $\rightleftharpoons$  TGT/TARGET SW  $\rightleftharpoons$  TGT/TARGET SSW  $\rightleftharpoons$   
TGT/TARGET S  $\rightleftharpoons$  TGT/TARGET SSE  $\rightleftharpoons$  TGT/TARGET SE  $\rightleftharpoons$  TGT/TARGET ESE  $\rightleftharpoons$   
TGT/TARGET E  $\rightleftharpoons$  TGT/TARGET ENE  $\rightleftharpoons$  TGT/TARGET NE  $\rightleftharpoons$  TGT/TARGET NNE  $\rightleftharpoons$

# Installation

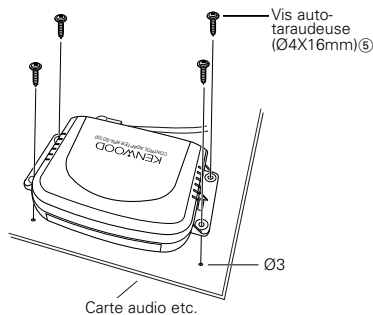
## ■ Accessories

- ① Émetteur de lumière de la télécommande (longueur de cordon: 2.5m) .....1
- ② Câble de connexion (ISO AB :0.1m).....1
- ③ Câble de connexion (ISO C :2m) .....1
- ④ Câble de connexion (2m).....1
- ⑤ Vis auto-taraudeuse (Ø4X16mm) .....4
- ⑥ Ruban adhésif double face.....1

## ■ Installer l'unité de Contrôle

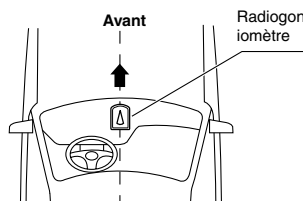
### ▲ATTENTION

- Avant de percer un trou sous le siège ou à l'intérieur du coffre, vérifiez d'abord si le réservoir à essence, le câble de frein, ou le harnais de câbles ne se trouvent pas derrière le trou. Si c'est le cas, faites attention à ne pas les endommager.
- N'installez pas le unité de Contrôle sur le tableau de bord, la plage arrière ou près des dispositifs de sécurité, ex. le coussin d'air.
- Lors de l'installation du unité de Contrôle dans votre véhicule, fixez-le fermement sur une partie où il ne gêne pas la conduite normale. Dans le cas contraire, si le unité de Contrôle se détache après un choc violent, il risque de frapper le conducteur ou un passager ou un dispositif de sécurité, provoquant ainsi des blessures ou un accident.
- Lorsque vous avez terminé l'installation du unité de Contrôle, assurez-vous que les composants électriques, tels que le frein, les clignotants s'allument et que les essuie-glaces du pare-brise fonctionnent normalement.



## ■ Installer le KPA-CP100 (Option)

1. Sélectionnez la position d'installation inclinée en avant, en arrière, vers la gauche ou vers la droite à un angle de 5 degrés comme sur le tableau de bord.
2. Utilisez le ruban adhésif double face fourni pour fixer le radiogoniomètre assez fermement pour rester fixé pendant la conduite, avec la flèche Haut face vers l'avant droite du véhicule.



### ▲ATTENTION

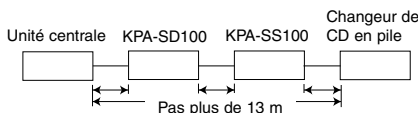
- La direction risque de ne pas être affichée correctement aux endroits suivants où le magnétisme est fortement perturbé. Cela ne signifie pas une erreur ou une panne. (Sous un pont aérien ou un pont de chemin de fer, sur un croisement de chemin de fer, sous des câbles haute tension, près d'une station émettrice, une centrale électrique, ou une sous-station, etc.)
- La direction risque de changer lorsque les essuie-glace du parebrise pivotent. Si cela se produit, déplacez le radiogoniomètre vers une position où il fonctionne librement.
- Lors de la fixation du radiogoniomètre à l'aide d'un ruban adhésif double face, essuyez d'abord la poussière, les taches, des traces d'huile et d'eau de la surface de montage, puis collez-le fermement afin qu'il ne se détache pas pendant la conduite.
- Etant donné que le radiogoniomètre utilise du magnétisme terrestre, il n'affichera pas la direction correcte, sauf s'il est installé à un endroit de niveau sans la présence d'aimant ou d'objet magnétique à proximité.
- Ne placez pas les objets suivants près de la position d'installation. (Aimant, TV, antenne de radio, enceinte, métal, boîte métallique, etc.)

## ■ Connecter les unités

### ▲ATTENTION

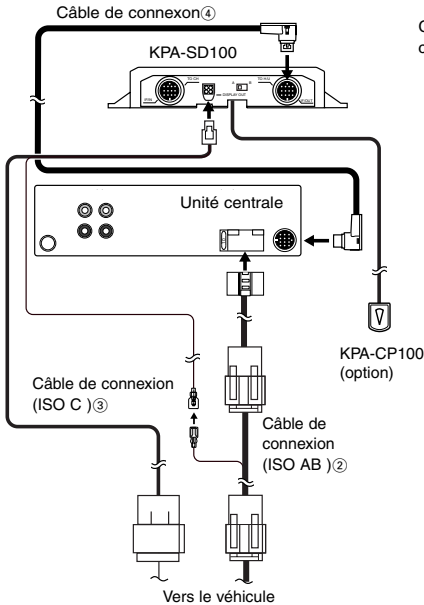
**Suivez les précautions suivantes avant et lors de la connexion des unités.**

- Assurez-vous d'abord que la clé de contact ne soit pas insérée. Ensuite, assurez-vous de débrancher la borne ⊖ de la batterie pour éviter un court-circuit avant de connecter les unités.
- Branchez chaque connecteur à fond dans la prise correspondante.
- Connectez le câble de connexion à l'unité centrale.
- Jusqu'à 3 unités peuvent être reliées à l'unité de centre (cependant, si un KCA-S210A doit être relié, ceci n'est pas compté en tant qu'un des trois).
- Lors de la connexion de plusieurs unités (ex. un changeur de CD en pile et le KPA-SS100, modèle DAB 1998), connectez le KPA-SD100 directement à l'unité centrale.
- Les deux appareils, KPA-SD100 et KPA-HD100, ne peuvent pas être branchés l'un à l'autre
- La longueur totale du câble entre les unités ne doit pas dépasser 13 m.
- Pour ajouter le KPA-CP100 au système équipé du KPA-SD100 et KPA-SS100, connectez le KPA-CP100 au KPA-SS100.
- Lorsque vous avez terminé la connexion de toutes les unités, réinitialisez l'unité centrale une fois.

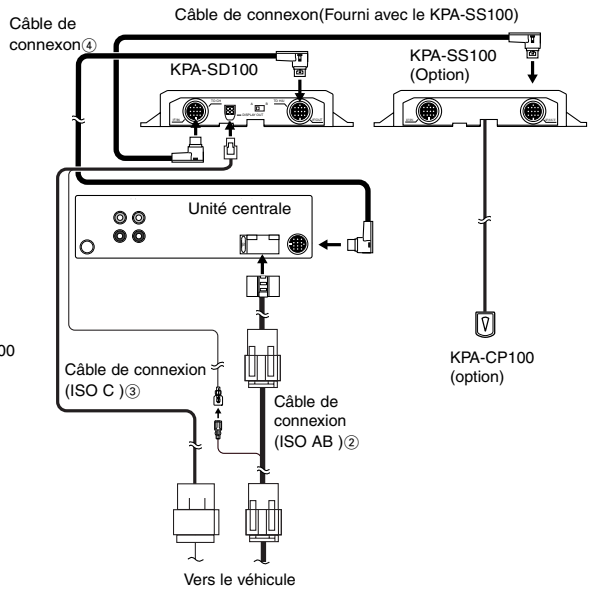


## Connexion de l'appareil central au véhicule

### Connecter le KPA-SD100 uniquement



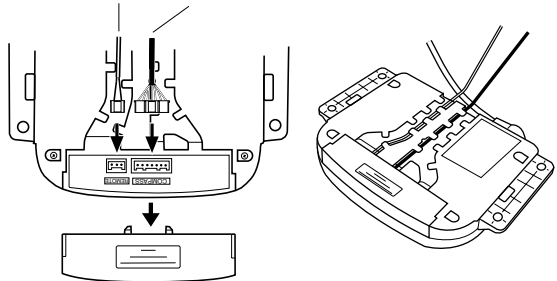
### Connecter le KPA-SD100 et le KPA-SS100



## Connexion pour l'émetteur de lumière de la télécommande, etc.

1. Retirez le capuchon du connecteur.
2. Connectez chaque connecteur.
3. Lorsque vous avez terminé la connexion des connecteurs requis, remettez le capuchon en place.

Emetteur de lumière de la télécommande du volant de direction ① KPA-CP100 (option)

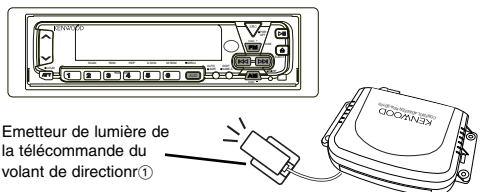


## Installation de l'émetteur de lumière de télécommande

Le but de l'émetteur de lumière de télécommande est de transmettre le signal de la télécommande de direction à l'unité centrale. Veuillez l'installer à un endroit où l'unité centrale peut détecter le signal.

### ⚠ ATTENTION

Veuillez installer l'émetteur de lumière de la télécommande de manière à ce que le câble ne frotte pas sur la fixation, car cela risquerait d'endommager le câble.



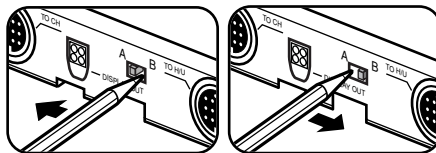
### Afficher l'interrupteur de l'affichage sur l'affichage de type Opel

- Régler à A en cas d'affichage de la matrice à points 5 x 7.
- Régler à B en cas d'un affichage à 14 segments.

Le réglage usine est "A".

#### ATTENTION

Si vous réglez le commutateur incorrectement, des guillemets apparaîtront entre les minutes et les secondes si votre affichage en voiture est une matrice à points 5 x 7, ou, si votre affichage en voiture est un affichage à 14 segments, rien n'apparaîtra entre les minutes et les secondes. Si cela se produit, vérifiez le réglage du commutateur.



### Concernant l'affichage quand KPA-SS100 est connecté.

Pour le modèle à 14 segments affichage Opel, le point décimal n'est pas affiché en caractères pour l'affichage et du voltage et des angles.

## Table de télécommande du volant de direction

Brancher ce produit, et le fonctionnement de l'appareil central correspondant au fonctionnement de la télécommande du volant de direction est comme suit.

Source Touche	Mode de Tuner	Mode Cassette	Mode disque, MD	Mode de changement de disque
○	Interrupteur de Source	Interrupteur de Source	Interrupteur de Source	Interrupteur de Source
+	Augmentation du Volume	Augmentation du Volume	Augmentation du Volume	Augmentation du Volume
-	Réduction du Volume	Réduction du Volume	Réduction du Volume	Réduction du Volume
▽	Syntonisation croissante ■:Interrupteur MF	Avance rapide DPSS ■:Avance rapide	Recherche croissante	Recherche croissante ■:Disque croissante
△	Syntonisation décroissante ■:Interrupteur MA	Rebobinage DPSS ■:Rebobinage	Recherche décroissante	Recherche décroissante ■:Disque décroissante
→	Atténuateur ■:Mode d'Interrupteur PTY	Atténuateur ■:Programme	Atténuateur ■:Lecture/Pause	Atténuateur ■:Lecture/Pause
Source Touche	Mode DAB	Mode aux	Mode hors circuit	
○	Interrupteur de Source	Interrupteur de Source	Interrupteur de Source	
+	Réduction du Volume	Réduction du Volume	_____	
-	Volume Plus Bas	Volume Plus Bas	_____	
▽	Interrupteur de Service ■:Interrupteur de Bande	_____	_____	
△	Interrupteur de Service ■:Interrupteur P/S	_____	_____	
→	Atténuateur ■:Mode d'Interrupteur PTY	Atténuateur	_____	

■ Fonctionnement quand la touche est soutenue pour 2 secondes ou plus

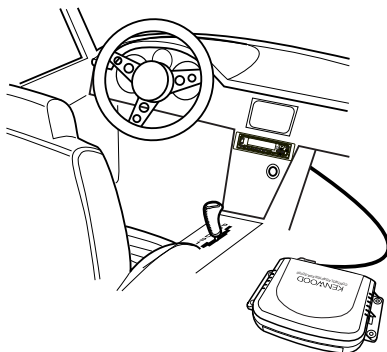
## Verwendbare Modelle (Zentralgeräte)

Dieses Produkt kann betrieben werden, wenn es an ein mit der Zentraleinheit kompatibles Modell angeschlossen ist. Weitere Informationen zu mit der Zentraleinheit kompatiblen Modellen, finden Sie in der beigefügten Liste.

## Wissenswertes über dieses Produkt

Nach dem Anschluss an Ihr Fahrzeug zeigt dieses Produkt auf dem in Ihrem Fahrzeug installierten Bildschirm Informationen vom KENWOOD-Hauptgerät an. Dies ermöglicht ebenfalls die Bedienung der Center-Einheit mit der auf dem Lenkrad befestigten Fernbedienung.

\*:Bitte stellen Sie gemeinsam mit Ihrem Kenwood-Händler sicher, dass dieses Produkt in Ihrem Opel-Auto angewendet werden kann.



### ■ Art der Informationen, die auf dem Bildschirm angezeigt werden können (typische Anzeige auf einem aus 14 Segmenten bestehenden Bildschirm)

Die nachfolgenden Informationen können auf dem im Fahrzeug installierten Bildschirm angezeigt werden.

	Modus*1	Display des Fahrzeug		Modus*1	Display des Fahrzeug		Modus*1	Display des Fahrzeug
TUNER	Quelle	TUNER	CD,MD	Quelle	CD	BAND	Quelle	TAPE
	Frequenz Programm- Service-Display	100,05 SKYRADIO		Zeitcode- Display	02 0'01		Seite DPSS	A 30'00 +1 30'00
TUNER- Unterbre- chung	TI- Unterbrechung	TRAFFIC	DISC WECHSLER	Quelle	DISC	DAB	Quelle	DAB
	NEWS- Unterbrechung	NEWS		Zeitcode- Display	02 0'01		Service- Aufkleber- Display	ABCDEFGH
	ALARM- Unterbrechung	ALARM						

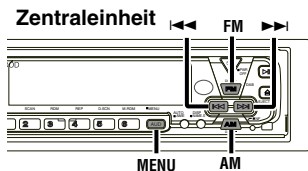
\*1:KENWOOD-Hauptgerät

#### ANMERKUNGEN

- Welche Informationen beim Empfang von AM(MW und LW)-Sendern auf dem Bildschirm angezeigt werden, hängt vom Modell des von Ihnen verwendeten Hauptgerätes ab.
- Das aus 14 Segmenten bestehende Display zeigt Kleinbuchstaben und für europäische Sprachen typische Zeichen als Großbuchstaben an; das 5 x 7 Punktmatrix-Display zeigt keine für die europäischen Sprachen typische Zeichen an.
- Welche Informationen auf dem Bildschirm angezeigt werden hängt davon ab, ob Sie den aus 14 Segmenten bestehenden Bildschirm oder den 5 x 7 Punktmatrix-Bildschirm verwenden.

## ■ Einrichtung dem Displays des Fahrzeuges

1. Wählen Sie aus den Zentraleinheit-Menüpunkten "EXT.ACC.CONT/ACC.CONT/EXT.ACC Control" an.



### ANMERKUNG

Funktioniert nicht während des MW-Senderempfangs(wenn die Zentraleinheit die Sensoren anzeigt, erfolgt die Anzeige als "- - -").

2. Halten Sie die **◀◀** oder **▶▶** Taste länger als zwei Sekunden gedrückt.  
Das Hauptgerät setzt sich in den Display-Umschaltmodus.
3. Das Display ändert sich wie folgt, wenn Sie die **◀◀**-Taste oder **▶▶**-Taste drücken.

### Display-Umschaltung:

↔ Sensor\*/Kompass\*<sup>3</sup> ↔ Musikquelle ↔

### ANMERKUNGEN

- \*: Das Sensor-Display erscheint, wenn die Sensorbox (KPA-SS100) angeschlossen ist.
- \*: Das Kompass-Display erscheint, wenn die Kompasseneinheit (KPA-CP100) angeschlossen ist.
- Im Musikquellen-Display variiert die Zahl der Menüpunkte, die umgeschaltet wird – wie z.B. das Quellen- und Titeldisplay – abhängig von der derzeit wiedergegebenen Quelle.
- Die Zeitanzeige auf dem Display des Fahrzeuges und die Zeitanzeige auf dem Display des Hauptgerätes sind nicht synchronisiert.

## ■ Kompass-Einrichtung (Wenn die KPA-CP100 angeschlossen ist)

Durch Kombination dieses Gerätes mit dem KPA-CP100 (als Zubehör erhältlich), kann das Kompass-Display auf dem Bildschirm angezeigt werden.

1. Wählen Sie aus den Zentraleinheit-Menüpunkten "Sensor CONT/SENS.CONT/Sensor Control" an.

### ANMERKUNG

Funktioniert nicht während des MW-Senderempfangs .

2. Halten Sie die Taste **◀◀** oder **▶▶** länger als zwei Sekunden gedrückt. Die Zentraleinheit setzt sich in den kompass-Einrichtungsmodus.
3. Drücken Sie die FM- oder AM-Taste.

Bei jedem Druck der Taste ändert sich der Einrichtungsmodus wie folgt:

↔ Richtungsschritt-Umschaltung ↔ Kompass-Richtungskompensierung ↔ Ziel-Richtungseinrichtung ↔

### ANMERKUNG

Während der Kompass-Einrichtung wird die Meldung "SENS.CNT" auf dem –Display des Fahrzeuges angezeigt.

4. Drücken Sie an dem Menüpunkt, den Sie einrichten möchten, die Taste **◀◀** oder **▶▶**.  
Jeder Menüpunkt erlaubt Ihnen die folgende Einstellung:

### Richtungsschritt-Umschaltung:

Ändern der Richtungs-Display-Modi.

↔ Modus nördliche Richtung (8 Richtungen) ↔ Modus nördliche Richtung (16 Richtungen) ↔ Ziel-Richtungsmodus (8 Richtungen) ↔ Ziel-Richtungsmodus (16 Richtungen) ↔

### Modus nördliche Richtung

Die Fahrtrichtung des Fahrzeuges wird in Form von Buchstaben als eine der 8 oder 16 Kompass-Richtungen angezeigt.

### Zielrichtungsmodus

Im Zielrichtungsmodus können Sie die gewünschte Zielrichtung einstellen. Jede Abweichung von dieser Richtung wird dann auf dem sich im Fahrzeug befindlichen Display angezeigt. (Einzelheiten bezüglich der Einstellung der Zielrichtung entnehmen Sie bitte dem Kapitel "Zielrichtung-Einrichtung")

### Display im Einstellungsmodus

	Display des Fahrzeug	8-stelliges Display-Beispiel (Zentraleinheit)	16-stelliges Display-Beispiel(Zentraleinheit)
Nördliche Richtungen (8 Richtungen)	SENS.CNT	N. DIR 8	NORTH. DIR 8
Nördliche Richtungen (16 Richtungen)	SENS.CNT	N. DIR 16	NORTH. DIR 16
Zielrichtungen (8 Richtungen)	SENS.CNT	T. DIR 8	TARGET. DIR 8
Zielrichtungen (16 Richtungen)	SENS.CNT	T. DIR 16	TARGET. DIR 16

### Beispiel Kompass-Display

	8-stelliges Display und Display des Fahrzeug-Beispiel	16-stelliges Display-Beispiel
Display nördliche Richtung (8 Richtungen)	DIR W DIR SW	DIRECTION W DIRECTION SW
Display nördliche Richtung (16 Richtungen)	DIR N DIR NNE	DIRECTION N DIRECTION NNE
Zielrichtungsdisplay (8 Richtungen)	F 0.0 R 90.0	FORWARD 0.0 RIGHT 90.0
Zielrichtungsdisplay (16 Richtungen)	B 180.0 L 112.5	BACK 180.0 LEFT 112.5

**ANMERKUNG**

Wenn "RIGHT 90.0/ R 90.0" angezeigt wird, ist die 90-Grad-Richtung rechts die Zielrichtung.

**Kompass-Richtungskompensierung:**

1. Korrigieren Sie die Erdanziehungskraft, um einen ordnungsgemäßen Betrieb des Kompasses zu ermöglichen.

Die Zentraleinheit zeigt "COMPASS.ADJUST/COMP.ADJ" an und setzt sich in den Einrichtungsmodus zur Prüfung der Erdanziehungskraft-Richtung.

2. Drücken Sie die ◀◀ oder ▶▶ Taste. Die automatische Kompensierung beginnt. Drehen Sie das Fahrzeug bis zur automatischen Kompensierung um 360 Grad.

Die Kompensierung dauert weniger als zwei Minuten. (Es ist keine Kompensierung möglich, wenn das Drehen des Fahrzeuges um 360 Grad nicht innerhalb von zwei Minuten beendet ist.)

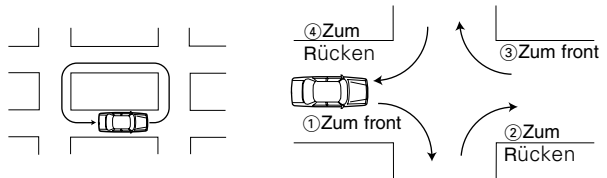
Nach Beendigung der Kompensierung zeigt die Zentraleinheit "OK" an.

**ANMERKUNGEN**

- Wenn die Kompensierung nicht erfolgreich war, zeigt die Zentraleinheit "NG" an. (Wenn die Korrektur zur Anzeige von "NG" führt, bleiben vorherige Korrekturwerte so wie sie waren.)
- Wenn Sie die ◀◀-Taste oder die ▶▶-Taste bei der Einstellung drücken, wird der NG-Status zwangsläufig wieder aktiviert, und Sie werden nur die Richtungskompensation ändern können.

**ANMERKUNGEN**

- Achten Sie bei der Kompensierung der Erdanziehungskraft darauf, dass Sie den Schalter in Stopp-Position bedienen.
- Stellen Sie den Lenkwinkel bei der Kompensierung der Erdanziehungskraft am Anfang und Ende auf 0 (gerade) Grad.
- Wenn kein Ort vorhanden ist, an dem eine 360 Grad-Drehung möglich ist, verfahren Sie wie im nachfolgenden Diagramm beschrieben.



Dennoch, führen Sie niemals U-Drehungen bei starkem Verkehrsaufkommen oder an Abzweigungen aus, da dies äußerst gefährlich ist.

3. Über die Richtungskompensierung

Norden ist auf der Landkarte möglicherweise nicht absolut mit dem magnetischen Pol Nord in einigen Gebieten identisch. Machen Sie die derzeitige Region auf der Landkarte in Abbildung 1 (siehe hinter Abdeckung) ausfindig, um diese Abweichung zu kompensieren und geben Sie dann den Wert für diese Region ein.

<Richtungskompensierung>

Drücken Sie die Taste ◀◀ oder ▶▶, um eine ±20-Grad Richtungskompensierung durchzuführen.

-20 ◡ -15 ◡ -10 ◡ -5 ◡ 0 ◡ +5 ◡ +10 ◡ +15 ◡ +20

**ANMERKUNG**

Die werkseitige Standard-Einstellung ist 0.

**Zielrichtung-Einrichtung:**

Wenn Sie die Zielrichtung durch Umschalten der Richtungsschritte anwählen, müssen Sie die Zielrichtung festlegen. Es stehen 8 oder 16 Richtungen als Zielrichtung zur Auswahl.

- ◡ TGT/TARGET N ◡ TGT/TARGET NNW ◡ TGT/TARGET NW ◡ TGT/TARGET WNW ◡
- TGT/TARGET W ◡ TGT/TARGET WSW ◡ TGT/TARGET SW ◡ TGT/TARGET SSW ◡
- TGT/TARGET S ◡ TGT/TARGET SSE ◡ TGT/TARGET SE ◡ TGT/TARGET ESE ◡
- TGT/TARGET E ◡ TGT/TARGET ENE ◡ TGT/TARGET NE ◡ TGT/TARGET NNE ◡

**Installation**

**Zubehör**

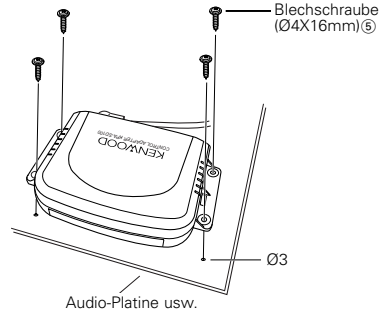
- ① Lichtsender für Lenkrad-Fernbedienung (Kabellänge: 2.5m) ..... 1
- ② Anschlusskabel (ISO AB :0.1m) ..... 1
- ③ Anschlusskabel (ISO C :2m) ..... 1
- ④ Anschlusskabel (2m) ..... 1
- ⑤ Blechschrauben (Ø4X16mm)..... 4
- ⑥ Doppelseitiges Klebeband ..... 1



## ■ Installation des Steuergerätes

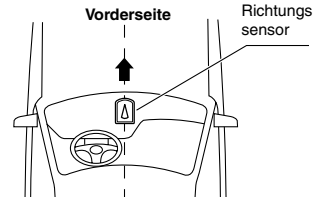
### ▲ ACHTUNG

- Stellen Sie vor dem Bohren eines Loches unter einem der Sitze oder im Kofferraum sicher, dass sich hinter der geplanten Bohrstelle weder der Gastank, die Bremsleitung noch irgendwelche Kabelbäume befinden. Sind diese Teile in der Nähe, achten Sie unbedingt darauf, diese nicht zu beschädigen.
- Installieren Sie das Steuergerät nicht auf dem Armaturenbrett, auf der Hutablage oder in der Nähe von Sicherheitseinrichtungen wie z.B. einem Airbag.
- Befestigen Sie das Steuergerät bei der Installation an Ihrem Fahrzeug fest an einem Teil, an dem Sie beim Fahren nicht behindert werden. Ansonsten könnte das Steuergerät bei extremer Erschütterung herunterfallen und dabei den Fahrer oder einen Mitfahrer bzw. eine Sicherheitskomponente treffen. Dies könnte sowohl Verletzungen zur Folge haben als auch einen Unfall verursachen.
- Stellen Sie nach Beendigung der Installation des Steuergerätes sicher, dass elektrische Teile wie z.B. das Bremslicht, die Blinker und Scheibenwischer ordnungsgemäß funktionieren.



## ■ Installation der KPA-CP100 (Option)

1. Wählen Sie einen Installationsort, der leicht nach vorn, hinten, nach links oder rechts um bis zu 5 Grad abfällt, wie z.B. auf dem Armaturenbrett.
2. Befestigen Sie den Richtungssensor mit Hilfe des mitgelieferten doppelseitigen Klebandes so, dass er auch beim Fahren nicht herunterfällt. Der Pfeil muss dabei in Richtung der Fahrzeugvorderseite zeigen.



### ▲ ACHTUNG

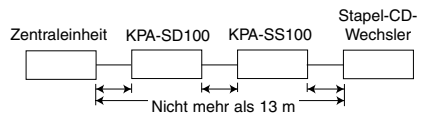
- An den nachfolgend aufgeführten Orten, an denen die Anziehungskraft beträchtlich gestört ist, wird die Richtung möglicherweise nicht richtig angezeigt. Hierbei handelt es sich weder um einen Fehler noch um eine Fehlfunktion. (Unter einer Land- oder Eisenbahnbrücke, an einer Gleiskreuzung, unter Hochspannungskabeln, in der Nähe einer Sendeanstalt, eines Elektrizitätswerkes einer U-Bahn-Station o.ä.)
- Möglicherweise ändert sich die Richtung beim Schwingen der Windschutzscheibe. Bringen Sie den Richtungssucher in einem derartigen Fall an einer Position an, an der er diesem Effekt nicht ausgesetzt ist.
- Beseitigen Sie vor der Befestigung des Richtungssuchers mit doppelseitigem Klebeband sowohl, Staub, Schmutz, Öl als auch Wasser von der Montagefläche und kleben Sie ihn dann so fest, dass er sich während des Fahrens nicht lösen kann.
- Da sich der Richtungssucher die Erdanziehungskraft zu Nutze macht, wird die richtige Richtung erst dann angezeigt, wenn der Sucher an einer ebenen Stelle ohne Magnet oder magnetischen Gegenstand in der Nähe installiert worden ist.
- Die nachfolgend aufgeführten Gegenstände dürfen nicht in der Nähe des Installationsortes positioniert sein. (Magnet, Fernsehröhre, Radioantenne, Lautsprecher, Metall, Filmcassette o.ä.)

## ■ Anschluss von Geräten

### ▲ ACHTUNG

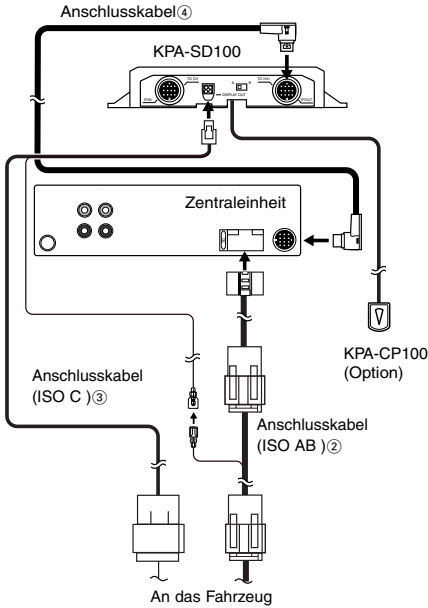
**Befolgen Sie vor und während des Anschlusses von Geräten die nachfolgend aufgeführten Vorsichtsmaßnahmen**

- Stellen Sie zunächst sicher, dass der Zündschlüssel nicht eingesteckt ist. Trennen Sie dann unbedingt den  $\ominus$ -Anschluss der Batterie ab, um vor dem Anschluss von Geräten einen Kurzschluss zu vermeiden.
- Stecken Sie jeden einzelnen Steckverbinder fest in die passende Buchse ein.
- Schließen Sie das Anschlusskabel an der Zentraleinheit an.
- An die Zentraleinheit können bis zu drei Geräte angeschlossen werden. (Dies beinhaltet jedoch nicht das KCA-S210A, falls dies am Gerät angeschlossen ist.)
- Beim Anschluss mehrerer Geräte (wie z.B. den Stapel-CD-Wechsler und die KPA-SS100, 1998 Modell DAB), müssen Sie den KPA-SD100 direkt an die Zentraleinheit anschließen.
- Die beiden Geräte, KPA-SD100 und KPA-HD100, können nicht zusammen angeschlossen werden.
- Die gesamte Kabellänge zwischen den Geräten sollte 13 m nicht übersteigen.
- Um das System mit der KPA-CP100 zu ergänzen, wenn sowohl die KPA-SD100 als auch die KPA-SS100 installiert sind, müssen Sie die KPA-CP100 an die KPA-SS100 anschließen.
- Stellen Sie nach dem Anschluss aller Geräte einmal die Zentraleinheit zurück.

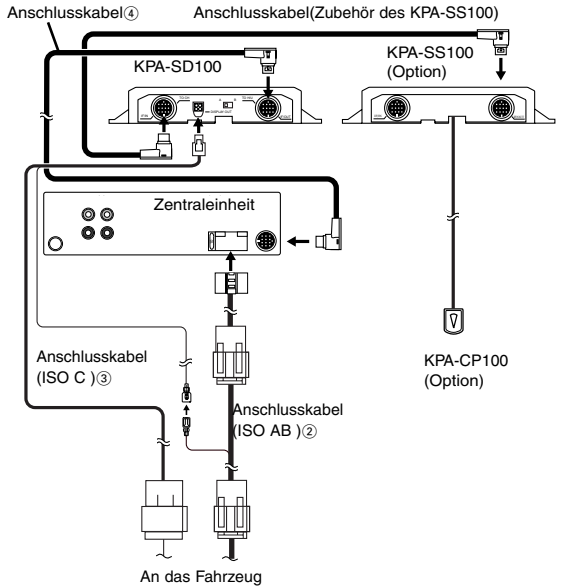


## Anschluss an die Zentraleinheit

Nur der KPA-SD100 wird angeschlossen

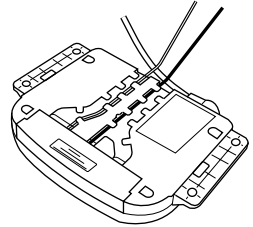
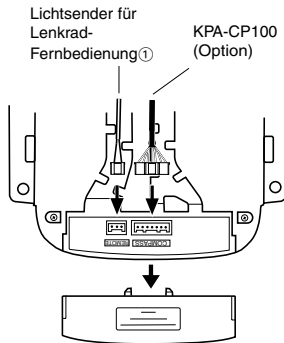


## Anschluss des KPA-SD100 und der KPA-SS100



## Anschlüsse für den Fernbedienungs-Lichtsender usw.

1. Entfernen Sie die Anschluss-Abdeckung.
2. Schließen Sie jeden einzelnen Steckverbinder an.
3. Bringen Sie die Abdeckung zurück in Position, wenn Sie die gewünschten Steckverbinder angeschlossen haben.

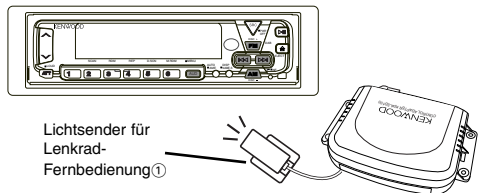


## Installation des Fernbedienungs-Lichtsenders

Zweck des Fernbedienungs-Lichtsenders ist es, das Signal von der Lenkrad-Fernbedienung zum Hauptgerät zu übermitteln. Bitte installieren Sie den Sender in einer Position, in der das Signal für das Hauptgerät auffindbar ist.

### ⚠ ACHTUNG

Bitte installieren Sie den Fernbedienungs-Lichtsender so, dass das Kabel nicht an der Befestigung scheuert, da dies zu einer Beschädigung des Kabels führen könnte.

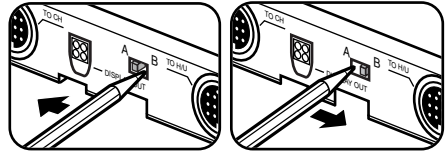


### Display-Wahlschalter am Opel-Display

- Beim 5 x 7 Punktmatrix-Display auf A stellen.
  - Beim aus 14 Segmenten bestehenden Display auf B stellen.
- Die werkseitige Einstellung ist "A".

#### ▲ACHTUNG

Wenn Sie den Schalter fehlerhaft bewegen, erscheinen Anführungszeichen zwischen den Minuten und den Sekunden, falls Ihre Autoinnenanzeige-Einheit eine 5x7-Punkte-Matrix-Anzeige hat; falls Ihre Autoinnenanzeige-Einheit eine 14-Segment-Anzeige hat, wird nichts zwischen den Minuten und Sekunden erscheinen. Sollte dies geschehen, überprüfen Sie die Schalterstellung.



### Bezüglich der Anzeige wenn der KPA – SS100 angeschlossen ist.

Bei der Opel Anzeige mit 14 Feldern wird bei der Voltanzeige und den Winkelanzeigen kein Dezimalkomma angezeigt.

## Liste der erhältlichen Lenkrad-Fernbedienungen

Wenn Sie dieses Produkt angeschlossen haben und das Hauptgerät entsprechend der Opel-Lenkrad-Fernbedienung arbeitet, sind die Betriebe wie folgt:

Quelle Taste	Tuner-Modus	Band-Modus	CD,MD-Modus	CD-Wechsler-Modus
○	Quellen-Schalter	Quellen-Schalter	Quellen-Schalter	Quellen-Schalter
+	Anheben der Lautstärke	Anheben der Lautstärke	Anheben der Lautstärke	Anheben der Lautstärke
-	Senken der Lautstärke	Senken der Lautstärke	Senken der Lautstärke	Senken der Lautstärke
▽	Senderabstimmung auf ■:UKW-Schalter	Musiksuchlauf rückwärts ■:Schnellvorlauf	Titel-auf	Titel-auf ■:Disc-auf
△	Senderabstimmung ab ■:MW-Schalter	Musiksuchlauf vorwärts ■:Rücklauf	Titel-ab	Titel-ab ■:Disc-ab
→	Stummschaltung ■:PTY-Schalter-Modus	Stummschaltung ■:Programm	Stummschaltung ■:Wiedergabe/Pause	Stummschaltung ■:Wiedergabe/Pause
Quelle Taste	DAB-Modus	Aux-Modus	Alles aus-Modus	/
○	Quellen-Schalter	Quellen-Schalter	Quellen-Schalter	
+	Anheben der Lautstärke	Anheben der Lautstärke	_____	
-	Senken der Lautstärke	Senken der Lautstärke	_____	
▽	Service-Schalter ■:Frequenzbereich-Schalter	_____	_____	
△	Service-Schalter ■:P/S-Schalter	_____	_____	
→	Stummschaltung ■:PTY-Schalter-Modus	Stummschaltung	_____	

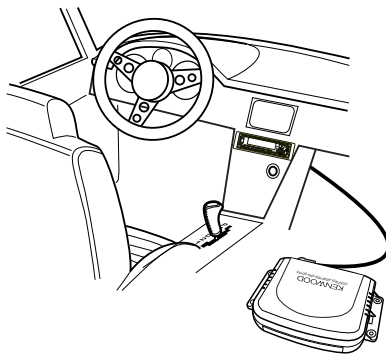
■:Betrieb, wenn die taste 2 Sekunden oder länger gedrückt worden ist

## Bruikbare modellen (centrale eenheden)

Dit product werkt wanneer het wordt aangesloten op een model dat compatibel is met de centrale eenheid. Voor meer informatie over modellen die compatibel zijn met de centrale eenheid, zie de bijgevoegde tabel van compatibele modellen.

## Meer over dit toestel

Wanneer u dit toestel aansluit in uw auto, zal het informatie van de centrale KENWOOD-eenheid weergeven op het in uw auto gemonteerde scherm. Maakt ook de bediening van de centrale eenheid mogelijk via de afstandsbediening op het stuurwiel.  
\*:Gelieve uw Kenwood-handelaar te raadplegen om te weten of dit product geschikt is voor uw OPEL-wagen.



### ■ Informatie die kan worden weergegeven op het scherm (typische weergave op scherm met 14 segmenten)

De volgende informatie kan worden weergegeven op het scherm in de auto.

	Stand*1	Display de Vehicle		Stand*1	Display de Vehicle		Stand*1	Display de Vehicle
<b>TUNER</b>	Bron Frequentie Programma Service	<b>TUNER</b> 100,05 <b>SKYRADIO</b>	<b>CD,MD</b>	Bron Tijdcode Display	<b>CD</b> 02 0'01	<b>CASSETTE</b>	Bron Kant DPSS	<b>TAPE</b> A 30'00 +1 30'00
<b>TUNER interrumpen</b>	Ti- onderbreking NEWS- onderbreking ALARM- onderbreking	<b>TRAFFIC</b> <b>NEWS</b> <b>ALARM</b>	<b>DISC- WISSELAAR</b>	Bron Tijdcode	<b>DISC</b> 02 0'01	<b>DAB</b>	Bron Servicelabel	<b>DAB</b> ABCDEFGHIH

\*1:Centrale KENWOOD-eenheid

#### OPMERKING

- De informatie die op het scherm verschijnt varieert bij ontvangst van MW / LW-uitzendingen, afhankelijk van het model van centrale eenheid dat u gebruikt.
- Het display van 14 tekens toont kleine letters en geeft letters met accenten van Europese talen weer als hoofdletters; het 5 x 7 puntenmatrix-display toont geen letters met accenten van Europese talen.
- De op het scherm weergegeven informatie varieert afhankelijk van het feit of u het scherm met 14 segmenten, dan wel het 5 x 7 puntenmatrixscherm gebruikt.

# Bediening

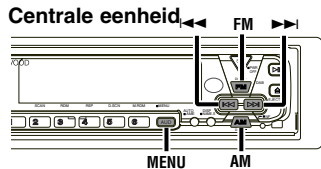
## ■ Instelling van display de vehicle

1. Kies "EXT.ACC.CONT/ACC.CONT/EXT.ACC Control" in het menu van de centrale eenheid.

### OPMERKING

Dit is niet mogelijk tijdens de ontvangst van een MW / LW-uitzending (als de centrale eenheid de sensors toont, worden ze aangeduid als "----").

2. Druk de toets ◀◀ of ▶▶ gedurende meer dan twee seconden in. De centrale eenheid schakelt de stand voor display-omschakeling in.
3. Het display verandert als volgt wanneer u op de toets ◀◀ of ▶▶ drukt.



### Verandering van het display:

◡ Sensor\*/Kompas\*<sup>3</sup> ◡ Muziekbron ◡

### OPMERKING

- \*<sup>2</sup>: Het sensordisplay verschijnt wanneer de Sensor Box (KPA-SS100) is aangesloten.
- \*<sup>3</sup>: Het kompasdisplay verschijnt wanneer de Compass Unit (KPA-CP100) is aangesloten.
- In het muziekbrondisplay varieert het aantal veranderde items, zoals het brondisplay en het trackdisplay, afhankelijk van de afgespeelde bron.
- De tijdsaanduiding op het display de vehicle stemt niet overeen met de tijdsaanduiding op het display van de centrale eenheid.

## ■ Instelling van de kompas (wanneer de KPA-CP100 is aangesloten)

Wanneer u dit toestel samen met de KPA-CP100 (los verkocht) gebruikt, kan het kompasdisplay op het scherm worden getoond.

1. Kies "Sensor CONT/SENS.CONT/Sensor Control" in het menu van de centrale eenheid.

### OPMERKING

Dit is niet mogelijk tijdens de ontvangst van een MW / LW-uitzending.

2. Druk de toets ◀◀ of ▶▶ gedurende meer dan twee seconden in. De centrale eenheid schakelt de stand voor instelling van de kompas in.
3. Druk op de FM- of AM-toets.

Bij elke druk op de toets verandert de instelstand als volgt:

◡ Verandering van richtingstap ◡  
 Compensatie van kompasrichting ◡  
 Instelling van doelrichting ◡

### OPMERKING

Tijdens de instelprocedure van het kompas verschijnt de boodschap "SENS.CNT" op het scherm.

4. Selecteer het item dat u wilt instellen en druk op de toets ◀◀ of ▶▶. Met elk item kan u het volgende instellen:

Display in instelstand

	Display de Vehicle	Voorbeeld display 8 tekens(Centrale eenheid)	Voorbeeld display 16 tekens(Centrale eenheid)
Noorden-richtingen (8 richtingen)	SENS.CNT	N. DIR 8	NORTH. DIR 8
Noorden-richtingen (16 richtingen)	SENS.CNT	N. DIR 16	NORTH. DIR 16
Doelrichtingen (8 richtingen)	SENS.CNT	T. DIR 8	TARGET. DIR 8
Doelrichtingen (16 richtingen)	SENS.CNT	T. DIR 16	TARGET. DIR 16

### Verandering van de richtingstap:

Hiermee verandert u de richtingdisplaystand.

◡ Noorden (8 richtingen) ◡ Noorden (16 richtingen) ◡ Doelrichting (8 richtingen) ◡  
 Doelrichting (16 richtingen) ◡

### Noordenstand

De rijrichting van de auto wordt weergegeven met letters als één van de 8 of 16 kompasrichtingen.

### Doelrichtingstand

In de doelrichting-stand kunt u de gewenste doelrichting instellen en elke afwijking van deze richting zal op het scherm worden getoond. (zie "Instellen van de doelrichtingen" voor aanwijzingen m.b.t. het instellen van de doelrichting.)

### OPMERKING

Als "RIGHT 90.0/ R 90.0" wordt getoond, is de rechtse richtingaanduiding van 90 graden de richting van de bestemming.

Compass display example

	Voorbeeld display 8 tekens en display deVehicle	Voorbeeld display 16 tekens
Noorden-display (8 richtingen)	DIR W DIR SW	DIRECTION W DIRECTION SW
Noorden-display (16 richtingen)	DIR N DIR NNE	DIRECTION N DIRECTION NNE
Display doelrichting (8 richtingen)	F 0.0 R 90.0	FORWARD 0.0 RIGHT 90.0
Display doelrichting (16 richtingen)	B 180.0 L 112.5	BACK 180.0 LEFT 112.5

### Compensatie van kompasrichting:

1. Corrigeer het aardmagnetisme opdat het kompas normaal zou kunnen werken.

De centrale eenheid toont "COMPASS.ADJUST/COMP.ADJ" en schakelt de stand in voor verificatie van de richtinginstelling van het aardmagnetisme.

2. Druk op de toets ◀◀ of ▶▶. De automatische compensatie begint. Draai na het begin van de automatische compensatie het voertuig 360 graden.

De compensatie neemt minder dan twee minuten in beslag. (De compensatie kan mogelijk niet worden uitgevoerd als het voertuig niet binnen twee minuten 360 graden wordt gedraaid.)

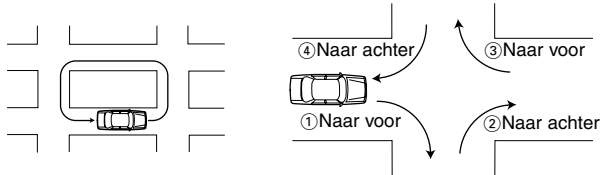
Als de compensatie met succes is voltooid, verschijnt "OK" op de centrale eenheid.

#### OPMERKING

- Als de compensatie mislukt, verschijnt "NG" op de centrale eenheid. (Als de correctie resulteert in "NG", blijven de vorige correctiewaarden behouden.)
- Als u tijdens het afstellen op de toets ◀◀ of ▶▶ drukt, zal automatisch de NG-status worden ingesteld en zal u alleen de instelling voor richtingscompensatie kunnen veranderen.

#### OPMERKING

- Bedien tijdens het compenseren van het aardmagnetisme de schakelaar terwijl het voertuig stilstaat.
- Stel tijdens het compenseren van het aardmagnetisme de stuurhoek bij het begin en het einde in op 0 graden (recht).
- Als er geen plaats is om 360 graden te draaien, volgt u de hieronder beschreven procedure.



Maak evenwel nooit u-bochten bij druk verkeer of op kruispunten, want dit is gevaarlijk.

3. Meer over richtingscompensatie

Het is mogelijk dat in sommige gebieden het noorden op de kaart niet exact overeenkomt met de magnetische noordpool. Om deze afwijking te compenseren, zoekt u het bewuste gebied op op de kaart in Figuur 1 (Zie achter dekblad) en stelt u vervolgens de voor dit gebied ingevoerde waarde in.

<Richtingscompensatie>

Druk op de toets ◀◀ of ▶▶ om een richtingscompensatie van  $\pm 20$  graden uit te voeren.

-20  $\rightrightarrows$  -15  $\rightrightarrows$  -10  $\rightrightarrows$  -5  $\rightrightarrows$  0  $\rightrightarrows$  +5  $\rightrightarrows$  +10  $\rightrightarrows$  +15  $\rightrightarrows$  +20

#### OPMERKING

De fabrieksinstelling is 0.

### Instelling van doelrichtingen:

Wanneer u de doelrichting selecteert door de richtingstappen te veranderen, moet u de doelrichting specificeren.

De doelrichting kan worden gekozen uit 8 of 16 richtingen.

$\rightrightarrows$  TGT/TARGET N  $\rightrightarrows$  TGT/TARGET NNW  $\rightrightarrows$  TGT/TARGET NW  $\rightrightarrows$  TGT/TARGET WNW  $\rightrightarrows$  TGT/TARGET W  $\rightrightarrows$  TGT/TARGET WSW  $\rightrightarrows$  TGT/TARGET SW  $\rightrightarrows$  TGT/TARGET SSW  $\rightrightarrows$  TGT/TARGET S  $\rightrightarrows$  TGT/TARGET SSE  $\rightrightarrows$  TGT/TARGET SE  $\rightrightarrows$  TGT/TARGET ESE  $\rightrightarrows$  TGT/TARGET E  $\rightrightarrows$  TGT/TARGET ENE  $\rightrightarrows$  TGT/TARGET NE  $\rightrightarrows$  TGT/TARGET NNE  $\rightrightarrows$

# Installatie

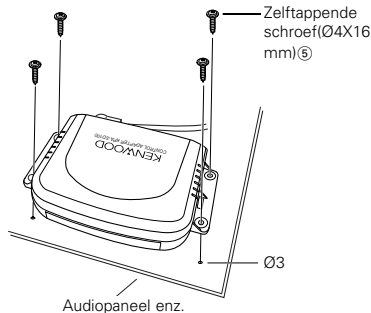
## ■ Accessoires

- ① Indicatie diode van afstandsbediening (longueur de cordon: 2.5m) .....1
- ② Aansluitkabel (ISO AB :0.1m) .....1
- ③ Aansluitkabel (ISO C :2m) .....1
- ④ Aansluitkabel (2m) .....1
- ⑤ Zelftappende schroef (Ø4X16mm) ...4
- ⑥ Dubbelzijdige kleefband.....1

## ■ Installatie van de besturingseenheid

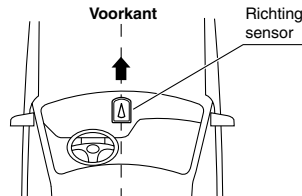
### ▲OPGELET

- Controleer alvorens een gat te boren onder een stoel of in de koffer of zich daarachter geen gastank, remleiding of bedradingsbundel bevindt. Zo ja, let dan op dat u ze niet beschadigt.
- Installeer de besturingseenheid niet op het dashboard, op de hoedenplank of in de buurt van een veiligheidsuitrusting, bijvoorbeeld een airbag.
- Installeer de besturingseenheid op een plaats in uw voertuig waar ze niet kan hinderen tijdens het rijden. Zo niet zou de besturingseenheid, als ze als gevolg van hevige schokken zou loskomen, de bestuurder, een passagier of een veiligheidsuitrusting kunnen raken en letsels of een ongeval kunnen veroorzaken.
- Controleer na de installatie van de besturingseenheid of elektrische onderdelen zoals de remlichten, de richtingaanwijzers en de ruitenwissers normaal werken.



## ■ Installatie van de KPA-CP100 (optie)

1. Dit onderdeel moet schuin naar voor, achter, links of rechts worden geplaatst binnen een hoek van 5 graden, bijvoorbeeld op het dashboard.
2. Maak de richtingsensor stevig genoeg vast met de meegeleverde dubbelzijdige kleefband, zodat hij niet kan loskomen tijdens het rijden, en zorg ervoor dat de naar boven gerichte pijl recht naar de voorkant van het voertuig wijst.



### ▲OPGELET

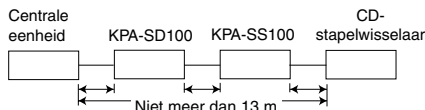
- Het is mogelijk dat de richting niet correct wordt aangegeven op de volgende plaatsen, waar het magnetisme aanzienlijk wordt verstoord. Dit duidt niet op een fout of een defect.  
(Onder een brug of spoorwegbrug, op een spoorwegovergang, onder hoogspanningskabels, in de buurt van een zendstation, een elektriciteitsstation of onderstation, enz.)
- De richting kan veranderen wanneer de ruitenwisser werkt. Installeer in dit geval de richtingzoeker op een plaats waar dit effect niet optreedt.
- Veeg alvorens de richtingzoeker te bevestigen met de dubbelzijdige kleefband stof, vlekken, olie en water van het montageoppervlak en kleef hem vervolgens stevig vast, zodat hij niet kan loskomen tijdens het rijden.
- Aangezien de richtingzoeker werkt op basis van het aardmagnetisme, geeft hij enkel de juiste richting aan als hij geïnstalleerd is op een effen oppervlak en er geen magneet of magnetisch voorwerp in de buurt is.
- De volgende voorwerpen mogen zich niet dicht bij de installatieplaats bevinden.  
(Magneet, TV, radioantenne, luidspreker, metaal, blik, enz.)

## ■ Aansluiten van eenheden

### ▲OPGELET

**Neem de onderstaande voorzorgsmaatregelen in acht vóór en tijdens het aansluiten van eenheden**

- Controleer eerst of de contact sleutel niet meer in het contactslot zit. Maak vervolgens de negatieve pool van de accu los alvorens eenheden aan te sluiten, om kortsluiting te voorkomen.
- Steek elke stekker volledig in de corresponderende aansluiting.
- Sluit de aansluitkabel aan op de centrale eenheid.
- Op de centrale eenheid kunnen maximaal drie eenheden worden aangesloten. (de KCA-S210A niet inbegrepen, als deze op de eenheid wordt aangesloten.)
- Wanneer u meerdere eenheden aansluit (bijvoorbeeld de CD-stapelwisselaar en de KPA-SS100, 1998 model DAB), moet u de KPA-SD100 rechtstreeks op de centrale eenheid aansluiten.
- De twee eenheden, KPA-SD100 en KPA-HD100, kunnen niet samen worden aangesloten.
- De totale lengte van de kabel tussen de eenheden mag niet meer dan 13 meter bedragen.
- Om de KPA-CP100 toe te voegen aan een systeem dat zowel met de KPA-SD100 als met de KPA-SS100 is uitgerust, moet u de KPA-CP100 aansluiten op de KPA-SS100.
- Wanneer u klaar bent met het aansluiten van alle eenheden, moet u de centrale eenheid eenmaal terugstellen.







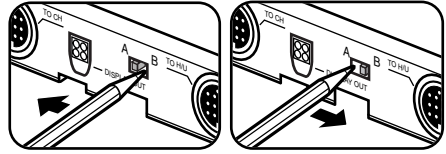
### Displaykeuzeschakelaar op Opel-display

- Instellen op A in geval van 5 x 7 puntenmatrix-display.
- Instellen op B in geval van display van 14 tekens.

De fabrieksinstelling is "A".

#### ▲OPGELET

Als u de schakelaar verkeerd instelt, zullen er aanhalingstekens verschijnen tussen de minuten en de seconden als u het 5 x 7 puntenmatrixdisplay in de auto gebruikt, of zal er niets verschijnen tussen de minuten en de seconden als u het display met 14 segmenten gebruikt. Controleer in dit geval de instelling van de schakelaar.



### Betreffende de weergave wanneer de KPA-SS100 is aangesloten.

Bij een 14-segumenten type Opel Display, wordt het decimaal punt bij de weergave van de voltage en van de hoek niet weergegeven.

## Tabel voor afstandsbediening op stuurwiel

Wanneer u dit product aansluit, zullen de bewerkingen van de centrale eenheid als volgt overeenstemmen met de bewerkingen van de Opel-afstandsbediening op het stuurwiel.

Bron Toets	Tunerstand	Cassetestand	CD-,MD-stand	CD-wisselaarstand
○	Bronschakelaar	Bronschakelaar	Bronschakelaar	Bronschakelaar
+	Verhogen van het volume	Verhogen van het volume	Verhogen van het volume	Verhogen van het volume
-	Verlagen van het Volume	Verlagen van het Volume	Verlagen van het Volume	Verlagen van het Volume
▽	Afstemmen omhoog ■:FM-schakelaar	DPSS achterwaartse richting ■:Snel doorspoelen	Track omhoog	Track omhoog ■:Disk omhoog
△	Afstemmen omlaag ■:AM-schakelaar	DPSS voorwaartse richting ■:Terugspoelen	Track omlaag	Track omlaag ■:Disk omlaag
→	Dempen van volume ■:PTY-schakelstand	Dempen van volume ■:Programma	Dempen van volume ■:Weergave/Pauze	Dempen van volume ■:Weergave/Pauze
Bron Toets	DAB-Modus	Aux-Modus	Alles aus-Modus	
○	Bronschakelaar	Bronschakelaar	Bronschakelaar	
+	Verhogen van het volume	Verhogen van het volume	_____	
-	Verlagen van het Volume	Verlagen van het Volume	_____	
▽	Serviceschakelaar ■:Golfbandschakelaar	_____	_____	
△	Serviceschakelaar ■:P/S-schakelaar	_____	_____	
→	Dempen van volume ■:PTY-schakelstand	Dempen van volume	_____	

■:Bewerking wanneer Toets gedurende 2 seconden of langer is ingedrukt

## Modelli applicabili (Unità centrale)

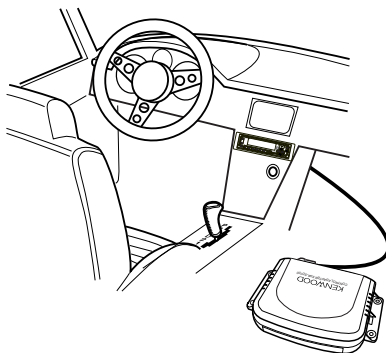
Questo prodotto funziona quando è collegato con un modello compatibile con l'Unità centrale. Per informazioni sui modelli compatibili con l'Unità centrale, si veda la tabella allegata dei modelli compatibili.

## Riguardante questo prodotto

Quando effettuate il collegamento al vostro veicolo, l'unità visualizza sul display installato nel veicolo delle informazioni provenienti dall'unità centrale KENWOOD.

Vi permette inoltre di comandare l'unità centrale per mezzo del telecomando sul volante.

\*:Assieme al vostro distributore Kenwood, confermate la possibilità di adattare questo prodotto alla vostra auto OPEL.



### ■ Tipo di informazioni che possono venire visualizzati sul display (il display tipico appare sullo schermo a 14 segmenti)

Le seguenti informazioni possono venire visualizzate sullo schermo del display nell'automobile.

	Modo*1	Display del veicolo		Modo*1	Display del veicolo		Modo*1	Display del veicolo
<b>Sintonizzatore</b>	Sorgente	<b>TUNER</b>	<b>CD,MD</b>	Sorgente	<b>CD</b>	<b>Nastro</b>	Sorgente	<b>TAPE</b>
	Frequenza	<b>100,05</b>		Codice tempo	<b>02 0'01</b>		Lato	<b>A 30'00</b>
	Servizio Programma	<b>SKYRADIO</b>					DPSS	<b>+1 30'00</b>
<b>Sintonizzatore interrompere</b>	Interruzione TI	<b>TRAFFIC</b>	<b>Cambia disco</b>	Sorgente	<b>DISC</b>	<b>DAB</b>	Sorgente	<b>DAB</b>
	Interruzione NEWS	<b>NEWS</b>		Codice tempo	<b>02 0'01</b>		Etichetta di servizio	<b>ABCDEFGH</b>
	Interruzione ALARM	<b>ALARM</b>						

\*1:Unità centrale KENWOOD

#### NOTA

- Le informazioni che appaiono sullo schermo del display variano durante la ricezione delle trasmissioni MW / LW, a seconda del modello di unità centrale che state usando.
- Il display a 14-segmenti mostra i caratteri minuscoli e i caratteri accentati delle lingue europee in maiuscolo; la matrice a 5 x 7 punti non mostra i caratteri accentati delle lingue europee.
- Le informazioni visualizzate sul display variano a seconda se usate il display a 14 segmenti oppure il display a matrice di punti 5x7.

## ■ Settaggio del Display del veicolo

1. Selezionate "EXT.ACC.CONT/ACC.CONT/EXT.ACC Control" dalle voci del Menù dell'Unità centrale.

### NOTA

Questo non funziona durante la ricezione di trasmissioni MW / LW (se l'Unità Centrale visualizza il sensore, questo è visualizzato come "----").

2. Tenere premuto il tasto ◀◀ o ▶▶ per più di due secondi.  
L'unità centrale entra nel modo di commutazione del display.
3. Il display cambia come segue quando premete il tasto ◀◀ o ▶▶.

### Commutazione del display:

↔ Sensore\*2/Bussola\*3 ↔ Sorgente musicale ↔

### NOTA

- \*2: Il display del sensore appare quando si collega la Scatola del Sensore (KPA-SS100).
- \*3: Il display della bussola appare quando si collega l'Unità Bussola (KPA-CP100).
- Nel display della sorgente musicale, il numero di voci commutate, come ad esempio il display della sorgente e il display del brano, variano in relazione alla sorgente attualmente riprodotta.
- Il tempo di lettura sul display del veicolo e il tempo di lettura sul display dell'unità centrale non sono sincronizzati.

## ■ Settaggio del bussola (quando si collega il KPA-CP100)

Combinando quest'unità con il KPA-CP100 (venduto separatamente), potete visualizzare il display della bussola sullo schermo del display.

1. Selezionate "Sensor CONT/SENS.CONT/Sensor Control" dalle voci del menù dell'Unità centrale.

### NOTA

Questo non funziona durante la ricezione di trasmissioni MW / LW.

2. Tenere premuto il tasto ◀◀ o ▶▶ per più di due secondi.

L'Unità Centrale entra nel modo di settaggio del bussola.

3. Premere il tasto FM o AM.

Ad ogni pressione il modo di settaggio cambia nel seguente ordine:

↔ Cambiamento del passo di direzione  
↔ Compensazione della direzione della bussola ↔ Settaggio della direzione obiettivo ↔

### NOTA

Durante la procedura di impostazione della bussola, appare sul display il messaggio "SENS.CNT" sullo schermo del display del veicolo.

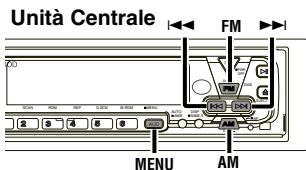
4. Per la voce che desiderate impostare, premete il tasto ◀◀ o ▶▶.

Ciascuna voce di regolazione vi permette di impostare quanto segue:

### Inversione del passo:

Cambia il modo di visualizzazione della direzione.

↔ Modo direzione nord a 8 direzioni ↔ Modo direzione nord a 16 direzioni ↔ Modo direzione obiettivo a 8 direzioni ↔ Modo direzione obiettivo a 16 direzioni ↔



### Display nel modo di regolazione

	Display del Veicolo	Esempio di display a 8 posizioni (Unità centrale)	Esempio di display a 16 posizioni (Unità centrale)
Direzione nord (8 direzioni)	SENS.CNT	N. DIR 8	NORTH. DIR 8
Direzioni nord (16 direzioni)	SENS.CNT	N. DIR 16	NORTH. DIR 16
Direzioni obiettivo (8 direzioni)	SENS.CNT	T. DIR 8	TARGET. DIR 8
Direzioni obiettivo (16 direzioni)	SENS.CNT	T. DIR 16	TARGET. DIR 16

### Esempio di display della bussola

	Voorbeeld display 8 tekens en display del'Vehicel	Esempio di display a 16 posizioni
Display direzione Nord (8 direzioni)	DIR W DIR SW	DIRECTION W DIRECTION SW
Display direzione Nord (16 direzioni)	DIR N DIR NNE	DIRECTION N DIRECTION NNE
Display direzione obiettivo (8 direzioni)	F 0.0 R 90.0	FORWARD 0.0 RIGHT 90.0
Display direzioni obiettivo (16 direzioni)	B 180.0 L 112.5	BACK 180.0 LEFT 112.5

## Modo direzione nord

La direzione di guida del veicolo è indicata con delle lettere come una delle 8 o 16 direzioni della bussola.

## Modo direzione obiettivo

Nel modo della direzione bersaglio, potete impostare la direzione desiderata del bersaglio e qualsiasi deviazione da questa direzione apparirà sullo schermo del display nell'automobile. (Fate riferimento alla sezione "Impostazione delle istruzioni bersaglio" per ulteriori informazioni sull'impostazione della direzione bersaglio.)

### NOTA

Se è visualizzata come "RIGHT 90.0/ R 90.0", la direzione della destinazione è 90 gradi sulla destra.

## Compensazione della direzione della bussola:

1. Correggete il magnetismo terrestre per permettere alla bussola di funzionare correttamente.

L'Unità Centrale visualizza "COMPASS.ADJUST/COMP.ADJ" e immette il modo di verifica dell'impostazione della direzione del magnetismo terrestre.

2. Premere il tasto ◀◀◀ o ▶▶▶. Ha inizio la compensazione automatica. Nell'introduzione della compensazione automatica, ruotate il veicolo di 360 gradi.

La durata della compensazione è inferiore ai 2 minuti. (Può accadere che non si ottenga la compensazione se il veicolo non compie un giro di 360 gradi entro 2 minuti).

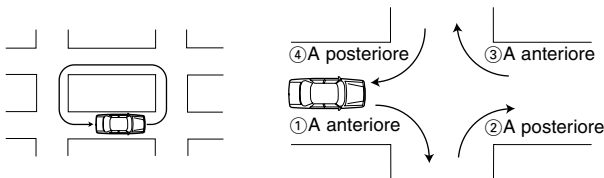
Se la compensazione è completata, l'Unità Centrale visualizza "OK".

### NOTA

- Se la compensazione non è completata correttamente, l'Unità Centrale visualizza "NG". (Se il risultato della compensazione è "NG", rimangono invariati i valori di correzione precedenti).
- Durante la regolazione, se premete il tasto ◀◀◀ o il tasto ▶▶▶, renderete lo stato forzatamente NG (non buono), e potrete solo cambiare l'impostazione Direction Compensation (compensazione di direzione).

### NOTA

- Quando compensate il magnetismo terrestre, assicuratevi di essere fermi mentre agite sull'interruttore.
- Quando compensate il magnetismo terrestre, impostate l'angolo dello sterzo su 0 gradi (dritto) a inizio e fine corsa.
- Se non vi è un luogo dove eseguire un giro di 360 gradi, seguite la procedura illustrata nel diagramma seguente. In ogni caso, non eseguite mai una inversione a U in presenza di traffico intenso o in un incrocio in quanto tali manovre possono essere pericolose.



3. Riguardo alla compensazione della direzione

Il nord sulla carta può non corrispondere esattamente con il nord del polo magnetico in certe aree. Per compensare questa discrepanza, trovate l'area in questione sulla mappa in fig. 1 (Si veda la copertina sul retro), quindi impostate il valore indicato per tale area.

<Direction compensation>

Premete il tasto ◀◀◀ o ▶▶▶ per eseguire una compensazione della direzione di  $\pm 20$  gradi.

-20  $\rightleftharpoons$  -15  $\rightleftharpoons$  -10  $\rightleftharpoons$  -5  $\rightleftharpoons$  0  $\rightleftharpoons$  +5  $\rightleftharpoons$  +10  $\rightleftharpoons$  +15  $\rightleftharpoons$  +20

### NOTA

Il valore di fabbrica preimpostato è 0.

## Settaggio della direzione obiettivo:

Quando selezionate la direzione obiettivo cambiando il passo di direzione, specificate il tipo di direzione obiettivo. La direzione obiettivo può essere specificata da 8 a 16 direzioni.

$\rightleftharpoons$  TGT/TARGET N  $\rightleftharpoons$  TGT/TARGET NNW  $\rightleftharpoons$  TGT/TARGET NW  $\rightleftharpoons$  TGT/TARGET SSW  $\rightleftharpoons$  TGT/TARGET W  $\rightleftharpoons$  TGT/TARGET WSW  $\rightleftharpoons$  TGT/TARGET SW  $\rightleftharpoons$  TGT/TARGET SSW  $\rightleftharpoons$  TGT/TARGET S  $\rightleftharpoons$  TGT/TARGET SSE  $\rightleftharpoons$  TGT/TARGET SE  $\rightleftharpoons$  TGT/TARGET ESE  $\rightleftharpoons$  TGT/TARGET E  $\rightleftharpoons$  TGT/TARGET ENE  $\rightleftharpoons$  TGT/TARGET NE  $\rightleftharpoons$  TGT/TARGET NNE  $\rightleftharpoons$

# Installazione

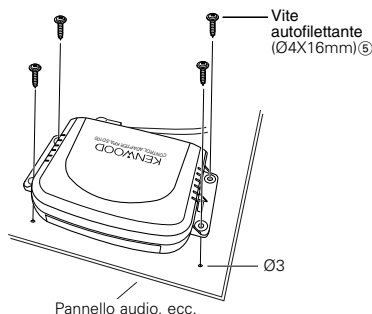
## ■ Accessori

- ① Emittitore luminoso del telecomando (lunghezza del cavo: 2.5m).....1
- ② Cavo di collegamento (ISO AB :0.1m).....1
- ③ Cavo di collegamento (ISO C :2m).....1
- ④ Cavo di collegamento (2m).....1
- ⑤ Vite autofilettante (Ø4X16mm).....4
- ⑥ Nastro adesivo a due strati.....1

## ■ Installazione dell'unità di controllo

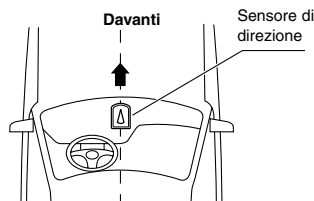
### ▲ATTENZIONE

- Prima di praticare un foro sotto un sedile o nel cofano, verificate prima che dietro al foro non si trovino serbatoi del gas, condotti dei freni o il gruppo cavi. Nel caso sia presente qualcuno di questi elementi, fate attenzione a non danneggiare gli stessi in nessun modo.
- Non installate l'unità di controllo sul cruscotto, sul vassoio portaoggetti posteriore o in prossimità di dispositivi di sicurezza come air bag.
- Quando installate l'unità di controllo sul vostro veicolo, fissatelo saldamente in modo che non disturbi la vostra guida. In caso contrario, se l'unità di controllo dovesse staccarsi in caso di shock eccessivo, potrebbe colpire il conducente o i passeggeri, o un dispositivo di sicurezza causando lesioni o incidenti.
- Quando avete finito di installare l'unità di controllo, assicuratevi che le parti elettriche come ad esempio le luci dei freni, gli indicatori di direzione e i tergicristalli, funzionano normalmente.



## ■ Installazione del KPA-CP100 (Opzione)

1. Selezionate la posizione di installazione inclinando in avanti, indietro, a destra e a sinistra ad un angolo di 5 gradi come sul cruscotto.
2. Usate il nastro adesivo a due strati in dotazione per fissare il sensore di direzione in modo abbastanza stabile perché rimanga fisso durante la guida, con la freccia superiore orientata esattamente verso la parte anteriore del veicolo.



### ▲ATTENZIONE

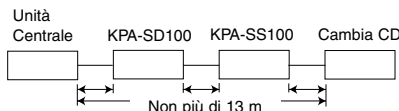
- E' possibile che la direzione non sia visualizzata correttamente nelle seguenti località dove il magnetismo è considerevolmente disturbato. Non si tratta di un errore o di un malfunzionamento. (Sotto un cavalcavia o ponte ferroviario, su un passaggio a livello, sotto i cavi dell'alta tensione, in prossimità di una stazione emittente, di una centrale elettrica, di una stazione sotterranea, ecc.)
- La direzione può cambiare quando i tergicristalli si muovono. In tale caso spostate il ricercatore di direzione in una posizione in cui non sia influenzato da tale effetto.
- Quando fissate il ricercatore di direzione per mezzo del nastro adesivo a due strati in dotazione, eliminate prima polvere, macchie, olio o acqua dalla superficie di montaggio, quindi incollatelo fermente in modo che non cada durante la guida.
- Poiché il cercatore di direzione si basa sul magnetismo terrestre, non è in grado di indicare la direzione se non viene installato su una superficie orizzontale priva di magneti o campi magnetici nei dintorni.
- Non collocare i seguenti oggetti in prossimità della posizione di installazione. (Magnet, antenna TV, radio, altoparlanti, metallo, lattine, ecc.).

## ■ Collegamento delle unità

### ▲ATTENZIONE

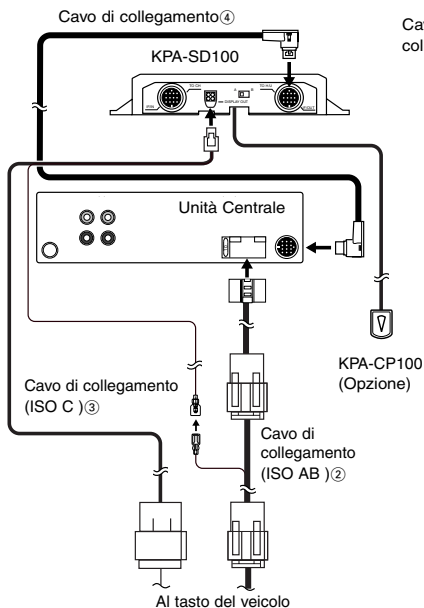
**Seguite le precauzioni sottostanti prima e durante la connessione delle unità.**

- Assicuratevi prima che nell'interruttore di accensione non vi sia la chiave inserita. Quindi, prima di collegare le unità, assicuratevi che siano scollegati i terminali della batteria per prevenire cortocircuiti.
- Inserite a fondo ogni connettore nella presa corrispondente.
- Collegate il cavo di collegamento all'Unità Centrale.
- Si possono collegare all'unità centrale fino a tre unità. (Ciò comunque non include il KCA-S210A, se questo è collegato all'unità).
- Quando collegate unità multiple, (come ad esempio il cambia CD e il KPA-SS100, modello DAB del 1998), collegate il KPA-HD100 direttamente all'Unità Centrale.
- Le due unità, KPA-SD100 e KPA-HD100, non possono essere collegate insieme.
- La lunghezza totale del cavo tra le unità non dovrebbe essere superiore a 13 m.
- Per aggiungere il KPA-CP100 ad un sistema già dotato di entrambi KPA-SD100 e KPA-SS100, collegate il KPA-CP100 al KPA-SS100.
- Una volta terminata la connessione di tutte le unità, resettate una volta l'Unità Centrale.

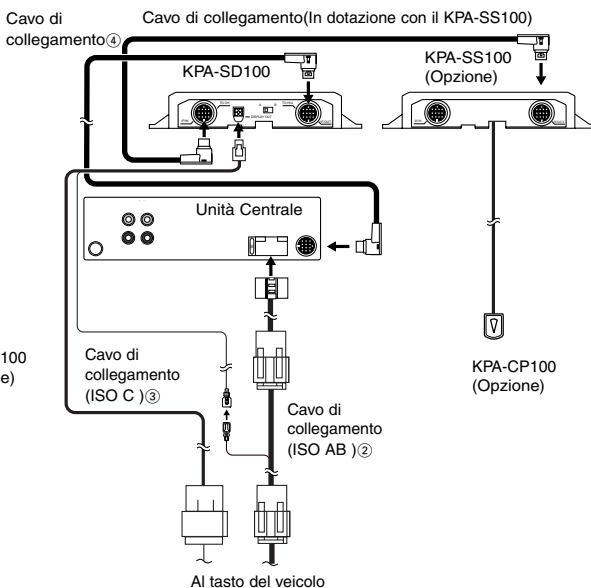


## Collegamento dell'unità centrale

### Collegamento solo del KPA-SD100

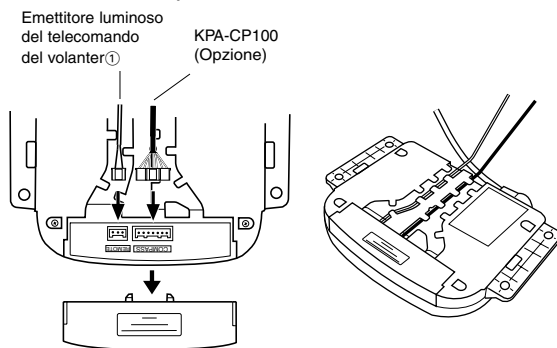


### Collegamento del KPA-SD100 e del KPA-SS100



## Collegamenti per l'emettitore luminoso del telecomando, ecc.

1. Rimuovete il coperchio del connettore.
2. Collegate ciascun connettore.
3. Una volta terminato il collegamento dei connettori richiesti, rimettete il coperchio al suo posto.

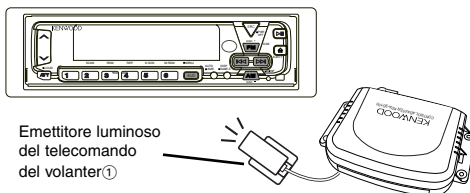


## Installazione dell'emettitore dei segnali di controllo a distanza

Lo scopo dell'emettitore dei segnali di controllo a distanza è di trasmettere il segnale dal telecomando dello sterzo verso l'unità centrale. Installatelo in un luogo in cui l'unità centrale possa rivelare il segnale.

### ATTENZIONE

Installate l'emettitore del segnale di controllo a distanza in modo tale che i cavi non vengano strofinati contro degli oggetti, altrimenti gli stessi si possono danneggiare.

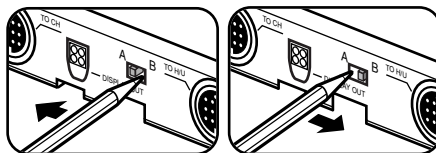


### Visualizza l'interruttore di selezione sul display di tipo Opel

- Impostate su A in caso di display a matrice di 5 x 7 punti.
  - Impostate su B in caso di display a 14-segmenti.
- L'impostazione di fabbrica è "A".

#### ⚠ATTENZIONE

Se il contatto viene montato erroneamente, appariranno tracce di quotazione tra i minuti e i secondi se il quadro indicatore nella vostra auto è un 5 x 7 matrice a punti, se il vostro quadro indicatore è un quadro a 14 segmenti niente apparirà tra i minuti e i secondi. Se dovesse succedere, controllate la montatura del contatto.



### Situazione del quadrante con il KPA-SS100 collegato

Nel quadrante Opel del tipo a 14 segmenti, il punto decimale non viene visualizzato per le indicazioni dei valori della tensione e dei valori delle angolazioni di ripresa.

## Tabella del telecomando del volante

Collegate questo prodotto, e le funzioni dell'unità centrale corrispondenti a quelle del telecomando del volante Opel, sono le seguenti.

Sorgente Tasto	Modo sintonizzazione	Modo nastro	Modo CD,MD	Modo cambia disco
○	Interruttore sorgente	Interruttore sorgente	Interruttore sorgente	Interruttore sorgente
+	Aumento del volume	Aumento del volume	Aumento del volume	Aumento del volume
-	Attenuazione del volume	Attenuazione del volume	Attenuazione del volume	Attenuazione del volume
▷	Sintonizza-su ■:Interruttore FM	Dpss+ ■:Avanzamento rapido	Brano-su	■:Disco-su
◁	Sintonizza-giù ■:Interruttore AM	Dpss- ■:Riavvolgimento	Brano-giù	■:Disco-giù
→	Attenuatore ■:Interruttore modo PTY	Attenuatore ■:Programma	Attenuatore ■:Riproduci/Pausa	Attenuatore ■:Riproduci/Pausa
Sorgente Tasto	Modo DAB	Modo Aux	Modo tutto spento	
○	Interruttore sorgente	Interruttore sorgente	Interruttore sorgente	
+	Aumento del volume	Aumento del volume	_____	
-	Attenuazione del volume	Attenuazione del volume	_____	
▷	Interruttore di servizio ■:Interruttore di banda	_____	_____	
◁	Interruttore di servizio ■:Interruttore P/S	_____	_____	
→	Attenuatore ■:Interruttore modo PTY	Attenuatore	_____	

■:Funzionamento quando il tasto è stato premuto per 2 secondi o più

## Modelos aplicables (Unidades centrales)

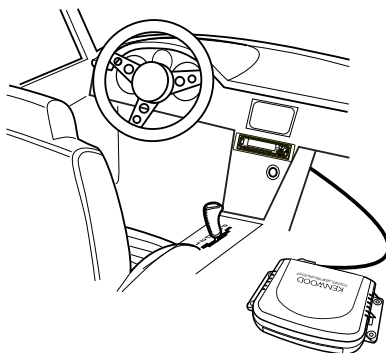
Este producto funciona cuando se encuentra conectado a un modelo compatible con la unidad central. Para información sobre modelos compatibles con la unidad central, vea la tabla adjunta de modelos compatibles.

## Sobre este producto

Cuando este conectado a su vehículo, este producto le mostrará información sobre la unidad central KENWOOD, sobre la pantalla de visualización instalada en su vehículo.

Este también permite a la unidad central ser operada desde el controlador de mando a distancia en el volante.

\*:Por favor confirme con el distribuidor Kenwood si este producto se puede adaptar a su automóvil OPEL.



### ■ La clase de información que puede ser visualizada en la pantalla de visualización (la típica visualización aparece en pantalla de visualización de 14 segmentos)

La siguiente información puede ser visualizada sobre la pantalla de visualización dentro del automóvil.

	Modo *1	Visualización del vehículo		Modo *1	Visualización del vehículo		Modo *1	Visualización del vehículo
TUNER	Fuente	TUNER	CD,MD	Fuente	CD	TAPE	Fuente	TAPE
	Frecuencia	100,05		Código de Tiempo	02 0'01		Lado	A 30'00
Interrupción de la SINTONIZACIÓN	Servicios de Programa	SKYRADIO	Cambiador de disco	Código de Tiempo	DISC	DAB	DPSS	+1 30'00
	Interrupción de TI	TRAFFIC					Fuente	DAB
	Interrupción de las	NEWS					Código de Tiempo	02 0'01
Interrupción de la ALARMA	ALARM							

\*1:Unidad central KENWOOD

#### NOTA

- Le informazioni che appaiono sullo schermo del display variano durante la ricezione delle trasmissioni MW / LW, a seconda del modello di unità centrale che state usando.
- La pantalla de visualización de 14 segmentos muestra caracteres en minúscula y caracteres en idioma Europeo acentuados en mayúscula; La pantalla de visualización de matriz de punto de 5 x 7 no muestra caracteres en idioma Europeo acentuados.
- La información mostrada en la pantalla de visualización variará dependiendo de si usted esta utilizando la pantalla de visualización de 14 segmentos o la pantalla de visualización de matriz de punto 5x7.



# Funcionamiento

## ■ Configuración de la pantalla de visualización del vehículo

1. Seleccione "EXT.ACC.CONT/ACC.CONT/EXT.ACC Control" de los ítems del menú de la unidad central.

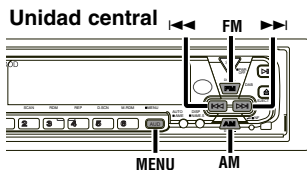
### NOTA

Esto no funciona durante la recepción de las emisiones MW / LW (si la unidad central visualiza los sensores, se visualiza como " - - - ").

2. Mantenga pulsado el botón ◀◀ o ▶▶ durante más de dos segundos.

La Unidad Central introduce el modo de visualización conmutación.

3. La pantalla de visualización cambia de la siguiente forma cuando pulse el botón ◀◀ o el botón ▶▶.



### Cambio de la pantalla de visualización:

↔ Sensor<sup>2</sup>/Compás<sup>3</sup> ↔ Fuente de música ↔

### NOTA

- <sup>2</sup>: La visualización del sensor aparece cuando Sensor Box (KPA-SS100) se encuentra conectado.
- <sup>3</sup>: La visualización del compás aparece cuando Compass Unit (KPA-CP100) se encuentra conectado.
- En visualización de fuente de música, el número de ítems cambiado, tales como visualización de fuente y visualización de pista, varía con la fuente que está siendo actualmente reproducida.
- El tiempo de lectura de la pantalla de visualización del vehículo y el tiempo de lectura de la pantalla de visualización de la unidad central no están sincronizados.

## ■ Configuración del compás (Cuando el KPA-CP100 se encuentra conectado)

Combinando esa unidad con el KPA-CP100 (vendido por separado), la visualización de la brújula puede ser mostrada en la pantalla de visualización.

1. Seleccione "Sensor CONT/SENS.CONT/Control del sensor" de los ítems del menú de la unidad central.

### NOTA

Esto no funciona durante la recepción de las emisiones MW / LW.

2. Mantenga pulsado el botón ◀◀ o ▶▶ durante más de dos segundos.

La unidad central introduce el modo de configuración de la pantalla del compás.

3. Pulse el botón FM o AM.

Cada pulsación conmuta el modo de configuración de la siguiente forma:  
 ↔ Cambio del paso de dirección ↔  
 Compensación de la dirección del compás ↔ Configuración de la dirección objetivo ↔

### NOTA

Durante el procedimiento de configuración de la brújula, el mensaje "SENS.CNT" será visualizado sobre la pantalla de visualización del vehículo.

4. En el ítem que desee configurar, pulse el botón ◀◀ or ▶▶.

Cada ítem le permite ajustar lo siguiente:

### Visualización en el modo de ajuste

	Visualización del vehículo	Ejemplo de visualización de 8-dígitos(Unidad central)	Ejemplo de visualización de 16-dígitos(Unidad central)
Direcciones norte (8 direcciones)	SENS.CNT	N. DIR 8	NORTH. DIR 8
Direcciones norte (16 direcciones)	SENS.CNT	N. DIR 16	NORTH. DIR 16
Direcciones objetivo (8 direcciones)	SENS.CNT	T. DIR 8	TARGET. DIR 8
Direcciones objetivo (16 direcciones)	SENS.CNT	T. DIR 16	TARGET. DIR 16

### Ejemplo de visualización de compás

	Ejemplo de visualización de 8-dígitos y visualización del vehículo	Ejemplo de visualización de 16-dígitos
Visualización de la dirección norte (8 direcciones)	DIR W DIR SW	DIRECTION W DIRECTION SW
Visualización de la dirección norte (16 direcciones)	DIR N DIR NNE	DIRECTION N DIRECTION NNE
Visualización de la dirección objetivo (8 direcciones)	F 0.0 R 90.0	FORWARD 0.0 RIGHT 90.0
Visualización de la dirección objetivo (16 direcciones)	B 180.0 L 112.5	BACK 180.0 LEFT 112.5

### Cambio del paso de dirección:

Conmutar los modos de visualización de la dirección.

↔ Modo de dirección norte (8 direcciones) ↔ Modo de dirección norte (16 direcciones) ↔ Modo de dirección objetivo (8 direcciones) ↔ Modo de dirección objetivo (16 direcciones) ↔

## Modo de dirección norte

La dirección de viaje del vehículo será visualizada con letras como una de las 8 o 16 direcciones de la brújula.

## Modo de dirección del objetivo

En el modo Dirección Objetivo, usted puede ajustar la dirección del objetivo deseado, y cualquier desviación de esta dirección será entonces visualizada en la pantalla de visualización dentro del automóvil. (Véase "Configuración de la dirección del objetivo" para instrucciones sobre ajuste de la dirección del objetivo.)

### NOTA

Si se visualiza como "RIGHT 90.0/ R 90.0", la dirección de 90 grados de la derecha es la dirección de destino.

## Compensación de la dirección del compás:

### 1. Corregir el magnetismo a tierra para permitir que el compás funcione normalmente.

La unidad central visualiza "COMPASS.ADJUST/COMP.ADJ" e introduce el modo de verificación de la configuración de la dirección del magnetismo a tierra.

### 2. Pulse el botón ◀◀ o ▶▶. Inicio de compensación automática. Después de introducir la compensación automática, gire el vehículo 360 grados.

El tiempo de compensación dura menos de dos minutos. (Puede que no se logre la compensación si el vehículo no termina de girar 360 grados dentro de dos minutos).

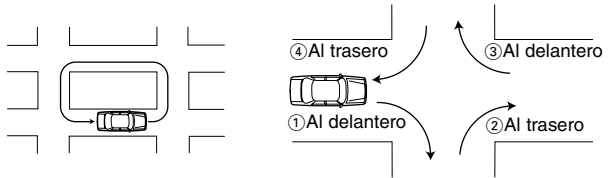
Si se completa la compensación, la unidad central visualiza "OK".

### NOTA

- Si la compensación falla, la unidad central visualiza "NG". (Si la corrección resulta en "NG", los valores de corrección anteriores permanecen como están).
- Mientras está ajustando, si pulsa usted el botón ◀◀ o el botón ▶▶, esto rendirá fuertemente el estado NG, y sólo podrá usted cambiar el ajuste de la compensación de la dirección.

### NOTA

- Al compensar el magnetismo a tierra, asegúrese de hacer funcionar el interruptor mientras esté parado.
- Al compensar el magnetismo a tierra, ajuste el ángulo de dirección al comienzo y al final a 0 (directo) grados.
- Si no hay sitio para hacer un giro de 360 grados, siga el procedimiento que se muestra en el siguiente diagrama. Sin embargo, nunca haga giros cuando haya mucho tráfico o en intersecciones puesto que es peligroso.



### 3. Sobre la compensación de la dirección

El norte en el mapa puede que no sea exactamente el mismo que el polo magnético norte en algunas áreas. Para compensar esta discrepancia, encuentre la región actual en el mapa en la Figura 1 (Véase la cubierta posterior), luego ajuste el valor introducido para esta región.

<Direction compensation>

Pulse el botón ◀◀ o ▶▶ para llevar a cabo una compensación de la dirección de  $\pm 20$  grados.  
-20  $\rightleftharpoons$  -15  $\rightleftharpoons$  -10  $\rightleftharpoons$  -5  $\rightleftharpoons$  0  $\rightleftharpoons$  +5  $\rightleftharpoons$  +10  $\rightleftharpoons$  +15  $\rightleftharpoons$  +20

### NOTA

El ajuste por defecto de fábrica es 0.

## Configuración de la dirección objetivo:

Cuando seleccione la dirección objetivo cambiando los pasos de la dirección, especifique la dirección objetivo.

La dirección objetivo puede especificarse de 8 o 16 direcciones.

$\rightleftharpoons$  TGT/TARGET N  $\rightleftharpoons$  TGT/TARGET NNW  $\rightleftharpoons$  TGT/TARGET NW  $\rightleftharpoons$  TGT/TARGET WNW  $\rightleftharpoons$  TGT/TARGET W  $\rightleftharpoons$  TGT/TARGET WSW  $\rightleftharpoons$  TGT/TARGET SW  $\rightleftharpoons$  TGT/TARGET SSW  $\rightleftharpoons$  TGT/TARGET S  $\rightleftharpoons$  TGT/TARGET SSE  $\rightleftharpoons$  TGT/TARGET SE  $\rightleftharpoons$  TGT/TARGET ESE  $\rightleftharpoons$  TGT/TARGET E  $\rightleftharpoons$  TGT/TARGET ENE  $\rightleftharpoons$  TGT/TARGET NE  $\rightleftharpoons$  TGT/TARGET NNE  $\rightleftharpoons$

# Instalación

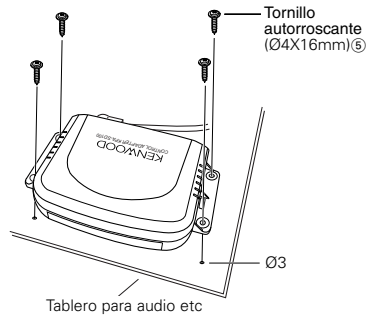
## ■ Accesorios

- ① Emisor de luz del mando a distancia (longitud del cable: 2.5m) .....1
- ② Cable de conexión (ISO AB :0.1m).....1
- ③ Cable de conexión (ISO C :2m) .....1
- ④ Câble de connexion (2m).....1
- ⑤ Tornillo autorroscante (Ø4X16mm)...4
- ⑥ Cinta adhesiva de doble capa.....1

## ■ Instalación de la unidad de control

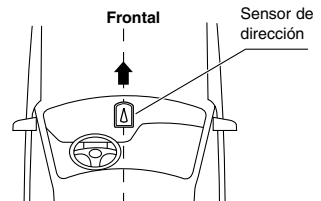
### ▲PRECAUCIÓN

- Cuando vaya a hacer un agujero debajo de un asiento o dentro del maletero, compruebe de antemano si hay algún depósito de gas, tubo del freno, o cableado preformado detrás del agujero. En caso de que lo haya, tenga cuidado de no dañarlo.
- No instale la unidad de control sobre el tablero de instrumentos, sobre la bandeja posterior, o cerca de algún componente de seguridad tal como un air bag (bolsa de aire).
- Al instalar la unidad de control en su vehículo, fíjela firmemente a una parte donde no perturbe su suave conducción. En caso contrario, si la unidad de control se sale al ocasionarse un choque, puede que golpee al conductor o pasajero o a algún componente de seguridad, provocando lesiones o accidente.
- Cuando haya terminado de instalar la unidad de control, asegúrese de que las partes eléctricas tales como las luces de freno, los intermitentes y los limpiaparabrisas funcionan con normalidad.



## ■ Instalación del KPA-CP100 (Opción)

1. Seleccione el lugar de instalación inclinado hacia adelante, hacia atrás, hacia la izquierda o hacia la derecha a un ángulo dentro de 5 grados, tal como sobre el tablero de instrumentos.
2. Utilice la cinta adhesiva de doble capa suministrada para fijar el sensor de dirección lo suficientemente firme como para permanecer fijo durante la conducción, con la flecha de hacia arriba dirigida hacia la parte delantera del vehículo.



### ▲PRECAUCIÓN

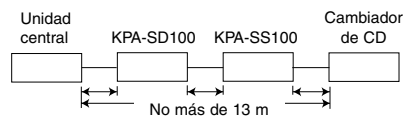
- La dirección puede que no se visualice correctamente en los lugares donde el magnetismo se encuentra considerablemente perturbado. No es un error o fallo. (Bajo un puente de tierra o puente de ferrocarril, en un cruce de ferrocarril, bajo cables de alimentación de alto voltaje, cerca de una estación de emisión, central eléctrica o subestación, etc.)
- La dirección puede cambiar con el movimiento de los limpiaparabrisas. En este caso, mueva el buscador de la dirección a una posición donde quede fuera del alcance del efecto.
- Cuando fije el buscador de la dirección utilizando la cinta adhesiva de doble capa, limpie el polvo, las manchas, el aceite y aclare la superficie de montaje de antemano, luego péguelo firmemente para que no se despegue durante la conducción.
- Puesto que el buscador terrestre utiliza el magnetismo terrestre, no mostrará la correcta dirección a menos que esté instalado en un sitio nivelado sin ningún imán u objeto magnético alrededor.
- No coloque los siguientes objetos cerca del lugar de instalación. (Imán, TV, antena de radio, altavoz, metal, lata, etc.)

## ■ Unidades de conexión

### ▲PRECAUCIÓN

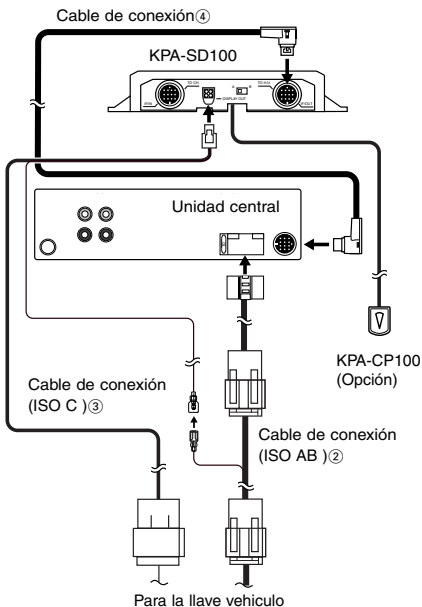
**Siga las precauciones de a continuación antes y al conectar las unidades.**

- Primero asegúrese de que la llave no se encuentra en el interruptor de ignición. Luego, asegúrese de desconectar el terminal de la batería para evitar que suceda un corto circuito antes de conectar las unidades.
- Enchufe debidamente cada conector en el enchufe complementario.
- Conecte el cable de conexión a la unidad central.
- Se pueden conectar hasta tres unidades a la unidad central. (Esto, sin embargo, no incluye al KCA-S210A si está conectado a la unidad).
- Al conectar múltiples unidades (tales como cambiador de CD y KPA-SS100, 1998 modelo DAB), conecte el KPA-HD100 directamente a la unidad central.
- Las dos unidades, KPA-SD100 y KPA-HD100, no pueden estar conectadas juntas.
- La longitud total del cable entre las unidades no debería ser mayor a 13m.
- Para añadir el KPA-CP100 al sistema teniendo tanto KPA-SD100 como KPA-SS100 instalados, conecte el KPA-CP100 al KPA-SS100.
- Cuando haya terminado de conectar todas las unidades, vuelva a ajustar la unidad central una vez.

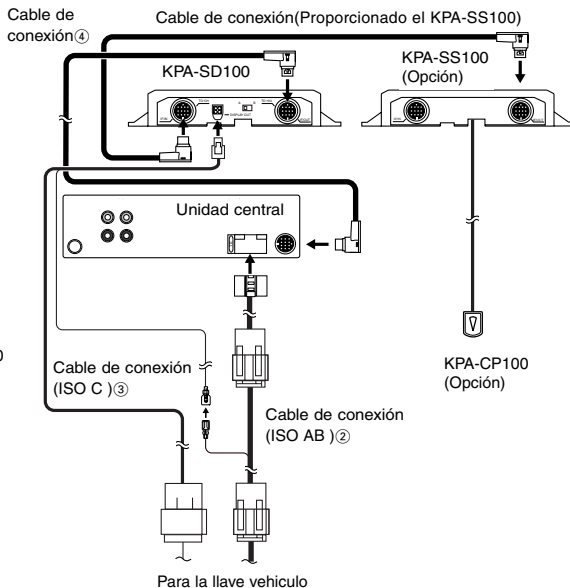


## Conectar a la unidad central

### Conectar sólo el KPA-SD100

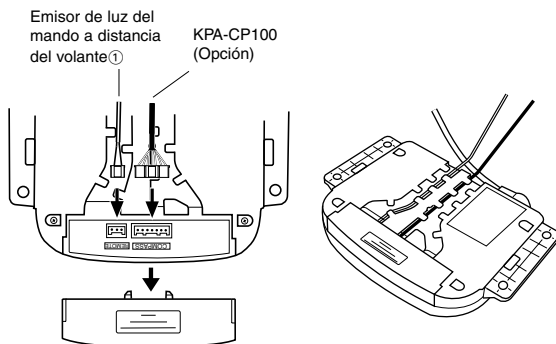


### Conectar el KPA-SD100 y el KPA-SS100



### Conexiones para el emisor de luz del mando a distancia, etc.

1. Retirar la cubierta del conector.
2. Conectar cada conector.
3. Cuando haya terminado de conectar los conectores necesarios, vuelva a colocar la cubierta en su sitio.

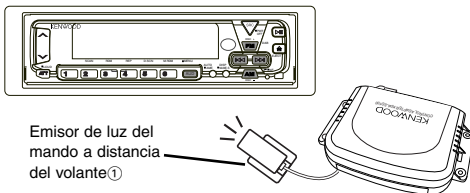


### Instalación del emisor de luz de la unidad de mando a distancia

El propósito del emisor de luz de la unidad de mando a distancia es transmitir la señal desde la dirección de la unidad de mando a distancia a la unidad central. Por favor instalelo en una posición donde la unidad central pueda detectar la señal.

#### PRECAUCIÓN

Por favor instale el emisor de luz de la unidad de mando a distancia de tal forma que el cable no roce con el conector, debido a que esto puede dañar el cable.



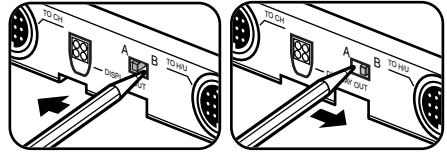
### Visualizar el interruptor selector en la pantalla de visualización del Opel

- Ajustar a A en el caso de pantalla de visualización de matriz de puntos de 5 x 7.
- Ajustar a B en el caso de pantalla de visualización de 14 segmentos.

La configuración de fábrica es "A".

#### ⚠PRECAUCIÓN

Si usted ajusta mal el interruptor, aparecerán comillas entre los minutos y los segundos si su unidad de la pantalla de visualización del automóvil es de matriz de punto 5 x 7, o, si su unidad de la pantalla de visualización del automóvil es de 14 segmentos, no aparecerá nada entre los minutos y los segundos. Si esto sucede, verifique la configuración del interruptor.



### Relacionado con la pantalla cuando KPA-SS100 está conectado.

La pantalla Opel de 14 segmentos no presenta el punto decimal de las indicaciones de voltaje y de ángulo.

## Cuadro del mando a distancia del volante

Conecte este producto, y las operaciones de la unidad central correspondientes con las operaciones del mando a distancia del volante Opel son de la siguiente forma.

Fuente Botón	Modo Tuner	Modo Tape	Modo CD,MD	Modo del cambiador de disco
○	Interruptor de la fuente	Interruptor de la fuente	Interruptor de la fuente	Interruptor de la fuente
+	Aumento de Volumen	Aumento de Volumen	Aumento de Volumen	Aumento de Volumen
-	Disminución Volumen	Disminución Volumen	Disminución Volumen	Disminución Volumen
▽	Sintonizar hacia arriba ■:Interruptor FM	DPSS de rebobinado ■:Avance	Pista hacia arriba	Pista hacia arriba ■:Disco hacia arriba
△	Sintonizar hacia abajo ■:Interruptor AM	DPSS de Avance Rápido ■:Rebobinado rápido	Pista hacia abajo	Pista hacia abajo ■:Disco hacia abajo
→	Atenuador ■:Modo interruptor PTY	Atenuador ■:Programa	Atenuador ■:Reproducir/Pausa	Atenuador ■:Reproducir/Pausa
Fuente Botón	Modo DAB	Modo Aux	Modo todo Desactivado	/
○	Interruptor de la fuente	Interruptor de la fuente	Interruptor de la fuente	
+	Aumento de Volumen	Aumento de Volumen	_____	
-	Disminución Volumen	Disminución Volumen	_____	
▽	Interruptor de servicio ■:Interruptor de banda	_____	_____	
△	Interruptor de servicio ■:Interruptor P/S	_____	_____	
→	Atenuador ■:Modo interruptor PTY	Atenuador	_____	

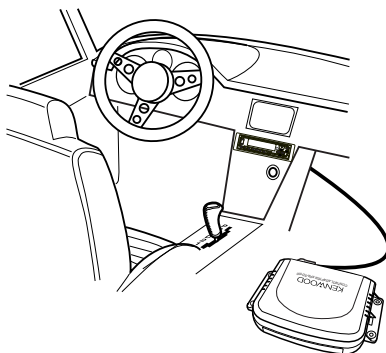
■:Operación cuando el botón ha sido pulsada por 2 segundos o más

## Modelos Aplicáveis (Unidade Central)

Este produto funciona quando ligado a um modelo compatível com a Unidade Central. Para informação sobre modelos compatíveis com a Unidade Central, consulte a tabela anexa de modelos compatíveis.

### Sobre este produto

Quando ligado ao seu veículo, este produto apresentará informação da unidade central KENWOOD, no ecrã instalado no seu veículo. Ele também possibilita que a unidade central seja operada a partir do controlo remoto no volante.  
\*:Confirme com o revendedor Kenwood se este produto é apropriado para o seu carro OPEL.



### ■ O tipo de informação que pode ser apresentado no ecrã (apresentação típica aparecendo no ecrã de mostrador de 14 segmentos)

A informação seguinte pode ser apresentada no ecrã do carro.

	Modo *1	Ecrã do veículo		Modo *1	Ecrã do veículo		Modo *1	Ecrã do veículo
<b>Sintonizador</b>	Fonte Frequência Servicios de Programa	<b>TUNER</b> 100,05 <b>SKYRADIO</b>	<b>CD,MD</b>	Fonte Código de Hora	<b>CD</b> 02 0'01	<b>Fita</b>	Fonte Lado DPSS	<b>TAPE</b> A 30'00 +1 30'00
<b>Sintonizador interromper</b>	Interromper TI Interromper NOTICIÁRIO Interromper ALARM	<b>TRAFFIC</b> <b>NEWS</b> <b>ALARM</b>	<b>Carregador de Discos</b>	Fonte Código de Hora	<b>DISC</b> 02 0'01	<b>DAB</b>	Fonte Etiqueta de Serviço	<b>DAB</b> ABCDEFGH

\*1:Unidade central KENWOOD

#### NOTA

- A informação apresentada no ecrã varia quando recebe emissões OM / OL, dependendo do modelo de unidade central que usar.
- O mostrador de 14 segmentos apresenta caracteres em minúsculas e caracteres acentuados de línguas europeias em maiúsculas; o mostrador de matriz de pontos 5 x 7 não apresenta caracteres acentuados de línguas europeias.
- A informação apresentada no ecrã varia dependendo de estar a usar o ecrã de 14 segmentos ou o ecrã de matriz de pontos 5 x 7.

# Operação

## ■ Definição do mostrador do veículo

1. Seleccione "EXT.ACC.CONT/ACC.CONT/EXT.ACC Control" dos itens do menu Unidade Central.

### NOTA

Isto não funciona durante a recepção de emissões OM / OL (se a unidade central apresentar os sensores, é apresentado como " - - - - ").

2. Mantenha premido o botão ◀◀ ou ▶▶ durante mais de dois segundos.

A Unidade Central entra em modo mostrador-comutação.

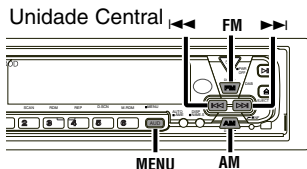
3. O mostrador muda como se segue quando prime o botão ◀◀ ou o botão ▶▶.

### Comutação do mostrador:

⌞ Sensor\*/bússola\*<sup>3</sup> ⌞ Fonte Musical ⌞

### NOTA

- \*2: O mostrador do sensor aparece quando está ligada a Caixa do Sensor (KPA-SS100).
- \*3: O mostrador de bússola aparece quando está ligada a Unidade de bússola (KPA-CP100).
- Em mostrador de Fonte Musical, o número de itens comutados, tal como mostrador de fonte e mostrador de faixa, varia com a fonte a ser reproduzida no momento.
- A hora apresentada no mostrador do veículo e a hora apresentada no mostrador da unidade central não estão sincronizadas.



## ■ Definição do bússola (Quando está ligado o KPA-CP100)

Combinando esta unidade com o KPA-CP100 (vendido separadamente), o mostrador da bússola pode ser apresentado no ecrã.

1. Seleccione "Sensor CONT/SENS.CONT/Sensor Control" dos itens do menu Unidade Central.

### NOTA

Isto não funciona durante a recepção de emissões OM / OL.

2. Mantenha premido o botão ◀◀ ou ▶▶ durante mais de dois segundos.

A Unidade Central entra em modo de definição do bússola.

3. Prima o botão FM ou AM.

Cada pressão comuta o modo de definição como se segue:

⌞ Comutação de passo de direcção ⌞  
 ⌞ Compensação de direcção de bússola ⌞  
 ⌞ Definição de direcção de objectivo ⌞  
 ⌞

### NOTA

Durante o procedimento de regulação da Bússola, será apresentada a mensagem "SENS.CNT" no ecrã do veículo.

4. No item que pretende definir, prima o botão ◀◀ ou ▶▶.

Cada item permite-lhe definir o seguinte:

### Comutação de passo de direcção:

Comuta modos de apresentação de direcção.

⌞ Modo de Direcção Norte (8 direcções) ⌞ Modo de Direcção Norte (16 direcções) ⌞ Modo Direcção Objectivo (8 direcções) ⌞ Modo Direcção Objectivo (16 direcções) ⌞

### Modo de Direcção Norte

A direcção de deslocação do veículo será apresentada com letras como uma das 8 ou 16 direcções da bússola.

### Modo direcção objectivo

Em modo Direcção Objectivo, poderá definir a direcção do objectivo, e qualquer desvio desta direcção será então apresentada no ecrã do carro. (Consulte "Definição das direcção de objectivo" sobre instruções para definir a direcção do objectivo.)

### NOTA

Se for apresentada como "RIGHT 90.0/ R 90.0", a direcção de 90 graus à direita é a direcção do destino.

Mostrador em modo ajuste

	Mostrador do veículo	Exemplo de mostrador de 8 dígitos(Unidade Central)	Exemplo de mostrador de 16 dígitos(Unidade Central)
Direcções Norte (8 direcções)	SENS.CNT	N. DIR 8	NORTH. DIR 8
Direcções Norte (16 direcções)	SENS.CNT	N. DIR 16	NORTH. DIR 16
Direcções objectivo (8 direcções)	SENS.CNT	T. DIR 8	TARGET. DIR 8
Direcções objectivo (16 direcções)	SENS.CNT	T. DIR 16	TARGET. DIR 16

Exemplo de mostrador de bússola

	Exemplo de mostrador de 8 dígitos e mostrador do veículo	Exemplo de mostrador de 16 dígitos
Mostrador de direcção norte (8 direcções)	DIR W DIR SW	DIRECTION W DIRECTION SW
Mostrador de direcção norte (16 direcções)	DIR N DIR NNE	DIRECTION N DIRECTION NNE
Mostrador direcção objectivo (8 direcções)	F 0.0 R 90.0	FORWARD 0.0 RIGHT 90.0
Mostrador direcção objectivo (16 direcções)	B 180.0 L 112.5	BACK 180.0 LEFT 112.5

## Compensação de direcção da bússola:

1. Corrige o magnetismo terrestre para permitir à bússola funcionar normalmente.

A Unidade Central apresenta "COMPASS.ADJUST/COMP.ADJ" e entra em modo verificação de definição de direcção do magnetismo terrestre.

2. Prima o botão ◀◀ ou ▶▶. Começa a compensação automática. Ao entrar em compensação automática, rode o veículo 360 graus.

O tempo para a compensação dura menos que dois minutos. (A compensação poderá não ser possível se o veículo não terminar a volta de 360 graus dentro de dois minutos.)

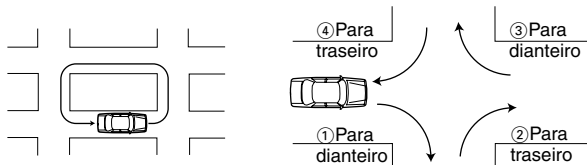
Se a compensação for completada, a Unidade Central apresenta "OK".

### NOTA

- Se a compensação falhar, a Unidade Central apresenta "NG". (Se a correcção resultar em "NG", os valores de correcção anteriores serão mantidos.)
- Em Ajustar, se pressionar o botão ◀◀ ou o botão ▶▶, isto forçará o estado NG, e apenas será capaz de alterar o ajustamento da Compensação da Direcção.

### NOTA

- Ao compensar a magnetismo terrestre, certifique-se que opera o interruptor estando parado.
- Ao compensar a magnetismo terrestre, coloque o angulo da direcção no início e no final em 0 graus (a direito).
- Se não existir um local para rodar em 360 graus, siga o procedimento apresentado no diagrama seguinte. Contudo, nunca faça inversão de marcha em trânsito intenso nem em intersecções pois isto é perigoso.



3. Sobre compensação de direcção

O norte do mapa poderá, em certas áreas, não coincidir exactamente com o polo norte magnético. Para compensar esta discrepância, procure a região onde se encontra no mapa da 1 (Veja a contra-capa), e depois introduza o valor para essa região.

<Direction compensation>

Prima o botão ◀◀ ou ▶▶ para executar a compensação de direcção de  $\pm 20$  graus.

-20  $\rightleftharpoons$  -15  $\rightleftharpoons$  -10  $\rightleftharpoons$  -5  $\rightleftharpoons$  0  $\rightleftharpoons$  +5  $\rightleftharpoons$  +10  $\rightleftharpoons$  +15  $\rightleftharpoons$  +20

### NOTA

A opção de fábrica é 0.

## Definição de direcções objectivo:

Quando seleccionar a direcção objectivo direcção comutando os passos de direcção, especifique a direcção objectivo. A direcção objectivo pode ser especificada em 8 ou 16 direcções.

$\rightleftharpoons$  TGT/TARGET N  $\rightleftharpoons$  TGT/TARGET NNW  $\rightleftharpoons$  TGT/TARGET NW  $\rightleftharpoons$  TGT/TARGET WNW  $\rightleftharpoons$  TGT/TARGET W  $\rightleftharpoons$  TGT/TARGET WSW  $\rightleftharpoons$  TGT/TARGET SW  $\rightleftharpoons$  TGT/TARGET SSW  $\rightleftharpoons$  TGT/TARGET S  $\rightleftharpoons$  TGT/TARGET SSE  $\rightleftharpoons$  TGT/TARGET SE  $\rightleftharpoons$  TGT/TARGET ESE  $\rightleftharpoons$  TGT/TARGET E  $\rightleftharpoons$  TGT/TARGET ENE  $\rightleftharpoons$  TGT/TARGET NE  $\rightleftharpoons$  TGT/TARGET NNE  $\rightleftharpoons$



# Instalação

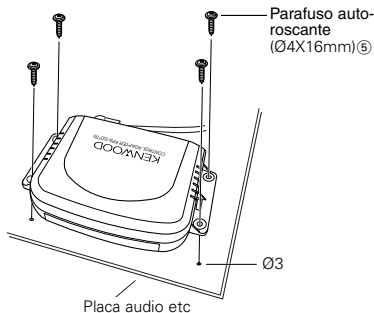
## ■ Acessórios

- ① Emissor de luz do controlo remoto (comprimento do cabo: 2.5m) .....1
- ② Cabo de ligação (ISO AB :0.1m).....1
- ③ Cabo de ligação (ISO C :2m) .....1
- ④ Cabo de ligação (2m) .....1
- ⑤ Parafuso auto-roscante(Ø4X16mm) .4
- ⑥ Fita adesiva de duas faces .....1

## ■ Instalação da Unidade de Controlo

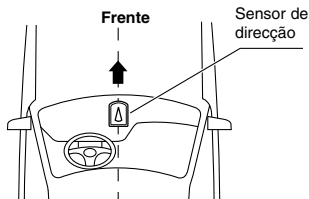
### ▲CUIDADO

- Ao fazer um furo em baixo dum assento ou dentro da mala, verifique primeiro se nesse local não estará o depósito de gasolina, tubagem dos travões, ou cablagem. Se assim for, tenha o cuidado de não os danificar de qualquer forma.
- Não instale a Unidade de Controlo no painel de instrumentos, nem na prateleira traseira nem perto de nenhum componente de segurança tal como um airbag.
- Ao instalar a Unidade de Controlo no seu veículo, fixe-a firmemente a uma peça onde não perturbe a sua condução. Caso contrário, se a Unidade de Controlo se soltar por um por um choque excessivo, poderá atingir o condutor ou passageiro ou um componente de segurança, provocando ferimentos ou um acidente.
- Quando tiver terminado de instalar a Unidade de Controlo, certifique-se que as peças eléctricas tais como as luzes de travões, piscas, e limpa pára-brisas funcionam normalmente.



## ■ Instalação do KPA-CP100 (Opção)

1. Seleccione a posição de instalação inclinando para a frente, para trás, para a esquerda, ou para a direita num ângulo de até 5 graus, tal como no painel de instrumentos.
2. Use a fita adesiva de duas faces fornecida para fixar firmemente o sensor de direcção de forma a manter-se fixo durante a condução, com a seta para cima a apontar para a direita para frente do veículo.



### ▲CUIDADO

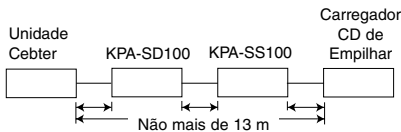
- A direcção poderá não ser apresentada correctamente nos locais seguintes onde o magnetismo sofre interferências consideráveis. Não é um erro nem falha.  
(Debaixo de uma ponte rodoviária ou ferroviária, ao cruzar uma linha férrea, debaixo de linhas de alta tensão, perto de uma estação emissora, central de energia eléctrica, ou subestação, etc.)
- A direcção poderá variar se os limpa pára-brisas estiverem a funcionar. Neste caso, desloque sensor de direcção para uma posição em que ele fique livre dessa interferência.
- Ao fixar o sensor de direcção utilizando a fita adesiva de duas faces, limpe primeiro a poeira, manchas, óleo e água da superfície de montagem, depois cole firmemente de forma a que não se solte durante a condução.
- Dado que o sensor de direcção usa o magnetismo terrestre, não indicará a direcção correcta a menos que esteja instalado num local nivelado sem qualquer imã ou objecto magnético próximo.
- Não coloque os seguintes objectos perto da posição de instalação.  
(Imã, televisão, antena de rádio, altifalante, metal, lata, etc.)

## ■ Ligação de Unidades

### ▲CUIDADO

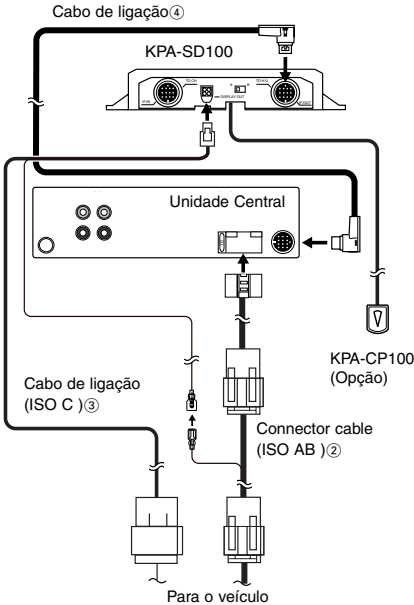
**Siga as precauções seguintes antes de e durante a ligação das unidades.**

- Certifique-se primeiro que a ignição não tem a chave inserida. Depois, e antes de ligar as unidades, certifique-se que desliga o terminal - da bateria para evitar a ocorrência de um curto-circuito.
- Introduza cada conector completamente na tomada correspondente.
- Ligue o cabo de ligação à Unidade Central.
- Podem ser ligadas até três unidades à unidade central. (Isto, contudo, não inclui o KCA-S210A se ele estiver ligado à unidade.)
- Ao ligar unidades múltiplas (tais como o Carregador de CD de Empilhar e o KPA-SS100, modelo 1998 DAB), ligue o KPA-HD100 directamente à Unidade Central.
- As duas unidades, KPA-SD100 e KPA-HD100, não podem ser ligadas simultaneamente.
- O comprimento total do cabo entre as unidades não deve exceder 13m.
- Para acrescentar o KPA-CP100 ao sistema tendo já instalados o KPA-SD100 e o KPA-SS100, ligue o KPA-CP100 ao KPA-SS100.
- Quando acabar de ligar todas as unidades, reinicie uma vez a Unidade Central.

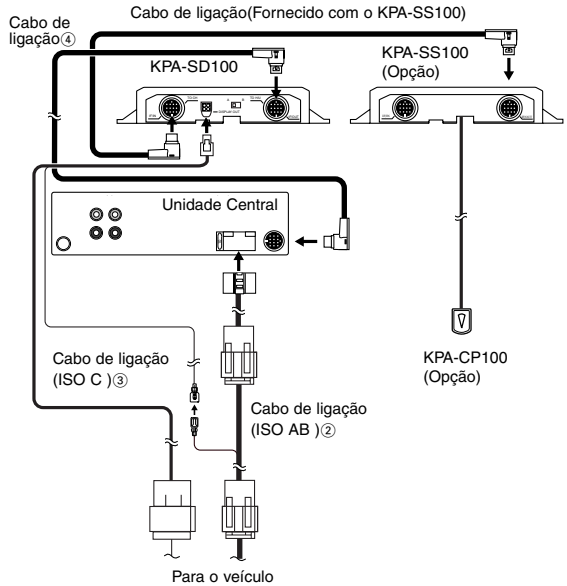


## Ligação à Unidade Central

### Ligação apenas do KPA-SD100

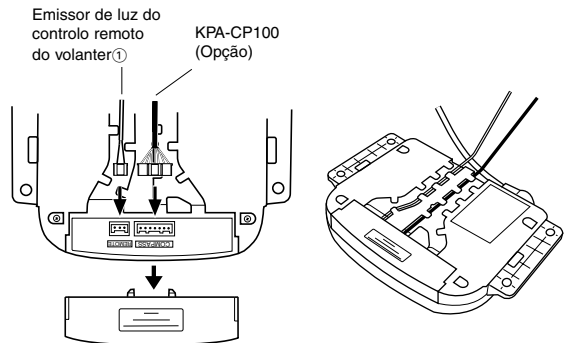


### Ligação do KPA-SD100 e do KPA-SS100



### Ligações para emissor de luz do controlo remoto, etc.

1. Remova a cobertura do conector.
2. Ligue cada conector.
3. Quando tiver terminado de ligar os conectores necessários, coloque a tampa novamente no seu lugar.

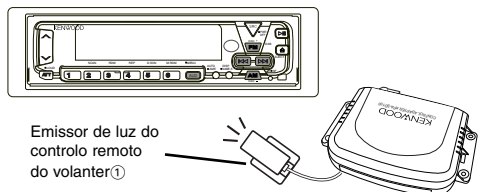


### Instalação do emissor de luz do controlo remoto

O objectivo do emissor de luz do controlo remoto é transmitir o sinal do controlo remoto do volante para a unidade central. Instale-o numa posição em que a unidade central possa detectar o sinal.

#### ⚠ CUIDADO

Instale o emissor de luz do controlo remoto de forma a que o cabo não roce contra o encaixe, pois isto poderia danificar o cabo.

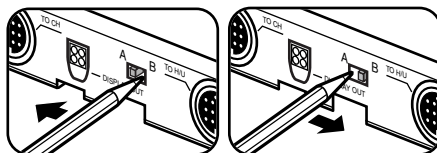


### Interruptor selector de mostrador no mostrador de tipo Opel

- Regule em A no caso de mostrador de matriz de 5 x 7 pontos.
  - Regule em B no caso de mostrador de 14 segmentos.
- A regulação de fábrica é "A".

#### ▲CUIDADO

Se regular incorrectamente o interruptor, no mostrador aparecerão aspas entre os minutos e os segundos se o mostrador do seu carro for de matriz de pontos 5 x 7, ou, se o mostrador for um de 14 segmentos, nada aparecerá entre os minutos e os segundos. Se isto acontecer, verifique a regulação do interruptor.



### Com respeito à exibição quando o KPA-SS100 está conectado.

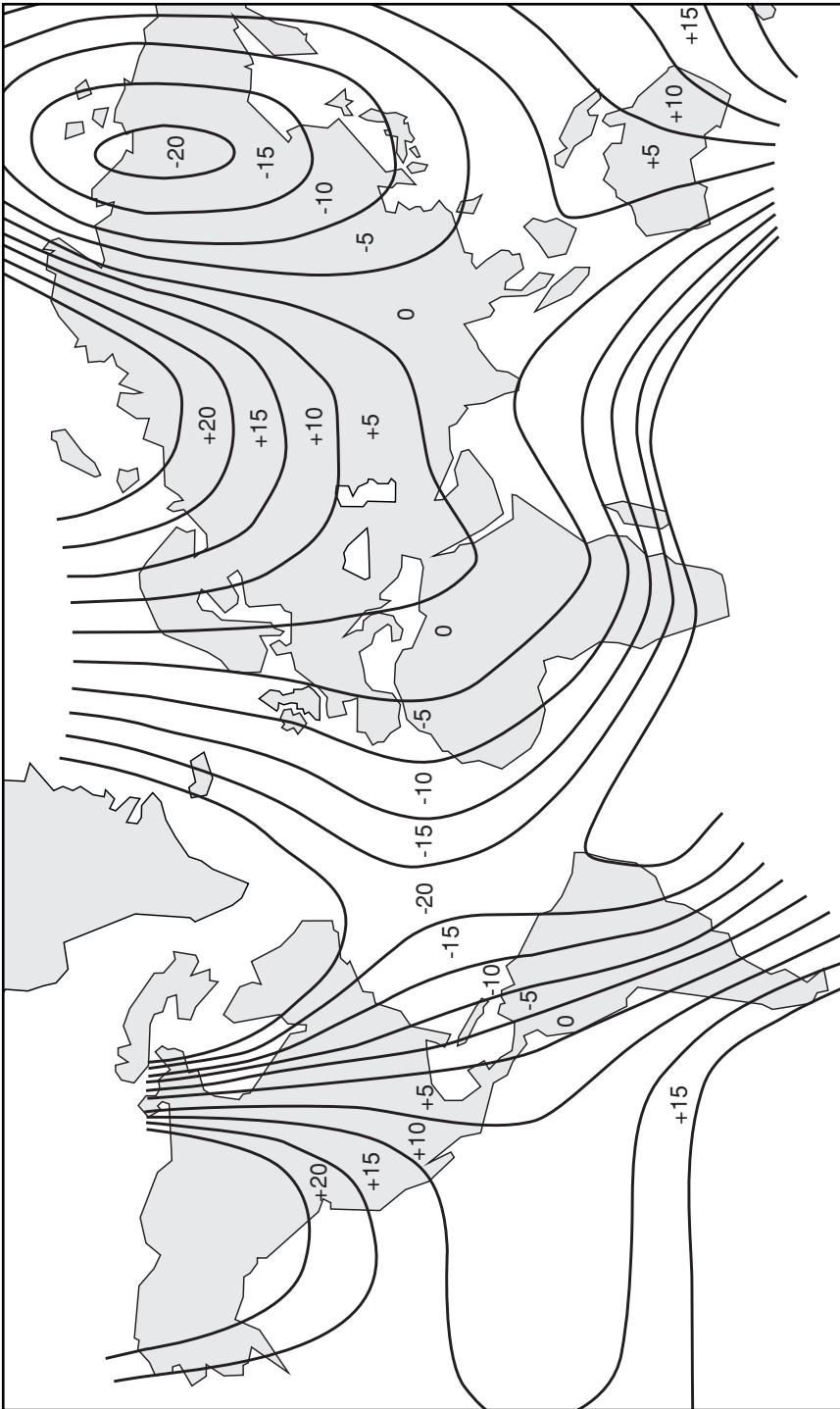
Para o mostrador Opel com 14 segmentos, o ponto decimal não é exibido para a exibição da voltagem e exibições de ângulo.

## Tabela de controlo remoto do volante

Ligue este produto, e as operações da unidade central correspondentes às operações de controlo remoto do volante Opel são as seguintes.

Botão \ Fonte	Modo Sintonizador	Modo Fita	Modo CD,MD	Modo Carregador de Discos
○	Comutação de Fonte	Comutação de Fonte	Comutação de Fonte	Comutação de Fonte
+	Aumentando o Volume	Aumentando o Volume	Aumentando o Volume	Aumentando o Volume
-	Diminuindo o Volume	Diminuindo o Volume	Diminuindo o Volume	Diminuindo o Volume
▽	Sintonizar para Cima ■:Interruptor FM	DPSS para rebobinar ■:Avanço Rápido	Faixa para Cima	Faixa para Cima ■:Disco para Cima
△	Sintonizar para Baixo ■:Interruptor AM	DPSS para avançar ■:Rebobinar	Faixa para Baixo	Faixa para Baixo ■:Disco para Baixo
→	Atenuador ■:Modo Interruptor PTY	Atenuador ■:Programa	Atenuador ■:Reproduzir/Pausa	Atenuador ■:Reproduzir/Pausa
Botão \ Fonte	Modo DAB	Modo Aux	Modo Tudo Desligado	
○	Comutação de Fonte	Comutação de Fonte	Comutação de Fonte	
+	Aumentando o Volume	Aumentando o Volume	_____	
-	Diminuindo o Volume	Diminuindo o Volume	_____	
▽	Interruptor Serviço ■:Interruptor Banda	_____	_____	
△	Interruptor Serviço ■:Interruptor P/S	_____	_____	
→	Atenuador ■:Modo Interruptor PTY	Atenuador	_____	

■:Operação quando o botão for premdida durante 2 segundos ou mais



**Figure 1. Correction values by area / Figure 1. Valeurs de correction par région /  
Abbildung 1. Korrekturwerte durch Bereich / Figuur 1. Correctiewaarden per gebied /  
Figura 1. Valori di correzione per area / Figura 1. Valores de corrección por área /  
Figura 1. Valores de correção por área**

## Free Manuals Download Website

<http://myh66.com>

<http://usermanuals.us>

<http://www.somanuals.com>

<http://www.4manuals.cc>

<http://www.manual-lib.com>

<http://www.404manual.com>

<http://www.luxmanual.com>

<http://aubethermostatmanual.com>

Golf course search by state

<http://golfingnear.com>

Email search by domain

<http://emailbydomain.com>

Auto manuals search

<http://auto.somanuals.com>

TV manuals search

<http://tv.somanuals.com>