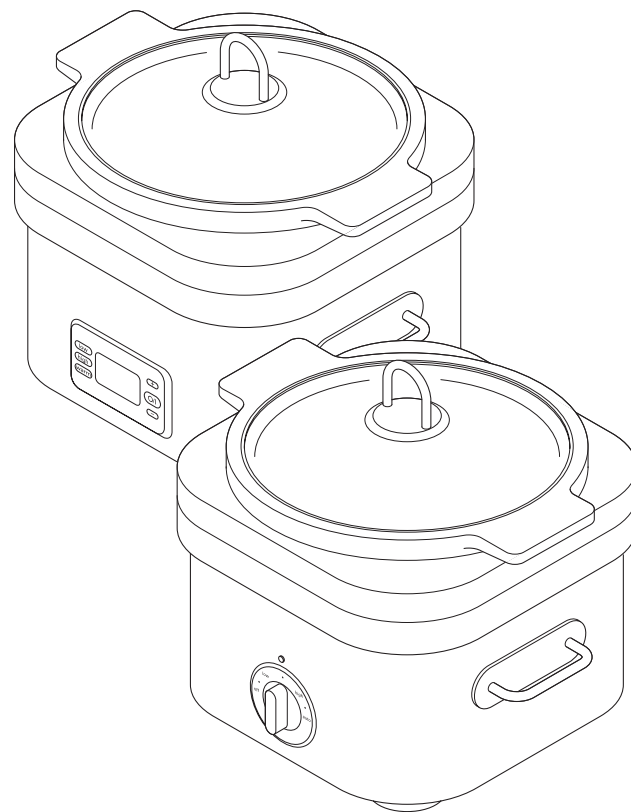


KENWOOD

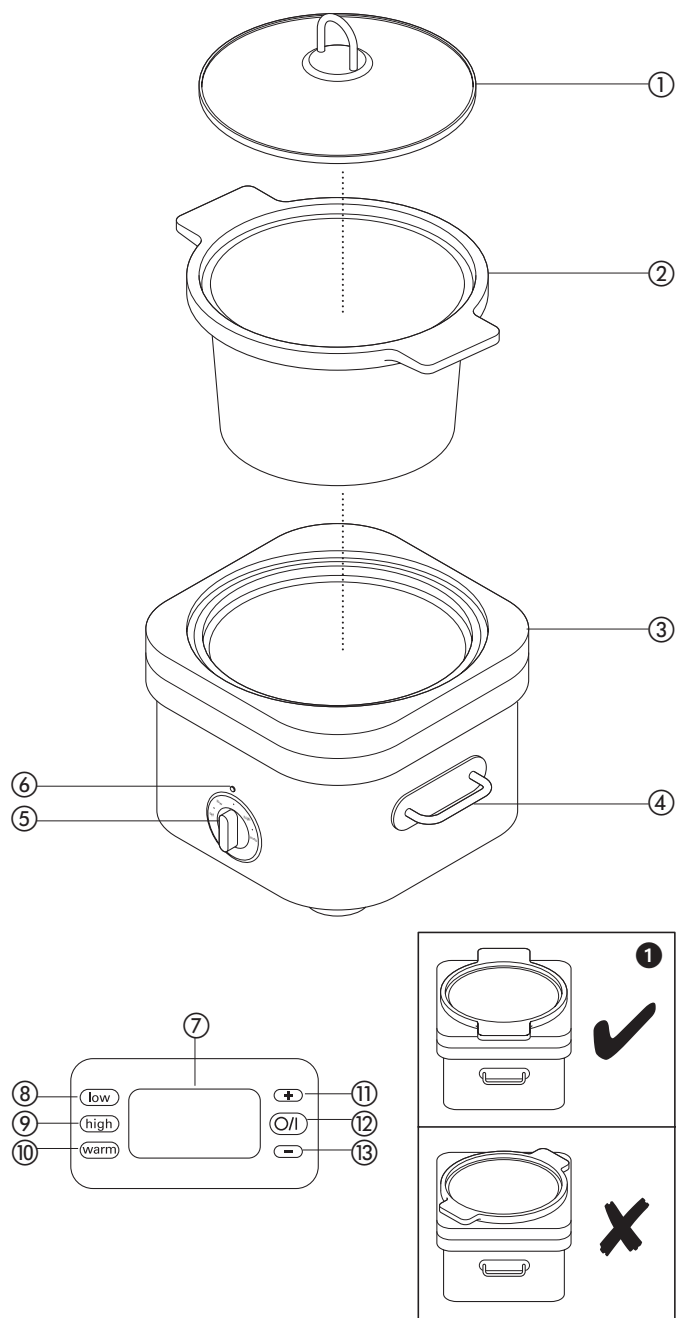


CP706

CP707

English	2 - 9
Nederlands	10 - 16
Français	17 - 24
Deutsch	25 - 33
Italiano	34 - 41
Português	42 - 49
Español	50 - 57
Dansk	58 - 64
Svenska	65 - 71
Norsk	72 - 78
Suomi	79 - 85
Türkçe	86 - 92
Česky	93 - 100
Magyar	101 - 108
Polski	109 - 116
Русский	117 - 125
Ελληνικά	126 - 134
عربي	١٤١ - ٥٣١





before using your Kenwood appliance

- Read these instructions carefully and retain for future reference.
- Remove all packaging and any labels.

safety

- This appliance produces steam which can burn you.
- Avoid getting burnt by steam coming out of the slow cooker, especially when removing the lid.
- Be careful when handling the slow cooker, all parts get hot in use. **Use oven gloves.**
- Avoid lifting the base unit during use and whilst the contents are still hot.
- Use extreme caution when moving the cooking pot if it contains hot contents.
- Never use a damaged slow cooker. Get it checked or repaired: see service and customer care'.
- Don't use the cooking pot if it is cracked or damaged in any way.
- Never put the base unit, cord or plug in water – you could get an electric shock. Keep the controls clean and dry.
- Never let the cord hang down where a child could grab it.
- Always unplug the slow cooker when not in use.
- Never put the appliance or components on a cooker or in an oven.
- Do not use the appliance on heat sensitive surfaces.
- Do not use the slow cooker near or below curtains or other combustible materials.
- Only use the slow cooker with the cooking pot supplied.
- Do not use outdoors.
- Do not cover the cooking pot with anything other than the lid supplied.

- This appliance is not intended for use by persons (including children) with reduced physical, sensory or mental capabilities, or lack of experience and knowledge, unless they have been given supervision or instruction concerning use of the appliance by a person responsible for their safety.
- Children should be supervised to ensure that they do not play with the appliance.
- Only use the appliance for its intended domestic use. Kenwood will not accept any liability if the appliance is subject to improper use, or failure to comply with these instructions.

food safety

- Cook meat (including poultry), fish and seafood thoroughly. And never cook them from frozen.
- Do not reheat food in the slow cooker.
- Always ensure food is piping hot before eating.
- Never partially cook meat and poultry and then refrigerate for subsequent cooking.
- Follow the cooking advice of the ingredient manufacturer in particular with dried beans. For example dried red kidney beans should be soaked overnight and then fast boiled on a cooker for at least 10 minutes in a pan of fresh cooking water to destroy toxins before straining and adding to the slow cooker.

before plugging in

- Make sure your electricity supply is the same as the one shown on the underside of your machine.
- This machine complies with European Economic Community Directive 89/336/EEC.

before using for the first time

- Wash the parts see 'care and cleaning'

key

- ① lid
 - ② cooking pot
 - ③ base unit
 - ④ handles
 - ⑤ control knob (CP706)
 - ⑥ indicator light (CP706)
- Model CP707**
- ⑦ display screen
 - ⑧ high setting button (High)
 - ⑨ low setting button (Low)
 - ⑩ keep warm setting button (Warm)
 - ⑪ timer increase button
 - ⑫ ON/OFF button
 - ⑬ timer decrease button

using your manual slow cooker (CP706)

- 1 Follow the recipe and place the ingredients into the cooking pot.
- 2 Place the cooking pot into the base unit. **Important - to avoid being burnt when removing the cooking pot, ensure it is placed into the base unit as shown in the illustrations ①, with the handles on the cooking pot in line with the handles on the base unit.**
- 3 Place the lid in position and plug the slow cooker into the power supply.
- 4 Select the desired setting ie high, low or keep warm. The indicator light will come on and cooking will begin.
- 5 Allow to cook for the desired time.
- 6 After cooking, switch off and unplug the slow cooker.

using your electronic slow cooker (CP707)

- 1 Follow the recipe and place the ingredients into the cooking pot.
- 2 Place the cooking pot into the base unit. **Important - to avoid being burnt when removing the cooking pot, ensure it is placed into the base unit as shown in the illustrations ①, with the handles on the cooking pot in line with the handles on the base unit.**
- 3 Place the lid in position.
- 4 Plug the slow cooker into the power supply.
- 5 Press the ON/OFF button to turn the slow cooker on. The display will read 0:00 and the screen will illuminate. The screen illumination will turn off if no buttons are pressed within 30 seconds.
- 6 Select the desired cooking mode by pressing the high, low or keep warm setting button. An icon will appear on the right of the screen and a dash will appear next to the selected cooking mode. Cooking will begin, indicated by the decimals flashing.
- 7 Allow to cook for the desired time.
- 8 Press the ON/OFF button once to stop cooking. Hold the ON/OFF button down for 5 seconds to turn the slow cooker off. Unplug the slow cooker after use.

setting the timer (CP707 only)

- 1 Follow steps 1-5 above.
- 2 Set the desired cooking time by pressing the timer increase (+) or timer decrease (-) buttons. The timer can be set in 30 minute increments up to a maximum of 10 hours for low and high settings but will default to a maximum of 2 hours for the keep warm setting.

- 3 Select the desired cooking mode by pressing the high, low or keep warm setting button. An icon will appear on the right side of the screen and a dash will appear next to the selected cooking mode. Cooking and the timer countdown will begin, indicated by the decimals flashing. The timer will countdown in 1 minute increments.

Note: if a cooking mode is not selected within 15 seconds, the timer will default back to 0:00 and will need to be re-set.

- 4 At the end of the cooking time on low or high settings, the slow cooker will default to the keep warm setting and count down from 2 hours. After 2 hours, heating will stop and the display will return to 0:00.
 - 5 Hold the ON/OFF button down for 5 seconds to turn the slow cooker off. Unplug the slow cooker after use.
- **Important: When cooking in the timer mode for extended periods of time make sure the food does not dry out or burn.**
 - If during cooking with the timer set, you wish to adjust the cooking time, simply press either the timer increase or timer decrease button.

setting guidelines

The following times are a guide only and will vary according to the type of food being cooked and quantities.

low setting will gradually cook food during the day and takes approximately 6-8 hours. This setting can also be used when cooking more delicate foods which would benefit from a slightly lower rate of cooking such as baked apples, poached fruit.

high setting will quicken up the cooking process compared to the Low setting with cooking times between 3-5 hours.

keep warm setting – Use this setting once food has been cooked to keep food warm. We recommend that food is not kept warm for longer than 2 hours after cooking and then switch off after use. Taking the lid off will reduce the temperature inside the cooking pot so keep this to a minimum and replace the lid quickly.

hints on using your slow cooker

- 1 Prepare and use ingredients at room temperature rather than straight from the refrigerator. However ingredients such as meat and fish should not be left out of the refrigerator for longer than is necessary, so remove from the refrigerator just to take the chill off and keep covered with cling film or plastic wrap. Do not prepare food in advance and then leave out of the refrigerator.
- 2 Cut root vegetables such as carrots, onions, swedes etc into fairly small pieces as they take longer to cook than meat.
- 3 Cut each type of ingredient into even sized pieces, this will assist with even cooking.
- 4 Browning the meat and sauteing the vegetables first in a separate pan will help to remove a certain amount of fat from the meat and also improve the appearance and flavour of both meat and vegetables. However this is not essential.

- 5 Do not lift the lid more than necessary during cooking as this will cause loss of heat and evaporation of liquid. It may be necessary depending upon how often the lid is removed and for how long, to allow an extra 20 minutes to half an hour cooking time.
- 6 Cooking always takes place in the cooking pot. Never place food directly into the base unit.
- 7 Never plunge the hot cooking pot into cold water immediately after use or pour boiling water into an empty cold cooking pot. Subjecting it to a sudden change in temperature could cause it to crack.
- 8 After several months of use the glaze on the cooking pot may become crackled: this is common with glazed stoneware and will not affect the efficiency of the slow cooker.
- 9 If you are adapting recipes from conventional cooking you may need to reduce the amount of liquid used. In slow cooking liquid does not evaporate as quickly as with conventional cooking although a certain amount of liquid is necessary to help the transfer of heat.
- 10 Never fill the slow cooker more than $\frac{2}{3}$ full.
- 11 Milk products, including cream, sour cream and yoghurt, should be added towards the end of cooking to help combat any curdling that might take place.
- 12 Frozen vegetables such as peas should be thawed and added during the last $\frac{1}{2}$ to 1 hour of cooking. This will ensure retention of colour and texture in the vegetables and temperature within the pot.
- 13 Best results are achieved when the ingredients are covered in liquid.
- 14 Trim excess fat from meat.
- 15 When cooking whole joints make sure they fit comfortably into the cooking pot and always add liquid. Turn part way through the cooking process.
- 16 Using hot stock will speed up the cooking process.
- 17 To thicken gravy etc., mix some cornflour with a little cold water to form a smooth paste. Add the mixture to the cooking pot towards the end of the cooking time. Cover and cook for additional time until the juices are bubbling and thickened.
- 18 Please note that some spitting around the lid may occur.

care and cleaning

Always switch off, unplug and allow the appliance to cool before cleaning.

base unit

Wipe the outside of the slow cooker with a damp cloth and then dry. Never immerse the base unit in water.

lid, cooking pot

Wash in warm soapy water, rinse and then dry thoroughly. Food that has stuck to the inside of the bowl can be removed with the aid of a soft bristled brush.

The cooking pot and lid can be washed in the dishwasher

service and customer care

- If the cord is damaged it must, for safety reasons, be replaced by KENWOOD or an authorised KENWOOD repairer.
- If you need help with:
- using your appliance or
 - servicing or repairs
- Contact the shop where you bought your slow cooker.

RECIPES

Timings are guidelines only, always make sure that foods are thoroughly cooked and piping hot before serving. Variations in quantities may also affect the cooking times.

potato, cheddar and chive soup

4 medium-large potatoes, peeled and sliced
1 large clove garlic, peeled
475ml/16 fl oz stock
220g/7 oz Cheddar cheese, grated
50g/2 oz fresh chives, chopped
salt and pepper

Place the potatoes, garlic and stock into the cooking pot. Cook on High for 2-3 hours. Remove the mixture and blend in a liquidiser to the desired consistency. Return the mixture back into the cooking pot and add the cheese, chives and seasoning. Leave on setting High for a further 30 minutes. Before serving, additional cheese and cream can be added.

beef pot roast with vegetables

15 ml/1 tbsp oil
900g/2 lb joint of topside
1 onion peeled and chopped
3 carrots peeled and cut into
1 cm/½ in thick slices
500ml/¼ pt hot beef stock

Heat the oil in a frying pan and then brown the beef on all sides. Add the vegetables and fry until lightly golden. Transfer the mixture to the cooking pot, add the hot stock and seasoning. Place the lid in position and cook on High for approximately 4 hours and Low for approximately 7-8 hours.

beef in beer

600g/1lb 5 oz lean casserole steak cut into 1 in/2.5cm cubes
2 medium potatoes, each cut into eight pieces
1 large onion, cut into eight pieces
2-3 carrots, cut into 2cm/¾ in thick pieces
300ml/10½ fl oz beer
200ml/7 fl oz beef stock
20ml/1 tbsp fresh parsley, chopped
25g/1 oz bunch of thyme, stalks removed
20-30ml/1-2 tbsp cornflour
salt and pepper

Place all the ingredients into the cooking pot then cook on High for approximately 5½ hours or Low for approximately 7-8 hours. Mix the cornflour with a little cold water to form a smooth paste. Remove the lid and add the mixture to the cooking pot and stir well. Re-cover and cook for additional time until the juices are bubbling and slightly thickened.

bolognaise sauce

Use as a base for Spaghetti Bolognaise or Lasagne

*15ml/1 tbsp oil
1 large onion, chopped
5 rashers streaky bacon, chopped
650g/1 lb 7 oz lean minced beef
1 x 454g tin chopped tomatoes
1 clove garlic, peeled and crushed
1 level tbsp/15ml tomato puree or
to taste
salt and pepper
150g/5 oz mushrooms, finely
chopped*

Heat the oil in a large frying pan and fry the onion until golden brown and then transfer to the cooking pot. Add the bacon to the frying pan and fry that off and add to the cooking pot. Fry the meat until browned, add the chopped tomatoes and bring the mixture to the boil and then transfer to the cooking pot. Place the remaining ingredients in the cooking pot. Cook on High for approximately 3-4 hours or Low for approximately 6-7 hours

coq au vin

*150g/5 oz bacon, diced
1 large onion, chopped
1 clove garlic crushed
300g/10 oz button mushrooms,
thickly sliced
4 boneless chicken breasts
275ml/10 fl oz red wine
375ml/13 fl oz hot chicken stock
salt and pepper
cornflour (optional)*

Place all the ingredients into the slow cooker. Cover and cook on High for 4 hours or Low for approximately 6-7 hours.

If desired, thicken the juices with some cornflour mixed to a smooth paste with water. Remove the lid and add the mixture to the cooking pot and stir well (if necessary remove the chicken breasts and keep warm whilst adding the cornflour). Re-cover and cook for additional time until the juices are bubbling and slightly thickened.

chicken and tarragon casserole

15g/½ oz butter
1 tbsp/15ml oil
4 chicken breasts
1 onion finely chopped
150ml/5 fl oz dry white wine
150ml/5 fl oz hot chicken stock
4 sprigs tarragon
50ml/2 fl oz double cream
salt and pepper
1 tbsp/15ml cornflour (approx)

Heat the butter and oil in a frying pan. Add the chicken pieces and brown on both sides. Transfer the chicken to the cooking pot. Fry the onion and place in the cooking pot with the wine, stock, 2 sprigs of tarragon and seasoning. Cover with the lid and cook on High for approximately 3 hours or Low for approximately 6 hours. At the end of the cooking time, remove the chicken pieces and keep warm. Mix the cornflour with some water to form a smooth paste and add to the slow cooker with the cream, stir well. Return the chicken pieces to the cooking bowl, replace the lid and allow to cook for additional time until the mixture thickens. At completion, finely chop the remaining tarragon and add to the cooking pot. Serve immediately.

baked apples

3 Cooking apples (choose ones of a suitable size to fit inside the cooking pot)
75g/2½ oz mixed dried fruit
2.5ml/½ level tsp cinnamon
25g/1oz soft brown sugar
75ml/2½ fl oz cold water

Wash and core the apples, then using a sharp knife make a slit in the skin around the middle of each one. Place the apples in the cooking pot. Combine the fruit, cinnamon and sugar then fill the centre of each apple with the mixture. Add the water and put the lid in position. Cook on Low for approximately 2-4 hours (this will depend upon the size and variety of the apples).

rice pudding

75g/3oz short grain or pudding rice
50g/2oz caster sugar
1 litre/1¾ pts milk
25g/1oz butter
ground nutmeg

Place the rice, sugar and milk into the cooking pot and stir well. Top with shavings of butter and sprinkle with nutmeg. Put the lid in position and cook on High for approximately 2-3 hours or Low for 4-5 hours. After 1 hour stir the contents of the cooking pot and once again during cooking.

apple chutney

*Piece of root ginger about
1cm/½ inch square
7.5ml/1½ tsp pickling spice
700g/1½lb prepared sliced cooking
apples eg Bramleys
100g/3½oz sultanas
100g/3½oz finely chopped onion
1 small clove garlic, peeled and
crushed
150g/5oz dark brown sugar
150ml/5 fl oz malt vinegar*

Tie the root ginger and pickling spice into a small piece of muslin.

Place all the ingredients into the cooking pot and stir well.

Place the lid in position and cook on Low for approximately 8 hours. At the end of this time, remove the lid, stir the ingredients then turn to High and allow the mixture to boil for a further 30–60 minutes or until the required consistency has been achieved. Cool slightly and place in clean jars and cover immediately.

Makes about 2lb

Vouw voor het lezen a.u.b. de voorpagina met illustraties uit

voordat u uw Kenwood-apparaat gebruikt:

- Lees deze instructies zorgvuldig door en bewaar ze voor toekomstig gebruik.
- Verwijder alle verpakking en labels.

veiligheid

- Dit apparaat produceert stoom. Pas op dat u zich niet verbrandt.
- Pas op dat u zich niet verbrandt aan de stoom die uit de slowcooker komt, vooral wanneer u het deksel verwijdert.
- Ga voorzichtig om met de sudderpan. Alle delen worden heet tijdens gebruik. **Gebruik a.u.b. ovenhandschoenen.**
- Til de basiseenheid niet op terwijl het apparaat in gebruik is en de inhoud nog heet is.
- Wees uiterst voorzichtig als u de kookpot verplaatst als de inhoud heet is.
- Gebruik nooit een beschadigde sudderpan. Laat de pan nakijken en repareren: zie 'onderhoud en klantenservice'.
- De kookpot niet gebruiken als deze gebarsten of beschadigd is.
- Zorg ervoor dat de basiseenheid, het snoer of de stekker nooit met water in contact komen – dit kan leiden tot een elektrische schok. Houd de bedieningsknoppen schoon en droog.
- Laat het snoer nergens hangen waar het in aanraking kan komen met kinderen.
- Haal altijd de stekker uit het stopcontact wanneer u de sudderpan niet gebruikt.
- Plaats het apparaat, of delen ervan, nooit in een koker of oven.
- Gebruik het apparaat niet op een hittegevoelige ondergrond.
- Gebruik de sudderpan niet in de buurt van gordijnen of andere ontvlambare materialen.

- De slowcooker uitsluitend gebruiken met de bijgeleverde kookpot.
- Niet buiten gebruiken.
- De kookpot alleen met het bijgeleverde deksel afdekken.
- Dit apparaat is niet bedoeld voor gebruik door personen (inclusief kinderen) met verminderde lichamelijke, zintuiglijke of geestelijke vermogens of gebrek aan ervaring en kennis, tenzij ze toezicht of instructies over het gebruik van het apparaat hebben gekregen van de persoon die verantwoordelijk is voor hun veiligheid.
- Op kinderen moet toezicht gehouden worden om er zeker van te zijn dat ze niet met het apparaat spelen.
- Gebruik het apparaat alleen voor het huishoudelijke gebruik waarvoor het is bedoeld. Kenwood kan niet aansprakelijk worden gesteld in het geval dat het apparaat niet correct is gebruikt, of waar deze instructies niet worden opgevolgd.

voedselveiligheid

- U dient vlees (inclusief gevogelte), vis en zeevruchten altijd voldoende koken. Deze producten nooit bevroren koken.
- De sudderpan is niet geschikt voor het opnieuw opwarmen van voedsel.
- Zorg er altijd voor dat het voedsel volledig gaar is voordat u het eet.
- Vlees en gevogelte dienen nooit gedeeltelijk te worden gekookt en dan te worden ingevroren om het later weer op te warmen.
- Volg altijd het kookadvies op van de fabrikant van de ingrediënten, in het bijzonder voor gedroogde bonen. Gedroogde rode nierboontjes, bijvoorbeeld, dienen 's nachts te worden geweekt en dan snel voor minimaal 10 minuten te worden gekookt in een pan met vers kookwater. Dit alles om schadelijke

stoffen te verwijderen en beschadiging van uw sudderpan te voorkomen, voordat u de boontjes in de pan doet.

voordat u de stekker insteekt

- Zorg ervoor dat u dezelfde stroomtoevoer gebruikt als op de onderzijde van uw apparaat is aangegeven.
- Dit apparaat is in overeenstemming met Richtlijn 89/336/EEG van de Europese Economische Gemeenschap.

voordat u het apparaat voor de eerste keer gebruikt

- Was alle onderdelen (zie onderhoud en reiniging)

overzicht

- ① deksel
- ② sudderpan
- ③ basiseenheid
- ④ handvaten
- ⑤ bedieningsknop (CP706)
- ⑥ indicatielampje (CP706)

Model CP707

- ⑦ weergavevenster
- ⑧ knop voor hoge stand (High)
- ⑨ knop voor lage stand (Low)
- ⑩ warmhoudknop (Warm)
- ⑪ timer knop omhoog
- ⑫ AAN/UIT-knop
- ⑬ timer knop omlaag

uw handmatige slowcooker gebruiken (CP706)

- 1 Volg het recept en plaats de ingrediënten in de pan.
- 2 Zet de kookpot op de basiseenheid. **Belangrijk – om te voorkomen dat u zich brandt bij het verwijderen van kookpot, dient u ervoor te zorgen dat hij op de basiseenheid geplaatst is zoals afgebeeld is in de**

illustraties ①, met de handvaten van de kookpot recht boven de handvaten van de basiseenheid.

- 3 Zet het deksel op de pot en steek de stekker van de slowcooker in het stopcontact.
- 4 Selecteer de gewenste stand, d.w.z. hoog, laag of warmhouden. Het indicatielampje gaat aan en het kookproces begint.
- 5 Laat alles voor de benodigde tijd koken.
- 6 Na het koken, het apparaat uitzetten en de stekker uit het stopcontact verwijderen.

uw elektronische slowcooker gebruiken (CP707)

- 1 Volg het recept en doe de ingrediënten in de kookpot.
- 2 Zet de kookpot op de basiseenheid. **Belangrijk – om te voorkomen dat u zich brandt bij het verwijderen van kookpot, dient u ervoor te zorgen dat hij op de basiseenheid geplaatst is zoals afgebeeld is in de illustraties ①, met de handvaten van de kookpot recht boven de handvaten van de basiseenheid.**
- 3 Leg het deksel op de pan.
- 4 Steek de stekker van de slowcooker in het stopcontact.
- 5 Druk op de AAN/UIT-knop om de slowcooker aan te zetten. Op het venster wordt 0:00 weergegeven en het scherm wordt verlicht. De verlichting van het scherm gaat uit als binnen 30 seconden geen knop wordt ingedrukt.
- 6 Selecteer de gewenste kookmodus door op de knop voor hoog, laag of warmhouden te drukken. Aan de rechterkant van het scherm

verschijnt een pictogram en naast de geselecteerde kookmodus wordt een streepje weergegeven. Het kookproces begint, zoals aangegeven door de knipperende decimalen.

- 7 Laat het gerecht de gewenste tijd koken.
- 8 Druk eenmaal op de AAN/UIT-knop om het kookproces te stoppen. Houd de AAN/UIT-knop 5 seconden ingedrukt om de slowcooker uit te schakelen. Haal de stekker na gebruik uit het stopcontact.

de timer instellen (alleen CP707)

- 1 Voer stap 1 tot en met 5 uit.
- 2 Stel de gewenste kooktijd in door op de knop timer omhoog (+) of timer omlaag (-) te drukken. De timer kan ingesteld worden in stappen van 30 minuten tot maximaal 10 uur voor de lage en de hoge stand, maar wordt standaard op 2 uur ingesteld voor de warmhoudstand.
- 3 Selecteer de gewenste kookmodus door op de knop voor hoog, laag of warmhouden te drukken. Aan de rechterkant van het scherm verschijnt een pictogram en naast de geselecteerde kookmodus wordt een streepje weergegeven. Het kookproces begint en de timer begint terug te tellen, zoals aangegeven door de knipperende decimalen. De timer telt in stappen van 1 minuut terug.
NB: Als binnen 15 seconden geen kookmodus geselecteerd wordt, gaat de timer standaard terug naar 0:00 en moet de timer opnieuw ingesteld worden.
- 4 Aan het eind van de kooktijd op de lage of hoge stand, gaat de slowcooker standaard naar de warmhoudstand en begint vanaf 2 uur terug te tellen. Na 2 uur stopt

het warmhouden en keert het venster terug naar 0:00.

- 5 Houd de AAN/UIT-knop 5 seconden ingedrukt om de slowcooker uit te schakelen. Haal de stekker na gebruik uit het stopcontact.
- **Belangrijk: Als u het apparaat langere tijd in de timermodus gebruikt, dient u ervoor te zorgen dat het voedsel niet uitdroogt of verbrandt.**
 - Als u tijdens het koken met ingestelde timer de kooktijd wilt bijstellen, drukt u gewoon op de knop timer omhoog of timer omlaag.

aanbevolen instellingen

De volgende tijden zijn slechts een richtlijn en zijn afhankelijk van het type en de hoeveelheid voedsel die bereid wordt.

In de **lage (low) stand** wordt het voedsel geleidelijk overdag gedurende ongeveer 6-8 uur gekookt. Deze stand kan ook gebruikt worden wanneer u delicatere gerechten bereidt die profijt hebben van een enigszins langzamer kookproces, zoals gebakken appels of gepocheerd fruit.

In de **hoge (high) stand** wordt het kookproces vergeleken met de lage stand versneld, met een kooktijd van 3 tot 5 uur.

warmhoudstand (keep warm)
– gebruik deze stand wanneer het voedsel klaar is en warmgehouden moet worden. We raden u aan voedsel na de bereiding niet langer dan 2 uur warm te houden en het apparaat na gebruik uit te zetten. Als u het deksel van de pan haalt, gaat de temperatuur in de pot omlaag; doe dit dus zo min mogelijk en leg het deksel vlug weer op de pot.

tips voor het gebruiken van uw sudderpan

- 1 Gebruik en maak de ingrediënten klaar bij kamertemperatuur in plaats van rechtstreeks uit de koelkast. Ingrediënten zoals vlees en vis dienen niet langer buiten de koelkast te blijven dan nodig is. Neem deze dus alleen uit de koelkast om de koude enigszins te laten afnemen en bedek ze met aluminium folie of keukenfolie. Bewaar voedsel dat van te voren bereid is niet buiten de koelkast.
- 2 Snij de wortelgroenten, zoals wortels, uien, koolraap, etc. in kleine stukjes, aangezien deze meer tijd dan nodig hebben dan vlees om te koken.
- 3 Snij alle ingrediënten in even grote stukjes. Dit maakt het koken makkelijker.
- 4 Bruin het vlees en sauteer de groenten eerst in een andere pan. Dit zorgt voor minder vet op het vlees, alsook dat het vlees en de groenten er beter uit zien en smaken. Dit is echter niet noodzakelijk.
- 5 Verwijder de deksel niet vaker dan nodig is tijdens het koken, aangezien dit tot hitteverlies leidt en verdamping van sappen. Afhankelijk van hoe vaak de deksel wordt verwijderd, en voor hoe lang, kan het zo zijn dat een extra kooktijd van 20 tot 30 minuten is vereist.
- 6 Het koken dient altijd in de pan te gebeuren. Plaats het voedsel nooit direct in de basiseenheid.
- 7 Dompel de hete pan na het koken nooit meteen onder in koud water en schenk nooit kokend water in een lege en koude pan. Deze plotselinge temperatuurverandering kan leiden tot barsten in de sudderpan.
- 8 Na enkele maanden kan het zo zijn dat de glans van de pan enigszins vervaagd. Dit is normaal voor glazen kookapparaten en heeft geen invloed op de effectieve werking van uw sudderpan.
- 9 Wanneer u conventionele kookrecepten aanpast, kan het zo zijn dat u minder vocht nodig heeft. Tijdens het sudderen verdampen vocht en sappen niet zo snel als met conventionele kookwijzen, ofschoon een bepaalde hoeveelheid vocht nodig is voor de hitteoverdracht.
- 10 Vul de sudderpan nooit voor meer dan tweederde.
- 11 Melkproducten, inclusief (slag)room, zure room en yoghurt, dienen aan het einde van de kooktijd te worden toegevoegd. Dit ter voorkoming van klontering.
- 12 Bevroren groenten, zoals erwten, moeten eerst ontdooid worden en in het laatste ½-1 uur toegevoegd worden. Hierdoor blijft de kleur en textuur van de groenten beter bewaard en houdt u de temperatuur in de pot in stand.
- 13 De beste resultaten bereikt u wanneer uw ingrediënten in vocht zijn ondergedompeld.
- 14 Verwijder overtollige vetrandjes van het vlees.
- 15 Wanneer u hele braadstukken kookt, zorg er dan voor dat deze gemakkelijk in de pan passen en voeg altijd wat vocht toe. Halverwege het koken omdraaien.
- 16 Het gebruik van hete bouillon versnelt het kookproces.
- 17 Om de saus te verdikken, meng een kleine hoeveelheid maïsmeel met wat koud water. Voeg het mengsel toe aan de pan tegen het einde van de kooktijd. Plaats de deksel op de pan en kook totdat de saus bubbelt en dikker is.
- 18 Let op dat het voedsel kan spatten rondom het deksel.

onderhoud en reiniging

Voordat u met reinigen begint, zet het apparaat altijd uit, haal de stekker uit het stopcontact en laat het volledig afkoelen.

basiseenheid

Veeg de buitenkant van het apparaat eerst af met een vochtige doek en laat het daarna opdrogen. Breng de basiseenheid nooit in contact met water (onderdompeling, etc.).

deksel, pan

Was in een warm sopje, spoelen en dan volledig afdrogen. Aangekoekt voedsel aan de binnenkant van de schaal kan met een zachte borstel worden verwijderd.

De pan en de deksel kunnen in de vaatwasser worden gereinigd.

onderhoud en klantenservice

- Als het snoer beschadigd is, moet het om veiligheidsredenen door KENWOOD of een door KENWOOD geautoriseerd reparatiebedrijf vervangen worden.

Als u hulp nodig hebt met:

- het gebruik van uw apparaat of
 - onderhoud en reparatie
- kunt u contact opnemen met de winkel waar u het apparaat gekocht hebt.

RECEPTEN

De kooktijden zijn slechts richtlijnen; zorg dat het voedsel door en door heet is voordat u het opdient. De kooktijd kan ook beïnvloed worden door de hoeveelheid voedsel.

soep van aardappelen, cheddar en bieslook

*4 middelgrote aardappelen,
geschild en in plakjes gesneden
1 teentje gepelde knoflook
475ml/16 fl oz bouillon
220g/7oz geraspte cheddarkaas
50g/2oz verse gesnipperde bieslook
zout en peper*

Doe de aardappelen, knoflook en bouillon in de kookpot. Op hoge (high) stand 2-3 uur koken. Haal het mengsel uit de pan en verwerk ze in de blender tot de gewenste consistentie. Doe het mengsel weer terug in de kookpot en voeg de kaas, bieslook, peper en zout toe. Laat het geheel nog 30 minuten op de hoge (high) stand koken. Voor het opdienen kunt u nog extra kaas en room toevoegen.

rundvleesstoefpot met groenten

*15ml/1 eetlepel olie
900g/2lb braadstuk van
bovenlichaam
1 gepelde en gesnipperde ui
3 geschildte wortels, in plakjes
gesneden van 1cm/1/2inch
500ml/3/4 pts hete
rundvleesbouillon*

Verwarm de olie in een koekenpan en bruin het rundvlees aan alle kanten. Voeg de groenten toe en bak tot alles licht goudbruin van kleur is. Doe het mengsel in de kookpot, voeg de hete bouillon toe en breng op smaak met peper en zout. Leg het deksel op de pan en kook het gerecht op hoge (high) stand gedurende ongeveer 4 uur en vervolgens 7-8 uur op de lage (low) stand.

rundvlees in bier

600g/1lb 5oz magere
braadschotelsteak, in blokjes
gesneden van 2,5m/1inch
2 middelgrote aardappelen, elk in
achten gesneden
1 grote ui, in achten gesneden
2-3 wortels, in plakjes gesneden
van 2cm/3/4inch
300ml/10 1/2 fl oz bier
200ml/7 fl oz rundvleesbouillon
20ml/1 eetlepel gesneden verse
peterselie
25g/1oz bundeltje tijm, met de
steeltjes verwijderd
20-30ml/1-2 eetlepels maïsmeel
zout en peper

Doe alle ingrediënten in de kookpan en kook ze ongeveer 5½ uur op de hoge (high) stand en vervolgens ongeveer 7-8 uur op de lage (low) stand. Meng het maïsmeel met een beetje koud water tot een gladde pasta. Haal het deksel van de pan en voeg het mengsel toe aan de kookpot; goed doorroeren Leg het deksel weer op de pan tot de sappen borrelen en de saus enigszins gebonden is.

bolognaisesaus

Gebruik als basis voor spaghetti bolognaise of lasagne

15ml/1 eetlepel olie
1 grote ui, gehakt
5 plakjes gesneden katenspek
650g/1 lb 7oz mager
rundvleesgehakt
1 x 454g blik gesneden tomaten
1 teentje gepelde en geperste
knoflook
15ml/1 volle eetlepels tomatenpuree
of naar smaak
zout en peper
150g/5oz fijn gesneden
champignons

Verhit de olie in een grote koekenpan en bak de uien tot ze goudbruin zijn; breng ze over naar de kookpot. Voeg het bacon toe aan de koekenpan en bak dat uit; voeg het toe aan de kookpot. Bak het vlees tot het bruin is, voeg de gehakte tomaten toe en breng het mengsel aan de kook; breng het vervolgens over naar de kookpot. Doe de overige ingrediënten in de kookpot. Kook het gerecht 3-4 uur op de hoge stand en vervolgens 6-7 uur op de lage stand.

coq au vin

150g/5oz in blokjes gesneden spek
1 grote ui, gehakt
1 teentjes geperste knoflook
300g/10oz dik gesneden
champignons
4 kipfiletjes
275ml/10 fl oz rode wijn
375ml/13 fl oz hete kippenbouillon
zout en peper
maïsmeel (optioneel)

Plaats alle ingrediënten in de sudderpan. Leg het deksel op de pan en laat 4 uur op de hoge (high) stand koken en vervolgens ongeveer 6-7 uur op de lage (low) stand. Bind de sappen indien gewenst met een beetje maïsmeel dat met water tot een gladde pasta aangelengd is. Haal het deksel van de pan en voeg het mengsel toe aan de kookpot (verwijder zo nodig de kippenborst; houd deze warm terwijl u het maïsmeel toevoegt). Leg het deksel weer op de pan tot de sappen borrelen en de saus enigszins gebonden is.

kip en dragon braadschotel

15g/1/2oz boter
15ml/1 eetlepel/ olie
4 kipfiletjes
1 fijngehakte ui
150ml/5 fl oz droge witte wijn
150ml/5 fl oz hete kippen bouillon
4 takjes dragon
50ml/2 fl oz slagroom of crème
fraîche
zout en peper
1 eetlepel/15 ml maïsmeel (ongeveer)

Verwarm de boter en de olie in een koekenpan. Voeg de stukken kip toe en laat ze aan beide kanten bruin worden. Breng de kip over naar de kookpot. Bak de uien en doe ze in de kookpot samen met de wijn, bouillon, 2 takjes dragon en peper en zout. Leg het deksel op de pan en kook het gerecht op hoge stand gedurende ongeveer 3 uur en vervolgens ongeveer 6 uur op de lage stand. Verwijder de stukken kip aan het eind van de kooktijd en houd ze warm. Meng het maïsmeel met een beetje water tot een gladde pasta en voeg dit aan de slowcooker toe met de room; roer alles goed door. Leg de kip weer in de kookpot, zet het deksel erop en laat het gerecht nog wat langer koken tot het mengsel gebonden is. Hak de rest van de dragon fijn en voeg het aan het einde van de kooktijd toe aan de kookpot. Onmiddellijk serveren

gepofte appels

3 kookappels (groot genoeg om in de pan te passen)
75g/2 1/2oz mix van gedroogd fruit
2.5ml/1/2 volle eetlepel kaneel
25g/1oz zachte bruine suiker
75ml/2 1/2 fl oz koud water

Was de appels en verwijder de klokhuizen. Plaats de appels in de pan. Meng het fruit met kaneel en suiker, en vul vervolgens de appels met dit mengsel. Doe het water in de pan en

plaats de deksel in de juiste positie. Kook op Lage (Low) voor ongeveer 2-4 uur (dit zal afhangen van de grootte en soort van appels).

rijstpudding

75g/3oz rijst met een korte korrel of dessertrijst
50g/2oz poedersuiker
1 liter/1 3/4 pts melk
25g/1oz boter
muskatnootpoeder

Doe de rijst, suiker en melk in de kookpot en roer goed door. Leg er geschaafde plakjes boter op en bestrooi met nootmuskat. Leg het deksel op de pan en kook het gerecht op hoge (high) stand gedurende ongeveer 2-3 uur en vervolgens 4-5 uur op de lage (low) stand. Roer de inhoud van de kookpot na ongeveer 1 uur en tijdens het koken nogmaals door.

appelchutney

Stukje gemberwortel van ongeveer 1cm/1/2inch bij 1cm/1/2inch
7.5ml/ inmaakkruiden
700g/1 1/2lb in schijfjes
voorgesneden kookappels bijv. Bramleys
100g/3 1/2oz rozijnen
100g/3 1/2oz fijngesneden ui
1 teentje gepelde en geperste knoflook
150g/5oz donkerbruine suiker
150ml/5 fl oz wijnazijn

Bind de gemberwortel en inmaakkruiden samen in een klein stukje mousseline. Plaats alle ingrediënten in de pan en roer stevig. Plaats het deksel in de juiste positie en kook op Lage (Low) voor ongeveer 8 uur. Aan het einde van deze kooktijd, verwijder de deksel, roer de ingrediënten, en zet de sudderpan dan op hoge (High) . Laat het mengsel nu voor 30-60 minuten koken of totdat de gewenste dikte is bereikt. Lichtelijk laten afkoelen, in schone potjes doen, en meteen bedekken. Goed voor ongeveer 2lb.

Veillez déplier les illustrations de la première page

avant d'utiliser votre appareil Kenwood

- Lisez et conservez soigneusement ces instructions pour pouvoir vous y référer ultérieurement.
- Retirez tous les éléments d'emballage et les étiquettes.

sécurité

- Cet appareil produit de la vapeur qui peut vous brûler.
- Veillez à ne pas vous brûler avec la vapeur dégagée par la cocotte mijoteuse, notamment lorsque vous retirez le couvercle.
- Soyez prudent lorsque vous manipulez la cocotte mijoteuse, car toutes les pièces s'échauffent durant l'utilisation. **Utilisez des gants isolants.**
- Évitez de soulever le socle pendant l'utilisation et lorsque le contenu est encore chaud.
- Soyez extrêmement prudent lorsque vous déplacez la cocotte mijoteuse alors qu'elle contient des aliments brûlants.
- Ne vous servez jamais d'une cocotte mijoteuse endommagée. Faites-la vérifier ou réparer : reportez-vous à la section « service après-vente ».
- N'utilisez pas la cocotte mijoteuse si elle est fissurée ou présente une quelconque détérioration.
- Ne placez jamais le socle, le cordon ou la fiche d'alimentation dans l'eau, sous peine de risquer alors de vous électrocuter. Maintenez toujours le bouton de commande dans un état propre et sec.
- Ne laissez jamais pendre le cordon de sorte qu'un enfant puisse le saisir.
- Débranchez toujours la cocotte mijoteuse lorsque vous ne l'utilisez pas.
- Ne placez jamais l'appareil ou les composants dans un cuiseur ou un four.

- N'employez pas l'appareil sur des surfaces sensibles à la chaleur.
- N'utilisez pas la cocotte mijoteuse à proximité ou sous des rideaux ou d'autres matériaux combustibles.
- Utilisez la cocotte mijoteuse exclusivement avec le récipient de cuisson fourni.
- N'utilisez pas l'appareil en extérieur.
- Utilisez exclusivement le couvercle fourni pour couvrir le récipient de cuisson.
- Cet appareil n'est pas destiné à être utilisé par des personnes (y compris des enfants) dont les capacités physiques, sensorielles ou mentales sont diminuées, ou qui ne disposent pas des connaissances ou de l'expérience nécessaires, à moins qu'elles n'aient été formées et encadrées pour l'utilisation de cet appareil par une personne responsable de leur sécurité.
- Les enfants doivent être surveillés afin qu'ils ne puissent pas jouer avec cet appareil.
- N'employez l'appareil qu'à la fin domestique prévue. Kenwood décline toute responsabilité dans les cas où l'appareil est utilisé incorrectement ou que les présentes instructions ne sont pas respectées.

sécurité alimentaire

- Faites bien cuire la viande (volailles incluses), le poisson et les fruits de mer. Décongelez à tout prix les produits avant de les cuire.
- Ne réchauffez pas des aliments dans la cocotte mijoteuse.
- Assurez-vous toujours que les aliments sont bouillants avant de les consommer.
- Ne faites pas cuire partiellement la viande et les volailles afin de les réfrigérer et d'en achever la cuisson par la suite.

- Suivez les conseils de cuisson fournis par le fabricant des aliments, notamment dans le cas des haricots secs. Il convient ainsi de laisser tremper les haricots rouges secs pendant une nuit puis de les faire bouillir pendant 10 minutes dans une casserole remplie d'eau de cuisson fraîche de manière à en détruire les toxines, avant de les égoutter et de les mettre dans la cocotte mijoteuse.

avant de brancher l'appareil

- Assurez-vous que l'alimentation électrique correspond aux indications figurant sur la face inférieure de l'appareil.
- Cet appareil est conforme à la directive 89/336/CEE de la Communauté économique européenne.

avant d'utiliser l'appareil pour la première fois

- Nettoyez les éléments, voir « entretien et nettoyage ».

légende

- ① couvercle
 - ② récipient de cuisson
 - ③ socle
 - ④ poignées
 - ⑤ bouton de commande (CP706)
 - ⑥ témoin lumineux (CP706)
- Modèle CP707**
- ⑦ affichage
 - ⑧ bouton de réglage élevé (High)
 - ⑨ bouton de réglage modéré (Low)
 - ⑩ bouton de maintien au chaud (Warm)
 - ⑪ bouton d'augmentation du programmeur
 - ⑫ bouton ON/OFF (marche/arrêt)
 - ⑬ bouton de diminution du programmeur

utilisation de la cocotte mijoteuse manuelle (CP706)

- 1 Suivez la recette et mettez les ingrédients dans le récipient de cuisson.
- 2 Placez le récipient de cuisson dans le socle. **Important – afin d'éviter tout risque de brûlure lors du retrait du récipient de cuisson, assurez-vous qu'il est placé dans le socle de la manière indiquée sur les illustrations ① : les poignées du récipient de cuisson doivent être alignées sur les poignées du socle.**
- 3 Installez le couvercle et branchez la cocotte mijoteuse sur l'alimentation électrique.
- 4 Sélectionnez le réglage souhaité (élevé, modéré, ou maintien au chaud). Le témoin lumineux s'allume et la cuisson commence.
- 5 Laissez cuire pendant la durée souhaitée.
- 6 Une fois la cuisson terminée, désactivez la cocotte mijoteuse et débranchez-la.

utilisation de la cocotte mijoteuse électronique (CP707)

- 1 suivez la recette et mettez les ingrédients dans le récipient de cuisson.
- 2 Placez le récipient de cuisson dans le socle. **Important – afin d'éviter tout risque de brûlure lors du retrait du récipient de cuisson, assurez-vous qu'il est placé dans le socle de la manière indiquée sur les illustrations ① : les poignées du récipient de cuisson doivent être alignées sur les poignées du socle.**

- 3 Installez le couvercle.
- 4 Branchez la cocotte mijoteuse sur l'alimentation électrique.
- 5 Appuyez sur le bouton ON/OFF pour mettre la cocotte mijoteuse sous tension. L'affichage indique 0:00 et l'écran s'allume. L'éclairage de l'écran s'éteint si aucun bouton n'est actionné dans un délai de 30 secondes.
- 6 Sélectionnez le mode de cuisson souhaité en appuyant sur le bouton de réglage élevé, modéré, ou maintien au chaud. Une icône apparaît sur la droite de l'écran et un tiret s'affiche à côté du mode de cuisson sélectionné. Les décimales clignotent, ce qui indique que la cuisson commence.
- 7 Laissez cuire pendant la durée souhaitée.
- 8 Appuyez une fois sur le bouton ON/OFF pour arrêter la cuisson. Maintenez le bouton ON/OFF enfoncé pendant 5 secondes pour éteindre la cocotte mijoteuse. Débranchez la cocotte mijoteuse après l'utilisation.

réglage du programmateur (CP707 uniquement)

- 1 Suivez les étapes 1 à 5 ci-dessus.
- 2 Réglez la durée de cuisson souhaitée en appuyant sur le bouton d'augmentation (+) ou de diminution (-) du programmateur. Le programmateur peut être réglé par incréments de 30 minutes, jusqu'à un maximum de 10 heures pour les réglages élevé et modéré. Toutefois, il sera réglé par défaut sur un maximum de deux heures pour le réglage de maintien au chaud.
- 3 Sélectionnez le mode de cuisson souhaité en appuyant sur le bouton de réglage élevé, modéré, ou maintien au chaud. Une icône apparaît sur la droite de l'écran et

un tiret s'affiche à côté du mode de cuisson sélectionné. Les décimales clignotent, ce qui indique que la cuisson et le décompte commencent. Le programmateur effectue le décompte par incréments d'une minute. Remarque : Si aucun mode de cuisson n'est sélectionné dans les 15 secondes, le programmateur revient par défaut sur 0:00 et doit être réinitialisé.

- 4 A la fin de la durée de cuisson en réglage élevé ou modéré, la cocotte mijoteuse se règle par défaut sur le mode de maintien au chaud et commence un décompte de deux heures. Lorsque les deux heures se sont écoulées, la chaleur est interrompue et l'affichage revient sur 0:00.
 - 5 Maintenez le bouton ON/OFF enfoncé pendant 5 secondes pour éteindre la cocotte mijoteuse. Débranchez la cocotte mijoteuse après l'utilisation.
- **Important : Lorsque vous utilisez le mode programmateur pendant de longues périodes, assurez-vous que les aliments ne sèchent ou ne brûlent pas.**
 - Si vous souhaitez ajuster la durée de cuisson pendant l'utilisation, alors que le programmateur est activé, appuyez simplement sur le bouton d'augmentation ou de diminution du programmateur.

instructions relatives aux réglages

Les durées suivantes sont uniquement données à titre indicatif et varient en fonction du type d'ingrédient cuisiné et des quantités utilisées.

le **réglage modéré (low)** permet de faire cuire progressivement les aliments au cours de la journée. La cuisson dure environ six à huit heures. Ce paramètre peut également être utilisé lors de la cuisson d'aliments plus délicats qui supportent mieux une cuisson moins intense (pommes cuites ou fruits pochés, par exemple).

le **réglage élevé (high)** accélère le processus de cuisson (par rapport au réglage modéré) dont la durée varie entre trois et cinq heures.

le **réglage de maintien au chaud (keep warm)** permet de conserver les aliments chauds une fois la cuisson terminée. Nous vous recommandons de ne pas garder les aliments au chaud pendant plus de deux heures une fois la cuisson terminée et de mettre ensuite l'appareil hors tension. Lorsque vous retirez le couvercle, la température à l'intérieur du récipient de cuisson diminue. Veillez donc à ne pas le soulever plus que nécessaire et à le replacer rapidement.

conseils relatifs à l'utilisation de la cocotte mijoteuse

- 1 Préparez et utilisez les ingrédients à la température ambiante (et non à la température du réfrigérateur). Des ingrédients tels que la viande et le poisson ne doivent cependant pas être sortis du réfrigérateur plus tôt que nécessaire. Sortez-les du réfrigérateur peu de temps avant leur utilisation et couvrez-les d'un film alimentaire ou d'un emballage plastique. Ne préparez pas les aliments à l'avance pour les laisser hors du réfrigérateur.
- 2 Coupez les légumes crus, tels que les carottes, les oignons, les rutabagas, etc., en petits morceaux pour faciliter leur cuisson qui est plus longue en effet que celle de la viande.
- 3 Découpez chaque type d'ingrédients en morceaux d'une même grosseur pour en assurer la cuisson uniforme.
- 4 En faisant d'abord revenir la viande et sauter les légumes dans une autre casserole, il est possible de dégraisser la viande et d'améliorer également l'aspect et le goût tant de la viande que des légumes. Cette opération préalable n'est pas indispensable néanmoins.
- 5 Ne soulevez pas le couvercle plus que nécessaire lors de la cuisson sous peine de dissiper la chaleur et d'évaporer le liquide. Suivant le nombre d'ouvertures du couvercle et leur durée, il peut être nécessaire de rajouter 20 à 30 minutes au temps de cuisson.
- 6 La cuisson doit toujours avoir lieu dans le récipient prévu à cette fin. Ne placez pas les aliments directement au fond du socle.
- 7 Ne plongez jamais le récipient de cuisson chaud dans de l'eau froide et ne versez jamais de l'eau bouillante dans un récipient de cuisson vide et froid. Si le récipient de cuisson est soumis à de brusques changements de température, il risque de se fissurer.
- 8 Après quelques mois d'utilisation, il est possible que le vernis du récipient de cuisson se craquelle : il s'agit d'un phénomène courant au niveau du grès verni. Ce phénomène n'affecte cependant pas les performances de la cocotte mijoteuse.

- 9 Si vous adaptez des recettes fondées sur une cuisson traditionnelle, il est possible que vous deviez réduire alors la quantité de liquide utilisé. La cuisson dans une cocotte mijoteuse n'entraîne pas une évaporation de liquide aussi rapide que lors de la cuisson traditionnelle bien qu'une certaine quantité de liquide soit requise pour assurer le transfert de chaleur.
- 10 Ne remplissez jamais la cocotte mijoteuse à plus des deux tiers de sa contenance.
- 11 Des produits laitiers, tels que de la crème, de la crème fraîche ou du yaourt, doivent être ajoutés en fin de cuisson pour empêcher qu'ils ne tournent.
- 12 Les légumes surgelés, tels que les petits pois, doivent être décongelés et ajoutés au cours de la dernière 1/2 heure ou de la dernière heure de cuisson. Cela permet d'assurer le maintien de la couleur et de la texture des légumes, et de la température du récipient de cuisson.
- 13 Pour des résultats optimaux, recouvrez les ingrédients de liquide.
- 14 Retirez l'excès de graisse de la viande.
- 15 Lors de la cuisson de morceaux entiers, assurez-vous qu'ils sont bien placés dans le récipient de cuisson et ajoutez toujours du liquide. Retournez-les en cours de cuisson.
- 16 L'utilisation d'un bouillon chaud accélère la cuisson.
- 17 Pour épaissir la sauce, etc., mélangez de la farine de maïs à un peu d'eau froide de manière à former une pâte lisse. Ajoutez le mélange au contenu du récipient vers la fin de la cuisson. Recouvrez et faites cuire encore un peu jusqu'à ce que le jus frémissse et s'épaississe.

18 Veuillez noter que des éclaboussures peuvent se produire autour du couvercle.

entretien et nettoyage

Avant de nettoyer l'appareil, veuillez à le mettre hors tension, à le débrancher et à le laisser refroidir.

socle

Nettoyez la partie extérieure de la cocotte mijoteuse à l'aide d'un chiffon humide et séchez-la.

Ne plongez jamais le socle dans l'eau.

couvercle et récipient de cuisson

Lavez le couvercle et le récipient de cuisson dans de l'eau savonneuse chaude, rincez-les et séchez-les bien. Les aliments collés à l'intérieur du récipient peuvent en être retirés à l'aide d'une brosse à poils doux. Le récipient de cuisson et le couvercle peuvent être mis au lave-vaisselle.

service après-vente

- Si le cordon est endommagé, il doit être remplacé, pour des raisons de sécurité, par KENWOOD ou par un réparateur agréé KENWOOD.

Si vous avez besoin d'aide concernant :

- l'utilisation de votre appareil
 - l'entretien ou les réparations
- Contactez le magasin où vous avez acheté votre appareil.

RECETTES

Les durées sont uniquement données à titre indicatif. Veillez à ce que les aliments soient bien cuits et très chauds avant de servir. La modification des quantités peut également affecter les durées de cuisson.

soupe de pommes de terre au cheddar et à la ciboulette

4 moyennes-grosses pommes de terre, épluchées et coupées en tranches
1 grosse gousse d'ail, épluchée
475 ml de bouillon
220 g de cheddar, râpé
50 g de ciboulette fraîche, hachée
sel et poivre

Placez les pommes de terre, l'ail et le jus dans la cocotte mijoteuse. Faites cuire sur le réglage High (élevé) pendant 2-3 heures. Retirez la préparation et mixez-la dans un mixeur, jusqu'à obtenir la consistance désirée. Replacez la préparation dans le récipient de cuisson et ajoutez le fromage, la ciboulette et l'assaisonnement. Laissez cuire sur le réglage High (élevé) pendant 30 minutes supplémentaires. Avant de servir, vous pouvez ajouter davantage de fromage et de la crème.

morceau de bœuf braisé aux légumes

15 ml d'huile
900g de morceaux de tendre de tranche
1 oignon, épluché et haché
3 carottes, épluchées et découpées en rondelles (épaisseur 1 cm)
500ml de bouillon de bœuf chaud

Faites chauffer l'huile dans une poêle à frire puis faites dorer le bœuf sur chaque face. Ajoutez les légumes et laissez frire jusqu'à ce qu'ils soient dorés. Transférez la préparation dans le

récipient de cuisson, ajoutez le bouillon chaud et l'assaisonnement. Couvrez avec le couvercle et laissez cuire sur le réglage High (élevé) pendant 4 heures environ, puis sur le réglage Low (faible) pendant 7-8 heures environ.

bœuf à la bière

600g de ragoût de bœuf maigre
2 pommes de terre moyennes, chacune coupée en huit morceaux.
1 gros oignon, coupé en huit morceaux
2-3 carottes, découpées en morceaux (épaisseur 2 cm)
300 ml de bière
200 ml de bouillon de bœuf
20 ml de persil frais, haché
25 g de thym sans les branches
20-30 ml de farine de maïs
sel et poivre

Placez tous les ingrédients dans le récipient de cuisson, puis faites cuire sur le réglage High (élevé) pendant 5½ heures environ ou sur le réglage Low (faible) pendant 7-8 heures environ. Mélangez la farine de maïs avec un peu d'eau froide pour obtenir une pâte lisse. Retirez le couvercle et ajoutez la préparation au récipient de cuisson. Mélangez bien. Couvrez à nouveau puis laissez cuire jusqu'à ce que le jus commence à bouillir et ait légèrement épaissi.

sauce bolognaise

A utiliser pour composer des spaghettis à la bolognaise ou des lasagnes

15 ml d'huile
1 gros oignon haché
5 tranches de bacon entrelardé, découpées
650g de bœuf maigre haché
1 boîte de conserve de tomates concassées de 454 g
1 gousse d'ail, pelée et écrasée
15 ml de purée de tomate ou à votre goût
sel et poivre
150 g de champignons, finement hachés

Faites chauffer l'huile dans une grande poêle et laissez frire les oignons jusqu'à ce qu'ils dorent, puis transférez dans le récipient de cuisson. Ajoutez le bacon dans la poêle, faites-le frire et placez-le dans le récipient de cuisson. Faites frire la viande jusqu'à ce qu'elle dore, ajoutez les tomates hachées et portez à ébullition. Transférez ensuite dans le récipient de cuisson. Placez le reste des ingrédients dans le récipient de cuisson. Laissez cuire sur le réglage High (élevé) pendant environ 3-4 heures ou sur le réglage Low (modéré) pendant environ 6-7 heures.

coq au vin

150 g de bacon, en dés
1 gros oignon haché
1 gousses d'ail, écrasées
300 g de champignons, en tranches épaisses
4 poitrines de poulet désossées
275 ml de vin rouge
375ml de bouillon de volaille chaud
sel et poivre
farine de maïs (en option)

Mettez tous les ingrédients dans la cocotte mijoteuse. Couvrez et laissez cuire sur High (élevé) pendant 4 heures environ, ou sur le réglage Low (faible) pendant 6-7 heures environ. Si vous le souhaitez, vous pouvez épaissir le jus avec de la farine de maïs mélangée avec de l'eau. Retirez le couvercle et ajoutez la préparation au récipient de cuisson, puis mélangez bien (si nécessaire, retirez les poitrines de poulet et gardez-les au chaud pendant que vous ajoutez la farine de maïs). Couvrez à nouveau et laissez cuire pendant suffisamment longtemps pour que le jus commence à bouillir et épaississe légèrement.

ragoût de poulet à l'estragon

15 g de beurre
15 ml d'huile
4 poitrines de poulet
1 oignon finement haché
150 ml de vin blanc sec
150 ml de bouillon de volaille chaud
4 brins d'estragon
50 ml de crème épaisse
sel et poivre
15 ml de farine de maïs (environ)

Faites chauffer le beurre et l'huile dans une poêle à frire. Ajoutez les morceaux de poulet et faites dorer de chaque côté. Transférez le poulet dans le récipient de cuisson, Faites frire l'oignon et placez-le dans le récipient de cuisson avec le vin, le bouillon, deux brins d'estragon et l'assaisonnement. Couvrez à l'aide du couvercle et laissez cuire sur High pendant environ 3 heures, ou sur Low pendant environ 6 heures. A la fin de la durée de cuisson, retirez les morceaux de poulet et gardez-les au chaud. Mélangez la farine de maïs avec de l'eau pour obtenir une pâte lisse et ajoutez-la à la cocotte mijoteuse avec la crème. Mélangez bien. Replacez les morceaux de poulet dans le bol de cuisson, couvrez et laissez cuire jusqu'à ce que la préparation épaississe. Une fois la cuisson terminée, hachez finement le reste de l'estragon et ajoutez-le au récipient de cuisson. Servez immédiatement.

pommes cuites

3 pommes à cuire (choisissez des pommes de taille adaptée au récipient de cuisson)
75 g de fruits secs mélangés
2.5 ml de cannelle
25 g de sucre roux doux
75 ml d'eau froide

Nettoyez et étrogez les pommes. Puis, à l'aide d'un couteau pointu, faites une incision dans la peau tout autour du milieu de chaque pomme. Placez les pommes dans le récipient de cuisson. Mélangez les fruits, la cannelle et le sucre. Remplissez ensuite le centre de chaque pomme avec le mélange. Ajoutez l'eau et fermez le couvercle. Faites cuire sur le réglage Low (faible) pendant environ 2-4 heures (en fonction de la taille et de la variété des pommes).

gâteau de riz

75 g de riz à dessert ou à petits grains
50 g de sucre en poudre
1 litre de lait
25 g de beurre
noix de muscade moulue

Placez le riz, le sucre et le lait dans le récipient de cuisson. Mélangez bien. Parsemez de copeaux de beurre et de noix de muscade. Couvrez et laissez cuire sur le réglage High (élevé) pendant 2-3 heures environ ou sur le réglage Low (faible) pendant 4-5 heures. Après une heure de cuisson, mélangez tous les ingrédients du récipient de cuisson et mélangez une fois de plus pendant la cuisson.

chutney aux pommes

morceau de gingembre d'environ 1 cm
7,5 ml d'épices de marinade
700g de pommes à cuire tranchées et préparées (Bramleys, par exemple)
100 g de raisins de Smyrne
100 g d'oignons finement hachés
1 petite gousse d'ail, pelée et écrasée
250 g de sucre roux foncé
250 ml de vinaigre de malt

Enveloppez le gingembre et les épices de marinade dans un petit morceau de mousseline nouée.

Placez tous les ingrédients dans le récipient de cuisson et mélangez bien. Recouvrez avec le couvercle et faites cuire sur le réglage Low (faible) pendant environ huit heures. Une fois la cuisson terminée, retirez le couvercle, mélangez les ingrédients, commutez le réglage High (élevé) et laissez le mélange bouillir pendant 30 à 60 minutes supplémentaires ou jusqu'à obtenir la consistance souhaitée. Laissez refroidir, versez dans des bocaux propres et recouvrez immédiatement.

Le tout obtenu équivaut à environ deux livres

Bitte die Titelseite mit dem Abbildungen l'aufschlagen.

vor Gebrauch Ihres Kenwood-Gerätes

- Lesen Sie diese Anleitung sorgfältig durch und bewahren Sie diese zur späteren Benutzung auf.
- Entfernen Sie jegliches Verpackungsmaterial und alle Aufkleber.

Sicherheit

- Dieses Gerät erzeugt Dampf. Achten Sie darauf, dass Sie sich daran nicht verbrennen.
- Achten Sie darauf, dass Sie sich nicht an heißem Dampf aus dem Gartopf verbrennen, insbesondere beim Öffnen des Deckels.
- Beachten Sie beim Verwenden des Gartopfes, dass alle Teile heiß werden. **Verwenden Sie Topflappen.**
- Der Sockel des Gartopfes sollte bei der Verwendung nicht hochgehoben werden, da der Inhalt immer noch heiß ist.
- Seien Sie beim Bewegen des Gartopfes äußerst vorsichtig, insbesondere wenn der Topfinhalt heiß ist.
- Verwenden Sie niemals einen beschädigten Gartopf. Lassen Sie ihn überprüfen oder reparieren: Siehe 'Kundendienst und Service'.
- Verwenden Sie niemals einen beschädigten Gartopf oder einen Topf, der einen Riss hat.
- Legen Sie niemals den Gartopf, das Kabel oder den Stecker in Wasser – Sie könnten einen Stromschlag bekommen. Halten Sie die Regler stets sauber und trocken.
- Achten Sie darauf, dass sich kein Kabel in Reichweite eines Kindes befindet.
- Ziehen Sie stets den Stecker des Gartopfs aus der Steckdose, wenn der Gartopf nicht im Gebrauch ist.
- Stellen Sie das Gerät oder dessen Komponenten niemals auf einen Herd oder in einen Backofen.

- Verwenden Sie das Gerät niemals auf hitzeempfindlichen Oberflächen.
- Wenn Sie den Gartopf benutzen, achten Sie darauf, dass sich keine Vorhänge oder andere schnellentflammbare Materialien in der Nähe befinden.
- Verwenden Sie den Gartopf ausschließlich mit dem mitgelieferten Topf.
- Der Gartopf ist nicht für die Verwendung im Freien geeignet.
- Der Gartopf darf ausschließlich mit dem mitgelieferten Deckel zugedeckt werden.
- Dieses Gerät darf weder von physisch noch von geistig behinderten oder in ihrer Bewegung eingeschränkten Personen (einschließlich Kinder) benutzt werden. Auch dürfen Personen die weder Erfahrung noch Kenntnis im Umgang mit dem Gerät haben, dieses erst nach Anweisungen durch eine für ihre Sicherheit zuständige Person in Betrieb nehmen.
- Kinder müssen überwacht werden, damit sie mit dem Gerät nicht spielen.
- Verwenden Sie das Gerät nur für seinen vorgesehenen Zweck im Haushalt. Bei unsachgemäßer Benutzung oder Nichteinhaltung dieser Anweisungen übernimmt Kenwood keinerlei Haftung.

Sicherheit für Lebensmittel

- Garen Sie Fleisch (einschließlich Hähnchen), Fisch und Meeresfrüchte gut durch. Garen Sie niemals Lebensmittel in gefrorenem Zustand.
- Wärmen Sie kein Essen im Gartopf auf.
- Vergewissern Sie sich, dass das fertige Essen stets siedend heiß ist.

- Kochen Sie Fleisch und Geflügel niemals zur Hälfte, um es anschließend für späteres Fertiggaren einzufrieren.
- Beachten Sie die Garanweisungen des Herstellers, besonders bei getrockneten Bohnen. Beispielsweise sollten Sie rote Kidney-Bohnen über Nacht in Wasser einweichen und anschließend auf dem Herd mindestens 10 Minuten bei starker Hitze in einem Topf mit frischem Kochwasser aufkochen, um die Giftstoffe zu zerstören. Danach können Sie die Bohnen abgießen und in den Gartopf geben.

Vor dem Einstecken

- Überprüfen Sie, ob die auf der Unterseite des Gerätes angegebene Netzspannung der Ihres Stromnetzes entspricht.
- Dieses Gerät entspricht der EG-Richtlinie 89/336/EEC.

Vor Inbetriebnahme des Gerätes

- Waschen Sie alle Teile gründlich - siehe „Reinigung und Pflege“.

Legende

- ① Deckel
 - ② Gareinsatz
 - ③ Gartopf
 - ④ Griffe
 - ⑤ Schaltknopf (CP706)
 - ⑥ Anzeigeleuchte (CP706)
- Modell CP707**
- ⑦ Display
 - ⑧ Taste für hohe Einstellung (High)
 - ⑨ Taste für niedrige Einstellung (Low)
 - ⑩ Warmhaltetaste (Warm)
 - ⑪ Taste zur Erhöhung der Zeiteinstellung
 - ⑫ Ein-/Aus-Taste
 - ⑬ Taste zur Erniedrigung der Zeiteinstellung

Verwenden Ihres manuellen Gartopfes (CP706)

- 1 Befolgen Sie die Anweisungen auf dem Kochrezept und geben Sie die Zutaten entsprechend in den Gartopf.
- 2 Stellen Sie den Gartopf auf den Sockel. **Wichtig - Vermeiden Sie, dass Sie sich verbrennen, wenn Sie den Gartopf hochheben. Achten Sie darauf, dass der Topf wie in Abbildung ① gezeigt, auf den Sockel gesetzt wird. Die Griffe des Gartopfes sollten mit den Griffen des Sockels übereinstimmen.**
- 3 Setzen Sie den Deckel auf und stecken Sie den Netzstecker des Geräts in die Steckdose.
- 4 Wählen Sie die gewünschte Einstellung: hoch, niedrig oder Warmhalten. Die Anzeigeleuchte leuchtet auf und der Garvorgang beginnt.
- 5 Garen Sie die Zutaten für die von Ihnen gewünschte Zeitdauer.
- 6 Nach dem Garen schalten Sie das Gerät aus und ziehen Sie den Stecker.

Verwenden Ihres elektronischen Gartopfes (CP707)

- 1 Befolgen Sie die Rezeptanweisungen und füllen Sie die Zutaten in den Gartopf.
- 2 Stellen Sie den Gartopf auf den Sockel. **Wichtig - Vermeiden Sie, dass Sie sich verbrennen, wenn Sie den Gartopf hochheben. Achten Sie darauf, dass der Topf wie in Abbildung ① gezeigt, auf den Sockel gesetzt wird. Die Griffe des Gartopfes sollten**

mit den Griffen des Sockels übereinstimmen.

- 3 Setzen Sie den Deckel auf.
- 4 Stecken Sie den Netzstecker des Gartopfes in die Steckdose.
- 5 Drücken Sie den Ein-/Aus-Schalter zum Einschalten des Gartopfes. Die Anzeige zeigt 0:00, das Display leuchtet auf. Das erleuchtete Display schaltet aus, wenn innerhalb von 30 Sekunden keine Tasten gedrückt werden.
- 6 Wählen Sie die gewünschte Gareinstellung durch Drücken der Tasten für niedrige Hitze, starke Hitze oder Warmhalten. Auf der rechten Seite des Displays erscheint eine Ikone, neben der gewählten Gareinstellung erscheint ein Querstrich. Der Garvorgang beginnt: Dies wird durch blinkende Dezimalstellen angezeigt.
- 7 Lassen Sie den Gartopf für die gewünschte Zeit garen.
- 8 Drücken Sie den Ein-/Aus-Schalter, um den Garvorgang zu stoppen. Halten Sie die Ein-/Aus-Taste für 5 Sekunden gedrückt, um den Gartopf auszuschalten. Ziehen Sie den Netzstecker des Geräts nach dem Gebrauch aus der Steckdose.

Einstellen des Zeitschalters (nur CP707)

- 1 Befolgen Sie die Arbeitsschritte 1-5 (siehe oben)
- 2 Stellen Sie die gewünschte Garzeit durch Drücken der Zeitschalter-Tasten ein: (+) erhöht die Zeit, (-) verringert die Zeit. Der Zeitschalter kann in Intervallen von 30 Minuten bis zu maximal 10 Stunden für niedrige und hohe Einstellung verstellt werden. Für das Warmhalten stellt das Gerät automatisch auf maximal 2 Stunden ein.
- 3 Wählen Sie die gewünschte Gareinstellung durch Drücken der

Tasten für niedrige Hitze, starke Hitze oder Warmhalten. Auf der rechten Seite des Displays erscheint eine Ikone, neben der gewählten Gareinstellung erscheint ein Querstrich. Der Garvorgang und das Ablaufen der vorgegebenen Zeit beginnt: Dies wird durch blinkende Dezimalstellen angezeigt. Die Zeitanzeige verringert sich jeweils um 1 Minute.

Anmerkung: Wird eine Gareinstellung nicht innerhalb von 15 Sekunden gewählt, kehrt die Zeiteinstellung automatisch auf 0:00 zurück und muss anschließend neu eingestellt werden.

- 4 Nach Ablauf der Garzeit in den Einstellungen hohe oder niedrige Hitze stellt der Gartopf automatisch auf Warmhalten um; die Zeitanzeige läuft ab 2 Stunden. Nach 2 Stunden stoppt der Warmhaltevorgang und das Display kehrt auf 0:00 zurück.
- 5 Halten Sie die Ein-/Aus-Taste für 5 Sekunden gedrückt, um den Gartopf auszuschalten. Ziehen Sie den Netzstecker des Geräts nach dem Gebrauch aus der Steckdose.

● **Wichtig: Wenn Sie im Zeitschalter-Modus für längere Zeit garen, müssen Sie darauf achten, dass der Topfinhalt nicht austrocknet oder anbrennt.**

- Wenn Sie beim Garen mit eingestelltem Zeitschalter die Garzeit ändern möchten, drücken Sie einfach die Taste zum Verlängern oder Verkürzen der Garzeit.

Leitlinien für die Einstellung

Die folgenden Zeiten gelten lediglich als Anleitung und variieren je nach Art und Menge des zu garenden Gerichts.

Eine Einstellung auf **niedrige Hitze (Low)** gart Ihr Gericht im Verlauf des Tages und benötigt etwa 6-8 Stunden. Diese Einstellung kann auch zum Garen feinerer Speisen wie Backäpfeln oder gedünstetem Obst, die langsamer gegart werden müssen, verwendet werden.

Im Vergleich zu niedriger Hitze beschleunigt eine Einstellung auf **hohe Hitze (High)** den Garvorgang: Die Garzeiten liegen zwischen 3-5 Stunden.

Warmhalten (Keep Warm) - Verwenden Sie diese Einstellung, wenn der Topfinhalt gar ist und warmgehalten werden soll. Wir empfehlen, Gerichte nicht für länger als 2 Stunden nach dem Garen warmzuhalten und dann den Gartopf auszuschalten. Ein Abnehmen des Deckels reduziert die Temperatur im Gartopf. Nehmen Sie den Deckel so wenig wie möglich ab, und setzen Sie ihn schnell wieder auf..

Tips zur Verwendung Ihres Gartopfes

- 1 Verwenden Sie Ihre Zutaten zur Zubereitung möglichst bei Raumtemperatur und nicht direkt aus dem Kühlschrank. Fleisch und Fisch sollten jedoch nicht länger als nötig außerhalb des Kühlschranks gelassen werden. Nehmen Sie diese Zutaten aus dem Kühlschrank, damit die Kälte entweichen kann und bedecken Sie sie mit Frischhalte- oder Plastikfolie. Bereiten Sie keine

Gerichte im Voraus vor, um sie dann in den Kühlschrank zu stellen.

- 2 Schneiden Sie Gemüse wie Karotten, Zwiebeln, Rüben usw. in ziemlich kleine Stücke, da diese eine längere Garzeit als Fleisch haben.
- 3 Schneiden Sie alle Zutaten in gleich große Stücke, damit alle gleichmäßig garen.
- 4 Anbräunen des Fleisches und kurzes Anbraten von Gemüse in einer separaten Pfanne entfernt etwas Fett vom Fleisch und verbessert darüber hinaus Aussehen und Geschmack von Fleisch und Gemüse. Dies ist aber nicht unbedingt notwendig.
- 5 Öffnen Sie den Deckel während des Garens nicht mehr als notwendig, denn dies führt zu Hitzeverlust und Verdunstung von Flüssigkeit. Abhängig davon, wie oft Sie den Deckel abnehmen und für wie lange, kann es sein, dass Sie die Garzeit um 20 Minuten bis zu einer halben Stunde verlängern müssen.
- 6 Gegart wird immer im Gareinsatz. Geben Sie die Lebensmittel niemals direkt in den Gartopf.
- 7 Stellen Sie den heißen Gareinsatz unmittelbar nach dem Gebrauch niemals direkt in kaltes Wasser und schütten Sie niemals kochendes Wasser in einen leeren Gareinsatz, wenn dieser kalt ist. Wenn der Gareinsatz einer plötzlichen Temperaturveränderung ausgesetzt wird, kann er zerspringen.
- 8 Nach einigen Monaten Gebrauch kann die glänzende Oberfläche des Gareinsatzes feine Risse aufweisen: dies ist bei glasierter Keramik normal, hat aber überhaupt keine Auswirkung auf die Leistungsfähigkeit Ihres Gartopfes.

- 9 Wenn Sie normale Kochrezepte abwandeln, kann es sein, dass Sie die zu verwendende Flüssigkeitsmenge reduzieren müssen. Beim Garen verdampft die Flüssigkeit langsamer als beim herkömmlichen Kochen, obwohl eine bestimmte Flüssigkeitsmenge zum Ausbreiten der Hitze benötigt wird.
- 10 Befüllen Sie den Gartopf niemals mehr als $\frac{3}{4}$.
- 11 Um Gerinnen von Milchprodukten, einschließlich Sahne, Sauerrahm und Joghurt zu vermeiden, sollten diese erst am Ende des Garvorganges hinzugefügt werden.
- 12 Eingefrorenes Gemüse, wie Bohnen, sollten erst aufgetaut und während der letzten $\frac{1}{2}$ -1 Stunde des Garvorgangs hinzugefügt werden. Farbe und Textur der Lebensmittel aber auch die Temperatur im Gartopf bleibt erhalten.
- 13 Beste Ergebnisse erzielen Sie dann, wenn die Zutaten mit Flüssigkeit bedeckt sind.
- 14 Entfernen Sie überschüssiges Fett vom Fleisch.
- 15 Bei einem Schmorbraten achten Sie darauf, dass dieser gut in den Gareinsatz passt und fügen Sie immer Wasser hinzu. Wenden Sie den Braten einmal während des Garvorgangs.
- 16 Hinzufügen von heißer Brühe beschleunigt den Garprozess.
- 17 Zum Andicken von Bratensauce usw. mischen Sie etwas Speisestärke mit ein wenig kaltem Wasser, um eine glatte Paste zu erhalten. Fügen Sie diese Mischung gegen Ende des Garvorganges hinzu. Setzen Sie den Deckel auf und garen Sie noch etwas weiter, bis der Bratensaft aufgekocht und eingedickt ist.
- 18 Bitte achten Sie darauf, dass um den Deckelrand Spritzer auftreten können.

Reinigung und Pflege

Bevor Sie mit dem Reinigen beginnen, schalten Sie das Gerät immer erst aus, ziehen den Netzstecker und lassen das Gerät abkühlen.

Gartopf

Wischen Sie die Außenseite des Gartopfes erst mit einem feuchten Lappen ab und reiben Sie diesen anschließend mit einem Tuch trocken.

Tauchen Sie den Gartopf selbst niemals in Wasser.

Deckel, Gareinsatz

Waschen Sie diese in warmem Wasser mit Spülmittel, spülen Sie nach und trocknen Sie die Teile anschließend gründlich ab. An der Innenseite festgesetzte Speisereste können mit einer weichen Bürste entfernt werden.

Der Gareinsatz und der Deckel sind spülmaschinenfest

Kundendienst und Service

- Ein beschädigtes Netzkabel darf aus Sicherheitsgründen nicht selbst repariert werden, sondern muß von KENWOOD oder einer autorisierten KENWOOD-Kundendienststelle ausgetauscht werden.

Hinweise zur:

- Verwendung Ihres Kenwood Gerätes
- Wartung oder Reparatur
Bitte setzen Sie sich mit Ihrem Händler in Verbindung, bei dem Sie das Gerät gekauft haben.

KOCHREZEPTE

Alle Zeitangaben gelten lediglich als Anleitung. Achten Sie vor dem Servieren des Gerichts immer darauf, dass die Speisen völlig gar und ganz heiß sind. Unterschiedliche Mengen erfordern auch unterschiedliche Garzeiten.

Kartoffelsuppe mit Cheddarkäse und Schnittlauch

*4 mittelgroße Kartoffeln, geschält und in Scheiben geschnitten
1 große geschälte Knoblauchzehe
475ml/16 fl oz fl oz Fleischbrühe
220g/7 oz oz Cheddarkäse, gerieben
50g/2 oz oz frischer kleingehackter Schnittlauch
Salz und Pfeffer*

Geben Sie die Kartoffeln, den Knoblauch und die Fleischbrühe in den Gartopf. Garen Sie das Ganze für zwei Stunden bei hoher Hitze (High). Gießen Sie die Mischung in einen Liquidiser und mixen diese auf die gewünschte Konsistenz. Gießen Sie die Mischung zurück in den Gartopf und fügen Sie den Käse, die restliche Fleischbrühe, den Schnittlauch und die Gewürze hinzu. Garen Sie das Ganze weitere 30 Minuten bei hoher Hitze (High). Vor dem Servieren kann zusätzlich Käse und Sahne hinzugefügt werden.

Rinderschmorbraten mit Gemüse

*15 ml/1 Esslöffel Öl
900g/2 Pfund Tafelspitz
1 geschälte und kleingehackte Zwiebel
3 geschälte Karotten, in 1 cm / ½" dicke Scheiben geschnitten
500ml / ¼ Pint heiße Rinderbrühe*

Erhitzen Sie das Öl in einer Bratpfanne und braten Sie das Rindfleisch von allen Seiten braun an. Geben Sie das Gemüse hinzu und braten Sie dieses leicht goldgelb an. Geben Sie die gesamte Mischung in den Gartopf, fügen Sie die heiße Brühe und die Gewürze hinzu. Setzen Sie den Deckel auf und garen Sie das Ganze für 4 h bei hoher Hitze (High) oder 7-8 h bei niedriger Hitze (Low).

Rindersteak in Bier

600g/1 Pfund 5 oz ozmageres
Steakfleisch in 1" / 2,5 cm große
Würfel geschnitten
2 mittelgroße Kartoffel, geachtelt
1 große Zwiebel, geachtelt
2-3 Karotten, in 2 cm / ¾" dicke
Stücke geschnitten
300ml/10 ½ fl oz fl ozBier
200ml/7 fl oz fl ozRinderbrühe
20 ml/ 1 Esslöffel frische, gehackte
Petersilie
25 g / 1 oz Thymian, Stengel
entfernt
20-30 ml / 1-2 Esslöffel
Speisestärke
Salz und Pfeffer

Geben Sie alle Zutaten in den Gartopf und garen Sie diese etwa 5½ Stunden bei hoher Hitze (High) oder etwa 7-8 Stunden bei niedriger Hitze (Low). Vermischen Sie das Weizenmehl mit etwas kaltem Wasser bis sie eine gleichmäßige Paste erhalten. Nehmen Sie den Deckel ab, geben Sie die Mischung in den Gartopf und verrühren es gut. Setzen Sie den Deckel wieder auf und garen Sie noch so lange, bis der Saft aufgeköcht und die Soße eingedickt ist.

Sauce Bolognaise

Verwenden Sie die Sauce als Basis für Spaghetti Bolognaise oder Lasagne

15ml/1 Esslöffel Öl
1 große, gehackte Zwiebel
5 Scheiben Dürrfleisch, gewürfelt
650g / 1 Pfund 7 oz mageres
Rinderhack
1 x 454 g gewürfelte Tomaten aus
der Dose
1 geschälte und zerdrückte
Knoblauchzehe
1 gestrichte Esslöffel / 15 ml
Tomatenmark oder nach
Geschmack
Salz und Pfeffer
150 g / 5 oz fein gehackte
Champignons

Erhitzen Sie das Öl in einer großen Pfanne, bräunen Sie die Zwiebeln an und geben Sie sie dann in den Gartopf. Bräunen Sie dann den Speck in der Pfanne an und geben Sie ihn anschließend in den Gartopf. Gehen Sie ebenso mit dem Fleisch vor, fügen Sie die klein geschnittenen Tomaten hinzu, lassen Sie das Gemisch kurz aufkochen und geben Sie dann alles in den Gartopf. Füllen Sie die restlichen Zutaten in den Gartopf. Garen Sie auf hoher Hitze für etwa 3-4 Stunden bzw. auf niedriger Hitze für etwa 6-7 Stunden.

Coq au Vin

150 g / 5 oz klein gewürfelter Speck
1 große gehackte Zwiebeln
1 zerdrückte Knoblauchzehen
300 g / 10 oz in dicke Scheiben
geschnittene Champignons
4 Hähnchenbrüste ohne Knochen
275 ml / 10 fl oz Rotwein
375 ml / 13 fl oz heiße Hühnerbrühe
Salz und Pfeffer
Speisestärke (bei Bedarf)

Geben Sie alle Zutaten in den Gartopf. Setzen Sie den Deckel auf und garen Sie bei hoher Hitze (High) 4 Stunden oder bei niedriger Hitze (Low) etwa 6-7 Stunden.

Falls gewünscht, können Sie die Brühe mit etwas Weizenmehl verrührt in Kaltwasser, eindicken. Nehmen Sie den Deckel ab, geben Sie Mischung hinein und verrühren es gut (falls notwendig entnehmen Sie die Hähnchenbrüste und halten diese warm, während Sie die Mehlmischung hinzufügen). Setzen Sie den Deckel wieder auf und garen Sie noch so lange, bis der Saft aufgekocht und die Soße eingedickt ist.

Geschmorte Hähnchen-Kasserole mit Estragon

15 g / ½ oz Butter
1 Esslöffel / 15 ml Öl
4 Hähnchenbrüste
1 Zwiebel, fein gehackt
150 ml / 5 fl oz trockener Weißwein
150 ml / 5 fl oz heiße Hühnerbrühe
4 Estragonzweige
50 ml / 2 fl oz Creme double
Salz und Pfeffer
1 Esslöffel/15 ml Weizenmehl (ca.)
Speisestärke

Erhitzen Sie Butter und Öl in einer Pfanne. Geben Sie die Hähnchenstücke hinzu und bräunen Sie sie auf beiden Seiten an. Geben Sie die Hähnchenstücke in den Gartopf. Bräunen Sie die Zwiebel an und geben Sie sie anschließend zusammen mit dem Wein, der Brühe und 2 Taragonstengeln in den Gartopf. Würzen. Decken Sie den Gartopf mit dem Deckel zu und garen Sie auf hoher Hitze für etwa 3 Stunden oder auf niedriger Hitze für etwa 6 Stunden. Nehmen Sie am Ende der Garzeit die Hähnchenstücke heraus und halten Sie sie warm. Mischen Sie die Stärke mit etwas Wasser bis Sie eine glatte Paste erhalten. Geben Sie diese zusammen mit der Sahne in den Gartopf. Gut rühren. Legen Sie die Hähnchenstücke wieder in den Gartopf, setzen Sie den Deckel auf und lassen Sie den Topf etwas länger garen, bis sich die Sauce verdickt hat. Hacken Sie dann den restlichen Taragon klein und geben Sie ihn in den Gartopf. Sofort servieren.

Gebackene Äpfel

3 Kochäpfel (wählen Sie die Äpfel so, dass diese gut in den Gareinsatz passen)

75 g / 2½ oz gemischte Trockenfrüchte

2.5 ml / ½ gestrichener Teelöffel

Zimt

25 g / 1 oz brauner Zucker

75 ml / 2½ fl oz kaltes Wasser

Waschen und entkernen Sie die Äpfel. Mit einem scharfen Messer schneiden Sie die Schale in der Mitte eines jeden Apfels ein. Geben Sie die Äpfel in den Gareinsatz. Vermischen Sie die Früchte mit Zimt und Zucker und füllen Sie den ausgehöhlten Teil jedes Apfels damit. Geben Sie das Wasser hinzu und setzen den Deckel darauf. Garen Sie bei niedriger Hitze (Low) für etwa 2-4 Stunden (abhängig von der Größe der Äpfel und Apfelsorte).

Reispudding

75 g / 3 oz Rundkorn- oder Milchreis

50 g / 2 oz feiner Zucker

1 Liter / 1 ¾ Pint Milch

25 g / 1 oz Butter

geriebene Muskatnuss

Geben Sie den Reis, den Zucker und die Milch in den Gartopf und mischen Sie das Ganze gut durch. Geben Sie Butterflocken und geriebene Muskatnuss darüber. Setzen Sie den Deckel auf und garen Sie das Ganze für etwa 2-3 Stunden bei hoher Hitze (High) oder 4-5 Stunden bei niedriger Hitze (Low). Nach einer Stunde rühren Sie den Inhalt um und später dann noch ein weiteres Mal.

Apfel-Chutney

etwa 1 cm / ½" großes Stück Ingwer

7.5 ml Einmachgewürz

700g / 1½ Pfund vorbereitete, in Scheiben geschnittene

Kochäpfel, z.B. Bramleys

100 g / 3½ oz Sultaninen

100 g / 3½ oz fein gehackte Zwiebel

1 geschälte und zerdrückte

Knoblauchzehe

150g / 5 oz dunkelbrauner Zucker

250 ml / 5 fl oz Malzessig

Binden Sie den Ingwer und die Einmachgewürze in ein kleines Mulltuch. Geben Sie alle Zutaten in den Gareinsatz und vermengen Sie diese gut. Setzen Sie den Deckel auf und kochen das Chutney bei niedriger Hitze (Low) für ca. 8 Stunden. Nehmen Sie den Deckel nach dem Garen ab, verrühren die Zutaten und schalten auf High und kochen Sie weitere 30-60 Minuten bei hoher Hitze (High), bis die gewünschte Konsistenz erreicht ist. Lassen Sie das Chutney ein wenig abkühlen und füllen Sie es in saubere Gläser und verschließen Sie diese umgehend.

Ergibt etwa 2 Pfund.

Si prega di aprire la prima pagina, al cui interno troverete le illustrazioni

prima di utilizzare la vostra apparecchiatura Kenwood

- Leggere attentamente le presenti istruzioni e conservarle come futuro riferimento.
- Rimuovere la confezione e le etichette.

sicurezza

- Questo apparecchio produce vapore in grado di provocare ustioni.
- Fare attenzione a non scottarsi con il vapore che fuoriesce dalla pentola a cottura lenta, soprattutto quando viene sollevato il coperchio.
- Prestare attenzione nel maneggiare la pentola a cottura lenta: tutte le parti possono diventare roventi durante l'utilizzo. **Usare guanti da forno.**
- Evitare di sollevare l'unità di base se prima le pietanze all'interno non si sono raffreddate.
- Fare molta attenzione a spostare la pentola se essa contiene pietanze che scottano.
- Non utilizzare la pentola a cottura lenta se è danneggiata. Farla controllare o riparare: vedere 'manutenzione e assistenza tecnica'.
- Non utilizzare la pentola se presenta qualunque danno o incrinatura.
- Non immergere mai l'unità di base, il cavo elettrico o la spina in acqua: pericolo di folgorazione. Tenere asciutta e pulita la manopola di regolazione.
- Non lasciare mai il cavo sospeso, soprattutto quando c'è il rischio che possa essere afferrato da un bambino.
- Scollegare sempre dalla presa di corrente la pentola a cottura lenta quando non è utilizzata.
- Non collocare mai l'apparecchio o i componenti sui fornelli o all'interno di un forno.
- Non utilizzare l'apparecchio su superfici sensibili al calore.

- Non utilizzare la pentola a cottura lenta in prossimità o al di sotto di tende o altri materiali combustibili.
- Utilizzare la pentola a cottura lenta solo con il recipiente di cottura fornito.
- Non usare questa pentola in esterni.
- Per coprire la pentola, utilizzare esclusivamente il coperchio in dotazione.
- Non consentire l'uso dell'apparecchio a persone (anche bambini) con ridotte capacità psico-fisico-sensoriali, o con esperienza e conoscenze insufficienti, a meno che non siano attentamente sorvegliate e istruite da un responsabile della loro incolumità.
- Sorvegliare i bambini, assicurandosi che non giochino con l'apparecchio.
- Utilizzare l'apparecchio solo per l'uso domestico per cui è stato realizzato. Kenwood non si assumerà alcuna responsabilità se l'apparecchio viene utilizzato in modo improprio o senza seguire le presenti istruzioni.

sicurezza alimentare

- Eseguire un ciclo di cottura completa di carne (compreso il pollame), pesce e frutti di mare. Non cuocere mai questi alimenti quando sono ancora congelati.
- Non ricuocere le pietanze nella pentola a cottura lenta.
- Accertarsi sempre che le pietanze siano cotte completamente prima di servirle.
- Non cuocere mai parzialmente la carne e il pollame e congelarlo per una cottura successiva.
- Seguire le indicazioni per la cottura fornite dal produttore, in particolare per i fagioli secchi. I fagioli borlotti secchi, ad esempio, devono essere lasciati in ammollo una notte e poi lessati a fuoco vivo per almeno 10

minuti in un tegame con acqua fredda per distruggere le tossine prima di passarli e cuocerli nella pentola a cottura lenta.

prima di collegare la presa

- Assicurarsi che la tensione elettrica corrisponda a quella indicata sotto l'apparecchio.
- Questo apparecchio è conforme alla Direttiva della Comunità Economica Europea 89/336/EEC.

prima di utilizzare l'apparecchio per la prima volta

- Lavare i componenti – vedere la sezione 'cura e pulizia'.

legenda

- ① coperchio
 - ② pentola di cottura
 - ③ unità di base
 - ④ maniglie
 - ⑤ manopola di regolazione (CP706)
 - ⑥ spia indicatrice (CP706)
- #### **Modello CP707**
- ⑦ display
 - ⑧ tasto impostazione alta (High)
 - ⑨ tasto impostazione bassa (Low)
 - ⑩ tasto conservazione del calore (Keep Warm)
 - ⑪ tasto timer +
 - ⑫ tasto ACCESO/SPENTO
 - ⑬ tasto timer -

utilizzo della pentola manuale a cottura lenta (CP706)

- 1 Seguire le indicazioni della ricetta e introdurre gli ingredienti nella pentola di cottura.
- 2 Inserire la pentola nell'unità di base.

Importante – per evitare di scottarsi nell'estrarre la pentola, verificare di inserirla nell'unità di base nel modo illustrato ①, con i manici allineati rispetto a quelli dell'unità di base.

- 3 Mettere il coperchio e inserire la spina della pentola a cottura lenta nella presa di corrente.
- 4 Selezionare l'impostazione desiderata, ossia alta (High), bassa (Low) o conservazione del calore (Keep Warm). La spia indicatrice si accende e la cottura prende il via.
- 5 Lasciar cuocere per il tempo desiderato.
- 6 Dopo la cottura, spegnere la pentola a cottura lenta e staccare la spina.

utilizzo della pentola elettronica a cottura lenta (CP707)

- 1 Attenersi alle istruzioni per la ricetta e versare le pietanze nella pentola.
- 2 Inserire la pentola nell'unità di base.
Importante – per evitare di scottarsi nell'estrarre la pentola, verificare di inserirla nell'unità di base nel modo illustrato ①, con i manici allineati rispetto a quelli dell'unità di base.
- 3 Ora mettere il coperchio.
- 4 Inserire la spina della pentola a cottura lenta nella presa di corrente.
- 5 Accendere la pentola premendo il tasto ACCESO/SPENTO. Il display mostra 0:00 e si illumina. Se entro 30 secondi non viene premuto nessun tasto, il display si spegne.
- 6 Selezionare l'impostazione desiderata per la cottura, premendo il tasto di impostazione alta (High), bassa (Low) o di conservazione del calore (Keep Warm). Nella parte destra del display appare un'icona, mentre accanto all'impostazione selezionata appare un trattino. Ora l'apparecchio avvia la cottura, come indicato dalle cifre decimali che lampeggiano.
- 7 Lasciare che la cottura prosegua per il tempo desiderato.

- 8 Premere una volta il tasto ACCESO/SPENTO per fermare la cottura. Tenere premuto per 5 secondi il tasto ACCESO/SPENTO per spegnere la pentola a cottura lenta. Dopo l'uso, disinserire la spina dell'apparecchio dalla presa elettrica.

impostazione del timer (solo CP707)

- 1 Seguire i punti 1 – 5 della suddetta procedura.
- 2 Impostare il tempo desiderato di cottura premendo il tasto timer (+) o il tasto timer (-). È possibile regolare il timer di 30 minuti alla volta, fino a un massimo di 10 ore per le impostazioni bassa (Low) e alta (High). Tuttavia, nel caso dell'impostazione Conservazione del calore (Keep Warm), si imposta automaticamente a un massimo di 2 ore.
- 3 Selezionare l'impostazione desiderata per la cottura, premendo il tasto di impostazione alta (High), bassa (Low) o di conservazione del calore (Keep Warm). Nella parte destra del display appare un'icona, mentre accanto all'impostazione selezionata appare un trattino. Ora l'apparecchio avvia la cottura, come indicato dalle cifre decimali che lampeggiano. Il timer avvia un conto alla rovescia, minuto per minuto. NB: Se non viene selezionata entro 15 giorni una modalità di cottura, il timer si imposta automaticamente a 0:00 e sarà necessario riavzerarlo.
- 4 Al termine della cottura sull'impostazione bassa (Low) o alta (High), la pentola a cottura lenta passa automaticamente all'impostazione per la conservazione del calore (Keep Warm) e avvia il conto alla rovescia a partire da 2 ore. Allo scadere delle 2 ore, la pentola smette di riscaldare le pietanze all'interno e torna a 0:00.

- 5 Tenere premuto per 5 secondi il tasto ACCESO/SPENTO per spegnere la pentola a cottura lenta. Dopo l'uso, disinserire la spina dell'apparecchio dalla presa elettrica.

- **Importante: Se vengono impostati lunghi tempi di cottura con il timer, accertarsi che le pietanze all'interno non si seccino o brucino.**
- Se durante la cottura con il timer occorre modificare il tempo di cottura, basta premere il tasto timer + o timer -.

consigli per l'impostazione

Questi orientamenti sono forniti unicamente a titolo di guida e variano secondo il tipo e delle quantità di pietanze da cuocere.

L'impostazione bassa (Low)

consente di cuocere gradualmente le pietanze durante il giorno e prevede un ciclo di cottura di circa 6-8 ore. Questa impostazione può anche essere utilizzata anche per la cottura di pietanze più delicate, come ad esempio le mele al forno e la frutta cotta in acqua.

L'impostazione alta (High)

velocizza la cottura rispetto all'impostazione alta, con tempi di cottura fra 3 e 5 ore.

Impostazione Conservazione del calore (Keep Warm) –

utilizzare questa impostazione per tenere in caldo le pietanze dopo averle cotte. Si consiglia di tenere al caldo le pietanze per non più di 2 ore dopo la cottura e di spegnere quindi l'apparecchio dopo l'utilizzo. Togliendo il coperchio la temperatura all'interno della pentola si riduce, cercare di sollevare il coperchio il meno possibile e richiuderlo rapidamente.

consigli per l'utilizzo della pentola a cottura lenta

- 1 Preparare e utilizzare gli ingredienti a temperatura ambiente e non alla temperatura di conservazione in frigo. Alcuni ingredienti, come ad esempio la carne e il pesce, non devono restare fuori dal frigo più a lungo del tempo necessario allo sbrinamento e vanno tenuti coperti con pellicola trasparente o aderente. Non preparare le pietanze con anticipo e poi lasciarle fuori dal frigorifero.
- 2 Tagliare gli ortaggi a radice commestibile, come ad esempio carote, cipolle, navoni e così via, in pezzi piuttosto piccoli perché i tempi di cottura sono più lunghi di quella della carne.
- 3 Tagliare ogni tipo di ingrediente in pezzi di uguali dimensioni per consentire una cottura uniforme.
- 4 Può essere utile rosolare la carne e soffriggere gli ortaggi preventivamente in un tegame separato per rimuovere un po' di grasso dalla carne e migliorare l'aspetto e il sapore di entrambi gli ingredienti. Questo accorgimento non è tuttavia essenziale.
- 5 Non sollevare il coperchio più del necessario durante la cottura perché si dissipa il calore e si provoca l'evaporazione dell'acqua di cottura. A seconda della frequenza e della durata del sollevamento del coperchio, può essere necessario allungare i tempi di cottura da 20 minuti a mezz'ora.
- 6 La cottura deve avvenire sempre nella pentola di cottura. Non introdurre mai le pietanze direttamente nell'unità di base.
- 7 Non immergere mai la pentola di cottura rovente nell'acqua fredda subito dopo l'uso o versare acqua bollente in una pentola di cottura fredda e vuota. Un improvviso sbalzo di temperatura potrebbe danneggiare la pentola.
- 8 Dopo alcuni mesi di utilizzo, lo smalto della pentola di cottura potrebbe screpolarsi: si tratta di un effetto comune tra gli articoli in gres porcellanato che non intacca tuttavia l'efficienza della pentola a cottura lenta.
- 9 Se si adattano le ricette con metodi di cottura tradizionali, può essere necessario ridurre la quantità di acqua utilizzata. Nella cottura lenta, l'acqua o il brodo non evapora così rapidamente come nella cottura tradizionale, anche se è necessaria una certa quantità di liquido per favorire il trasferimento di calore.
- 10 Non riempire mai la pentola a cottura lenta oltre i $\frac{2}{3}$ della capienza.
- 11 I prodotti a base di latte, come la panna, la panna acida e lo yoghurt, devono essere aggiunti verso la fine della cottura per evitare la formazione di grumi.
- 12 Le verdure surgelate, come i piselli, vanno scongelate e poi aggiunte nell'ultima $\frac{1}{2}$ -1 ora di cottura. In questo modo si mantengono i colori e la consistenza delle verdure, come anche la temperatura all'interno della pentola.
- 13 I migliori risultati si ottengono quando gli ingredienti sono totalmente immersi nel liquido di cottura.
- 14 Eliminare il grasso in eccesso dalla carne.
- 16 Per la cottura dell'arrosto, accertarsi di distribuire per bene i pezzi nella pentola di cottura e aggiungere sempre acqua. Mescolare di tanto in tanto durante la cottura.

- 16 I tempi di cottura verranno ridotti se si aggiunge del brodo caldo.
- 17 Per addensare il sugo di cottura, mescolare della farina di grano duro con un po' d'acqua fredda per formare un impasto ben amalgamato. Versare l'impasto nella pentola di cottura verso la fine della cottura. Coprire e cuocere per alcuni minuti ancora, finché il sugo non ribolle e si addensa.
- 18 Si ricorda che dal coperchio possono esservi spruzzi.

cura e pulizia

Prima della pulizia, spegnere sempre l'apparecchio, staccare la spina e attendere che si raffreddi.

unità di base

Pulire la parte esterna della pentola a cottura lenta con un panno umido, quindi asciugarla. Non immergere mai l'unità di base nell'acqua.

coperchio, pentola di cottura

Lavare in acqua calda con sapone, risciacquare e asciugare con cura. I residui di cibo accumulati all'interno della scodella possono essere rimossi con una spazzola di setola morbida.

La pentola di cottura e il coperchio possono essere lavati nell'acqua di risciacquo.

manutenzione e assistenza tecnica

- In caso il cavo sia danneggiato, per ragioni di sicurezza deve essere sostituito solo dal fabbricante oppure da un addetto KENWOOD autorizzato alle riparazioni.

Se si ha bisogno di assistenza riguardo:

- uso dell'apparecchio o
- manutenzione o riparazioni

Contattare il negozio dove si è acquistato l'apparecchio.

RICETTE

I tempi di cottura sono indicativi; prima di servire le pietanze verificare sempre che siano ben cotte e calde. Variando la quantità di pietanze, anche i tempi di cottura possono cambiare.

minestra di patate, formaggio Cheddar ed erba cipollina

4 patate medio-grandi, pelate e affettate

1 spicchio d'aglio grande, pelato
475 ml di brodo

220 g di formaggio Cheddar, grattugiato

50 g di erba cipollina, tritata finemente

sale e pepe

Versare nel recipiente di cottura le patate, l'aglio e il brodo. Cuocere sulla posizione alto (High) per 2-3 ore. Versare il contenuto della pentola in un frullatore e lavorarlo alla consistenza desiderata. Ora versare nuovamente la miscela nel recipiente di cottura, aggiungendo il formaggio, l'erba cipollina e i condimenti. Lasciare cuocere per altri 30 minuti sulla posizione alto (High). Prima di servire in tavola è possibile aggiungere altro formaggio oppure della panna.

brasato di manzo con verdure

15 ml/1 cucchiaino da cucina di olio
900 g di controgirello
1 cipolla pelata e tritata finemente
3 carote pelate e tagliate a fette di 1 cm di spessore
500 ml di brodo di manzo caldo

Riscaldare l'olio in una padella per friggere e poi dorare uniformemente la carne. Aggiungere le verdure e rosolarle fino a dorarle leggermente. Versare il tutto nel recipiente di cottura, aggiungere il brodo caldo e infine insaporire. Chiudere con il coperchio e cuocere sulla posizione alto (High) per circa 4 ore, oppure per circa 7-8 ore sulla posizione bassa (Low).

manzo alla birra

600 g di spezzatino magro per stufato
tagliato a cubetti di 2,5 cm
2 patate medie, ciascuna tagliata in 8 spicchi
1 cipolla grossa, tagliata in otto spicchi
2-3 carote, tagliate in pezzi di 2 cm di spessore
300 ml di birra
200 ml di brodo di manzo
20 ml/2 cucchiaini da cucina di prezzemolo fresco, tritato finemente
25 g di timo, privato dei gambi
20-30 ml/1-2 cucchiaini da cucina di farina di grano duro
sale e pepe

Versare tutti gli ingredienti nel recipiente di cottura e cuocerli per circa 5½ ore sulla posizione alto (High), o per circa 7-8 ore sulla posizione bassa (Low).

Miscelare la fecola di mais con un poco di acqua fredda, per avere una pastella uniforme. Togliere il coperchio dalla pentola e aggiungere la miscela, mescolando bene. Rimettere il coperchio e continuare la cottura fino a quando il sughetto sobbolle e si addensa leggermente.

ragù alla bolognese

Utilizzabile come base per gli spaghetti o le lasagne alla bolognese

15ml/1 cucchiaino da cucina di olio
1 cipolla grossa spezzettata
5 fette di pancetta di rigatino, tritate finemente
650 g di manzo magro tritato
1 scatola di pomodori pelati da 454 g, tagliati a fette
1 spicchio d'aglio, pelato e schiacciato
15 ml/1 cucchiaini da cucina pieni di passato o di concentrato di pomodori
sale e pepe
150 g di funghi, tritati finemente

Riscaldare l'olio in una grossa padella per friggere, rosolando la cipolla fino a dorarla e poi versare il tutto nel recipiente di cottura. Aggiungere la pancetta nella padella per friggere, poi rosolarlo e aggiungerlo nel recipiente di cottura. Rosolare la carne fino a dorarla, seguita dai pomodori a pezzetti. Portare il tutto ad ebollizione e poi versarlo nel recipiente di cottura. Versare i restanti ingredienti nel recipiente di cottura della pentola. Ora cuocere sull'impostazione alta (High) per circa 3-4 ore, oppure per circa 6-7 ore sulla posizione bassa (Low).

coq au vin

150 g di pancetta, tagliata a pezzi
1 cipolle medio-grandi, triturate finemente
1 spicchi d'aglio schiacciati
300 g di funghi novelli, tagliati a fette sottili
4 petti di pollo disossati
275 ml di vino rosso
375 ml di brodo di pollo caldo
sale e pepe
farina di grano duro (facoltativa)

Versare tutti gli ingredienti nella pentola a cottura lenta. Mettere il coperchio e cuocere sulla posizione alto (High) per circa 4 ore, oppure per circa 6-7 ore sulla posizione bassa (Low).

Se desiderate, addensare il sughetto aggiungendo un poco di fecola mischiata con dell'acqua. Togliere il coperchio e aggiungere la miscela, mescolando bene (se necessario, prima togliere i petti di pollo e tenerli al caldo mentre si aggiunge la fecola). Rimettere il coperchio e continuare la cottura fino a quando il sughetto sobbolle e si addensa leggermente.

stufato di pollo e dragoncello

15 g di burro
15 ml/1 cucchiaino da cucina di olio
4 petti di pollo
1 cipolla sminuzzata fine
150 ml di vino bianco secco
150 ml di brodo di pollo caldo
4 rametti di dragoncello
50 ml di panna densa
sale e pepe
1 cucchiaino/15ml (circa) di fecola

Riscaldare il burro e l'olio in una padella per friggere. Aggiungere i pezzi di pollo e dorarli in modo uniforme. Versare il pollo nel recipiente di cottura. Friggere la cipolla e poi aggiungerla nel recipiente di cottura insieme al vino, al brodo, a 2 rametti di estragone e ai condimenti. Chiudere con il coperchio e cuocere sull'impostazione alta (High) per circa 3 ore, oppure per circa 6 ore sull'impostazione bassa (Low). A cottura ultimata, togliere dalla pentola i pezzi di pollo e tenerli al caldo. Miscelare fecola e acqua per fare una pastella uniforme e versarla nella pentola a cottura lenta insieme alla panna, mescolando bene. Rimettere i pezzi di pollo nel recipiente di cottura, chiudere con il coperchio e proseguire la cottura fino a quando la miscela si addensa. Al termine, tritare fine il restante estragone e versarlo nella pentola. Servire immediatamente.

mele al forno

3 mele (scegliere quelle di grandezza idonea per la pentola di cottura)
75 g di frutta secca mista
2.5 ml/½ cucchiaino da cucina pieno di cannella
25 g di zucchero di canna
75 ml di acqua fredda

Lavare e togliere il torsolo alle mele, quindi con un coltello affilato tagliare le mele a metà. Inserire le mele nella pentola di cottura. Mescolare la frutta, la cannella e lo zucchero, quindi riempire la parte centrale delle mele con il composto. Aggiungere l'acqua e posizionare il coperchio. Cuocere a temperatura bassa (Low) per circa 2-4 ore (il tempo dipende dalle dimensioni e dalla varietà delle mele).

sformato di riso

75 g di riso a chicchi piccoli o per sformato
50 g di zucchero raffinato
1 litro di latte
25 g di burro
noce moscata macinata

Versare nel recipiente di cottura il riso, lo zucchero e il latte, mescolando bene. Guarnire con scaglie di burro e spolverizzare con della noce moscata. Chiudere con il coperchio e cuocere sulla posizione alto (High) per circa 2-3 ore, oppure per circa 4-5 ore sulla posizione bassa (Low). Dopo 1 ora di cottura, mescolare bene gli ingredienti. Rimescolarli un'altra volta durante la cottura.

chutney di mele

Pezzo di radice di zenzero di circa 1 cm quadrati
7.5 ml di spezie conservanti
700 g di mele per cottura preparate a fette, ad esempio mele Bramley
100 g di uva sultanina
100 g di cipolla, tritata finemente
1 spicchio d'aglio, pelato e schiacciato
250 g di zucchero di canna
250 ml di aceto di malto

Avvolgere la radice di zenzero e le spezie conservanti in un riquadro di tessuto di mussola.

Versare tutti gli ingredienti nella pentola di cottura e mescolare bene.

Posizionare il coperchio e lasciare cuocere a temperatura bassa (Low) per circa 8 ore. Al termine del tempo di cottura, sollevare il coperchio, mescolare gli ingredienti, quindi posizionare la manopola su alto (High) e portare a ebollizione il composto per altri 30-60 minuti o fino a quando non viene raggiunta la consistenza desiderata. Lasciare raffreddare leggermente, versare in vasetti puliti e coprire immediatamente.

La ricetta consente di ottenere circa 900 g di prodotto

Por favor desdobre as ilustrações da primeira página.

antes de usar o seu aparelho Kenwood

- Leia atentamente estas instruções e guarde-as para consulta futura.
- Retire todas as embalagens e eventuais etiquetas.

segurança

- Este equipamento produz vapor que pode provocar queimaduras.
- Evite queimar-se com o vapor que sai da cozedora lenta, especialmente quando remover a tampa.
- Tenha cuidado ao usar a panela de cozedura lenta; todas as peças aquecem com a utilização. **Use luvas de protecção.**
- Evite levantar a base enquanto está em uso e o conteúdo está quente.
- Proceda com extrema precaução quando mover a panela se esta contiver alimentos quentes.
- Nunca utilize uma panela de cozedura lenta que esteja danificada. Mandê-a verificar ou reparar; ver 'assistência e cuidados do cliente'.
- Não utilize a panela se esta estiver rachada ou danificada.
- Nunca coloque a unidade base, o cabo ou a ficha dentro de água – pode apanhar um choque eléctrico. Mantenha os comandos limpos e secos.
- Nunca deixe o cabo pendurado de forma a que uma criança o possa agarrar.
- Desligue sempre a panela de cozedura lenta da tomada quando não estiver a ser utilizada.
- Nunca coloque o aparelho nem quaisquer, dos seus componentes sobre o fogão ou dentro do forno.
- Não utilize o aparelho em superfícies sensíveis ao calor.
- Não utilize a panela de cozedura lenta próximo ou debaixo de cortinas ou de outros materiais combustíveis.

- Utilize apenas a cozedora lenta com a panela fornecida.
- Não utilize fora de casa.
- Cubra a panela apenas com a tampa fornecida.
- Este electrodoméstico não deverá ser utilizado por pessoas (incluindo crianças) com capacidades mentais, sensoriais ou físicas reduzidas ou com falta de experiência e conhecimento, a não ser que sejam supervisionadas ou instruídas sobre o uso do electrodoméstico por uma pessoa responsável pela sua segurança.
- As crianças devem ser vigiadas para garantir que não brincam com o electrodoméstico.
- Use o aparelho apenas para o fim doméstico a que se destina. A Kenwood não se responsabiliza caso o aparelho seja utilizado de forma inadequada, ou caso estas instruções não sejam respeitadas.

segurança alimentar

- Cozinhe bem a carne (incluindo aves), o peixe e o marisco. Nunca cozinhe alimentos sem estes se encontrarem previamente descongelados.
- Não volte a aquecer os alimentos na panela de cozedura lenta.
- Verifique sempre se os alimentos se encontram bem quentes antes de comer.
- Nunca cozinhe parcialmente carne ou aves, deixando depois arrefecer para voltar a cozinhar mais tarde.
- Siga os conselhos de cozedura do fabricante do alimento, especialmente no caso do feijão seco. Por exemplo, o feijão seco vermelho deve ser demolido de um dia para o outro e depois cozido rapidamente no fogão, durante pelo menos 10 minutos, numa panela cheia de água, para destruir as toxinas antes de ser escorrido e colocado na panela de cozedura lenta.

antes de ligar à tomada

- Certifique-se de que a alimentação eléctrica corresponde ao valor indicado na parte inferior do aparelho.
- Este aparelho cumpre com a Directiva 89/336/EEC da Comunidade Económica Europeia.

antes de usar pela primeira vez

- Para limpar os componentes ver "cuidados e limpeza"

legenda

- ① tampa
 - ② panela de cozedura
 - ③ unidade base
 - ④ pegas
 - ⑤ comando rotativo (CP706)
 - ⑥ luz indicadora (CP706)
- ### Modelo CP707
- ⑦ ecrã de informação
 - ⑧ botão de regulação alta (High)
 - ⑨ botão de regulação baixa (Low)
 - ⑩ botão de regulação de manter quente (Warm)
 - ⑪ botão temporizador de aumento de tempo
 - ⑫ botão ON/OFF
 - ⑬ botão temporizador de diminuição de tempo

utilizar a sua cozedora lenta manual (CP706)

- 1 Siga a receita e coloque os ingredientes na panela de cozedura.
- 2 Coloque a panela na base cozedora. **Importante – para evitar queimar-se quando remover a panela, certifique-se que esta está colocada na base da forma como mostram as ilustrações ①, com as pegas da panela alinhadas com as penas da base cozedora.**
- 3 Coloque a tampa e ligue a cozedora à corrente eléctrica.

- 4 Seleccione a regulação desejada, p. ex. alta, baixa ou manter quente. O indicador luminoso acende-se e a cozedura começa.
- 5 Deixe cozinhar durante o tempo pretendido.
- 6 Depois de cozinhado, desligue a panela de cozedura lenta e retire a ficha da tomada.

utilizar a sua cozedora lenta electrónica (CP707)

- 1 Siga a receita e coloque na panela os ingredientes.
- 2 Coloque a panela na base cozedora. **Importante – para evitar queimar-se quando remover a panela, certifique-se que esta está colocada na base da forma como mostram as ilustrações ①, com as pegas da panela alinhadas com as penas da base cozedora.**
- 3 Com a tampa.
- 4 Ligue a cozedora lenta à corrente eléctrica.
- 5 Pressione o botão ON/OFF para ligar a cozedora lenta. O indicador mostra 0:00 e o ecrã ilumina-se. O ecrã apaga-se se nenhum botão for pressionado em 30 segundos.
- 6 Seleccione a regulação desejada, pressionando o botão de regulação para alta, baixa ou manter quente. Um ícone aparece no lado direito do ecrã e aparece também um traço ao lado do modo de cozedura escolhido. A cozedura começa, indicada pelos decimais que piscam.
- 7 Deixe cozinhar o tempo necessário.
- 8 Pressione o botão ON/OFF uma vez para parar a cozedura. Mantenha o botão ON/OFF pressionado durante 5 segundos para desligar a cozedora lenta. Desligue da corrente quando finalizar a utilização.

regulação do temporizador (apenas o modelo CP707)

- 1 Siga as etapas 1 a 5 acima.
- 2 Seleccione a regulação desejada pressionando o botão temporizador de aumento (+) ou diminuição (-). O temporizador pode ser regulado com aumentos de 30 minutos até ao máximo de 10 horas para regulações baixas ou altas, mas será apenas de 2 horas no máximo para a regulação de manter quente.
- 3 Seleccione a regulação desejada pressionando o botão de regulação para alta, baixa ou manter quente. Um ícone aparece no lado direito do ecrã e aparece também um traço ao lado do modo de cozedura escolhido. A cozedura e a contagem de tempo começam indicadas pelos decimais que piscam. O temporizador faz a contagem com incrementos de 1 minuto.
Nota: se não for seleccionado um modo de cozedura no espaço de 15 segundos, o temporizador regressa ao 0:00 e é necessário voltar a escolher o tempo de cozedura.
- 4 No final do tempo de cozedura no modo baixo ou alto, a cozedora lenta inicia automaticamente o modo de manter quente e faz uma contagem decrescente de 2 horas. Após 2 horas, o modo manter quente pára e o mostrador regressa ao 0:00.
- 5 Mantenha o botão ON/OFF pressionado durante 5 segundos para desligar a cozedora lenta. Desligue da corrente quando finalizar a utilização.

- **Importante: Quando cozinhar num modo de temporizador durante períodos longos, certifique-se de que os**

alimentos não secam ou não se queimam.

- Se cozinhar com o temporizador regulado e necessitar de reajustar o tempo de cozedura, pressione simplesmente o botão de aumento ou diminuição de tempo.

instruções de regulação

Os tempos seguintes são apenas indicativos e variam de acordo com o tipo de alimentos utilizados e com as quantidades.

regulação baixa (low) cozinha gradualmente os alimentos durante o dia e leva aproximadamente 6-8 horas. Esta regulação pode ser utilizada em alimentos delicados, que beneficiam com uma cozedura mais lenta, como as maçãs, ou para escaldar frutos.

regulação alta (high) acelera o processo de cozedura em relação à regulação baixa e utiliza tempos entre 3-5 horas.

regulação manter quente (keep warm) – Utilize esta regulação depois de os alimentos terem sido cozinhados, para os manter quentes. Não recomendamos que os alimentos sejam mantidos quentes mais de 2 horas depois de terem sido cozinhados. Desligue totalmente depois de utilizar. Retirar a tampa faz reduzir a temperatura no interior da panela, pelo que deve fazê-lo pelo mínimo de vezes e com a brevidade possível.

conselhos para usar a sua panela de cozedura lenta

- 1 Prepare e use ingredientes à temperatura ambiente, em detrimento de alimentos retirados directamente do frigorífico. Embora alimentos como a carne e o peixe não devam ser deixados fora do frigorífico por mais tempo do que o estritamente necessário, retire-os do frigorífico com a antecedência suficiente para não estarem frios e mantenha-os cobertos com película aderente. Não prepare os alimentos com muita antecedência e não os deixe depois fora do frigorífico.
- 2 Corte os tubérculos tais como cenouras, cebolas, nabos, etc. em pedaços pequenos pois estes demoram mais tempo a cozer do que a carne.
- 3 Corte cada tipo de ingrediente em pedaços de tamanho semelhante por forma a garantir que a cozedura seja uniforme.
- 4 Alourar a carne e saltear previamente os legumes numa outra caçarola irá ajudar a retirar uma determinada quantidade de gordura da carne e contribuirá para um melhor aspecto e sabor tanto da carne como dos legumes. No entanto, isto não é imprescindível.
- 5 Não levante a tampa mais do que o necessário durante o processo de cozedura pois isso dará origem a perda de calor e à evaporação de líquido. Dependendo da quantidade de vezes que se retira a tampa e do tempo que a panela fica destapada, poderá ser necessário prolongar o tempo de cozedura por mais 20 minutos a meia hora.
- 6 A cozedura faz-se sempre dentro da panela de cozedura. Nunca coloque os alimentos directamente na unidade base.
- 7 Nunca mergulhe a panela quente em água fria imediatamente após a sua utilização nem despeje água a ferver para dentro da panela vazia e fria. Se exposta a mudanças de temperatura repentinas a panela poderá rachar.
- 8 Após alguns meses de utilização, o esmalte da panela poderá rachar; isto é normal nos utensílios esmaltados e não afecta a eficácia da panela de cozedura lenta.
- 9 Se estiver a adaptar receitas de culinária convencionais, poderá ter de reduzir a quantidade de líquido usado. Na cozedura lenta o líquido não se evapora tão rapidamente como na cozedura tradicional, embora seja necessária uma determinada quantidade de líquido para facilitar a transferência do calor.
- 10 Nunca encha a panela de cozedura lenta a mais de $\frac{3}{4}$.
- 11 Os produtos lácteos, incluindo natas, natas azedas e iogurte, devem ser adicionados perto do final da cozedura para evitar que talhem.
- 12 Os vegetais congelados como sejam as ervilhas devem ser descongelados e adicionados durante a última $\frac{1}{2}$ -1 hora de cozedura. Este procedimento irá garantir a preservação da cor e textura dos vegetais e da temperatura na panela.
- 13 Obtêm-se melhores resultados quando os ingredientes estão cobertos por líquido.
- 14 Retire a gordura em excesso da carne.
- 15 Ao cozinhar lombos inteiros, certifique-se de que estes cabem folgadoamente na panela de cozedura e adicione sempre líquido. Vire a meio do processo de cozedura.

- 16 A utilização de caldo quente acelera o processo de cozedura.
- 17 Para tornar o molho mais espesso, etc. misture um pouco de amido de milho (ou maizena) com uma pequena quantidade de água fria para obter uma pasta macia. Adicione a mistura na panela perto do final do tempo de cozedura. Tape e cozinhe durante mais algum tempo, até os líquidos estarem a borbulhar e ficarem espessos.
- 18 Tenha em atenção que podem ocorrer salpicos à volta da tampa.

cuidados e limpeza

Antes de limpar, desligue sempre o aparelho, retire a ficha da tomada e deixe arrefecer.

unidade base

Limpe a parte exterior da panela de cozedura lenta com um pano húmido e seque.

Nunca mergulhe a unidade base em água.

tampa, panela de cozedura

Lave em água morna com detergente, enxágue e seque bem. Podem retirar-se os resíduos de alimentos que tenham ficado agarrados ao interior da panela com a ajuda de uma escova macia. A panela de cozedura e a tampa podem ser lavadas na máquina de lavar louça.

assistência e cuidados do cliente

- Caso o fio se encontre danificado, deverá, por motivos de segurança, ser substituído pela KENWOOD ou por um reparador KENWOOD autorizado.

Caso necessite de assistência para:

- utilizar o seu electrodoméstico ou
 - assistência ou reparações
- Contacte o estabelecimento onde adquiriu o electrodoméstico.

RECEITAS

Os tempos mostrados são apenas indicativos, certifique-se sempre que os alimentos estão completamente cozinhados e muito quentes antes de servir. Variação nas quantidades podem afectar os tempos de cozedura.

sopa de batata, queijo Cheddar e cebolinho

4 batatas médias-grandes, peladas e cortadas em fatias.

1 dente de alho grande, descascado

475 ml de caldo

220 g de queijo Cheddar ralado

50 g de cebolinho fresco picado sal e pimenta

Coloque as batatas, o alho e o caldo na panela de cozedura. Cozinhe no Max (High) durante 2-3 horas. Retire a mistura e bata no liquidificador até obter a consistência desejada. Volte a colocar a mistura na panela e adicione o queijo, cebolinha e os temperos. Deixe no Max (High) durante mais 30 minutos. Antes de servir, poderá adicionar queijo e natas se desejar.

assado de vaca na panela com legumes

*15 ml (1 colher sopa) de óleo
900 g de lombo de vaca
1 cebola descascada e picada
3 cenouras descascadas e cortadas em rodelas com 1 cm de espessura
500 ml de caldo de carne de vaca quente*

Aqueça o azeite numa frigideira grande e depois aloure a carne em ambos os lados. Adicione os vegetais e frite até estarem ligeiramente dourados. Transfira a mistura para a panela, adicione o caldo quente e os temperos. Coloque a tampa e cozinhe em lume Max (High) durante aproximadamente 4 horas e em lume Min (Low) durante aproximadamente 7-8 horas.

carne de vaca em cerveja

*600 g de carne de vaca para estufar magra cortada em cubos de 2,5 cm
2 batatas medias, cada qual cortada em oito pedaços
1 cebola grande, cortada em oito pedaços
2-3 cenouras cortadas em pedaços com 2 cm de espessura
300 ml de cerveja
200 ml de caldo de carne de vaca
20 ml (1 colhers sopa) de salsa fresca picada
25 g de tomilho, sem talos
20-30 ml (1-2 colheres sopa) de amido de milho (ou maizena)
sal e pimenta*

Coloque todos os ingredientes na panela de cozedura e cozinhe em lume Max (High) durante aproximadamente 5½ horas ou em lume Min (Low) durante 7-8 horas. Misture o amido de milho e um pouco de água fria para

formar uma pasta macia. Remova a tampa e adicione a mistura à panela mexendo bem. Volte a colocar a tampa e cozinhe durante mais algum tempo até que o molho comece a formar bolhas e esteja ligeiramente espesso.

molho bolonhês

Usar como base para Esparguete á Bolonhesa ou Lasanha

*15 ml (1 colher sopa) de óleo
1 cebola grande, picada
5 fatias de bacon entremeadado picadas
650 g de carne de vaca magra picada
1 latas de 454 g de tomate picado
1 dente de alho descascado e esmagado
15 ml (1 colheres sopa rasas) de polpa de tomate (ou a gosto)
sal e pimenta
150 g de cogumelos, picados finos*

Aqueça o óleo numa frigideira e frite a cebola até estar dourada e transfira-a depois para a panela. Adicione o bacon à frigideira e frite-o e transfira-a depois para a panela. Frite a carne até alourar, adicione o tomate em pedaços e faça ferver, transfira depois para a panela. Coloque os restantes ingredientes na panela. Cozinhe a temperatura alta durante cerca de 3 a 4 horas, ou baixa durante 6-7 horas.

coq au vin

*150 g de bacon cortado em cubos
1 cebolas médias/grandes picadas
1 dentes de alho esmagados
300 g de champignons, cortados
às rodela finas
4 peitos de frango sem osso
275 ml de vinho tinto
375 ml de caldo de galinha quente
sal e pimenta
amido de milho (ou maizena)
(opcional)*

Coloque todos os ingredientes na panela de cozedura lenta. Cubra e cozinhe em lume Max (High) durante 4 horas ou em lume Min (Low) durante aproximadamente 6-7 horas.

Se desejar, engrosse os molhos com algum amido de milho misturado com água até formar uma pasta macia.

Retire a tampa e adicione a mistura à panela mexendo bem (se necessário remova os peitos de galinha e mantenha-os aquecidos enquanto mistura o amido de milho). Volte a colocar a tampa e cozinhe durante mais algum tempo até que o molho comece a formar bolhas e esteja ligeiramente espesso.

estufado de frango com estragão

*15 g de manteiga
15 ml (1 colher sopa) de óleo
4 peitos de frango
1 cebola finamente picada
150 ml de vinho branco seco
150 ml de caldo de galinha quente
4 raminhos de estragão
50 ml de natas
sal e pimenta
1 colher sopa/15ml de amido de
milho (aproximadamente)*

Aqueça a manteiga e o óleo numa frigideira. Adicione a galinha em pedaços e aloure de todos os lados. Transfira a galinha para a panela. Frite a cebola e coloque-a depois na panela com vinho, caldo de galinha, dois ramos de estragão e tempere. Cubra com a tampa e cozinhe a temperatura alta durante cerca de 3 horas, ou baixa durante 6 horas. No final do tempo de cozedura, remova os pedaços de galinha e mantenha quente. Mistura a farinha de milho de maneira a formar uma pasta mole e adicione-a à cozedora lenta com as natas, mexa bem. Volte a colocar os pedaços de galinha na panela, recoloque a tampa e deixe cozinhar o tempo necessário para que a mistura engrosse. Para completar, pique o estragão restante e adicione à panela. Sirva imediatamente.

maçãs assadas

3 maçãs (escolha maçãs do tamanho apropriado para caberem na panela)

75 g de mistura de frutos secos

2.5 ml (½ colher sopa rasa) de canela

25 g de açúcar mascavado

75 ml de água fria

Lave as maçãs e retire-lhes os caroços; depois, com uma faca afiada, faça um corte na casca, à volta do centro de cada uma. Coloque as maçãs na panela de cozedura. Misture os frutos secos, a canela e o açúcar e encha o centro de cada maçã com esta mistura. Adicione a água e tape. Deixe cozer na posição Min (Low) durante cerca de 2-4 horas (o tempo depende do tamanho e da variedade das maçãs).

rice pudding

75 g de arroz de grão curto e arredondado (tipo carolino)

50 g de açúcar refinado

1 litro de leite

25 g de manteiga

noz-moscada moída

Coloque o arroz, açúcar e o leite na panela e misture bem. Guarneça com tiras de manteiga e noz-moscada. Coloque a tampa na posição e cozinhe em lume Max (High) durante aproximadamente 2-3 horas ou em lume Min (Low) durante 4-5 horas. Após 1 hora, mexa o conteúdo da panela e de novo durante a cozedura.

chutney de maçã

Pedaço de raiz de gengibre com cerca de 1 cm

7.5 ml de especiaria de pickle

700 g de maçãs cortadas às rodelas e preparadas (por ex. variedade Bramleys)

150 g de sultanas

150 g de cebola picada finamente

1 dente de alho grande,

descascado e esmagado

250 g de açúcar mascavado

250 ml de vinagre de malte

Ate a raiz de gengibre e a especiaria de pickle num pedaço de tecido.

Coloque todos os ingredientes na panela de cozedura e mexa bem.

Tap e deixe cozer na posição Min (Low) durante cerca de 8 horas.

Passado este tempo, destape, mexa os ingredientes, coloque na posição Max (High) e deixe a mistura ferver durante mais 30 a 60 minutos ou até ter atingido a consistência desejada.

Arrefeça ligeiramente, coloque em frascos limpos e cubra de imediato.

Dá cerca de 1 kg.

Por favor, despliegue la cubierta que contiene las ilustraciones

antes de utilizar su aparato Kenwood

- Lea estas instrucciones atentamente y guárdelas para poder utilizarlas en el futuro.
- Quite todo el embalaje y las etiquetas.

seguridad

- Este aparato produce vapor que podría quemarle.
- No se queme con el vapor que sale de la olla de cocción lenta, especialmente al quitar la tapa.
- Tenga cuidado al manipular la olla de cocción lenta ya que todas las partes se calientan durante el uso.

Utilice guantes para horno.

- No levante la unidad base durante el uso y mientras el contenido todavía esté caliente.
- Tenga mucho cuidado al mover la olla si contiene algo caliente.
- Nunca utilice una olla de cocción lenta dañada. Para solicitar que lo revisen o lo reparen: vea 'servicio técnico y atención al cliente'.
- No utilice la olla si está agrietada o dañada.
- Nunca sumerja la unidad base, el cable o el enchufe en agua – podría recibir una descarga eléctrica. Mantenga los mandos limpios y secos.
- Nunca deje que el cable de alimentación eléctrica cuelgue de un lugar donde un niño pudiera cogerlo.
- Desenchufe siempre la olla de cocción lenta cuando no esté siendo utilizada.
- Nunca coloque el aparato o sus componentes sobre una cocina o en un horno.
- No utilice el aparato sobre superficies sensibles al calor.
- No utilice la olla de cocción lenta cerca o debajo de cortinas u otros materiales combustibles.

- Utilice la olla de cocción lenta únicamente con la olla suministrada.
- No utilice la olla en el exterior.
- No cubra la olla con otra cosa que no sea la tapa facilitada.
- Este aparato no está pensado para ser utilizado por personas (incluyendo niños) con capacidades físicas, sensoriales o mentales disminuidas, o con falta de experiencia o conocimientos, a menos que hayan recibido instrucciones o supervisión en relación con el uso del aparato por parte de una persona responsable de su seguridad.
- Los niños deben ser vigilados para asegurarse de que no juegan con el aparato.
- Utilice este aparato únicamente para el uso doméstico al que está destinado. Kenwood no se hará cargo de responsabilidad alguna si el aparato se somete a un uso inadecuado o si no se siguen estas instrucciones.

seguridad alimentaria

- Cocine bien la carne (incluyendo las aves), el pescado y los mariscos. Y nunca los cocine mientras estén congelados.
- No recaliente comida en la olla de cocción lenta.
- Asegúrese siempre de que la comida esté bien caliente antes de comer.
- Nunca cocine parcialmente la carne y las aves, refrigerándolas a continuación para cocinarlas posteriormente.
- Siga los consejos del fabricante de los ingredientes, en particular en relación con las alubias. Por ejemplo, las alubias rojas se deben dejar en remojo durante la noche y, luego, se deben hervir de forma rápida en una encimera durante al menos 10 minutos en una cacerola

de agua para cocinar fresca con el fin de destruir las toxinas antes de escurrirlas y añadirlas a la olla de cocción lenta.

antes de enchufar la olla de cocción lenta

- Asegúrese de que la corriente eléctrica es la misma que figura en la parte inferior del aparato.
- Este aparato cumple con la Directiva de la Comunidad Económica Europea 89/336/CEE.

antes de utilizar la olla de cocción rápida por primera vez

- Para lavar las piezas, consulte "cuidado y limpieza".

elementos principales

- ① tapa
- ② olla
- ③ unidad base
- ④ asas
- ⑤ mando regulador (CP706)
- ⑥ luz indicadora (CP706)

Modelo CP707

- ⑦ pantalla
- ⑧ botón de posición alto (high)
- ⑨ botón de posición bajo (low)
- ⑩ botón de posición medio (keep warm – mantener caliente)
- ⑪ botón para aumentar el tiempo
- ⑫ botón de encendido/apagado (on/off)
- ⑬ botón para reducir el tiempo

usar su olla de cocción lenta manual (CP706)

- 1 Siga la receta y ponga los ingredientes en la olla.
- 2 Coloque la olla en la unidad base.
Importante – para evitar quemarse al retirar la olla, compruebe que esté colocada en la unidad base tal como se muestra en las ilustraciones ①, con las asas en la olla alineadas con las asas en la unidad base.

- 3 Ponga la tapa y luego enchufe a la toma de corriente eléctrica.
- 4 Seleccione el ajuste deseado, es decir, alto (high), bajo (low) o medio (keep warm). La luz indicadora se iluminará y empezará la cocción.
- 5 Deje cocer durante el tiempo deseado.
- 6 Después de la cocción, apague y desenchufe la olla de cocción lenta.

usar su olla de cocción lenta eléctrica (CP707)

- 1 Siga la receta y ponga los ingredientes en la olla.
- 2 Coloque la olla en la unidad base.
Importante – para evitar quemarse al retirar la olla, compruebe que esté colocada en la unidad base tal como se muestra en las ilustraciones ①, con las asas en la olla alineadas con las asas en la unidad base.
- 3 Coloque la tapa en posición.
- 4 Enchufe la olla de cocción lenta a la toma de corriente eléctrica.
- 5 Apriete el botón de encendido/apagado (on/off) para conectar la olla de cocción lenta. El visualizador mostrará 0:00 y la pantalla se iluminará. La iluminación de la pantalla se apagará si no se aprieta ningún botón en 30 segundos.
- 6 Seleccione el modo de cocción deseado apretando el botón alto (high), bajo (low) o medio (keep warm). Aparecerá un icono a la derecha de la pantalla y un guión al lado del modo de cocción seleccionado. La cocción empezará, indicada por los decimales parpadeantes.
- 7 Deje cocer durante el tiempo deseado.

- 8 Apriete el botón de encendido/apagado (on/off) una vez para detener la cocción. Mantenga apretado el botón de encendido/apagado (on/off) durante 5 segundos para apagar la olla de cocción lenta. Desenchufe la olla de cocción lenta después del uso.

ajustar el temporizador (sólo CP707)

- 1 Siga los pasos 1 – 5 de arriba.
- 2 Seleccione el tiempo de cocción deseado apretando el botón para aumentar el tiempo (+) o el botón para reducir el tiempo (-). El temporizador se puede ajustar en incrementos de 30 minutos hasta un máximo de 10 horas para ajustes bajo (low) y alto (high) pero tomará por defecto un máximo de 2 horas para el ajuste medio (keep warm).
- 3 Seleccione el modo de cocción deseado apretando el botón alto (high), bajo (low) o mantener la posición medio (keep warm). Aparecerá un icono a la derecha de la pantalla y un guión al lado del modo de cocción seleccionado. La cocción y el temporizador de cuenta atrás empezarán, indicado por los decimales parpadeantes. El temporizador empezará la cuenta atrás en incrementos de 1 minuto. Nota: Si no se selecciona un modo de cocción en 15 segundos, el temporizador volverá a 0:00 por defecto y se tendrá que reiniciar.
- 4 Al final del período de cocción en los ajustes bajo (low) o alto (high), la olla de cocción lenta tomará por defecto el ajuste medio (keep warm) y realizará la cuenta atrás desde el período de 2 horas. Después de 2 horas, el calor se detendrá y la pantalla volverá a 0:00.

- 5 Mantenga apretado el botón de encendido/apagado (on/off) durante 5 segundos para apagar la olla de cocción lenta. Desenchufe la olla de cocción lenta después del uso.
- **Importante: Al cocinar en modo temporizador durante períodos largos de tiempo, asegúrese de que la comida no se seque o se queme.**
 - Si durante la cocción con el temporizador regulado, desea ajustar el tiempo de cocción, simplemente apriete o el botón para aumentar o para reducir el tiempo.

pautas de ajuste

Los tiempos siguientes son una guía y variarán según el tipo de alimento que se va a cocinar y la cantidad.

Posición bajo (low) - Cocinará la comida poco a poco durante el día y cuesta aproximadamente 6-8 horas. Esta posición también se puede utilizar al cocinar alimentos más delicados que se beneficiarían de una velocidad de cocción ligeramente más baja como, por ejemplo, manzanas asadas o fruta cocida.

Posición alto (high) - Acelerará el proceso de cocción en comparación con la posición bajo (Low) con tiempos de cocción de entre 3 y 5 horas.

Posición medio (keep warm –mantener caliente) – Utilice esta posición una vez que la comida ya esté cocinada para mantenerla caliente. Recomendamos no mantener la comida caliente durante más de 2 hora tras la cocción, y apagar el aparato después de su uso. Al quitar la tapa se reducirá la temperatura dentro de la olla, por eso procure tener la olla destapada lo mínimo posible y vuelva a colocar la tapa rápidamente.

consejos sobre el uso de su olla de cocción lenta

- 1 Prepare y utilice ingredientes a temperatura ambiente en vez de recién sacados del frigorífico. Sin embargo, ingredientes como la carne y el pescado no se deberían dejar fuera del frigorífico más tiempo de lo necesario, por lo tanto, sáquelos del frigorífico sólo para quitar el frío y cúbralos con film transparente o plástico para envolver. No prepare comida por adelantado si después la va a dejar fuera de la nevera.
- 2 Corte las raíces comestibles como zanahorias, cebollas, colinabos, etc, en trozos bastante pequeños, ya que les cuesta más cocerse que a la carne.
- 3 Corte cada tipo de ingrediente en trozos de igual tamaño, esto ayudará a una cocción uniforme.
- 4 Dorar la carne y saltear la verdura primero en una cacerola aparte ayudará a eliminar una cierta cantidad de grasa de la carne, así como a mejorar el aspecto y el sabor tanto de la carne como de la verdura. Sin embargo, esto no es imprescindible.
- 5 No levante la tapa más de lo necesario durante la cocción ya que esto causará una pérdida de calor y evaporación de líquido. Puede que sea necesario, dependiendo de la frecuencia con la que se quita la tapa y durante cuánto tiempo, alargar el tiempo de cocción entre 20 minutos y media hora más.
- 6 La cocción siempre tiene lugar dentro de la olla. Nunca ponga comida directamente en la unidad base.
- 7 Nunca sumerja la olla caliente en agua fría inmediatamente después de su uso ni vierta agua hirviendo en una olla fría vacía. Someterla a un cambio repentino de temperatura podría hacer que se agrietara.
- 8 Después de varios meses de uso el esmalte de la olla puede agrietarse: esto es común en la cerámica de gres esmaltada y no afectará a la eficacia de la olla de cocción lenta.
- 9 Si está adaptando recetas de la cocina tradicional, puede que deba reducir la cantidad de líquido utilizado. En la cocción lenta, el líquido no se evapora tan rápidamente como en la cocina tradicional, aunque una cierta cantidad de líquido es necesaria para ayudar a la transmisión del calor.
- 10 Nunca llene la olla de cocción lenta más de $\frac{2}{3}$.
- 11 Los productos lácteos, incluyendo la nata, la nata agria y el yogur se deben añadir hacia el final de la cocción para ayudar a combatir cualquier cuajo que se pueda producir.
- 12 La verdura congelada, como los guisantes, se debe descongelar y añadir durante la última $\frac{1}{2}$ -1 hora de cocción. Esto garantizará la conservación del color y la textura de la verdura, así como la temperatura de la olla.
- 13 Los mejores resultados se obtienen cuando los ingredientes están cubiertos de líquido.
- 14 Quite el exceso de grasa de la carne.
- 15 Al cocinar trozos de carne enteros, asegúrese de que caben bien en la olla y añada líquido continuamente. Deles la vuelta durante el proceso de cocción.
- 16 Utilizar caldo caliente acelerará el proceso de cocción.
- 17 Para espesar la salsa oscura, etc, mezcle algo de maizena con un poco de agua fría para formar una pasta suave. Añada la mezcla a la olla hacia el final del tiempo de

cocción. Tape y cocine durante más tiempo hasta que los jugos borboteen y se espesen.

- 18 Observe que se pueden producir salidas de vapor alrededor de la tapa.

cuidado y limpieza

Apague, desenchufe y deje siempre que el aparato se enfríe antes de limpiarlo.

unidad base

Limpie el exterior de la olla de cocción lenta con un trapo húmedo y, a continuación, séquela.

Nunca sumerja la unidad base en agua.

tapa, olla

Lavar en agua jabonosa templada, aclarar y luego secar

completamente. La comida que se haya quedado pegada en el interior del bol se puede quitar con ayuda de un cepillo de cerdas suaves.

La olla y la tapa se pueden lavar en el lavavajillas.

servicio técnico y atención al cliente

- Si el cable está dañado, por razones de seguridad, debe ser sustituido por KENWOOD o por un técnico autorizado por KENWOOD.

Si necesita ayuda sobre:

- el uso del aparato o
 - el servicio técnico o reparaciones
- Póngase en contacto con el establecimiento en el que compró el aparato.

RECETAS

Los ajustes de tiempo son sólo pautas, compruebe siempre que la comida esté bien cocida y muy caliente antes de servir. Las variaciones de cantidad también pueden afectar a los tiempos de cocción.

sopa de patata, queso Cheddar y cebollinos

4 patatas medianas, peladas y troceadas

1 diente de ajo grande, pelado

475 ml de caldo

220 g de queso Cheddar, rallado

50 g de cebollinos frescos, picados sal y pimienta

Ponga las patatas, el ajo y el caldo en la olla. Cocine a fuego Alto (High) durante 2-3 horas. Retire la mezcla y pásela por una licuadora para alcanzar la consistencia deseada. Vuelva a poner la mezcla en la olla y añada el queso, los cebollinos y el condimento. Déjelo en la posición Alto (High) durante 30 minutos más. Antes de servir, se pueden añadir más queso y nata.

estofado de ternera con verdura

15 ml de aceite

900 g de trozos de ternera para guisar

1 cebolla pelada y picada

3 zanahorias peladas y cortadas en trozos de 1 cm de grosor

500 ml de caldo de buey caliente

Caliente el aceite en una sartén y, a continuación, dore el buey por todos los lados. Añada la verdura y fríala hasta que esté ligeramente dorada. Pase la mezcla a la olla, añada el caldo caliente y sazone. Coloque la tapa en su sitio y cueza en la posición Alto (High) durante aproximadamente 4 horas o Bajo (Low) durante aproximadamente 7-8 horas.

ternera en cerveza

600 g bistec sin grasa para estofado
cortado en dados de 2,5 cm
2 patatas medianas, cada una cortada en ocho trozos
1 cebolla grande, cada una cortada en ocho trozos
trozos
2-3 zanahorias cortadas en trozos de 2 cm de grosor
300ml de cerveza
200ml de caldo de buey
20 ml de perejil fresco, picado
25 g de ramillete de tomillo, sin los tallos
20-30 ml de maizena
sal y pimienta

Ponga todos los ingredientes en la olla y, luego, cueza en la posición Alto (High) durante aproximadamente 5½ horas o Bajo (Low) durante aproximadamente 7-8 horas. Mezcle la maizena con un poco de agua fría para formar una pasta suave. Quite la tapa, añada la mezcla a la olla y remueva bien. Vuelva a tapar y cueza durante más tiempo hasta que los jugos borboten y se espesen ligeramente.

salsa boloñesa

Utilícela como base para los espagueti boloñesa o lasaña

15ml de aceite
1 cebolla grande, troceada
5 lonchas de bacon, cortadas en trocitos
650 g de ternera sin grasa picada
1 latas de 454 g de tomates picados
1 diente de ajo, pelado y machacado
15 ml de concentrado de tomate o al gusto
sal y pimienta
150 g de champiñones, finamente cortados

Caliente el aceite en una sartén grande y fría la cebolla hasta que esté dorada, luego pásela a la olla. Añada el bacon a la sartén, fríalo y añádala a la olla. Fría la carne hasta que esté dorada, añada los tomates picados y lleve la mezcla a ebullición; a continuación, páselo a la olla. Ponga los ingredientes restantes en la olla. Cueza en la posición Alto (High) durante unas 3-4 horas o en la posición Bajo (Low) durante unas 6-7 horas.

coq au vin

150 g de bacon, cortado en dados
1 cebollas medianas/grandes,
picadas
1 dientes de ajo machacados
300 g de champiñones pequeños,
cortados gruesos
4 pechugas de pollo deshuesadas
275ml de vino tinto
375ml de caldo de pollo caliente
sal y pimienta
maizena (opcional)

Ponga todos los ingredientes en la olla de cocción lenta. Tape y cueza en la posición Alto (High) durante 4 horas o Bajo (Low) durante aproximadamente 6-7 horas.

Si lo desea, espese los jugos con un poco de maizena mezclada para formar una pasta suave con agua. Quite la tapa, añada la mezcla a la olla y remueva bien (en caso necesario, retire las pechugas de pollo y manténgalas calientes mientras añades la maizena). Vuelva a tapar y cueza durante más tiempo hasta que los jugos borboten y se espesen ligeramente.

guisado de pollo y estragón

15 g de mantequilla
15 ml de aceite
4 pechugas de pollo
1 cebolla finamente picada
150 ml de vino blanco seco
150 ml de caldo de pollo caliente
4 ramitos de estragón
50 ml de nata para montar
sal y pimienta
1 cucharada sopera/15ml de
maizena (aproximadamente)

Caliente la mantequilla y el aceite en una sartén. Añada los trozos de pollo y dórelos por ambos lados. Pase el pollo a la olla. Fría la cebolla y póngala en la olla con el vino, el caldo, 2 ramitas de estragón y el condimento. Cubra con la tapa y cueza en la posición Alto (High) durante unas 3 horas o en la posición Bajo (Low) durante unas 6 horas aproximadamente. Al final del período de cocción, retire los trozos de pollo y manténgalos calientes. Mezcle la maizena con un poco de agua para formar una pasta suave y añádala a la olla de cocción lenta con la nata, remueva bien. Vuelva a poner los trozos de pollo en la olla, ponga la tapa otra vez y deje cocer durante más tiempo hasta que la mezcla espese. Al terminar, trocee finamente el estragón restante y añádalo a la olla. Sirva inmediatamente.

manzanas asadas

3 manzanas para asar (elijalas de un tamaño adecuado para que quepan bien en la olla)
75 g de frutos secos mezclados
2.5 ml de canela
25 g de azúcar moreno
75 ml de agua fría

Lave y quite el corazón a las manzanas, luego con un cuchillo afilado haga un corte en la piel alrededor del centro de cada una. Ponga las manzanas en la olla. Mezcle los frutos, la canela y el azúcar y luego rellene el centro de cada manzana con la mezcla. Añada el agua y ponga la tapa en su sitio. Cocine en la posición Bajo (Low) durante aproximadamente 2-4 horas (esto dependerá del tamaño y variedad de las manzanas).

arroz con leche

75 g de arroz de grano corto o arborio
50 g de azúcar blanco de granulado muy fino
1 litro de leche
25 g de mantequilla
nuez moscada molida

Ponga el arroz, el azúcar y la leche en la olla y remueva bien. Ponga virutas de mantequilla por encima y espolvoree con nuez moscada. Ponga la tapa en su sitio y cueza en la posición Alto (High) durante aproximadamente 2-3 horas o Bajo (Low) durante 4-5 horas. Después de 1 hora remueva el contenido de la olla, y remuévalo de nuevo durante la cocción.

chutney de manzana

Un trozo de raíz de jengibre de unos 1 cm cuadrados
7.5 ml de especias de encurtido
700 g de manzanas para asar cortadas en rodajas, por ejemplo, las Bramley
100 g de pasas sultana
100g de cebolla finamente cortada
1 diente de ajo grande, pelado y machacado
150 g de azúcar moreno
150ml de vinagre de malta

Ate la raíz de jengibre y las especias de encurtido dentro de un trocito de gasa. Ponga todos los ingredientes en la olla y remueva bien. Ponga la tapa en su sitio y cueza en Bajo (Low) durante aproximadamente 8 horas. Al final de este tiempo, quite la tapa, remueva los ingredientes y, luego, gire a la posición Alto (High) y deje que la mezcla hierva durante 30-60 minutos más o hasta que se haya alcanzado la consistencia requerida. Deje enfriar ligeramente en tarros limpios y tape inmediatamente.

Se hacen unos 1 kg

Fold forsiden med illustrationerne ud.

antes de utilizar su aparato Kenwood

- Lea estas instrucciones atentamente y guárdelas para poder utilizarlas en el futuro.
- Quite todo el embalaje y las etiquetas.

sikkerhed

- Dette apparat frembringer damp, som du kan brænde dig på.
- Undgå at blive brændt af den damp der kommer ud af el-gryde, særligt når låget tages af.
- Vær forsigtig når du bruger din el-gryde, da alle delene opvarmes ved anvendelse. **Brug ovnhandsker.**
- Undgå at løfte termostaten ved brug og mens indholdet er varmt.
- Vær yderst forsigtig hvis el-gryden flyttes når indholdet er varmt.
- Få den eftersat og repareret. Se under 'service og kundepleje'.
- El-gryden bør ikke anvendes, hvis den på nogen måde er revnet eller beskadiget.
- Anbring aldrig termostat, ledningen eller stikket i vand, da det kan afgive elektrisk stød. Hold dens kontrolenheder tørre og rene.
- Lad ikke ledningen hænge løst ned hvor et barn kan gribe ud efter den.
- Sluk altid for din elgryde når den ikke er i brug.
- Anbring aldrig apparatet eller dens dele på et komfur eller i en ovn.
- Brug ikke apparaterne på varmemfølsomme overflader.
- Brug aldrig din el-gryde i nærheden af gardiner eller andre brandbare materialer.
- El-gryden bør kun anvendes med den medfølgende gryde.
- Må ikke anvendes udendørs.
- Tildæk aldrig gryden med andet end det medfølgende låg.

- Dette apparat er ikke tilsigtet brug af personer (inklusive børn) med reducerede fysiske, sansemæssige eller mentale evner, eller mangel på erfaring og kendskab, undtagen hvis de er blevet vejledt eller givet instrukser i brugen af apparatet af en person, der er ansvarlig for deres sikkerhed.
- Børn bør overvåges for at sikre, at de ikke leger med apparatet.
- Anvend kun apparatet til husholdningsbrug. Kenwood påtager sig ikke erstatningsansvar, hvis apparatet ikke anvendes korrekt eller disse instruktioner ikke følges.

fødevarerikkerhed

- Tilbered kød (herunder fjerkræ) fisk og skaldyr helt igennem. Tilbered dem aldrig fra frosen tilstand.
- Maden må ikke genopvarmes i din el-gryde.
- Sørg altid for, at maden er varmet helt igennem før det indtages.
- Man må aldrig delvist tilberede kød og fjerkræ for derefter at nedfryse det igen til senere tilberedning.
- Følg anvisninger fra produktforhandleren særligt når det drejer sig om tørrede bønner. Tørre røde kidney bønner skal f. eks lægges i blød natten over og koges i min. 10 minutter i en gryde og derefter skylles godt og sigtes for at fjerne toksiner. Først da kan de bruges i videre tilberedning i elgryden.

Inden der tændes

- Sikre dig at strømforsyningen er den samme som på undersiden af apparatet.
- At apparatet er i overensstemmelse med EØS direktivet 89/336/EEC.

Inden det anvendes første gang

- For rengøring se afsnittet 'pleje og rengøring'

nøgle

- ① låg
- ② gryder
- ③ termostat
- ④ håndtag
- ⑤ kontrolknapper (CP706)
- ⑥ indikatorlys (CP706)

Model CP707

- ⑦ display-skærm
- ⑧ høj (High) indstillingsknap
- ⑨ lav (Low) indstillingsknap
- ⑩ hold (Warm) lun-indstillingsknap
- ⑪ knap til forlængelse af kogetid
- ⑫ TÆND(ON)/SLUK(OFF) knap
- ⑬ knap til forkortelse af kogetid

sådan anvendes din manuelle el-gryde (CP706)

- 1 Følg opskriften og anbring ingredienserne i gryden.
- 2 Anbring gryden i termostaten.
Vigtigt – for at undgå at blive brændt når gryden fjernes, kontrolleres det at den er anbragt i (baseenheden) termostaten, som vist på billedet ①, med grydens håndtag på lige linje med håndtagene på (baseenheden) termostaten.
- 3 Kom låget på og sæt el-gryden i stikkontakten.
- 4 Vælg derefter den ønskede indstilling dvs. høj (High), lav (Low) eller hold lun. Indikatorlyset tændes og tilberedning påbegyndes.
- 5 Følg derefter anvisningen for tilberedningstiden.
- 6 Når retten er færdig slukker du for din elgryde og tager ledningen ud.

sådan anvendes din elektroniske el-gryde (CP707)

- 1 Følg opskriften og kom ingredienserne i gryden.
- 2 Anbring gryden i termostaten.
Vigtigt – for at undgå at blive brændt når gryden fjernes, kontrolleres det at den er anbragt i termostaten, som vist på billedet ①, med grydens håndtag på linje med håndtagene på termostaten.
- 3 Anbring låget i den korrekte position.
- 4 Sæt el-gryden i stikkontakten.
- 5 Tryk på TÆND(ON)/SLUK(OFF) knappen for at tænde for el-gryden. Displayet vil vise 0:00 og skærmen begynder at lyse. Lyset i skærmen vil slukke, hvis der ikke vælges nogle indstillinger i løbet af 30 sekunder.
- 6 Vælg den ønskede indstilling ved at trykke på indstillingsknapperne høj (High), lav (Low) eller hold lun. Et ikon kommer til syne på højre side af skærmen, og en skrå streg fremkommer ved siden af den valgte tilberedningsfunktion. Tilberedning påbegyndes og tiden indikeres af de blinkende tal.
- 7 Lad ingredienserne koge i den ønskede tid.
- 8 Tryk på TÆND(ON)/SLUK(OFF) knappen en gang for at stoppe funktionen. Hold TÆND(ON)/SLUK(OFF) knappen nede i 5 sekunder for at slukke for el-gryden. Tag el-gryden ud af stikkontakten efter brug.

indstilling af tid (gælder kun CP707)

- 1 Følg trin 1 – 5 som overfor.
 - 2 Indstil den ønskede tilberedningstid ved at trykke på knapperne for forlængelse (+) eller forkortelse (-) af kogetiden. Uret kan indstilles til forøgelse hvert 30 minut op til et maksimum af 10 timer ved lav (Low) og høj (High) indstilling, men vil som standard gå til hold lun-indstillingen i maksimalt 2 timer.
 - 3 Vælg den ønskede indstilling ved at trykke på knappen høj (High), lav (Low) eller hold lun. Et ikon kommer til syne på højre side af skærmen, og en skrå streg fremkommer ved siden af den valgte tilberedningsfunktion. Nedtællingen af tilberedning og tid påbegyndes, som indikeret af de blinkende tal. Uret viser nedtællingen i intervaller på ét minut.
Bemærk: hvis der ikke vælges en tilberedningsfunktion inden for 15 sekunder nulstilles uret automatisk til 0:00 og genindstilling er nødvendigt.
 - 4 Ved afslutningen af tilberedningstiden ved indstillingerne høj (High) og lav (Low), vil el-gryden automatisk gå til hold lun-indstillingen og påbegynde nedtælling fra 2 timer. Efter 2 timer slukker varmen og displayet vender tilbage til indstillingen 0:00.
 - 5 Hold TÆND(ON)/SLUK(OFF) knappen nede i 5 sekunder for at slukke for el-gryden. Tag el-gryden ud af stikkontakten efter brug.
- **Vigtigt: Kontrollér at maden ikke tørrer ud eller brænder på ved tilberedning med tidsfunktion i forlængede perioder.**
 - Hvis du, ved tilberedning med tidsfunktionen, ønsker at justere tilberedningstiden trykkes der enten på knappen for forlængelse eller forkortelse af kogetiden.

retningslinjer for indstillinger

De følgende tider er kun vejledende og kan variere efter hvilken type mad der tilberedes, samt hvilken mængde

lav (low) indstilling vil gradvist blive tilberedt i løbet af en dag og tager almindeligvis 6-8 timer. Denne indstilling kan også anvendes, når der tilberedes sartere madvarer, som har fordel af en lidt lavere tilberedningshastighed som f.eks. bagte æbler og pocheret frugt.

høj (high) indstilling vil fremskynde tilberedningsprocessen, i sammenligning med den lave indstilling, og har en tilberedningstid på mellem 3-5 timer.

hold lun-indstilling (keep warm) – Anvend denne funktion til at holde maden varm, efter den er færdig tilberedt. Vi anbefaler at maden ikke holdes varm i længere end 2 timer efter endt tilberedning og derefter slukkes. Bemærk venligst, at ved aftagning af låget reduceres varmen i gryden, og derfor bør låget ikke tages af i længere tid og bør sættes hurtigt på igen.

forslag til hvordan du kan bruge din el-gryde

- 1 Tilbered og anvend hellere ingredienserne ved stuetemperatur snarere end direkte fra køleskabet. Ingredienser så som fisk og kød bør dog ikke være i stuetemperatur længere end højest nødvendigt. Sådanne ingredienser bør først tages ud for at afkøle inden tilberedning og skal dækkes til med husholdningsfilm eller lignende inden brug. Mad der er tilberedt i forvejen skal altid kommes i køleskabet. Det må ikke efterlades på køkkenbordet.

- 2 Skær grøntsager så som gulerødder, løg og kålroer i små stykker, da de er længere tid om at blive møre end f. eks kød.
- 3 For at sikre en jævn tilberedning bør ingredienserne udskæres i passende stykker alt efter deres størrelse.
- 4 Stegning af kød og sautering af grøntsager på hver deres pande sikrer, at noget af fedtstoffet fjernes; dette vil igen få retten til både at smage bedre og fremtræde mere indbydende, men det er dog ikke absolut nødvendigt.
- 5 Hold så vidt muligt låget lukket under tilberedningen så varmen ikke slipper ud og saften fra retten fordamper. Såfremt det er nødvendigt at lette på låget for at røre i retten kan tilberedningstiden forlænges med yderligere 20-30 minutter.
- 6 Tilbered altid retten i gryden. Anbring aldrig mad direkte på termostaten.
- 7 Anbring aldrig gryden i koldt vand lige efter brug og hæld ikke koldt vand direkte i gryden; hvis den udsættes for pludselige temperaturudsving, kan der opstå revner.
- 8 Efter flere måneders brug, kan glaseringen på stentøjet få lidt revner, dette er normalt på glaseret stentøj og vil ikke påvirke effektiviteten af din el-gryde.
- 9 Hvis du laver mad efter traditionelle opskrifter, skal du muligvis bruge mindre væske. Når man tilbereder en ret langsomt, fordamper saften ikke så hurtigt som ved traditionel tilberedning, selv om en vis del væske er nødvendig for at fordele varmen jævnt.
- 10 Fyld aldrig din elgryde mere end $\frac{2}{3}$ fuld.
- 11 Mælkeprodukter, herunder fløde, creme fraiche og yoghurt bør tilsættes til sidst for at undgå, at retten kommer til at skille.
- 12 Frosne grøntsager såsom ærter bør tøs op og først tilføres den sidste $\frac{1}{2}$ -1 time af madlavningen. Dette vil sikre at farve og struktur bibeholdes i grøntsagen samt temperaturen i gryden.
- 13 De bedste resultater opnås når ingredienserne er dækket af væske.
- 14 Fjern overskydende fedtstof fra kødet.
- 15 Når store stykker kød/stege tilberedes, skal stykkerne passe til gryden og væske skal altid tilsættes. Fjern noget af væsken i løbet af tilberedningen.
- 16 Hvis der tilsættes varm bouillon forkortes tilberedningstiden.
- 17 Hvis sovsen skal jævnes, kan der tilsættes lidt majsmeel med en smule koldt vand. Dette skal gøres til sidst. Dæk det til og lad det simre indtil saften fra maden er lettere tyktflydende og gennemstegt.
- 18 Bemærk venligst at nogen sprøjtning kan forekomme rundt omkring el-grydens låg.

vedligeholdelse og rengøring

Sørg altid for at apparatet er slukket og afkølet før det rengøres.

Termostaten

Tør overfladen på din el-gryde af med en fugtig klud og lad den herefter tørre. Sænk aldrig termostaten ned i vand.

låg, gryde

VAfvaskes af med varmt sæbevand, afskyl og aftør af. Madrester, der sidder fast, kan fjernes med en blød børste. Både låg og gryde kan tåle at komme i opvaskemaskine.

service og kundepleje

- Hvis ledningen er beskadiget, skal den af sikkerhedsgrunde udskiftes af KENWOOD eller en autoriseret KENWOOD-reparatør.
- Hvis du har brug for hjælp med:
- at bruge apparatet eller
 - servicering eller reparation
- Kontakt den butik hvor du oprindeligt købte dit produkt.

OPSKRIFTER

Tilberedningstiderne er udelukkende vejledende, kontroller altid at maden er gennemtilberedt og helt varm inden servering. Forskel i mængde kan ligeledes indvirke på tilberedningstiden.

kartoffel- og ostesuppe med purløg

4 mellemstore kartofler, skrælet og skåret i skiver
1 stort fed pillet hvidløg
0,475 dl bouillon
220 gr revet ost, f. eks Cheddar ost
50 g. friskt klippet purløg
salt og peber

Kom kartofler, hvidløg og bouillon i gryden. Kog på Høj (High) indstilling i 2-3 timer. Tag blandingen af og blend det i blenderen, indtil du opnår den ønskede konsistens. Kom blandingen tilbage i gryden og tilføj ost, purløg og krydderier. Lad retten simre ved Høj (High) indstilling i yderligere 30 minutter. Før servering kan du tilføje ekstra ost og fløde.

grydestegt oksekødsstuvning med grøntsager

1 spsk. olie
900 g oksesteg
1 pillet og hakket løg
3 skrællede gulerødder skåret i stykker på ca. 1 cm.
0,5 dl oksekødsbouillon

Opvarm olien på en pande og brun oksekødet på alle sider. Tilføj grøntsager og brun dem til de er gyldenbrune.

Kom blandingen i gryden, tilføj den varme bouillon, og krydderier. Kom låget på og lad det simre på Høj (High) indstilling i ca. 4 timer eller ved Lav (Low) indstilling ca. 7-8 timer.

oksekød i øl

600 g magert oksestykke (til grydesteg) udskåret i stykker på ca. 2,5 cm.
2 mellemstore kartofler, som hver er skåret i otte stykker
1 stort løg, skåret i otte stykker
2-3 gulerødder, skåret i stykker på ca. 2 cm.
0,3 dl øl
0,2 dl oksekødsbouillon
1 tsk. friskskåren persille
ca. 25 g. timian, fjern stængler
1-2 tsk. majsmeel
salt og peber

Kom alle ingredienserne i gryden og lad det simre ved Høj (High) indstilling i ca. 5½ timer eller ved Lav (Low) indstilling i ca. 7-8 timer. Bland majsmeel og lidt koldt vand sammen for at forme en jævn pasta. Fjern låget og kom blandingen i gryden og rør godt rundt. Sæt låget på igen og lad det koge i yderligere tid indtil væden bobler og bliver en smule tyk.

bolognaise sovs

Brug en base til Spaghetti Bolognaise eller Lasagne

- 1 spsk. olie
- 1 store løg, skåret i skiver
- 5 stk. røgede baconstrimler skåret i stykker
- 650 g hakket oksekød
- 1 dåser flåede tomater á ca. 450 g. hver
- 1 pillet fed hvidløg
- 1 spk. tomatpuré (smages til)
- salt og peber
- 150 g. champignon skåret i fine stykker

Opvarm olien på en stor stegepande og steg løgene indtil de er gyldenbrune og kom dem derefter over i gryden. Tilfør bacon til stegepanden og steg det og kom det derefter i gryden. Steg kødet indtil det er brunet, tilfør de hakkede tomater og bring blandingen i kog. Kom derefter blandingen i gryden. Kom de resterende ingredienser i gryden. Tilbered på indstillingen Høj (High) i ca. 3-4 timer eller på Lav (Low) i ca. 6-7 timer

coq au vin

- 150 g. skiveskåret røget bacon
- 1 mellemstore hakkede løg
- 1 fed knust hvidløg
- 300 g. markchampignon skåret i tykke skiver
- 4 stk. kyllingebryst (udbenede)
- 0,275 dl. rødvin
- 0,375 dl kyllingebouillon
- salt og peber
- majsmel (valgfrit)

Anbring alle ingredienserne i. Sæt låget på og lad det simre ved Høj (High) indstilling i ca. 4 timer eller ved Lav (Low) indstilling i ca. 6-7 timer. Hvis det er ønsket, kan du gøre saucen tykkere ved at komme noget majsmel, blandet med vand i form af en jævn pasta, i. Fjern låget og kom blandingen i gryden og rør godt rundt (hvis det er

nødvendigt fjernes kyllingebrysterne, og de holdes varme, mens du tilfører majsmålet). Sæt låget på igen og lad det simre i yderligere tid, indtil væden bobler og er blevet en smule tykkere.

kyllingegrydesteg med estragon

- 15 g. smør
- 1 tsk. olie
- 4 stk. kyllingebryst
- 1 løg fint hakket
- 0,15 dl hvidvin
- 0,15 dl varmt kyllingebouillon
- 4 estragon kviste
- 0,50 dl fløde
- salt og peber
- 1 tsk./15ml majsmel ca.)

Opvarm smør og olie på en stegepande. Tilfør kyllingestykkerne og brun dem på begge sider. Kom kyllingestykkerne over i gryden. Steg løgene og kom dem i gryden sammen med vin, bouillon, 2 kviste estragon samt krydderier. Læg låget på gryden og lad det koge på Høj (High) i ca. 3 timer eller på Lav (Low) i ca. 6 timer. Ved slutningen af tilberedningstiden fjernes kyllingestykkerne og holdes varme evt. under folie. Bland majsmel med lidt vand således at det bliver en blød masse. Tilfør det til gryden sammen med fløden og rør derefter godt. Kom kyllingestykkerne tilbage i gryden, kom låget på og lad blandingen koge i den resterende tid, indtil blandingen tykner. Når retten er færdig snittes resten af estragonen og dette kommes i gryden. Server øjeblikkeligt.

bagte æbler

3 madæbler (vælg en størrelse, der passer til gryden)

75 g. blandet tørret frugt

½ tsk. kanel

25 g. puddersukker

0,75 dl kold vandt

Vask og skær æblernes kernehuse ud og skær æblerne over på midten, så man har to halvdele pr. æble. Læg så æble halvdelene i gryden. Bland så frugt, kanel og sukker sammen og anbring fyldet i æblernes midte. Tilsæt så vand og læg låget på og sæt indstillingen på Lav (Low) i omkring 2-4 timer (afhængigt af æblernes sort og størrelse).

risdessert

75 g. grødris

50 g. almindeligt hvidt strøsukker

1 l. mælk

25 g. smør

knust muskatnød

Kom ris, sukker og mælk i gryden og rør godt rundt. Kom en klat smør oven på og drys med muskatnød. Kom låget på og kog ingredienserne på Høj (High) indstilling i ca. 2-3 timer eller ved Lav (Low) indstilling i 4-5 timer. Efter 1 time røres indholdet rundt og kogeprocessen fortsættes.

Æblechutney

1 stykke frisk ingefær, ca. 1 cm i alt

7.5 ml sødede syltekrydderier

700 g madæbler (gerne af sorten

Bramley)

udskåret i skiver

100 store rosiner

100 g. finhakket løg

1 stor fed hvidløg, pilet og hakket

150 g. puddersukker

150 g æble eller malteddike

Læg ingefær og syltekrydderierne/urterne i en lille stofpose af let bomuldsstof. Anbring alle ingredienserne i gryden og rør godt rundt. Lad ingredienserne simre på Lav (Low) indstilling i 8 timer og lad evt. blandingen koge i yderligere 30-60 minutter på den Høj (High) indstilling, indtil den ønskede konsistens er opnået. Afkøl massen og anbring den derefter i rene sylteglas og dæk dem til med det samme.

Samlede færdige mængde er ca. 900 g.

Vik ut främre omslaget med bilderna.

innan du använder din

Kenwood-apparat

- Läs bruksanvisningen noggrant och spara den för framtida bruk.
- Avlägsna allt emballage och alla etiketter.

säkerhet

- Denna apparat avger ånga som kan bränna dig.
- Akta dig för varm ånga som kommer från grytan, särskilt när du lyfter på locket.
- Var försiktig när du hanterar din slow-cooker, alla delar blir varma under användning. **Använd grytlappar.**
- Undvik att lyfta upp basenheten under användning och medan innehållet är varmt.
- Var extremt försiktig när du flyttar grytan om innehållet är varmt.
- Använd aldrig en skadad slow-cooker. Se till att den kontrolleras eller repareras: se 'service och kundtjänst'.
- Använd inte grytan om den är sprucken eller skadad på något sätt.
- Sänk aldrig ner basenheten, sladden eller kontakten i vatten – du kan få en elektrisk stöt. Se till att reglagen hålls rena och torra.
- Låt aldrig sladden hänga ner där ett barn kan få tag på den.
- Dra alltid ur kontakten när apparaten inte används.
- Ställ aldrig apparaten eller delarna på en kokplatta eller i ugnen.
- Använd aldrig apparaten på värmekänsliga ytor.
- Använd inte apparaten nära eller under gardiner eller andra brandfarliga material.
- Använd bara grytan med den medföljande kastrullen.
- Får ej användas utomhus.
- Täck inte över grytan med något annat än det medföljande locket.

- Den här apparaten är inte avsedd för användning av personer (inklusive barn) med begränsad fysisk eller mental förmåga eller begränsad känsel. Den är inte heller avsedd för användning av personer med bristande erfarenhet eller kunskap, om de inte övervakas eller får instruktioner om hur apparaten ska användas av en person som ansvarar för deras säkerhet.
- Barn får inte lov att leka med apparaten. Lämna dem inte ensamma med den.
- Använd apparaten endast för avsett ändamål i hemmet. Kenwood tar inte på sig något ansvar om apparaten används på felaktigt sätt eller om dessa instruktioner inte följs.

matsäkerhet

- Tillaga kött (och fågel), fisk och skaldjur ordentligt. Tillaga aldrig frysta råvaror.
- Återuppvärm inte mat i slow-cookern.
- Se alltid till att maten är ordentligt varm innan du äter den.
- Tillaga aldrig kött och kyckling delvis för att sedan kyla och laga färdigt senare.
- Följ tillagningsråden från tillverkaren särskilt noga när det gäller torkade bönor. Röda kidneybönor ska exempelvis blötläggas över natten och sedan koka kraftigt i minst 10 minuter i en kastrull med friskt vatten. Detta för att gifterna ska förstöras innan bönorna sköljs och kan tillsättas i slow-cookern.

före anslutningen

- Kontrollera att den elektriska spänningen är densamma som den som anges på undersidan av apparaten.
- Denna apparat uppfyller kraven enligt EEC Direktiv 89/336/EEC.

innan du använder din slow-cooker för första gången

- Diska delarna se 'skötsel och rengöring'.

key

- ① lock
 - ② gryta
 - ③ basenhet
 - ④ handtag
 - ⑤ kontrollknapp (CP706)
 - ⑥ indikatorlampa (CP706)
- ### Modell CP707
- ⑦ display
 - ⑧ knapp för hög effekt (High)
 - ⑨ knapp för låg effekt (Low)
 - ⑩ varmhållningsknapp (Warm)
 - ⑪ knapp för ökning av timertid
 - ⑫ PÅ/AV-knapp
 - ⑬ knapp för minskning av timertid

använda långkoksgrytan (CP706)

- 1 Följ receptet och lägg ingredienserna i kokkärlet.
- 2 Placera kastrullen på basenheten.
OBS! För att undvika brännskador när du lyfter av kastrullen ska du se till att den är placerad på basenheten enligt illustrationerna ① och att handtagen på kastrullen är i linje med handtagen på basenheten.
- 3 Sätt på locket och anslut långkoksgrytan till vägguttaget.
- 4 Välj önskad inställning, dvs. hög, låg eller varmhållning. Indikatorlampan tänds och tillagningen börjar.
- 5 Koka så länge som önskas.
- 6 När du kokat färdigt stänger du av och drar ut kontakten på din slow-cooker.

använda den elektroniska långkoksgrytan (CP707)

- 1 Följ receptet och lägg ingredienserna i kastrullen.
- 2 Placera kastrullen på basenheten.
OBS! För att undvika brännskador när du lyfter av kastrullen ska du se till att den är placerad på basenheten enligt illustrationerna ① och att handtagen på kastrullen är i linje med handtagen på basenheten.
- 3 Lägg på locket.
- 4 Anslut långkoksgrytan till vägguttaget.
- 5 Starta långkoksgrytan genom att trycka på PÅ/AV-knappen. Displayen visar 0:00 och skärmen tänds. Skärmbelysningen slocknar om inga knappar trycks in under 30 sekunder.
- 6 Välj önskat tillagningsläge genom att trycka på knappen för hög effekt, låg effekt eller varmhållning. En ikon visas till höger på skärmen och ett streck visas bredvid det valda tillagningsläget. Tillagningen börjar, vilket indikeras av att decimalerna blinkar.
- 7 Tillaga under önskad tid.
- 8 Avbryt tillagningen genom att trycka en gång på PÅ/AV-knappen. Håll PÅ/AV-knappen nedtryckt under 5 sekunder för att stänga av långkoksgrytan. Dra ut stickkontakten ur vägguttaget efter användning.

ställa in timern (endast CP707)

- 1 Följ steg 1–5 ovan.
- 2 Ställ in önskad tillagningstid genom att trycka knappen för att öka (+) eller minska (-) timertiden. Timern kan ställas in i steg om 30 minuter upp till maximalt 10 timmar för låg och hög effekt, men övergår som standard till en maximal inställning på 2 timmar vid varmhållning.
- 3 Välj önskat tillagningsläge genom att trycka på knappen för hög effekt, låg effekt eller varmhållning. En ikon visas till höger på skärmen och ett streck visas bredvid det valda tillagningsläget. Tillagningen och nedräkningen av timern börjar, vilket indikeras av att decimalerna blinkar. Timern räknar ned i steg om 1 minut.

Obs! Om du inte väljer ett tillagningsläge inom 15 sekunder, återgår timern till 0:00 och måste ställas in på nytt.

- 4 När tillagningen på hög eller låg effekt är klar, övergår timern som standard till varmhållningsläget och räknar ned från 2 timmar. Efter 2 timmar avbryts uppvärmningen och displayen återgår till 0:00.

- 5 Håll PÅ/AV-knappen nedtryckt under 5 sekunder för att stänga av långkoksgrytan. Dra ut stickkontakten ur vägguttaget efter användning.

- **Obs! När du använder timerläget under långa tidsperioder måste du kontrollera att maten inte torkar eller bränns vid.**
- Om du vill ändra tillagningstiden under tillagning med timer, trycker du bara på timern för att öka eller minska timertiden.

riktlinjer för inställningar

Följande tider är bara riktlinjer och varierar beroende på vilken typ av livsmedel som tillagas och i vilka kvantiteter.

låg (low) effekt: Maten tillagas långsamt under dagen. Tillagningen tar cirka 6-8 timmar. Den här inställningen kan också användas vid tillagning av känsliga livsmedel som blir bättre då de tillagas något långsammare, som bakade äpplen och inkokt frukt.

hög (high) effekt: Snabbare tillagning än vid Låg effekt. Tillagningstider mellan 3-5 timmar.

varmhållning (keep warm): Använd den här inställningen när maten har tillagats och du vill hålla den varm. Vi rekommenderar att maten inte varmhålls under mer än 2 timmar efter tillagningen och att grytan stängs av därefter. Om locket tas av sänks temperaturen i kastrullen. Därför bör du lyfta på locket så lite som möjligt och alltid lägga på det snabbt igen.

förslag på hur du kan använda din slow-cooker

- 1 Använd ingredienser som legat ett tag i rumstemperatur hellre än att ta dem direkt från kylskåpet. När det gäller sådana ingredienser som kött och fisk ska de däremot inte vara ute ur kylskåpet längre än nödvändigt, så ta ut dessa en liten stund innan matlagningen för att avlägsna kylan och täck med folie eller gladpack. Förbered inte maten långt i förväg och låt den ligga utanför kylskåpet.
- 2 Skär rotfrukter som morötter, lök, kålrötter osv. i lite mindre bitar då de måste kokas längre än kött.
- 3 Skär samtliga ingredienser i lika stora bitar för att underlätta vid tillagningen.

- 4 Bryn köttet och grönsakerna först i en annan panna om du vill få bort en del av fett. Detta förbättrar även utseende och smak hos både kött och grönsaker. Detta är förstås inte nödvändigt.
- 5 Lyft inte på locket oftare än nödvändigt under tillagningen då detta gör att värmen minskar och vätskan avdunstar. Om du lyfter ofta på locket kan det behövas ytterligare 20-30 minuters koktid.
- 6 Tillaga alltid maten i kokkärlet. Lägg aldrig mat direkt i basenheten.
- 7 Sänk aldrig ner det varma kokkärlet i kallt vatten direkt efter användning, och håll aldrig kokande vatten i ett tomt och kallt kokkärl. Om man utsätter kokkärlet för en snabb temperaturväxling kan det spricka.
- 8 När grytan använts i flera månader kan laseringen spricka: detta är vanligt med laserat stengods och påverkar inte slow-cookers funktion.
- 9 Om du använder dig av recept för traditionell matlagning kan du behöva minska mängden vätska. Vid långsam tillagning dunstar inte vätskan lika mycket som vid traditionell matlagning även om en viss mängd vätska behövs för att överföra värme.
- 10 Fyll aldrig din slow-cooker till mer än $\frac{2}{3}$.
- 11 Mjölksprodukter, såsom grädde, crème fraiche och yoghurt, tillsätts i slutet av tillagningen för att undvika att såsen skär sig.
- 12 Frusna grönsaker som ärtor ska tinas och tillsättas under den sista $\frac{1}{2}$ – 1-timman av tillagningen. Då bibehålls grönsakernas färg och struktur samt värmen i grytan.
- 13 De bästa resultaten uppnås när ingredienserna täcks av vätska.
- 14 Ta bort överflödigt fett från köttet.
- 15 När du tillagar hela stekar, se till att de passar i grytan och tillsätt alltid vatten. Vänd steken under tillagningen.
- 16 Tillagningstiden förkortas om du använder varm buljong.
- 17 Vill du göra såsen tjockare blandar du lite maizena med lite kallt vatten. Tillsätt maizena-blandningen i grytan i slutet av tillagningen. Täck med lock och koka ytterligare en stund tills vätskan har sjudit och tjocknat.
- 18 Observera att det kan stänka något kring locket.

skötsel och rengöring

Stäng alltid av, dra ut kontakten och låt apparaten kallna innan du börjar rengöra.

basenhet

Torka av utsidan på slow-cookern med en fuktig trasa och torka den sedan torr. Sänk aldrig ner basenheten i vatten.

lock, kokkärl

Tvätta i varmt vatten med diskmedel, skölj och torka sedan noggrant. Mat som har fastnat på insidan av grytan kan tas bort med hjälp av en mjuk diskborste. Kokkärlet och locket kan diskas i diskmaskin.

service och kundtjänst

- Om sladden är skadad måste den av säkerhetsskäl bytas ut av KENWOOD eller av en auktoriserad KENWOOD-reparatör.
- Om du behöver hjälp med:
- att använda apparaten eller
- service eller reparationer Kontakta återförsäljaren där du köpte apparaten.

RECEPT

Tiderna är enbart riktlinjer. Kontrollera alltid att maten är ordentligt genomstekt och rykande het innan du serverar den. Varierande kvantiteter kan också påverka tillagningstiderna.

soppa med potatis, ost och gräslök

4 medelstora potatisar, skalade och skivade
1 stor vitlöksklyfta, skalad
0,475 dl buljong
220 ost (Cheddar el. motsv.), riven
50 gr färsk hackad gräslök
salt och peppar

Tillsätt potatis, vitlök och buljong i grytan. Koka på Hög (High) i två timmar. Häll över blandningen i en mixer och mixa till önskad konsistens. Häll tillbaka blandningen i grytan och tillsätt ost, gräslök och kryddor. Låt koka på Hög (High) i ytterligare 30 minuter. Innan du serverar kan du tillsätta extra ost och grädd.

biffstek med grönsaker

1 matsked olja
900 gr innanlår
1 lök, skalad och hackad
3 morötter, skalade och skurna i
1 cm tjocka skivor
5 dl varm köttbuljong

Värm olja i en stekpanna och bryn köttet på alla sidor. Tillsätt grönsakerna och stek tills de är gyllenbruna. Häll över blandningen i currygrytan, tillsätt den varma buljongen och kryddorna. Lägg på locket och koka på Hög (High) i cirka 4 timmar och Låg (Low) i cirka 7-8 timmar.

biff i öl

600 gr grytbitar
skurna i 2,5 cm stora kuber
2 medelstora potatisar, delade i åtta bitar
1 stor lök, delad i åtta bitar
2-3 morötter, skurna i 2 cm tjocka bitar
3 dl öl
2 dl köttbuljong
1 msk färsk persilja, hackad
25 gr timjan, stjälkar borttagna
1-2 matskedar maizena
salt och peppar

Tillsätt alla ingredienser i currygrytan och koka på Hög (High) i cirka 5½ timmar och Låg (Low) i cirka 7-8 timmar. Blanda majsena med lite kallt vatten så att en mjuk pasta bildas. Ta bort locket och tillsätt blandningen i den kokande grytan och rör om väl. Lägg på locket på nytt och låt koka upp till vätskan bubblar och har tjocknat något.

bolognaisesås

Använd som bas till Spagetti Bolognese eller Lasagne

1 matsked olja
1 stor lök, hackad
5 skivor hackad bacon
650 gr köttfärs
1 x 454 g burkar krossade tomater
1 vitlöksklyfta, skalad och krossad
1 msk tomatpuré eller enligt smak
salt och peppar
150 gr champinjoner,
finhackade

Värm oljan i en stor stekpanna och stek löken tills den är gyllenbrun, häll därefter över i grytan. Tillsätt bacon i stekpannan och stek upp, häll över i grytan. Stek köttet tills det är brynt, tillsätt hackade tomater och koka upp. Häll över i grytan. Tillsätt återstående ingredienser i grytan. Tillaga på Hög (High) effekt i cirka 3-4 timmar eller Låg (Low) effekt i cirka 6-7 timmar.

coq au vin

150 gr bacon, tärnad
1 large/stora lökar, hackade
1 krossade vitlöksklyftor
300 gr champinjoner, tjockt skivade
4 befria kycklingbröst
2,75 dl rött vin
3,75 dl varm hönsbuljong
salt och peppar
maizena (om du vill)

Lägg i alla ingredienser i grytan. Lägg på locket och koka på Hög (High) i cirka 4 timmar eller Låg (Low) i cirka 6-7 timmar.

Du kan reda av vätskan med lite majsenamjöl blandat med vatten. Ta bort locket och tillsätt blandningen i currygrytan och rör om väl (ta eventuellt upp kycklingbrösten och håll dem varma medan du tillsätter majsenan). Lägg på locket på nytt och låt koka upp till vätskan bubblar och har tjocknat något.

kyckling och dragon-gryta

15 gr smör
1 msk olja
4 kycklingbröst
1 lök, finhackad
1,5 dl torr vitt vin
1,5 dl varm hönsbuljong
4 kvistar dragon
0,5 dl vispgrädde
salt och peppar
1 tsk/15 ml majsena (cirka)

Värm smöret och oljan i en stekpanna. Tillsätt kycklingen och bryn på båda sidor. Lägg över kycklingen i grytan. Stek löken och tillsätt den i grytan i tillsammans med vin, buljong, 2 dragonkvistar och kryddor. Lägg på locket och koka på Hög (High) effekt i cirka 3 timmar eller Låg (Low) effekt i cirka 6 timmar. Vi slutet av koktiden tar du upp kycklingen och håller den varm. Blanda majsena med vatten till en smidig pasta och tillsätt i grytan

tillsammans med grädde. Rör om väl. Lägg tillbaka kycklingen i kastrullen och lägg på locket. Låt allt koka ytterligare en stund så att såsen tjocknar. När tillagningen är klar finhackar du resten av dragonen och tillsätter den. Servera direkt.

bakade äpplen

3 matlagningsäpplen (välj sådana som passar storleksmässigt i grytan)
75 gr blandad torkad frukt
½ tsk kanel
25 gr farinsocker
0,75 dl kallt vatten

Skölj och kärna ur äpplena, ta sedan en vass kniv och skär en skåra i skalet runt mitten på varje äpple. Lägg i äpplena i grytan. Blanda frukt, kanel och socker och fyll sedan mitten på varje äpple med blandningen. Tillsätt vatten och lägg locket på plats. Koka på Låg (Low) ca 2-4 timmar (beroende på äpplenas storlek och antal).

rispudding

75 gr rundkornigt ris/grötris
0,5 dl socker
1 liter mjölk
25 gr smör
mald muskot

Tillsätt ris, socker och mjölk i grytan. Rör om väl. Toppa med smörklickar och pudra över muskot. Lägg på locket och koka på Hög (High) i cirka 2-3 timmar eller Låg (Low) i cirka 4-5 timmar. Rör om i grytan efter en timmas kokning och sedan en gång till under tillagningen.

äpplechutney

Färsk ingefära, ca 1 kubikcentimeter

7,5 ml inläggningskrydda

700 gr matlagningsäpplen,

skivade

100 gr sultanrussin

100 gr finhackad lök

1 klyfta vitlök, skalad och krossad

1,5 gr farinsocker

1,5 dl maltvinäger

Vira in ingefärsroten och inläggningskryddan i en liten bit tunt bomullstyg. Lägg i alla ingredienserna i kokkärlet och blanda väl. Lägg på locket och koka på Låg (Low) i ca 8 timmar. Ta bort locket i slutet av tillagningstiden, rör om ingredienserna och vrid om till Hög (High). Låt sedan blandningen koka i ytterligare ca 30-60 minuter eller tills önskad konsistens har uppnåtts. Kyl en stund, häll sedan över i rena burkar och förslut genast.

Blir ca 900 g.

Brett ut framsiden med illustrasjoner

før du tar Kenwood-apparatet i bruk

- Les nøye gjennom denne bruksanvisningen og ta vare på den slik at du kan slå opp i den senere.
- Fjern all emballasje og eventuelle merkesedler.

forsiktighetsregler

- Dette apparatet avgir damp som kan gi forbrenninger.
- Unngå å brenne deg på damp som kommer ut av trykkokeren, særlig når du tar av lokket.
- Vær forsiktig når du håndterer trykkokeren; alle delene blir varme når de brukes. **Bruk grillvotter.**
- Unngå å løfte kokeelementet mens det er i bruk og mens innholdet fortsatt er varmt.
- Vær meget forsiktig når du flytter på kokebeholderen dersom den inneholder varm mat.
- Aldri bruk trykkokeren hvis den er skadet. Få den undersøkt eller reparert; se 'service og kundetjeneste'.
- Ikke bruk kokebeholderen hvis det er sprekker i den eller den er skadet på annen måte.
- Sett aldri kokeelementet, ledningen eller kontakten i vann - du kan få elektrisk sjokk. Hold kontrollknappene rene og tørre.
- La aldri ledningen henge slik at et barn kan få ta i den.
- Ta alltid ut kontakten når trykkokeren ikke er i bruk.
- Sett aldri apparatet eller dets komponenter på en komfyr eller inn i en ovn.
- Ikke bruk apparatet i nærheten av overflater som er overfølsomme for varme.
- Ikke bruk trykkokeren i nærheten av eller under gardiner eller andre lettantennelige materialer.
- Bruk bare trykkokeren sammen med kokebeholderen som hører til.
- Må ikke brukes utendørs.

- Ikke dekk kokebeholderen med andre ting enn lokket som hører til.
- Apparatet er ikke ment brukt av personer (inkludert barn) med reduserte fysiske, sensoriske eller mentale evner, eller med manglende erfaring og kunnskap, med mindre vedkommende har fått tilsyn eller opplæring i hvordan apparatet skal betjenes av en person som er ansvarlig for vedkommendes sikkerhet.
- Barn må ha tilsyn for å sikre at de ikke leker med apparatet.
- Bruk bare apparatet til dets tiltenkte hjemlige bruk. Kenwood frasier seg ethvert ansvar ved feilaktig bruk eller dersom apparatet ikke er brukt i henhold til denne bruksanvisningen.

matsikkerhet

- Kok kjøtt (også fjærfe), fisk og sjømat godt. Kok aldri slik mat i fryst tilstand.
- Ikke gjenoppvarm mat i trykkokeren.
- Vær nøye med at maten er rykende varm før du spiser.
- Kok aldri kjøtt og fjærfe halvveis for så å sette tilbake i kjøleskapet for senere koking.
- Følg matprodusentens kokeråd, særlig når det gjelder tørkede bønner. For eksempel bør tørkede røde nyrebønner legges i vann over natten og så hurtigkokes på en komfyr i minst 10 minutter i en panne med friskt, kokende vann. Dette for å eliminere giftstoffer før bønnene siles og legges i trykkokeren.

før du setter i kontakten

- Kontroller at strømforsyningen tilsvarer den som vises på undersiden av apparatet.
- Dette apparatet følger retningslinjene for EØS-direktiv 89/336/EEC.

før du bruker apparatet første gang

- Vaske delene, se "stell og rengjøring"

tegnforklaring

- ① lokk
 - ② kokebeholder
 - ③ kokeelement
 - ④ håndtak
 - ⑤ kontrollknapp (CP706)
 - ⑥ indikatorlampe (CP706)
- ### **Modell CP707**
- ⑦ displayskjerm
 - ⑧ knapp til innstilling for sterk varme (High)
 - ⑨ knapp til innstilling for svak varme (Low)
 - ⑩ knapp til innstilling for å holde matten varm (Warm)
 - ⑪ knapp til økning av tid
 - ⑫ PÅ/AV-knapp
 - ⑬ knapp til reduksjon av tid

slik bruker du den manuelle trykkokeren (CP706)

- 1 Følg oppskriften og ha ingrediensene i kokebeholderen.
- 2 Sett kokebeholderen ned i kokeelementet. **Viktig – for å unngå å brenne deg når du fjerner kokebeholderen må du sørge for at den plasseres i kokeelementet som vist på tegningene ①, med håndtakene på kokebeholderen på linje med håndtakene på kokeelementet.**
- 3 Sett på lokket og sett støpselet i kontakten.
- 4 Velg ønsket innstilling, dvs. høy, lav eller hold varm. Indikatorlampen lyser og kokingen starter.
- 5 La koke i ønsket tid.
- 6 Etter koking: Slå av trykkokeren og trekk ut strømkontakten.

slik bruker du den elektroniske trykkokeren (CP707)

- 1 Følg oppskriften og ha ingrediensene i kokebeholderen.
- 2 Sett kokebeholderen i kokeelementet. **Viktig – for å unngå å brenne deg når du fjerner kokebeholderen må du sørge for at den plasseres i kokeelementet som vist på tegningene ①, med håndtakene på kokebeholderen på linje med håndtakene på kokeelementet.**
- 3 Sett på lokket.
- 4 Sett støpselet i kontakten.
- 5 Trykk på PÅ/AV-knappen for å slå den på. Displayet viser 0:00 og skjermen lyser. Skjermbelysningen slås av dersom det ikke trykkes på noen knapp innen 30 sekunder.
- 6 Velg ønsket kokemodus ved å trykke på innstillingsknappen for høy, lav eller hold varm. Det vises et ikon til høyre på skjermen, og en strek ses ved siden av valgt kokemodus. Kokingen begynner, noe som angis av at desimalene blinker.
- 7 La det koke i ønsket tid.
- 8 Trykk på PÅ/AV-knappen én gang for å stanse kokingen. Hold PÅ/AV-knappen nede i 5 sekunder for å slå trykkokeren av. Trekk støpselet ut av kontakten etter bruk.

stille tidsuret (kun CP707)

- 1 Følg trinn 1 – 5 ovenfor.
- 2 Still inn ønsket koketid ved å trykke inn knappen for økt tid (+) eller redusert tid (-). Tidsuret kan stilles i trinn på 30 minutter inntil maksimum 10 timer for lav og høy innstilling, men vil gå tilbake til standard maksimum 2 timer for hold varm-innstillingen.

- 3 Velg ønsket kokemodus ved å trykke på innstillingsknappen for høy, lav eller hold varm. Det vises et ikon på høyre side av skjermen og en strek ses ved siden av valgt kokemodus. Koking og nedtellingsuret starter, det angis av blinkende desimaler. Tidsuret teller ned i trinn på 1 minutt. Merk: hvis det ikke velges en kokemodus innen 15 sekunder, går tidsuret tilbake til standard 0:00, og det må stilles igjen.
 - 4 På slutten av koketiden på lav eller høy, går trykkokeren tilbake til standard hold varm-innstilling og teller ned fra 2 timer. Etter 2 timer stanser varmingen og displayet går tilbake til 0:00.
 - 5 Hold PÅ/AV-knappen nede i 5 sekunder for å slå trykkokeren av. Trekk ut støpselet etter bruk.
- **Viktig: Når du koker i tidsurmodus i lengre tid må du passé på at maten ikke tørker ut eller svir seg.**
 - Dersom du, når tidsuret er stilt, ønsker å justere koketiden, trykker du enten på knappen for økt tid eller redusert tid.

innstillingsveiledning

Følgende tider er bare til veiledning og vil variere i henhold til type mat som kokes og mengden som kokes.

lav innstilling (low) koker maten gradvis i løpet av dagen og tar ca. 6-8 timer. Denne innstillingen kan dessuten benyttes når du koker mer ømtålelig mat som med fordel kan kokes litt saktere, f.eks. bakte epler, posjert frukt.

høy innstilling (high) gjør kokeprosessen raskere sammenlignet med den lave innstillingen, med koketider på mellom 3-5 timer.

hold varm-innstilling (keep warm) – Bruk denne innstillingen når maten er ferdig slik at du holder den varm. Vi anbefaler at maten ikke holdes varm lengre enn i 2 timer etter koking, og slå den deretter av etter bruk. Hvis du tar av lokket reduserer det temperaturen inni kokebeholderen, så gjør dette minst mulig og legg lokket raskt på igjen.

tips når du bruker trykkokeren

- 1 Tilbered matvarene i romtemperatur istedenfor å ta dem direkte fra kjøleskapet. Men matvarer som kjøtt og fisk bør ikke oppbevares i romtemperatur lengre enn nødvendig. Ta kjøtt og fisk ut av kjøleskapet bare for å tine, og dekk over med plastfolie. Ikke tilbered maten på forhånd uten å sette den tilbake i kjøleskapet.
- 2 Kutt rotgrønnsaker som gulrøtter, løk, kålrot etc. i relativt små biter. Slike grønnsaker må ha lengre koketid enn kjøtt.
- 3 Kutt alle ingredienser i like store biter. Det gjør at alt blir like mye kokt.
- 4 Om du først bruner kjøttet og sauterer grønnsakene i en separat panne, vil det bidra til å fjerne en del av fettene fra kjøttet. I tillegg vil både kjøttet og grønnsakene se bedre ut og smake bedre. Det er imidlertid ikke absolutt nødvendig å gjøre dette.
- 5 Ikke løft lokket mer enn nødvendig under kokingen. Det vil føre til varmetap og væskefordampning. Avhengig av hvor ofte og hvor lenge om gangen lokket tas av, kan det være nødvendig å koke 20-30 minutter ekstra.
- 6 Kok alltid i kokebeholderen. Legg aldri mat direkte i kokeelementet.
- 7 Legg aldri den varme

kokebeholderen i kaldt vann rett etter bruk, og ikke tøm varmtvann i en tom og kald kokebeholder.

Plutselige temperatursvingninger kan gjøre at beholderen slår sprekker.

- 8 Når du har brukt kokebeholderen i noen måneder, kan den begynne å få riper. Dette er vanlig for steintøy med glass, og reduserer ikke trykkokerens effektivitet.
- 9 Hvis du bruker oppskrifter fra tradisjonell koking, kan du bli nødt til å redusere tilførselen av væske. Langsom koking innebærer at væsken ikke fordampes så raskt som ved vanlig koking, selv om det er nødvendig med en viss væskemengde for at varmen skal slippe ut.
- 10 La aldri trykkokeren være mer enn $\frac{3}{4}$ full.
- 11 Melkeprodukter - innbefattet fløte, rømme og yoghurt - bør tilsettes mot slutten av koketiden, slik at det ikke oppstår klumper.
- 12 Frosne grønnsaker, f.eks. erter, må tines og tilsettes den siste $\frac{1}{2}$ -1 timen. Dette holder på fargen og konsistensen på grønnsakene, og temperaturen i kokekaret.
- 13 Det beste resultatet oppnår du når ingrediensene er dekket med væske.
- 14 Skjær bort overflødig fett fra kjøtt.
- 15 Når du koker hele steker: Pass på å legge stekene godt på plass i trykkokeren og tilsett alltid væske. Snu steken etter at den har kokt en stund.
- 16 Hvis du bruker varm suppekraft, vil det fremskynde kokeprosessen.
- 17 Når du vil gjøre saus o.l. tykkere, kan du blande litt maismel med kaldt vann, slik at du får en fin jevning. Ha blandingen i kokebeholderen mot slutten av koketiden. Sett på lokk og kok til væskene bobler og har tyknet.
- 18 Legg merke til at det kan sprute litt rundt lokket.

vedlikehold og rengjøring

Slå alltid av trykkokeren før du rengjør den. Trekk ut kontakten og la kokeren avkjøles.

kokeelement

Tørk av utsiden av trykkokeren med en fuktig klut og la den tørke. Legg aldri kokeelementet i vann.

lokk, kokebeholder

Vask lokk og kokebeholder i varmt såpevann, skyll og tørk grundig. Matrester på innsiden av beholderen kan fjernes med en myk børste. Kokebeholderen og lokket kan vaskes i oppvaskmaskinen.

service og kundetjeneste

- Dersom ledningen er skadet må den av sikkerhetsmessige grunner erstattes av KENWOOD eller en autorisert KENWOOD-reparatør.

Hvis du trenger hjelp med å:

- bruke apparatet eller
 - service eller reparasjoner
- kontakt forhandleren der du kjøpte apparatet.

OPPSKRIFTER

Tidene er kun ment til veiledning. Pass alltid på at maten er gjennomkokt og rykende varm før den serveres.

Variasjoner i mengden mat som kokes kan også påvirke koketidene.

potet-, cheddarost- og gressløksuppe

- 4 middelsstore poteter, skrelte og skåret i skiver*
- 1 stor kløft hvitløk, skrellet*
- 475 ml suppekraft*
- 220 g Cheddarost, revet*
- 50 g frisk gressløk, hakket salt og pepper*

Ha poteter, hvitløk og kraft i kokekaret. Kok på Sterk (High) i 2-3 timer. Ta ut innholdet og kjøp i hurtigmikseren til du får ønsket konsistens. Ha blandingen i kokekaret igjen og tilsett ost, gressløk og salt og pepper. La det stå på Sterk (High) i ytterligere 30 minutter. Før servering kan du ha i ekstra ost og fløte.

braissert oksestek med grønnsaker

- 15 ml/1 spiseskje olje*
- 900 g bogstek*
- 1 løk, skrellet og hakket*
- 3 gulrøtter, skrellet og delt i 1 cm tykke skiver*
- 500 ml varm suppekraft av storfekjøtt*

Varm oljen i en stekepanne og brun deretter kjøttet på alle sider. Tilsett grønnsakene og stek til de er lyst gyldne. Ha blandingen i kokekaret, tilsett den varme kraften og salt og pepper. Legg på lokket og kok på Sterk (High) i ca. 4 timer og Svak (Low) i ca. 7-8 timer.

kjøtt i øl

- 600 g mager grytestek delt i terninger på 2,5 cm*
- 2 middelsstore poteter, hver kuttet i åtte biter*
- 1 stor løk, kuttet i åtte biter*
- 2-3 gulrøtter, delt i 2 cm tykke deler*
- 300 ml øl*
- 200 ml suppekraft av storfe*
- 20 ml/1 spiseskjeer frisk persille, hakket*
- 25 g timian, uten stilker*
- 20-30 ml/1-2 spiseskjeer maismel salt og pepper*

Ha alle ingrediensene i kokekaret, og kok på Sterk (High) i ca. 5½ timer eller Svak (Low) i ca. 7-8 timer. Bland maisenneamet med litt kaldt vann slik at du får en jevn deig. Ta av lokket og tilsett blandingen til kokekaret og rør godt. Legg på lokket igjen og kok ytterligere til kraften bobler og har tyknet litt.

bolognaisesaus

Bruk bolognaise eller lasagne som basis for spagetti

- 15 ml/1 spiseskje olje*
- 1 stor hakket løk*
- 5 skiver stripet bacon, hakket*
- 650 g mager kjøttdeig*
- 1 x 454 g bokser hakkede tomater*
- 1 kløft hvitløk, skrellet og knust*
- 1 strøke spiseskjeer/15 ml tomatpuré, eller etter behag salt og pepper*
- 150 g sopp, finhakket*

Varm oljen i en stor stekepanne og stek løken til den er gyllenbrun, og ha den opp i kokebeholderen. Tilsett bacon til stekepannen og stek det og ha i kokebeholderen. Brun kjøttet, ha i hakkede tomater og varm opp til kokepunktet før det has i kokebeholderen. Ha resten av ingrediensene i kokebeholderen. Kok på Sterk (High) i ca. 3-4 timer eller på Svak (Low) i ca. 6-7 timer.

coq au vin

150 g bacon, skåret opp i terninger
1 stor hakket løk
1 kløfter hvitløk, knust
300 g småsjampinjong, tykt oppskåret
4 befrie kyllingbryst
275 ml rødvin
375 ml suppekraft av kylling
salt og pepper
maismel (valgfritt)

Stek oljen i en stor stekepanne. Legg på lokk og kok på Sterk (High) i ca. 4 timer eller Svak (Low) i ca. 6-7 timer. Hvis du vil kan du jevne kraften med litt maisennamel utblandet i kaldt vann. Ta av lokket og ha blandingen i kokekaret og rør godt (hvis nødvendig kan du ta ut kyllingbrystene og holde dem varme mens du tilsetter maisennamelen). Legg på lokket igjen og kok til kraften bobler og har tyknet litt.

kylling- og estragongryte

15 g smør
1 spiseskje/15 ml olje
4 kyllingbryst
1 finhakket løk
150 ml tørr hvitvin
150 ml suppekraft av kylling
4 kvister estragon
50 ml kremfløte
salt og pepper
1 ss/15 ml maisennamel (ca.)

Varm smøret og oljen i en stekepanne. Tilsett kyllingbitene og brun på begge sider. Ha kyllingen over i kokebeholderen. Stek løken og ha den i kokebeholderen sammen med vin, kraft, 2 dusker estragon og krydder. Sett lokket på og kok på Sterk (High) i ca 3 timer eller på Svak (Low) i ca. 6 timer. På slutten av koketiden tar du ut kyllingbitene. Hold dem varme. Bland maisennamelen med litt vann slik at du får en jevn masse og ha i kokebeholderen sammen med fløten. Rør godt. Ha kyllingbitene oppi

kokebeholderen igjen, sett på lokket og la det koke til blandingen tykner. Når det er ferdigkokt skal du finhakke resten av estragonen og ha i kokebeholderen. Serveres straks.

bakte epler

3 matepler (velg epler som passer i kokebeholderen)
75 g blandet, tørket frukt
2.5 ml/½ strøken teskje kanel
25 g mykt brunsukker
75 ml kaldt vann

Vask eplene og ta ut kjernen. Bruk en skarp kniv til å lage et snitt i skallet rundt midten av hvert eple. Ha eplene i kokebeholderen. Bland sammen frukten, kanelen og sukkeret. Fyll deretter blandingen inn i eplene. Tilsett vannet og sett på lokket. Kok på Svak (Low) varme i ca. 2-4 timer (avhengig av hvor store eplene er, og om noen er av bedre kvalitet enn andre).

rispudding

75 g rundkornet ris eller grøttris
50 g farin
1 l melk
25 g smør
malt muskat

Ha ris, sukker og melk i kokekaret og rør godt. Legg smørklatter oppå og strø med muskat. Legg på lokket og kok på Sterk (High) i ca. 2-3 timer eller på Svak (Low) i 4-5 timer. Etter 1 time skal du røre om innholdet i kokekaret, og deretter én gang til men kokingen pågår.

eplechutney

Del av ingefærrot, ca. 1 cm stor terning
7.5 ml kryddereddik
700 g tilberedte og oppskjærte matepler, f.eks. av typen Bramley
100 g sultanas
100 g finhakket løk
1 stor kløft hvitløk, skrellet og knust
150 g mørkebrunt sukker
150 ml malteddik

Bind ingefærroten og kryddereddiken sammen i en liten musselinbit. Ha alle ingrediensene i kokebeholderen og rør godt. Legg på lokket og kok på Svak (Low) varme i ca. 8 timer. Ta deretter av lokket, bland ingrediensene og still inn på Sterk (High) varme. La blandingen koke i 30-60 minutter til, eller til ønsket konsistens er oppnådd. La det hele avkjøles litt og før så blandingen over på rene glass. Sett på lokk med én gang.

Gir ca. 900 g.

Taita auki etusivun kuvitukset

ennen kuin ryhdyt käyttämään tätä Kenwood-kodinkonetta

- Lue nämä ohjeet huolella ja säilytä ne myöhempää tarvetta varten.
- Poista pakkauksen osat ja mahdolliset tarrat.

turvaohjeet

- Keitin tuottaa höyryä, joka voi aiheuttaa palovammoja.
- Ole varovainen erityisesti kantta avatessasi, jotta painekeitimestä tuleva höyry ei aiheuta palovammoja.
- Käsittele painekeitintä varovasti, koska kaikki osat kuumenevat käytön aikana. **Käytä uunikintaita.**
- Vältä nostamasta laitetta perusosasta sen ollessa toiminnassa ja sisällön ollessa yhä kuuma.
- Toimi erittäin varovaisesti siirtäessäsi keittokattilaa, jos sen sisältö on kuuma.
- Älä koskaan käytä vaurioitunutta painekeitintä. Tarkistuta ja korjaa viallinen keitin: katso kohdasta 'huolto ja asiakaspalvelu'.
- Älä käytä painekeitintä, jos siinä on halkeamia tai vaurioita.
- Älä koskaan laita keittimen perusosaa, johtoa tai pistoketta veteen - saatat saada sähköiskun. Pidä säätimet puhtaina ja kuivina.
- Älä koskaan anna johdon roikkua alas, josta lapsi saattaa päästä siihen käsiksi.
- Irrota aina painekeitimen pistoke pistorasiasta, kun et käytä sitä.
- Älä koskaan laita keitintä tai sen osia liedelle tai uuniin.
- Älä käytä keitintä lämmönherkillä pinnoilla.
- Älä käytä painekeitintä verhojen tai muiden palavien materiaalien lähellä tai alla.

- Käytä painekeitintä vain sen mukana toimitetun keittokattilan kanssa.
- Älä käytä laitetta ulkona.
- Peitä painekeitin vain sen mukana toimitetun kannen avulla.
- Tätä laitetta ei ole tarkoitettu sellaisten henkilöiden käyttöön, joilla ei ole täysin normaalia vastaavat fyysiset tai henkiset ominaisuudet (mukaan lukien lapset), jos heidän turvallisuudestaan vastaava henkilö ei ole opastanut heitä käyttämään laitetta tai jos heitä ei valvota.
- Lapsia tulee pitää silmällä sen varmistamiseksi, että he eivät leiki laitteella.
- Käytä laitetta ainoastaan sille tarkoitettuun kotitalouskäyttöön. Kenwood-yhtiö ei ole korvausvelvollinen, jos laitetta on käytetty väärin tai näitä ohjeita ei ole noudatettu.

elintarviketurvallisuus

- Keitä liha (myös siipikarja), kala ja merenelävät kunnolla kypsäksi. Älä koskaan keitä niitä pakastettuina.
- Älä lämmitä ruokaa uudelleen painekeitimessä.
- Varmista aina ennen syömistä, että ruoka on höyryävän kuuma.
- Älä koskaa keitä lihaa ja siipikarjaa puolikypsäksi pakastaaksesi sen myöhempää keittämistä varten.
- Noudata raaka-aineiden valmistajan antamia keitto-ohjeita, erityisesti kuivattujen papujen suhteen. Esimerkiksi kuivatut punaiset pavut tulee liottaa yön yli ja keittää sitten nopeasti puhdasta vettä sisältävässä kattilassa vähintään 10 minuutin ajan toksiinien tuhoamiseksi, jonka jälkeen ne huuhdellaan ja lisätään painekeittimeen.

ennen kattilan kytkemistä

- Varmista, että verkkovirta vastaa keittimen alla ilmoitettua virtaa.
- Tämä laite on Euroopan talousyhteisön direktiivin 89/336/ETY mukainen.

ennen kuin käytät ensimmäistä kertaa

- Pese osat Hoito ja puhdistus -kohdassa kuvatulla tavalla.

selite

- ① kansi
 - ② keittokattila
 - ③ perusosa
 - ④ kahva
 - ⑤ säätönuppi (CP706)
 - ⑥ merkkivalo (CP706)
- Malli CP707**
- ⑦ näyttö
 - ⑧ high-asetuksen painike (High)
 - ⑨ low-asetuksen painike (Low)
 - ⑩ lämpimänäpitämisspainike (Warm)
 - ⑪ ajastuksen pidentämisspainike
 - ⑫ virtapainike
 - ⑬ ajastuksen lyhentämisspainike

käsin säädettävän painekeitin (CP706) käyttäminen

- 1 Seuraa reseptiä ja laita aineet keittokattilaan.
- 2 Aseta keittokattila perusosaan.
Tärkeää: Palovammojen välttämiseksi varmista, että keittokattila on perusosassa kuvassa ① esitetyllä tavalla, jolloin keittokattilan kahvat on kohdistettu perusosan kahvoihin.
- 3 Aseta kansi paikoilleen ja työnnä painekeitin pistoke pistorasiaan.
- 4 Valitse haluamasi asetus eli high, low tai lämpimänä pitäminen (keep warm). Merkkivalo syttyy, ja kypsentyminen alkaa.
- 5 Keitä tarvittavan ajan.

- 6 Sammuta painekeitin keittämisen loputtua ja irrota pistoke pistorasiasta.

elektronisen painekeitin (CP707) käyttäminen

- 1 Noudata ruokaohjetta ja aseta ainekset keittokattilaan.
- 2 Aseta keittokattila perusosaan.
Tärkeää: Palovammojen välttämiseksi varmista, että keittokattila on perusosassa kuvassa ① esitetyllä tavalla, jolloin keittokattilan kahvat on kohdistettu perusosan kahvoihin.
- 3 Aseta kansi paikoilleen.
- 4 Työnnä painekeitin pistoke pistorasiaan.
- 5 Käynnistä painekeitin painamalla virtapainiketta. Näyttöön tulee 0:00 ja valo. Jos mitään painikkeita ei paineta 30 sekunnin kuluessa, valo sammuu näytöstä.
- 6 Valitse haluamasi asetus painamalla high-, low- tai lämpimänäpitämisspainiketta (keep warm). Näytön oikeaan laitaan tulee kuvake, ja valitun asetuksen viereen tulee merkki. Kypsentyminen alkaa.
- 7 Anna laitteen kypsentää haluttu aika.
- 8 Voit lopettaa kypsennyksen painamalla virtapainiketta.. 5 Voit katkaista painekeitimestä virran pitämällä virtapainiketta painettuna 5 sekunnin ajan. Irrota pistoke pistorasiasta käytön jälkeen.

ajastin (vain CP707)

- 1 Tee edellä kuvattujen vaiheiden 1–5 toimet.
 - 2 Valitse haluamasi kypsennysaika painamalla ajastimen lisäämispainiketta (+) tai vähentämispainiketta (-). Ajastin voidaan säätää 30 minuutin portain enintään 10 tuntiin saakka käytettäessä low- tai high-asetusta. Pidettäessä lämpimänä aika voi olla enintään 2 tuntia.
 - 3 Valitse haluamasi asetus painamalla high-, low- tai lämpimänäpitämispainiketta (keep warm). Näytön oikeaan laitaan tulee kuvake, ja valitun asetuksen viereen tulee merkki. Kypsentaminen alkaa. Desimaalit vilkkuvat sen merkiksi ja ajastimen aika vähenee. Ajastimen aika vähenee 1 minuutin portain. Huomaa: Jos kypsennysasetusta ei valita 15 sekunnin kuluessa, ajastimen arvoksi palaa 0:00, joten aika on valittava uudelleen.
 - 4 Kun kypsentaminen low- tai high-asetuksella päättyy, painekeitin pitää ruokaa lämpimänä oletusarvoisesti 2 tunnin ajan. Lämpimänäpitäminen päättyy 2 tunnin kuluttua, ja näyttöön palaa 0:00.
 - 5 Voit katkaista painekeitimestä virran pitämällä virtapainiketta painettuna 5 sekunnin ajan. Irrota pistoke pistorasiasta käytön jälkeen.
- **Tärkeää: Jos valitset ajastimesta pitkän kypsennysajan, varmista, että ruoka ei kuivu eikä pala.**
 - Jos käytät ajastinta ja haluat säätää kypsennysaikaa, paina ajastimen lisäys- tai vähennyspainiketta.

asetukset

Seuraavat ajat ovat vain ohjeellisia. Ne vaihtelevat kypsennettävän ruoan ja sen määrän mukaan.

low-asetusta käytettäessä ruoka kypsyy päivän mittaan hitaasti. Aikaa kuluu 6–8 tuntia. Tätä asetusta voidaan käyttää myös kypsennettäessä arkoja ruoka-aineita, kuten omenoita tai hedelmiä, joille alhainen lämpötila soveltuu paremmin.

high-asetus nopeuttaa kypsymistä low-asetukseen verrattuna. Aikaa tarvitaan noin 3–5 tuntia.

lämpimänä pitäminen (keep warm) pitää kypsän ruoan lämpimänä. On suositeltavaa pitää ruokaa lämpimänä korkeintaan 2 tuntia. Kannen nostaminen pois paikoiltaan vähentää keittokattilan lämpötilaa, joten älä tee sitä turhaan ja aseta kansi nopeasti takaisin paikoilleen.

käyttövinkkejä

- 1 Valmistele ainekset huoneenlämmössä ja käytä mieluummin huoneenlämpöisiä aineksia kuin suoraan jääkaapista otettuja. Ruoka-aineita, kuten lihaa ja kalaa, ei pidä kuitenkaan säilyttää jääkaapin ulkopuolella tarpeettoman pitkään. Ota ne ulos jääkaapista vain hetkeä aiemmin, jotta ne lämpenevät hieman ja peitä ne kalvolla tai muovilla. Älä valmista ruokaa etukäteen jääkaapissa säilytettäväksi.
- 2 Leikkaa juurekset, kuten porkkanat, sipulit ja lantut yms., melko pieniksi paloiksi, koska niiden kypsyminen kestää pidempään kuin lihan.
- 3 Leikkaa kaikki ainekset samankokoisiin paloihin, jolloin kypsyminen on tasaisempaa.

- 4 Lihan ruskistaminen ja vihannesten soseuttaminen erillisessä pannussa auttaa poistamaan lihasta rasvaa ja parantaa myös sekä lihan että vihannesten ulkonäköä ja makua. Tämä ei ole kuitenkaan välttämätöntä.
- 5 Älä nosta kantta tarpeettoman usein keittämisen aikana, koska tällöin lämpöä häviää ja nestettä haihtuu. Saattaa olla tarpeellista lisätä keittoaikaa 20-30 minuutilla riippuen siitä, kuinka usein ja kuinka pitkäksi aikaa kansi avataan.
- 6 Keittäminen tapahtuu aina keittokattilassa. Älä koskaan laita ruokaa suoraan perusosaan.
- 7 Älä koskaan upota kuumaa keittokattilaa kylmään veteen heti keittämisen jälkeen tai kaada kiehuvaa vettä tyhjään ja kylmään keittokattilaan. Kattila saattaa haljeta äkillisen lämpötilan muutoksen seurauksena.
- 8 Keittokattilan lasite saattaa säröillä useiden kuukausien käytön jälkeen: tämä on tyypillistä lasitetulle keramiikalle eikä se vaikuta painekeitin toimintaan.
- 9 Jos valmistat ruokaa tavallisten reseptien mukaan, on tarvittavan nesteen määrää ehkä vähennettävä. Painekeitintä käytettäessä neste ei haihdu niin nopeasti kuin normaalissa ruoanvalmistuksessa, mutta tiettyä nestemäärää tarvitaan lämmönsiirtymistä varten.
- 10 Älä koskaan täytä painekeitintä enemmän kuin $\frac{3}{4}$ koko tilavuudesta.
- 11 Maitotuotteet, kerma, hapankerma ja jogurtti tulee lisätä keittämisen loppuvaiheessa juoksettumisen estämiseksi.
- 12 Pakastevihannekset, kuten pavut, on sulatettava ja lisättävä viimeisen 1/2-1 tunnin aikana. Tämä varmistaa vihannesten värin ja rakenteen säilymisen ja ruoan pysymisen oikeassa lämpötilassa.
- 13 Parhaimmat tulokset saadaan, kun aineet ovat nesteen peitossa.
- 14 Poista lihasta liika rasva.
- 15 Kun keität kokonaisen paistin, varmista, että se mahtuu keittokattilaan kunnolla ja lisää aina nestettä. Kääntelee lihaa keittämisen aikana.
- 16 Kuumien lihalien käyttäminen nopeuttaa keittämistä.
- 17 Kastikkeet, yms., voidaan sakeuttaa sekoittamalla hieman maissijauhoa kylmään veteen tasaiseksi seokseksi. Lisää seos keittokattilaan keittämisen lopussa. Laita kansi kiinni ja keitä hieman lisää, kunnes kastike kuplii ja saostuu.
- 18 Huomaa, että hieman ruokaa voi roiskua kanteen.

hoito ja puhdistaminen

Sammuta keitin, irrota pistoke pistorasiasta ja anna keittimen jäähtyä ennen puhdistamista.

perusosa

Pyyhi painekeitin ulkopuoli kostealla kankaalla ja kuivaa. Älä koskaan upota perusosaa veteen.

kansi ja keittokattila

Pese lämpimällä saippuavedellä, huuhtelee ja kuivaa hyvin. Kulhoon kiinni tarttunut ruoka voidaan poistaa pehmeällä harjalla. Keittokattila ja kansi voidaan pestä astianpesukoneessa.

huolto ja asiakaspalvelu

- Jos virtajohto vaurioituu, se on turvallisuussyistä vaihdettava. Vaihtotyön saa tehdä KENWOOD tai KENWOODIN valtuuttama huoltoliike.
- Jos tarvitset apua
- laitteen käyttämisessä tai
- laitteen huolto- tai korjaustöissä, ota yhteys laitteen ostopaikkaan.

RESEPTIT

Ajat ovat vain ohjeellisia. Varmista ennen tarjoilemista, että ruoka on läpikotaisin kypsää ja höyryävän kuumaa. Määrien vaihtuminen voi myös vaikuttaa keittoaikoihin.

peruna, juusto ja ruohosipulikeitto

*4 keskipuurta perunaa kuorittuna ja viipaloituna
1 iso kuorittu valkosipulinkynsi
475 ml lihalientä
220 g Cheddar-juustoraastetta
50 g tuoretta, hienonnettua ruohosipulia
suolaa ja pippuria*

Laita perunat, valkosipuli ja liemi kypsennysastiaan. Anna kypsyä High-asennossa 2-3 tuntia. Poista seos ja soseuta se tehosekoittimessa. Kaada seos takaisin kypsennysastiaan sekä lisää juusto, ruohosipuli ja mausteet. Kypsennä High-asennossa vielä 30 minuuttia. Voit lisätä juustoa ja kermää ennen tarjoilemista.

paahtopaisti ja vihanneksia

*15 ml/1rkl öljyä
900 g naudanpaistia
1 kuorittu ja hienonnettu sipuli
3 kuorittua ja 1 cm viipaleiksi leikattua porkkanaa
500 ml kuumaa lihalientä*

Kuumenna öljy paistinpannussa. Ruskista liha joka puolelta. Lisää vihannekset ja ruskista ne. Kaada seos kypsennysastiaan sekä lisää kuuma liemi ja mausteet. Aseta kansi paikoilleen sekä kypsennä High-asennossa noin 4 tuntia ja Low-asennossa noin 7-8 tuntia.

olutpaisti

*600 g rasvatonta, 2,5 cm paloiksi leikattua patalihaa
2 perunaa leikattuna 8 osaan
1 suuri sipuli leikattuna 8 osaan
2-3 porkkanaa, leikattu 2 cm paloiksi
300 ml olutta
200 ml lihalientä
20 ml/1 rkl tuoretta ja hienonnettua persiljaa
25 g timjampia (ilman varsia)
20-30 ml/1-2 rkl maissijauhoa
suolaa ja pippuria*

Laita kaikki ainekset kypsennysastiaan. Kypsennä High-asennossa noin 5½ tuntia tai Low-asennossa noin 7-8 tuntia. Sekoita jauhot kylmän vesitilkkan kanssa tasaiseksi tahnaksi. Poista kansi. Lisää seos kypsennysastiaan ja sekoita perusteellisesti. Aseta kansi takaisin paikoilleen. Kypsennä, kunnes neste alkaa kuplia ja saostuu hieman.

bolognankastike

Käytä bolognanspagetin tai lasagnen kanssa

15ml/1rkl öljyä
1 hienonnettu suuri sipuli
5 pilkottua pekoninviipaletta
650 g rasvatonta jauhelihaa
1 (454 g:n) purkkia murskattua tomaattia
1 kuorittu ja murskattu valkosipulinkynsi
1 tasaista rkl/15 ml tomaattipyreetä tai maun mukaan suolaa ja pippuria
150 g hienoksi pilkottuja herkkusieniä

Kuumenna öljy suuressa paistinpannuissa. Paista sipuli kullanuskeaksi ja siirrä se keittokattilaan. Lisää paistinpannulle pekoni. Ruskista ja lisää keittokattilaan. Ruskista liha. Lisää tomaattimurska. Kiehauta seos ja siirrä se keittokattilaan. Laita muut ainekset keittokattilaan. Kypsennä high-asetuksella noin 3–4 tuntia tai low-asetuksella noin 6–7 tuntia.

coq au vin (viinikukko)

150 g pekonikuutioita
1 hienonnettu suuri sipuli
1 murskattua valkosipulinkynttä
300 g isoiksi viipaleiksi pilkottuja herkkusieniä (ilman jalkaa)
4 luutonta kananrintaa
275 ml punaviiniä
375 ml kuumaa kananlientä suolaa ja pippuria
maissijauhoa (haluttaessa)

Laita kaikki ainekset painekeittimeen. Aseta kansi paikoilleen. Kypsennä High-asennossa noin 4 tuntia tai Low-asennossa noin 6–7 tuntia. Voit halutessasi saostaa jauhoilla, jotka on sekoitettu kylmän vesitilkan kanssa tasaiseksi tahnaksi. Poista kansi. Lisää seos kypsennysastian ja sekoita perusteellisesti. Voit halutessasi poistaa

broilerinlihat ja pitää ne lämpimänä lisätessäsi jauhot. Aseta kansi takaisin paikoilleen. Kypsennä, kunnes neste alkaa kuplia ja saostuu hieman.

rakuunalla maustettu kanapata

15 g voita
1 rkl/15 ml öljyä
4 kananrintaa
1 hienonnettu sipuli
150 ml kuivaa valkoviiniä
150 ml kuumaa kananlientä
4 rakuunanoksaa
50 ml kuohukermaa suolaa ja pippuria
noin 15 ml maissijauhoa

Kuumenna voi ja öljy paistinpannuissa. Lisää broilerinpalat ja ruskista molemmilta puolilta. Siirrä broileri keittokattilaan. Ruskista sipuli. Laita se keittokattilaan yhdessä viinin, liemen, 2 rakuunanoksen ja mausteiden kanssa. Peitä kannella. Kypsennä high-asetuksella noin 3 tuntia tai low-asetuksella noin 6 tuntia. Kun kypsennysaika on päättymässä, poista broilerinpalat ja pidä lämpiminä. Sekoita maissijauhoihin hieman vettä, jotta saat seoksesta tasaisen. Lisää painekeittimeen yhdessä kerman kanssa. Sekoita hyvin. Palauta broilerinpalat keittokattilaan. Aseta kansi paikoilleen ja anna kypsyä hetken aikaa, jotta ruoka saostuu. Kun ruoka on valmista, lisää loppu rakuuna pilkottuna ja lisää keittokattilaan. Tarjoile heti.

haudutetut omenat

3 keitto-omenaa (valitse keittokattilaan sopivasti mahtuvan kokoisia)
75 g kuivattuja sekahedelmiä
2.5 ml/ ½ tl kanelia
25 g ruskeaa hienosokeria
75 ml kylmää vettä

Pese omenat ja poista siemenkodat. Tee sitten terävällä veitsellä viilto jokaisen omenan keskikohdan ympäri. Laita omenat keittokattilaan. Sekoita hedelmät, kaneli ja sokeri ja täytä jokaisen omenan keskus hedelmäseoksella. Lisää vesi ja laita kansi kiinni. Keitä Low-asetuksella noin 2-4 tuntia (keittoaika riippuu omenoiden koosta ja lajikkeesta).

riisivanukas

75 g lyhytjyväistä riisiä tai puuroriisiä
50 g hienosokeria
1 litra maitoa
25 g voita
jauhettua muskottia

Laita riisi, sokeri ja maito kypsennysastiaan. Sekoita huolellisesti. Lisää voi ja raastettu muskotti. Aseta kansi paikoilleen sekä kypsennä High-asennessa noin 2-3 tuntia tai Low-asennessa 4-5 tuntia. Sekoita kypsennysastian sisältö 1 tunnin kuluttua ja vielä toisen kerran kypsentämisen aikana.

omenachutney

Noin 1 cm pala inkiväärijuurta
7.5 ml pikkelsimaustetta
700 g viipaloituja keitto-omenoita, esim. Bramley
100 g sulttaanirusinoita
100 g hienoksi hienonnettua sipulia
1 iso kuorittu ja murskattu valkosipulinkynsi
150 g ruskeaa sokeria
150 ml viinietikkaa

Sido inkiväärijuuri ja pikkelsimauste pieneen musliinipalaan. Laita kaikki ainekset keittokattilaan ja sekoita hyvin. Laita kansi kiinni ja keitä Low-asetuksella noin 8 tuntia. Poista sitten kansi, sekoita sisältö ja käännä keitin High-asetukselle ja anna kastikkeen kiehua vielä 30-60 minuuttia tai kunnes haluttu koostumus on saavutettu. Anna hieman jäähtyä, laita kastike puhtaisiin purkkeihin ja sulje purkit heti. Annoksesta tulee noin 900 g.

Ön kapağı açınız ve açıklayıcı resimlere bakınız

Kenwood cihazınızı kullanmadan önce

- Bu talimatları dikkatle okuyun ve gelecekteki kullanımlar için saklayın.
- Tüm ambalajları ve etiketleri çıkartın güvenlik.

güvenlik

- Bu cihaz yakıcı olabilecek buhar üretir.
- Özellikle kapağı açarken yavaş pişiriciden çıkan buharın yakmamasına dikkat edin.
- Yavaş pişiriciyi kullanırken dikkatli olun, kullanım sırasında tüm parçalar ısınır. **Fırın eldiveni kullanın.**
- Kullanım sırasında ve malzemeler sıcakken ana üniteyi kaldırmayın.
- Pişirme tenceresinin içinde sıcak malzemeler varsa taşırken çok dikkatli olun.
- Hasarlı yavaş pişiriciyi asla kullanmayın. Kontrol ya da tamir ettirin: 'servis ve müşteri hizmetleri'.
- Pişirme tenceresi çatlamış veya hasar görmüşse kullanmayın.
- Ana üniteyi, kabloyu veya fişi asla suya sokmayın – elektrik çarparabilir. Kumandaları temiz ve kuru tutun.
- Kabloyu çocukların erişebileceği bir yerde asla bırakmayın.
- Kullanmadığınızda daima fişini çekin.
- Cihaz veya parçalarını asla pişirici veya fırın içine koymayın.
- Cihazı ısıya hassas yüzeyler üzerinde kullanmayın.
- Yavaş pişiriciyi perdelerin ya da diğer yanıcı malzemelerin yakınında veya altında kullanmayın.
- Yavaş pişiriciyi sadece sağlanan tencere ile kullanın.
- Dış mekanlarda kullanmayın.
- Pişirme tenceresini sağlanan kapaktan başka bir şey ile kapatmayın.

- Bu cihaz; sorumlu bir kişi tarafından gözetim altında olmayan fiziksel, duyuşal veya zihinsel engelli kişiler (çocuklar dahil), cihazın kullanılışı hakkında açıklama almamış kişiler ve bilgi veya deneyimi eksik olan kişiler tarafından kullanılmak üzere tasarlanmamıştır.
- Çocuklar cihazla oynamamaları gerektiği konusunda bilgilendirilmelidir.
- Bu cihazı sadece iç mekanlarda kullanım alanının olduğu yerlerde kullanın. Kenwood, cihaz uygunsuz kullanımlara maruz kaldığı ya da bu talimatlara uyulmadığı takdirde hiç bir sorumluluk kabul etmez.

gıda güvenliği

- Et (kümes hayvanları dahil) balık ve deniz ürünlerini iyice pişirin. Asla donmuş haldeyken pişirmeyin
- Yemekleri yavaş pişiricide ısıtmayın.
- Yemeden önce yemeklerin sıcak olduklarından emin olun.
- Hiç bir zaman et veya kümes hayvanları için kısmi pişirme yapıp sonraki kullanımlar için dondurmayın.
- Kuru bakliyatlar için üreticinin kullanma talimatlarına uyun. Örneğin toksinlerin giderilmesi ve yavaş pişiricide kullanılabilmesi için kuru barbunyalar gecedan ıslatılmalı ve tencerede en az 10 dakika yüksek ateşte pişirilmelidir.

fişe takmadan önce

- Elektrik kaynağınızın cihazınızın alt tarafında gösterilenle aynı olduğuna emin olun.
- Bu makina Avrupa Ekonomik Topluluğu Direktif 89/336/EEC ile uyumludur.

ilk kullanımdan önce

- Tüm parçaları yıkayın bkz. 'bakım ve temizlik'

bölümler

- ① kapak
- ② pişirme tenceresi
- ③ ana ünite
- ④ tutamaklar
- ⑤ kontrol düğmesi (CP706)
- ⑥ gösterge ışığı (CP706)
Model CP707
- ⑦ ekran göstergesi
- ⑧ yüksek ayar düğmesi
- ⑨ hafif ayar düğmesi
- ⑩ sıcak tutma düğmesi
- ⑪ zamanlayıcı azaltma düğmesi
- ⑫ açma/kapatma düğmesi
- ⑬ zamanlayıcı azaltma düğmesi

manuel yavaş pişiricinizin kullanımı (CP706)

- 1 Tarife uygun şekilde malzemeleri pişirme tenceresine koyun.
- 2 Pişirme tenceresini ana ünite üzerine yerleştirin. **Önemli – pişirme tenceresini çıkarırken yanmamak için çizim ①'de gösterildiği gibi pişirme tenceresinin üstündeki tutmakların altındaki tutmaklarla aynı hizada olarak altlığa yerleştirildiğinden emin olun.**
- 3 Kapağı kapatın ve yavaş pişiriciyi fişe takın.
- 4 İstenilen ayarı seçin örn. yüksek, hafif veya sıcak tutma. Gösterge ışığı yanacak ve pişirme başlayacaktır.
- 5 İstenilen süre boyunca pişmesini bekleyin.
- 6 Pişirmeden sonra, kapatın ve yavaş pişiricinin fişini çekin.

elektronik yavaş pişiricinizin kullanımı (CP707)

- 1 Tarife uygun şekilde malzemeleri pişirme tenceresine koyun.
- 2 Pişirme tenceresini ana ünite üzerine yerleştirin. **Önemli – pişirme tenceresini çıkarırken yanmamak için çizim ①'de gösterildiği gibi pişirme tenceresinin üstündeki tutmakların altındaki tutmaklarla aynı hizada olarak altlığa yerleştirildiğinden emin olun.**
- 3 Kapağı kapatın.
- 4 Yavaş pişiriciyi fişe takın.
- 5 Yavaş pişiriciyi çalıştırmak için açma/kapama düğmesine basın. 0:00 görüntülenecek ve ekran aydınlanacaktır. 30 saniye içinde hiçbir düğmeye basılmazsa ekran ışığı sönecektir.
- 6 Yüksek, hafif veya sıcak tutma düğmesine basarak istenilen pişirme modunu seçin. Ekranın sağında bir ikon ve seçilen pişirme modunun yanında kısa bir çizgi belirecektir. Yanıp sönen ondalıklarla belirtilerek pişirme başlayacaktır.
- 7 İstenilen süre boyunca pişmesini bekleyin.
- 8 Pişirmeyi durdurmak için açma/kapama düğmesine bir kere basın. Yavaş pişiriciyi kapatmak için 5 saniye boyunca açma/kapama düğmesini basılı tutun. Kullandıktan sonra yavaş pişiriciyi fişten çekin.

zamanlayıcının ayarlanması (sadece CP707)

- 1 Yukarıda 1'den 5'e kadar olan adımları uygulayın.

- 2 Zamanlayıcı arttırma (+) veya zamanlayıcı azaltma (-) düğmesine basarak istenilen pişirme süresini ayarlayın. Zamanlayıcı, hafif ve yüksek ayarlar için 30 dakikalık artışlarla en fazla 10 saate kadar ayarlanabilir fakat sıcak tutma ayarı için varsayılan ayar 2 saat olacaktır.
 - 3 Yüksek, hafif veya sıcak tutma düğmesine basarak istenilen pişirme modunu seçin. Ekranın sağında bir ikon ve seçilen pişirme modunun yanında kısa bir çizgi belirecektir. Yanıp sönen ondalıklarla belirtilerek pişirme ve zamanlayıcı geri sayımı başlayacaktır. Zamanlayıcı 1 dakikalık artışlarla geriye doğru sayacaktır.
Not: 15 saniye içinde bir pişirme modu seçilmemişse zamanlayıcının varsayılan ayarı 0:00 olacaktır ve tekrar ayarlanması gerekecektir.
 - 4 Hafif veya yüksek ayarlardaki pişirme süresinin sonunda, yavaş pişiricinin varsayılan ayarı sıcak tutma ayarı olacaktır ve 2 saatten geriye saymaya başlayacaktır. 2 saat sonra ısıtma duracak ve tekrar 0:00 görüntülenecektir.
 - 5 Yavaş pişiriciyi kapatmak için 5 saniye boyunca açma/kapama düğmesini basılı tutun. Kullandıktan sonra yavaş pişiriciyi fişten çekin.
- **Önemli: Uzatılmış zaman periyodları için zamanlayıcı modunda pişirirken yemeğin kurumamasına veya yanmamasına dikkat edin.**
 - Zamanlayıcı ayarı ile pişirme sırasında pişirme süresini ayarlamak isterseniz ya zamanlayıcı arttırma düğmesine ya da zamanlayıcı azaltma düğmesine basın.

ayarlama talimatları

Aşağıdaki süreler sadece bilgi amaçlıdır ve pişirilmekte olan yiyeceğin tipine ve miktarlara göre değişir.

hafif (low) ayar yemeği pişirmesi bütün bir gün sürer ve yaklaşık 6-8 saattir. Bu ayar, daha yavaş pişirilmesi gereken daha lezzetli yemekleri pişirirken işe yarayabilir, örneğin fırınlanmış elma veya yabani meyveler.

yüksek (high) ayar Hafif ayara göre pişirme sürecini hızlandıracaktır, süre yaklaşık 3 ile 5 saat arasındadır.

sıcak tutma ayarı (keep warm) – Bu ayarı, pişirildikten sonra yemeği sıcak tutmak için kullanın.

Yemeklerin pişirildikten sonra 2 saatten fazla sıcak tutulmalarını tavsiye ederiz, 2 saatten sonra cihaz kapatılmalıdır. Kapağı açmanın pişirme tenceresindeki sıcaklığı düşüreceğini ve bu nedenle yemeğin sıcak tutma ayarında bırakılma süresi azaltılması gerektiğini lütfen aklınızda tutun. Daima kapağı çabuk bir şekilde kapatın ve servis yapmadan önce yemeğin tamamen piştiğinden ve sıcak olduğundan emin olun. Kapağın açılması pişirme tenceresi içindeki sıcaklığı düşürecek, bu yüzden kapağı çok fazla açmayın ve açtığınızda hemen kapatın.

yavaş pişiricinin kullanımı ile ilgili tavsiyeler

- 1 Malzemeleri doğrudan buzdolabından çıkartarak kullanmak yerine oda sıcaklığında hazırlayın ve kullanın. Bununla birlikte et ve balık gibi malzemeler buzdolabından çıkartıldıktan sonra uzun süre dışarıda bekletilmemelidir, bu yüzden buzdolabından sadece buzunu çözmek için çıkartın ve üzerini ya streç film ya da plastik poşet ile örtün. Yemeği önceden hazırlamayın ve sonra buzdolabından çıkarmayın.
- 2 Havuç, soğan, turp gibi kök sebzeleri daha küçük parçalara bölün, bunların pişmesi ete göre daha uzun sürer.
- 3 Her malzemeyi eşit boyutta kesin, bu malzemelerin eşit pişmesine yardımcı olacaktır.
- 4 Ayrı bir tavada etlerin ön kızartmasını yapmak ve sebzeleri sotelemek etin fazla yağının atılmasını ve hem et hem de sebzelerin görünüm ve tadlarının iyileşmesini sağlar. Ancak bu gerekli değildir.
- 5 Pişirme sırasında kapağı gerekmedikçe açmayın, bu ısı kaybına ve sıvının buharlaşmasına yol açar. Kapağın ne sıklıkla ve ne kadar süre ile açıldığına bağlı olarak pişirme süresine 20 dakika ile yarım saat arasında ilave etmek gerekebilir.
- 6 Pişirme her zaman pişirme tenceresinde gerçekleşir. Yiyecekleri asla ana ünite üzerine doğrudan koymayın.
- 7 Kullanımdan hemen sonra sıcak pişirme tenceresini soğuk suya asla sokmayın veya soğuk pişirme tenceresine sıcak su koymayın. Ani sıcaklık değişimlerine maruz kalmak çatlamasına sebep olur.
- 8 Birkaç aylık kullanımdan sonra pişirme tenceresinin sır kaplamasında bazı çatlaklar oluşabilir: bu sır kaplamalı ürünler için normaldir ve yavaş pişiricinin verimini etkilemez.
- 9 Eğer geleneksel yemek tariflerini uyarlıyorsanız, kullanılan su miktarını azaltmanız gerekebilir. Isı transferi için belirli bir miktar gerekli olmasına rağmen, yavaş pişirmede sıvı geleneksel pişirmede olduğu kadar hızlı buharlaşmaz.
- 10 Yavaş pişiriciyi hiç bir zaman $\frac{3}{4}$ den fazla doldurmayın.
- 11 Krema, ekşi krema ve yoğurt gibi süt ürünleri kaymaklaşmanın önlenmesi için pişirmenin sonuna doğru eklenmelidir.
- 12 Bezelye gibi dondurulmuş sebzeler pişirmenin son 1/2-1 saatinde buzları çözüldükten sonra eklenmelidir. Bu sebzelerin renk ve dokularının korunmasını ve tencere içindeki sıcaklığın aynı kalmasını sağlar.
- 13 En iyi sonuç malzemeler sıvı içerisinde saklanırsa elde edilir.
- 14 Etlerdeki yağ fazlalıklarını temizleyin.
- 15 Bütün parçaları pişirirken tencereye sığdığından emin olun ve her zaman sıvı ekleyin. Pişirme süresince parçayı çevirin.
- 16 Sıcak depolama pişirme sürecini hızlandıracaktır.
- 17 Yemek sosunu koyulaştırmak için, bir parça mısır unu ile suyu karıştırın. Karışımı pişirme süresinin sonuna doğru pişirme tenceresine ekleyin. Kapağını kapatın, ilave pişirme süresinin sonuna kadar pişirin, sos koyulaşmalı ve fokurdamaya başlamalıdır.
- 18 Lütfen kapağın etrafına biraz sıçrama olabileceğini unutmayın.

bakım ve temizlik

Temizlemeden önce kapatın, fişini çekin ve soğumasını bekleyin.

ana ünite

Yavaş pişiricinin dış yüzeyini ıslak bir bezle silin ve kurulayın.

Ana üniteyi asla suya sokmayın.

kapak, pişirme tenceresi

Ilık sabunlu su ile yıkayın durulayın ve kurutun. Tencerenin içine yapışmış olan yemekler yumuşak bir fırça yardımı ile çıkartılabilir.

Pişirme tenceresi ve kapak bulaşık makinesinde yıkanabilir.

servis ve müşteri hizmetleri

- Kablo hasar görürse, güvenlik nedeniyle, KENWOOD ya da yetkili bir KENWOOD tamircisi tarafından değiştirilmelidir.

Aşağıdakilerle ilgili yardıma ihtiyacınız olursa:

- cihazınızın kullanımı veya
 - servis veya tamir
- Cihazınızı satın aldığınız yerle bağlantı kurun.

TARİFLER

Ayarlar sadece talimatlardır, servis yapmadan önce daima yemeklerin tamamen piştiğinden ve sıcak olduğundan emin olun. Miktarlardaki değişimler de pişirme süresini etkileyebilir.

patates, çedar, frenk soğanı çorbası

4 orta-büyük patates, soyulmuş ve dilimlenmiş

1 büyük baş sarımsak, soyulmuş

475ml et suyu

220g Çedar peynir, rendelenmiş

50g doğranmış taze frenk

soğanı, tuz ve biber

Patates, sarımsak ve et suyunu pişirme tenceresine koyun. Yüksek (High) ayarda 2-3 saat pişirin. Karışımı alın ve blenderda istediğiniz kıvama gelinceye kadar çekin. Karışımı tekrar pişirme tenceresine boşaltın, peyniri, frenk soğanlarını ve baharatları ilave edin. Yüksek (High) ayarda 30 dakika daha pişirin. Servis yaparken ilave peynir ve krema eklenebilir.

sebzeli dana rosto

15 ml sıvı yağ

900 g but

1 soyulmuş doğranmış soğan

3 havuç, soyulmuş 1 cm kalınlıkta doğranmış

500 ml sıcak et suyu

Yağı kızartma tavasında kızdırın, etlerin her iki yüzünü kızartın Sebzeleri ekleyin, hafifçe pembeleşene kadar kızartın. Karışımı pişirme tenceresine aktarın, et suyunu ve baharatları ekleyin. Kapağı kapatın ve Yüksek (High) ayarda yaklaşık 4 saat ve Hafif (Low) ayarda yaklaşık 7-8 saat pişirin.

biralı et

600 g dövülmüş biftek 2.5cm küp olarak kesilmiş
2 orta patates, her biri sekiz parçaya doğranmış
1 büyük soğan, sekiz parçaya doğranmış
2-3 havuç, 2 cm kalınlıkta doğranmış
300ml bira
200ml et suyu
20ml doğranmış taze maydanoz
25g taze kekik
20-30ml mısır unu
tuz ve biber

Karışımın tamamını pişirme tenceresine koyun Yüksek (High) ayarda 5½ saat veya Hafif (Low) ayarda 7-8 saat pişirin. Mısır ununu bir parça soğuk su ile karıştırın. Kapağı kaldırın ve karışımı pişirme tenceresine dökerek iyice karıştırın. Kapağını tekrar kapatın, ilave pişirme süresinin sonuna kadar pişirin, sos koyulaşmalı ve fokurdamaya başlamalıdır.

bolonez sos

Spagetti Bolonez veya Spagetti için sos olarak

15ml sıvı yağ
1 büyük soğan, kıyılmış
5 dilim bacon, doğranmış
650 g dana kıyma
1 x 454g kutu doğranmış domates
1 baş sarımsak, soyulmuş, dövülmüş
1 silme çorba kaşığı domates püresi veya salçası
tuz ve biber
150g mantar, ince kıyılmış

Büyük bir kızartma tavasında yağı iyice ısıtın, soğanları pembeleşinceye kadar çevirin ve sonra pişirme tenceresine aktarın. Baconları kızartma tavasına atıp çıkartın ve pişirme tenceresine ekleyin. Etleri kızartın, doğranmış domatesleri

ekletin ve karışımı kaynatın, sonra pişirme tenceresine aktarın. Kalan malzemeleri pişirme tenceresine koyun. Yüksek ayarda 3-4 saat Hafif ayarda 6-7 saat pişirin.

şaraplı tavuk

150g bacon, dilimlenmiş
1 büyük soğan, kıyılmış
1 baş sarımsak, dövülmüş
300 kültür mantarı, kalın doğranmış
4 kemiksiz tavuk göğsü
275 ml kırmızı şarap
375 ml sıcak tavuk suyu
tuz ve biber
mısır unu (isteğe bağlı)

Tüm malzemeleri yavaş pişiriciye koyun. Kapağını kapatın, Yüksek (High) ayarda 4 saat, Hafif (Low) ayarda 6-7 saat pişirin. İsterseniz mısır ununu bir parça su ile karıştırıp ilave ederek yemeğin suyunu koyulaştırabilirsiniz. Kapağı açın, karışımı tencereye dökün ve iyice karıştırın (eğer gerekliyse mısır ununu eklerken tavuk göğüslerini çıkartıp sıcak olarak muhafaza edin). Kapağını tekrar kapatın, ilave pişirme süresinin sonuna kadar pişirin, sos koyulaşmalı ve fokurdamaya başlamalıdır.

tarhunlu tavuk güveç

- 15g tereyağ
- 1 çorba kaşığı sıvı yağ
- 4 tavuk göğsü
- 1 soğan, ince kıyılmış
- 150ml sek beyaz şarap
- 150ml sıcak tavuk suyu
- 4 filiz tarhun
- 50ml duble krema
- tuz ve biber
- 1 yemek kaşığı/15ml mısır unu (yaklaşık)

Kızartma tavasında tereyağı ve yapı ısıtın. Tavukları ekleyin ve her iki tarafını kızartın. Tavukları pişirme tenceresine alın. Soğanları kızartın, şarap, tavuk suyu, 2 filiz tarhun ve baharatlarla birlikte pişirme tenceresine alın. Kapağını kapatın, Yüksek ayarda yaklaşık 3 saat, Hafif ayarda yaklaşık 6 saat pişirin. Pişirme süresinin sonunda tavukları çıkartın ve sıcak tutun. Mısır ununu su ile karıştırın, krema ile birlikte pişirme tenceresine boşaltın, iyice karıştırın. Tavukları pişirme tenceresine geri alın, kapağı kapatın ve karım koyulaşana kadar biraz daha pişirin. Piştikten sonra kalan tarhunları ince kıyın ve pişirme tenceresine ilave edin. Beklemeden servis edin.

fırınlanmış elma

- 3 Elma (pişirme tenceresinin içine sığabilecek boyda olanlardan seçin)
- 75g karışık kurutulmuş meyve
- 2.5 ml 1/2 silme yemek kaşığı tarçın
- 25g esmer şeker
- 75ml soğuk su

Elmaları yıkayın, elmaları bölmeden ortalarından çekirdeklerini çıkartın, sonra keskin bir bıçakla her elmanın ortasına bir yarık açın. Elmaları pişirme tenceresine koyun. Kuru meyve, tarçın ve şekeri karıştırın, elmaların ortasını bu karışım ile

doldurun. Suyu ekleyin ve kapağını kapatın. Hafif (Low) ayarda yaklaşık 2-4 saat pişirin (bu elmaların büyüklüğüne ve çeşidine göre değişecektir).

pirinç pudingi

- 75g pirinç
- 50g toz şeker
- 1 litre süt
- 25g tereyağ
- toz hindistan cevizi

Pirinç, şeker ve sütü pişirme tenceresine koyun ve iyice karıştırın. Tereyağ parçalarını ve hindistan cevizi ilave edin. Kapağını kapatın Yüksek (High) ayarda 2-3 saat veya Hafif (Low) ayarda 4-5 saat pişirin. 1 saatten sonra pişirme tenceresinin içindikileri karıştırın ve pişirme süresince bunu bir kez daha tekrarlayın.

elma sosu

- 1 cm kadar kök zencefil
- 7.5 ml pickling spice
- 700 g hazırlanmış dilimlenmiş elma örn Bramleys
- 100g sultanas
- 100g ince doğranmış soğan
- 1 büyük baş sarımsak, soyulmuş, dövülmüş
- 150g esmer şeker
- 150ml sirke

Kök zencefil ve pickling spice küçük bir parça muslin içine konur. Malzemelerin tümünü pişirme tenceresinin içine koyun ve iyice karıştırın. Kapağı kapatın, Hafif (Low) ayarda yaklaşık 8 saat pişirin. Bu sürenin sonunda, kapağı açın, malzemeleri iyice karıştırın, ayarı Yüksek (High) getirin ve istenilen kıvama gelene kadar 30-60 dakika daha kaynatın. Hafif soğutun, temiz şişeler doldurun ve ağzını hemen kapatın.

Yaklaşık 2lb

Nezapomeňte si prosím rozevřít titulní stránku s vyobrazením

před použitím tohoto zařízení Kenwood

- Přečtěte si pečlivě pokyny v této příručce a uschovejte ji pro budoucí použití.
- Odstraňte veškerý obalový materiál a nálepky.

bezpečnost

- Toto zařízení vytváří páru, která vás může opařit.
- Dbejte na to, abyste se neopařili párou vycházející z parního hrnce, zejména když nadzvedáváte poklici.
- S tímto pomalým hrncem manipulujte opatrně – všechny jeho součásti se během provozu zahřívají. **Používejte ochranné rukavice.**
- V průběhu provozu spotřebiče a pokud je obsah stále horký, nezvedejte základnu přístroje.
- Při manipulaci s horkým hrncem buďte mimořádně opatrní, pokud je jeho obsah horký.
- Pokud dojde k poškození malého hrnce, zásadně jej nepoužívejte. Nechte jej zkontrolovat nebo opravit: viz 'servis a údržba'.
- Varný hrnec nepoužívejte, pokud je prasklý nebo jakkoliv poškozený.
- Zásadně neponořujte elektrický hrnec, šňůru ani zástrčku do vody – může dojít k úrazu elektrickým proudem. Ovládací prvky hrnce udržujte suché a čisté.
- Nenechávejte napájecí šňůru viset v dosahu dětí.
- Mimo používání vždy pomalý hrnec odpojte ze zásuvky.
- Na hrnec zásadně neumísťujte jiné přístroje nebo součásti, ani neumísťujte hrnec do trouby.
- Toto zařízení nepoužívejte na pracovních deskách, které nejsou žáruvzdorné.

- Tento pomalý hrnec nepoužívejte v blízkosti nebo pod závěsy nebo jinými hořlavými materiály.
- Parní hrnec používejte pouze s varnou mísou.
- Přístroj nepoužívejte venku.
- Varnou mísu nepřikrývejte ničím jiným, kromě dodaným víkem.
- Toto příslušenství by neměly používat osoby (včetně dětí) trpící fyzickými, smyslovými či psychickými poruchami ani osoby bez náležitých znalostí a zkušeností. Pokud jej chtějí používat, musí být pod dozorem osoby odpovědné za jejich bezpečnost nebo je tato osoba musí poučit o bezpečném používání příslušenství.
- Dohlédněte, aby si děti s přístrojem nehrály.
- Toto zařízení je určeno pouze pro domácí použití. Společnost Kenwood vylučuje veškerou odpovědnost v případě, že zařízení bylo nesprávně používáno nebo pokud nebyly dodrženy tyto pokyny.

zásady bezpečnosti používání potravin

- Maso (včetně drůbeže), ryby a plody moře důkladně provařte. Zásadně je nepřipravujte zmrazené.
- V pomalém hrnci neohřívejte jídlo opakovaně.
- Než začnete jídlo konzumovat, vždy zkontrolujte, zda je dostatečně teplé a zda z něho vychází pára.
- Zásadně částečně nepředvařujte maso nebo drůbež, abyste je následně zmrazili pro pozdější přípravu.
- Postupujte podle pokynů pro přípravu výrobce přísady, zejména v případě sušených luštěnin. Například sušené červené fazole

je třeba namočit přes noc a potom před oloupáním a přidáním do pomalého hrnce rychle převařit v pitné vodě alespoň 10 minut, aby se zničily toxiny.

před připojením do elektrické zásuvky

- Napájení, které máte k dispozici, musí odpovídat napájení uvedenému na spodní straně zařízení.
- Toto zařízení splňuje směrnici 89/336/EEC Evropské unie.

před prvním použitím

- Umyjte všechny části -viz „údržba a čištění“.

legenda

- ① poklice
 - ② varná nádoba
 - ③ elektrický hrnec
 - ④ držadla
 - ⑤ ovládací regulátor (CP706)
 - ⑥ světelná kontrolka (CP706)
- #### **Model CP707**
- ⑦ displej
 - ⑧ tlačítko pro nastavení vysokého výkonu (High)
 - ⑨ tlačítko pro nastavení nízkého výkonu (Low)
 - ⑩ tlačítko pro udržování teploty (Warm)
 - ⑪ tlačítko pro prodloužení délky časového vypnutí
 - ⑫ hlavní vypínač
 - ⑬ tlačítko pro zkrácení délky časového vypnutí

obsluha vašeho ručního parního hrnce (CP706)

- 1 Postupujte podle receptu a vložte ingredience do nádoby.
- 2 Varnou mísu vložte do základny přístroje. **Důležité – abyste se nepopálili při vysunování varné mísy, ujistěte se, že jste ji vložili do základny přístroje podle obrázku ①, přičemž rukojeti varné mísy jsou zarovnané s**

rukojeťmi základny přístroje.

- 3 Umístěte víko do své polohy a zapojte parní hrnec do sítě.
- 4 Zvolte požadované nastavení, tj. vysoký, nízký výkon nebo udržování teploty. Světelná kontrolka se rozsvítí a zahájí se vaření.
- 5 Nechte vařit po požadovanou dobu.
- 6 Po uvaření pomalý hrnec vypněte a odpojte ze zásuvky.

obsluha vašeho parního hrnce (CP707)

- 1 Postupujte podle receptu a vložte ingredience do varné mísy.
- 2 Varnou mísu vložte do základny přístroje. **Důležité – abyste se nepopálili při vysunování varné mísy, ujistěte se, že jste ji vložili do základny přístroje podle obrázku ①, přičemž rukojeti varné mísy jsou zarovnané s rukojeťmi základny přístroje.**
- 3 Umístěte víko do své polohy.
- 4 Parní hrnec zapojte do sítě.
- 5 Stiskněte hlavní vypínač a parní hrnec se zapne. Na displeji se zobrazí 0:00 a obrazovka se rozsvítí. Osvětlení obrazovky se vypne, pokud po dobu 30 sekund nestisknete žádné tlačítko.
- 6 Zvolte požadovaný režim vaření, tj. vysoký, nízký výkon nebo udržování teploty. Vpravo na obrazovce se objeví se ikona a vedle zvoleného režimu vaření se zobrazí pomlčka. Zahájí se vaření, které signalizují blikající desetinné číslice.
- 7 Nechejte přístroj vařit po požadovanou dobu.
- 8 Jedenkrát stiskněte hlavní vypínač a vaření se pozastaví. Přidržte hlavní vypínač po dobu 5 sekund a parní hrnec se vypne. Po ukončení vaření parní hrnec odpojte ze sítě.

nastavení časového vypínače (pouze CP707)

- 1 Postupujte podle kroků 1-5 uvedených výše.
 - 2 Pomocí tlačítka (+) pro prodloužení nebo tlačítka (-) pro zkrácení nastavte požadovaný čas vaření. Časový vypínač je možno nastavit v 30 minutových intervalech na maximální délku 10 hodin pro nastavení nízkého nebo vysokého výkonu, ale v případě udržování teploty je možno nastavit maximálně 2 hodiny.
 - 3 Zvolte požadovaný režim vaření, tj. vysoký, nízký výkon nebo udržování teploty. Vpravo na obrazovce se objeví ikona a vedle zvoleného režimu vaření se zobrazí pomlčka. Zahájí se vaření a odpočítávání časového vypínače, které signalizují blikající desetinné číslice. Časový vypínač odpočítává čas po jednominutových intervalech. Pozn.: pokud do 15 sekund nezvolíte režim vaření, časový vypínač se přepne zpět na 0:00 a budete jej muset resetovat.
 - 4 Na konci doby vaření při nastavení na nízký nebo vysoký výkon se parní hrnec přepne na udržování teploty a zahájí se odpočítávání trvající 2 hodiny. Po 2 hodinách se ohřev zastaví a na displeji se zobrazí 0:00.
 - 5 Přidržte hlavní vypínač po dobu 5 sekund a parní hrnec se vypne. Po ukončení vaření parní hrnec odpojte ze sítě.
- **Důležité: Pokud vaříte v režimu s časovým vypínačem po delší dobu, zkontrolujte, že se potraviny nevysuší nebo nespálí.**
 - Pokud si v průběhu vaření s nastaveným časovým vypínačem přejete upravit dobu vaření, jednoduše stiskněte buď tlačítko

pro prodloužení nebo pro zkrácení doby vaření.

pokyny pro nastavení

Uvedené časové délky mají pouze informativní charakter a budou se různit podle druhu a množství vařených potravin.

Při **nastavení na nízký výkon (low)** se potraviny vaří v průběhu dne po dobu asi 6-8 hodin. Toto nastavení rovněž využijete při vaření křehkých potravin, kterým prospívá pomalejší vaření, např. vařená jablka nebo mírně považené ovoce.

Nastavení na vysoký výkon (high) urychlí proces vaření ve srovnání s nízkým výkonem, přičemž doba vaření se pohybuje mezi 3-5 hodinami.

Režim udržování teploty (keep warm) – toto nastavení zvolte tehdy, pokud chcete zachovat teplotu uvařených potravin. Doporučujeme, abyste potraviny po uvaření nenechávali teplé po dobu delší než 2 hodiny a přístroj vypnuli. Po nadzvednutí poklice se sníží teplota uvnitř varné mísy, proto potraviny nechávejte bez poklice jen po krátkou dobu a poklici zvedejte rychle.

rady pro používání pomalého hrnce

- 1 Připravené přísady by měly mít pokojovou teplotu, není vhodné je přidávat přímo z ledničky. Nicméně přísady jako maso nebo ryby nenechávejte venku z ledničky příliš dlouho; vyjměte je z ledničky pouze na takovou dobu, aby se vstřebal chlad, a potom přísady zakryjte přilnavou fólií nebo uložte do plastového sáčku. Potraviny nepřipravujte dopředu a nenechávejte je stát mimo lednici.

- 2 Zeleninu jako například mrkev, cibuli, tuřín atd. krájejte na dostatečně malé kousky, protože se připravují déle než maso.
- 3 Všechny typy přísad krájejte na rovnoměrné kousky, aby se připravovaly rovnoměrně.
- 4 Opečení masa a orestováním zeleniny předem na samostatné pánvi odstraní část tuku z masa a také se zlepší vzhled a chuť masa i zeleniny. Není to ovšem nezbytné.
- 5 Během vaření zvedejte poklici co nejméně často, protože přitom uniká teplo a odpařují se tekutiny. Podle toho, jak často a na jak dlouho jste poklici zvedli, bude třeba prodloužit dobu vaření o 20 až 30 minut.
- 6 K vaření vždy slouží varná nádoba. Zásadně nevkládejte potraviny přímo do elektrického hrnce.
- 7 Zásadně nepoňujte horkou varnou nádobu do studené vody ihned po použití ani nelijte vařící vodu do prázdné studené varné nádoby. Náhlá změna teploty může způsobit prasknutí nádoby.
- 8 Po několika měsících používání může glazura na varné nádobě popraskat: to je u glazovaného nádobí běžné a nemá to žádný vliv na fungování pomalého hrnce.
- 9 Při vaření v pomalém hrnci podle běžných receptů bude pravděpodobně třeba používat méně tekutin. Při pomalém vaření se tekutiny neodpařují tak rychle jako při běžném vaření; nicméně musí být v hrnci určité množství tekutin, které pomáhají zajišťovat přenos tepla.
- 10 Zásadně nenaplňujte pomalý hrnec na více než ¾ celkového objemu.
- 11 Mléčné výrobky jako například smetanu, kyselou smetanu nebo jogurt, je třeba přidat až ke konci přípravy, aby se zabránilo sražení.
- 12 Mraženou zeleninu, například hrášek, nechte rozmrazit a přidejte ji na poslední půlhodinu až hodinu přípravy. Zelenina si tak zachová barvu a strukturu. Zároveň nedojde k přílišnému ochlazení směsi v hrnci.
- 13 Nejlepších výsledků dosáhnete, když jsou přísady ponořeny v tekutině.
- 14 Z masa odřízněte nadbytečný tuk.
- 15 Při vaření celých kloubů je třeba, aby se pohodlně vešly do nádoby, a vždy přidejte tekutiny. Během vaření obraťte.
- 16 Při používání teplých přísad se vaření urychlí.
- 17 Pro zahuštění omáčky atd. smíchejte trochu kukuřičné mouky s malým množstvím studené vody a promíchejte. Připravenou směs přidejte do varné nádoby ke konci přípravy. Zakryjte hrnec poklicí a dále vařte, dokud omáčka nezahoustne a nezačne bublat.
- 18 Upozorňujeme, že tekutiny mohou okolo okraje poklice prskat.

Údržba a čištění

Před čištěním hrnec vždy vypněte, odpojte z elektrické zásuvky a nechte zařízení vychladnout.

elektrický hrnec

Vnější části pomalého hrnce otřete vlhkým hadříkem a osušte. Elektrický hrnec zásadně nepoňujte do vody.

Poklice varné nádoby

Umyjte v teplé mýdlové vodě, opláchněte a důkladně vysušte. Zbytky potravin zachycené na vnitřní straně nádoby lze odstranit pomocí měkkého kartáčku. Varnou nádobu a poklici je možné mýt v myčce na nádobí.

servis a údržba

- Je-li napájecí kabel poškozen, musí jej z bezpečnostních důvodů vyměnit KENWOOD nebo autorizovaný servisní technik KENWOOD.

Pokud potřebujete pomoc:

- s obsluhou a údržbou příslušenství nebo
- servisem či opravou, obraťte se na prodejnu, v níž jste přístroj zakoupili.

RECEPTY

Časové intervaly jsou pouze orientační. Před podáváním vždy zkontrolujte, zda-li jsou potraviny důkladně provařeny a mají vařící teplotu. Různé množství potravin rovněž ovlivní délku vaření.

bramboračka s čedarem a pažitkou

*4 středně velké brambory,
oloupané a nakrájené
1 velký stroužek česneku,
oloupaný
475 ml/16 fl oz vývaru
220 g/7 oz nastrohaného čedaru
50 g/2 oz čerstvé nakrájené
pažitky
sůl a pepř*

Do varné nádoby přidejte brambory, česnek a vývar. Vařte dvě hodiny při vysokém (High) teplotě. Směs vyjměte a rozmixujte na požadovanou hustotu. Vraťte směs do varné nádoby a přidejte sýr, zbytek vývaru, pažitku, sůl a pepř. Nechte povařit na vysokém (High) stupni dalších 30 minut. Před podáváním lze přidat sýr a smetanu.

hovězí pečeně se zeleninou

*15 ml/1 lžíce oleje
900 g/2 lb libové hovězí pečeně
1 oloupaná a nakrájená cibule
3 oloupané mrkve nakrájené na
kousky 1 cm/1/2 palce
500 ml/3/4 pt horkého hovězího
vývaru*

Na pánvi rozehejte olej a nechte maso na všech stranách osmahnout. Přidejte zeleninu a smažte do mírně zlatavé barvy.

Přesuňte směs do varné nádoby, přidejte horký vývar a koření. Zakryjte poklicí a vařte na vysokém (High) stupni 4 hodin nebo na nízkém (Low) stupni 7-8 hodin.

hovězí v pivu

*600 g/1lb 5 oz libového masa na
pánev nakrájeného na kostky 1
palec/2,5 cm
2 středně velké brambory
nakrájené na osminy
1 velká cibule nakrájená na osminy
2-3 mrkve nakrájené na kousky 2
cm/3/4 palce
300 ml/17 1/2 fl oz piva
200 ml/10 1/2 fl oz hovězího vývaru
20 ml/2 lžíce čerstvé nakrájené
petržele
25 g/1 oz svazek mateřídoušky
bez stonků
20-30 ml/1-2 lžíce kukuřičné
mouky
sůl a pepř*

Vložte všechny přísady do varné nádoby a vařte na vysokém (High) stupni 5½ hodin nebo na nízkém (Low) stupni 7-8 hodin. Smíchejte trochu kukuřičné mouky s malým množstvím studené vody a promíchejte. Sejměte poklicí, přidejte směs do varné nádoby a dobře promíchejte. Zakryjte hrncem poklicí a dále vařte, dokud šťáva lehce nezahoustne a nezačne bublat.

boloňská omáčka

Použijte jako základ pro špagety po boloňsku nebo pro lasagne

*15ml/1 lžíce oleje
1 velká cibule, nasekaná
5 plátků nakrájené prorostlé
slaniny
650 g/1 lb 7 oz libového mletého
hovězího masa
1 x 454 g rajčatového protlaku
v plechovkách
1 stroužek oloupaného a
rozdrceného česneku
1 rovné lžíce /15 ml rajčatového
protlaku (nebo podle chuti)
sůl a pepř
150 g/5 oz nadrobno nakrájených
hub*

Rozpalte olej na velké pánvi, usmažte cibuli do zlatově hnědé barvy a potom ji přendejte do varné mísy. Na pánev přidejte slaninu, vysmažte ji a přidejte do varné mísy. Maso usmažte dohněda, přidejte nakrájená rajčata, přiveďte směs k varu a potom ji přendejte do varné mísy. Zbývající ingredience vložte do varné mísy. Potraviny vařte na vysoký výkon po dobu asi 3-4 hodin nebo na nízký výkon po dobu přibližně 6-7 hodin.

coq au vin (kuře na víně)

*150 g/5 oz slaniny nakrájené na
kostičky
1 velká cibule, nasekaná
1 stroužky rozdrceného česneku
300 g/10 oz žampionů nakrájených
na tenké plátky
4 kuřecích prsíček bez kostí
275 ml/10 fl oz červeného vína
375 ml/13 fl oz horkého kuřecího
vývaru
sůl a pepř
kukuřičná mouka (volitelně)*

Vložte všechny přísady do pomalého hrnce. Zakryjte poklicí a vařte na vysokém (High) stupni 4 hodin nebo na nízkém (Low) stupni 6-7 hodin. Podle potřeby zahustěte šťávu směsí malého množství kukuřičné mouky a vody. Sejměte poklici, přidejte směs do varné nádoby a dobře promíchejte (podle potřeby vyjměte kuřecí prsíčka a během přidávání kukuřičné mouky je přihřívejte). Zakryjte hrnec poklicí a dále vařte, dokud šťáva lehce nezahoustne a nezačne bublat.

dušené kuře s estragonem

15 g/1/2 oz másla
1 lžíce/15 ml oleje
4 kuřecích prsíček
1 jemně nasekaná cibule
150 ml/5 fl oz suchého bílého vína
150 ml/5 fl oz horkého kuřecího vývaru
4 snítok estragonu
50 ml/2 fl oz zahuštěné smetany
sůl a pepř
1 čl/15 ml kukuřičné moučky
(přibližně)

Rozpalte máslo a olej na pánvi. Přidejte kousky kuřete a opečte je dohněda na obou stranách. Kuře přendejte do varné mísy. Osmažte cibuli a vložte ji s vínem, bujónem, 2 snítky estragonu a kořením do varné mísy. Mísu zakryjte víkem a potraviny vařte na vysoký výkon po dobu přibližně 3 hodin nebo na nízký výkon po dobu přibližně 6 hodin. Na konci doby vaření vyjměte kousky kuřete a nastavte režim udržování teploty. Smíchejte kukuřičnou mouku s trochou vody, aby se vytvořila jemná kaše a spolu se smetanou ji přidejte do parního hrnce, směs důkladně promíchejte. Kuřecí kousky vraťte do varné mísy, odkryjte poklicí a potraviny nechejte dále vařit, dokud směs nezhoustne. Nakonec nakrájejte zbývající estragon a vložte jej do varné mísy. Podávejte ihned.

pečená jablka

3 jablek pro vaření (zvolte taková, která se vejdou do varné nádoby)
75 g/2 1/2 oz mixovaného sušeného ovoce
2.5 ml/1/2 rovná lžička skořice
25 g/1 oz práškového hnědého cukru
75 ml/2 1/2 fl oz studené vody

Jablka omyjte a zbavte jádřinců a potom ostrým nožem rozřízněte slupku po středním obvodu každého jablka. Vložte jablka do varné nádoby. Smíchejte ovoce, skořici a cukr a touto směsí naplňte střed každého jablka. Přidejte vodu a zakryjte poklicí. Vařte na nízkém (Low) stupni přibližně 2-4 hodiny (délka závisí na velikosti a odrůdě jablek).

rýžový náryp

75 g/3 oz krátké nebo nárypové rýže
50 g/2 oz krystalového cukru
1 litr/13/4 pt mléka
25 g/1oz másla
muškátový oříšek

Do varné nádoby přidejte rýži, cukr a mléko a dobře promíchejte. Ozdobte máslovými hoblinami a muškátovým oříškem. Hrncem přikryjte poklicí a vařte při vysokém (High) teplotě přibližně 2-3 hodiny, popřípadě při nízkém (Low) teplotě přibližně 4-5 hodin. Po jedné hodině obsah hrnce promíchejte. Poté jej během vaření promíchejte ještě jednou.

jablečné čatní

*Kořen zázvoru (obdélník asi
1cm/1/2 palec)
7.5 ml/1 1/2 nakládání okurek
700 g/1 1/2 lb připravených
nakrájených jablek pro vaření,
například Bramleys
100 g/3 1/2 oz rozinek
100 g/3 1/2 oz jemně nakrájené
cibule
1 velký stroužek oloupaného a
rozdrceného česneku
150 g / 5 oz tmavě hnědého cukru
150 ml/5 fl oz sladového octa*

Zavažte kořen zázvoru a koření pro nakládání okurek do malého kousku mušelínu.

Vložte všechny přísady do varné nádoby a dobře zamíchejte.

Zakryjte poklicí a vařte na nízkém (Low) stupni přibližně 8 hodin. Na konci této dobu sejměte poklici, zamíchejte přísady, přepněte na vysokém (High) stupeň a nechte směs vařit dalších 30-60 minut nebo dokud nebude dosažena správná hustota.

Nechte mírně zchladit, nalijte do čistých sklenic a ihned uzavřete.

Postačuje na výrobu 2 lb.

A használati utasítás olvasása közben hajtsa ki az első oldalt, hogy az illusztrációk is láthatók legyenek.

a Kenwood-készülék használata előtt

- Alaposan olvassa át ezeket az utasításokat és őrizze meg későbbi felhasználásra!
- Távolítsa el minden csomagolóanyagot és címkét!

biztonság

- Ez a készülék gőzt fejleszt, amely égési sérülést okozhat.
- Ügyeljen rá, hogy ne égesse meg magát a lassú főzőből távozó gőzzel, különösen, amikor leveszi a fedelet.
- A párolóedényt óvatosan kezelje, mert a használat során minden alkatrésze felforrósodik!

Használjon hőszigetelt konyhai kesztyűt!

- Ne emelje meg a készüléket használat közben, vagy ha az étel még forró.
- Legyen rendkívül óvatos a főzőedény mozgatása során, ha az forró anyagokat tartalmaz.
- Soha ne használjon sérült párolóedényt! Ellenőriztesse vagy javíttassa: lásd 'szerviz és vevőszolgálat'.
- Ne használja a főzőedényt, ha az megrepedt, vagy bármely más módon megsérült.
- Soha ne tegye a főzőkészülék házát, a vezetéket vagy a villásdugót vízbe, mert áramütést szenvedhet! A kezelőszervek mindig legyenek tiszták és szárazak!
- A hálózati vezetéket ne hagyja belőgni úgy, hogy gyermek elérje!
- Mindig húzza ki a hálózati villásdugót, ha a párolókészüléket nem használja!
- A készüléket vagy alkatrészeit soha ne tegye főzőlapra vagy sütőbe!
- Ne használja a készüléket hőre érzékeny felületen!

- A párolóedényt ne használja függöny vagy más gyúlékony anyag közelében vagy alatt
- A lassú főzőt csak a mellékelt főzőedénnyel használja.
- Ne használja a szabadban.
- A főzőedényt csak a mellékelt fedővel fedje le.
- A készüléket nem üzemeltethetik olyan személyek (a gyermekeket is beleértve), akik mozgásukban, érzékszerveik tekintetében vagy mentális téren korlátozottak, illetve amennyiben nem rendelkeznek kellő hozzáértéssel vagy tapasztalattal, kivéve ha egy, a biztonságukért felelősséget vállaló személy a készülék használatát felügyeli, vagy arra vonatkozóan utasításokkal látta el őket.
- A gyermekekre figyelni kell, nehogy a készülékkel játszzanak.
- A készüléket csak a rendeltetésének megfelelő háztartási célra használja! A Kenwood nem vállal felelősséget, ha a készüléket nem rendeltetésszerűen használták, illetve ha ezeket az utasításokat nem tartják be.

elelmiszer-biztonság

- A húst (szárnyasokat is), halat és tengeri ételeket alaposan főzze át! Soha ne főzzön fagyott állapotban levő ételt!
- A párolóedényben ne melegítsen ételt!
- Fogyasztás előtt az étel legyen mindig átforrvalva!
- Félig megfőzött húst és szárnyast soha ne fagyasszon le későbbi főzéshez!

- Különösen szárazabb esetén tartsa be a nyersanyag-gyártó főzési utasítását! Például az étkezési szárazbabot egy éjszakára be kell áztatni, majd főzőedényben tiszta vízben gyorsfőzéssel 10 percig forralni kell a toxinon eltávolítása érdekében, majd a párolóedénybe helyezés előtt le kell szűrni.

a hálózatra csatlakoztatás előtt

- Ellenőrizze, hogy a hálózat megfelel-e a készülék alján levő adattáblán szereplő adatoknak!
- Ez a készülék megfelel az Európai Gazdasági Közösség 89/336/EEC számú Irányelvének.

az első használat előtt

- Mossa el az alkatrészeket, lásd "tisztítás és karbantartás"

jelmagyarázat

- ① fedő
 - ② főzőedény
 - ③ készülékház
 - ④ fogantyúk
 - ⑤ szabályozó gomb (CP706)
 - ⑥ jelzőfény (CP706)
- CP707 modell**
- ⑦ kijelző
 - ⑧ magas fokozat gomb (High)
 - ⑨ alacsony fokozat gomb (Low)
 - ⑩ melegen tartó fokozat gomb (Warm)
 - ⑪ időzítés növelő gomb
 - ⑫ BE/KI gomb
 - ⑬ időzítés növelő gomb

a kézi vezérlésű lassú főző használata (CP706)

- 1 A recept szerint helyezze bele a hozzávalókat főzőedénybe!
- 2 Helyezze a főzőedényt az alapegységbe. **Fontos: a főzőedényt az illusztrációnak ① megfelelően helyezze az alapegységbe, úgy, hogy a főzőedény fülei a készüléken lévő fülekkel egy vonalban legyenek, így elkerülheti az égési sérüléseket a főzőedény eltávolítása során.**
- 3 Tegye a helyére a fedelet, és csatlakoztassa a lassú főzőt az áramforráshoz.
- 4 Válassza ki a kívánt fokozatot, azaz magas, lassú, vagy melegen tartás. A jelzőfény bekapcsol, és megkezdődik a főzés.
- 5 Főzze az ételt a kívánt ideig!
- 6 Főzés után kapcsolja ki a készüléket, majd húzza ki a villásdugóját!

az elektronikus lassú főző használata (CP707)

- 1 A recept szerint helyezze a hozzávalókat a főzőedénybe.
- 2 Helyezze a főzőedényt az alapegységbe. **Fontos: a főzőedényt az illusztrációnak ① megfelelően helyezze az alapegységbe, úgy, hogy a főzőedény fülei a készüléken lévő fülekkel egy vonalban legyenek, így elkerülheti az égési sérüléseket a főzőedény eltávolítása során .**
- 3 Tegye a helyére a fedelet.
- 4 Csatlakoztassa a lassú főzőt az áramforráshoz.
- 5 Nyomja meg a BE/KI gombot a lassú főző bekapcsolásához. A kijelzőn a 0:00 látható, és a képernyő világít. A kijelző világitása kikapcsol, ha 30

- másodpercig egy gombot se nyom meg.
- Válassza ki a kívánt főzési módot, a magas, alacsony vagy melegen tartás fokozat gombját megnyomva. A képernyő jobb oldalán egy ikon jelenik meg, majd egy vonal jelenik meg a kiválasztott főzési mód mellett. Megkezdődik a főzés, amit a villogó számjegyek jeleznek.
 - Várja meg a kívánt főzési idő elteltét.
 - Nyomja meg a BE/KI gombot egyszer a főzés leállításához. Tartsa lenyomva 5 másodpercig a BE/KI gombot a lassú főző kikapcsolásához. Használat után húzza ki a lassú főzőt.

az időzítő beállítása (csak CP707)

- Kövesse a fenti 1 – 5 lépéseket.
- Állítsa be a kívánt főzési időt az időzítés növelő (+) vagy az időzítés csökkentő (-) gombok segítségével. Az időzítés 30 perces lépésekben maximum 10 óráig állítható az alacsony és magas fokozaton, és maximum 2 óráig a melegen tartó fokozat esetén.
- Válassza ki a kívánt főzési módot, megnyomva a magas, alacsony, vagy melegen tartás fokozat gombját. A képernyő jobb oldalán egy ikon jelenik meg, majd egy vonal jelenik meg a kiválasztott főzési mód mellett. Megkezdődik a főzés, amit a villogó számjegyek jeleznek.
Megjegyzés: ha nem választja ki a főzési módot 15 másodpercen belül, az időzítő automatikusan 0:00-ra áll, és újra be kell állítani.
- A főzési idő elteltével az alacsony vagy magas fokozatok esetén, a lassú főző automatikusan a melegen tartó fokozatra vált, és 2 óráig melegít. 2 óra elteltével a melegítés leáll, és a kijelző

visszaáll 0:00-ra.

- Tartsa lenyomva a BE/KI gombot 5 másodpercig a lassú főző kikapcsolásához. Használat után húzza ki a lassú főzőt.
 - Fontos: Ha az időzítő segítségével hosszabb ideig főz, ügyeljen rá, hogy az étel ne száradjon ki és ne égjen meg.**
 - Ha főzés közben, az időzítő használata esetén módosítani kívánja a főzési időt, egyszerűen nyomja meg az időzítés növelő vagy időzítés csökkentő gombot.

beállítási útmutató

Az alábbi főzési idők csak útmutatóul szolgálnak, és a főzött étel minőségétől és mennyiségétől függően változóak.

Az alacsony fokozat (low)
fokozatosan főzi meg az ételt a nap során, és körülbelül 6-8 órát vesz igénybe. Ez a beállítás felhasználható továbbá olyan ételek főzéséhez, amelyek számára előnyös az alacsonyabb főzési hőmérséklet, például sült alma, poszírozott gyümölcs.

A magas fokozat (high)
meggyorsítja a főzési időt az alacsony fokozathoz képest, így a főzési idő 3-5 óra között változik.

Melegen tartás fokozat (keep warm) – Ezt a beállítást az étel melegen tartásához használja, amikor az már megfőtt. Azt javasoljuk, hogy ne tartsa az ételt melegen a főzést követő 2 óránál tovább, és kapcsolja ki a készüléket a használat után. A fedél eltávolítása csökkenti a hőmérsékletet a főzőedény belsejében, ezért minél kevesebbszer emelje fel, és tegye vissza gyorsan a fedelet.

tanácsok a párolóedény használatához

- 1 A hozzávalókat szobahőmérsékleten készítse elő és használja fel, ne pedig fagyasztott állapotban! A húst és halat, valamint a hasonló nyersanyagokat csak a szükséges ideig kell a hűtőszekrényből kivéve tartani, amíg kiolvad, és addig is fóliában kell tartani. Az előre elkészített ételt ne tárolja a hűtőszekrényen kívül.
- 2 A gyökérzöldségeket – sárgarépa, vörshagyma, petrezselyem – elég apró darabokra kell vágni, mert a húsnál hosszabb ideig főnek.
- 3 Az egyes hozzávalókat egyenletes méretű darabokra kell vágni, mert ezzel biztosítható az egyenletes átpuhulás.
- 4 A hús előzetes gyors átsütése és a zöldségfélék gyors párolása egy külön serpenyőben eltávolítja a hús zsírtartalmának egy részét és javítja a hús és zöldségfélék küllemét és ízét. Ez azonban nem szigorú követelmény.
- 5 Főzés alatt feleslegesen ne emelgesse a fedőt, mert ez hővesztést és folyadék-párolgást eredményez. Szükség lehet a főzési idő 20-30 perccel történő meghosszabbítására, attól függően, hogy a fedőt hányszor és mennyi időre emelik fel.
- 6 A főzés mindig a főzőedényben történik. Soha ne helyezze az ételt közvetlenül a készülék házába!
- 7 A forró főzőedényt közvetlenül használat után ne tegye hideg vízbe, és ne öntsön forró vizet az üres hideg főzőedénybe! A főzőedény hirtelen hőmérséklet-változás hatására elrepedhet.
8. Több hónapos használat után a főzőedény máza megrepedezhet: ez előfordul a mázas edényeknél és nem befolyásolja a párolókészülék hatásfokát.
- 9 Ha a hagyományos konyha receptjeit használja, akkor csökkenteni kell a felhasznált folyadék mennyiségét. A lassú főzés során a folyadék nem párolog el olyan gyorsan, mint a hagyományos főzésnél, bár a hőátadáshoz itt is szükség van bizonyos mennyiségű folyadékra.
- 10 A párolókészüléket soha ne töltsse kétharmadánál nagyobb mértékben!
- 11 A tejtermékeket – tejszín, tejföl, joghurt – a főzés vége felé kell hozzáadni az ételhez, hogy megakadályozzuk az esetleges összemenést.
- 12 A fagyasztott zöldségeket, például a zöldborsót, ki kell olvasztani és csak a főzés utolsó 1/2-1 órájában kell az ételhez adni. Ily módon lehet biztosítani, hogy a zöldségek megőrizzék színüket és állagukat az edényben.
- 13 A legjobb eredmény akkor érhető el, ha a hozzávalókat ellepi a folyadék.
- 14 A húsból süsse ki a felesleges zsírt!
- 15 Nagyobb húsdarabok főzésekor ügyeljen rá, hogy könnyedén beleférjenek az edénybe és ellepje a folyadék. A főzés során fordítsa meg a húst!
- 16 Forró húsleves használata felgyorsítja a főzési folyamatot.
- 17 A besűritéshez keverjen el egy is kukoricalisztet kevés hideg vízben és keverje simára! Tegye bele a főzőedénybe a főzési idő vége felé! Fedje le és főzze addig, amíg a leve nem kezd formni és besűrűsödni!
- 18 Kérjük, vegye figyelembe, hogy a fedél pereménél némi fröcskölés jelentkezhet.

Ápolás és tisztítás

Tisztítás előtt kapcsolja ki a készüléket, húzza ki a hálózati csatlakozót és várja meg, amíg a készülék teljesen lehűl!

készülékház

Törölje át a készülék külsejét nedves, majd száraz ruhával! A készülékházat ne tegye vízbe!

fedél, főzőedény

Mossa el mosószeres vízben, majd öblítse el és szárítsa meg! Az edény belsejéhez tapadt étel puha kefével lehet eltávolítani.

A főzőedény és fedele mosogatógépben elmosható.

szerviz és vevőszolgálat

- Ha a hálózati vezeték sérült, azt biztonsági okokból ki kell cseréltetni a KENWOOD vagy egy, a KENWOOD által jóváhagyott szerviz szakemberével.

Ha segítségre van szüksége:

- a készülék használatával vagy
- a karbantartással és a javítással kapcsolatban, lépjen kapcsolatba azzal az elárusítóhellyel, ahol a készüléket vásárolta.

RECEPTEK

A főzési idők csak útmutatóul szolgálnak, tálalás előtt mindig ellenőrizze, hogy az étel teljesen megfőtt, és kellően forró-e. A mennyiség változása szintén befolyásolhatja a főzési időket.

leves burgonyából, cheddar sajtból és metélőhagymából

4 közepesen nagy, hámozott és felszeletelt paradicsom

1 nagy gerezd fokhagyma, hámozva

475 ml húsleves

220 g Cheddar sajt reszelve

50 g friss metélőhagyma, aprítva só és bors

Tegye a krumplit, a fokhagymát és a húsleveset a főzőedénybe. Főzze Magas (High) hőfokon 2-3 órát. Vegye ki a keveréket, és turmixolja össze turmixgépben a kívánt állagúra. Öntse vissza a keveréket a főzőedénybe, adjon hozzá sajtot, snidlinget és fűszerezze. Hagyja Magas (High) hőfokon további 30 percig. Tálaláskor további sajttal és tejszínnel gazdagítható.

serpenyős marhasült zöldséggel

15 ml (1 evőkanál) olaj
900 g színhús
1 hagyma, hámozva és aprítva
3 sárgarépa, hámozva és 1 cm vastag szeletekre felvágva
500 ml forró marhahúsleves

Forrósítsa fel az olajat egy serpenyőben, majd süssse át a marhahús minden oldalát. Adja hozzá a zöldségeket, és kissé pirítsa meg.

Tegye bele a keveréket a főzőedénybe, öntse hozzá a forró húslevest és fűszerezze.

Tegye rá a fedelet és főzze Magas (High) hőfokon körülbelül 4 órát, majd Alacsony (Low) hőfokon további 7-8 órát.

marhasült sörben

600 g sovány marhaszelet
2,5 cm-es kockákra vágva
2 közepes, nyolc részre vágott krumpli
1 nagy fej nyolc részre vágott hagyma
2-3 sárgarépa 2 cm vastag szeletekre felvágva
300 ml sör
200 ml marhahúsleves
20 ml friss petrezselyem, aprítva
25 g kakukkfű, szár nélkül
20-30 ml (1-2 evőkanál) kukoricaliszt
só és bors

Tegye az összes hozzávalót a főzőedénybe, és főzze Magas (High) hőfokon körülbelül 5½ órát vagy Alacsony (Low) hőfokon körülbelül 7-8 órát. Keverje el a kukoricalisztet egy kevés hideg vízzel, hogy sima massa legyen. Vegye le a fedelet, tegye bele a keveréket a főzőedénybe, és keverje el jól. Fedje le újra, és főzze tovább, amíg a bugyborékolni nem kezd, és kissé be nem sűrűsödik.

bolognai mártás

Spagetti-alapként használható Bolognai spagetti vagy lasagne

15 ml (1 evőkanál) olaj
1 nagy fej apróra vágott vöröshagyma
5 vékony szelet húsos bacon, aprítva
650 g sovány darált hús
1 x 454 grammos konzerv aprított paradicsom
1 gerezd fokhagyma, hámozva és áttörve
1 csapott evőkanál (15 ml) paradicsompüré ízlés szerint só és bors
150 g gomba, apróra vágva

Melegítse meg az olajat egy nagy serpenyőben, és süssse aranybarnára a hagymát, majd helyezze a főzőedénybe. Tegye a bacont a serpenyőbe, süssse ki, majd helyezze a főzőedénybe. Süssse a húst, amíg megbarnul, adja hozzá a felvágott paradicsomot, majd forralja fel a keveréket, és helyezze a főzőedénybe. Adja hozzá a többi hozzávalót a főzőedénybe. Főzze magas fokozaton körülbelül 3-4 óráig, vagy alacsony fokozaton kb. 6-7 óráig.

részeg kakas

150 g bacon, felkockázva
1 közepes/nagy hagyma, aprítva
1 gerezd fokhagyma, áttörve
300 g zsenge gomba, vastagra szeletelve
4 kicsontozott csirkemell
275 ml vörösbor
375 ml forró csirkehúsleves
só és bors
kukoricaliszt (opcionális)

Helyezzen minden hozzávalót a főzőedénybe. Fedje le, és főzze Magas (High) hőfokon 4 órát vagy Alacsony (Low) hőfokon körülbelül 6-7 órát. Tetszés szerint besűrítetheti a levét egy kis vízzel sűrű masszává kikevert kukoricaliszttel. Vegye le a fedelet, és adja a keveréket a főzőedénybe, és keverje el alaposan (szükség esetén vegye ki a csirkemellet, és tartsa melegen, amíg a kukoricalisztet hozzáadja). Fedje le újra és főzze tovább, amíg a lé bugyborékolni nem kezd, és kissé be nem sűrűsödik.

tárkonyos serpenyős csirke

15 g vaj
15ml (1 evőkanál) olaj
4 csirkemell
1 fej finomra vágott hagyma
150 ml száraz fehérbor
150 ml forró csirkehúsleves
4 szárú tárkony
50 ml tejszín
só és bors
1 evőkanál/15ml kukoricaliszt (kb.)

Melegítse meg a vajat és az olajat egy serpenyőben. Adja hozzá a csirkeadarabokat, és pirítsa meg mindkét oldalát. Tegye át a csirkét a főzőedénybe. Süsse meg a hagymát, és tegye a főzőedénybe a borral, a húsvesszel, 2 ágacska tárkonnyal és a többi fűszerrel együtt. Fedje le a fedéllel, és főzze magas fokozaton körülbelül 3 óráig, vagy alacsony

fokozaton kb. 6 óráig. A főzési idő elteltével vegye ki a csirkeadarabokat, és tartsa melegen. Keverje el a kukoricalisztet némi vízzel, sima pépet képezve, és adja hozzá a főzőedény tartalmához a tejszínnel együtt, majd keverje meg alaposan. Tegye vissza a csirkeadarabokat a főzőedénybe, helyezze vissza a fedelet, és főzze tovább, amíg a keverék be nem sűrűsödik. Amikor elkészült, aprítsa fel a maradék tárkonyt, és keverje a főzőedénybe. Tálalja azonnal.

sült alma

3 alma (olyan méretű, hogy a főzőedénybe férjen)
75 g szárított gyümölcs
2.5 ml (1/2 csapott evőkanál) fahéj
25 g barnacukor
75 ml hidegvíz

Mossa meg az almákat, vegye ki a magházat és éles késsel hasítsa fel a héját a közepén körben! Tegye az almákat a főzőedénybe! Keverje össze a gyümölcsöt, fahéjat és cukrot, majd ezzel töltsse ki az almák közepét! Öntsön az edénybe vizet, majd fedje le! Alacsony (Low) állásban főzze mintegy 2-4 órát (ez függ az alma méretétől és fajtájától)!

rizsfelfújt

75 g hántolt vagy puding-rizs
50 g nádcukor
1 liter tej
25 g vaj
őrölt szerecsendió

Tegye bele a rizst, a cukrot és a tejet a főzőedénybe, és keverje el jól. Tegyen a tetejére vajdarabkákat és reszeljen rá szerecsendiót. Helyezze rá vissza a fedelet, és főzze Magas (High) hőfokon körülbelül 2-3 órát vagy Alacsony (Low) hőfokon 4-5 órát. 1 óra múlva keverje meg az főzőedény tartalmát, majd a főzési idő alatt keverje meg még egyszer.

fűszeres almaszósz (indiai chutney)

Gyömbérgyökér darab, 2,5 cm-es

7.5 ml pácfűszer

700 g szeletelt főzőalma (pl.

Bramleys)

100 g mazsola

100g hagyma, apróra vágva

1 gerezd fokhagyma, hámozva és

áttörve

250 g barnacukor

250 ml malátaecet

Kösse be a gyömbérgyökeret és a

pácfűszert egy darab gézbe!

Tegye a hozzávalókat a főzőedénybe

és keverje el alaposan!

Tegye rá a fedőt, főzze Alacsony

(Low) állásban kb. 8 órán keresztül! A

főzési idő végén vegye le a fedőt,

keverje meg, majd kapcsolja Magas

(High) fokozatra és forralja fel 30-60

percig vagy addig, amíg a kívánt

sűrűséget el nem éri! Kicsit hűtse le

és tegye tiszta tálba, fedje le!

Kb. 900 g étel lesz belőle.

Prosimy rozłożyć ilustracje na pierwszej stronie

przed użyciem urządzenia Kenwood

- Przeczytaj uważnie poniższe instrukcje i zachowaj je na wypadek potrzeby skorzystania z nich przyszłości.
- Wyjmij wszystkie materiały pakunkowe oraz wszelkie etykiety.

bezpieczeństwo

- Niniejsze urządzenie wytwarza parę, która może spowodować oparzenie.
- Uważaj, żeby nie poparzyć się parą wydobywającą się z wolnowaru, zwłaszcza zdejmując pokrywkę.
- Należy zachować ostrożność podczas operowania naczyniem do powolnego gotowania, ponieważ wszystkie jego części ogrzewają się podczas używania.
Należy używać rękawic kuchennych.
- Nie podnoś podstawki w trakcie eksploatacji i jeżeli zawartość rondla jest nadal gorąca.
- Zachowaj szczególną ostrożność przy przenoszeniu rondla, jeśli jego zawartość jest gorąca.
- Nie wolno używać uszkodzonego naczynia do powolnego gotowania. Kontrola i reperacja: patrz: „obsługa i ochrona konsumenta“.
- Nie korzystaj z rondla, jeśli jest pęknięty lub uszkodzony w dowolny inny sposób.
- Nie wolno umieszczać jednostki bazowej, kabla ani wtyczki w wodzie – grozi to porażeniem elektrycznym. Elementy sterowania należy utrzymywać suche i w czystości.
- Nie zostawiać kabla tak, aby zwisał i mógł być chwycony przez dziecko.
- Jeżeli urządzenie nie jest używane, należy wyłączyć je z gniazda zasilania.

- Nie umieszczać urządzenia ani jego elementów na kuchence ani w piekarniku.
- Nie używać urządzenia na powierzchniach wrażliwych na działanie temperatury.
- Nie używać urządzenia do powolnego gotowania w pobliżu ani pod zasłonami lub innymi palnymi materiałami.
- Korzystaj z wolnowaru tylko pod warunkiem, że masz odpowiedni rondel.
- Nie używaj na zewnątrz.
- Nie przykrywaj rondla niczym innym, jak tylko dostarczoną w zestawie pokrywką.
- Niniejsze urządzenie nie powinno być używane przez osoby (w tym dzieci) o ograniczonych zdolnościach fizycznych, umysłowych lub o zaburzonych zmysłach, jak również przez osoby niedoświadczone i nie znające się na urządzeniu, dopóki nie zostaną one przeszkolone na temat zasad eksploatacji tego urządzenia lub nie będą nadzorowane przez osobę odpowiadającą za ich bezpieczeństwo.
- Należy sprawować kontrolę nad dziećmi, żeby nie bawiły się urządzeniem.
- Urządzenie jest przeznaczone wyłącznie do użytku domowego. Firma Kenwood nie ponosi żadnej odpowiedzialności w przypadku niewłaściwego korzystania z urządzenia lub nieprzestrzegania niniejszych instrukcji.

bezpieczeństwo żywności

- Mięso (łącznie z drobiem), ryby i owoce morza należy gotować dokładnie. Nie gotować tych produktów ze stanu zmrożonego.

- Nie odgrzewać żywności w urządzeniu do powolnego gotowania.
- Przed jedzeniem upewnić się, że żywność została zagotowana.
- Nigdy nie podgotowywać (częściowo gotować) mięsa i drobiu z celem późniejszego umieszczenia w lodówce i ugotowania w innym czasie.
- Należy przestrzegać rad producenta składników dotyczących gotowania, szczególnie w przypadku suszonych fasoli. Na przykład suszoną czerwoną fasolkę należy namoczyć przez noc, a następnie gotować na kuchence na mocnym ogniu przez co najmniej 10 minut na patelni lub w świeżej wodzie do gotowania, aby usunąć substancje toksyczne przed odcedzeniem i dodaniem do urządzenia do powolnego gotowania.

przed podłączeniem

- Upewnij się, że napięcie prądu jest zgodne z wartością wymienioną na dnie urządzenia.
- Urządzenie spełnia wymagania normy 89/336/EEC Europejskiej Wspólnoty Gospodarczej.

przed użyciem po raz pierwszy

- Umyj części, patrz 'konserwacja i czyszczenie'

legenda

- ① pokrywka
- ② misa do gotowania
- ③ jednostka bazowa
- ④ uchwyty
- ⑤ gałka sterowania (CP706)
- ⑥ kontrolka (CP706)
- Model CP707**
- ⑦ wyświetlacz
- ⑧ przycisk wysokiej temperatury (High)
- ⑨ przycisk niskiej temperatury (Low)
- ⑩ przycisk funkcji podgrzewania (Warm)
- ⑪ przycisk zwiększenia czasu
- ⑫ przycisk ON/OFF

- ⑬ przycisk zmniejszenia czasu

eksploatacja ręcznego wolnowaru (CP706)

- 1 Postępuj zgodnie z przepisem i umieść składniki w misie do gotowania.
- 2 Umieść rondel w podstawce.
Uwaga – żeby uniknąć poparzeń podczas zdejmowania rondla, upewnij się, że umieściłeś go w podstawce tak, jak pokazane jest na rysunku ①, żeby uchwyty na rondlu znajdowały się nad uchwytami na podstawce.
- 3 Przykryj pokrywką i podłącz wolnowar do prądu.
- 4 Wybierz odpowiednie ustawienie (wysoka lub niska temperatura, podgrzewanie). Zapali się kontrolka i rozpocznie się gotowanie .
- 5 Gotuj przez odpowiednią ilość czasu.
- 6 Po ugotowaniu wyłącz garnek i odłącz go z gniazda zasilania.

eksploatacja elektronicznego wolnowaru (CP707)

- 1 Postępuj zgodnie z przepisem i umieść składniki w rondlu.
- 2 Umieść rondel w podstawce.
Uwaga – żeby uniknąć poparzeń podczas zdejmowania rondla, upewnij się, że umieściłeś go w podstawce tak, jak pokazane jest na rysunku ①, żeby uchwyty na rondlu znajdowały się nad uchwytami na podstawce.
- 3 Przykryj pokrywką.
- 4 Podłącz wolnowar do prądu.
- 5 Wciśnij przycisk ON/OFF, aby uruchomić wolnowar. Wyświetlacz się zaświeci i pokaże się na nim 0:00. Wyświetlacz przestanie się

- świecić, jeśli przez 30 sekund nie zostanie wciśnięty żaden przycisk.
- 6 Wybierz odpowiednie ustawienie, wciskając przycisk wysokiej lub niskiej temperatury albo wybierając tryb podgrzewania. Po prawej stronie wyświetlacza ukaże się ikonka, a naprzeciwko wybranego przycisku pojawi się kreska. Rozpocznie się gotowanie sygnalizowane miganiem wyświetlacza.
 - 7 Gotuj przez wymagany czas.
 - 8 Aby przerwać gotowanie, wciśnij przycisk ON/OFF jeden raz. Aby wyłączyć wolnowar, przytrzymaj przycisk ON/OFF przez 5 sekund. Po użyciu odłącz wolnowar od prądu.

ustawienie timera (CP707 only)

- 1 Wykonaj kroki 1 – 5 podane powyżej.
- 2 Ustaw odpowiedni czas gotowania wciskając przycisk zwiększenia czasu (+) lub przycisk zmniejszenia czasu (-). Timer można ustawiać z 30minutowymi odstępami na maksymalnie 10 godzin dla wysokich lub niskich temperatur, natomiast w przypadku trybu podgrzewania ustawienie timera ogranicza się do 2 godzin.
- 3 Wybierz odpowiednie ustawienie, wciskając przycisk wysokiej lub niskiej temperatury albo wybierając tryb podgrzewania. Po prawej stronie wyświetlacza ukaże się ikonka, a naprzeciwko wybranego przycisku pojawi się kreska. Rozpocznie się gotowanie i odliczanie czasu, sygnalizowane miganiem wyświetlacza. Timer będzie odliczał czas z 1minutową przerwą.
Uwaga: jeśli nie wybierzesz ustawienia w ciągu 15 sekund, timer powróci do ustawienia 0:00 i będzie wymagał zresetowania.

- 4 Pod koniec gotowania przy wysokiej lub niskiej temperaturze wolnowar przełączy się na tryb podgrzewania i zacznie odliczać 2 godziny. Po 2 godzinach urządzenie przestanie się podgrzewać, a na wyświetlaczu wyświetli się 0:00.
- 5 Aby wyłączyć wolnowar, przytrzymaj przycisk ON/OFF przez 5 sekund. Po użyciu odłącz wolnowar od prądu.
 - **Uwaga: przez dłuższy czas gotując z włączoną funkcją timera upewnij się, że jedzenie w rondlu nie wysycha ani się nie pali.**
 - jeśli w trakcie gotowania chcesz zmienić czas gotowania, po prostu wciśnij przycisk zwiększania lub zmniejszania czasu.

wskazówki dotyczące czasu gotowania

Podany poniżej czas gotowania należy traktować jako wskazówkę. Może ulegać zmianom w zależności od typu produktów i ich ilości.

przy niskiej temperaturze (low) jedzenie przyrządza się stopniowo w ciągu dnia. Przy tym ustawieniu gotowanie trwa zazwyczaj około 6-8 godzin. To ustawienie należy wybierać przyrządzając delikatne produkty, których właściwości smakowe zyskają na powolnym gotowaniu, na przykład pieczone jabłka albo owoce z wrzątku.

przy wysokiej temperaturze (high) proces gotowania będzie szybszy w porównaniu do ustawienia przy niskiej temperaturze. Gotowanie będzie trwało 3-5 godziny.

tryb podgrzewania (keep warm)– korzystaj z tego ustawienia wtedy, kiedy jedzenie jest już gotowe, a ty chcesz, żeby pozostało ciepłe. Nie podgrzewaj jedzenia przez więcej niż dwie godziny po przyrządzeniu. Po użyciu wyłącz urządzenie. Zdejmowanie pokrywki zmniejsza temperaturę wewnątrz rondla, więc ogranicz czas bez pokrywki do minimum i szybko nakładaj pokrywkę z powrotem.

radę dotyczącę używania garnka do powolnego gotowania

- 1 Przygotowuj i używaj składników o temperaturze pokojowej, nie wyjętych prosto z lodówki. Jednakże składników takich jak mięso i ryby nie należy pozostawiać poza lodówką na czas dłuższy niż to konieczne. Należy wyjąć je z lodówki tak, aby usunąć z nich szron i przechowywać przykryte czystą folią lub w woreczku plastikowym. Nie przyrządzaj jedzenia z góry. Przechowuj w lodówce.
- 2 Warzywa korzenne, takie jak marchew, cebula i brukiew należy kroić na dość małe kawałki, ponieważ ich gotowanie trwa dłużej niż gotowanie mięsa.
- 3 Wszystkie składniki należy kroić na równe części, aby zapewnić równomierne gotowanie.
- 4 Podsmażenie mięsa i warzyw na oddzielnej patelni przed gotowaniem pomoże usunąć część tłuszczu z mięsa, a także wzmocni aromat mięsa i warzyw. Nie jest to jednak konieczne.
- 5 Podczas gotowania nie należy podnosić pokrywki bardziej niż to konieczne, ponieważ spowoduje to obniżenie temperatury i wyparowanie cieczy. W zależności od tego, jak często i na jak długo pokrywka jest podnoszona, może okazać się konieczne przedłużenie gotowania o dodatkowych 20-30 minut.
- 6 Żywność należy gotować wyłącznie w misie do gotowania. Nie wolno umieszczać żywności bezpośrednio w jednostce bazowej.
- 7 Nie wolno zanurzać gorącej misy do gotowania w zimnej wodzie natychmiast po użyciu ani wlewać wrzącej wody do zimnej misy do gotowania. Nagła zmiana temperatury może spowodować jej pęknięcie.
- 8 Po kilku miesiącach stosowania glazura na misie może popękać. W przypadku naczyń kamionkowych z glazurą jest to normalne zjawisko i nie ma wpływu na działanie garnka do powolnego gotowania.
- 9 W przypadku dostosowywania tradycyjnych przepisów gotowania może okazać się konieczne zredukowanie ilości używanej wody. W przypadku wolnego gotowania ciecz nie wyparowuje tak szybko jak w przypadku gotowania tradycyjnego, chociaż pewna ilość cieczy jest konieczna do przewodzenia ciepła.
- 10 Nie należy napełniać garnka do powolnego gotowania ponad $\frac{2}{3}$ jego objętości.
- 11 Produkty mleczne, łącznie ze śmietaną, kwaśną śmietaną i jogurtem, należy dodawać pod koniec gotowania, aby zapobiec ścinaniu się białka.

- 12 Zamrożone warzywa, takie jak groszek, należy najpierw rozmrozić i dodawać do rondla podczas ostatniej godziny gotowania. Zapewni to zachowanie koloru i konsystencji warzyw, oraz utrzyma odpowiednią temperaturę wewnątrz garnka-wkładki.
- 13 Najlepsze wyniki można uzyskać, kiedy składniki są zanurzone w cieczy.
- 14 Należy usunąć zbędny tłuszcz z mięsa.
- 15 Podczas gotowania całych kawałków należy zapewnić, aby były dobrze umieszczone w misie do gotowania i należy zawsze dodawać ciecz. Podczas procesu gotowania należy je częściowo obrócić.
- 16 Używanie gorących produktów przyspieszy proces gotowania.
- 17 Aby zagęścić sos itp., należy zamieszać mąkę kukurydzianą z odrobiną zimnej wody tak, aby powstała jednolita pasta. Dodać mieszaninę do misy do gotowania pod koniec procesu gotowania. Sos należy przykryć i gotować jeszcze przez chwilę, aż zacznie bulgotać i zgęstnieje.
- 18 Uwaga: dookoła pokrywki mogą pojawić się plamki po rozpryskach.

utrzymanie i czyszczenie

Przed myciem urządzenie należy wyłączyć, odłączyć od zasilania i schłodzić.

jednostka bazowa

Należy wytrzeć zewnętrzną część garnka do powolnego gotowania wilgotną ściereczką, a następnie osuszyć.

Nie wolno zanurzać jednostki bazowej w wodzie.

pokrywka, misa do gotowania

Umyć w gorącym roztworze ze środkami czyszczącymi, opłukać, a następnie dobrze wysuszyć. żywność, która przywarła wewnątrz misy, można usunąć za pomocą miękkiej szczoteczki. Misę do gotowania oraz pokrywkę można myć w zmywarce.

obsługa i ochrona konsumenta

- Ze względu na bezpieczeństwo, jeśli uszkodzony został przewód, musi on zostać wymieniony przez specjalistę firmy KENWOOD lub przez upoważnionego przez tę firmę specjalistę .

Jeśli potrzebujesz pomocy w związku z:

- eksploatacją swojego urządzenia albo
- obsługą lub naprawą skontaktuj się ze sklepem, w którym nabyłeś urządzenie.

PRZEPISY

Podany czas gotowania należy traktować jako wskazówkę, zawsze upewnij się, że jedzenie nie jest surowe i jest bardzo gorące, zanim podasz go do stołu. Różne ilości produktów też mogą wpłynąć na czas gotowania.

zupa z ziemniaków, cheddara i szczypiorku

*4 średnie ziemniaki, obrane i pokrojone w plasterki
1 duży ząbek czosnku
475 ml bulionu
220 g tartego sera Cheddar
50 g posiekanego świeżego szczypiorku
sól i pieprz*

Do garnka-wkładki włóż ziemniaki, czosnek i zalej bulionem. Gotuj przy wysokiej (High) temperaturze przez 2-3 godziny. Wyciągnij i wymieszaj w mikserze do odpowiedniej konsystencji. Z powrotem wlej mieszankę do garnka-wkładki i dodaj ser, szczypiorek i przyprawy. Przy tym samym ustawieniu na wysokiej (High) temperaturze gotuj przez kolejne 30 minut. Przed podaniem dodaj ser i śmietanę.

duszona wołowina z warzywami

*15 ml / 1 łyżka stołowa oleju
900 g udłca
1 pokrojona i obrana cebula
3 obrane marchewki, pokrojone na płátky o grubości 1 cm
500 ml gorącego wywaru wołowego*

Rozgrzej oliwę na patelni i zrumień wołowinę ze wszystkich stron. Dodaj warzywa i smaź, aż nabiorą złocistego koloru. Przenieś mieszankę do garnka-wkładki, zalej gorącym

bulionem i dodaj przyprawy. Gotuj pod pokrywką przez około 4 godziny przy wysokiej (High) temperaturze lub około 7-8 godzin przy niskiej (Low).

wołowina na piwie

*600 g chudego duszonej wołowiny, pokrojonej na 2,5 –centymetrowe kostki
2 średnie ziemniaki, każdy pokrojony na osiem kawałków
1 duża cebula, pokrojona na osiem kawałków
2-3 marchewki pokrojone na kawałki o grubości 2 cm
300 ml piwa
200 ml wywaru wołowego
20 ml posiekanej świeżej pietruszki
25 g świeżego tymianku z usuniętymi łodygami
20-30 ml / 1-2 łyżki stołowe mąki kukurydzianej
sól i pieprz*

Umieść wszystkie składniki w garnku-wkładce, gotuj przez około 5½ godziny przy wysokiej (High) temperaturze albo 7-8 godzin przy niskiej (Low). Zmiksuj chaber z małą ilością zimnej wody, aby powstała jednolita masa. Zdejmij pokrywkę i dodaj masę do garnka, dobrze wymieszaj. Nałóż pokrywkę z powrotem i gotuj przez jeszcze jakiś czas, aż soki zaczną bulgotać i zrobią się lekko gęste.

sos boloński

Można stosować jako baza na spaghetti po bolońsku lub lasagne

15 ml / 1 łyżka stołowa oleju
1 duża posiekana cebula
5 pokrojonych plasterów boczku
650 g chudej mielonej wołowiny
1 puszki po 454 g pokrojonych pomidorów
1 obrany i rozdrobniony ząbek czosnku
1 płaskie łyżki / 15 ml (lub do smaku) przecieru pomidorowego
sól i pieprz
150 g drobno pokrojonych grzybów

Rozgrzej olej na dużej patelni i podsmaż cebulę, aż zbrązowieje. Przełóż do rondla. Na patelni podsmaż bekon i również włóż do rondla. Usmaż mięso, aż nabierze brązowego koloru, dodaj posiekane pomidory, zaczekaj aż się zagotują i także przełóż mieszankę do rondla. Umieść w rondlu pozostałe składniki. Gotuj przy wysokiej temperaturze przez około 3-4 godziny albo przy niskiej przez około 6-7 godzin.

coq au vin

150 g pokrojonego w kostki boczku
1 duża posiekana cebula
1 rozdrobnione ząbki czosnku
300 g grubo pokrojonych pieczarek dwuzarodnikowych
4 kawałków piersi z kurczaka bez kości
275 ml czerwonego wina
375 ml gorącego wywaru z kurczaka
sól i pieprz
mąka kukurydziana (opcja)

Umieścić wszystkie składniki w garnku do powolnego gotowania. Przykryj pokrywką i gotuj przy wysokiej (High) temperaturze przez około 4 godziny albo przy niskiej (Low) przez 6-7 godzin. Na życzenie możesz zagaęścić

soki dodając zmiksowany z wodą chaber. Zdejmij pokrywkę i dodaj masę do garnka, dobrze wymieszaj (w razie konieczności wyjmij piersi kurczaka i pozostaw w ciepłym miejscu, póki będziesz dodawać masę z chabru). Nałóż pokrywkę z powrotem i gotuj przez jeszcze jakiś czas, aż soki zaczną bulgotać i zrobią się lekko gęste.

duszony kurczak z estragonem

15 g masła
15 ml / 1 łyżka stołowa oleju
4 kawałków piersi z kurczaka
1 drobno posiekana cebula
150 ml wytrawnego białego wina
150 ml gorącego wywaru z kurczaka
4 gałązek estragonu
50 m bitej śmietany
sól i pieprz
1 łyżki stołowe / 15 ml mąki kukurydzianej

Rozgrzej masło i olej na patelni. Wrzuć kawałki kurczaka i zrumień z obu stron. Przełóż kurczaka do rondla. Podsmaż cebulę i włóż do rondla, dolewając wino, bulion i dodając dwie gałązki estragonu i włoszczyznę. Przykryj pokrywką i gotuj przy wysokiej temperaturze przez około 3 godziny albo przy niskiej przez około 6 godzin. Pod koniec gotowania wyjmij kawałki kurczaka i pozostaw w trybie podgrzewania. Wymieszaj mąkę kukurydzianą z wodą, aby powstała gładka masa i dodaj do wolnowaru razem ze śmietaną, dobrze wymieszaj. Włóż z powrotem kawałki kurczaka do rondla, przykryj pokrywką i gotuj przez jakiś czas, aż danie zgęstnieje. Posiekaj pozostały estragon i dodaj do rondla. Od razu podawaj.

pieczone jabłka

3 jabłek do gotowania (wybrać odpowiednią wielkość, dopasowaną do rozmiarów miski do gotowania)
75 g mieszanych suszonych owoców
2.5 ml cynamonu
25 g miążkiego cukru nieoczyszczonego
75 ml zimnej wody

Umyć jabłka i usunąć gniazdo nasienne, a następnie przy użyciu ostrego noża w każdym z nich zrobić szczeliny w skórce wokół środka. Włożyć jabłka do miski do gotowania. Wymieszać owoce, cynamon i cukier, a następnie wypełnić tą mieszanką środek każdego jabłka. Dodać wodę i przykryć pokrywką. Gotować przy ustawieniu niskie (Low) przez około 2-4 godziny (w zależności od rozmiaru i gatunku jabłek).

budyń ryżowy

75 g ryżu krótkoziarnistego lub ryżu budyniowego
50 g cukru pudru
1 litr mleka
25 g masła
mielona gałka muskatołowa

Umieść ryż, cukier i mleko w garnku-wkładce, dobrze wymieszaj. Na powierzchni umieść zestrugane masło i posyp gałką muskatołową. Przykryj pokrywką i gotuj przy wysokim (High) temperaturze przez około 2-3 godziny albo przy niskim (Low) przez 4-5 godzin. Po 1. godzinie gotowania wymieszaj składniki w garnku. Zrób to jeszcze raz w trakcie dalszego gotowania.

chutney z jabłek

Kawałki korzenia imbiru pokrojone w kostki o grubości 1 cm
7.5 ml przypraw do peklowania
700 g przygotowanych, pokrojonych jabłek do gotowania, np. Bramleys
100 g sułtanek
100 g drobno pokrojonej cebuli
1 duży, obrany i rozdrobniony ząbek czosnku
150g cukru nieoczyszczonego
150 ml octu słodowego

Owinąć imbir i przyprawy do peklowania małym kawałkiem musliu i związać.

Umieścić wszystkie składniki w misie do gotowania i dobrze wymieszać. Przykryć pokrywką i gotować przy ustawieniu niskim (Low) przez około 8 godzin. Pod koniec gotowania zdjąć pokrywkę, wymieszać składniki i przełączyć na ustawienie wysokie (High), a następnie gotować jeszcze przez 30-60 minut lub aż do osiągnięcia wymaganej konsystencji. Lekko schłodzić i umieścić w czystych słoikach, a następnie natychmiast przykryć.

Powstanie około 900 g potrawy.

Пожалуйста, разверните первую страницу с иллюстрациями

Перед использованием электроприбора Kenwood

- Внимательно прочтите и сохраните эту инструкцию.
- Распакуйте изделие и снимите все упаковочные ярлыки.

Меры предосторожности

- Данный прибор выделяет пар, который может привести к ожогам.
- Будьте осторожны при снятии крышки, чтобы не обжечься паром, вырывающимся из кастрюли медленного приготовления пищи.
- Соблюдайте осторожность в обращении с долговаркой, так как при приготовлении пищи все части прибора сильно нагреваются. **Используйте прихватки или варежки.**
- Не прикасайтесь к основанию в процессе использования или пока содержимое горячее.
- Будьте предельно осторожны при смещении кастрюли с горячим содержимым.
- Не пользуйтесь неисправной долговаркой. Обратитесь в службу ремонта для проведения тестирования и ремонта электроприбора: см. раздел "Обслуживание и забота о покупателях".
- Не пользуйтесь кастрюлей, если она каким-то образом повреждена.
- Во избежание поражения электрическим током не погружайте основание прибора, шнур или вилку в воду. Элементы регулировки должны быть всегда сухими и чистыми.
- Никогда не оставляйте шнур питания висеть в местах, где за него могут схватиться дети.
- Если вы не пользуетесь прибором длительное время, отключайте его от сети.
- Никогда не ставьте долговарку на плиту или в духовку.
- Не ставьте прибор на поверхности, чувствительные к высоким температурам.
- Не ставьте долговарку вблизи занавесок и других легковоспламеняемых предметов или материалов.
- Используйте только прилагаемую к пароварке кастрюлю.
- Пользуйтесь пароваркой только в помещении.
- Накрывайте кастрюлю только прилагаемой крышкой.
- Людям (включая детей) с ограниченными физическими, сенсорными или психическими способностями, а также при недостатке опыта и знаний разрешается пользоваться данным бытовым прибором только под наблюдением лица, ответственного за их безопасность, и после инструктажа по использованию прибора.
- Дети должны быть под присмотром и не играть с прибором.
- Этот бытовой электроприбор разрешается использовать только по его прямому назначению. Компания Kenwood не несет ответственности, если прибор используется не по назначению или не в соответствии с данной инструкцией.

Советы по приготовлению пищи

- Мясо (включая мясо птицы), рыбу и морепродукты следует готовить тщательно. Приготовление допускается только в размороженном виде.
- Не следует использовать долговарку для разогревания пищи.
- Полностью приготовленная пища должна выделять сок.
- Не следует варить мясо и птицу до полуготовности с целью заморозки и последующего приготовления до полной готовности.
- Следуйте рекомендациям производителя относительно приготовления ингредиентов. Например сухую красную фасоль следует замочить на ночь, затем проварить в кастрюле на сильном огне в чистой воде не менее 10 минут для уничтожения токсинов. После этого слить воду и добавить фасоль в долговарку.

Перед включением прибора

- Убедитесь, что напряжение, указанное на нижней стороне прибора, соответствует напряжению в вашей электросети.
- Данный электроприбор отвечает требованиям Директивы ЕС 89/336/ЕЕС.

Перед первым включением

- Регулярно мойте устройство (см. раздел «Уход и чистка»).

Обозначения

- ① Крышка
- ② Чаша
- ③ Основание
- ④ Ручки
- ⑤ Регулятор (CP706)
- ⑥ лампа индикатора (CP706)
Модель CP707
- ⑦ табло дисплея
- ⑧ кнопка высокого режима работы (High)
- ⑨ кнопка низкого режима работы (Low)
- ⑩ кнопка поддержания тепла (Warm)
- ⑪ кнопка увеличения времени таймера
- ⑫ кнопка «Включение/выключение»
- ⑬ кнопка уменьшения времени таймера

Пользование пособием для кастрюли медленного приготовления пищи (CP706)

- 1 Поместите продукты в чашу, как указано в рецепте.
- 2 Установите кастрюлю на основание. **Внимание: соблюдайте осторожность, снимая кастрюлю, чтобы не обжечься. Убедитесь, что кастрюля установлена на основании, как показано на рисунке ①, при этом ручки кастрюли должны находиться вровень с ручками основания.**
- 3 Накройте кастрюлю медленного приготовления пищи крышкой и подключите к сети.
- 4 Выберите нужный режим работы: низкий, высокий или поддержание тепла. Зажжется индикаторная лампочка, и процесс приготовления начнется.

- 5 Готовьте пищу в течении нужного времени.
- 6 После приготовления выключите долговарку и отсоедините ее от розетки.

Пользование электронной кастрюлей медленного приготовления пищи (CP707)

- 1 Поместите в кастрюлю ингредиенты согласно предлагаемым рецептам.
- 2 Установите кастрюлю на основание. **Внимание: во избежание ожога при снятии кастрюли, убедитесь в том, что она правильно установлена на основании в соответствии с рисунком ①. Ручки кастрюли должны быть на одной линии с ручками основания.**
- 3 Накройте кастрюлю крышкой.
- 4 Подключите кастрюлю медленного приготовления пищи к сети электропитания.
- 5 Нажмите кнопку ON/OFF, чтобы включить кастрюлю. На дисплее покажутся цифры «0:00» и табло засветится. Свечение табло прекратится, если вы не нажмете нужную кнопку в течение 30 секунд.
- 6 Выберите нужный режим нажатием на кнопку высокого, низкого режима или режима поддержания тепла. В правом углу на табло появится символ выбранного вами режима, и прибор заработает, демонстрируя цифры на табло.
- 7 Дождитесь окончания процесса приготовления в соответствии с указанным на табло временем.

- 8 Для прекращения процесса приготовления пищи нажмите кнопку ON/OFF. Удержите ее в нажатом состоянии в течение 5 секунд для отключения кастрюли медленного приготовления пищи. Затем отсоедините устройство от электросети.

Установка таймера (только для модели CP707)

- 1 Следуйте вышеприведенным указаниям 1 – 5.
- 2 Установите желаемое время работы нажатием кнопки увеличения (+) или уменьшения (-) времени таймера. Таймер можно устанавливать с 30-минутным интервалом до максимального значения – 10 часов для низкого и высокого режимов, но режим поддержания тепла устанавливается не более чем на 2 часа.
- 3 Выберите подходящий режим работы нажатием кнопки высокого, низкого режима приготовления пищи или режима поддержания тепла. В правой части табло появится соответствующий режиму символ. Время приготовления и таймера будет отображаться мигающими цифрами. Таймер отсчитывает время с интервалом в 1 минуту. Примечание: если вы не выбрали режим приготовления пищи в течение 15 секунд, таймер сбросит цифры, и на табло появится изображение «0:00», после чего необходимо переустановить таймер.
- 4 В конце приготовления пищи в высоком или низком режиме кастрюля будет работать в режиме поддержания тепла и

таймер начнет отсчет с 2-х часов. После 2-х часов подогрев прекратится, и таймер снова покажет «0:00».

- 5 Для отключения устройства нажмите кнопку ON/OFF и удерживайте в нажатом состоянии в течение 5 секунд. Затем отсоедините кастрюлю медленного приготовления пищи от электросети.
- **Внимание: при длительной готовке следите за тем, чтобы пища не подсохла или не пережарилась.**
 - Если при готовке с включенным таймером вам нужно изменить время, просто нажмите кнопку увеличения или уменьшения времени.

Рекомендации по установке

Приведенные ниже временные рамки являются не более чем рекомендацией, и не могут быть обязательными в зависимости от вида и количества приготовляемой пищи.

В низком режиме блюдо (low) будет приготовлено в течение 6-8 часов. Этот режим рекомендуется также для приготовления таких деликатесов, как печеные яблоки или компоты.

Высокий режим приготовления (high) ускорит сам процесс в сравнении с низким режимом до 3-5 часов.

Режим поддержания тепла (keep warm)— этот режим позволяет сохранять пищу в горячем состоянии после ее приготовления. Согласно нашим рекомендациям, пищу не следует подогревать более 2-х часов, поэтому по прошествии этого времени отключайте

прибор. При снятии крышки температура в пароварке снижается, поэтому не оставляйте кастрюлю открытой и старайтесь побыстрее закрыть ее крышкой.

Советы по приготовлению пищи

- 1 Все продукты должны быть комнатной температуры. Использовать замороженные продукты не рекомендуется. Тем не менее мясо и рыбу не следует слишком долго оставлять открытыми, их необходимо только разморозить накрыв полиэтиленовой пленкой. Не готовьте пищу заранее, чтобы не хранить ее в холодильнике.
- 2 Овощи, например морковь, лук, свеклу, необходимо тонко нарезать, так как они варятся дольше, чем мясо.
- 3 Для равномерного приготовления нарежьте продукты на одинаковые кусочки.
- 4 Для придания специфического аромата и цвета мясу и овощам и удаления лишнего жира из мяса, можно сначала обжарить мясо и овощи в отдельной сковороде. Однако, это необязательно.
- 5 Не открывайте крышку без необходимости, это приводит к избыточному испарению влаги и потере тепла. Если вы время от времени открываете крышку, для приготовления может потребоваться дополнительное время (от 20 минут до получаса).
- 6 Готовить пищу разрешается только в чаше. Запрещается помещать продукты в основание прибора.

- 7 Не окунайте горячую чашу в холодную воду сразу после приготовления пищи и не наливайте кипящую воду в пустую чашу. Чаша может лопнуть или потрескаться.
- 8 Через несколько месяцев использования эмаль чаши может потрескаться. Для эмалированной посуды это нормально и не влияет на эффективность работы долговарки.
- 9 Если вы готовите по обычным рецептам из поваренной книги, количество жидкости следует уменьшить. В отличие от обычной варки, при приготовлении пищи (тушении) в долговарке испаряется очень мало жидкости, хотя некоторое количество жидкости все же требуется для нормального распределения тепла.
- 10 Не наполните долговарку более, чем на две трети.
- 11 Во избежание створаживания молочных продуктов (сливок, йогурта, сметаны), их следует добавлять в самом конце приготовления пищи.
- 12 Замороженные овощи, например горох, следует разморозить и добавлять в последние полчаса приготовления блюда. Это позволит сохранить неизменными цвет и текстуру овощей и температуру внутри емкости.
- 13 Наилучшие результаты достигаются, когда все приготавливаемые продукты покрыты жидкостью.
- 14 Рекомендуется снять с мяса излишний жир.
- 15 При приготовлении кусков мяса с целыми костями следует аккуратно уложить их в чашу и время от времени добавлять жидкость. Переворачивайте куски в процессе приготовления.
- 16 Для ускорения процесса приготовления рекомендуется использовать горячий бульон.
- 17 Для получения более густой подливки, соуса и т.п. замесите немного кукурузной муки в холодной воде до получения однородной пасты. Добавьте смесь в чашу в конце приготовления. Накройте крышкой и дождитесь, когда подливка начнет пузыриться и загустеет.
- 18 Обратите внимание на то, что крышка может быть забрызгана.

Уход и чистка

Выключите долговарку и отсоедините ее от сети. Перед проведением чистки, подождите, пока прибор полностью остынет.

Основание

Протрите наружные поверхности долговарки влажной тканью и тщательно высушите. Не погружайте основание в воду или другую жидкость.

Чаша и крышка

Промойте теплой мыльной водой, сполосните и тщательно высушите. Для удаления прилипших остатков пищи можно использовать мягкую щетку. Чашу и крышку можно мыть в посудомоечной машине.

Обслуживание и забота о покупателях

- При повреждении шнура в целях безопасности он должен быть заменен в представительстве компании или в специализированной мастерской по ремонту агрегатов KENWOOD.

Если вам нужна помощь в:

- пользовании прибором или
 - техобслуживании или ремонте
- Обратитесь в магазин, в котором вы приобрели прибор.

РЕЦЕПТЫ

Рекомендации по времени приготовления даны только в качестве ориентировочных цифр, всегда сами следите за тем, чтобы пища была проваренной и горячей перед подачей на стол. Время приготовления зависит от количества пищи.

Суп-пюре с сыром Чеддер и луком

*4 картофелины средней величины, очищенные и нарезанные пластинками.
1 головка чеснока с крупными дольками (очистить)
475 мл бульона
220 г сыра Чеддер (натереть на терке)
50 г молодых луковиц (нарезать)
Соль, перец*

Поместите картофель, чеснок и бульон в емкость для приготовления пищи. Готовьте при максимальной температуре (High) в течение 2-3 часов. Выньте смесь и измельчите ее в блендере до необходимой консистенции. Снова поместите смесь в емкость для

приготовления пищи, добавьте сыр, лук-резанец и приправы. Оставьте при максимальной температуре (High) еще на 30 минут. Перед подачей на стол можно добавить сыр и сливки.

Тушеная говядина с овощами

*15 мл оливкового масла (1 чайная ложка)
900 г мяса с костью (верхняя часть ноги)
1 луковица (очистить и порезать)
3 торковки (очистить и порезать на куски толщиной 1 см)
500 г горячего говяжьего бульона*

Разогрейте растительное масло на сковороде и подрумяньте говядину со всех сторон. Добавьте овощи и жарьте до получения светло-золотистого цвета. Переложите смесь в емкость для приготовления пищи, добавьте горячий бульон и приправы. Накройте крышкой и готовьте при максимальной температуре (High) примерно 4 часа и при минимальной (Low) примерно 7-8 часов.

Говядина в пиве

600 г нежирного мяса для рагу
(порезать кубиками толщиной
2,5 см)

2 картофелины средней
величины, разрезанные на 8
частей каждая.

1 крупная луковица,
разрезанная на 8 частей.

2-3 морковки (порезать
ломтиками толщиной 1 см)

300 мл пива

200 мл говяжьего бульона

1 чайных ложки мелко
порубленной петрушки

1 пучок чабреца (25 г) без
стеблей

1-2 чайных ложки кукурузной
муки

Соль, перец

Положите все ингредиенты в емкость для приготовления пищи и готовьте при максимальной температуре (High) примерно 5½ часа или при минимальной (Low) примерно 7-8 часов. Смешайте кукурузную муку с небольшим количеством холодной воды, чтобы получить мягкую пасту. Снимите крышку, добавьте смесь в емкость для приготовления пищи и тщательно перемешайте. Снова накройте крышкой и продолжайте готовить, пока сок не закипит и слегка не загустеет.

Соус Болоньез

Используется как основа для приготовления спагетти

Болоньез или Лазанье

15 мл оливкового масла (1
чайная ложка)

1 крупная порубленная
луковица.

5 ломтиков бекона с
прослойками мяса (мелко
порезать)

650 г нежирного говяжьего
фарша

1 банки (по 454 г) резаных
консервированных томатов

1 головка чеснока (очистить и
мелко порезать)

1 чайные ложки (15 мл)

томатной пасты (лпбо по вкусу)
соль и перец

150 г грибов (мелко порезать)

Нагрейте растительное масло в большой сковороде, поджарьте лук до окрашивания в золотисто-коричневый цвет и переложите в пароварку. Поджарьте мясо до образования коричневой корочки, добавьте рубленые помидоры, доведите смесь кипения и переложите в пароварку. Положите в пароварку остальные ингредиенты. Готовьте в «высоком» режиме в течение приблизительно 3-4 часов или в «низком» режиме – в течение приблизительно 6-7 часов.

Курица в винном соусе (Coq au vin)

150 г бекона (порезать кубиками)
1 крупная порубленная луковица.
1 головки чеснока (покрошить)
300 г мелких грибочков (порезать на толстые ломтики)
4 куриных грудок без костей
275 мл красного вина
375 мл горячего куриного бульона
Соль, перец
Кукурузная мука (по желанию)

Положить все ингредиенты в чашу, залить бульоном. Накройте крышкой и готовьте при максимальной (High) температуре примерно 4 часа или при минимальной (Low) примерно 6-7 часов.

Если хотите, можете загустить сок с помощью небольшого количества кукурузной муки, перемешанной с водой до получения мягкой пасты. Снимите крышку, добавьте смесь в емкость для приготовления пищи и тщательно перемешайте (при необходимости выньте кусочки куриной грудки и держите их в тепле, пока добавляете кукурузную муку). Снова накройте крышкой и продолжайте готовить, пока сок не закипит и слегка не загустеет.

Куриное рагу с эстрагоном

15 г сливочного масла
15 мл оливкового масла (1 чайная ложка)
4 куриных грудок
1 мелко порубленная луковица.
150 мл сухого белого вина
150 мл горячего куриного бульона
4 веточек эстрагона
50 мл густых сливок
Соль, перец
1 столовая ложка/15 мл кукурузной муки (примерно).

Подогрейте на сковороде сливочное и растительное масло. Добавьте кусочки куриного филе и прожарьте их до появления корочки. Поместите все это в кастрюлю. Поджарьте на сковороде лук и переложите его в кастрюлю с вином, левкоем, двумя веточками эстрагона и специями. Накройте крышкой и готовьте при высоком режиме в течение приблизительно 3 часов или в низком в течение около 6 часов. В последней фазе приготовления выньте филе, цыпленка и постарайтесь сохранить его теплым. Замесите на воде кукурузную муку, создав тестообразную массу, и добавьте в кастрюлю со сливками, тщательно перемешав и установив низкий режим работы. Положите в кастрюлю ранее удаленные кусочки куриного филе, накройте крышкой и тушите до загустения блюда. В самом конце измельчите остатки эстрагона и добавьте в кастрюлю. После этого сразу подавайте на стол.

Тушеные яблоки

3 яблок столовых сортов
нужного размера (так, чтобы
они поместились в чаше)
150 г сухофруктов
5 мл корицы (1 чайная ложка)
50 г коричневого мягкого
сахара
125 мл холодной воды

Помойте яблоки, выньте сердцевину. Острым ножом сделайте круговой надрез в средней части каждого яблока. Положите яблоки в чашу. Сделайте смесь из фруктов, корицы и сахара и полученной смесью заполните отверстия в яблоках. Добавьте воду и закройте крышку. Готовить в режиме (Low) Медленно около 2-4 часов, в зависимости от размера и сорта яблок.

Рисовый пудинг

75 г круглого риса или риса для пудингов
50 г мелкого сахара
1 л молока
25 г сливочного масла
Мускатный орех

Поместите рис, сахар и молоко в емкость для приготовления пищи и тщательно перемешайте. Сверху покройте стружкой сливочного масла и присыпьте молотым мускатным орехом. Накройте крышкой и готовьте при максимальной (High) температуре примерно 2-3 часа или при минимальной (Low) 4-5 часов. Через 1 час и еще один раз в процессе приготовления перемешайте содержимое емкости.

Яблочный соус чатни

Ломтик корня имбиря шириной
около 1 см
7.5 мл специй для пикулей
700 г нарезанных ломтиками
яблок столовых сортов (напр.
Брэмли)
100 г изюма кишмиш
100 г тонко порезанного лука
1 крупная головка чеснока
(очистить и покрошить)
150 г темно-коричневого сахара
150 мл мальтийского уксуса

Завязать ломтик корня имбиря и специи в тонкую ткань. Положить все ингредиенты в чашу и хорошо перемешать. Накрыть крышкой и готовить в режиме (Low) Медленно около 8 часов. В конце приготовления снять крышку, перемешать соус, включить режим (High) Быстро, довести до кипения и готовить еще около 30-60 минут либо до достижения нужной консистенции. Дать остыть, переложить в чистые банки и герметично закрыть. Получается около 900 г соуса.

Παρακαλώ να ξεδιπλώσετε την μπροστινή σελίδα όπου παρέχεται εικονογράφηση

πριν χρησιμοποιήσετε τη συσκευή Kenwood

- Διαβάστε προσεκτικά αυτές τις οδηγίες και φυλάξτε τις για μελλοντική αναφορά.
- Αφαιρέστε τη συσκευασία και τις ετικέτες.

ασφάλεια

- Αυτή η συσκευή παράγει ατμό ο οποίος μπορεί να σας κάψει.
- Προσέχετε μην καείτε από τον ατμό που βγαίνει από το σκεύος slow cooker, ιδίως όταν αφαιρείτε το καπάκι.
- Να είστε προσεκτικοί όταν χειρίζεστε την κασαρόλα υγιεινού μαγειρέματος καθώς όλα τα μέρη της θερμαίνονται κατά τη χρήση.

Να χρησιμοποιείτε γάντια φούρνου.

- Μην ανασκώνετε τη μονάδα βάσης κατά τη χρήση και ενόσω το περιεχόμενο είναι καυτό.
- Να είστε πολύ προσεκτικοί όταν μετακινείτε το σκεύος μαγειρέματος, εάν το περιεχόμενο είναι καυτό.
- Μη χρησιμοποιείτε ποτέ την κασαρόλα υγιεινού μαγειρέματος εάν έχει βλάβη. Στείλτε την για έλεγχο ή επισκευή: δείτε το κεφάλαιο 'σέρβις και εξυπηρέτηση πελατών'.
- Μην χρησιμοποιείτε το σκεύος μαγειρέματος, εάν έχει ρωγμές ή οποιουδήποτε είδους φθορές.
- Ποτέ μην εμβαπτίζετε την κεντρική μονάδα, το καλώδιο ή το φις σε νερό – μπορεί να πάθετε ηλεκτροπληξία. Διατηρείτε τα χειριστήρια καθαρά και στεγνά.
- Μην αφήνετε ποτέ το καλώδιο να κρέμεται σε σημείο όπου μπορούν να το φτάσουν παιδιά.
- Βγάζετε πάντα την κασαρόλα υγιεινού μαγειρέματος από την πρίζα όταν δεν χρησιμοποιείται.

- Ποτέ μην τοποθετείτε τη συσκευή ή τα μέρη της πάνω στην ηλεκτρική κουζίνα ή μέσα στο φούρνο.
- Μη χρησιμοποιείτε τη συσκευή σε επιφάνειες ευαίσθητες στη θερμότητα.
- Μη χρησιμοποιείτε την κασαρόλα υγιεινού μαγειρέματος κοντά σε ή κάτω από κουρτίνες ή άλλα εύφλεκτα υλικά.
- Χρησιμοποιείτε το slow cooker μόνο με το σκεύος που παρέχεται.
- Μην χρησιμοποιείτε τη συσκευή σε εξωτερικούς χώρους.
- Μην σκεπάζετε το σκεύος μαγειρέματος με οτιδήποτε άλλο εκτός από το καπάκι που παρέχεται.
- Η συσκευή αυτή δεν προορίζεται για χρήση από άτομα (συμπεριλαμβανομένων των παιδιών) με περιορισμένες φυσικές, αισθητήριες ή διανοητικές ικανότητες ή έλλειψη εμπειρίας και γνώσεων, παρά μόνον εάν βρίσκονται υπό την επίβλεψη ατόμου που είναι υπεύθυνο για την ασφάλειά τους ή ακολουθούν τις οδηγίες του σχετικά με τη λειτουργία της συσκευής.
- Τα παιδιά θα πρέπει να βρίσκονται υπό παρακολούθηση, έτσι ώστε να διασφαλίζεται ότι δεν παίζουν με τη συσκευή.
- χρησιμοποιείτε τη συσκευή μόνο για την οικιακή χρήση προορίζεται. Η Kenwood δε φέρει οποιαδήποτε ευθύνη αν η συσκευή χρησιμοποιηθεί με λανθασμένο τρόπο ή σε περίπτωσης με αυτές οδηγίες.

ασφάλεια τροφών

- Μαγειρεύετε καλά το κρέας (περιλαμβανομένων των πουλερικών), το ψάρι και τα θαλασσινά. Μην τα μαγειρεύετε ποτέ ενώ είναι κατεψυγμένα.
- Μην ξαναζεσταίνετε φαγητό στην κατσαρόλα υγιεινού μαγειρέματος.
- Να σιγουρεύεστε πάντα πως το φαγητό είναι καυτό πριν το φάτε.
- Ποτέ μη μαγειρεύετε μερικώς κρέας και πουλερικά και στη συνέχεια να τα ψύχετε για να τα μαγειρέψετε στο μέλλον.
- Ακολουθείτε τις συμβουλές μαγειρέματος του κατασκευαστή των τροφών, ειδικά για τα όσπρια. Για παράδειγμα, τα κόκκινα φασόλια θα πρέπει να μουλιάζουν σε νερό από το προηγούμενο βράδυ και στη συνέχεια να βράζουν γρήγορα στην ηλεκτρική κουζίνα για τουλάχιστον 10 λεπτά σε μια κατσαρόλα με φρέσκο νερό για να απαλλαγούν από τις τοξίνες πριν στραγγιστούν και μπουν στην κατσαρόλα υγιεινού μαγειρέματος.

πριν τη σύνδεση

- Σιγουρευτείτε πως η παροχή του ηλεκτρικού σας είναι η ίδια με αυτήν που φαίνεται στο κάτω μέρος της συσκευής.
- Αυτή η συσκευή συμμορφώνεται με την Οδηγία 89/336/ΕΕΓ της Ευρωπαϊκής Οικονομικής Κοινότητας.

πριν την πρώτη χρήση

- Πλύνετε τα εξαρτήματα, ανατρέξτε στην ενότητα «φροντίδα και καθαρισμός»

επεξήγηση

- ① καπάκι
 - ② κατσαρόλα μαγειρέματος
 - ③ κεντρική μονάδα
 - ④ χερούλια
 - ⑤ διακόπτης χειρισμού (CP706)
 - ⑥ ενδεικτική λυχνία (CP706)
- Μοντέλο CP707**
- ⑦ οθόνι
 - ⑧ κουμπί υψηλής ρύθμισης(High)
 - ⑨ κουμπί χαμηλής ρύθμισης(Low)
 - ⑩ κουμπί διατήρησης θερμοκρασίας(Warm)
 - ⑪ κουμπί αύξησης χρόνου
 - ⑫ κουμπί λειτουργίας
 - ⑬ κουμπί μείωσης χρόνου

πώς να χρησιμοποιείτε το μη αυτόματο σκεύος slow cooker (CP706)

- 1 Ακολουθήστε τη συνταγή και τοποθετήστε τα υλικά στο δοχείο μαγειρέματος.
- 2 Τοποθετήστε το σκεύος μαγειρέματος στη μονάδα βάσης. **Σημαντικό – για να μην καείτε όταν αφαιρέσετε το σκεύος μαγειρέματος, βεβαιωθείτε ότι το έχετε τοποθετήσει στη μονάδα βάσης όπως φαίνεται στις εικόνες ①, με τις λαβές του σκεύους μαγειρέματος παράλληλα προς τις λαβές της μονάδας βάσης.**
- 3 Τοποθετήστε το καπάκι στη θέση του και συνδέστε το σκεύος slow cooker στην παροχή ρεύματος.
- 4 Επιλέξτε τη ρύθμιση που θέλετε, δηλ. υψηλή ή χαμηλή θερμοκρασία ή διατήρηση θερμοκρασίας. Η ενδεικτική λυχνία θα ανάψει και θα αρχίσει το μαγείρεμα.
- 5 Αφήστε το φαγητό να ψηθεί για τον απαιτούμενο χρόνο.
- 6 Μετά το μαγείρεμα, σβήστε την κατσαρόλα υγιεινού μαγειρέματος και βγάλτε την από τη πρίζα.

πώς να χρησιμοποιείτε το ηλεκτρονικό σκεύος slow cooker (CP707)

- 1 Ακολουθήστε τη συνταγή και τοποθετήστε τα υλικά στο σκεύος μαγειρέματος.
- 2 Τοποθετήστε το σκεύος μαγειρέματος στη μονάδα βάσης.
Σημαντικό – για να μην καείτε όταν αφαιρέσετε το σκεύος μαγειρέματος, βεβαιωθείτε ότι το έχετε τοποθετήσει στη μονάδα βάσης όπως φαίνεται στις εικόνες ❶, με τις λαβές του σκεύους μαγειρέματος παράλληλα προς τις λαβές της μονάδας βάσης.
- 3 Τοποθετήστε το καπάκι στη θέση του.
- 4 Συνδέστε το σκεύος slow cooker στην παροχή ρεύματος.
- 5 Πατήστε το κουμπί λειτουργίας για να θέσετε σε λειτουργία το σκεύος slow cooker. Στην οθόνη θα εμφανιστεί η ένδειξη 0:00 και θα φωτιστεί. Ο φωτισμός της οθόνης θα σβήσει, εάν δεν πατήσετε κανένα κουμπί εντός 30 δευτερολέπτων.
- 6 Επιλέξτε τον τρόπο μαγειρέματος που θέλετε πατώντας το κουμπί υψηλής ή χαμηλής ρύθμισης ή το κουμπί διατήρησης θερμοκρασίας. Θα εμφανιστεί ένα εικονίδιο στη δεξιά πλευρά της οθόνης, ενώ μία κάθετος θα εμφανιστεί δίπλα στον επιλεγμένο τρόπο μαγειρέματος. Θα αρχίσει το μαγείρεμα, όπως θα υποδεικνύουν και τα δεκαδικά ψηφία που θα αναβοσβήνουν.
- 7 Αφήστε το φαγητό να μαγειρευτεί όση ώρα χρειάζεται.
- 8 Πατήστε το κουμπί λειτουργίας μία φορά, για να σταματήσει το μαγείρεμα. Κρατήστε το κουμπί λειτουργίας πατημένο για 5 δευτερόλεπτα, ώστε να θέσετε το

slow cooker εκτός λειτουργίας. Μετά τη χρήση, αποσυνδέστε το σκεύος slow cooker από την πρίζα.

ρύθμιση του χρονοδιακόπτη (μόνο για το μοντέλο CP707)

- 1 Ακολουθήστε τα βήματα 1 – 5 παραπάνω.
- 2 Ρυθμίστε τον επιθυμητό χρόνο μαγειρέματος πατώντας τα πλήκτρα αύξησης (+) ή μείωσης (-) του χρόνου. Μπορείτε να ρυθμίσετε το χρονοδιακόπτη κατά διαστήματα των 30 λεπτών έως 10 ώρες το μέγιστο για τη χαμηλή και υψηλή ρύθμιση, αλλά ο χρονοδιακόπτης θα ρυθμιστεί κατά προεπιλογή σε μέγιστο χρονικό διάστημα 2 ωρών για τη διατήρηση θερμοκρασίας.
- 3 Επιλέξτε τον τρόπο μαγειρέματος που θέλετε, πατώντας το κουμπί υψηλής ή χαμηλής ρύθμισης ή το κουμπί διατήρησης θερμοκρασίας. Θα εμφανιστεί ένα εικονίδιο στη δεξιά πλευρά της οθόνης, ενώ μία κάθετος θα εμφανιστεί δίπλα στον επιλεγμένο τρόπο μαγειρέματος. Θα αρχίσει το μαγείρεμα και η αντίστροφη μέτρηση του χρονοδιακόπτη, όπως θα υποδεικνύουν και τα δεκαδικά ψηφία που θα αναβοσβήνουν. Ο χρονοδιακόπτης θα μετρά αντίστροφα κατά διαστήματα του 1 λεπτού.
Σημείωση: Εάν δεν επιλέξετε κανένα τρόπο λειτουργίας εντός 15 δευτερολέπτων, ο χρονοδιακόπτης θα επιστρέψει στην ένδειξη 0:00 και θα πρέπει να τον ρυθμίσετε ξανά.

- 4 Στο τέλος του χρόνου μαγειρέματος σε χαμηλή ή υψηλή ρύθμιση, το σκεύος slow cooker θα μεταβεί αυτόματα στη διατήρηση θερμοκρασίας και θα αρχίσει η αντίστροφη μέτρηση των 2 ωρών. Μετά τις 2 ώρες, το ζέσταμα θα σταματήσει και η ένδειξη στην οθόνη θα επανέλθει στο 0:00.
- 5 Κρατήστε πατημένο το κουμπί λειτουργίας για 5 δευτερόλεπτα, ώστε να θέσετε το σκεύος slow cooker εκτός λειτουργίας. Μετά τη χρήση, αποσυνδέστε το σκεύος slow cooker.
- **Σημαντικό:** Όταν μαγειρεύετε με χρονοδιακόπτη για παρατεταμένο χρονικό διάστημα, βεβαιωθείτε ότι το φαγητό δεν θα στεγνώσει και δεν θα καεί.
 - Εάν κατά τη διάρκεια του μαγειρέματος με χρονοδιακόπτη θέλετε να αλλάξετε το χρόνο μαγειρέματος, πατήστε απλώς το κουμπί αύξησης ή μείωσης του χρόνου.

Βασικές ρυθμίσεις

Οι παρακάτω χρόνοι είναι μόνον ενδεικτικοί και θα διαφέρουν ανάλογα με το είδος και τις ποσότητες φαγητού που μαγειρεύετε.

η χαμηλή (low) ρύθμιση μαγειρεύει το φαγητό σιγά-σιγά κατά τη διάρκεια της ημέρας και το μαγείρεμα διαρκεί περίπου 6-8 ώρες. Μπορείτε επίσης να χρησιμοποιείτε τη ρύθμιση αυτή όταν μαγειρεύετε πιο ευαίσθητες τροφές για τις οποίες ενδείκνυται το ελαφρύτερο μαγείρεμα, όπως τα ψητά μήλα και τα φρούτα κομπόστα.

η υψηλή (high) ρύθμιση επιταχύνει τη διαδικασία μαγειρέματος συγκριτικά με τη χαμηλή ρύθμιση, καθώς ο χρόνος μαγειρέματος κυμαίνεται σε 3-5 ώρες.

ρύθμιση διατήρησης θερμοκρασίας (keep warm)—

Χρησιμοποιήστε αυτή τη ρύθμιση όταν το φαγητό είναι έτοιμο για να το διατηρήσετε ζεστό. Συνιστούμε να μην διατηρείτε το φαγητό ζεστό για διάστημα μεγαλύτερο των 2 ωρών μετά το μαγείρεμα. Μετά τη χρήση θέστε το σκεύος εκτός λειτουργίας. Όταν αφαιρείτε το καπάκι, μειώνεται η θερμοκρασία στο εσωτερικό του σκεύους. Επομένως, περιορίστε αυτή τη συνήθεια στο ελάχιστο και να επανατοποθετείτε το καπάκι αμέσως.

συμβουλές για τη χρήση της κατσαρόλας υγιεινού μαγειρέματος

- 1 Είναι προτιμότερο να προετοιμάζετε και να χρησιμοποιείτε τα υλικά σε θερμοκρασία δωματίου και όχι κατευθείαν από το ψυγείο. Παρόλα αυτά, υλικά όπως κρέατα και ψάρια δε θα πρέπει να μένουν εκτός ψυγείου για μεγαλύτερο διάστημα απ'όσο χρειάζεται, οπότε βγάλτε τα από το ψυγείο για μην είναι παγωμένα και κρατάτε τα καλυμμένα με διαφανή μεμβράνη ή με πλαστικό περιτύλιγμα. Μην μαγειρεύετε φαγητό εκ των προτέρων και μετά το αφήνετε εκτός ψυγείου.
- 2 Κόβετε τα λαχανικά με ρίζες όπως είναι τα καρότα, τα κρεμμύδια, τα γουλιά κ.λπ., σε σχετικά μικρά κομμάτια καθώς χρειάζονται περισσότερη ώρα για να μαγειρευτούν από ότι το κρέας.

- 3 Κόβετε τα υλικά κάθε τύπου σε κομμάτια παρόμοιου μεγέθους, καθώς αυτό θα βοηθήσει να μαγειρευτούν ομοιόμορφα.
- 4 Το ρόδισμα του κρέατος και το σοτάρισμα των λαχανικών πιο πριν σε ένα ξεχωριστό τηγάνι θα βοηθήσει στην αφαίρεση μέρους του λίπους του κρέατος και επίσης θα βελτιώσει την εμφάνιση και τη γεύση τόσο του κρέατος όσο και των λαχανικών. Αυτό, ωστόσο, δεν είναι απαραίτητο.
- 5 Μη σηκώνετε το καπάκι περισσότερο απ' όσο χρειάζεται κατά το μαγείρεμα γιατί αυτό θα προκαλέσει απώλεια της θερμότητας και εξάτμιση των υγρών. Μπορεί να χρειαστεί, ανάλογα με το πόσο συχνά βγάζετε το καπάκι και για πόση ώρα, να αυξήσετε την ώρα μαγειρέματος κατά 20 λεπτά με μισή ώρα.
- 6 Το μαγείρεμα γίνεται πάντα μέσα στο δοχείο μαγειρέματος. Ποτέ μην τοποθετείτε φαγητό απευθείας στην κεντρική μονάδα.
- 7 Ποτέ μη βυθίζετε το καυτό δοχείο μαγειρέματος σε κρύο νερό αμέσως μετά τη χρήση και μην ρίχνετε βραστό νερό σε άδειο, κρύο δοχείο μαγειρέματος. Αν το υποβάλλετε σε απότομη αλλαγή θερμοκρασίας μπορεί να ραγίσει.
- 8 Μετά από αρκετούς μήνες χρήσης μπορεί να παρατηρήσετε ρωγμές στην εμαγιέ επιφάνεια του δοχείου μαγειρέματος: αυτό είναι συνηθισμένο φαινόμενο με τα εμαγιέ κεραμικά και δεν επηρεάζει την απόδοση της κατασρόλας υγιεινού μαγειρέματος.
- 9 Αν προσαρμόζετε συνταγές από συμβατικές μεθόδους μαγειρέματος, μπορεί να χρειαστεί να μειώσετε την ποσότητα των υγρών που χρησιμοποιούνται. Με το αργό μαγείρεμα τα υγρά δεν εξατμίζονται τόσο γρήγορα όσο με τις συμβατικές μεθόδους μαγειρέματος παρότι είναι απαραίτητη μια ποσότητα υγρών για να βοηθήσουν στην μεταφορά της θερμότητας.
- 10 Ποτέ μη γεμίζετε την κατασρόλα υγιεινού μαγειρέματος περισσότερο από τα $\frac{2}{3}$ της.
- 11 Τα γαλακτοκομικά προϊόντα, περιλαμβανομένης της κρέμας γάλακτος, της ξινής κρέμας (τοφσ γσεαν) και του γιαουρτιού, θα πρέπει να προστίθενται προς το τέλος του μαγειρέματος για να αποτραπεί όσο είναι δυνατόν το σβόλιασμα.
- 12 Τα κατεψυγμένα λαχανικά όπως ο αρακάς θα πρέπει να αποψύχονται και να προστίθενται στο σκεύος την τελευταία $\frac{1}{2}$ -1 ώρα του μαγειρέματος. Με αυτό τον τρόπο διατηρείται το χρώμα και η υφή των λαχανικών, καθώς και η θερμοκρασία μέσα στο σκεύος.
- 13 Θα έχετε καλύτερα αποτελέσματα όταν τα υλικά είναι καλυμμένα με υγρό.
- 14 Αφαιρέστε το παραπανίσιο λίπος από το κρέας.
- 15 Όταν μαγειρεύετε ολόκληρα μπούτια, σιγουρευτείτε πως χωράνε άνετα στο δοχείο μαγειρέματος και προσθέτετε συνέχεια υγρά. Γυρίστε πλευρά στο φαγητό στα μισά της διαδικασίας μαγειρέματος.
- 16 Αν χρησιμοποιήσετε ζεστό ζυμό θα επιταχύνετε τη διαδικασία μαγειρέματος.
- 17 Για να πήξετε τη σάλτσα κρέατος κ.λπ., ανακατέψτε λίγο κορνφλάουρ με λίγο κρύο νερό για να δημιουργήσετε ένα ομοιόμορφο μείγμα. Προσθέστε το μείγμα στο δοχείο μαγειρέματος προς το τέλος του χρόνου μαγειρέματος. Σκεπάστε και συνεχίστε το μαγείρεμα για λίγο ακόμα, έως ότου η σάλτσα να πήξει και να αρχίσει να βγάξει φυσαλίδες.
- 18 Έχετε υπ' όψιν ότι μπορεί να στάζουν υδρατμοί γύρω από το καπάκι.

1 φροντίδα και καθαρισμός

Πάντα να σβήνετε τη συσκευή, να τη βγάξετε από την πρίζα και να την αφήνετε να κρυώνει πριν την καθαρίσετε.

κεντρική μονάδα

Σκουπίζετε το εσωτερικό της κατασρόλας υγιεινού μαγειρέματος με ένα υγρό πανί και έπειτα την στεγνώνετε.

Ποτέ μην εμβαπτίζετε την κεντρική μονάδα σε νερό.

καπάκι, δοχείο μαγειρέματος

Πλένετέ τα σε ζεστό νερό με σαπούνι, ξεπλένετε και έπειτα στεγνώνετε καλά. Τα φαγητά που έχουν κολλήσει στο εσωτερικό του δοχείου μπορούν να αφαιρεθούν με τη βοήθεια μιας βούρτσας με μαλακές τρίχες.

Το δοχείο μαγειρέματος και το καπάκι μπορούν να πλυθούν στο πλυντήριο πιάτων

σέρβις και εξυπηρέτηση πελατών

- Εάν το καλώδιο έχει υποστεί ζημιά, πρέπει, για λόγους ασφαλείας, να αντικατασταθεί από την KENWOOD ή από εξουσιοδοτημένο κέντρο επισκευών της KENWOOD.

Εάν χρειάζεστε βοήθεια σχετικά με:

- τη χρήση της συσκευής ή
- το σέρβις ή τις επισκευές επικοινωνήστε με το κατάστημα από το οποίο αγοράσατε τη συσκευή σας.

ΣΥΝΤΑΓΕΣ

Οι χρόνοι είναι μόνον ενδεικτικοί. Πάντα να βεβαιώνεστε ότι το φαγητό έχει μαγειρευτεί καλά και ότι είναι καυτό προτού σερβίρετε. Οι διαφορετικές ποσότητες ενδέχεται επίσης να επηρεάσουν τους χρόνους μαγειρέματος.

σούπα με πατάτες, τσένταρ και πράσα

4 μέτριες προς μεγάλες πατάτες, καθαρισμένες και κομμένες σε φέτες

1 μεγάλη σκελίδα σκόρδο, ξεφλουδισμένη

475 ml ζωμού

220 g τυρί τσένταρ, τριμμένο

50 g φρέσκα πράσα, τεμαχισμένα αλάτι και πιπέρι

Βάζετε τις πατάτες, το σκόρδο και το ζωμό μέσα στο σκεύος μαγειρέματος. Μαγειρεύετε στην Υψηλή (High) ρύθμιση για 2-3 ώρες. Βγάξετε το μείγμα και το αναμειγνύετε σε μπλέντερ έως ότου αποκτήσει την υφή που θέλετε. Ξαναβάζετε το μείγμα στο σκεύος μαγειρέματος και προσθέτετε το τυρί, σχινόπρασο και αλατοπίπερο. Αφήνετε να μαγειρευτούν στην Υψηλή (High) ρύθμιση για 30 ακόμη λεπτά. Πριν το σερβίρισμα, μπορείτε να προσθέσετε επιπλέον τυρί και κρέμα γάλακτος.

ψητό μοσχάρι με λαχανικά

15 ml/1 κουταλιά λάδι
900 g μπούτι από το πάνω μέρος
1 ξεφλουδισμένο και τεμαχισμένο
κρεμμύδι
3 καρότα ξεφλουδισμένα και
κομμένα σε
φέτες πάχους 1 εκ
500 ml ζεστό βοδινό ζωμό

Ζεσταίνετε το λάδι σε τηγάνι και ροδίζετε το βοδινό από κάθε πλευρά. Προσθέτετε τα λαχανικά και τα τηγανίζετε μέχρις ότου ξανθύνουν ελαφρώς. Μεταφέρετε το μείγμα στο σκεύος μαγειρέματος, προσθέτετε το ζεστό ζωμό και αλατοπίπερο. Τοποθετείτε το καπάκι στη θέση του και μαγειρεύετε στην Υψηλή (High) ρύθμιση για περίπου 4 ώρες, και στη Χαμηλή (Low) Ρύθμιση για περίπου 7-8 ώρες.

μοσχάρι με μπύρα

600 g άπαχη μπριζόλα κατσαρόλας
κομμένη σε κύβους 2,5 εκ
2 μέτριες πατάτες, κομμένες σε
οκτώ κομμάτια η καθεμία
1 μεγάλο κρεμμύδι, κομμένο στα
οκτώ
2-3 καρότα, κομμένα σε κομμάτια
πάχους 2 εκ.
300 ml μπύρα
200 ml βοδινό ζωμό
20 ml/1 κουταλιές φρέσκο
μαϊντανό, ψιλοκομμένο
25 ηματσάκι ψιλοκομμένο θυμάρι,
χωρίς κοτσάνια
20-30 ml/1-2 κουταλιές
κορνφλάουρ
αλάτι και πιπέρι

Βάζετε όλα τα υλικά μέσα στο σκεύος και τα αφήνετε να μαγειρευτούν στην Υψηλή (High) ρύθμιση για 5½ ώρες περίπου ή στη Χαμηλή (Low) ρύθμιση για 7-8 ώρες περίπου. Αναμειγνύετε το κορνφλάουρ με λίγο κρύο νερό έως ότου

γίνει ομοιογενής πολτός. Αφαιρείτε το καπάκι, προσθέτετε το μείγμα στο σκεύος μαγειρέματος και ανακατεύετε καλά. Ξαναβάζετε το καπάκι και μαγειρεύετε λίγη ώρα ακόμη έως ότου το υγρό αρχίσει να κοχλάζει και πήξει ελαφρώς.

σάλτσα μπολονέζ

Χρησιμοποιείται ως βάση για Σπαγγέτι Μπολονέζ ή Λαζάνια

15 ml/1 κουταλιά λάδι
1 μεγάλο κρεμμύδι, ψιλοκομμένο
5 λωρίδες μπέικον, ψιλοκομμένο
650 g μοσχαρίσιος κιμάς
1 x 454 g κονσέρβες ψιλοκομμένο
ντοματάκια
1 σκελίδα σκόρδο, ξεφλουδισμένη
και λιωμένη
1 κοφτές κουταλιές/15 ml
τοματοπολτού ή ανάλογα με τη
γεύση
αλάτι και πιπέρι
150 g μανιτάρια λεπτοκομμένα

Ζεσταίνετε το λάδι σε μεγάλο τηγάνι, τσιγαρίζετε το κρεμμύδι έως ότου ξανθύνει και μετά το μεταφέρετε στο σκεύος μαγειρέματος. Προσθέτετε το μπέικον στο τηγάνι για να το τηγανίσετε και το ρίχνετε στο σκεύος μαγειρέματος. Τηγανίζετε το κρέας έως ότου ροδίσει, προσθέτετε τις ψιλοκομμένες ντομάτες, αφήνετε το μείγμα να πάρει βράση και μετά το μεταφέρετε στο σκεύος μαγειρέματος. Τοποθετείτε τα υπόλοιπα υλικά στο σκεύος μαγειρέματος. Μαγειρεύετε στην υψηλή ρύθμιση για 3-4 ώρες περίπου ή στη χαμηλή ρύθμιση για περίπου 6-7 ώρες.

σοφ αυ νιν (κόκορας κρασάτος)

150 g μπέικον, κομμένο σε κύβους
1 μεγάλο κρεμμύδι, ψιλοκομμένο
1 σκελίδες σκόρδο, λιωμένες
300 g μανιτάρια, σε παχιές φέτες
4 στήθη κοτόπουλο χωρίς κόκαλο
275 ml κόκκινο κρασί
375 ml ζεστός ζωμός κότας
αλάτι και πιπέρι
κορνφλάουρ (προαιρετικό)

Τοποθετήστε όλα τα υλικά στην
κατσαρόλα υγιεινού μαγειρέματος.
Σκεπάζετε με το καπάκι και
μαγειρεύετε στην Υψηλή (High)
ρύθμιση για 4 ώρες ή στη Χαμηλή
(Low) ρύθμιση για 6-7 ώρες περίπου.
Εάν θέλετε, δένετε λίγο τη σάλτσα
με κορν-φλάουρ που έχετε διαλύσει
σε νερό έως ότου γίνει ομοιογενής
πολτός. Αφαιρείτε το καπάκι,
προσθέτετε το μείγμα στο σκεύος
μαγειρέματος και ανακατεύετε καλά
(εάν χρειάζεται, βγάζετε τα στήθη
κοτόπουλου και τα διατηρείτε ζεστά
έως ότου προσθέσετε το κορν-
φλάουρ). Ξαναβάζετε το καπάκι και
μαγειρεύετε λίγη ώρα ακόμη, έως
όπου το υγρό αρχίσει να κοχλάζει και
πήξει ελαφρώς.

κοτόπουλο με εστραγκόν στην κατσαρόλα

15 g βούτυρο
1 κουταλιά/15 νμ λάδι
4 στήθη κοτόπουλο
1 κρεμμύδι ψιλοκομμένο
150 ml ξηρό λευκό κρασί
150 ml ζεστός ζωμός κότας
4 κλαράκια εστραγκόν
50 ml παχιά κρέμα γάλακτος
αλάτι και πιπέρι
1 κουτ. σούπας/15 ml κορν-
φλάουρ (περίπου)

Ζεσταίνετε το βούτυρο και το λάδι
σε τηγάνι. Προσθέτετε τα κομμάτια
κοτόπουλου και τα ροδίζετε και από
τις δύο πλευρές. Μεταφέρετε το
κοτόπουλο στο σκεύος
μαγειρέματος. Τηγανίζετε το
κρεμμύδι και το αδειάζετε στο
σκεύος με το κρασί, το ζωμό, 2
κλωναράκια εστραγκόν και
αλατοπίπερο. Σκεπάζετε με το
καπάκι και μαγειρεύετε στην υψηλή
ρύθμιση για 3 ώρες περίπου και στη
χαμηλή ρύθμιση για 6 ώρες περίπου.
Στο τέλος του χρόνου μαγειρέματος,
βγάζετε τα κομμάτια κοτόπουλου και
τα διατηρείτε ζεστά. Αναμειγνύετε
το κορν-φλάουρ με λίγο νερό έως
όπου γίνει ομοιογενής πολτός και το
προσθέτετε στο σκεύος slow cooker
με την κρέμα γάλακτος
ανακατεύοντας καλά. Ξαναβάζετε το
κοτόπουλο μέσα στο μπολ
μαγειρέματος, σκεπάζετε με το
καπάκι και αφήνετε να μαγειρευτεί
λίγη ώρα ακόμη έως ότου πήξει η
σάλτσα. Στο τέλος, ψιλοκόβετε το
υπόλοιπο εστραγκόν και το
προσθέτετε στο σκεύος
μαγειρέματος. Σερβίρετε αμέσως.

ψητά μήλα

3 Μήλα για μαγείρεμα (διαλέξτε μήλα με μέγεθος που να χωράνε στο δοχείο μαγειρέματος)
75 g ανάμεικτα αποξηραμένα φρούτα
2.5 ml κουταλιά κανέλα
25 g μαλακή μαύρη ζάχαρη
75 ml κρύο νερό

Πλύνετε και βγάλτε το κουκούτσι από τα μήλα, έπειτα χρησιμοποιώντας ένα κοφτερό μαχαίρι κάντε μια σχισμή στη φλούδα γύρω από τη μέση του κάθε μήλου. Τοποθετήστε τα μήλα στο δοχείο μαγειρέματος. Ανακατέψτε τα φρούτα, την κανέλα και τη ζάχαρη και έπειτα γεμίστε το κέντρο του κάθε μήλου με το μείγμα. Προσθέστε το νερό και σκεπάστε με το καπάκι. Μαγειρέψτε στη Χαμηλή (Low) Ρύθμιση για περίπου 2-4 ώρες (αυτό εξαρτάται από το μέγεθος και την ποικιλία των μήλων).

πουτίγκα ρυζιού

75 g σπυρωτού ρυζιού ή γλασέ
50 g ζάχαρη άχνη
1 λίτρο γάλα
25 g βούτυρο
αλεσμένο μοσχοκάρυδο

Βάζετε το ρύζι, τη ζάχαρη και το γάλα μέσα στο σκεύος μαγειρέματος και ανακατεύετε καλά. Προσθέτετε ξύσματα βουτύρου και πασπαλίζετε με μοσχοκάρυδο. Τοποθετείτε το καπάκι στη θέση του και μαγειρεύετε στην Υψηλή (High) ρύθμιση για περίπου 2-3 ώρες ή στη Χαμηλή (Low) Ρύθμιση για 4-5 ώρες. Μετά από 1 ώρα ανακατεύετε τα υλικά μέσα στο σκεύος μαγειρέματος και επαναλαμβάνετε άλλη μία φορά κατά τη διάρκεια του μαγειρέματος.

μείγμα μήλων

Ένα κομμάτι ρίζας πιπερόριζας περίπου 1 εκ.
7.5 ml μείγματος καρυκευμάτων
700 g μήλα σε φέτες για μαγειρική (π.χ. Βσανμεστ)
100 g ξανθή σταφίδα
100 g ψιλοκομμένο κρεμμύδι
1 μεγάλη σκελίδα σκόρδο, ξεφλουδισμένη και θρυμματισμένη
150 g μαύρη ζάχαρη
150 ml κόκκινο ξύδι

Δέστε τη ρίζα της πιπερόριζας και το μείγμα μπαχαρικών σε ένα μικρό κομμάτι μουσελίνας. Τοποθετήστε όλα τα υλικά στο δοχείο μαγειρέματος και ανακατέψτε καλά. Τοποθετήστε το καπάκι στη θέση του και μαγειρέψτε στη Χαμηλή (Low) ρύθμιση για περίπου 8 ώρες. Μετά τις 8 ώρες, αφαιρέστε το καπάκι, ανακατέψτε τα υλικά και στη συνέχεια γυρίστε το διακόπτη στην Υψηλή (High) ρύθμιση και αφήστε το μείγμα να βράσει για άλλα 30 με 60 λεπτά ή μέχρι να έχετε πετύχει την πυκνότητα που θέλετε. Αφήστε να κρυώσει λίγο, τοποθετήστε το σε κρύα βάζα και καλύψτε τα αμέσως.

Παράγει περίπου 900 g

تجربہ لایا ہے۔
 ۱۔ ۲۔ ۳۔ ۴۔ ۵۔ ۶۔ ۷۔ ۸۔ ۹۔ ۱۰۔ ۱۱۔ ۱۲۔ ۱۳۔ ۱۴۔ ۱۵۔ ۱۶۔ ۱۷۔ ۱۸۔ ۱۹۔ ۲۰۔ ۲۱۔ ۲۲۔ ۲۳۔ ۲۴۔ ۲۵۔ ۲۶۔ ۲۷۔ ۲۸۔ ۲۹۔ ۳۰۔ ۳۱۔ ۳۲۔ ۳۳۔ ۳۴۔ ۳۵۔ ۳۶۔ ۳۷۔ ۳۸۔ ۳۹۔ ۴۰۔ ۴۱۔ ۴۲۔ ۴۳۔ ۴۴۔ ۴۵۔ ۴۶۔ ۴۷۔ ۴۸۔ ۴۹۔ ۵۰۔ ۵۱۔ ۵۲۔ ۵۳۔ ۵۴۔ ۵۵۔ ۵۶۔ ۵۷۔ ۵۸۔ ۵۹۔ ۶۰۔ ۶۱۔ ۶۲۔ ۶۳۔ ۶۴۔ ۶۵۔ ۶۶۔ ۶۷۔ ۶۸۔ ۶۹۔ ۷۰۔ ۷۱۔ ۷۲۔ ۷۳۔ ۷۴۔ ۷۵۔ ۷۶۔ ۷۷۔ ۷۸۔ ۷۹۔ ۸۰۔ ۸۱۔ ۸۲۔ ۸۳۔ ۸۴۔ ۸۵۔ ۸۶۔ ۸۷۔ ۸۸۔ ۸۹۔ ۹۰۔ ۹۱۔ ۹۲۔ ۹۳۔ ۹۴۔ ۹۵۔ ۹۶۔ ۹۷۔ ۹۸۔ ۹۹۔ ۱۰۰۔

- ۱۔ ۲۔ ۳۔ ۴۔ ۵۔ ۶۔ ۷۔ ۸۔ ۹۔ ۱۰۔ ۱۱۔ ۱۲۔ ۱۳۔ ۱۴۔ ۱۵۔ ۱۶۔ ۱۷۔ ۱۸۔ ۱۹۔ ۲۰۔ ۲۱۔ ۲۲۔ ۲۳۔ ۲۴۔ ۲۵۔ ۲۶۔ ۲۷۔ ۲۸۔ ۲۹۔ ۳۰۔ ۳۱۔ ۳۲۔ ۳۳۔ ۳۴۔ ۳۵۔ ۳۶۔ ۳۷۔ ۳۸۔ ۳۹۔ ۴۰۔ ۴۱۔ ۴۲۔ ۴۳۔ ۴۴۔ ۴۵۔ ۴۶۔ ۴۷۔ ۴۸۔ ۴۹۔ ۵۰۔ ۵۱۔ ۵۲۔ ۵۳۔ ۵۴۔ ۵۵۔ ۵۶۔ ۵۷۔ ۵۸۔ ۵۹۔ ۶۰۔ ۶۱۔ ۶۲۔ ۶۳۔ ۶۴۔ ۶۵۔ ۶۶۔ ۶۷۔ ۶۸۔ ۶۹۔ ۷۰۔ ۷۱۔ ۷۲۔ ۷۳۔ ۷۴۔ ۷۵۔ ۷۶۔ ۷۷۔ ۷۸۔ ۷۹۔ ۸۰۔ ۸۱۔ ۸۲۔ ۸۳۔ ۸۴۔ ۸۵۔ ۸۶۔ ۸۷۔ ۸۸۔ ۸۹۔ ۹۰۔ ۹۱۔ ۹۲۔ ۹۳۔ ۹۴۔ ۹۵۔ ۹۶۔ ۹۷۔ ۹۸۔ ۹۹۔ ۱۰۰۔

تجربہ نامہ

۱۔ ۲۔ ۳۔ ۴۔ ۵۔ ۶۔ ۷۔ ۸۔ ۹۔ ۱۰۔ ۱۱۔ ۱۲۔ ۱۳۔ ۱۴۔ ۱۵۔ ۱۶۔ ۱۷۔ ۱۸۔ ۱۹۔ ۲۰۔ ۲۱۔ ۲۲۔ ۲۳۔ ۲۴۔ ۲۵۔ ۲۶۔ ۲۷۔ ۲۸۔ ۲۹۔ ۳۰۔ ۳۱۔ ۳۲۔ ۳۳۔ ۳۴۔ ۳۵۔ ۳۶۔ ۳۷۔ ۳۸۔ ۳۹۔ ۴۰۔ ۴۱۔ ۴۲۔ ۴۳۔ ۴۴۔ ۴۵۔ ۴۶۔ ۴۷۔ ۴۸۔ ۴۹۔ ۵۰۔ ۵۱۔ ۵۲۔ ۵۳۔ ۵۴۔ ۵۵۔ ۵۶۔ ۵۷۔ ۵۸۔ ۵۹۔ ۶۰۔ ۶۱۔ ۶۲۔ ۶۳۔ ۶۴۔ ۶۵۔ ۶۶۔ ۶۷۔ ۶۸۔ ۶۹۔ ۷۰۔ ۷۱۔ ۷۲۔ ۷۳۔ ۷۴۔ ۷۵۔ ۷۶۔ ۷۷۔ ۷۸۔ ۷۹۔ ۸۰۔ ۸۱۔ ۸۲۔ ۸۳۔ ۸۴۔ ۸۵۔ ۸۶۔ ۸۷۔ ۸۸۔ ۸۹۔ ۹۰۔ ۹۱۔ ۹۲۔ ۹۳۔ ۹۴۔ ۹۵۔ ۹۶۔ ۹۷۔ ۹۸۔ ۹۹۔ ۱۰۰۔

تجربہ نامہ

۱۔ ۲۔ ۳۔ ۴۔ ۵۔ ۶۔ ۷۔ ۸۔ ۹۔ ۱۰۔ ۱۱۔ ۱۲۔ ۱۳۔ ۱۴۔ ۱۵۔ ۱۶۔ ۱۷۔ ۱۸۔ ۱۹۔ ۲۰۔ ۲۱۔ ۲۲۔ ۲۳۔ ۲۴۔ ۲۵۔ ۲۶۔ ۲۷۔ ۲۸۔ ۲۹۔ ۳۰۔ ۳۱۔ ۳۲۔ ۳۳۔ ۳۴۔ ۳۵۔ ۳۶۔ ۳۷۔ ۳۸۔ ۳۹۔ ۴۰۔ ۴۱۔ ۴۲۔ ۴۳۔ ۴۴۔ ۴۵۔ ۴۶۔ ۴۷۔ ۴۸۔ ۴۹۔ ۵۰۔ ۵۱۔ ۵۲۔ ۵۳۔ ۵۴۔ ۵۵۔ ۵۶۔ ۵۷۔ ۵۸۔ ۵۹۔ ۶۰۔ ۶۱۔ ۶۲۔ ۶۳۔ ۶۴۔ ۶۵۔ ۶۶۔ ۶۷۔ ۶۸۔ ۶۹۔ ۷۰۔ ۷۱۔ ۷۲۔ ۷۳۔ ۷۴۔ ۷۵۔ ۷۶۔ ۷۷۔ ۷۸۔ ۷۹۔ ۸۰۔ ۸۱۔ ۸۲۔ ۸۳۔ ۸۴۔ ۸۵۔ ۸۶۔ ۸۷۔ ۸۸۔ ۸۹۔ ۹۰۔ ۹۱۔ ۹۲۔ ۹۳۔ ۹۴۔ ۹۵۔ ۹۶۔ ۹۷۔ ۹۸۔ ۹۹۔ ۱۰۰۔

Free Manuals Download Website

<http://myh66.com>

<http://usermanuals.us>

<http://www.somanuals.com>

<http://www.4manuals.cc>

<http://www.manual-lib.com>

<http://www.404manual.com>

<http://www.luxmanual.com>

<http://aubethermostatmanual.com>

Golf course search by state

<http://golfingnear.com>

Email search by domain

<http://emailbydomain.com>

Auto manuals search

<http://auto.somanuals.com>

TV manuals search

<http://tv.somanuals.com>