

# KENWOOD

## KAC-X812D

SUBWOOFER POWER AMPLIFIER ▶ page 2-9

### INSTRUCTION MANUAL

AMPLIFICATEUR DE PUISSANCE DU SUBWOOFER ▶ page 10-17

### MODE D'EMPLOI

AMPLIFICADOR DE POTENCIA DEL ALTAVOZ DE SONIDO ENVOLVENTE ▶ página 18-25

### MANUAL DE INSTRUCCIONES

Kenwood Corporation

**Take the time to read through this instruction manual. Familiarity with installation and operation procedures will help you obtain the best performance from your new power amplifier.**

#### **For your records**

Record the serial number, found on the back of the unit, in the spaces designated on the warranty card, and in the space provided below. Refer to the model and serial numbers whenever you call upon your Kenwood dealer for information or service on the product.

Model KAC-X812D Serial number \_\_\_\_\_

#### ***US Residence Only***

**Register Online**

Register your Kenwood product at  
**[www.kenwoodusa.com](http://www.kenwoodusa.com)**

© B64-3393-00/00 (KV)

# Safety precautions

## ▲ WARNING

### To prevent injury or fire, take the following precautions:

- When extending the ignition, battery, or ground wires, make sure to use automotive-grade wires or other wires with a 8 mm<sup>2</sup> (AWG 8) or more to prevent wire deterioration and damage to the wire coating.
- To prevent a short circuit, never put or leave any metallic objects (such as coins or metal tools) inside the unit.
- If the unit starts to emit smoke or strange smells, turn off the power immediately and consult your Kenwood dealer.
- Do not touch the unit during use because the surface of the unit becomes hot and may cause burns if touched.

## FCC WARNING

This equipment may generate or use radio frequency energy. Changes or modifications to this equipment may cause harmful interference unless the modifications are expressly approved in the instruction manual. The user could lose the authority to operate this equipment if an unauthorized change or modification is made.

## ▲ CAUTION

### To prevent damage to the machine, take the following precautions:

- Be sure the unit is connected to a 12V DC power supply with a negative ground connection.
- Do not open the top or bottom covers of the unit.
- Do not install the unit in a spot exposed to direct sunlight or excessive heat or humidity. Also avoid places with too much dust or the possibility of water splashing.
- When replacing a fuse, only use a new one with the prescribed rating. Using a fuse with the wrong rating may cause your unit to malfunction.
- To prevent a short circuit when replacing a fuse, first disconnect the wiring harness.

### Available Control Units:

A Kenwood's LX-Bus supporting Center Unit released in 2004 or later can control this unit. The operations of the (LX) AMP Control are explained in the Operation Manual of the Center Unit.

#### NOTE

- The LX AMP and the sensor unit cannot be connected simultaneously. You must connect any of them at a time.

## NOTE

- If you experience problems during installation, consult your Kenwood dealer.
- If the unit does not seem to be working right, consult your Kenwood dealer.

#### NOTE

This Class B digital apparatus complies with Canadian ICES-003.

## Cleaning the unit

If the front panel gets dirty, turn off the power and wipe the panel with a dry silicon cloth or soft cloth.

#### ▲ CAUTION

Do not wipe the panel with a hard cloth or a cloth dampened by volatile solvents such as paint thinner and alcohol. They can scratch the surface of the panel and/or cause the indicator letters to peel off.

## To prevent battery rise

When the unit is used in the ACC ON position without turning the engine ON, it depletes the battery. Use it after starting the engine.

## Protection function

There is a Protection function installed in the unit to protect the unit and speakers from various problems. When Protection operates, the display informs you of the condition.

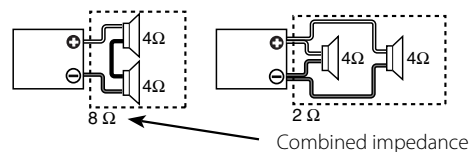
Display	Informations
"E-01"	When the inside of the unit is overheating.
"E-02"	When the unit has failed and direct current voltage is generated to the speaker's output. <b>NOTE</b> Turn the power OFF and release the protection. If the "E-02" code does not disappear, contact your Kenwood dealer.
"E-03"	When the speaker cord is shorted. When the speaker output is in contact with the vehicle ground.
"VOLT" display is blinked.	When voltage gets out of operation range.

## Wiring

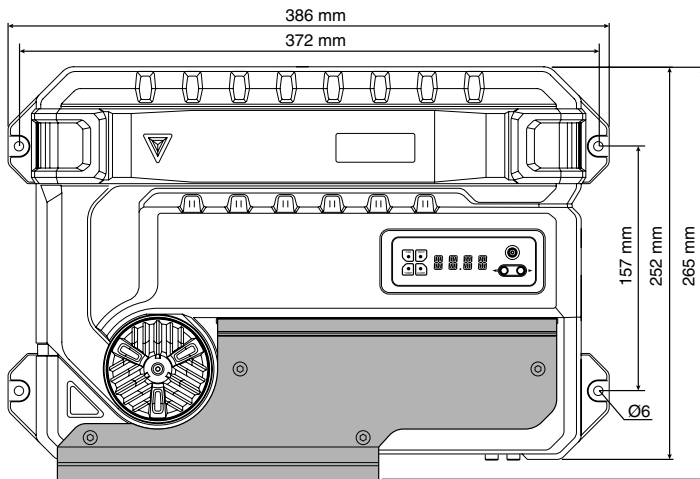
- Take the battery wire for this unit directly from the battery. If it's connected to the vehicle's wiring harness, it can cause blown fuses etc.
- If a buzzing noise is heard from the speakers when the engine is running, connect a line noise filter (optional) to each of the battery wire.
- Do not allow the wire to directly contact the edge of the iron plate by using Grommets.
- Connect the ground wire to a metal part of the car chassis that acts as an electrical ground passing electricity to the battery's negative (⊖) terminal. Do not turn the power on if the ground wire is not connected.
- Be sure to install a protective fuse in the power cord near the battery. The protective fuse should be the same capacity as the unit's fuse capacity or somewhat larger.
- For the power cord and ground, use a vehicle type (fireproof) power wiring cord with a current capacity greater than the unit's fuse capacity. (Use a power wiring cord with a diameter of 8 mm<sup>2</sup> (AWG 8) or greater.)
- When more than one power amplifier are going to be used, use a power supply wiring wire and protective fuse of greater current-handling capacity than the total maximum current drawn by each amplifier.

## Speaker selection

- The rated input power of the speakers that are going to be connected should be greater than the maximum output power (in Watts) of the amplifier. Use of speakers having input power ratings that are less than the output power of the amplifier will cause smoke to be emitted as well as damage.
- Use speakers that have an impedance of 1Ω or greater. When more than one set of speakers are going to be used, calculate the combined impedance of the speakers and then connect suitable speakers to the amplifier.



# Installation



## Accessories

Part name	External View	Number of Items
Self-tapping screws (ø5 × 18 mm)		4
Hexagon socket head cap screw (M4 × 8 mm)		4
Cover		1
Terminal cover (Power terminal)		1
Hexagon Wrench		1

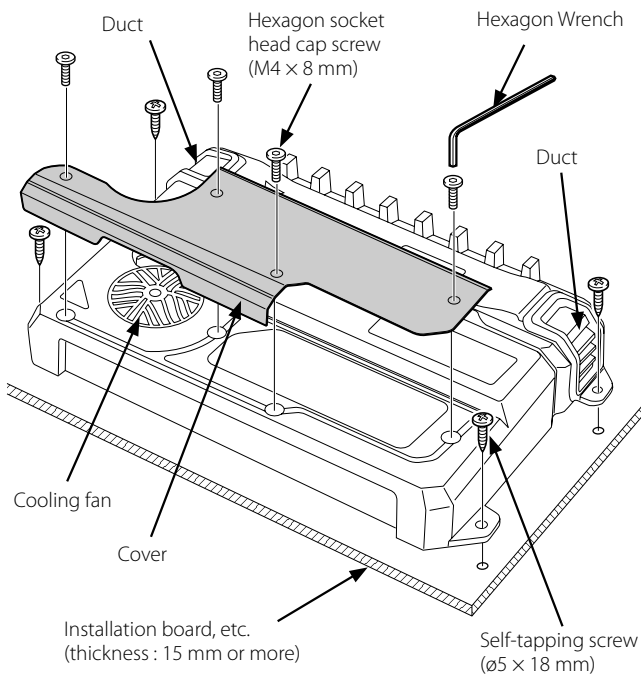
## Installation procedure

Since there are large variety of settings and connections possible according to applications, read the instruction manual well to select the proper setting and connection.

1. Remove the ignition key and disconnect the negative ⊖ terminal of the battery to prevent short circuits.
2. Set the unit according to the intended usage.
3. Connect the input and output wires of the units.
4. Connect the speaker wires.
5. Connect the power wire, power control wire and grounding wire following this order.
6. Install the installation fittings in the unit.
7. Attach the unit.
8. Install the terminal cover.
9. Connect the negative ⊖ terminal of the battery.

### ⚠ CAUTION

- Do not install in the below locations; (Unstable location, In a location that interferes with driving, In a location that gets wet, In a dusty location, In a place that gets hot, In a place that gets direct sunlight, In a location that gets hit by hot air)
- Do not install the unit under the carpet. Otherwise heat build-up occurs and the unit may be damaged.
- Install this unit in a location which allows heat to easily dissipate. Once installed, do not place any object on top of the unit.
- The surface temperature of the amplifier will become hot during use. Install the amplifier in a place where people, resins, and other substances that are sensitive to heat will not come into contact with it.
- This unit has cooling fan to decrease the internal temperature. Do not mount the unit in a place where the cooling fan and ducts of the unit are blocked. Blocking these openings will inhibit the cooling of the internal temperature and result in malfunction.
- When making a hole under a seat, inside the trunk, or somewhere else in the vehicle, check that there is nothing hazardous on the opposite side such as a gasoline tank, brake pipe, or wiring harness, and be careful not to cause scratches or other damage.
- Do not install near the dashboard, rear tray, or air bag safety parts.
- The installation to the vehicle should securely fasten the unit to a place in which it will not obstruct driving. If the unit comes off due to a shock and hits a person or safety part, it may cause injury or an accident.
- After installing the unit, check to make sure that electrical equipment such as the brake lamps, turn signal lamps and windshield wipers operate normally.

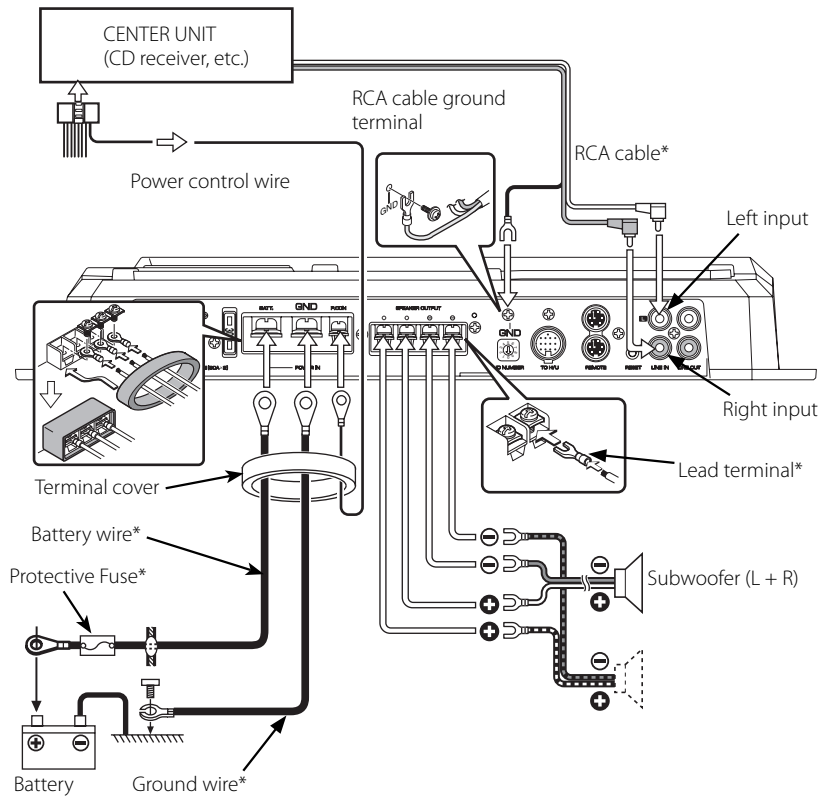


**▲ WARNING**

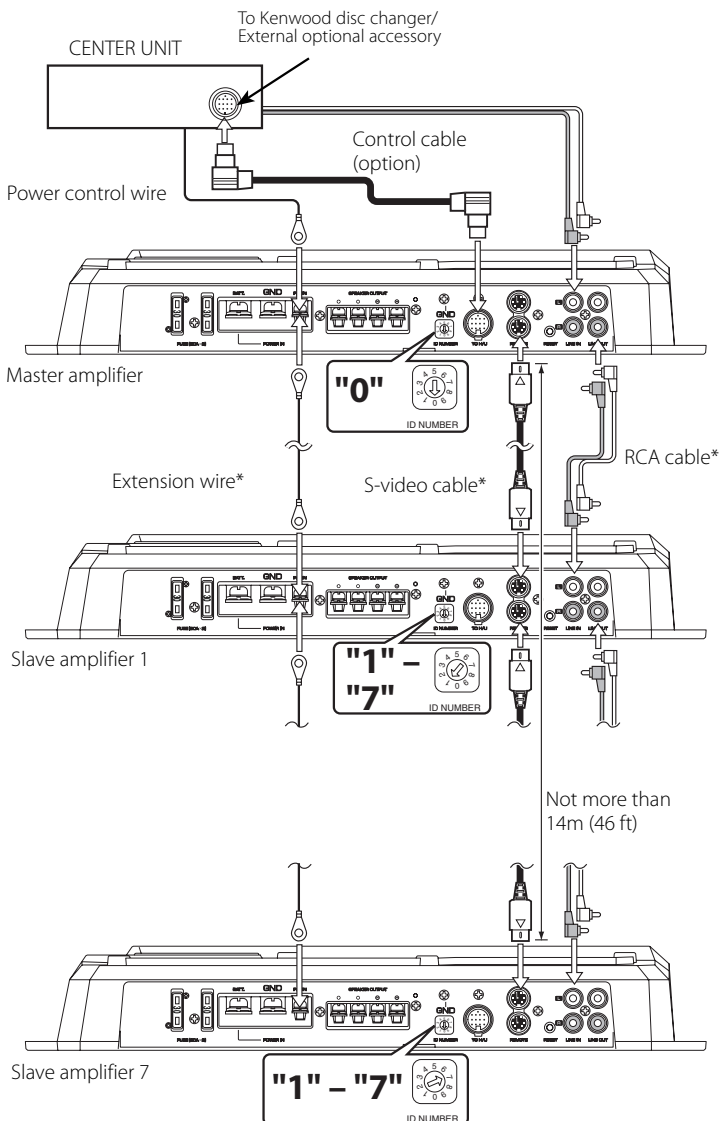
To prevent fire caused by a short in the wiring, connect a fusible link or breaker nearby the battery's positive terminal.

**▲ CAUTION**

- If sound is not output normally, immediately turn power off and check connections.
- Be sure to turn the power off before changing the setting of any switch.
- If the fuse blows, check wires for shorts, then replace the fuse with one of the same rating.
- Check that no unconnected wires or connectors are touching the car body. Do not remove caps from unconnected wires or connectors to prevent short circuits.
- Connect the speaker wires to appropriate speaker connectors separately. Sharing the negative wire of the speaker or grounding speaker wires to the metal body of the car can cause this unit to fail.
- After installation, check that the brake lamps, wipers, and wipers work properly.



**■ LX-Bus connection**



Set the ID number of the Master amplifier to "0".

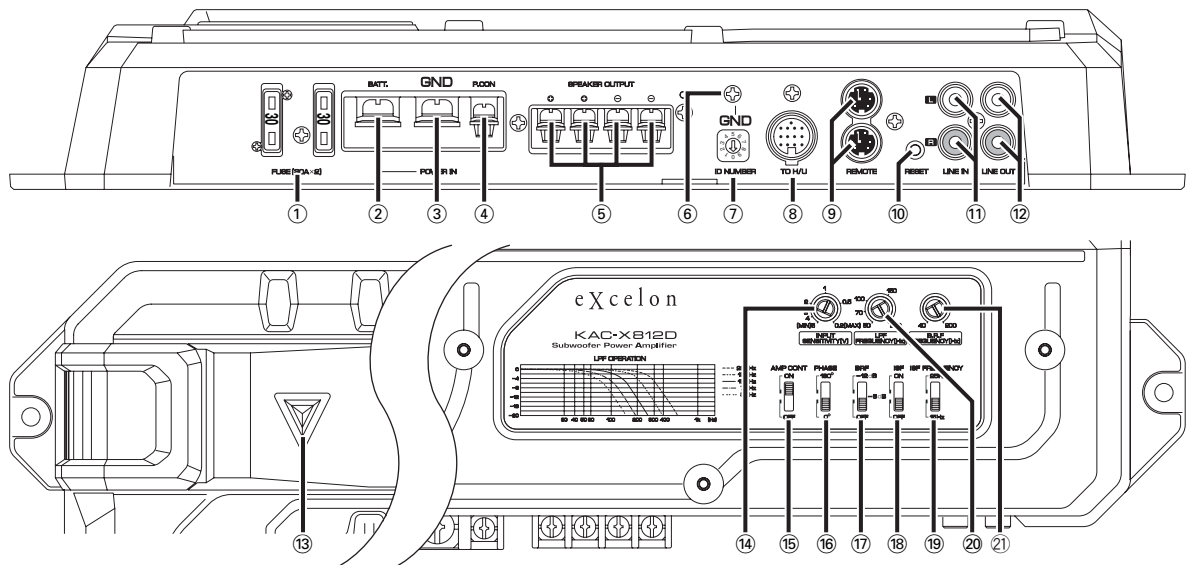
You can connect up to 7 Slave amplifiers. Assign them ID numbers "1" to "7" and do not duplicate them.

**▲ CAUTION**

- Do not connect 2 Master amplifiers to the Center Unit. If done, you cannot control all amplifiers connected to the Center Unit.
- The LX AMP and the sensor unit cannot be connected simultaneously. You must connect any of them at a time.

**NOTE**

- The total length of S-video cables you can connect is 14 meters (46 ft) maximum. If the cable length exceeds this limit, you cannot control amps from the Center Unit.
- If you assign the same ID number to multiple amplifiers, they malfunction when you operate any of them from the Center Unit.
- If you assign ID number "8" or "9" to a Slave amplifier, it is not recognized by the Center Unit.



① **Fuse (30 A × 2)**

② **Battery terminal**

③ **Ground terminal**

④ **Power control terminal**

Controls the unit ON/OFF.

**NOTE**

Controls the unit power. Be sure to connect it with all the systems.

⑤ **Speaker output terminals**

As this unit accepts speakers with a minimum impedance of 1 ohm, connect speakers with 1-ohm or higher impedance to these terminals.

**▲ CAUTION**

The rated input of the speakers should be no less than the maximum output of the amplifier. Otherwise malfunction may result.

⑥ **RCA cable ground lead terminal**

When using an RCA cable with a ground lead attached, connect the ground lead to this terminal.

⑦ **ID NUMBER switch**

Sets an amp identification number (ID) to be used for amplifier control from the Center Unit. Assign ID Number "0" to an amplifier when you use it as the Master amplifier. Assign ID Numbers "1" to "7" to amplifiers when you use them as Slave amplifiers. Do not duplicate these numbers.

**NOTE**

After you have changed ID numbers of amplifiers, turn Off the POWER switch of the Center Unit and turn it On again.

⑧ **TO H/U terminal**

After you have set the Master amplifier, connect it to the Center Unit.

⑨ **REMOTE terminals**

Used to connect to Slave amplifiers.

⑩ **RESET button**

Resets the microprocessor of the unit.

**NOTE**

The values you have set with the Amplifier Control are NOT reset.

⑪ **LINE IN terminal**

⑫ **LINE OUT terminal**

The signal that's input from the line input terminal is output.

⑬ **Power indicator**

Lights when the POWER switch is turned On.

The indicator flashes several seconds when the POWER switch is turned On or when the Protection function is activated.

⑭ **INPUT SENSITIVITY control**

Set this control according to the pre-output level of the center unit connected with this unit.

**NOTE**

For the pre-output level, refer to the <Specifications> in the instruction manual of the center unit.

⑮ **AMP CONT (amplifier control) switch**

Used to bypass the circuit when you do not control the sound with the Amplifier Control.

• **ON position:**

Allows you to control the sound with the Amplifier Control.

• **OFF position:**

Bypasses the Amplifier Control circuit.

**NOTE**

Amplifier control is possible even while OFF.

⑯ **PHASE switch**

When this switch is set "180°" (Reverse) the speaker output phase is reversed.

⑰ **BRF (band reject filter) switch**

When this switch is set to "-6dB"/"-12dB", frequencies in the band set with the "B.R.F. FREQUENCY" control are rejected and eliminated. The band rejection allows to reduce resonance inside the vehicle compartment and standing waves. (page 8)

⑱ **ISF (infrasonic filter) switch**

When this switch is set to "ON", the inaudible, ultralow frequencies below the frequency set with the "ISF FREQUENCY" switch are cut off. This improves the reproduction performance of the speakers by eliminating unnecessary oscillations which will not become sound.

⑲ **ISF FREQUENCY switch**

Switches the cutoff frequency when the "ISF" switch is set to "ON".

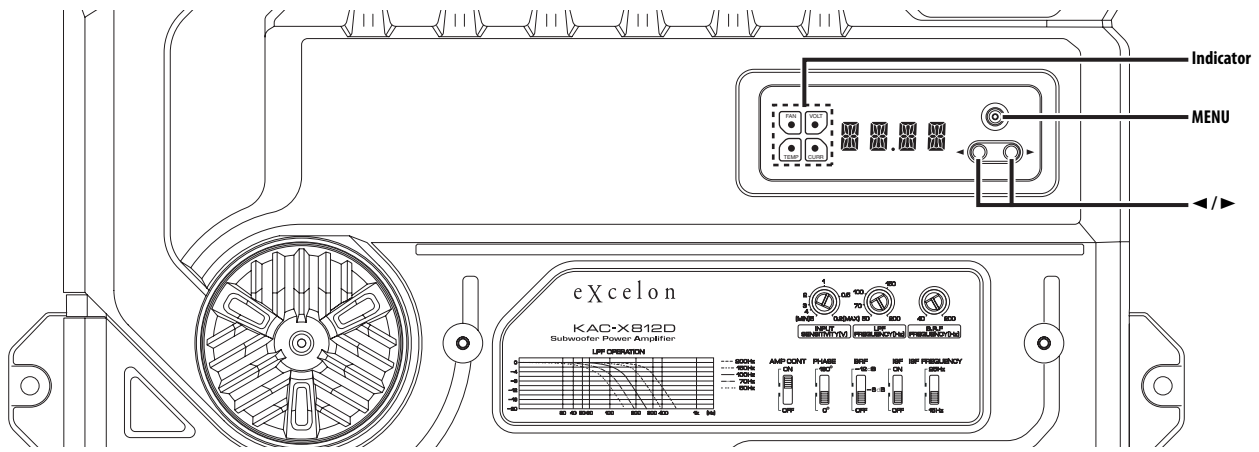
⑳ **LPF (Low-Pass Filter) FREQUENCY control**

This control adjusts the frequency band output from this unit.

㉑ **B.R.F. FREQUENCY control**

Sets the rejection frequency when the "BRF" switch is set to "-6dB"/"-12dB". (page 8)

# Amplifier Control System



## Display mode

You can set up the display items as follows:

### 1 Enter Menu mode

Press the [MENU] button.

"VOLT"/"CURR"/"TEMP"/"FAN" is displayed.

### 2 Select a display item

Press the [◀] or [▶] button.

The display items are switched in the following sequence.

Display	Information
"VOLT"	Indicates the source voltage (V).
"CURR"	Indicates the current consumption (A).
"TEMP"	Indicates the internal temperature (°F/°C).
"FAN"	Indicates the rotation speed of the cooling fan in 3 steps: "FAST", "SLOW" or "OFF".

### 3 Exit Menu mode

Press the [MENU] button for at least 1 second.

#### NOTE

When the internal temperature is -22°F/-30°C or less, "-22°F"/"-30°C" is displayed.

## Separate Amp Control

You can control sounds using the Amplifier Control function of the unit.

### 1 Enter Menu mode

Press the [MENU] button.

### 2 Select the Menu item

Press the [MENU] button.

The setup items are displayed approximately 1 second first, then the set values are displayed.

### 3 Adjust the Menu item

Press the [◀] or [▶] button.

The setup items and set values are switched as follows.

Display	Range	Adjustment Item
"VOLT"/"CURR"/"TEMP"/"FAN"		For the operation method refer to <Display mode>
"BASS"	60/80/100/200 (Hz)	Bass Center Frequency
"BA G"	B-15 — B+15 (dB)	Bass level
"BA Q"	Q1.00/Q1.25/Q1.50/Q2.00	Bass Q Factor
"EXT"	ON/OFF	When the bass extend is set to ON, low frequency response is extended by 20%.
"VOL"	-20 — 0 (dB)	Volume offset
"TEMP"	FAHR (Fahrenheit) or CELS (Centigrade)	The Fahrenheit or Centigrade temperature unit can be selected for the Display mode.
"DEFA"		For the operation method refer to <Default>
"AMP"	0 — 7	The ID Number you have assigned is displayed.

### 4 Exit Menu mode

Press the [MENU] button for at least 1 second.

#### NOTE

When you hold down the [▶] button 3 or more seconds during ID number display ("AMP"), message "MEMO" is displayed and you can register the values you have set with the Amplifier Control. To call the Amplifier Control's values, hold down the [◀] button 3 or more seconds during ID number display ("AMP"). Then, you can recall the value when message "LOAD" is displayed.

## Default

Resets all values you have set to the initial (default) values.

### 1 Enter Menu mode

Press the [MENU] button.

### 2 Select Default mode

Press the [MENU] button.

Select the "DEFA" display.

### 3 Resets the value to its default

Press the [▶] button for at least 2 seconds.

Message "----" is displayed, and the value is initialized.

### 4 Exit Menu mode

Press the [MENU] button for at least 1 second.

#### NOTE

Volume offset value can not be initialized.

## Display Demonstration

The "VOLT"/"CURR"/"TEMP"/"FAN" items are displayed repeatedly.

Press the [MENU] button for at least 2 seconds.

The indicator flashes in the Demonstration mode.

### Canceling the Demonstration mode

Press any button to cancel the Demonstration mode.

## Control an Amp from Center Unit

You can control the sound by controlling amplifiers from the Center Unit.

### 1 Enter AMP Control mode

Select the AMP Control mode by following the <AMP Control> procedure given on the Operation Manual of the Center Unit.

#### NOTE

Use the set item and value operation buttons by following the instructions given on the Operation Manual of the Center Unit.

### 2 Select an amp number to operate

Operate the desired set item with the Center Unit.

Select the "AMP NO"/"AMP CONTROL NO" display.

#### NOTE

When the Center Unit is in the STANDBY mode, message "AMP OFF" is displayed and you cannot operate the set items.

### 3 Set an ID number of Amp to operate

Set an amp's ID number on the Center Unit.

You can select an ID number of "0" to "7" of connected amps.

### 4 Select the AMP Control item for adjustment

Select the desired set item on the Center Unit.

### 5 Adjust the AMP Control item

You can set a value of each item on the Center Unit.

The set items and their values are switched and displayed as follows.

Display	Range	Adjustment Item
"VOLT"/"CURR"/"TEMP"/"FAN"		The amp state is displayed.
"VOLT"		Indicates the source voltage (V).
"CURR"		Indicates the current consumption (A).
"TEMP"		Indicates the internal temperature (°F/°C).
"FAN"		Indicates the rotation speed of the cooling fan in 3 steps: "FAST", "SLOW" or "OFF".
"BAS F"/"BASS FREQ"	60/80/100/200 (Hz)	Bass Center Frequency
"BAS G"/"BASS GAIN"	-15 — +15 (dB)	Bass level
"Q FA"/"Q FACTOR"	Q1.00/Q1.25/Q1.50/Q2.00	Bass Q Factor
"EXT"/"BASS EXT"	ON/OFF	When the bass extend is set to ON, low frequency response is extended by 20%.
"VOL"/"VOL OFFSET"	-20 — 0 (dB)	Volume offset
"AMP NO"/ "AMP CONTROL NO"	0 — 7	Select an ID number of the amp you use.

### 6 Exit AMP Control mode

Releases the AMP Control mode by the Center Unit.

#### NOTE

When you have controlled the bass or treble of the sound using the Equalizer or DSP function of the Center Unit, and when you amplify the same frequency as that controlled by the Amplifier Control, the sound may be distorted due to an input overflow.

## Messages that may be displayed on the Center Unit

When you are selecting an item with the Amp Control, an error status of the amplifier is displayed on the Center Unit.

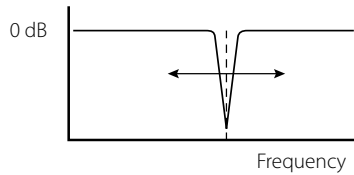
Display	Informations
"AMP × E-01"/"AMP × COND E-01"	When the inside of the unit is overheating.
"AMP × E-02"/"AMP × COND E-02"	When the unit has failed and direct current voltage is generated to the speaker's output.
"AMP × E-03"/"AMP × COND E-03"	When the speaker cord is shorted.
"AMP OFF"	When the speaker output is in contact with the vehicle ground.
	When you use the Amp Control in the Standby mode.

#### NOTE

Number "×" on the display indicates the amp's ID number.

# Band Reject Filter

The acoustic properties of vehicle compartment tend to cause oscillation due to resonance or unclearness of sound due to standing waves at certain frequencies. The band reject filter can solve the problems of resonance or unclear sound with minimum influence on the sound quality because it eliminates only the frequencies causing resonance or standing waves.



## ■ Adjustment method:

The band reject filter cuts only the limited frequencies to minimize influence on the sound quality. Therefore, its effect cannot be obtained unless the cutoff frequencies are set accurately to the frequencies causing resonance and standing waves. The band reject filter can be adjusted according to what you feel through your ears, but we recommend the use of a signal generator or a spectrum analyzer with a fine frequency measurement capability for the adjustment.

### • Adjustment using a signal generator:

Output a sine wave, vary its frequency to find the frequencies at which the vehicle compartment resonates or volume increases (standing waves occur), and set the "B.R.F. FREQUENCY" control to the position with which the resonance and standing waves disappear.

### • Adjustment using a spectrum analyzer:

Output white noise (sound in which all frequencies are at a certain level), find the peak frequency observed on the spectrum analyzer, and set the "B.R.F. FREQUENCY" control to the position with which the peak observed on the spectrum analyzer disappears.

# Troubleshooting Guide

What might appear to be a malfunction in your unit may just be the result of slight misoperation or miswiring. Before calling service, first check the following table for possible problems.

PROBLEM	POSSIBLE CAUSE	SOLUTION
<b>No sound. (Blown fuse.)</b>	<ul style="list-style-type: none"> <li>• Input (or output) cables are disconnected.</li> <li>• Protection circuit may be activated.</li> <li>• Volume is too high.</li> <li>• The speaker cord is shorted.</li> </ul>	<ul style="list-style-type: none"> <li>• Connect the input (or output) cables.</li> <li>• Check connections by referring to &lt;Protection function&gt;.</li> <li>• Replace the fuse and use lower volume.</li> <li>• After check the speaker cord and fixing the cause of the short, replace the fuse.</li> </ul>
<b>The output level is too small (or too large).</b>	<ul style="list-style-type: none"> <li>• The input sensitivity adjusting control is not set to the correct position.</li> </ul>	<ul style="list-style-type: none"> <li>• Adjust the control correctly referring to &lt;Controls&gt;.</li> </ul>
<b>The sound quality is bad. (The sound is distorted.)</b>	<ul style="list-style-type: none"> <li>• The speakers wire are connected with wrong ⊕ / ⊖ polarity.</li> <li>• A speaker wire is pinched by a screw in the car body.</li> <li>• The switches may be set improperly.</li> </ul>	<ul style="list-style-type: none"> <li>• Connect them properly checking the ⊕ / ⊖ of the terminals and wires well.</li> <li>• Connect the speaker wire again so that it is not pinched by anything.</li> <li>• Set switches properly by referring to &lt;Controls&gt;.</li> </ul>
<b>The sound does not change even when you have changed it with the Amplifier Control.</b>	<ul style="list-style-type: none"> <li>• The AMP CONT has been turned "OFF".</li> </ul>	<ul style="list-style-type: none"> <li>• Turn the AMP CONT "ON".</li> </ul>
<b>The set value cannot be changed by the Amplifier Control of the unit.</b>	<ul style="list-style-type: none"> <li>• The AMP Control of the Center Unit is being used.</li> </ul>	<ul style="list-style-type: none"> <li>• Release the AMP Control mode of the Center Unit.</li> </ul>
<b>The Amplifier Control cannot be operated from the Center Unit.</b>	<ul style="list-style-type: none"> <li>• An incorrect ID number is used for the Master amplifier.</li> <li>• The ID number of the amplifier has been changed.</li> </ul>	<ul style="list-style-type: none"> <li>• Always set the ID number of the Master amplifier to "0".</li> <li>• After you have changed the ID number of an amplifier, turn Off the POWER switch of the Center Unit first, then turn it On again.</li> </ul>



# Specifications

Specifications subject to change without notice.

## Audio Section

Max Power Output.....	1600 W
Rated Power Output (+B = 12.0 V)	
(4 $\Omega$ ) (20 Hz – 200 Hz, 0.5 % THD).....	300 W $\times$ 1
(2 $\Omega$ ) (100 Hz, 0.5 % THD).....	600 W $\times$ 1
Rated Power Output (+B = 14.4 V)	
(4 $\Omega$ ) (20 Hz – 200 Hz, 0.5 % THD).....	400 W $\times$ 1
(2 $\Omega$ ) (100 Hz, 0.5 % THD).....	800 W $\times$ 1
(1 $\Omega$ ) (100 Hz, 1.0 % THD).....	1000 W $\times$ 1
Low Pass Filter Frequency (24 dB/oct.).....	50 – 200 Hz (variable)
Infrasonic Filter Frequency (24 dB/oct.).....	OFF / 15 / 25 Hz
Phase Inverter.....	0° (Normal) / 180° (Reverse)
Band Reject Filter Frequency.....	40 – 200 Hz (variable)
Frequency Response (+ 0 , – 3 dB).....	5 Hz – 200 Hz
Signal to Noise Ratio.....	100 dB
Sensitivity (rated output) (MAX.).....	0.2 V
(MIN.).....	5.0 V
Input Impedance.....	10 k $\Omega$

## Amplifier Control Section (EQ)

Bass frequency.....	60 / 80 / 100 / 200 Hz
Bass level.....	-15 — +15 dB
Bass Q factor.....	1.00 / 1.25 / 1.50 / 2.00

## General

Operating Voltage.....	14.4 V (11 – 16 V allowable)
Current Consumption (+B = 12.0 V, 100 Hz, 10 % THD, 4 $\Omega$ ).....	55 A
Dimensions (W $\times$ H $\times$ D).....	386 $\times$ 61 $\times$ 259.5 mm
Installation Size (W $\times$ H $\times$ D).....	15-3/16 $\times$ 2-3/8 $\times$ 10-3/16 inch
Weight.....	386 $\times$ 61 $\times$ 265 mm
	15-3/16 $\times$ 2-3/8 $\times$ 10-3/8 inch
	4.07 kg (8.97 lbs)

## CEA-2006

RMS Power Output (+B = 14.4 V)	
(4 $\Omega$ / 1 ch) (1.0 % THD+N).....	533 W
(2 $\Omega$ / 1 ch) (1.0 % THD+N).....	919 W
(1 $\Omega$ / 1 ch) (1.0 % THD+N).....	1016 W
Dynamic Power (+B = 14.4 V).....	566 W
Output Regulation (+B = 14.4 V).....	under 0.2 dB (4 $\Omega$ )
Signal to Noise Ratio.....	74 dBA (W/4 $\Omega$ )
(Bypass).....	74 dBA (W/4 $\Omega$ )



# Précautions de sécurité

## ▲ AVERTISSEMENT

### Pour éviter toute blessure et/ou incendie, veuillez prendre les précautions suivantes:

- Si vous prolongez un câble de batterie ou de masse, assurez vous d'utiliser un câble pour automobile ou un câble avec une section de 8 mm<sup>2</sup> (AWG8) afin d'éviter tous risques de détérioration ou d'endommagement du revêtement des câbles.
- Pour éviter les court-circuits, ne jamais mettre ou laisser d'objets métalliques (comme une pièce de monnaie ou un outil en métal) à l'intérieur de l'appareil.
- Si l'appareil commence à émettre de la fumée ou une odeur bizarre, mettez immédiatement l'appareil hors tension et consultez un revendeur Kenwood.
- Ne pas toucher l'appareil quand il est en service car la température de sa surface est suffisamment élevée pour provoquer des brûlures.

## ▲ ATTENTION

### Pour éviter tout dommage à l'appareil, veuillez prendre les précautions suivantes:

- Bien vérifier que l'appareil est raccordé à une source d'alimentation CC de 12 V avec raccordement de masse négative.
- N'ouvrez pas le couvercle supérieur ou inférieur de l'appareil.
- N'installez pas l'appareil dans un endroit exposé directement à la lumière du soleil, à une chaleur excessive ou à l'humidité. Evitez aussi les endroits trop poussiéreux et où l'appareil risque d'être éclaboussé.
- Lors du remplacement d'un fusible, utilisez seulement un fusible neuf avec la valeur indiquée. L'utilisation d'un fusible d'une valeur différente peut être la cause d'un mauvais fonctionnement de votre appareil.
- Pour éviter les courts-circuits lors du remplacement d'un fusible, déconnectez d'abord le faisceau de câbles.

### Unités de commande disponibles :

Une unité centrale compatible Kenwood LX-Bus commercialisée en 2004 ou plus tard peut commander cette unité. Le fonctionnement de la commande (LX) AMP est expliqué dans le mode d'emploi de l'unité centrale.

#### REMARQUE

- Le LX AMP et l'unité capteur ne peuvent être connectés simultanément. Vous ne devez en connecter qu'un à la fois.

## REMARQUE

- Si vous rencontrez des problèmes pendant l'installation, consultez votre revendeur Kenwood.
- Si l'appareil semble ne pas fonctionner correctement, consultez votre revendeur Kenwood.

#### REMARQUE

Cet appareil numérique de la classe B est conforme à la norme NMB-003 du Canada.

## Nettoyage de l'appareil

Si la surface de l'appareil sale, l'essuyer avec un chiffon au silicone ou un chiffon doux et sec après avoir éteint l'appareil.

#### ATTENTION

N'essayez pas le panneau avec un tissu rugueux ou imprégné de dissolvant volatil comme un diluant à peinture ou de l'alcool. Il pourrait rayer la surface du panneau et/ou écailler les lettres d'informations.

## Comment éviter une élévation de la batterie

Lorsque l'unité est utilisée avec l'ACC sur ON, sans que le moteur ne soit allumé, cela décharge la batterie. Il est préférable de l'utiliser après avoir allumé le moteur.

## Fonction de protection

Une fonction de protection est installée dans l'unité afin de protéger l'unité et les enceintes de divers problèmes. Lorsque la protection fonctionne, l'affichage vous informe de l'état.

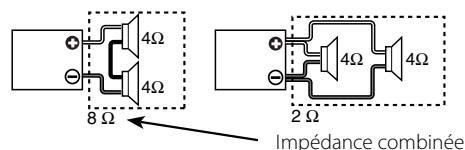
Affichage	Information
"E-01"	Lorsque l'intérieur de l'unité est en surchauffe. Lorsque l'unité est en panne et que l'intensité du courant continu est transmise à la sortie haut-parleur.
"E-02"	<b>REMARQUE</b> Eteindre l'appareil puis ôter la protection. Si le code "E-02" ne disparaît pas, consultez la station technique la plus proche.
"E-03"	Lorsque le cordon du haut-parleur est en court-circuit. Lorsque la sortie haut-parleur est en contact avec la terre du véhicule.
L'affichage "VOLT" clignote.	Lorsque la valeur de la tension est en dehors des limites de fonctionnement.

## Câblage

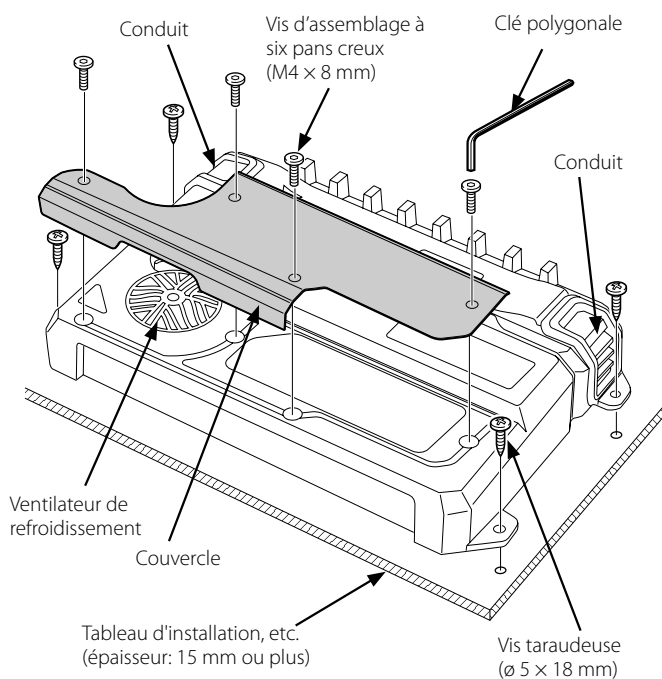
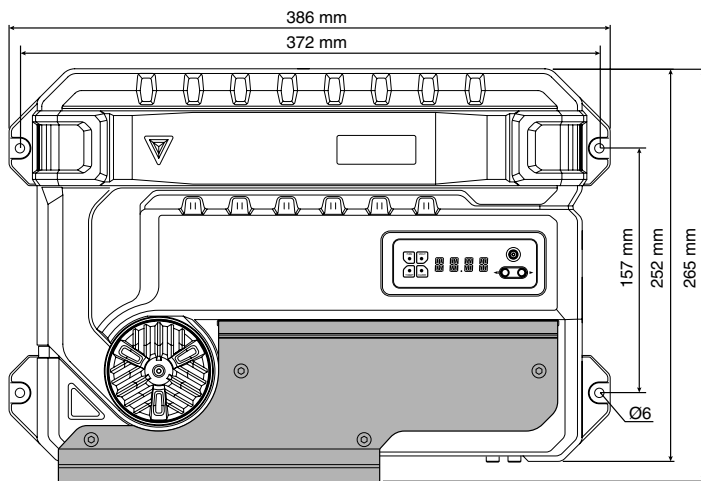
- Pour cette unité, brancher le cordon de la batterie directement à la batterie. Si celui-ci est connecté à l'installation électrique du véhicule, l'installation peut disjoncter etc.
- Si un ronronnement se fait entendre dans les haut-parleurs lorsque le moteur tourne, fixer un filtre antiparasite de ligne (en option) au câble de la batterie.
- Utiliser un passe-câble de manière que le cordon ne soit pas en contact avec le tablier.
- Relier les fils de masse à une partie métallique du châssis du véhicule qui soit en mesure de jouer le rôle de masse électrique et donc de laisser passer le courant vers le pôle négatif ⊖ de la batterie. Ne pas mettre l'appareil sous tension si les fils de masse ne sont pas reliés.
- Assurez-vous de mettre en place un fusible protégeant le cordon d'alimentation situé près de la batterie. Ce fusible doit avoir un pouvoir de coupure égal ou légèrement supérieur à celui de l'unité.
- En ce qui concerne le cordon d'alimentation et la terre, il est conseillé d'utiliser un cordon d'alimentation électrique pour voiture (inflammable) dont l'intensité sera supérieure au pouvoir de coupure du fusible de l'unité. (Utiliser un cordon d'alimentation d'un diamètre égal ou supérieur à 8 mm<sup>2</sup> (AWG 8).)
- Lorsque plus d'un amplificateur de puissance doivent être utilisés, utiliser un câble de câblage d'alimentation et un fusible de sécurité dont la limite de tension est supérieure au courant total maximum tiré par chaque amplificateur.

## Sélection des haut-parleur

- La puissance d'entrée nominale des haut-parleur qui vont être connectées doit être supérieure à la puissance de sortie maximum (en Watts) de l'amplificateur. L'utilisation d'un haut-parleur dont la puissance d'entrée nominale est inférieure à la puissance de sortie de l'amplificateur entraînera l'émission de fumée, ainsi que des dommages.
- Utiliser des haut-parleur dont l'impédance est de minimum 1Ω. Lorsque plus d'un jeu d'high-parleur va être utilisé, calculer l'impédance combinée des haut-parleur et connecter ensuite les haut-parleur appropriées à l'amplificateur.



# Installation



## Accessoires

Nom de la pièce	Vue extérieure	Quantité
Vis taraudeuses (Ø5 × 18 mm)		4
Vis d'assemblage à six pans creux (M4 × 8 mm)		4
Couvercle		1
Cache de bornier (Borne d'alimentation)		1
Clé polygonale		1

## Procédure d'installation

- Etant donné que le nombre de réglages et de raccordements est assez important, il importe de prendre pleinement connaissance du mode d'emploi.
- Retirer la clé de contact et débrancher la borne négative ⊖ de la batterie pour éviter les court-circuits.
  - Régler l'appareil en fonction de l'utilisation désirée.
  - Raccorder les câbles d'entrée et de sortie de l'appareil.
  - Raccorder les câbles de haut-parleur.
  - Relier, dans l'ordre, le câble d'alimentation, le câble de commande d'alimentation et le câble de masse.
  - Mettre en place les accessoires d'installation sur l'unité.
  - Brancher l'unité.
  - Installer le couvercle.
  - Raccorder la borne négative ⊖ de la batterie.

### ⚠ ATTENTION

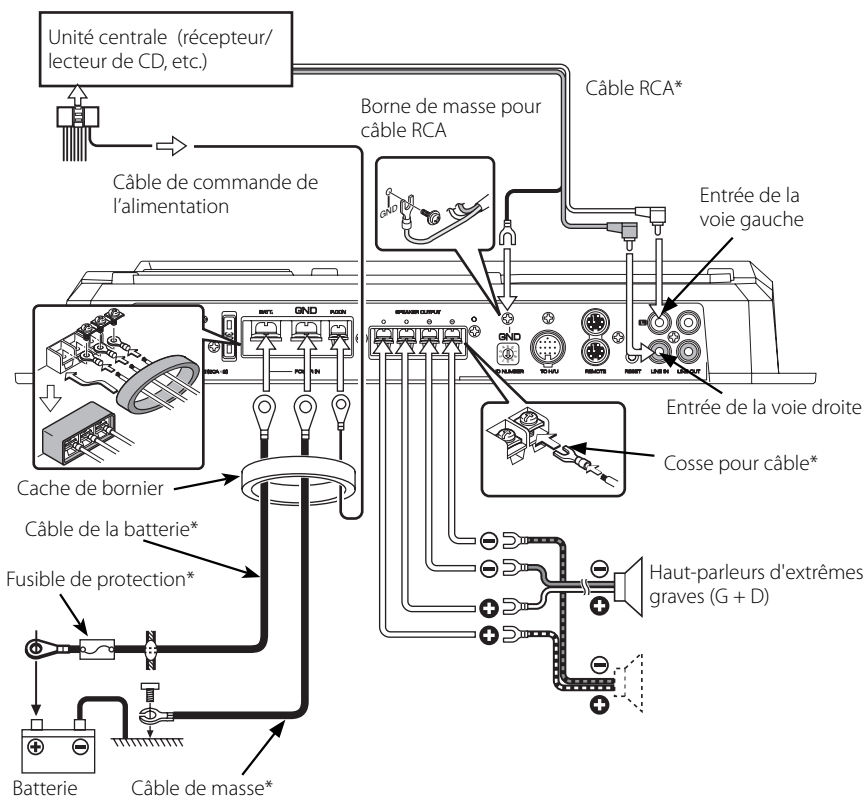
- Ne pas procéder à l'installation de l'appareil si vous vous trouvez dans l'un des lieux suivants : (Lieu instable, Lieu où la conduite du véhicule peut être gênée, Lieu exposé à l'humidité, Lieu exposé à la poussière, Lieu surchauffé, Lieu exposé directement à la lumière du jour, Lieu exposé à l'air chaud)
- Ne pas recouvrir l'appareil d'une nappe, tapis, etc; la chaleur qui s'accumulerait risque d'endommager l'appareil.
- Installer cet appareil à un emplacement tel que la chaleur puisse se dissiper aisément. Après l'installation, ne placer aucun objet sur l'appareil.
- La surface de l'amplificateur va chauffer pendant l'utilisation. Installer l'amplificateur à un endroit où des passagers, de la résine ou d'autres substances sensibles à la chaleur n'entreront pas en contact avec lui.
- Cette unité dispose d'un ventilateur de refroidissement permettant d'abaisser la température interne. Ne pas monter l'unité dans un endroit où le ventilateur de refroidissement et les conduites de l'unité sont bloqués. En effet, si la chaleur interne ne peut pas être éliminée par la ventilation de l'appareil, une anomalie de fonctionnement peut aisément survenir.
- Lors du forage d'un trou sous le siège, à l'intérieur du coffre ou partout ailleurs dans le véhicule, vérifier s'il n'y a pas d'éléments dangereux de l'autre côté, tel qu'un réservoir à carburant, une conduite de frein, une gaine de câbles, et faire attention de ne pas faire de griffes ou d'autres dégâts.
- Ne pas l'installer près du tableau de bord, de la plage arrière ou d'éléments de sécurité de l'airbag.
- Lors de l'installation dans un véhicule, l'appareil doit être fermement fixé à un endroit où il ne gênera pas la conduite. Si l'appareil se détache suite à un choc et heurte quelqu'un ou un élément de sécurité, il peut occasionner des blessures ou un accident.
- Après installation de l'appareil, s'assurer que les différents équipements électriques tels que lampes frein et les clignotants de direction fonctionnent normalement.

## ▲ AVERTISSEMENT

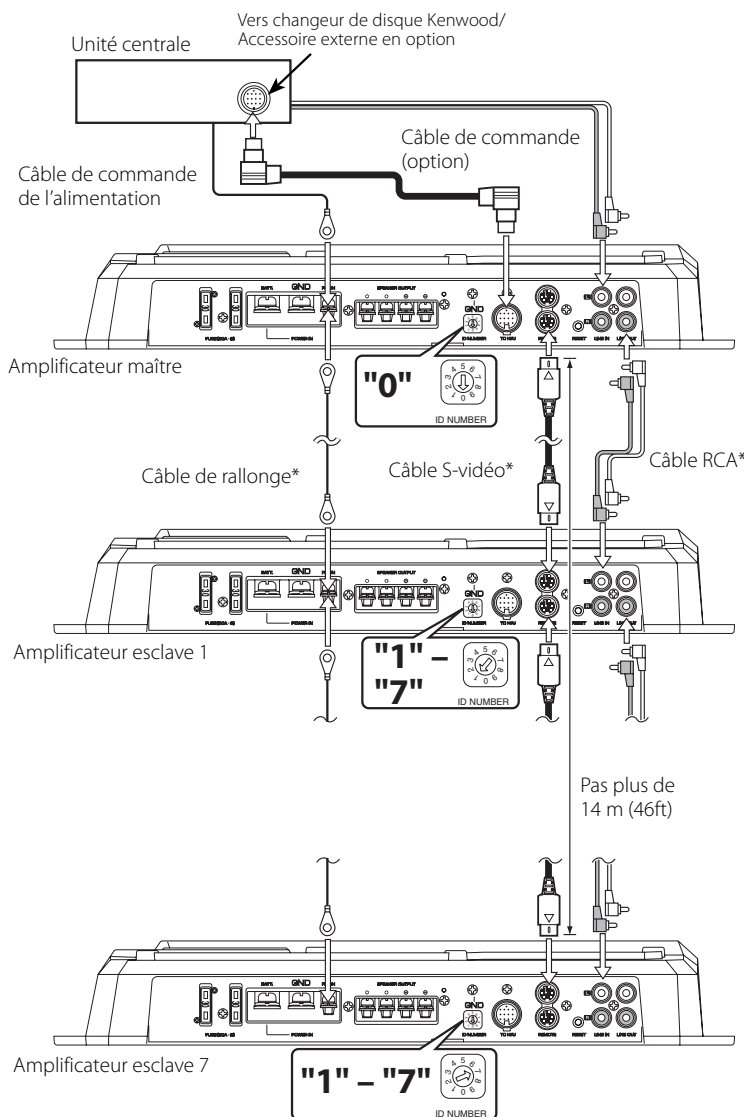
Pour éviter tout incendie dû à un court-circuit, insérer un fusible ou un coupe-circuit à proximité de la borne de la batterie.

## ▲ ATTENTION

- En cas d'anomalie, mettre immédiatement l'appareil hors tension et vérifier tous les raccordements.
- Veiller à mettre l'appareil hors tension avant de changer la position des commutateurs.
- Si le fusible saute, vérifier si les câbles ne sont pas court-circuités, et remplacer le fusible par un autre fusible de même capacité nominale.
- Vérifier qu'aucun câble ou connecteur non raccordé ne touche la carrosserie de la voiture. Ne pas retirer les capuchons des câbles ou connecteurs non raccordés afin d'éviter tout court-circuit.
- Raccorder séparément les câbles de haut-parleur aux connecteurs de haut-parleur appropriés. La mise en commun du câble négatif d'un haut-parleur ou des fils de masse des haut-parleurs à la carrosserie métallique de la voiture pourrait rendre l'appareil inopérant.
- Après l'installation, vérifier que les voyants de frein, les clignotants et les essuie-glace fonctionnent correctement.



## ■ Connexion LX-Bus



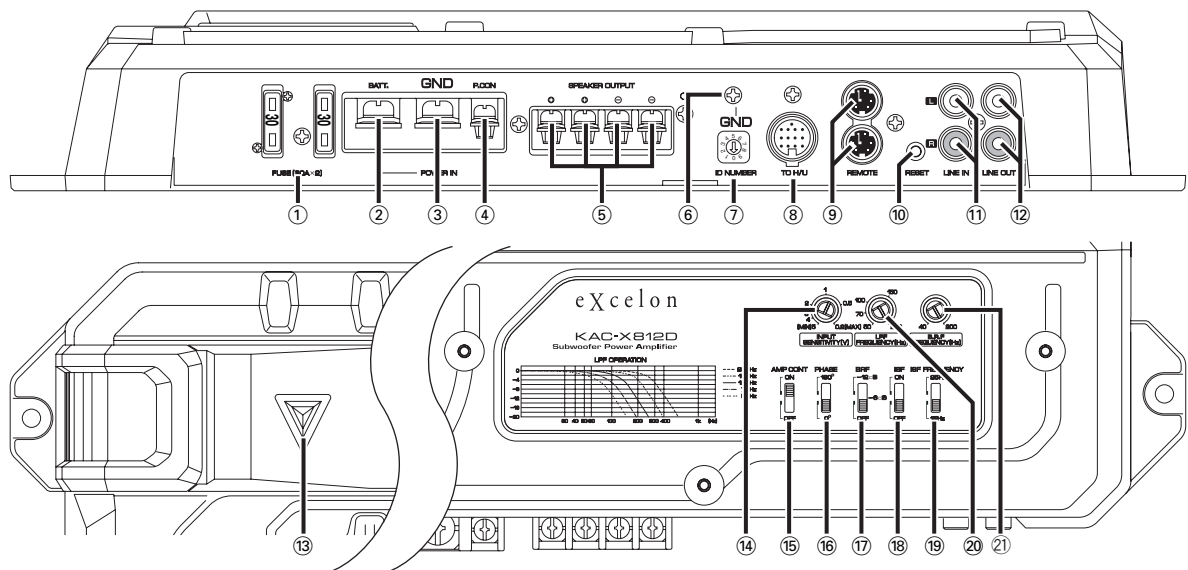
Régler le numéro d'identification de l'amplificateur maître sur "0". Vous pouvez connecter jusqu'à 7 amplificateurs esclaves. Attribuez-leur les numéros "1" à "7" et ne les dupliquez pas.

## ▲ ATTENTION

- Ne pas connecter 2 amplificateurs maître à l'unité centrale. Sinon, vous ne pourrez pas contrôler tous les amplificateurs connectés à l'unité centrale.
- Le LX AMP et l'unité capteur ne peuvent être connectés simultanément. Vous ne devez en connecter qu'un à la fois.

## REMARQUE

- La longueur totale des câbles S-vidéo pouvant être connectés est de 14 mètre (46 ft) maximum. Si la longueur du câble dépasse cette limite, vous ne pourrez pas contrôler les amplis à partir de l'unité centrale.
- Si vous attribuez le même numéro d'identification à plusieurs amplis, il y aura des dysfonctionnements lorsque vous ferez fonctionner l'un d'entre eux à partir de l'unité centrale.
- Si vous attribuez le numéro d'identification "8" ou "9" à un ampli esclave, il ne sera pas reconnu par l'unité centrale.



① **FUSIBLE (30 A × 2)**

② **Borne BATT (alimentation)**

③ **Borne GND (masse)**

④ **Borne P.CON (fil de commande d'alimentation)**

Commande l'unité ON/OFF.

**REMARQUE**

Commande l'unité d'alimentation. Assurez-vous de le connecter à l'ensemble des différents systèmes.

⑤ **Bornes SPEAKER OUTPUT**

Cet appareil étant conçu pour fonctionner avec une impédance de charge de 1 Ohm, tout haut-parleur dont l'impédance est égale ou supérieure à 1 Ohm peut être branché sur ces prises.

**ATTENTION**

La puissance admissible par les haut-parleurs doit être au moins égale à la puissance de sortie de l'amplificateur. Dans le cas contraire, une anomalie de fonctionnement peut survenir.

⑥ **Borne de masse pour câble RCA (GND)**

Si on utilise une câble RCA muni d'un fil de masse, relier le fil de masse à cette borne.

⑦ **Commutateur ID NUMBER**

Etablit un numéro d'identification d'ampli (ID) à utiliser pour le contrôle de l'amplificateur à partir de l'unité centrale.

Attribuez le numéro d'identification "0" à l'ampli que vous souhaitez utiliser comme amplificateur maître.

Attribuez les numéros d'identification "1" à "7" aux amplificateurs que vous souhaitez utiliser comme amplificateurs esclaves. Ne dupliquez pas ces numéros.

**REMARQUE**

Après avoir modifié les numéros d'identification des amplificateurs, éteignez le commutateur POWER de l'unité centrale et rallumez-le.

⑧ **Borne TO H/U**

Après avoir réglé l'amplificateur maître, connectez-le à l'unité centrale.

⑨ **Bornes REMOTE**

Utilisés pour connecter aux amplificateurs esclaves.

⑩ **Touche RESET**

Réinitialise le microprocesseur de l'unité.

**REMARQUE**

Les valeurs que vous avez réglées avec la commande d'amplificateur ne sont pas réinitialisées.

⑪ **Borne d'entrée de ligne(LINE IN)**

⑫ **Sortie de ligne(LINE OUT)**

Le signal entrant du terminal d'entrée de ligne constitue la sortie.

⑬ **Voyant d'alimentation**

S'allume lorsque le commutateur POWER est mis en marche.

Le voyant clignote pendant plusieurs secondes lorsque le commutateur POWER est mis en marche ou lorsque la fonction de protection est activée.

⑭ **Commande INPUT SENSITIVITY (sensibilité d'entrée)**

Régler cette commande selon le niveau de pré-sortie de l'unité centrale branché à cet amplificateur.

**REMARQUE**

Se référer à la section <Spécifications> du manuel des instructions de l'unité centrale à propos du niveau de pré-sortie.

⑮ **Commutateur AMP CONT (commande d'amplificateur)**

Utilisé pour dériver le circuit lorsque vous ne contrôlez pas le son avec la commande d'amplificateur.

• **Position ON :**

Vous permet de contrôler le son avec la commande d'amplificateur.

• **Position OFF :**

Dérive le circuit de la commande d'amplificateur.

**REMARQUE**

Le contrôle de l'amplificateur est possible même en étant hors tension.

⑯ **Commutateur PHASE**

Lorsque cet interrupteur est sur "180°" (Inverse), la phase de sortie de l'enceinte est inversée.

⑰ **Commutateur BRF (filtre de rejet de bande)**

Lorsque ce commutateur est placé sur la position "-6dB"/"-12dB", les fréquences contenues dans la bande dont la largeur a été réglée au moyen de la commande "B.R.F. FREQUENCY", sont rejetées, autrement dit supprimées. La réjection de la bande a pour objet d'éliminer les résonances et les ondes stationnaires qui autrement prendraient naissance dans l'habitacle du véhicule. (Voir page.16)

⑱ **Commutateur ISF (filtre infrasonore)**

Lorsque ce commutateur est placé sur la position "ON", les fréquences très graves et inaudibles qui sont inférieures à la valeur définie au moyen de la commande "ISF FREQUENCY", sont supprimées. Cette disposition permet d'accroître les performances des haut-parleurs qui ne sont plus tenus de reproduire des vibrations inutiles puisqu'elles ne sont pas perçues par l'oreille.

⑲ **Commutateur ISF FREQUENCY**

Ce commutateur permet de choisir la fréquence de coupure lorsque le commutateur "ISF" est placé sur la position "ON".

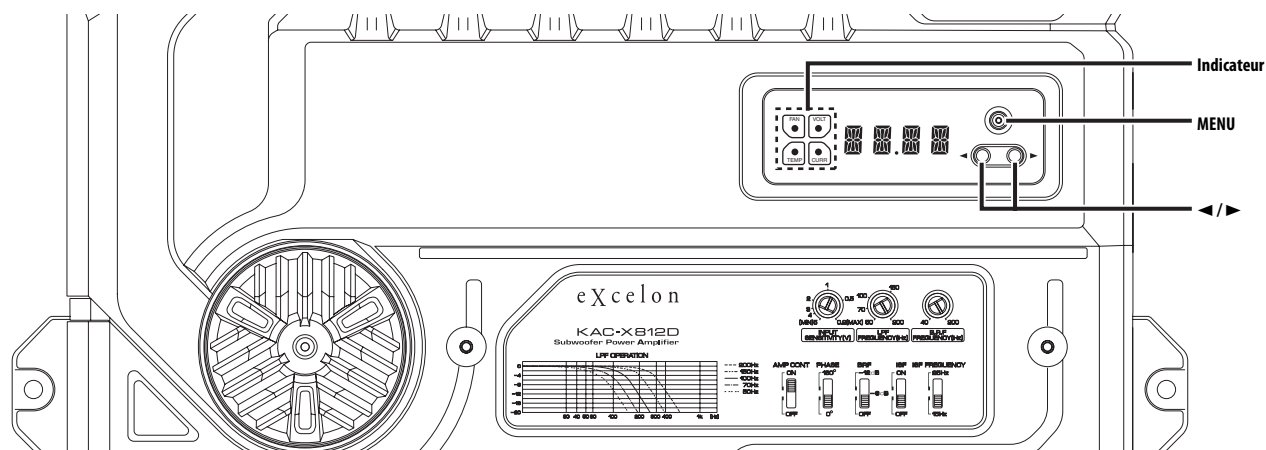
⑳ **Commande LPF (Filtre passe-bas) FREQUENCY**

Cette commande permet de régler la bande de fréquence en sortie de cet appareil.

㉑ **Commande B.R.F. FREQUENCY**

Lorsque le filtre "BRF" est en service ("6dB"/"-12dB"), cette commande permet de définir la largeur de la bande des fréquences rejetées. (Voir page.16)

# Systeme de commande d'amplificateur



## Mode d'affichage

Vous pouvez régler les éléments de l'affichage comme suit :

### 1 Entrer dans le mode menu

Appuyez sur la touche [MENU].

"VOLT"/"CURR"/"TEMP"/"FAN" est affiché.

### 2 Sélectionner un élément de l'affichage

Appuyez sur la touche [◀] ou [▶].

Les éléments de l'affichage sont commutés dans l'ordre suivant.

Affichage	Information
"VOLT"	Indique la tension de la source (V).
"CURR"	Indique l'intensité du courant (A).
"TEMP"	Indique la température interne (°F/°C).
"FAN"	Indique la vitesse de rotation du ventilateur de refroidissement en 3 niveaux : "FAST", "SLOW" ou "OFF".

### 3 Sortez du mode menu

Appuyez sur la touche [MENU] pendant au moins 1 seconde.

#### REMARQUE

Lorsque la température est de -22°F/-30°C ou moins, "-22F"/"-30C" s'affiche.

## Commande d'ampli séparée

Vous pouvez contrôler le son à l'aide de la fonction de commande d'amplificateur de l'unité.

### 1 Entrer dans le mode menu

Appuyez sur la touche [MENU].

### 2 Sélectionner l'élément menu

Appuyez sur la touche [MENU].

Les éléments de réglage s'affichent tout d'abord 1 seconde environ, puis les valeurs réglées s'affichent.

### 3 Régler l'élément menu

Appuyez sur la touche [◀] ou [▶].

Les éléments de réglage et les valeurs réglées sont commutés comme suit.

Affichage	Gamme	Élément de réglage
"VOLT"/"CURR"/"TEMP"/"FAN"		Pour la méthode de fonctionnement, référez-vous à la section <Mode d'affichage>.
"BASS"	60/80/100/200 (Hz)	Fréquence centrale de basse
"BA G"	B-15 — B+15 (dB)	Niveau de basses
"BA Q"	Q1.00/Q1.25/Q1.50/Q2.00	Facteur d'amplification dynamique Q
"EXT"	ON/OFF	Lorsque l'expansion de basses est activée, la réponse en basse fréquence est augmentée de 20%.
"VOL"	-20 — 0 (dB)	Décalage de volume
"TEMP"	FAHR (Fahrenheit) ou CELS (Centigrade)	L'unité de température Fahrenheit ou Centigrade peut être sélectionnée pour le mode d'affichage.
"DEFA"		Pour la méthode de fonctionnement, référez-vous à <Par défaut>.
"AMP"	0 — 7	Le numéro d'identification que vous avez attribué s'affiche.

### 4 Sortez du mode menu

Appuyez sur la touche [MENU] pendant au moins 1 seconde.

#### REMARQUE

Lorsque vous maintenez appuyé la touche [▶] pendant plus de 3 secondes pendant l'affichage du numéro d'identification ("AMP"), le message "MEMO" s'affiche et vous pouvez enregistrer les valeurs que vous avez réglées avec la commande d'amplificateur. Pour rappeler les valeurs de la commande d'amplificateur, maintenez appuyée la touche [◀] pendant plus de 3 secondes pendant l'affichage du numéro d'identification ("AMP"). Vous pouvez alors rappeler la valeur lorsque le message "LOAD" est affiché.

## Par défaut

Réinitialise toutes les valeurs réglées et les remplace par les valeurs initiales (par défaut).

### 1 Entrer dans le mode menu

Appuyez sur la touche [MENU].

### 2 Sélectionnez le mode par défaut

Appuyez sur la touche [MENU].

Sélectionnez l'affichage "DEFA".

### 3 Réinitialise la valeur et la remplace par la valeur par défaut

Appuyez sur la touche [▶] pendant au moins 2 secondes.

Le message "----" s'affiche, et la valeur est réinitialisée.

### 4 Sortez du mode menu

Appuyez sur la touche [MENU] pendant au moins 1 seconde.

#### REMARQUE

La valeur de décalage de volume ne peut être initialisée.

## Démonstration d'affichage

Les éléments "VOLT"/"CURR"/"TEMP"/"FAN" s'affichent de manière répétée.

Appuyez sur la touche [MENU] pendant au moins 2 secondes.

Le voyant clignote en mode démonstration.

### Annulation du mode démonstration

Appuyez sur un touche quelconque pour annuler le mode démonstration.

## Contrôle d'un ampli à partir de l'unité centrale

Vous pouvez contrôler le son en contrôlant les amplificateurs à partir de l'unité centrale.

### 1 Entrez en mode de commande AMP

Sélectionnez le mode de commande AMP en suivant la procédure <Commandes AMP> donnée dans le mode d'emploi de l'unité centrale.

#### REMARQUE

Utilisez la valeur réglée et les touches de fonctionnement de valeur en suivant les instructions données dans le mode d'emploi de l'unité centrale.

### 2 Sélectionnez un numéro d'ampli à faire fonctionner

Faire fonctionner l'élément réglé souhaité à l'aide de l'unité centrale.

Sélectionnez l'affichage "AMP NO"/"AMP CONTROL NO".

#### REMARQUE

Lorsque l'unité centrale est en mode STANDBY, le message "AMP OFF" s'affiche et vous ne pouvez pas faire fonctionner les éléments réglés.

### 3 Définir le numéro d'identification d'ampli à faire fonctionner

Définir un numéro d'identification d'ampli sur l'unité centrale.

Vous pouvez sélectionner un numéro d'identification de "0" à "7" des amplis connectés.

### 4 Sélectionnez l'élément de commande AMP pour le réglage

Sélectionnez l'élément réglé souhaité sur l'unité centrale.

### 5 Régler l'élément de commande AMP

Vous pouvez définir une valeur pour chaque élément sur l'unité centrale.

Les éléments réglés et leurs valeurs sont commutés et affichés comme suit.

Affichage	Gamme	Élément de réglage
"VOLT"/"CURR"/"TEMP"/"FAN"		L'état de l'ampli s'affiche.
"VOLT"		Indique la tension de la source (V).
"CURR"		Indique l'intensité du courant (A).
"TEMP"		Indique la température interne (°F/°C).
"FAN"		Indique la vitesse de rotation du ventilateur de refroidissement en 3 niveaux : "FAST", "SLOW" ou "OFF".
"BAS F"/"BASS FREQ"	60/80/100/200 (Hz)	Fréquence centrale de basse
"BAS G"/"BASS GAIN"	-15 — +15 (dB)	Niveau de basses
"Q FA"/"Q FACTOR"	Q1.00/Q1.25/Q1.50/Q2.00	Facteur d'amplification dynamique Q
"EXT"/"BASS EXT"	ON/OFF	Lorsque l'expansion de basses est activée, la réponse en basse fréquence est augmentée de 20%.
"VOL"/"VOL OFFSET"	-20 — 0 (dB)	Décalage de volume
"AMP NO"/ "AMP CONTROL NO"	0 — 7	Sélectionnez le numéro d'identification de l'ampli que vous utilisez.

### 6 Quitter le mode de commande AMP

Débloquez le mode de commande d'ampli par l'unité centrale.

#### REMARQUE

Lorsque vous avez contrôlé les basses ou les aigus du son à l'aide de l'égaliseur ou de la fonction DSP de l'unité centrale, et lorsque vous amplifiez la même fréquence que celle contrôlée par la commande d'amplificateur, le son peut être déformé en raison d'une saturation de l'entrée.

## Messages pouvant s'afficher sur l'unité centrale

Lorsque vous sélectionnez un élément avec la commande d'ampli, un état d'erreur de l'amplificateur s'affiche sur l'unité centrale.

Affichage	Information
"AMP × E-01"/"AMP × COND E-01"	Lorsque l'intérieur de l'unité est en surchauffe.
"AMP × E-02"/"AMP × COND E-02"	Lorsque l'unité est en panne et que l'intensité du courant continu est transmise à la sortie haut-parleur.
"AMP × E-03"/"AMP × COND E-03"	Lorsque le cordon du haut-parleur est en court-circuit.
"AMP OFF"	Lorsque la sortie haut-parleur est en contact avec la terre du véhicule.
"AMP OFF"	Lorsque vous utilisez la commande d'ampli en mode de veille :

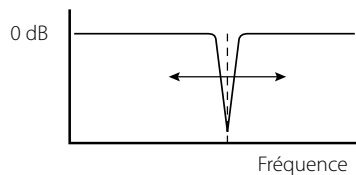
#### REMARQUE

Le numéro "x" à l'affichage indique le numéro d'identification de l'ampli.

## Filtre coupe bande (B.R.F.)

Pour certaines fréquences, les caractéristiques de l'habitacle du véhicule sont telles que des résonances parasites et des ondes stationnaires peuvent prendre naissance.

En n'éliminant que les fréquences responsables des résonances et des ondes stationnaires, le filtre coupe-bande peut supprimer ces phénomènes gênants sans altérer de façon significative la qualité des sons.



### ■ Méthode de réglage:

Pour que le filtre coupe-bande ne modifie pas sensiblement la qualité du signal musical, seules sont supprimées certaines fréquences. Il est donc essentiel que les fréquences de coupure du filtre soient très précisément choisies en fonction des fréquences qui provoquent les résonances et les ondes stationnaires. Le réglage du filtre coupe-bande peut être effectué après une écoute attentive mais nous conseillons l'emploi d'un générateur de signal ou d'un analyseur de spectre précis afin d'obtenir les meilleurs effets.

#### • Réglage à l'aide d'un générateur de signal:

Produire une onde sinusoïdale, en faire varier la fréquence de manière à détecter celle qui provoque une résonance de l'habitacle ou une augmentation du niveau sonore (ce qui correspond alors à la génération d'ondes stationnaires) puis agir sur la commande "B.R.F. FREQUENCY" de telle façon que cette résonance, ou ces ondes stationnaires, soient éliminées.

#### • Réglage à l'aide d'un analyseur de spectre:

Au moyen d'un appareil convenable, produire un bruit blanc (c'est-à-dire un bruit présentant la même énergie quelle que soit la fréquence considérée), déterminer grâce à l'analyseur de spectre la valeur de la fréquence crête puis agir sur la commande "B.R.F. FREQUENCY" de telle façon que ce signal crête ne soit plus observable sur l'analyseur de spectre.

## Guide de dépannage

**Ce qui peut apparaître comme un mauvais fonctionnement de votre appareil n'est peut être que le résultat d'une mauvaise opération ou d'une mauvaise connexion. Avant d'appeler un centre de service, vérifiez d'abord dans le tableau suivant les problèmes possibles.**

PROBLEME	CAUSE POSSIBLE	SOLUTION
<b>Absence de sons. (Pas de son d'un côté) (Fusible grillé)</b>	<ul style="list-style-type: none"><li>• Les câbles d'entrée (ou de sortie) sont débranchés.</li><li>• Le circuit de protection peut être actionné.</li><li>• Le volume est trop fort.</li><li>• Les fils de raccordement d'enceinte sont en court-circuit.</li></ul>	<ul style="list-style-type: none"><li>• Brancher les câbles d'entrée (ou de sortie).</li><li>• Vérifier les raccordements en se reportant au paragraphe &lt;Fonction de protection&gt;.</li><li>• Remplacez le fusible et utilisez un niveau de volume plus faible.</li><li>• Après avoir vérifié le câble d'enceinte et réparé la cause du court-circuit, remplacez le fusible.</li></ul>
<b>Niveau de sortie trop faible. (ou trop fort)</b>	<ul style="list-style-type: none"><li>• La commande de réglage de la sensibilité d'entrée n'est pas amenée sur la bonne position.</li></ul>	<ul style="list-style-type: none"><li>• Faire le réglage correctement en se reportant aux indications données en &lt;Contrôles&gt;.</li></ul>
<b>La qualité sonore est mauvaise. (Le son est distordu.)</b>	<ul style="list-style-type: none"><li>• Les câbles de haut-parleur ont été raccordés en inversant la polarité ⊕ / ⊖.</li><li>• Un câble de haut-parleur est pincé par une vis dans le châssis de la voiture.</li><li>• Les commutateurs ne sont peut-être pas positionnés comme il convient.</li></ul>	<ul style="list-style-type: none"><li>• Raccorder correctement en respectant les indications ⊕ et ⊖ des bornes et des câbles.</li><li>• Rebrancher le câble de haut-parleur en évitant tout pincement</li><li>• Positionner les commutateurs en tenant compte des indications fournies aux paragraphes &lt;Contrôles&gt;.</li></ul>
<b>Le son ne change pas même lorsque vous l'avez modifié avec la commande de l'amplificateur.</b>	<ul style="list-style-type: none"><li>• L'AMP CONT a été désactivée sur "OFF".</li></ul>	<ul style="list-style-type: none"><li>• Activez l'AMP CONT sur "ON".</li></ul>
<b>La valeur réglée ne peut être modifiée par la commande d'amplificateur de l'unité.</b>	<ul style="list-style-type: none"><li>• La commande AMP de l'unité centrale est utilisée.</li></ul>	<ul style="list-style-type: none"><li>• Débloquez le mode de commande AMP de l'unité centrale.</li></ul>
<b>La commande d'amplificateur ne peut être commandée à partir de l'unité centrale.</b>	<ul style="list-style-type: none"><li>• Un numéro d'identification incorrect est utilisé pour l'amplificateur maître.</li><li>• Le numéro de l'amplificateur a été changé.</li></ul>	<ul style="list-style-type: none"><li>• Réglez toujours le numéro d'identification de l'amplificateur maître sur "0".</li><li>• Après avoir modifié le numéro d'identification d'un amplificateur, éteignez d'abord le commutateur POWER de l'unité centrale, puis rallumez-le.</li></ul>



# Spécifications

Les spécifications sont sujettes à modifications sans préavis.

## Section audio

Puissance de sortie max.....	1600 W
Puissance de sortie nominale (+B = 12,0 V)	
(4 Ω) (20 Hz – 200 Hz, 0,5 % THD).....	300 W × 1
(2 Ω) (100 Hz, 0,5 % THD).....	600 W × 1
Puissance de sortie nominale (+B = 14,4 V)	
(4 Ω) (20 Hz – 200 Hz, 0,5 % THD).....	400 W × 1
(2 Ω) (100 Hz, 0,5 % THD).....	800 W × 1
(1 Ω) (100 Hz, 1,0 % THD).....	1000 W × 1
Fréquence du filtre passe-bas (24 dB/oct.).....	50 – 200 Hz (variable)
Fréquence de coupure du filtre infrasonore (24 dB/oct.).....	ETEINT / 15 / 25 Hz
Inverseur de phase.....	0° (Normal) / 180° (Inverse)
Plage du filtre coupe-bande.....	40 – 200 Hz (Variable)
Réponse en fréquence (+0, –3 dB).....	5 Hz – 200 Hz
Rapport signal/bruit.....	100 dB
Sensibilité (puissance nominale) (MAX.).....	0,2 V
(MIN.).....	5,0 V
Impédance d'entrée.....	10 kΩ

## Section de commande d'amplificateur (EQ)

Fréquence des basses.....	60 / 80 / 100 / 200 Hz
Niveau de basses.....	-15 — +15 dB
Facteur d'amplification dynamique Q des basses.....	1,00 / 1,25 / 1,50 / 2,00

## Générales

Tension de fonctionnement.....	14,4 V (11 – 16 V possibles)
Consommation (+B = 12,0 V, 100 Hz, 10 % THD, 4 Ω).....	55 A
Dimensions (L × H × P).....	386 × 61 × 259,5 mm
	15-3/16 × 2-3/8 × 10-3/16 inch
Taille d'installation (L × H × P).....	386 × 61 × 265 mm
	15-3/16 × 2-3/8 × 10-3/8 inch
Poids.....	4,07 kg (8,97 lbs)

## CEA-2006

Sortie de puissance RMS (+B = 14,4 V)	
(4 Ω) (1,0 % THD+N).....	533 W
(2 Ω) (1,0 % THD+N).....	919 W
(1 Ω) (1,0 % THD+N).....	1016 W
Puissance dynamique (+B = 14,4 V).....	566 W
Régulation de tension (+B = 14,4 V).....	inférieur à 0,2 dB (4 Ω)
Rapport signal/bruit.....	74 dBA (W/4 Ω)
(Dérivation).....	74 dBA (W/4 Ω)



# Precauciones de seguridad

## ▲ADVERTENCIA

Para evitar el riesgo de lesiones y/o fuego, observe las siguientes precauciones:

- Cuando extienda los cables de la batería o de masa, asegúrese de utilizar cables para automóviles u otros cables que tengan un área de 8 mm<sup>2</sup> (AWG8) o más, para evitar el deterioro del cable y daños en su revestimiento.
- Para evitar cortocircuitos, nunca coloque ni deje objetos metálicos (por ejemplo, monedas o herramientas metálicas) dentro de la unidad.
- Si nota que la unidad emite humos u olores extraños, desconecte inmediatamente la alimentación y consulte con su distribuidor Kenwood.
- No toque el aparato mientras lo utiliza porque su superficie se calienta y puede causar quemaduras si se toca.

## ▲PRECAUCIÓN

Para evitar daños en la unidad, tome las siguientes precauciones:

- Asegúrese de que la unidad está conectada a un suministro de alimentación de CC de 12V con una conexión de toma de tierra negativa.
- No abra las cubiertas superior o inferior de la unidad.
- No instale la unidad en un sitio expuesto a la luz directa del sol, o excesivamente húmedo o caluroso. Asimismo evite los lugares muy polvorientos o sujetos a salpicaduras de agua.
- Cuando tenga que reemplazar un fusible, utilice únicamente uno del régimen prescrito. El uso de un fusible de régimen incorrecto podría ocasionar un funcionamiento defectuoso de la unidad.
- Para evitar cortocircuitos mientras sustituye el fusible, desconecte previamente el mazo de conductores.

## Unidades de control disponibles:

La unidad central de soporte LX-Bus de Kenwood puesta en venta en 2004 o posteriormente puede controlar esta unidad. Las operaciones del control del AMP (LX) en el manual de funcionamiento de la unidad central.

### NOTA

- El LX AMP y la unidad de sensor no se pueden conectar simultáneamente. Deberá conectarlos uno a la vez.

## NOTA

- Si tiene problemas durante la instalación, consulte con su distribuidor Kenwood.
- Si la unidad no está funcionando correctamente, consulte con su distribuidor Kenwood.

## Limpieza de la unidad

Si la superficie de la unidad está sucia, apague la unidad y limpie con un paño siliconado suave y seco.

### ▲PRECAUCIÓN

No limpie el panel con un paño áspero o humedecido con disolventes volátiles tales como diluyente de pintura o alcohol. Su uso podría rayar la superficie del panel y/o hacer que se despeguen las letras indicadoras.

## Para evitar agotar la batería

Cuando la unidad se utiliza en la posición ACC ON sin CONECTAR el motor, agota la batería. Utilícelo después de arrancar el motor.

## Función de protección

La unidad tiene instalada una función de protección con el fin de proteger a la unidad y a los altavoces de algunos problemas. Cuando dicha protección funciona, la pantalla informa sobre esta condición.

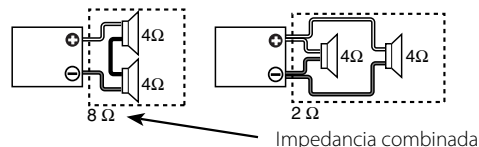
Visualización	Información
"E-01"	Cuando el interior de la unidad se recalienta. Cuando la unidad ha fallado y se genera tensión de corriente directa hacia la salida del altavoz.
"E-02"	<b>NOTA</b> DESCONECTE la alimentación y liere la protección. Si el código "E-02" no desaparece, consulte con el centro de servicio más cercano.
"E-03"	Cuando el cable del altavoz está en corto. Cuando la salida del altavoz hace contacto con la masa del vehículo.
La pantalla "VOLT" parpadea.	La tensión es distinta del rango de funcionamiento.

## Cableado

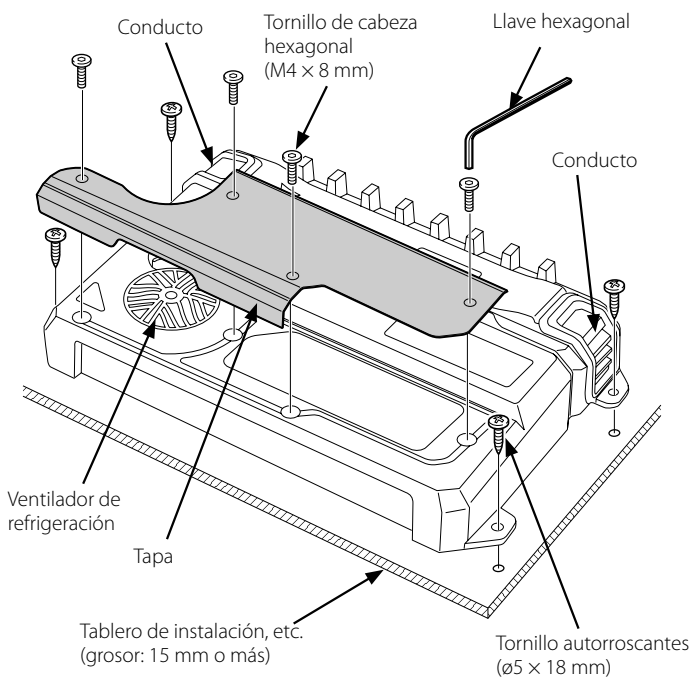
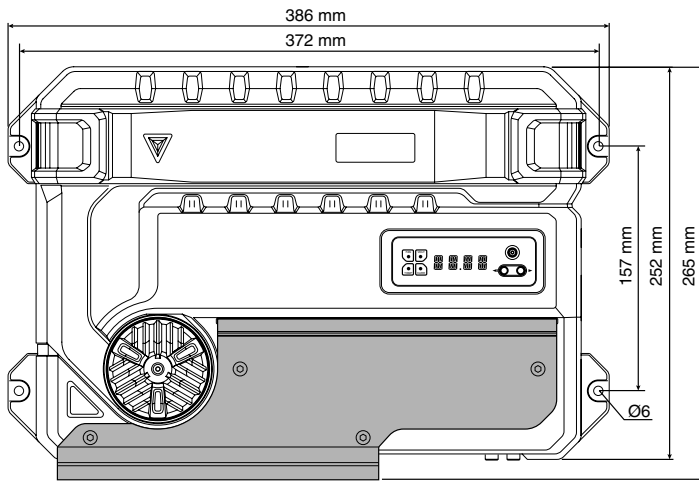
- Lleve el cable de la batería de esta unidad directamente desde la propia batería. Si se conectara al arnés del cableado del vehículo, puede provocar daños en los fusibles, etc.
- Si se produce un ruido de zumbido por los altavoces mientras funciona el motor, conecte un filtro de ruido de línea (vendido por separado) a cada cable de la batería.
- No permita que el cable entre en contacto directo con el borde de la placa de hierro, utilizando para ello arandelas de caucho.
- Conecte los cables de masa a una parte del chasis del automóvil que actúe como puesta a masa por donde pase la electricidad hasta el borne negativo ⊖ de la batería. No conecte la alimentación si no están conectados los cables de masa.
- Asegúrese de instalar un fusible de protección en el cable de corriente cerca de la batería. El fusible positivo debería tener la misma capacidad que el de la unidad o algo mayor.
- Para el cable de corriente y la masa, utilice un cable de corriente para vehículos (ignifugo) con una capacidad mayor que la capacidad del fusible de la unidad. (Utilice un cable de corriente con un diámetro de 8 mm<sup>2</sup> (AWG 8) o mayor.)
- Cuando desee utilizar más de un amplificador de potencia, utilice un cable de suministro de alimentación y un fusible de protección de una capacidad de soporte de corriente mayor a la corriente máxima total utilizada por cada amplificador.

## Selección de altavoces

- La potencia de entrada asignada de los altavoces que se conecten al amplificador debe ser mayor que la potencia de salida máxima (en Wats) del amplificador. Utilizar altavoces que posean potencias de entrada menores a la salida de entrada del amplificador producirá emisiones de humo y daños.
- Utilice altavoces que posean una impedancia de 1Ω o más. Cuando desee utilizar más de un juego de altavoces, calcule la impedancia combinada de estos altavoces y luego conecte adecuadamente los altavoces al amplificador.



# Instalación



## Accesorios

Nombre de pieza	Vista exterior	Unidades
Tornillo autorroscantes (Ø5 x 18 mm)		4
Tornillo de cabeza hexagonal (M4 x 8 mm)		4
Tapa		1
Cubierta de terminales (Terminal del cable de alimentación)		1
Llave hexagonal		1

## Procedimiento de instalación

Como se puede hacer una gran variedad de ajustes y conexiones según las aplicaciones, lea atentamente el manual de instrucciones para seleccionar el ajuste y la conexión apropiados.

1. Retire la llave de encendido y desconecte el terminal negativo  $\ominus$  de la batería para evitar cortocircuitos.
2. Prepare el aparato según el uso que vaya a hacer de él.
3. Conecte los cables de entrada y salida de las unidades.
4. Conecte los cables del altavoz.
5. Conecte el cable de alimentación, el cable de control de alimentación y el cable de tierra en este orden.
6. Coloque los elementos de instalación en la unidad.
7. Coloque la unidad.
8. Instale la tapa.
9. Conecte la terminal negativa  $\ominus$  de la batería.

### ⚠PRECAUCIÓN

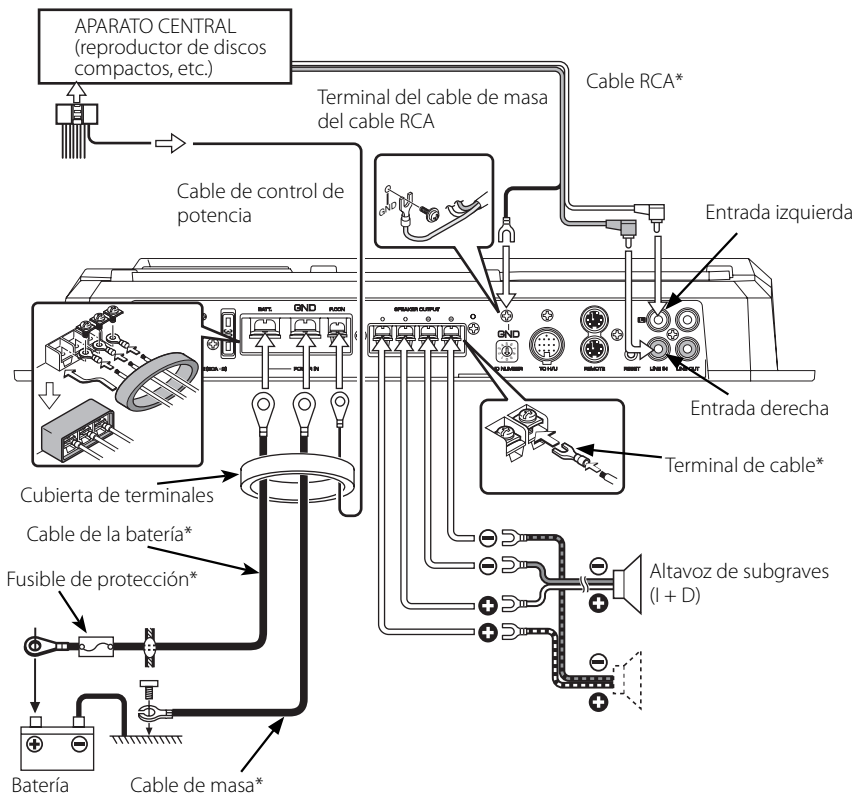
- No instale el equipo en las siguientes ubicaciones; (Ubicación inestable; En un lugar que interfiera a la conducción; En un lugar en el que pueda mojarse; En un lugar con exceso de polvo; En un lugar en el que pueda recalentarse; En un lugar en el que reciba la luz directa del sol; En un lugar situado en el flujo de aire caliente)
- No utilice el aparato bajo una alfombra porque en caso contrario, éste podría sobrecalentarse y estropearse.
- Instale este aparato en un lugar donde el calor pueda disiparse fácilmente. Una vez instalado, no ponga nada sobre él.
- La temperatura de la superficie del amplificador se elevará durante su uso. Instale el amplificador en un lugar seguro donde personas, resinas y otras sustancias sensibles al calor no entren en contacto con esta superficie.
- Esta unidad tiene un ventilador de refrigeración para reducir la temperatura interna. No instale la unidad en un lugar donde estén bloqueados el ventilador y los ductos de refrigeración. Al tapar estas aberturas no podrá reducirse adecuadamente la temperatura interior y podrá producirse un fallo en el funcionamiento.
- Cuando haga un orificio bajo el asiento o en el portaequipajes o en algún otro lugar del vehículo, verifique que no existan objetos peligrosos al lado opuesto tales como un tanque de gasolina, tubo del freno, o los alambres del cableado del coche y tenga cuidado de no rayar las piezas del vehículo o causar algún otro daño.
- No lo instale cerca del panel de controles, bandeja trasera, o piezas de seguridad del colchón de aire.
- La instalación de esta unidad debe ser realizada en un lugar donde no estorbe la conducción. Si la unidad se sale de su posición debido a un choque y golpea a una persona o a alguna pieza de seguridad, puede causar o un accidente.
- Después de instalar el aparato, cerciórese de que los equipos eléctricos (luces de freno, intermitentes y limpiadores) funcionen normalmente.

## ▲ADVERTENCIA

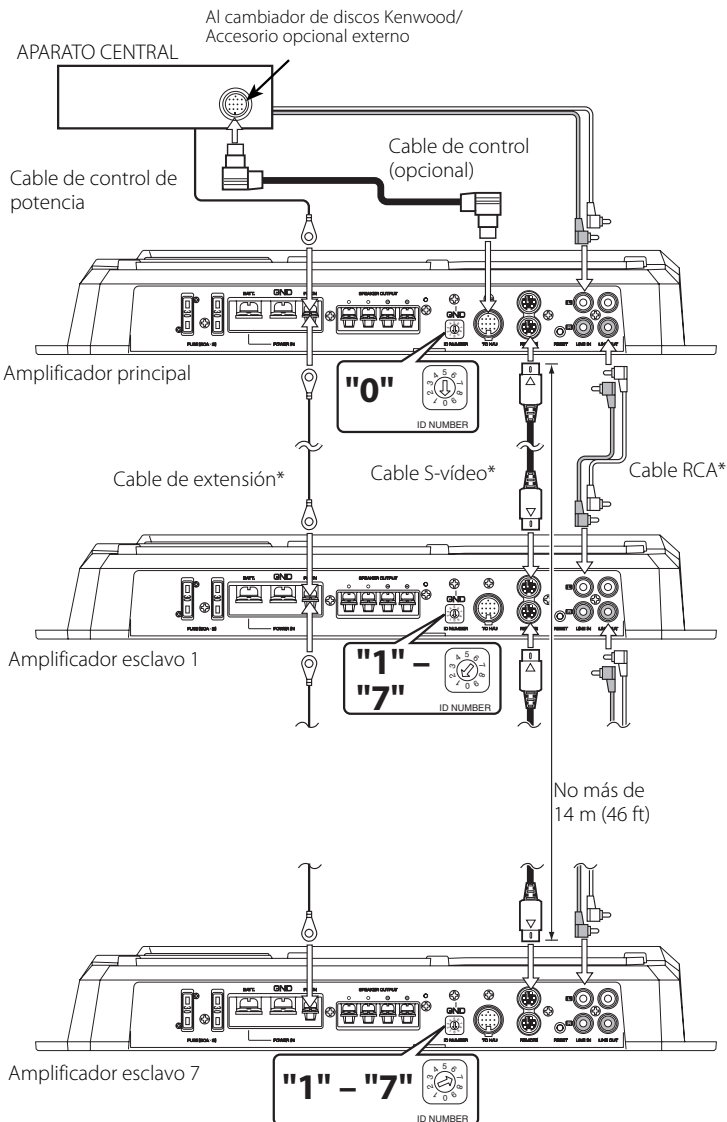
Para evitar incendios producidos por cortocircuitos en el cableado, conecte un fusible o cortacircuito entre la batería y los terminales de la batería.

## ▲PRECAUCIÓN

- Si el sonido no sale normalmente, desconecte inmediatamente la alimentación y compruebe las conexiones.
- No se olvide de desconectar la alimentación antes de cambiar el ajuste de cualquier conmutador.
- Si el fusible se quema, compruebe que no haya un cortocircuito en los cables, luego cambie el fusible por uno que tenga el mismo amperaje.
- Verifique que ninguno de los cables o conectores que están sin conectar se encuentren tocando la carrocería del automóvil. No retire las tapas de los cables o conectores que están sin conectar para evitar de que se produzcan cortocircuitos.
- Conecte los cables del altavoz a los conectores adecuados del altavoz separadamente. La puesta en contacto de terminales de altavoces distintos, o la conexión como toma de tierra de los terminales del altavoz al coche del automóvil, pueden causar daños a la unidad.
- Después de la instalación, compruebe que las lámparas del freno, luces de destello y limpiaparabrisas funcionaran correctamente.



## ■ Conexión LX-Bus



Ajuste a "0" el número de ID del amplificador principal.

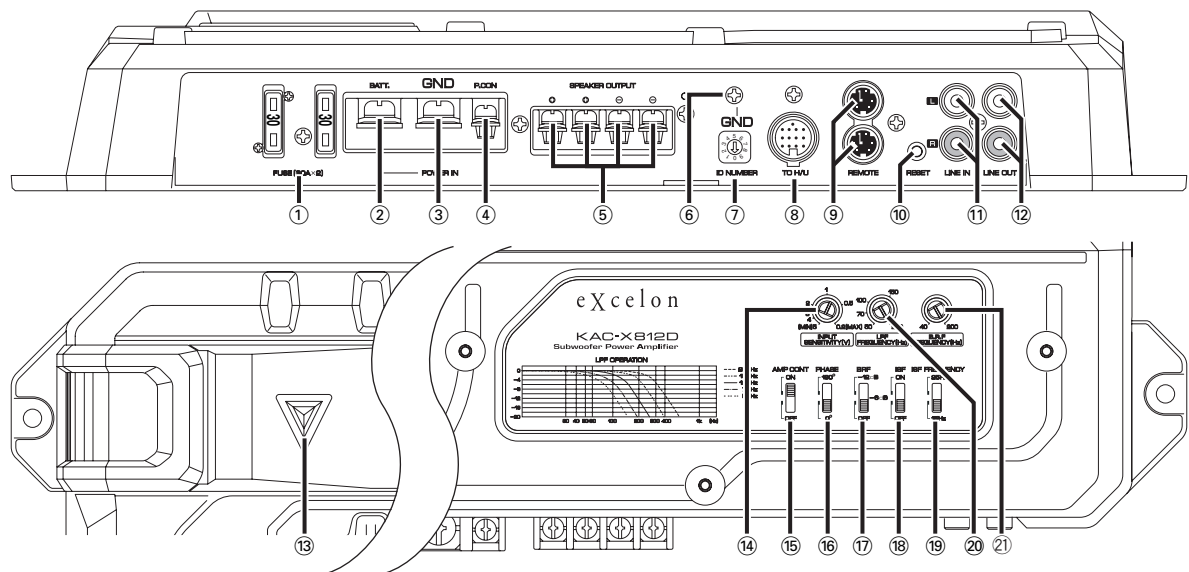
Es posible conectar un máximo de 7 amplificadores secundarios. Asígneles números ID del "1" al "7" y no los duplique.

## ▲PRECAUCIÓN

- No conecte 2 amplificadores principales a la unidad central. De lo contrario, no será posible controlar todos los amplificadores conectados a la unidad central.
- El LX AMP y la unidad de sensor no se pueden conectar simultáneamente. Deberá conectarlos uno a la vez.

## NOTA

- La longitud total de los cables S-vídeo que es posible conectar es de 14 metros (46 ft) como máximo. Si la longitud del cable sobrepasa este límite, no será posible controlar amplificadores desde la unidad central.
- Si asigna el mismo número ID a varios amplificadores, estos no funcionarán bien cuando los controle desde la unidad central.
- Si asigna el número ID "8" o "9" a un amplificador secundario, este no será reconocido por la unidad central.



① **FUSIBLE (30 A x 2)**

② **Terminal BATT (alimentación)**

③ **Terminal GND (tierra)**

④ **Terminal del control de corriente (P.CON)**

Controla la CONEXIÓN / DESCONEXIÓN de la unidad.

**NOTA**

Controla la potencia de la unidad. Asegúrese de conectarlo con todos los sistemas.

⑤ **Terminales SPEAKER OUTPUT**

Como este aparato acepta altavoces con una impedancia mínima de 1 ohmio, conecte altavoces con una impedancia de 1 ohmio o más a estos terminales.

**▲PRECAUCIÓN**

La entrada nominal de los altavoces no deberá ser inferior a la salida máxima del amplificador. De lo contrario podría producirse una falla en el funcionamiento.

⑥ **Terminal GND (alambre de tierra del cable RCA)**

Cuando utilice un cable RCA con cable de masa incorporado, conecte el cable de masa a esta terminal.

⑦ **Interruptor ID NUMBER**

Ajusta un número de identificación de amplificador (ID) a ser utilizado para control del amplificador desde la unidad central.

Asigna el número ID "0" a un amplificador cuando lo utiliza como amplificador principal.

Asigna los números de ID del "1" al "7" a los amplificadores cuando los utiliza como amplificadores secundarios. No duplique estos números.

**NOTA**

Después de que haya cambiado los números ID de los amplificadores, desactive el interruptor POWER de la unidad central y actívelo nuevamente.

⑧ **Terminal TO H/U**

Después de que haya ajustado el amplificador principal, conéctelo a la unidad central.

⑨ **Terminales REMOTE**

Se utilizan para conectar los amplificadores secundarios.

⑩ **Botón RESET**

Reposiciona el microprocesador de la unidad.

**NOTA**

Los valores que ha ajustado con el control del amplificador no se han restablecido.

⑪ **Terminal LINE IN (entrada de línea)**

⑫ **Tomas de salida de línea (LINE OUT)**

La señal de entrada del terminal de entrada de línea es la salida.

⑬ **Indicador de alimentación**

Se ilumina cuando se activa el interruptor POWER.

El indicador parpadea durante varios segundos cuando se activa el interruptor POWER o cuando se activa la función de protección.

⑭ **Control INPUT SENSITIVITY (sensibilidad de entrada)**

Ajustar este control de acuerdo con el nivel de presalida de la unidad central conectada a este amplificador.

**NOTA**

Referir a <Especificaciones> del manual de instrucciones de la unidad central con respecto al nivel de presalida.

⑮ **Interruptor AMP CONT (control de amplificador)**

Utilizado para derivar el circuito cuando no se tiene control del sonido con el control del amplificador.

• **Posición ON:**

Le permite controlar el sonido con el control del amplificador.

• **Posición OFF:**

Modifica el circuito de control del amplificador.

**NOTA**

Se puede controlar el amplificador incluso en posición de apagado.

⑯ **Conmutador PHASE**

Cuando este interruptor se coloca en la posición "180°" (Inversa) la fase de salida del altavoz se invierte.

⑰ **Interruptor BRF (filtro de supresión de banda)**

Cuando este conmutador se ponga en "-6dB"/"-12dB", las frecuencias de la banda ajustada con el control "B.R.F. FREQUENCY" son rechazadas y eliminadas. El rechazo de bandas permite reducir la resonancia en el interior del compartimiento del vehículo y las ondas estacionarias. (Véase página 24)

⑱ **Interruptor ISF (filtro infrasonico)**

Cuando este conmutador esté en "ON", las frecuencias inaudibles y ultrabajas que se encuentren por debajo de la frecuencia ajustada con el conmutador "ISF FREQUENCY" serán cortadas. Esto mejorará la reproducción de los altavoces al eliminar las oscilaciones innecesarias que no se convierten en sonido.

⑲ **Interruptor ISF FREQUENCY**

Conmuta la frecuencia de corte cuando el conmutador "ISF" se pone en "ON".

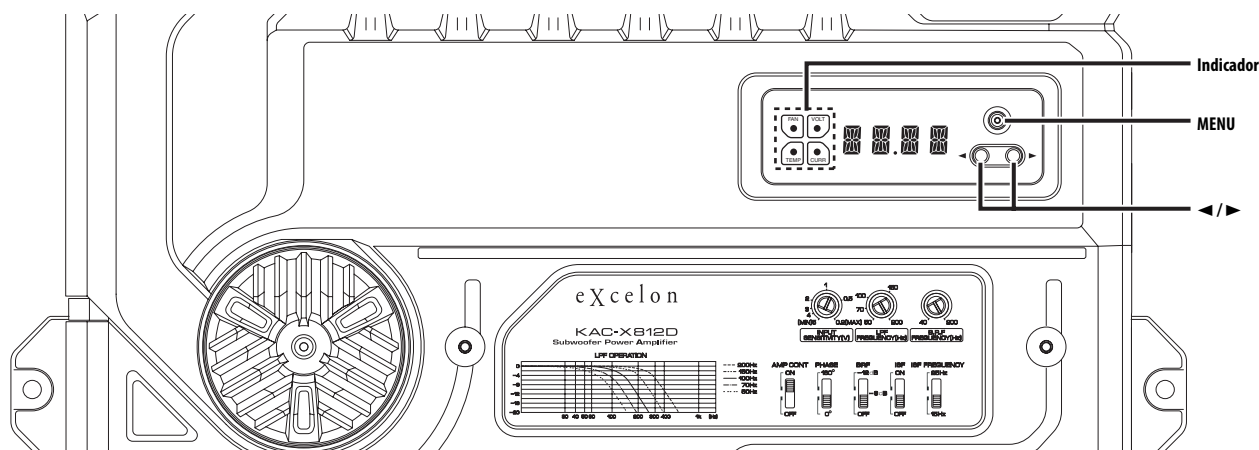
⑳ **Control LPF (filtro de paso bajo) FREQUENCY**

Este control ajusta la salida de la banda de frecuencia de esta unidad.

㉑ **Control B.R.F. FREQUENCY**

Ajusta la frecuencia de rechazo cuando el conmutador "BRF" está en "-6dB"/"-12dB". (Véase página 24)

# Sistema de control del amplificador



## Modo de visualización

Es posible configurar los elementos de ajuste de la siguiente manera:

### 1 Acceda al modo de menú

Pulse el botón [MENU].

Se visualiza "VOLT"/"CURR"/"TEMP"/"FAN".

### 2 Seleccione un elemento de visualización.

Pulse el botón [◀] o [▶].

Los elementos de visualización cambian en la frecuencia siguiente.

Visualización	Información
"VOLT"	Indica la tensión de fuente (V).
"CURR"	Indica el consumo actual (A).
"TEMP"	Indica la temperatura interna (°F/°C).
"FAN"	Indica la velocidad de rotación del ventilador de refrigeración en 3 etapas: "FAST", "SLOW" o "OFF".

### 3 Salir del modo de menú

Pulse el botón [MENU] durante al menos 1 segundo.

#### NOTA

Cuando la temperatura interna sea de -22°F/-30°C o menos, se visualizará "-22F"/"-30C".

## Separación del control del amplificador

Es posible controlar los sonidos utilizando la función de control del amplificador de la unidad.

### 1 Acceda al modo de menú

Pulse el botón [MENU].

### 2 Seleccione el elemento del menú

Pulse el botón [MENU].

Los elementos de configuración se visualizan primero durante 1 segundo aproximadamente, luego se visualizarán los valores ajustados.

### 3 Ajuste el elemento del menú

Pulse el botón [◀] o [▶].

Los elementos de configuración y los valores de ajuste cambian de la siguiente manera.

Visualización	Margen	Elemento de ajuste
"VOLT"/"CURR"/"TEMP"/"FAN"		Para obtener información sobre el método de funcionamiento, remítase a la sección <Modo de visualización>.
"BASS"	60/80/100/200 (Hz)	Frecuencia central de graves
"BA G"	B-15 — B+15 (dB)	Nivel de graves
"BA Q"	Q1.00/Q1.25/Q1.50/Q2.00	actor Q de graves
"EXT"	ON/OFF	Cuando la extensión de graves se activa, la respuesta de baja frecuencia se extiende en un 20%.
"VOL"	-20 — 0 (dB)	Compensación de volumen
"TEMP"	FAHR (fahrenheit) o CELS (centígrados)	Es posible seleccionar para el modo de visualización, la temperatura en grados fahrenheit o centígrados.
"DEFA"		Para el método de funcionamiento remítase a <Ajustes de fábrica>
"AMP"	0 — 7	El número ID que ha asignado se visualiza.

### 4 Salir del modo de menú

Pulse el botón [MENU] durante al menos 1 segundo.

#### NOTA

Cuando mantiene pulsado el botón [▶] 3 segundos o más durante la visualización del número de ID ("AMP"), se visualizará el mensaje "MEMO" y será posible registrar los valores que ha ajustado con el control del amplificador. Para recuperar los valores de control del amplificador, mantenga pulsado el botón [◀] 3 segundos o más durante la visualización del número de ID ("AMP"). Luego, es posible recuperar el valor cuando se visualiza el mensaje "LOAD".

## Ajustes de fábrica

Reposiciona todos los valores que ha ajustado a los valores iniciales (de fábrica).

### 1 Acceda al modo de menú

Pulse el botón [MENU].

### 2 Seleccione el modo de ajuste de fábrica

Pulse el botón [MENU].

Seleccione la visualización "DEFA".

### 3 Reposiciona el valor de ajuste de fábrica.

Pulse el botón [▶] durante al menos 2 segundos.

Se visualiza el mensaje "----", y el valor se inicializa.

### 4 Salir del modo de menú

Pulse el botón [MENU] durante al menos 1 segundo.

#### NOTA

El valor de compensación del volumen no puede inicializarse.

## Visualización de demostración

Los elementos "VOLT"/"CURR"/"TEMP"/"FAN" se visualizan repetidamente.

Pulse el botón [MENU] durante al menos 2 segundos.

El indicador parpadea en el modo de demostración.

### Cancelación del modo de demostración

Pulse cualquier botón para cancelar el modo de demostración.

## Control de un amplificador desde la unidad central

Es posible controlar el sonido al controlar los amplificadores desde la unidad central.

### 1 Acceda al modo de control AMP

Seleccione el modo de control AMP siguiendo el procedimiento <Control AMP> explicado en el manual de funcionamiento de la unidad central.

#### NOTA

Utilice el elemento de ajuste y los botones de operación del valor siguiendo las instrucciones dadas en el manual de funcionamiento de la unidad central.

### 2 Seleccione un número de amplificador a operar

Opere el elemento de ajuste deseado con la unidad central.

Seleccione la visualización "AMP NO"/"AMP CONTROL NO".

#### NOTA

Cuando la unidad central está en el modo STANDBY, se visualizará el mensaje "AMP OFF" y no será posible operar los elementos de ajuste.

### 3 Ajuste un número de ID del amplificador que vaya a operar

Ajuste un número de ID de amplificador en la unidad central.

Es posible seleccionar un número de ID del "0" al "7" de amplificadores conectados.

### 4 Seleccione el elemento de control AMP para ajuste

Seleccione el elemento de ajuste deseado en la unidad central.

### 5 Ajuste el elemento de control AMP

Es posible ajustar un valor de cada elemento en la unidad central.

Los elementos de ajuste y sus valores cambian y se visualizan de la siguiente manera.

Visualización	Margen	Elemento de ajuste
"VOLT"/"CURR"/"TEMP"/"FAN"		Se visualiza el estado del amplificador.
"VOLT"		Indica la tensión de fuente (V).
"CURR"		Indica el consumo actual (A).
"TEMP"		Indica la temperatura interna (°F/°C).
"FAN"		Indica la velocidad de rotación del ventilador de refrigeración en 3 etapas: "FAST," "SLOW" o "OFF".
"BAS F"/"BASS FREQ"	60/80/100/200 (Hz)	Frecuencia central de graves
"BAS G"/"BASS GAIN"	-15 — +15 (dB)	Nivel de graves
"Q FA"/"Q FACTOR"	Q1.00/Q1.25/Q1.50/Q2.00	actor Q de graves
"EXT"/"BASS EXT"	ON/OFF	Cuando la extensión de graves se activa, la respuesta de baja frecuencia se extiende en un 20%.
"VOL"/"VOL OFFSET"	-20 — 0 (dB)	Compensación de volumen
"AMP NO"/ "AMP CONTROL NO"	0 — 7	Seleccione un número de ID del amplificador que utilice.

### 6 Salir del modo de control AMP

Libera el modo de control del amplificador en la unidad central.

#### NOTA

Cuando haya controlado los graves o agudos del sonido utilizando el ecualizador o la función DSP de la unidad central, y cuando amplifique la misma frecuencia que la controlada por el control del amplificador, el sonido puede estar distorsionado debido a un desbordamiento de entrada.

## Mensajes que se pueden visualizar en la unidad central

Cuando seleccione un elemento con el control del amplificador, se visualizará un estado de error del amplificador en la unidad central.

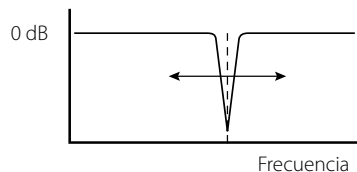
Visualización	Información
"AMP × E-01"/"AMP × COND E-01"	Cuando el interior de la unidad se recalienta. Cuando la unidad ha fallado y se genera tensión de corriente directa hacia la salida del altavoz.
"AMP × E-02"/"AMP × COND E-02"	<b>NOTA</b> Desactive el interruptor POWER y libere la protección. Si el mensaje de error continua, consulte al distribuidor Kenwood.
"AMP × E-03"/"AMP × COND E-03"	Cuando el cable del altavoz está en corto. Cuando la salida del altavoz hace contacto con la masa del vehículo.
"AMP OFF"	Cuando utilice el control del amplificador en el modo en espera:

#### NOTA

El número "×" en la pantalla corresponde el número de ID del amplificador.

## Filtro de rechazo de banda (B.R.F.)

Las propiedades acústicas del compartimiento del vehículo tienden a causar oscilaciones debido a la resonancia o falta de claridad del sonido causada por las ondas estacionarias en ciertas frecuencias. El filtro de rechazo de banda puede resolver los problemas de resonancia o sonido poco claro causando una influencia mínima en la calidad del sonido, porque sólo elimina las frecuencias que causan la resonancia o las ondas estacionarias.



### ■ Método de ajuste:

El filtro de rechazo de banda corta solamente las frecuencias limitadas para minimizar la influencia en la calidad del sonido. Por lo tanto, si efecto no se puede obtener a menos que las frecuencias de corte se ajusten con precisión a las frecuencias que causan la resonancia y las ondas estacionarias. El filtro de rechazo de banda se puede ajustar según lo que usted sienta en sus oídos, pero, para hacer el ajuste, nosotros recomendamos utilizar un generador de señales o un analizador de espectro capaz de realizar una medición precisa.

#### • Ajuste utilizando un generador de señales:

Dé salida a una onda sinusoidal, varíe si frecuencia para encontrar las frecuencias a las que el compartimiento del vehículo resuena o aumenta el volumen (se producen ondas estacionarias), y ponga el control "B.R.F. FREQUENCY" en la posición en la que desaparezcan la resonancia y las ondas estacionarias.

#### • Ajuste utilizando un analizador de espectro:

Dé salida a ruido blanco (sonido en el que todas las frecuencias se encuentran a cierto nivel), encuentre la frecuencia de cresta en el analizador de espectro y ponga el control "B.R.F. FREQUENCY" en una posición en la que desaparezca la cresta observada en el analizador de espectro.

## Guía Sobre Localización De Averías

Lo que podría parecer una falla de funcionamiento de su unidad podría ser simplemente el resultado de un pequeño error de operación o de un defecto de conexión. Antes de acudir al servicio, verifique primero el siguiente cuadro sobre los problemas que se podrían presentar.

PROBLEMA	CAUSA POSIBLE	SOLUCION
<b>No hay sonido. (No hay sonido de un lado.) (Fusible fundido)</b>	<ul style="list-style-type: none"> <li>Los cables de entrada (salida) están desconectados.</li> <li>El circuito de protección puede estar activado.</li> <li>El volumen está demasiado alto.</li> <li>El cable del altavoz está cortocircuitado.</li> </ul>	<ul style="list-style-type: none"> <li>Conecte los cables de entrada (o salida).</li> <li>Compruebe las conexiones consultando &lt;Función de protección&gt;.</li> <li>Reemplace el fusible y utilice volumen bajo.</li> <li>Después de revisar el cable del altavoz y arreglar la causa del cortocircuito, reemplace el fusible.</li> </ul>
<b>El nivel de salida está muy bajo (o muy alto)</b>	<ul style="list-style-type: none"> <li>El control de ajuste de sensibilidad de entrada no está en la posición correcta.</li> </ul>	<ul style="list-style-type: none"> <li>Ajuste bien el control consultando en &lt;Controles&gt;.</li> </ul>
<b>La calidad del sonido es mala. (El sonido está distorsionado.)</b>	<ul style="list-style-type: none"> <li>Los cables de los altavoces están conectados con las polaridades ⊕ / ⊖ invertidas.</li> <li>Un cable de altavoz está pellizcado por un tornillo de la carrocería del automóvil.</li> <li>Los conmutadores pueden estar mal ajustados.</li> </ul>	<ul style="list-style-type: none"> <li>Conéctelos correctamente asegurándose bien de cuáles son los terminales ⊕ y ⊖.</li> <li>Vuelva a conectar los cables de los altavoces de forma que no queden pellizcados.</li> <li>Ponga bien los conmutadores consultando &lt;Controles&gt;.</li> </ul>
<b>El sonido no cambia aún cuando lo ha modificado con el control del amplificador.</b>	<ul style="list-style-type: none"> <li>El AMP CONT se ha puesto en "OFF".</li> </ul>	<ul style="list-style-type: none"> <li>Active el AMP CONT "ON".</li> </ul>
<b>No es posible modificar el valor de ajuste en el control del amplificador de la unidad.</b>	<ul style="list-style-type: none"> <li>Se está utilizando el control AMP de la unidad central.</li> </ul>	<ul style="list-style-type: none"> <li>Libere el modo de control AMP de la unidad central.</li> </ul>
<b>El control del amplificador no se puede operar desde la unidad central.</b>	<ul style="list-style-type: none"> <li>Se utiliza un número de ID incorrecto para el amplificador principal.</li> <li>El número de ID del amplificador se ha modificado.</li> </ul>	<ul style="list-style-type: none"> <li>Ajuste siempre el número de ID del amplificador principal a "0".</li> <li>Después de que haya modificado el número de ID de un amplificador, desactive primero el interruptor POWER de la unidad central, y luego actívelo nuevamente.</li> </ul>



# Especificaciones

## Especificaciones sujetas a cambios sin previo aviso.

### Sección de audio

Máxima potencia de salida.....	1600 W
Salida de potencia nominal (+B = 12,0 V)	
(4 Ω) (20 Hz – 200 Hz, 0,5 % de distorsión armónica total) .....	300 W × 1
(2 Ω) (100 Hz, 0,5 % de distorsión armónica total).....	600 W × 1
Salida de potencia nominal (+B = 14,4 V)	
(4 Ω) (20 Hz – 200 Hz, 0,5 % de distorsión armónica total) .....	400 W × 1
(2 Ω) (100 Hz, 0,5 % de distorsión armónica total).....	800 W × 1
(4 Ω) (100 Hz, 1,0 % de distorsión armónica total).....	1000 W × 1
Frecuencia del filtro pasa bajos (24 dB/octava) .....	50 – 200 Hz (variable)
Frecuencia del filtro infrasonico (24 dB/octava) .....	OFF / 15 / 25 Hz
Inversor de fase.....	0° (normal) / 180° (inversa)
Frecuencias del filtro de rechazo de banda .....	40 – 200 Hz (variable)
Respuesta de frecuencia (+0, -3 dB).....	5 Hz – 200 Hz
Relación señal a ruido .....	100 dB
Sensibilidad (salida nominal) (MAX.) .....	0,2 V
(MIN.) .....	5,0 V
Impedancia de entrada .....	10 kΩ

### Sección de control de amplificador (ecualizador)

Frecuencia de bajos.....	60 / 80 / 100 / 200 Hz
Nivel de bajos .....	-15 — +15 dB
Factor Q de bajos.....	1,00 / 1,25 / 1,50 / 2,00

### General

Tensión de funcionamiento .....	14,4 V (margen de 11 – 16 V permitido)
Consumo (+B = 12,0 V, 100 Hz, 10 % de distorsión armónica total, 4 Ω) .....	55 A
Dimensiones (Anch × Alt × Prof).....	386 × 61 × 259,5 mm
	15-3/16 × 2-3/8 × 10-3/16 inch
Tamaño de instalación (Anch × Alt × Prof) .....	386 × 61 × 265 mm
	15-3/16 × 2-3/8 × 10-3/8 inch
Peso .....	4,07 kg (8,97 lbs)

### CEA-2006

Salida de alimentación RMS (+B = 14,4 V)	
(4 Ω) (1,0 % THD+N) .....	533 W
(2 Ω) (1,0 % THD+N) .....	919 W
(1 Ω) (1,0 % THD+N) .....	1016 W
Potencia dinámica (+B = 14,4 V) .....	566 W
Regulación de salida (+B = 14,4 V).....	bajo 0,2 dB (4 Ω)
Relación señal a ruido .....	74 dBA (W/4 Ω)
(desvío).....	74 dBA (W/4 Ω)







---

# KENWOOD

## Free Manuals Download Website

<http://myh66.com>

<http://usermanuals.us>

<http://www.somanuals.com>

<http://www.4manuals.cc>

<http://www.manual-lib.com>

<http://www.404manual.com>

<http://www.luxmanual.com>

<http://aubethermostatmanual.com>

Golf course search by state

<http://golfingnear.com>

Email search by domain

<http://emailbydomain.com>

Auto manuals search

<http://auto.somanuals.com>

TV manuals search

<http://tv.somanuals.com>