

# KAC-5020

## INSTRUCTION MANUAL

Take the time to read through this instruction manual. Familiarity with installation and operation procedures will help you obtain the best performance from your new stereo power amplifier.

### For your records

Record the serial number, found on the back of the unit, in the spaces designated on the warranty card, and in the space provided below. Refer to the model and serial numbers whenever you call upon your KENWOOD dealer for information or service on this product.

Model KAC-5020 Serial number \_\_\_\_\_

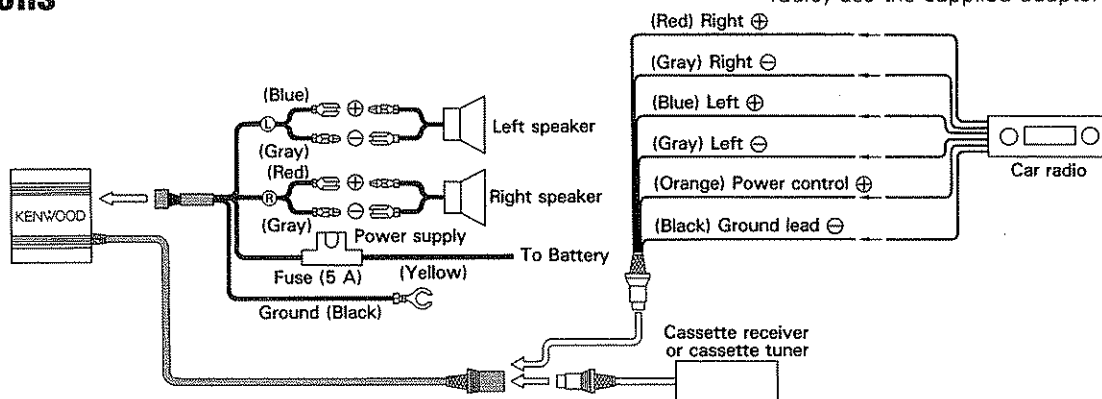
### Precautions

- The power source of this unit is exclusively DC 12 V,

negative ground. If you wish to mount the unit on a vehicle with DC 24 V, please consult your appointed KENWOOD dealer.

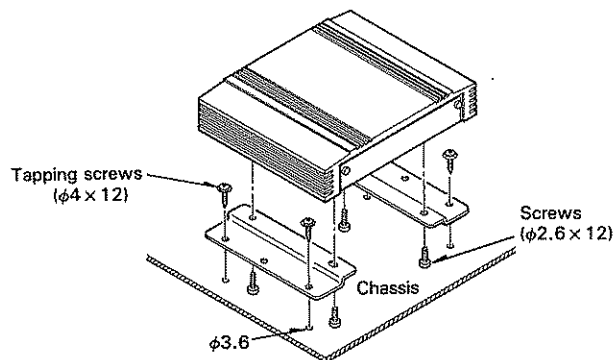
- Do not place the stereo power amplifier in a place where the stereo power amplifier may be exposed to direct sun light, heat or moisture. Be careful that metal objects and water do not enter the set.
- If you have difficulty in installing the set in your car, please contact your KENWOOD dealer.
- Before beginning to install the set, be sure to remove the minus terminal of the battery to prevent a short circuit. When you have completed installation, wiring, and checking for errors, reconnect the battery's minus terminal.

## Connections



- To connect the unit to the car radio, use the supplied adaptor.

## Installation



- When installing to the car, install the unit securely for safety driving.

## Specifications

Specifications subject to change without notice

### Main amp section

Maximum power output (1 kHz, 4 Ω).....	25 W + 25 W
Power output (10% THD, 1 kHz, 4 Ω).....	20 W + 20 W
(1% THD, 20 Hz - 30 kHz, 4 Ω).....	15 W + 15 W
Frequency response (-3 dB).....	5 Hz - 50 kHz
Total harmonic distortion (5 W, 1 kHz, 4 Ω).....	0.03% Max.
Input sensitivity (at rated output) Max.....	0.1 V
Min.....	0.01 V

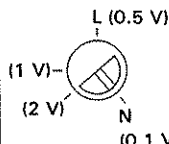
### Caution

- As the unit uses BTL output, always connect the gray speaker wires to the ⊖ terminals of the speaker systems. Never let the gray speaker wires touch and never connect them to the chassis (ground). Do not let the speaker terminals come into contact with the chassis (ground). Insulate any unused output wire with vinyl tape to prevent a short circuit.
- Be sure to connect the power lead (red) after all other wiring has been completed and checked.

### Input sensitivity control

The input sensitivity control adjusts the input sensitivity within a range of 0.1 V to 2.0 V continuously, enabling expansion with various systems.

Set the input sensitivity control to N (Normal, 0.1 V) position for KENWOOD cassette receiver or cassette tuner. When the output (0.1 V) voltage selector of the cassette receiver or cassette tuner is set to 1 V, set this to L (Low, 0.5 V).



Signal-to-noise ratio (IEC-A).....	100 dB
Input impedance.....	10 kΩ
Damping factor (1 kHz).....	More than 150

### General

Operating voltage (GND).....	14.4 V (11 - 16 V)
Current consumption Max.....	5 A
Dimensions (W x H x D).....	126 x 33 x 110 mm
(5" x 1 - 5/16" x 4 - 5/16")	
Weight.....	0.9 kg (2.0 lb)

## Free Manuals Download Website

<http://myh66.com>

<http://usermanuals.us>

<http://www.somanuals.com>

<http://www.4manuals.cc>

<http://www.manual-lib.com>

<http://www.404manual.com>

<http://www.luxmanual.com>

<http://aubethermostatmanual.com>

Golf course search by state

<http://golfingnear.com>

Email search by domain

<http://emailbydomain.com>

Auto manuals search

<http://auto.somanuals.com>

TV manuals search

<http://tv.somanuals.com>