

KENWOOD

KAC-X1R KAC-PS1D

MONO DIGITAL POWER AMPLIFIER ▶ page 2-8

INSTRUCTION MANUAL

AMPLIFICATEUR MONO NUMÉRIQUE ▶ page 10-16

MODE D'EMPLOI

AMPLIFICADOR DE POTENCIA DIGITAL MONOFÓNICO ▶ página 18-24

MANUAL DE INSTRUCCIONES

Kenwood Corporation



Take the time to read through this instruction manual. Familiarity with installation and operation procedures will help you obtain the best performance from your new power amplifier.

For your records

Record the serial number, found on the back of the unit, in the spaces designated on the warranty card, and in the space provided below. Refer to the model and serial numbers whenever you call upon your Kenwood dealer for information or service on the product.

Model KAC-X1R/ KAC-PS1D Serial number _____

US Residence Only

Register Online

Register your Kenwood product at
www.kenwoodusa.com

Safety precautions

▲WARNING

To prevent injury or fire, take the following precautions:

- Mounting and wiring this product requires skills and experience. For safety's sake, leave the mounting and wiring work to professionals.
- When extending the battery, or ground wires, make sure to use automotive-grade wires or other wires with the range of 10 mm² (AWG 8) to 25 mm² (AWG 4) to prevent wire deterioration and damage to the wire coating.
- To prevent a short circuit, never put or leave any metallic objects (such as coins or metal tools) inside the unit.
- If the unit starts to emit smoke or strange smells, turn off the power immediately and consult your Kenwood dealer.
- Do not touch the unit during use because the surface of the unit becomes hot and may cause burns if touched.

▲CAUTION

To prevent damage to the machine, take the following precautions:

- Be sure the unit is connected to a 12V DC power supply with a negative ground connection.
- Do not open the top or bottom covers of the unit.
- Do not install the unit in a spot exposed to direct sunlight or excessive heat or humidity. Also avoid places with too much dust or the possibility of water splashing.
- When replacing a fuse, only use a new one with the prescribed rating. Using a fuse with the wrong rating may cause your unit to malfunction.
- To prevent a short circuit when replacing a fuse, first disconnect the wiring harness.

NOTE

- If you experience problems during installation, consult your Kenwood dealer.
- If the unit does not seem to be working right, consult your Kenwood dealer.

FCC WARNING

This equipment may generate or use radio frequency energy. Changes or modifications to this equipment may cause harmful interference unless the modifications are expressly approved in the instruction manual. The user could lose the authority to operate this equipment if an unauthorized change or modification is made.

FCC NOTE

This equipment has been tested and found to comply with the limits for a Class B digital device, pursuant to Part 15 of the FCC Rules. These limits are designed to provide reasonable protection against harmful interference in a residential installation. This equipment may cause harmful interference to radio communications, if it is not installed and used in accordance with the instructions. However, there is no guarantee that interference will not occur in a particular installation. If this equipment does cause harmful interference to radio or television reception, which can be determined by turning the equipment off and on, the user is encouraged to try to correct the interference by one or more of the following measures:

- Reorient or relocate the receiving antenna.
- Increase the separation between the equipment and receiver.
- Connect the equipment into an outlet on a circuit different from that to which the receiver is connected.
- Consult the dealer or an experienced radio/TV technician for help.

NOTE

This Class B digital apparatus complies with Canadian ICES-003.

Information on Disposal of Old Electrical and Electronic Equipment (applicable for EU countries that have adopted separate waste collection systems)



Products with the symbol (crossed-out wheeled bin) cannot be disposed as household waste. Old electrical and electronic equipment should be recycled at a facility capable of handling these items and their waste byproducts. Contact your local authority for details in locating a recycle facility nearest to you. Proper recycling and waste disposal will help conserve resources whilst preventing detrimental effects on our health and the environment.

This Product is not installed by the manufacturer of a vehicle on the production line, nor by the professional importer of a vehicle into an EU Member State.

Cleaning the unit

If the front panel gets dirty, turn off the power and wipe the panel with a dry silicon cloth or soft cloth.

▲CAUTION

Do not wipe the panel with a hard cloth or a cloth dampened by volatile solvents such as paint thinner and alcohol. They can scratch the surface of the panel and/or cause the indicator letters to peel off.

To prevent battery rise

When the unit is used in the ACC ON position without turning the engine ON, it depletes the battery. Use it after starting the engine.

Protection function

There is a Protection function installed in the unit to protect the unit and speakers from various problems. When Protection operates, the display informs you of the condition.

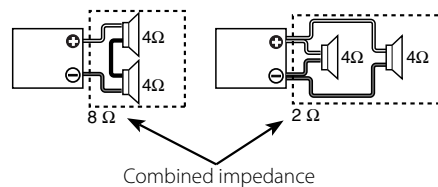
Display	Informations
"E-01"	When the inside of the unit is overheating. When the unit has failed and direct current voltage is generated to the speaker's output.
"E-02"	NOTE Turn the power OFF and release the protection. If the "E-02" code does not disappear, contact your Kenwood dealer.
"E-03"	When the speaker cord is shorted. When the speaker output is in contact with the vehicle ground.
"E-99"	When a system error occurs. Press the Reset button. If the "E-99" code does not disappear, contact your Kenwood dealer.
"VOLT" display is blinked.	When voltage gets out of operation range.

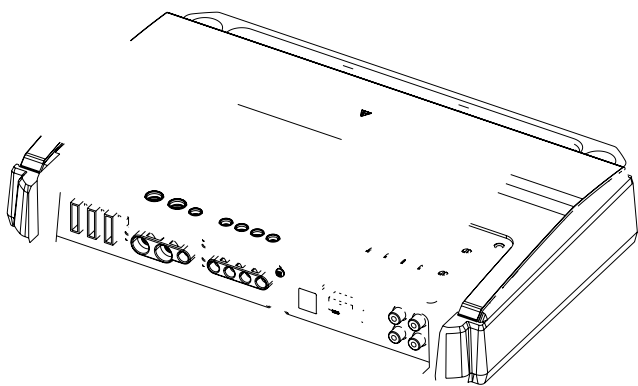
Wiring

- Take the battery wire for this unit directly from the battery. If it's connected to the vehicle's wiring harness, it can cause blown fuses etc.
- If a buzzing noise is heard from the speakers when the engine is running, connect a line noise filter (optional) to each of the battery wire.
- Do not allow the wire to directly contact the edge of the iron plate by using Grommets.
- Connect the ground wire to a metal part of the car chassis that acts as an electrical ground passing electricity to the battery's negative ⊖ terminal. Do not turn the power on if the ground wire is not connected.
- Be sure to install a protective fuse in the power cord near the battery. The protective fuse should be the same capacity as the unit's fuse capacity or somewhat larger.
- For the power cord and ground, use a vehicle type (fireproof) power wiring cord with a current capacity greater than the unit's fuse capacity. (Use a power wiring cord with a diameter between 10 mm² (AWG 8) to 25 mm² (AWG 4).)
- When more than one power amplifier are going to be used, use a power supply wiring wire and protective fuse of greater current-handling capacity than the total maximum current drawn by each amplifier.

Speaker Selection

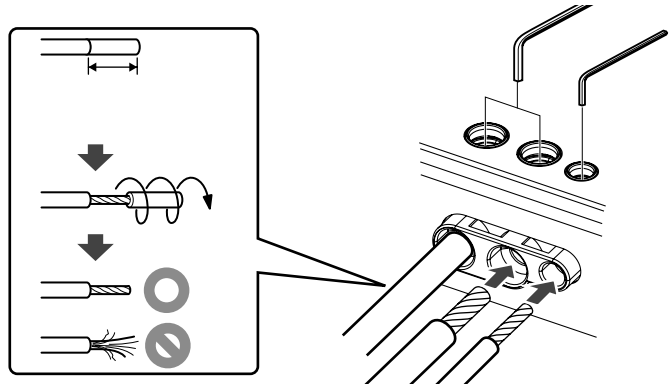
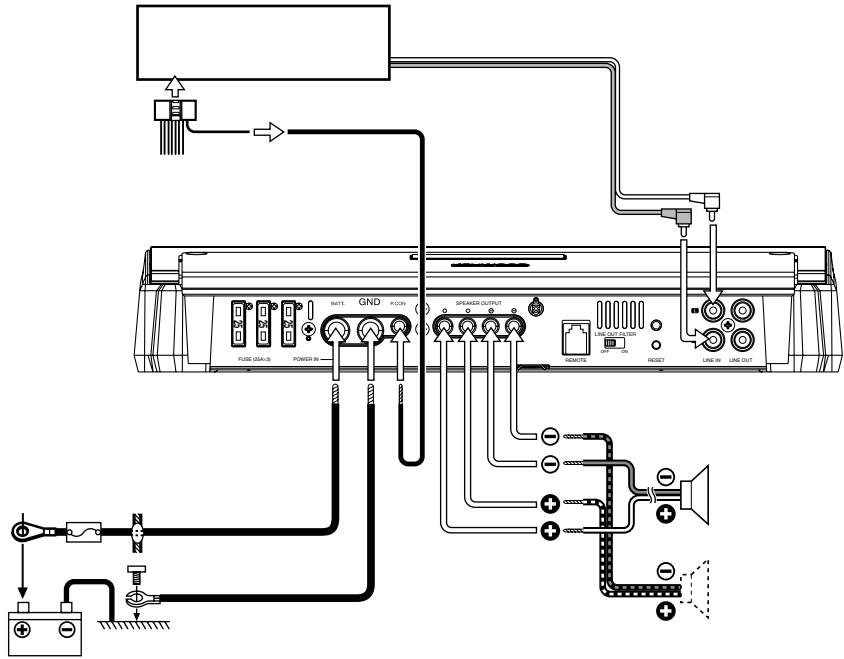
- The rated input power of the speakers that are going to be connected should be greater than the maximum output power (in Watts) of the amplifier. Use of speakers having input power ratings that are less than the output power of the amplifier will cause smoke to be emitted as well as damage.
- Use speakers that have an impedance of 1Ω or greater. When more than one set of speakers are going to be used, calculate the combined impedance of the speakers and then connect suitable speakers to the amplifier.



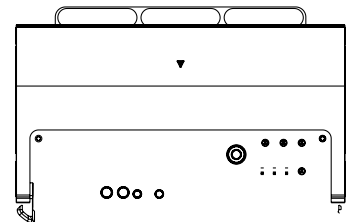
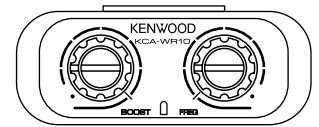


▲WARNING

To prevent fire caused by a short in the wiring, connect a fusible link or breaker nearby the battery's positive terminal.



BATT. GND PCON SPEAKER OUTPUT
POWER IN
LINE OUT FILTER
REMOTE ON RESET LINE IN LINE OUT



NOTE

The control panel locates under the dressing cover. Remove the cover to access to its controls for adjustment. (See page 3)

① **Fuse (25 A × 3)**

② **Battery terminal**

③ **Ground terminal**

④ **Power control terminal**

Controls the unit ON/OFF.

NOTE

Controls the unit power. Be sure to connect it with all the systems.

⑤ **Speaker output terminals**

As this unit accepts speakers with a minimum impedance of 1 ohm, connect speakers with 1-ohm or higher impedance to these terminals.

CAUTION

The rated input of the speakers should be no less than the maximum output of the amplifier. Otherwise malfunction may result.

⑥ **REMOTE terminal**

Connects the Remote cable.

NOTE

Use the Remote cable of the accessory.

⑦ **LINE OUT FILTER switch**

Changing over the audio signal output to the "LINE OUT" terminal.

ON position:

The audio signal adjusted when setting "LPF", "INPUT SENSIVITY" control and Bass boost is output to the "LINE OUT" terminal.

OFF position:

The audio signal input from the "LINE IN" terminal is output to the "LINE OUT" terminal (through output).

CAUTION

The volume of the audio output to the "LINE OUT" terminal is different in "ON" and "OFF" position. Remember this when changing the "LINE OUT FILTER" switch from "ON" to "OFF".

⑧ **RESET button**

Resets the microprocessor of the unit.

⑨ **LINE IN terminal**

⑩ **LINE OUT terminal**

The audio signal set with the "LINE OUT FILTER" switch will be output.

⑪ **Power indicator**

Lights when the POWER switch is turned On.

The indicator flashes several seconds when the POWER switch is turned On or when the Protection function is activated.

⑫ **Control knob**

Allows you to switch between and determine Menu System items.

⑬ **PHASE switch**

When this switch is set "180°" (Reverse) the speaker output phase is reversed.

⑭ **ISF (infrasonic filter) switch**

When this switch is set to "ON", the inaudible, ultralow frequencies below the frequency set with the "ISF FREQUENCY" control are cut off. This improves the reproduction performance of the speakers by eliminating unnecessary oscillations which will not become sound.

⑮ **ISF FREQUENCY control**

Sets the cutoff frequency when the "ISF" switch is set to "ON".

⑯ **BRF (band reject filter) switch**

When this switch is set to "-6dB"/"-12dB", frequencies in the band set with the "B.R.F. FREQUENCY" control are rejected and eliminated. The band rejection allows to reduce resonance inside the vehicle compartment and standing waves. (page 7)

⑰ **B.R.F. FREQUENCY control**

Sets the rejection frequency when the "BRF" switch is set to "-6dB"/"-12dB". (page 7)

⑱ **LPF(Low-Pass Filter) switch**

This switch allows to apply low-pass filtering to the speaker outputs.

• **OFF position:**

The entire bandwidth is output without filtering.

• **ON position:**

The filter outputs the band of lower frequencies than the frequency set with the "LPF FREQUENCY" control.

⑲ **INPUT SENSITIVITY control**

Set this control according to the pre-output level of the center unit connected with this unit.

NOTE

For the pre-output level, refer to the <Specifications> in the instruction manual of the center unit.

⑳ **LPF(Low-Pass Filter) FREQUENCY control**

Sets the cutoff frequency when the "LPF" switch is set to "ON".

㉑ **BOOST LEVEL (Bass boost level) control**

Sets the level by which the low frequency range should be boosted.

㉒ **Power indicator**

㉓ **FREQUENCY (Bass boost frequency) control**

Sets the center frequency around which the low frequency range should be boosted.

Menu System

Display mode

You can set up the display items as follows:

1 Select a display item

Turn the Control knob.

The display items are switched in the following sequence.

Display	Information
"VOLT"	Indicates the source voltage (V).
"CURRT"	Indicates the current consumption (A).
"TEMP"	Indicates the internal temperature (°F/°C).
"DEMO"	Allows you to set up the display demonstration.

NOTE

When the internal temperature is -22°F/-30°C or less, "-22F"/"-30C" is displayed.

Display Item Adjustment

You can adjust the display items as follows.

1 Select a display item

Turn the Control knob.

2 Adjust the display item

Press the Control knob.

The setup items and set values are switched as follows.

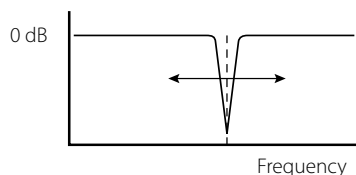
Display	Range	Adjustment Item
"TEMP"	---F (Fahrenheit) / ---C (Centigrade)	The Fahrenheit or Centigrade temperature unit can be selected for the Display mode.
"DEMO"	OFF/ ON	When set to ON, the "VOLT", "CURRT", and "TEMP" items are displayed repeatedly.

NOTE

Normally the setting listed at the top of the chart is the original setting.

Band Reject Filter

The acoustic properties of vehicle compartment tend to cause oscillation due to resonance or unclearness of sound due to standing waves at certain frequencies. The band reject filter can solve the problems of resonance or unclear sound with minimum influence on the sound quality because it eliminates only the frequencies causing resonance or standing waves.



■ Adjustment method:

The band reject filter cuts only the limited frequencies to minimize influence on the sound quality. Therefore, its effect cannot be obtained unless the cutoff frequencies are set accurately to the frequencies causing resonance and standing waves. The band reject filter can be adjusted according to what you feel through your ears, but we recommend the use of a signal generator or a spectrum analyzer with a fine frequency measurement capability for the adjustment.

• Adjustment using a signal generator:

Output a sine wave, vary its frequency to find the frequencies at which the vehicle compartment resonates or volume increases (standing waves occur), and set the B.R.F. FREQUENCY control to the position with which the resonance and standing waves disappear.

• Adjustment using a spectrum analyzer:

Output white noise (sound in which all frequencies are at a certain level), find the peak frequency observed on the spectrum analyzer, and set the B.R.F. FREQUENCY control to the position with which the peak observed on the spectrum analyzer disappears.

Troubleshooting Guide

What might appear to be a malfunction in your unit may just be the result of slight misoperation or miswiring. Before calling service, first check the following table for possible problems.

PROBLEM	POSSIBLE CAUSE	SOLUTION
No sound. (Blown fuse.)	<ul style="list-style-type: none"> Input (or output) cables are disconnected. Protection circuit may be activated. Volume is too high. The speaker cord is shorted. 	<ul style="list-style-type: none"> Connect the input (or output) cables. Check connections by referring to <Protection function>. Replace the fuse and use lower volume. After check the speaker cord and fixing the cause of the short, replace the fuse.
The output level is too small (or too large).	<ul style="list-style-type: none"> The input sensitivity adjusting control is not set to the correct position. 	<ul style="list-style-type: none"> Adjust the control correctly referring to <Controls>.
The sound quality is bad. (The sound is distorted.)	<ul style="list-style-type: none"> The speakers wire are connected with wrong \oplus / \ominus polarity. A speaker wire is pinched by a screw in the car body. The switches may be set improperly. 	<ul style="list-style-type: none"> Connect them properly checking the \oplus / \ominus of the terminals and wires well. Connect the speaker wire again so that it is not pinched by anything. Set switches properly by referring to <Controls>.
The Remote Controller does not function.	<ul style="list-style-type: none"> The Remote Cable is disconnected. 	<ul style="list-style-type: none"> Connect the Remote Cable securely and correctly.

Specifications

Specifications subject to change without notice.

CEA-2006

RMS Watts per channel @ 4 ohms, 1 % THD+N	600 W x 1
Signal to Noise Ratio (Reference: 1Watt into 4 ohms)	80 dB



Audio Section

Max Power Output	2400 W
Rated Power Output (+B = 12.0 V)	
(4 Ω) (20 Hz – 200 Hz, 0.5 % THD)	400 W x 1
(2 Ω) (100 Hz, 0.5 % THD)	800 W x 1
(1 Ω)	\geq 800 W x 1
Rated Power Output (+B = 14.4 V)	
(4 Ω) (20 Hz – 200 Hz, 0.5 % THD)	600 W x 1
(4 Ω) (DIN45324, +B = 14.4 V)	600 W x 1
(2 Ω) (100 Hz, 0.5 % THD)	1200 W x 1
(1 Ω)	\geq 1000 W x 1
Frequency Response (+0, -3 dB)	5 Hz – 400 Hz
Sensitivity (rated output) (MAX.)	0.2 V
(MIN.)	5.0 V
Input Impedance	10 k Ω
Signal to Noise Ratio	105 dB
Low Pass Filter Frequency (-24 dB/oct.)	40 – 200 Hz (variable)
Infrasonic Filter Frequency (-24 dB/oct.)	15 – 60 Hz (variable)
Band Reject Filter	OFF/ -6 dB/ -12 dB
Band Reject Filter Frequency	40 – 200 Hz (variable)
Phase Inverter	0° (Normal) / 180° (Reverse)
Bass Boost Circuit	0 – 18 dB (variable)
Bass Boost Frequency	40 – 100 Hz (variable)

General

Operating Voltage	14.4 V (11 – 16 V allowable)
Current Consumption	75 A
Installation Size (W x H x D)	340 x 60 x 225 mm
.....	13-3/8 x 2-3/8 x 8-7/8 inch
Weight	3.8 kg (8.38 lbs)

Précautions de sécurité

▲AVERTISSEMENT

Pour éviter toute blessure et/ou incendie, veuillez prendre les précautions suivantes:

- Le montage et le câblage de ce produit nécessite des compétences et de l'expérience. Pour des raisons de sécurité, laissez un professionnel effectuer le travail de montage et de câblage.
- Si vous prolongez un câble de batterie ou de masse, assurez vous d'utiliser un câble pour automobile ou un câble compris entre 10 mm² (AWG 8) et 25 mm² (AWG 4) afin d'éviter tout risque de détérioration ou d'endommagement du revêtement des câbles.
- Pour éviter les court-circuits, ne jamais mettre ou laisser d'objets métalliques (comme une pièce de monnaie ou un outil en métal) à l'intérieur de l'appareil.
- Si l'appareil commence à émettre de la fumée ou une odeur bizarre, mettez immédiatement l'appareil hors tension et consultez un revendeur Kenwood.
- Ne pas toucher l'appareil quand il est en service car la température de sa surface est suffisamment élevée pour provoquer des brûlures.

▲ATTENTION

Pour éviter tout dommage à l'appareil, veuillez prendre les précautions suivantes:

- Bien vérifier que l'appareil est raccordé à une source d'alimentation CC de 12 V avec raccordement de masse négative.
- N'ouvrez pas le couvercle supérieur ou inférieur de l'appareil.
- N'installez pas l'appareil dans un endroit exposé directement à la lumière du soleil, à une chaleur excessive ou à l'humidité. Evitez aussi les endroits trop poussiéreux et où l'appareil risque d'être éclaboussé.
- Lors du remplacement d'un fusible, utilisez seulement un fusible neuf avec la valeur indiquée. L'utilisation d'un fusible d'une valeur différente peut être la cause d'un mauvais fonctionnement de votre appareil.
- Pour éviter les courts-circuits lors du remplacement d'un fusible, déconnectez d'abord le faisceau de câbles.

REMARQUE

- Si vous rencontrez des problèmes pendant l'installation, consultez votre revendeur Kenwood.
- Si l'appareil semble ne pas fonctionner correctement, consultez votre revendeur Kenwood.

REMARQUE

Cet appareil numérique de la classe B est conforme à la norme NMB-003 du Canada.

Information sur l'élimination des anciens équipements électriques et électroniques (applicable dans les pays de l'Union Européenne qui ont adopté des systèmes de collecte sélective)



Les produits sur lesquels le pictogramme (poubelle barrée) est apposé ne peuvent pas être éliminés comme ordures ménagères. Les anciens équipements électriques et électroniques doivent être recyclés sur des sites capables de traiter ces produits et leurs déchets. Contactez vos autorités locales pour connaître le site de recyclage le plus proche. Un recyclage adapté et l'élimination des déchets aideront à conserver les ressources et à nous préserver des leurs effets nocifs sur notre santé et sur l'environnement.

Ce produit n'est pas installé par le constructeur d'un véhicule sur le site de production, ni par l'importateur professionnel d'un véhicule dans un Etat membre de l'UE.

Nettoyage de l'appareil

Si la surface de l'appareil devient sale, l'essuyer avec un chiffon au silicone ou un chiffon doux et sec après avoir éteint l'appareil.

▲ATTENTION

N'essuyez pas le panneau avec un tissu rugueux ou imprégné de dissolvant volatil comme un diluant à peinture ou de l'alcool. Il pourrait rayer la surface du panneau et/ou écailler les lettres d'information.

Comment éviter une élévation de la batterie

Lorsque l'unité est utilisée avec l'ACC sur ON, sans que le moteur ne soit allumé, cela décharge la batterie. Il est préférable de l'utiliser après avoir allumé le moteur.

Fonction de protection

L'unité dispose d'une fonction de protection destinée à la protéger ainsi que les haut-parleurs, contre différents dysfonctionnements. Lorsque la protection fonctionne, l'affichage vous informe de l'état.

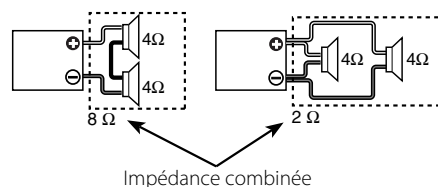
Affichage	Information
"E-01"	Lorsque l'intérieur de l'unité est surchauffé. Lorsque l'unité est en panne et que l'intensité du courant continu est transmise à la sortie haut-parleur.
"E-02"	REMARQUE Eteindre l'appareil puis ôter la protection. Si le code "E-02" ne disparaît pas, consultez la station technique la plus proche.
"E-03"	Lorsque le cordon du haut-parleur est en court-circuit. Lorsque la sortie haut-parleur est en contact avec la terre du véhicule.
"E-99"	Quand une erreur du système se produit. Appuyez sur la touche de réinitialisation. Si le code "E-99" ne disparaît pas, consultez la station technique la plus proche.
L'affichage "VOLT" clignote.	Lorsque la valeur de la tension est en dehors des limites de fonctionnement.

Câblage

- Pour cette unité, brancher le cordon de la batterie directement à la batterie. Si celui-ci est connecté à l'installation électrique du véhicule, l'installation peut disjoncter etc.
- Si un ronronnement se fait entendre dans les haut-parleurs lorsque le moteur tourne, fixer un filtre antiparasite de ligne (en option) au câble de la batterie.
- Utiliser un passe-câble de manière que le cordon ne soit pas en contact avec le tablier.
- Relier les fils de masse à une partie métallique du châssis du véhicule qui soit en mesure de jouer le rôle de masse électrique et donc de laisser passer le courant vers le pôle négatif (-) de la batterie. Ne pas mettre l'appareil sous tension si les fils de masse ne sont pas reliés.
- Assurez-vous de mettre en place un fusible protégeant le cordon d'alimentation situé près de la batterie. Ce fusible doit avoir un pouvoir de coupure égal ou légèrement supérieur à celui de l'unité.
- En ce qui concerne le cordon d'alimentation et la terre, il est conseillé d'utiliser un cordon d'alimentation électrique pour voiture (inflammable) dont l'intensité sera supérieure au pouvoir de coupure du fusible de l'unité. [Utiliser un cordon d'alimentation d'un diamètre compris entre 10 mm² (AWG 8) et 25 mm² (AWG 4)].
- Lorsque plus d'un amplificateur de puissance doivent être utilisés, utiliser un câble de câblage d'alimentation et un fusible de sécurité dont la limite de tension est supérieure au courant total maximum tiré par chaque amplificateur.

Sélection des haut-parleurs

- La puissance d'entrée nominale des haut-parleurs qui vont être connectés doit être supérieure à la puissance de sortie maximum (en Watts) de l'amplificateur. L'utilisation de haut-parleurs dont la puissance d'entrée nominale est inférieure à la puissance de sortie de l'amplificateur entraînera l'émission de fumée, ainsi que des dommages.
- Utiliser des haut-parleurs dont l'impédance est de minimum 1Ω. Lorsque plus d'un jeu de haut-parleurs va être utilisé, calculer l'impédance combinée des haut-parleurs et connecter ensuite les haut-parleurs appropriés à l'amplificateur.







■ **Multi-amplificateur avec connexion pour câble de commande à distance (Accessoire de KAC-PS1D. Accessoire optionnel pour KAC-X1R).**

Il est possible de contrôler simultanément le niveau d'amplification des basses du deuxième amplificateur auxiliaire et des amplificateurs suivants depuis l'amplificateur principal. Le volume de chaque amplificateur est déterminé par le réglage de l'amplificateur principal (sensibilité d'entrée, niveau d'amplification de la commande à distance).

Réglage de l'amplificateur principal

1. Réglez la sensibilité d'entrée (INPUT SENSITIVITY) sur la sortie de l'unité centrale à raccorder.
2. Réglez la fréquence LPF (filtre passe bas) et le niveau d'amplification des basses.
3. Mettez l'interrupteur de filtre de ligne de sortie ("LINE OUT FILTER") sur "ON".

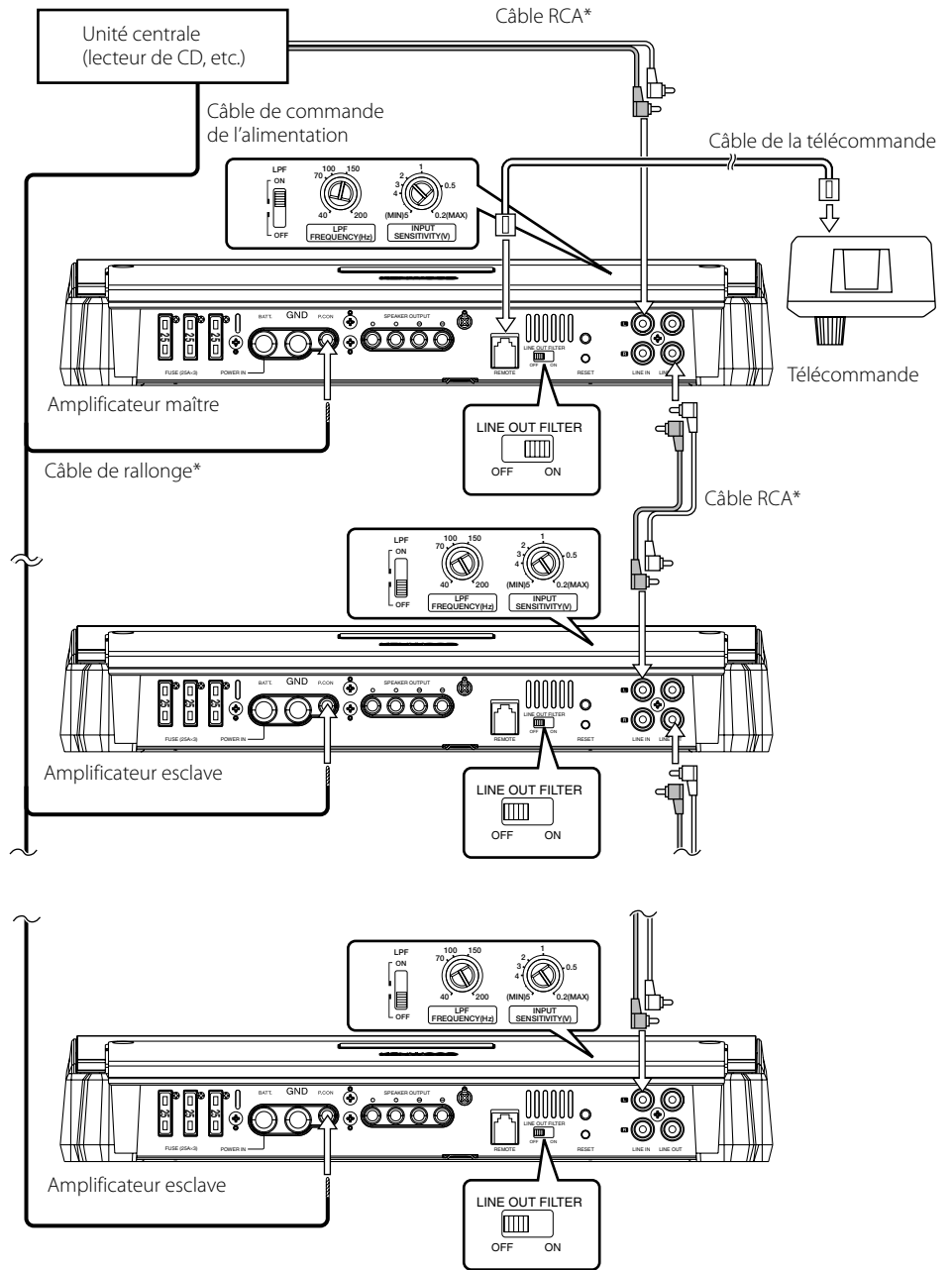
Réglage de l'amplificateur auxiliaire

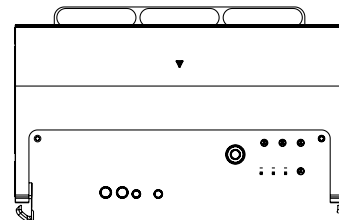
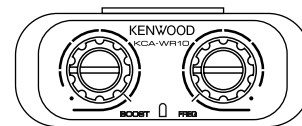
1. Mettez l'interrupteur de filtre de ligne de sortie ("LINE OUT FILTER") sur "OFF".
 2. Réglez la sensibilité d'entrée ("INPUT SENSITIVITY").
- Pour que le volume de l'amplificateur auxiliaire soit identique à celui de l'amplificateur principal, réglez la sensibilité d'entrée sur "0,2 V (max.)".

ATTENTION

- Avant de brancher les câbles de commande à distance, tournez toujours le bouton de réglage d'amplification des basses au maximum vers la gauche.

* disponible dans le commerce





REMARQUE

Le panneau de commande se situe sous l'enjoliveur. Retirez le couvercle pour accéder aux commandes de réglage. (Voir page 11)

- ① **FUSIBLE (25 A x 3)**
- ② **Borne BATT (alimentation)**
- ③ **Borne GND (masse)**
- ④ **Borne P.CON (fil de commande d'alimentation)**
Commande l'unité ON/OFF.

REMARQUE

Commande l'unité d'alimentation. Assurez-vous de le connecter à l'ensemble des différents systèmes.

- ⑤ **Bornes SPEAKER OUTPUT**
Cet appareil étant conçu pour fonctionner avec une impédance de charge de 1 Ohm, tout haut-parleur dont l'impédance est égale ou supérieure à 1 Ohm peut être branché sur ces prises.

ATTENTION

La puissance admissible par les haut-parleurs doit être au moins égale à la puissance de sortie de l'amplificateur. Dans le cas contraire, une anomalie de fonctionnement peut survenir.

- ⑥ **Borne REMOTE**
Connectez le câble de la télécommande.

REMARQUE

Utilisez le câble de télécommande de l'accessoire.

- ⑦ **Interrupteur de filtre de ligne de sortie ("LINE OUT FILTER")**
Commutation de la sortie de signal audio vers la borne de ligne de sortie ("LINE OUT").

Position ON :

Le signal audio réglé lors du paramétrage du filtre passe-bas, de la sensibilité d'entrée et de l'amplification des graves est émis via la borne de ligne de sortie "LINE OUT".

Position OFF :

Le signal audio envoyé par la borne de ligne d'entrée "LINE IN" est émis via la borne de ligne de sortie "LINE OUT".

ATTENTION

Le volume de sortie audio via la borne de ligne de sortie LINE OUT diffère en fonction de la position de l'interrupteur. Gardez ceci à l'esprit lors de la commutation de l'interrupteur de filtre de sortie ("LINE OUT FILTER") de "ON" sur "OFF".

- ⑧ **Touche RESET**
Réinitialise le microprocesseur de l'unité.
- ⑨ **Borne d'entrée de ligne (LINE IN)**
- ⑩ **Sortie de ligne (LINE OUT)**
Le signal audio réglé avec le filtre de ligne de sortie "LINE OUT FILTER" est émis.
- ⑪ **Indicateur Power**
S'allume lorsque le commutateur POWER est mis en marche.
Le voyant clignote pendant plusieurs secondes lorsque le commutateur POWER est mis en marche ou lorsque la fonction de protection est activée.

- ⑫ **Molette de commande**

Vous permet de passer d'un élément du système de menu à l'autre et de les déterminer.

- ⑬ **Commutateur PHASE**

Lorsque cet interrupteur est sur "180°" (Inverse), la phase de sortie du haut-parleur est inversée.

- ⑭ **Commutateur ISF (filtre infrasonore)**

Lorsque ce commutateur est placé sur "ON", les fréquences inaudibles ultra-basses en dessous de la fréquence réglée à l'aide de "ISF FREQUENCY", sont supprimées. Cette disposition permet d'accroître les performances des haut-parleurs qui ne sont plus tenus de reproduire des vibrations inutiles puisqu'elles ne sont pas perçues par l'oreille.

- ⑮ **Commande ISF FREQUENCY**

Cette commande permet de préciser la fréquence de coupure quand le commutateur "ISF" est sur la position "ON".

- ⑯ **Commutateur BRP (filtre de rejet de bande)**

Lorsque ce commutateur est placé sur la position "-6dB"/"-12dB", les fréquences contenues dans la bande dont la largeur a été réglée au moyen de la commande "B.R.F. FREQUENCY", sont rejetées, autrement dit supprimées. La réjection de la bande a pour objet d'éliminer les résonances et les ondes stationnaires qui autrement prendraient naissance dans l'habitacle du véhicule. (Voir page 15)

- ⑰ **Commande B.R.F. FREQUENCY**

Lorsque le filtre "BRF" est en service ("-6dB"/"-12dB"), cette commande permet de définir la largeur de la bande des fréquences rejetées. (Voir page 15)

- ⑱ **Commutateur LPF (Filtre passe-bas)**

Ce commutateur permet d'effectuer un filtrage des fréquences basses ou aiguës allant vers les haut-parleurs.

• Position OFF :

Le filtre n'agit pas, autrement dit tout le spectre des fréquences est présent en sortie.

• Position ON :

Le filtre laisse passer les fréquences inférieures à la fréquence précisée au moyen de la commande "LPF FREQUENCY".

- ⑲ **Commande INPUT SENSITIVITY (sensibilité d'entrée)**

Régler cette commande selon le niveau de pré-sortie de l'unité centrale branché à cet amplificateur.

REMARQUE

Se référer à la section <Spécifications> du manuel des instructions de l'unité centrale à propos du niveau de pré-sortie.

- ⑳ **Commande LPF (Filtre passe-bas) FREQUENCY**

Cette commande permet de préciser la fréquence de coupure quand le commutateur "LPF" est sur la position "ON".

- ㉑ **Commande BOOST LEVEL (Niveau d'amplification des basses fréquences)**

Règle le niveau d'amplification de la gamme des basses fréquences.

- ㉒ **Indicateur Power**

- ㉓ **Commande FREQUENCY (Fréquence d'amplification des basses)**

Règle la fréquence centrale autour de laquelle la gamme de basse fréquence doit être amplifiée.

Systeme de menu

Mode d'affichage

Vous pouvez régler les éléments de l'affichage comme suit :

1 Sélectionner un élément de l'affichage

Tournez la molette de commande.

Les éléments de l'affichage sont commutés dans l'ordre suivant.

Affichage	Information
"VOLT"	Indique la tension de la source (V).
"CURRT"	Indique l'intensité du courant (A).
"TEMP"	Indique la température interne (°F/°C).
"DEMO"	Permet de configurer la démonstration de l'affichage.

REMARQUE

Lorsque la température est de -22°F/-30°C ou moins, "-22F"/"-30C" s'affiche.

Réglage d'un élément de l'affichage

Vous pouvez régler les éléments de l'affichage comme suit.

1 Sélectionner un élément de l'affichage

Tournez la molette de commande.

2 Régler l'élément de l'affichage

Appuyez sur la molette de commande.

Les éléments à configurer et les valeurs réglées défilent comme suit.

Affichage	Gamme	Elément de réglage
"TEMP"	---F (Fahrenheit) / ---C (Centigrade)	L'unité de température Fahrenheit ou Centigrade peut être sélectionnée pour le mode d'affichage.
"DEMO"	Désactivé/ Activé	Lorsqu'activé (ON), les éléments "VOLT", "CURRT", et "TEMP" s'affichent à plusieurs reprises.

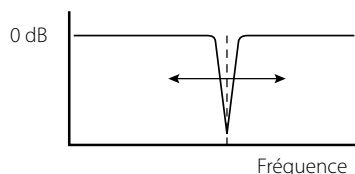
REMARQUE

Normalement les réglages au sommet du graphique sont les réglages d'origine.

Filtre coupe bande (B.R.F.)

Pour certaines fréquences, les caractéristiques de l'habitacle du véhicule sont telles que des résonances parasites et des ondes stationnaires peuvent prendre naissance.

En n'éliminant que les fréquences responsables des résonances et des ondes stationnaires, le filtre coupe-bande peut supprimer ces phénomènes gênants sans altérer de façon significative la qualité des sons.



■ Méthode de réglage :

Pour que le filtre coupe-bande ne modifie pas sensiblement la qualité du signal musical, seules sont supprimées certaines fréquences. Il est donc essentiel que les fréquences de coupure du filtre soient très précisément choisies en fonction des fréquences qui provoquent les résonances et les ondes stationnaires. Le réglage du filtre coupe-bande peut être effectué après une écoute attentive mais nous recommandons l'emploi d'un générateur de signal ou d'un analyseur de spectre précis afin d'obtenir les meilleurs effets.

• Réglage à l'aide d'un générateur de signal :

Produire une onde sinusoïdale, en faire varier la fréquence de manière à détecter celle qui provoque une résonance de l'habitacle ou une augmentation du niveau sonore (ce qui correspond alors à la génération d'ondes stationnaires) puis agir sur la commande B.R.F. FREQUENCY de telle façon que cette résonance, ou ces ondes stationnaires, soient éliminées.

• Réglage à l'aide d'un analyseur de spectre :

Au moyen d'un appareil convenable, produire un bruit blanc (c'est-à-dire un bruit présentant la même énergie quelle que soit la fréquence considérée), déterminer grâce à l'analyseur de spectre la valeur de la fréquence crête puis agir sur la commande B.R.F. FREQUENCY de telle façon que ce signal crête ne soit plus observable sur l'analyseur de spectre.

Guide de dépannage

Ce qui peut apparaître comme un mauvais fonctionnement de votre appareil n'est peut-être que le résultat d'une mauvaise opération ou d'une mauvaise connexion. Avant d'appeler un centre de service, vérifiez d'abord dans le tableau suivant les problèmes possibles.

PROBLÈME	CAUSE POSSIBLE	SOLUTION
Absence de sons. (Fusible grillé.)	<ul style="list-style-type: none"> Les câbles d'entrée (ou de sortie) sont débranchés. Le circuit de protection peut être actionné. Le volume est trop fort. Les fils de raccordement du haut-parleur sont en court-circuit. 	<ul style="list-style-type: none"> Brancher les câbles d'entrée (ou de sortie). Vérifier les raccordements en se reportant au paragraphe <Fonction de protection>. Remplacez le fusible et utilisez un niveau de volume plus faible. Après avoir vérifié le câble du haut-parleur et réparé la cause du court-circuit, remplacez le fusible.
Niveau de sortie trop faible (ou trop fort).	<ul style="list-style-type: none"> La commande de réglage de la sensibilité d'entrée n'est pas amenée sur la bonne position. 	<ul style="list-style-type: none"> Faire le réglage correctement en se reportant aux indications données en <Contrôles>.
La qualité sonore est mauvaise. (Le son est distordu.)	<ul style="list-style-type: none"> Les câbles de haut-parleurs ont été raccordés en inversant la polarité ⊕/⊖. Un câble de haut-parleurs est pincé par une vis dans le châssis de la voiture. Les commutateurs ne sont peut-être pas positionnés comme il convient. 	<ul style="list-style-type: none"> Raccorder correctement en respectant les indications ⊕ et ⊖ des bornes et des câbles. Rebrancher le câble de haut-parleurs en évitant tout pincement. Positionner les commutateurs en tenant compte des indications fournies aux paragraphes <Contrôles>.
La télécommande ne fonctionne pas.	<ul style="list-style-type: none"> Le câble de la télécommande est déconnecté. 	<ul style="list-style-type: none"> Connectez le câble de la télécommande correctement et complètement.

Spécifications

Les spécifications sont sujettes à changements sans notification.

CEA-2006

RMS (pression acoustique efficace) Watts par canal @ 4 ohms, 1 % THD+N600 W x 1
Taux signal/bruit (référence : 1 Watt/4 ohms) 80 dBA



Section audio

Puissance de sortie max.....2400 W
Puissance de sortie nominale (+B = 12,0 V)
 (4 Ω) (20 Hz – 200 Hz, 0,5 % THD).....400 W x 1
 (2 Ω) (100 Hz, 0,5 % THD).....800 W x 1
 (1 Ω).....≥ 800 W x 1
 Puissance de sortie nominale (+B = 14,4 V)
 (4 Ω) (20 Hz – 200 Hz, 0,5 % THD).....600 W x 1
 (4 Ω) (DIN45324, +B = 14,4 V).....600 W x 1
 (2 Ω) (100 Hz, 0,5 % THD).....1200 W x 1
 (1 Ω).....≥ 1000 W x 1
 Réponse en fréquence (+0, -3 dB).....5 Hz – 400 Hz
 Sensibilité (puissance nominale) (MAX.)0,2 V
 (MIN.)5,0 V
 Impédance d'entrée 10 kΩ
 Taux de Signal/Bruit.....105 dB
 Fréquence du filtre passe-bas (-24 dB/oct.)40 – 200 Hz (variable)
 Fréquence de coupure du filtre infrasonore (-24 dB/oct.)..... 15 – 60 Hz (variable)
 Filtre coupe bande (B.R.F.)..... ETEINT / -6 dB / -12 dB
 Plage du filtre coupe-bande..... 40 – 200 Hz (variable)
 Inverseur de phase..... 0° (Normal) / 180° (Inverse)
 Circuit d'amplification des basses.....0 – 18 dB (variable)
 Fréquence d'amplification des basses.....40 – 100 Hz (variable)

Général

Tension de fonctionnement14,4 V (11 – 16V admissible)
 Courant absorbé 75 A
 Taille d'installation (L x H x P)340 x 60 x 225 mm
 13-3/8 x 2-3/8 x 8-7/8 pouce
 Masse3,8 kg (8,38 lbs)

Precauciones de seguridad

▲ADVERTENCIA

Para evitar el riesgo de lesiones o fuego, observe las siguientes precauciones:

- La instalación y cableado de este producto requiere de habilidad y experiencia. Por motivos de seguridad, deje la labor de instalación y montaje en manos de profesionales.
- Cuando extienda los cables de la batería o de masa, asegúrese de utilizar cables para automóviles u otros cables que tengan un área de 10 mm² (AWG 8) a 25 mm² (AWG 4) o más, para evitar el deterioro del cable y daños en su revestimiento.
- Para evitar cortocircuitos, nunca coloque ni deje objetos metálicos (por ejemplo, monedas o herramientas metálicas) dentro de la unidad.
- Si nota que la unidad emite humos u olores extraños, desconecte inmediatamente la alimentación y consulte con su distribuidor Kenwood.
- No toque la unidad mientras la utiliza porque su superficie se calienta y puede causar quemaduras si se toca.

▲PRECAUCIÓN

Para evitar daños en la unidad, tome las siguientes precauciones:

- Asegúrese de que la unidad está conectada a un suministro de alimentación de CC de 12V con una conexión de toma de tierra negativa.
- No abra las cubiertas superior o inferior de la unidad.
- No instale la unidad en un sitio expuesto a la luz directa del sol, o excesivamente húmedo o caluroso. Asimismo evite los lugares muy polvorientos o sujetos a salpicaduras de agua.
- Cuando tenga que reemplazar un fusible, utilice únicamente uno del régimen prescrito. El uso de un fusible de régimen incorrecto podría ocasionar un funcionamiento defectuoso de la unidad.
- Para evitar cortocircuitos mientras sustituye el fusible, desconecte previamente el mazo de conductores.

NOTA

- Si tiene problemas durante la instalación, consulte con su distribuidor Kenwood.
- Si la unidad no está funcionando correctamente, consulte con su distribuidor Kenwood.

Información acerca de la eliminación de equipos eléctricos y electrónicos al final de la vida útil (aplicable a los países de la Unión Europea que hayan adoptado sistemas independientes de recogida de residuos)



Los productos con el símbolo de un contenedor con ruedas tachado no podrán ser desechados como residuos domésticos. Los equipos eléctricos y electrónicos al final de la vida útil, deberán ser reciclados en instalaciones que puedan dar el tratamiento adecuado a estos productos y a sus subproductos residuales correspondientes. Póngase en contacto con su administración local para obtener información sobre el punto de recogida más cercano. Un tratamiento correcto del reciclaje y la eliminación de residuos ayuda a conservar los recursos y evita al mismo tiempo efectos perjudiciales en la salud y el medio ambiente.

Este producto no ha sido instalado en la línea de producción por el fabricante de un vehículo, ni tampoco por el importador profesional de un vehículo dentro del estado miembro de la UE.

Limpieza de la unidad

Si la superficie de la unidad está sucia, apague la unidad y limpie con un paño siliconado suave y seco.

▲PRECAUCIÓN

No limpie el panel con un paño áspero o humedecido con disolventes volátiles tales como diluyente de pintura o alcohol. Su uso podría rayar la superficie del panel o hacer que se despeguen las letras indicadoras.

Para evitar agotar la batería

Cuando la unidad se utiliza en la posición ACC ON sin CONECTAR el motor, agota la batería. Utilícelo después de arrancar el motor.

Función de protección

Existe una función de Protección instalada en la unidad para proteger ésta y los altavoces de diversos problemas que pudieran presentarse. Cuando dicha protección funciona, la pantalla informa sobre esta condición.

Visualización	Información
"E-01"	Cuando el interior de la unidad se recalienta. Cuando la unidad ha fallado y se genera tensión de corriente directa hacia la salida del altavoz.
"E-02"	NOTA DESCONECTE la alimentación y libere la protección. Si el código "E-02" no desaparece, consulte con el centro de servicio más cercano.
"E-03"	Cuando el cable del altavoz está cortocircuitado. Cuando la salida del altavoz hace contacto con la masa del vehículo.
"E-99"	Cuando se produce un error del sistema. Pulse el botón Reset. Si el código "E-99" no desaparece, consulte con el centro de servicio más cercano.
La pantalla "VOLT" parpadea.	La tensión no esté dentro de los límites del rango de funcionamiento.

Cableado

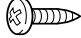


- Lleve el cable de la batería de esta unidad directamente desde la propia batería. Si se conectara al arnés del cableado del vehículo, puede provocar daños en los fusibles, etc.
- Si se produce un zumbido por los altavoces mientras funciona el motor, conecte un filtro de ruido de línea (vendido por separado) a cada cable de la batería.
- No permita que el cable entre en contacto directo con el borde de la placa de hierro, utilizando para ello arandelas de caucho.
- Conecte los cables de masa a una parte del chasis del automóvil que actúe como puesta a masa por donde pase la electricidad hasta el borne negativo ⊖ de la batería. No conecte la alimentación si no están conectados los cables de masa.
- Asegúrese de instalar un fusible de protección en el cable de corriente cerca de la batería. El fusible positivo debería tener la misma capacidad que el de la unidad o algo mayor.
- Para el cable de corriente y la masa, utilice un cable de corriente para vehículos (ignífugo) con una capacidad mayor que la capacidad del fusible de la unidad. (Utilice un cable de fuerza con un diámetro entre 10 mm² (AWG 8) y 25 mm² (AWG 4)).
- Cuando desee utilizar más de un amplificador de potencia, utilice un cable de suministro de alimentación y un fusible de protección de una capacidad de soporte de corriente mayor a la corriente máxima total utilizada por cada amplificador.

Selección de altavoces

- La potencia de entrada asignada de los altavoces que se conecten al amplificador debe ser mayor que la potencia de salida máxima (en Wats) del amplificador. Utilizar altavoces que posean potencias de entrada menores a la salida de entrada del amplificador producirá emisiones de humo y daños.
- Utilice altavoces que posean una impedancia de 1Ω o más. Cuando desee utilizar más de un juego de altavoces, calcule la impedancia combinada de estos altavoces y luego conecte adecuadamente los altavoces al amplificador.



Accesorios

Nombre de pieza	Vista exterior	Unidades
Tornillos autorroscantes (ø5 x 18 mm)		4
Llave hexagonal (Grande)		1
Llave hexagonal (Pequeño)		1

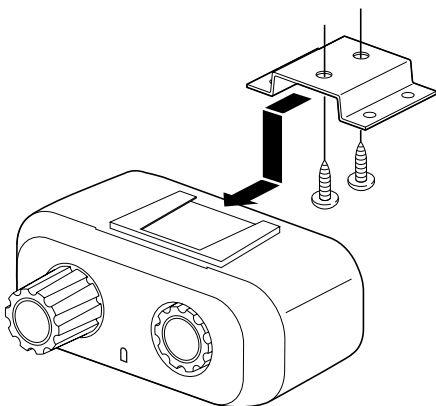
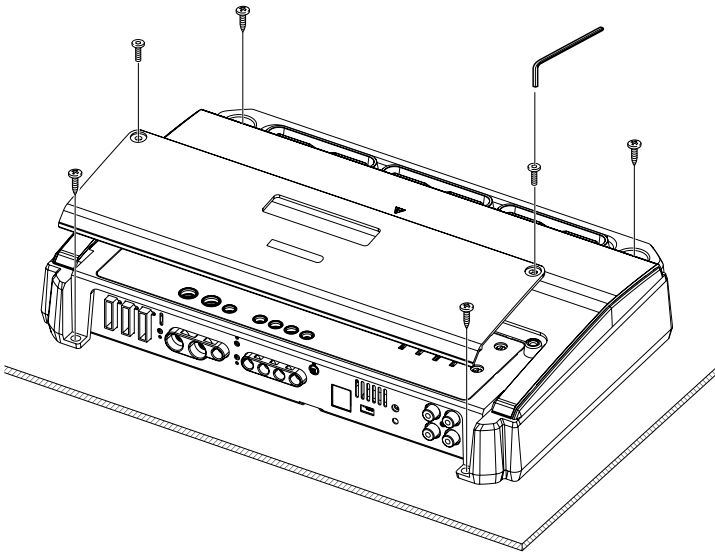
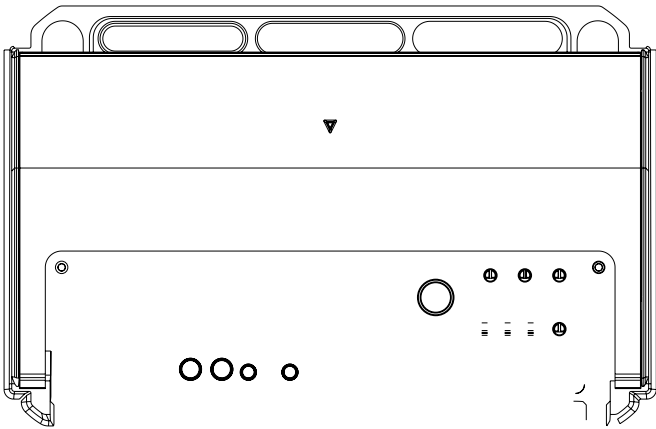
Procedimiento de instalación

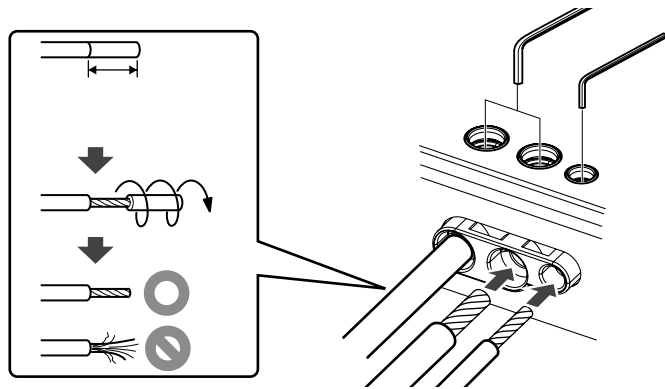
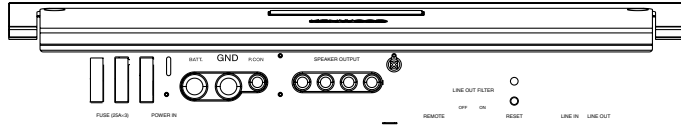
Como se puede hacer una gran variedad de ajustes y conexiones según las aplicaciones, lea atentamente el manual de instrucciones para seleccionar el ajuste y la conexión apropiados.

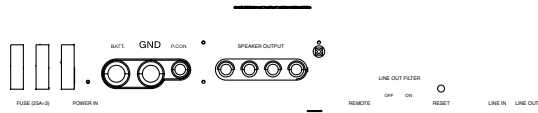
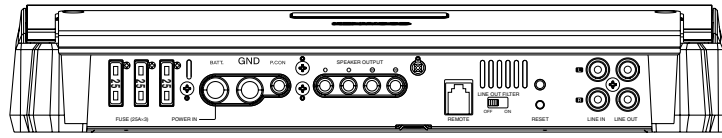
1. Retire la llave de encendido y desconecte el terminal negativo \ominus de la batería para evitar cortocircuitos.
2. Prepare la unidad según el uso que vaya a hacer de ella.
3. Conecte los cables de entrada y salida de las unidades.
4. Conecte los cables del altavoz.
5. Conecte el cable de alimentación, el cable de control de alimentación y el cable de tierra en este orden.
6. Coloque los elementos de instalación en la unidad.
7. Coloque la unidad.
8. Instalación del controlador remoto.
9. Conecte la terminal negativa \ominus de la batería.

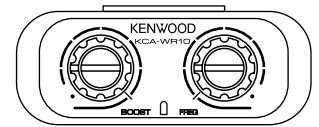
⚠PRECAUCIÓN

- No instale el equipo en las siguientes ubicaciones; (Ubicación inestable; En un lugar que interfiera a la conducción; En un lugar en el que pueda mojarse; En un lugar con exceso de polvo; En un lugar en el que pueda recalentarse; En un lugar en el que reciba la luz directa del sol; En un lugar situado en el flujo de aire caliente)
- No utilice la unidad bajo una alfombra ya que, podría sobrecalentarse y estropearse.
- Instale esta unidad en un lugar donde el calor pueda disiparse fácilmente. Una vez instalado, no ponga nada sobre él.
- La temperatura de la superficie del amplificador se elevará durante su uso. Instale el amplificador en un lugar seguro donde personas, resinas y otras sustancias sensibles al calor no entren en contacto con esta superficie.
- Esta unidad tiene un ventilador de refrigeración para reducir la temperatura interna. No instale la unidad en un lugar donde estén bloqueados el ventilador y los ductos de refrigeración. Al tapar estas aberturas no podrá reducirse adecuadamente la temperatura interior y podrá producirse un fallo en el funcionamiento.
- Cuando haga un orificio bajo el asiento o en el portaequipajes o en algún otro lugar del vehículo, verifique que no existan objetos peligrosos al otro lado tales como un tanque de gasolina, tubo del freno, o los alambres del cableado del coche y tenga cuidado de no rayar las piezas del vehículo o causar algún otro daño.
- No lo instale cerca del panel de controles, bandeja trasera, o piezas de seguridad del colchón de aire.
- La instalación de esta unidad debe ser realizada en un lugar donde no estorbe la conducción. Si la unidad se sale de su posición debido a un choque y golpea a una persona o a alguna pieza de seguridad, puede causar lesiones o un accidente.
- Después de instalar la unidad, cerciórese de que los equipos eléctricos (luces de freno, intermitentes y limpiadores) funcionen normalmente.









NOTA

El panel de control se encuentra bajo la cubierta exterior. Extraiga la cubierta para acceder a sus controles y realizar el ajuste. (Véase la página 19)

① **Fusible(25 A x 3)**

② **Terminal BATT (alimentación)**

③ **Terminal GND (tierra)**

④ **Terminal P. CON (control de corriente)**

Controla la CONEXIÓN / DESCONEXIÓN de la unidad.

NOTA

Controla la potencia de la unidad. Asegúrese de conectarlo con todos los sistemas.

⑤ **Terminales SPEAKER OUTPUT (salida de altavoces)**

Como esta unidad acepta altavoces con una impedancia mínima de 1 ohmio, conecte altavoces con una impedancia de 1 ohmio o más a estos terminales.

⚠PRECAUCIÓN

La entrada nominal de los altavoces no deberá ser inferior a la salida máxima del amplificador. De lo contrario podría producirse una falla en el funcionamiento.

⑥ **Terminal REMOTE**

Conecte el cable del mando a distancia.

NOTA

Utilice el cable del mando a distancia del accesorio.

⑦ **Interruptor LINE OUT FILTER**

Cambio de la salida de la señal de sonido al terminal "LINE OUT".

Posición ON:

La señal de sonido ajustada al configurar el control "LPF", "INPUT SENSIVITY" y refuerzo de graves se emite al terminal "LINE OUT".

Posición OFF:

La entrada de señal de sonido desde el terminal "LINE IN" se emite al terminal "LINE OUT" (a través de la salida).

⚠PRECAUCIÓN

El volumen de la salida de sonido al terminal "LINE OUT" es diferente en las posiciones "ON" y "OFF". Téngalo en cuenta a la hora de cambiar el interruptor "LINE OUT FILTER" de "ON" a "OFF".

⑧ **Botón RESET**

Reposiciona el microprocesador de la unidad.

⑨ **Terminal LINE IN (entrada de línea)**

⑩ **Tomas de salida de línea (LINE OUT)**

Se emitirá la señal de sonido establecida con el interruptor "LINE OUT FILTER".

⑪ **Indicador POWER**

Se ilumina cuando se activa el interruptor POWER.

El indicador parpadea durante varios segundos cuando se activa el interruptor POWER o cuando se activa la función de protección.

⑫ **Mando de control**

Permite cambiar entre los elementos del sistema de menús y realizar la selección.

⑬ **Conmutador PHASE**

Cuando este interruptor se coloca en la posición "180°" (Inversa) la fase de salida del altavoz se invierte.

⑭ **Interruptor ISF (filtro infrasónico)**

Cuando este conmutador se establece en "ON", se cortan las frecuencias ultrabajas inaudibles situadas por debajo de la frecuencia establecida con el control "ISF FREQUENCY". Esto mejorará la reproducción de los altavoces al eliminar las oscilaciones innecesarias que no se convierten en sonido.

⑮ **Control ISF FREQUENCY**

Ajusta la frecuencia de corte cuando el conmutador "ISF" está en "ON".

⑯ **Interruptor BR.F (filtro de supresión de banda)**

Cuando este conmutador se ponga en "-6dB"/"-12dB", las frecuencias de la banda ajustada con el control "B.R.F. FREQUENCY" son rechazadas y eliminadas. El rechazo de bandas permite reducir la resonancia en el interior del compartimiento del vehículo y las ondas estacionarias. (Véase página 23)

⑰ **Control B.R.F. FREQUENCY**

Ajusta la frecuencia de rechazo cuando el conmutador "BRF" está en "-6dB"/"-12dB". (Véase página 23)

⑱ **Conmutador LPF(filtro de paso bajo)**

Este conmutador permite aplicar la filtración de paso bajo a las salidas de los altavoces.

• **Posición OFF:**

Todo el ancho de banda sale sin filtración.

• **Posición ON:**

El filtro da salida a la banda de frecuencias más bajas que la frecuencia ajustada con el control "LPF FREQUENCY".

⑲ **Control INPUT SENSITIVITY (sensibilidad de entrada)**

Ajustar este control de acuerdo con el nivel de presalida de la unidad central conectada a este amplificador.

NOTA

Consulte <Especificaciones> del manual de instrucciones de la unidad central para más información acerca del nivel de presalida.

⑳ **Control LPF (filtro de paso bajo) FREQUENCY**

Ajusta la frecuencia de corte cuando el conmutador "LPF" está en "ON".

㉑ **Control BOOST LEVEL (nivel del amplificador de bajas frecuencias)**

Ajusta el nivel al cual el margen de bajas frecuencias se debe reforzar.

㉒ **Indicador POWER**

㉓ **Control FREQUENCY (frecuencia del amplificador de bajas frecuencias)**

Ajusta la frecuencia central al rededor de la cual se debe reforzar el margen de bajas frecuencias.

Sistema de menús

Modo de visualización

Es posible configurar los elementos de ajuste de la siguiente manera:

1 Seleccione un elemento de visualización.

Gire el mando de control.

Los elementos de visualización cambian en la frecuencia siguiente.

Visualización	Información
"VOLT"	Indica la tensión de fuente (V).
"CURRT"	Indica el consumo actual (A).
"TEMP"	Indica la temperatura interna (°F/°C).
"DEMO"	Permite establecer la demostración de visualización.

NOTA

Cuando la temperatura interna sea de $-22^{\circ}\text{F}/-30^{\circ}\text{C}$ o menos, se visualizará $"-22\text{F}"/"-30\text{C}"$.

Ajuste de opciones de visualización

Es posible ajustar las opciones de visualización de la siguiente manera:

1 Seleccione un elemento de visualización.

Gire el mando de control.

2 Ajuste el elemento de visualización.

Pulse el mando de control.

Los elementos de configuración y los valores establecidos cambian como sigue.

Visualización	Margen	Elemento de ajuste
"TEMP"	---F (fahrenheit) / ---C (centígrados)	Es posible seleccionar para el modo de visualización, la temperatura en grados fahrenheit o centígrados.
"DEMO"	Desactivado/ Activado	Cuando se activa, los elementos "VOLT", "CURRT" y "TEMP" se muestran repetidamente.

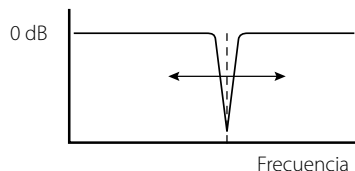
NOTA

Normalmente, el ajuste situado en la parte superior de la tabla es el ajuste original.

Filtro de rechazo de banda (B.R.F.)

Las propiedades acústicas del compartimiento del vehículo tienden a causar oscilaciones debido a la resonancia o falta de claridad del sonido causada por las ondas estacionarias en ciertas frecuencias.

El filtro de rechazo de banda puede resolver los problemas de resonancia o sonido poco claro causando una influencia mínima en la calidad del sonido, ya que sólo elimina las frecuencias que causan la resonancia o las ondas estacionarias.



■ Método de ajuste:

El filtro de rechazo de banda corta solamente las frecuencias limitadas para minimizar la influencia en la calidad del sonido. Por lo tanto, su efecto no se puede obtener a menos que las frecuencias de corte se ajusten con precisión a las frecuencias que causan la resonancia y las ondas estacionarias. El filtro de rechazo de banda se puede ajustar por oído, pero para hacer el ajuste, se recomienda utilizar un generador de señales o un analizador de espectro capaz de realizar una medición precisa.

• Ajuste utilizando un generador de señales:

Dé salida a una onda sinusoidal, varíe su frecuencia para encontrar las frecuencias a las que el compartimiento del vehículo resuena o aumenta el volumen (se producen ondas estacionarias), y ponga el control B.R.F. FREQUENCY en la posición en la que desaparezcan la resonancia y las ondas estacionarias.

• Ajuste utilizando un analizador de espectro:

Dé salida a ruido blanco (sonido en el que todas las frecuencias se encuentran a cierto nivel), encuentre la frecuencia de cresta en el analizador de espectro y ponga el control B.R.F. FREQUENCY en una posición en la que desaparezca la cresta observada en el analizador de espectro.

Guía sobre localización de averías

Lo que podría parecer una falla de funcionamiento de su unidad podría ser simplemente el resultado de un pequeño error de operación o de un defecto de conexión. Antes de acudir al servicio, verifique primero el siguiente cuadro sobre los problemas que se podrían presentar.

PROBLEMA	CAUSA POSIBLE	SOLUCIÓN
No hay sonido. (Fusible fundido)	<ul style="list-style-type: none"> Los cables de entrada (o salida) están desconectados. El circuito de protección puede estar activado. El volumen está demasiado alto. El cable del altavoz está cortocircuitado. 	<ul style="list-style-type: none"> Conecte los cables de entrada (o salida). Compruebe las conexiones consultando <Función de protección>. Reemplace el fusible y baje el volumen. Después de revisar el cable del altavoz y arreglar la causa del cortocircuito, reemplace el fusible.
El nivel de salida está muy bajo (o muy alto)	<ul style="list-style-type: none"> El control de ajuste de sensibilidad de entrada no está en la posición correcta. 	<ul style="list-style-type: none"> Ajuste bien el control consultando en <Controles>.
La calidad del sonido es mala. (El sonido está distorsionado).	<ul style="list-style-type: none"> Los cables de los altavoces están conectados con las polaridades \oplus / \ominus invertidas. Un cable de altavoz está dañado por un tornillo de la carrocería del automóvil. Los conmutadores pueden estar mal ajustados. 	<ul style="list-style-type: none"> Conéctelos correctamente asegurándose bien de cuáles son los terminales \oplus y \ominus. Vuelva a conectar los cables de los altavoces de forma que no queden dañados. Ponga bien los conmutadores consultando <Controles>.
El mando a distancia no funciona.	<ul style="list-style-type: none"> El cable del mando a distancia está desconectado. 	<ul style="list-style-type: none"> Conecte correctamente y de forma segura el cable del mando a distancia.

Especificaciones

Las especificaciones se encuentran sujetas a cambios sin previo aviso.

CEA-2006

Vatios RMS por canal @ 4 ohmios, 1 % THD+N 600 W x 1
 Relación señal a ruido (referencia: 1 vatio en 4 ohmios) 80 dBA



Sección de audio

Máxima potencia de salida 2400 W
 Salida de potencia nominal (+B = 12,0 V)
 (4 Ω) (20 Hz - 200 Hz, 0,5 % THD) 400 W x 1
 (2 Ω) (100 Hz, 0,5 % THD) 800 W x 1
 (1 Ω) \geq 800 W x 1
 Salida de potencia nominal (+B = 14,4 V)
 (4 Ω) (20 Hz - 200 Hz, 0,5 % THD) 600 W x 1
 (4 Ω) (DIN45324, +B = 14,4 V) 600 W x 1
 (2 Ω) (100 Hz, 0,5 % THD) 1200 W x 1
 (1 Ω) \geq 1000 W x 1
 Respuesta de frecuencia (+0, -3 dB) 5 Hz - 400 Hz
 Sensibilidad (salida nominal) MÁX. 0,2 V
 MÍN. 5,0 V
 Impedancia de entrada 10 k Ω
 Relación señal a ruido 105 dB
 Frecuencia del filtro pasa bajos (-24 dB/octava) 40 - 200 Hz (variable)
 Frecuencia del filtro infrasónico (-24 dB/octava) 15 - 60 Hz (variable)
 Filtro de rechazo de banda (B.R.F.) OFF/ -6 dB/ -12 dB
 Frecuencias del filtro de rechazo de banda 40 - 200 Hz (variable)
 Inversor de fase 0° (normal) / 180° (inversa)
 Circuito enfatizador de bajos 0 - 18 dB (variable)
 Frecuencia de bajos 40 - 100 Hz (variable)

General

Tensión de funcionamiento 14,4 V (margen de 11 - 16 V permitido)
 Consumo 75 A
 Tamaño de instalación (Anch x Alt x Prof) 340 x 60 x 225 mm
 13-3/8 x 2-3/8 x 8-7/8 pulgada
 Peso 3,8 kg (8,38 lbs)

Free Manuals Download Website

<http://myh66.com>

<http://usermanuals.us>

<http://www.somanuals.com>

<http://www.4manuals.cc>

<http://www.manual-lib.com>

<http://www.404manual.com>

<http://www.luxmanual.com>

<http://aubethermostatmanual.com>

Golf course search by state

<http://golfingnear.com>

Email search by domain

<http://emailbydomain.com>

Auto manuals search

<http://auto.somanuals.com>

TV manuals search

<http://tv.somanuals.com>