

KENWOOD

KAC-X20

TWO CHANNEL POWER AMPLIFIER ▶ page 2-7

INSTRUCTION MANUAL

AMPLIFICATEUR 2 CANAUX ▶ page 8-13

MODE D'EMPLOI

AMPLIFICADOR DE POTENCIA DE DOS CANALES ▶ página 14-19

MANUAL DE INSTRUCCIONES

Kenwood Corporation

Take the time to read through this instruction manual. Familiarity with installation and operation procedures will help you obtain the best performance from your new power amplifier.

For your records

Record the serial number, found on the back of the unit, in the spaces designated on the warranty card, and in the space provided below. Refer to the model and serial numbers whenever you call upon your Kenwood dealer for information or service on the product.

Model KAC-X20 Serial number _____

US Residence Only

Register Online

Register your Kenwood product at
www.kenwoodusa.com

© B64-3519-00/00 (KV)

Safety precautions

⚠ WARNING

To prevent injury or fire, take the following precautions:

- When extending the ignition, battery, or ground wires, make sure to use automotive-grade wires or other wires with a 8 mm² (AWG 8) or more to prevent wire deterioration and damage to the wire coating.
- To prevent a short circuit, never put or leave any metallic objects (such as coins or metal tools) inside the unit.
- If the unit starts to emit smoke or strange smells, turn off the power immediately and consult your Kenwood dealer.
- Do not touch the unit during use because the surface of the unit becomes hot and may cause burns if touched.
- Mounting and wiring this product requires skills and experience. For safety's sake, leave the mounting and wiring work to professionals.

⚠ CAUTION

To prevent damage to the machine, take the following precautions:

- Be sure the unit is connected to a 12V DC power supply with a negative ground connection.
- Do not open the top or bottom covers of the unit.
- Do not install the unit in a spot exposed to direct sunlight or excessive heat or humidity. Also avoid places with too much dust or the possibility of water splashing.
- When replacing a fuse, only use a new one with the prescribed rating. Using a fuse with the wrong rating may cause your unit to malfunction.
- To prevent a short circuit when replacing a fuse, first disconnect the wiring harness.

NOTE

- If you experience problems during installation, consult your Kenwood dealer.
- If the unit does not seem to be working right, consult your Kenwood dealer.

FCC WARNING

This equipment may generate or use radio frequency energy. Changes or modifications to this equipment may cause harmful interference unless the modifications are expressly approved in the instruction manual. The user could lose the authority to operate this equipment if an unauthorized change or modification is made.

FCC NOTE

This equipment has been tested and found to comply with the limits for a Class B digital device, pursuant to Part 15 of the FCC Rules. These limits are designed to provide reasonable protection against harmful interference in a residential installation. This equipment may cause harmful interference to radio communications, if it is not installed and used in accordance with the instructions. However, there is no guarantee that interference will not occur in a particular installation. If this equipment does cause harmful interference to radio or television reception, which can be determined by turning the equipment off and on, the user is encouraged to try to correct the interference by one or more of the following measures:

- Reorient or relocate the receiving antenna.
- Increase the separation between the equipment and receiver.
- Connect the equipment into an outlet on a circuit different from that to which the receiver is connected.
- Consult the dealer or an experienced radio/TV technician for help.

Cleaning the unit

If the front panel gets dirty, turn off the power and wipe the panel with a dry silicon cloth or soft cloth.

⚠ CAUTION

Do not wipe the panel with a hard cloth or a cloth dampened by volatile solvents such as paint thinner and alcohol. They can scratch the surface of the panel and/or cause the indicator letters to peel off.

To prevent battery rise

When the unit is used in the ACC ON position without turning the engine ON, it depletes the battery. Use it after starting the engine.

Protection function

The protection function is activated in the following situations:

This unit is equipped with a protection function for protecting this unit and your speakers from various accidents or problems that can occur.

When the protection function is triggered, the Power indicator goes OFF and the amplifier stops operating.

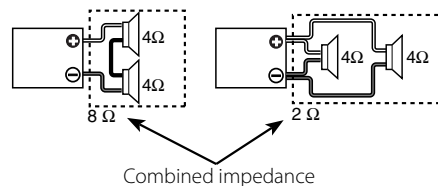
- When a speaker wire may be short-circuited.
- When a speaker output contacts ground.
- When the unit malfunctions and a DC signal is sent to the speaker output.
- When the internal temperature is high and unit won't operate.
- When a ground wire of the center unit (cassette receiver, CD receiver, etc.) or this unit is not connected to a metal part serving as an electrical ground passing electricity to the battery's negative ⊖ terminal.

Wiring

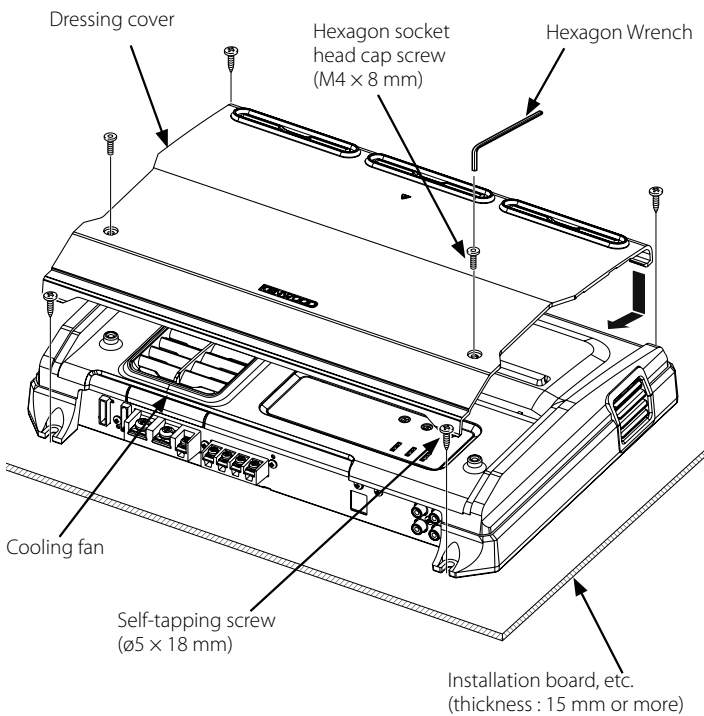
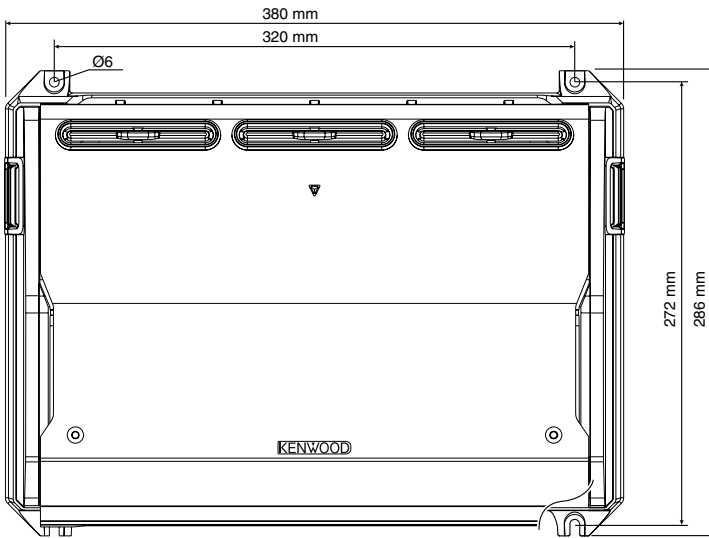
- Take the battery wire for this unit directly from the battery. If it's connected to the vehicle's wiring harness, it can cause blown fuses etc.
- If a buzzing noise is heard from the speakers when the engine is running, connect a line noise filter (optional) to each of the battery wire.
- Do not allow the wire to directly contact the edge of the iron plate by using Grommets.
- Connect the ground wire to a metal part of the car chassis that acts as an electrical ground passing electricity to the battery's negative ⊖ terminal. Do not turn the power on if the ground wire is not connected.
- Be sure to install a protective fuse in the power cord near the battery. The protective fuse should be the same capacity as the unit's fuse capacity or somewhat larger.
- For the power cord and ground, use a vehicle type (fireproof) power wiring cord with a current capacity greater than the unit's fuse capacity. (Use a power wiring cord with a diameter of 8 mm² (AWG 8) or greater.)
- When more than one power amplifier are going to be used, use a power supply wiring wire and protective fuse of greater current-handling capacity than the total maximum current drawn by each amplifier.

Speaker Selection

- The rated input power of the speakers that are going to be connected should be greater than the maximum output power (in Watts) of the amplifier. Use of speakers having input power ratings that are less than the output power of the amplifier will cause smoke to be emitted as well as damage.
- The impedance of the speakers that are going to be connected should be 2Ω or greater (for stereo connections), or 4Ω or greater (for bridged connections). When more than one set of speakers are going to be used, calculate the combined impedance of the speakers and then connect suitable speakers to the amplifier.



Installation



Accessories

Part name	External View	Number of Items
Self-tapping screws (ø5 x 18 mm)		4
Terminal cover (Power terminal)		1
Hexagon Wrench		1

Installation procedure

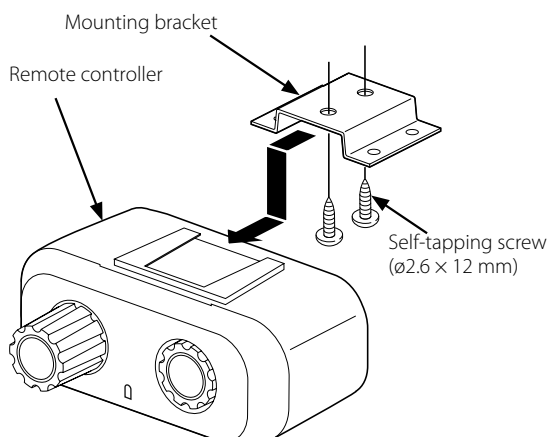
Since there are large variety of settings and connections possible according to applications, read the instruction manual well to select the proper setting and connection.

1. Remove the ignition key and disconnect the negative \ominus terminal of the battery to prevent short circuits.
2. Set the unit according to the intended usage.
3. Connect the input and output wires of the units.
4. Connect the speaker wires.
5. Connect the power wire, power control wire and grounding wire following this order.
6. Install the installation fittings in the unit.
7. Attach the unit.
8. Install the remote controller. (Optional accessory)
9. Connect the negative \ominus terminal of the battery.

CAUTION

- Do not install in the below locations; (Unstable location, In a location that interferes with driving, In a location that gets wet, In a dusty location, In a place that gets hot, In a place that gets direct sunlight, In a location that gets hit by hot air)
- Do not install the unit under the carpet. Otherwise heat build-up occurs and the unit may be damaged.
- Install this unit in a location which allows heat to easily dissipate. Once installed, do not place any object on top of the unit.
- The surface temperature of the amplifier will become hot during use. Install the amplifier in a place where people, resins, and other substances that are sensitive to heat will not come into contact with it.
- This unit has cooling fan to decrease the internal temperature. Do not mount the unit in a place where the cooling fan and ducts of the unit are blocked. Blocking these openings will inhibit the cooling of the internal temperature and result in malfunction.
- When making a hole under a seat, inside the trunk, or somewhere else in the vehicle, check that there is nothing hazardous on the opposite side such as a gasoline tank, brake pipe, or wiring harness, and be careful not to cause scratches or other damage.
- Do not install near the dashboard, rear tray, or air bag safety parts.
- The installation to the vehicle should securely fasten the unit to a place in which it will not obstruct driving. If the unit comes off due to a shock and hits a person or safety part, it may cause injury or an accident.
- After installing the unit, check to make sure that electrical equipment such as the brake lamps, turn signal lamps and windshield wipers operate normally.

Remote controller (Optional accessory)



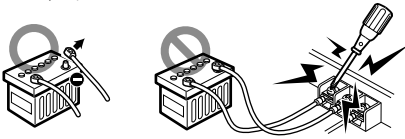
Accessories

Part name	External View	Number of Items
Remote cable (6.0 m : 19.7 ft)		1
Remote controller		1
Mounting bracket		1
Self-tapping screws (ø2.6 x 12 mm)		2

Connection

⚠ WARNING

To prevent fire caused by a short in the wiring, connect a fusible link or breaker nearby the battery's positive terminal.



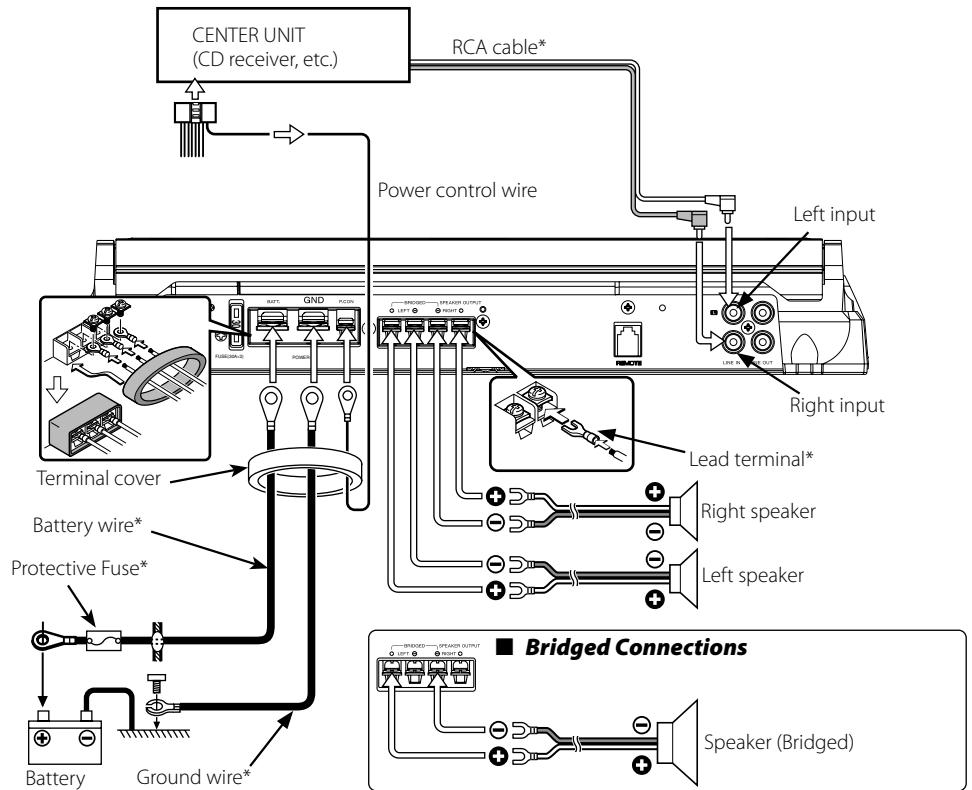
⚠ CAUTION

- If sound is not output normally, immediately turn power off and check connections.
- Be sure to turn the power off before changing the setting of any switch.
- If the fuse blows, check wires for shorts, then replace the fuse with one of the same rating.
- Check that no unconnected wires or connectors are touching the car body. Do not remove caps from unconnected wires or connectors to prevent short circuits.
- Connect the speaker wires to appropriate speaker connectors separately. Sharing the negative wire of the speaker or grounding speaker wires to the metal body of the car can cause this unit to fail.
- After installation, check that the brake lamps, wipers, and wipers work properly.

NOTE

- Do not connect cables and leads to both RCA cable input jacks and the speaker level input terminals simultaneously, for this may cause malfunction or damage.

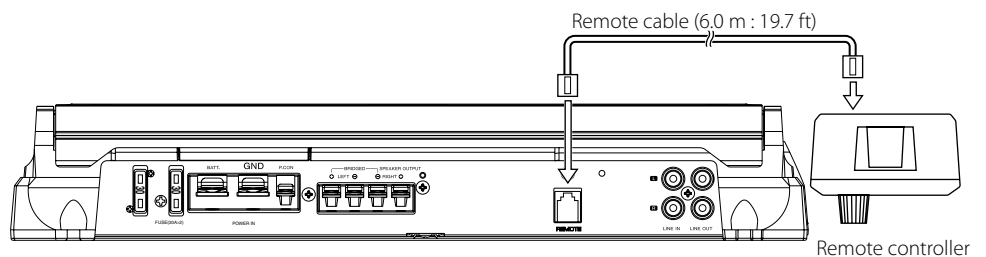
* Commercially available parts

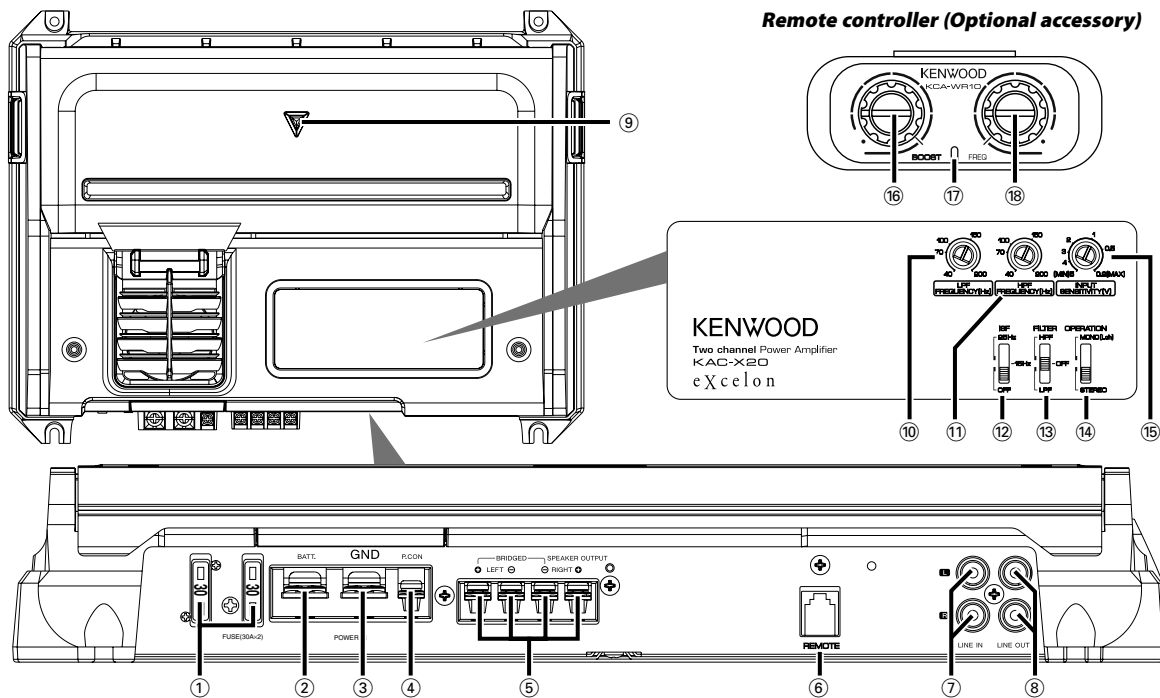


■ Remote cable connection (Optional accessory)

⚠ CAUTION

- Before connecting the remote controller cables, always turn the Bass boost level knob all the way to the left.





Remote controller (Optional accessory)

NOTE

The control panel locates under the dressing cover. Remove the cover to access to its controls for adjustment. (See page 3)

- ① **Fuse (30 A × 2)**
- ② **Battery terminal**
- ③ **Ground terminal**
- ④ **Power control terminal**

Controls the unit ON/OFF.

NOTE

Controls the unit power. Be sure to connect it with all the systems.

- ⑤ **Speaker output terminals**

• Stereo Connections:

When you wish to use the unit as a stereo amplifier, stereo connections are used. The speakers to be connected should have an impedance of 2Ω or greater. When multiple speakers are to be connected, ensure that the combined impedance is 2Ω or greater for each channel.

• Bridged Connections:

When you wish to use the unit as a high-output monaural amplifier, bridged connections are used. (Make connections to the LEFT channel ⊕ and the RIGHT channel ⊖ SPEAKER OUTPUT terminals.)

The speakers to be connected should have an impedance of 4Ω or greater. When multiple speakers are to be connected, ensure that the combined impedance is 4Ω or greater.

CAUTION

The rated input of the speakers should be no less than the maximum output of the amplifier. Otherwise malfunction may result.

- ⑥ **REMOTE terminal**

Connects the Remote cable.

NOTE

Use the Remote cable of the accessory.

- ⑦ **LINE IN terminal**
- ⑧ **LINE OUT terminal**

The signal that's input from the line input terminal is output.

- ⑨ **Power indicator**

When the power is turned on, the Power indicator lights. If the Power indicator does not light when the power is turned on, the protection function may be activated. Check whether there is any indication of trouble. (See page 2)

- ⑩ **LPF FREQUENCY control**
Sets the cutoff frequency when the "FILTER" switch is set to "LPF".
- ⑪ **HPF FREQUENCY control**
Sets the cutoff frequency when the "FILTER" switch is set to "HPF".
- ⑫ **ISF (infrasonic filter) switch**
Ultralow frequencies that cannot be reproduced even by a subwoofer speaker do not become sound but become unnecessary oscillations, which affect the sound by causing distortion, etc. Setting this switch to "15 Hz" or "25 Hz" cuts the frequencies below the respective frequency. This improves the reproduction performance of the speakers by eliminating unnecessary oscillations which will not become sound.

- ⑬ **FILTER switch**

This switch allows to apply high-pass or low-pass filtering to the speaker outputs.

- **HPF (High-Pass Filter) position:**
The filter outputs the band of higher frequencies than the frequency set with the "HPF FREQUENCY" control.
- **OFF position:**
The entire bandwidth is output without filtering.
- **LPF (Low-Pass Filter) position:**
The filter outputs the band of lower frequencies than the frequency set with the "LPF FREQUENCY" control. The speaker output is automatically switched to monaural (L+R).

- ⑭ **OPERATION switch**

This switch is used to select the operation mode of the amplifier.

- **STEREO position:**
The amplifier can be used as a stereo amplifier.
- **MONO (Lch) position:**
Amplifies the signal input from the left side only. Set to this position and make bridged connections to use as a high-power monaural amplifier. (The input right signal is not output.)

- ⑮ **INPUT SENSITIVITY control**

Set this control according to the pre-output level of the center unit connected with this unit.

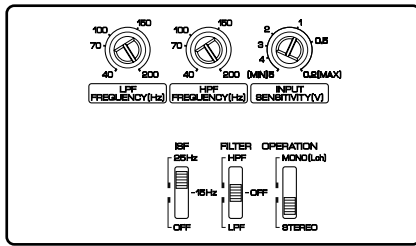
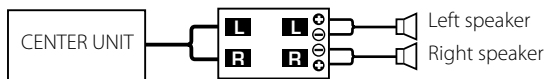
NOTE

For the pre-output level, refer to the <Specifications> in the instruction manual of the center unit.

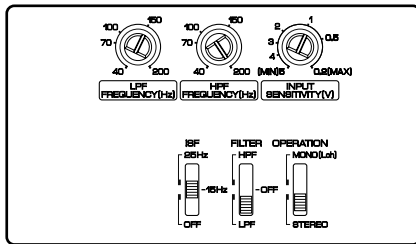
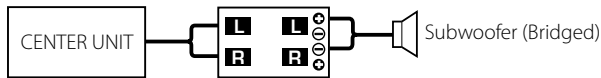
- ⑯ **BOOST LEVEL (Bass boost level) control**
Sets the level by which the low frequency range should be boosted.
- ⑰ **Power indicator**
- ⑱ **FREQUENCY (Bass boost frequency) control**
Sets the center frequency around which the low frequency range should be boosted.

System examples

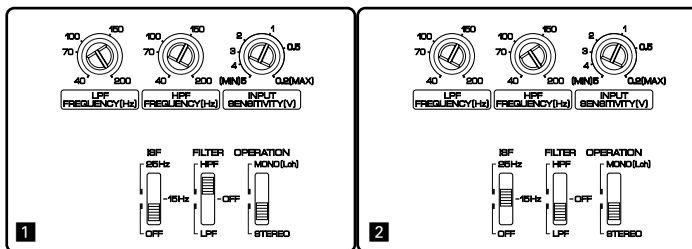
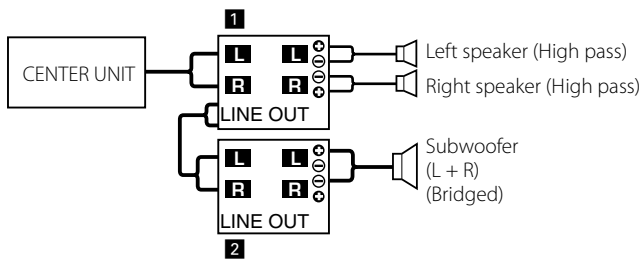
■ 2-channel system



■ Subwoofer system



■ 2-channel + Subwoofer system



Troubleshooting Guide

What might appear to be a malfunction in your unit may just be the result of slight misoperation or miswiring. Before calling service, first check the following table for possible problems.

PROBLEM	POSSIBLE CAUSE	SOLUTION
No sound. (No sound from one side.) (Blown fuse.)	<ul style="list-style-type: none"> Input (or output) cables are disconnected. Protection circuit may be activated. Volume is too high. The speaker cord is shorted. 	<ul style="list-style-type: none"> Connect the input (or output) cables. Check connections by referring to <Protection function>. Replace the fuse and use lower volume. After check the speaker cord and fixing the cause of the short, replace the fuse.
The output level is too small (or too large).	<ul style="list-style-type: none"> The input sensitivity adjusting control is not set to the correct position. 	<ul style="list-style-type: none"> Adjust the control correctly referring to <Controls>.
The sound quality is bad. (The sound is distorted.)	<ul style="list-style-type: none"> The speakers wire are connected with wrong ⊕ / ⊖ polarity. A speaker wire is pinched by a screw in the car body. The switches may be set improperly. 	<ul style="list-style-type: none"> Connect them properly checking the ⊕ / ⊖ of the terminals and wires well. Connect the speaker wire again so that it is not pinched by anything. Set switches properly by referring to <System examples>.
The Remote Controller does not function.	<ul style="list-style-type: none"> The Remote Cable is disconnected. 	<ul style="list-style-type: none"> Connect the Remote Cable securely and correctly.

Specifications

Specifications subject to change without notice.

CEA-2006

RMS Watts per channel @ 4 ohms, 1 % THD+N.....180 W × 2
Signal to Noise Ratio (Reference: 1Watt into 4 ohms)..... 80 dBA



Audio Section

Max Power Output.....1000 W
Rated Power Output (+B = 12.0 V)
Normal (4 Ω) (20 Hz – 20 kHz, 0.05 % THD).....120 W × 2
(2 Ω) (1 kHz, 0.5 % THD).....160 W × 2
Bridged (4 Ω) (1 kHz, 0.5 % THD).....320 W × 1
Rated Power Output (+B = 14.4 V)
Normal (4 Ω) (20 Hz – 20 kHz, 0.05 % THD).....180 W × 2
(2 Ω) (1 kHz, 0.5 % THD).....260 W × 2
Bridged (4 Ω) (1 kHz, 0.5 % THD).....520 W × 1
Sensitivity (rated output) (MAX.)0.2 V
(MIN.)5.0 V
Input Impedance.....10 kΩ
Frequency Response (+0, -3 dB).....5 Hz – 70 kHz
Signal to Noise Ratio.....105 dB
Low Pass Filter Frequency (-24 dB/oct.)40 – 200 Hz (variable)
High Pass Filter Frequency (-12 dB/oct.)40 – 200 Hz (variable)
Infrasonic Filter Frequency (-24 dB/oct.)15 / 25 Hz
Bass Boost Circuit0 – +18 dB (variable)
Bass Boost Frequency40 – 100 Hz (variable)

General

Operating Voltage..... 14.4 V (11 – 16 V allowable)
Current Consumption47 A
Installation Size (W × H × D).....380 × 65 × 286 mm
14-15/16 × 2-9/16 × 11-1/4 inch
Weight4.6 kg (10.1 lbs)

Précautions de sécurité

⚠ AVERTISSEMENT

Pour éviter toute blessure et/ou incendie, veuillez prendre les précautions suivantes:

- Si vous prolongez un câble de batterie ou de masse, assurez vous d'utiliser un câble pour automobile ou un câble avec une section de 8 mm² (AWG8) afin d'éviter tous risques de détérioration ou d'endommagement du revêtement des câbles.
- Pour éviter les court-circuits, ne jamais mettre ou laisser d'objets métalliques (comme une pièce de monnaie ou un outil en métal) à l'intérieur de l'appareil.
- Si l'appareil commence à émettre de la fumée ou une odeur bizarre, mettez immédiatement l'appareil hors tension et consultez un revendeur Kenwood.
- Ne pas toucher l'appareil quand il est en service car la température de sa surface est suffisamment élevée pour provoquer des brûlures.
- Le montage et le câblage de ce produit nécessite des compétences et de l'expérience. Pour des raisons de sécurité, laissez un professionnel effectuer le travail de montage et de câblage.

⚠ ATTENTION

Pour éviter tout dommage à l'appareil, veuillez prendre les précautions suivantes:

- Bien vérifier que l'appareil est raccordé à une source d'alimentation CC de 12 V avec raccordement de masse négative.
- N'ouvrez pas le couvercle supérieur ou inférieur de l'appareil.
- N'installez pas l'appareil dans un endroit exposé directement à la lumière du soleil, à une chaleur excessive ou à l'humidité. Évitez aussi les endroits trop poussiéreux et où l'appareil risque d'être éclaboussé.
- Lors du remplacement d'un fusible, utilisez seulement un fusible neuf avec la valeur indiquée. L'utilisation d'un fusible d'une valeur différente peut être la cause d'un mauvais fonctionnement de votre appareil.
- Pour éviter les courts-circuits lors du remplacement d'un fusible, déconnectez d'abord le faisceau de câbles.

REMARQUE

- Si vous rencontrez des problèmes pendant l'installation, consultez votre revendeur Kenwood.
- Si l'appareil semble ne pas fonctionner correctement, consultez votre revendeur Kenwood.

Nettoyage de l'appareil

Si la surface de l'appareil sale, l'essuyer avec un chiffon au silicone ou un chiffon doux et sec après avoir éteint l'appareil.

⚠ ATTENTION

N'essayez pas le panneau avec un tissu rugueux ou imprégné de dissolvant volatil comme un diluant à peinture ou de l'alcool. Il pourrait rayer la surface du panneau et/ou écailler les lettres d'informations.

Comment éviter une élévation de la batterie

Lorsque l'unité est utilisée avec l'ACC sur ON, sans que le moteur ne soit allumé, cela décharge la batterie. Il est préférable de l'utiliser après avoir allumé le moteur.

Fonction de protection

La fonction de protection se met en service dans les cas suivants

Cet appareil est pourvu d'une fonction de protection de l'appareil lui-même et des haut-parleurs de manière à éviter divers incidents.

Lorsque la fonction de protection est déclenchée, l'indicateur POWER s'éteint et l'amplificateur s'arrête de fonctionner.

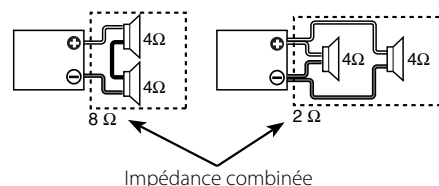
- Si un cordon de liaison aux haut-parleurs est en court-circuit.
- Une sortie de haut-parleur est mise à la masse.
- Une tension continue est appliquée sur les sorties vers les haut-parleurs en raison d'un défaut de fonctionnement de l'appareil.
- Lorsque la température interne est trop élevée et que l'appareil ne fonctionne pas.
- Lorsque le fil de masse de l'unité centrale (récepteur/lecteur de cassette, récepteur/lecteur de CD, etc.) ou le fil de masse de cet appareil n'est plus relié à une partie métallique du véhicule servant de masse électrique et permettant le passage du courant vers le pôle négatif ⊖ de la batterie.

Câblage

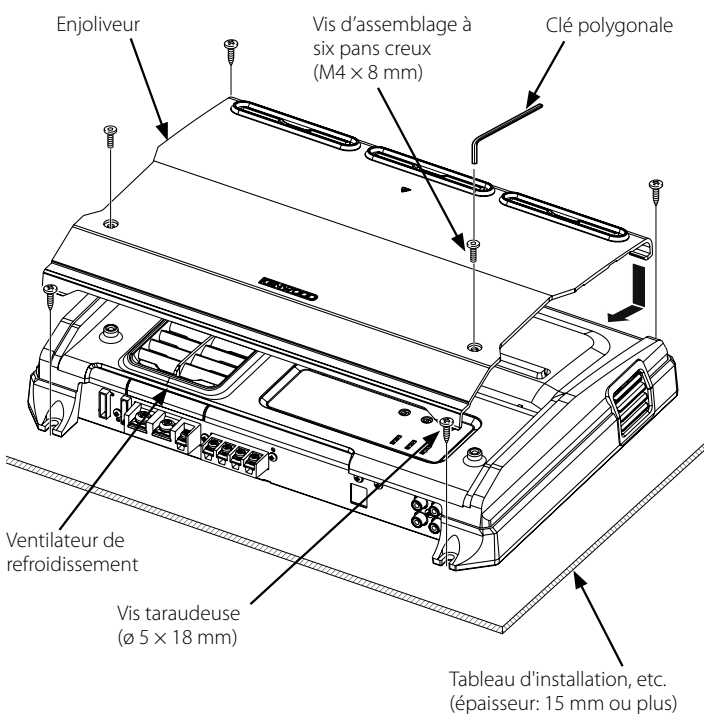
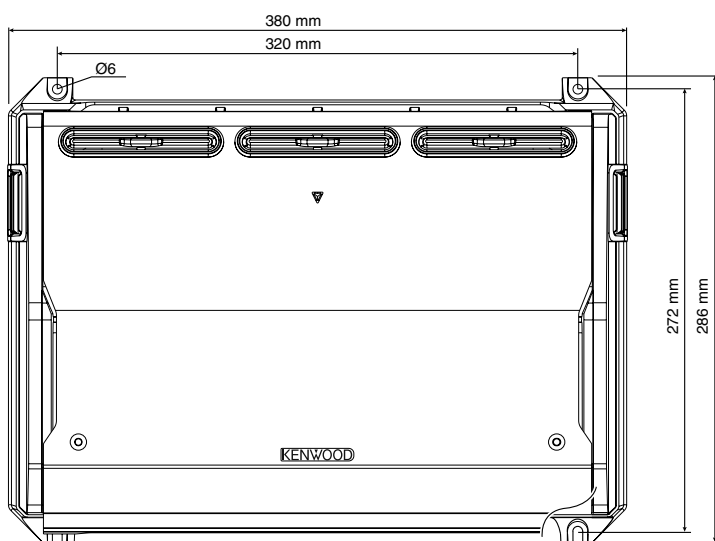
- Pour cette unité, brancher le cordon de la batterie directement à la batterie. Si celui-ci est connecté à l'installation électrique du véhicule, l'installation peut disjoncter etc.
- Si un ronronnement se fait entendre dans les haut-parleurs lorsque le moteur tourne, fixer un filtre antiparasite de ligne (en option) au câble de la batterie.
- Utiliser un passe-câble de manière que le cordon ne soit pas en contact avec le tablier.
- Relier les fils de masse à une partie métallique du châssis du véhicule qui soit en mesure de jouer le rôle de masse électrique et donc de laisser passer le courant vers le pôle négatif ⊖ de la batterie. Ne pas mettre l'appareil sous tension si les fils de masse ne sont pas reliés.
- Assurez-vous de mettre en place un fusible protégeant le cordon d'alimentation situé près de la batterie. Ce fusible doit avoir un pouvoir de coupure égal ou légèrement supérieur à celui de l'unité.
- En ce qui concerne le cordon d'alimentation et la terre, il est conseillé d'utiliser un cordon d'alimentation électrique pour voiture (inflammable) dont l'intensité sera supérieure au pouvoir de coupure du fusible de l'unité. (Utiliser un cordon d'alimentation d'un diamètre égal ou supérieur à 8 mm² (AWG 8).)
- Lorsque plus d'un amplificateur de puissance doivent être utilisés, utiliser un câble de câblage d'alimentation et un fusible de sécurité dont la limite de tension est supérieure au courant total maximum tiré par chaque amplificateur.

Sélection des haut-parleur

- La puissance d'entrée nominale des haut-parleur qui vont être connectées doit être supérieure à la puissance de sortie maximum (en Watts) de l'amplificateur. L'utilisation d'un haut-parleur dont la puissance d'entrée nominale est inférieure à la puissance de sortie de l'amplificateur entraînera l'émission de fumée, ainsi que des dommages.
- L'impédance des haut-parleur qui vont être connectées doit être de minimum 2Ω (pour des connexions stéréo) ou de minimum 4Ω (pour des connexions pontées). Lorsque plus d'un jeu d'haut-parleur va être utilisé, calculer l'impédance combinée des haut-parleur et connecter ensuite les haut-parleur appropriées à l'amplificateur.



Installation



Accessoires

Nom de la pièce	Vue extérieure	Quantité
Vis taraudeuses (Ø5 x 18 mm)		4
Cache de bornier (Borne d'alimentation)		1
Clé polygonale		1

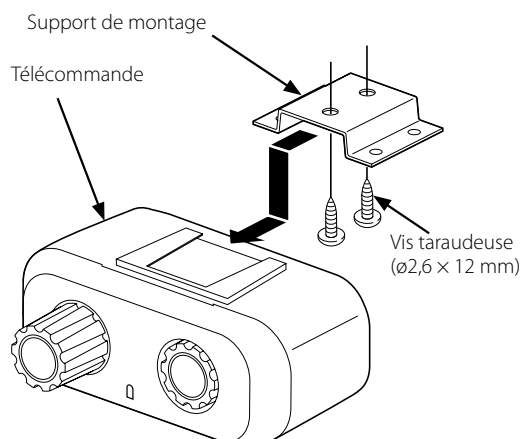
Procédure d'installation

- Etant donné que le nombre de réglages et de raccordements est assez important, il importe de prendre pleinement connaissance du mode d'emploi.
1. Retirer la clé de contact et débrancher la borne négative \ominus de la batterie pour éviter les court-circuits.
 2. Régler l'appareil en fonction de l'utilisation désirée.
 3. Raccorder les câbles d'entrée et de sortie de l'appareil.
 4. Raccorder les câbles de haut-parleur.
 5. Relier, dans l'ordre, le câble d'alimentation, le câble de commande d'alimentation et le câble de masse.
 6. Mettre en place les accessoires d'installation sur l'unité.
 7. Brancher l'unité.
 8. Installez la télécommande. (accessoire en option)
 9. Raccorder la borne négative \ominus de la batterie.

▲ ATTENTION

- Ne pas procéder à l'installation de l'appareil si vous vous trouvez dans l'un des lieux suivants; (Lieu instable, Lieu où la conduite du véhicule peut être gênée, Lieu exposé à l'humidité, Lieu exposé à la poussière, Lieu surchauffé, Lieu exposé directement à la lumière du jour, Lieu exposé à l'air chaud)
- Ne pas recouvrir l'appareil d'une nappe, tapis, etc; la chaleur qui s'accumulerait risque d'endommager l'appareil.
- Installer cet appareil à un emplacement tel que la chaleur puisse se dissiper aisément.
- Après l'installation, ne placer aucun objet sur l'appareil.
- La surface de l'amplificateur va chauffer pendant l'utilisation. Installer l'amplificateur à un endroit où des passagers, de la résine ou d'autres substances sensibles à la chaleur n'entreront pas en contact avec lui.
- Cette unité dispose d'un ventilateur de refroidissement permettant d'abaisser la température interne. Ne pas monter l'unité dans un endroit où le ventilateur de refroidissement et les conduites de l'unité sont bloqués. En effet, si la chaleur interne ne peut pas être éliminée par la ventilation de l'appareil, une anomalie de fonctionnement peut aisément survenir.
- Lors du forage d'un trou sous le siège, à l'intérieur du coffre ou partout ailleurs dans le véhicule, vérifier s'il n'y a pas d'éléments dangereux de l'autre côté, tel qu'un réservoir à carburant, une conduite de frein, une gaine de câbles, et faire attention de ne pas faire de griffes ou d'autres dégâts.
- Ne pas l'installer près du tableau de bord, de la plage arrière ou d'éléments de sécurité de l'airbag.
- Lors de l'installation dans un véhicule, l'appareil doit être fermement fixé à un endroit où il ne gênera pas la conduite. Si l'appareil se détache suite à un choc et heurte quelqu'un ou un élément de sécurité, il peut occasionner des blessures ou un accident.
- Après installation de l'appareil, s'assurer que les différents équipements électriques tels que lampes frein et les clignotants de direction fonctionnent normalement.

■ Télécommande (accessoire en option)



Accessoires

Nom de la pièce	Vue extérieure	Quantité
Câble de la télécommande (6,0 m : 19,7 ft)		1
Télécommande		1
Support de montage		1
Vis taraudeuses (Ø2,6 x 12 mm)		2

Raccordements

⚠ AVERTISSEMENT

Pour éviter tout incendie dû à un court-circuit, insérer un fusible ou un coupe-circuit à proximité de la borne de la batterie.



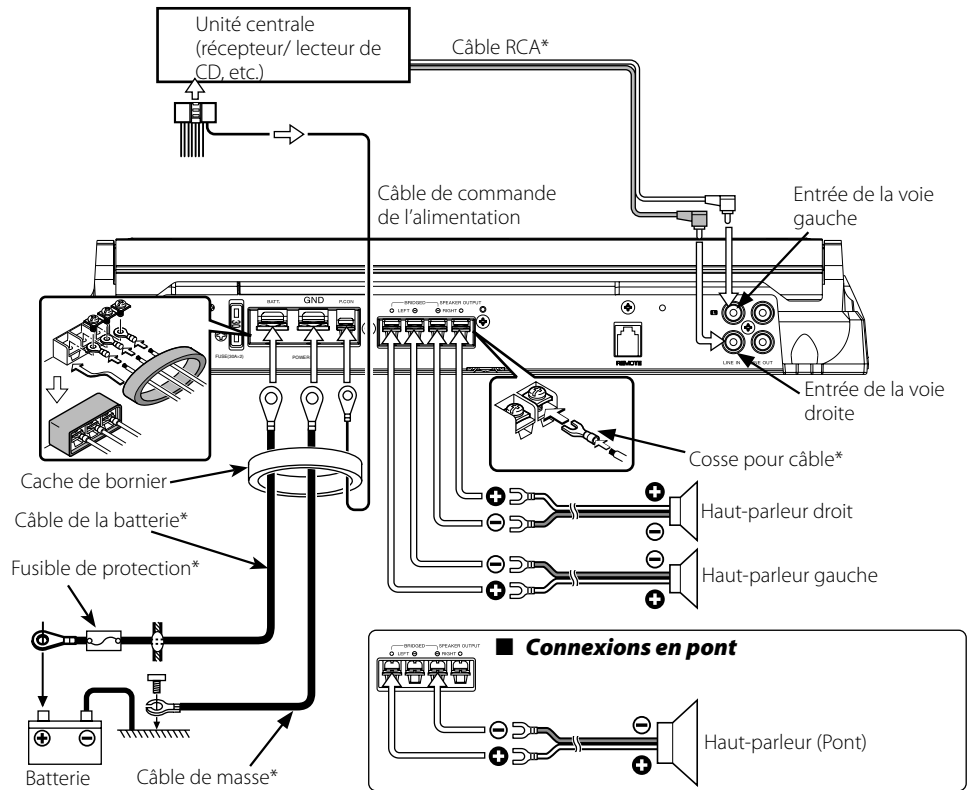
⚠ ATTENTION

- En cas d'anomalie, mettre immédiatement l'appareil hors tension et vérifier tous les raccordements.
- Veiller à mettre l'appareil hors tension avant de changer la position des commutateurs.
- Si le fusible saute, vérifier si les câbles ne sont pas court-circuités, et remplacer le fusible par un autre fusible de même capacité nominale.
- Vérifier qu'aucun câble ou connecteur non raccordé ne touche la carrosserie de la voiture. Ne pas retirer les capuchons des câbles ou connecteurs non raccordés afin d'éviter tout court-circuit.
- Raccorder séparément les câbles de haut-parleur aux connecteurs de haut-parleur appropriés. La mise en commun du câble négatif d'un haut-parleur ou des fils de masse des haut-parleurs à la carrosserie métallique de la voiture pourrait rendre l'appareil inopérant.
- Après l'installation, vérifier que les voyants de frein, les clignotants et les essuie-glace fonctionnent correctement.

REMARQUE

- Ne pas raccorder des câbles ou conducteurs à la fois aux prises de sortie pour câble RCA et aux prises d'entrée de haut-parleur car l'appareil risquerait d'être endommagé ou de mal fonctionner.

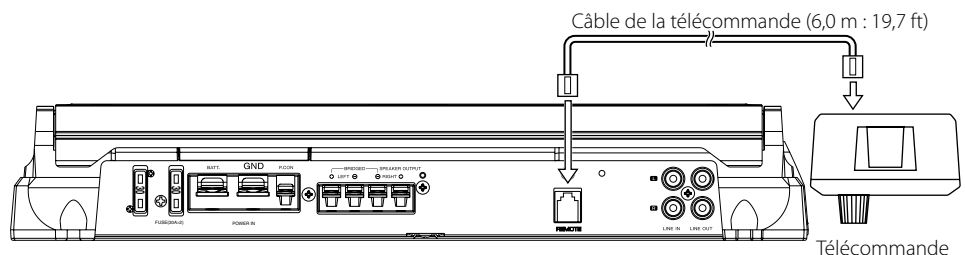
* disponible dans le commerce

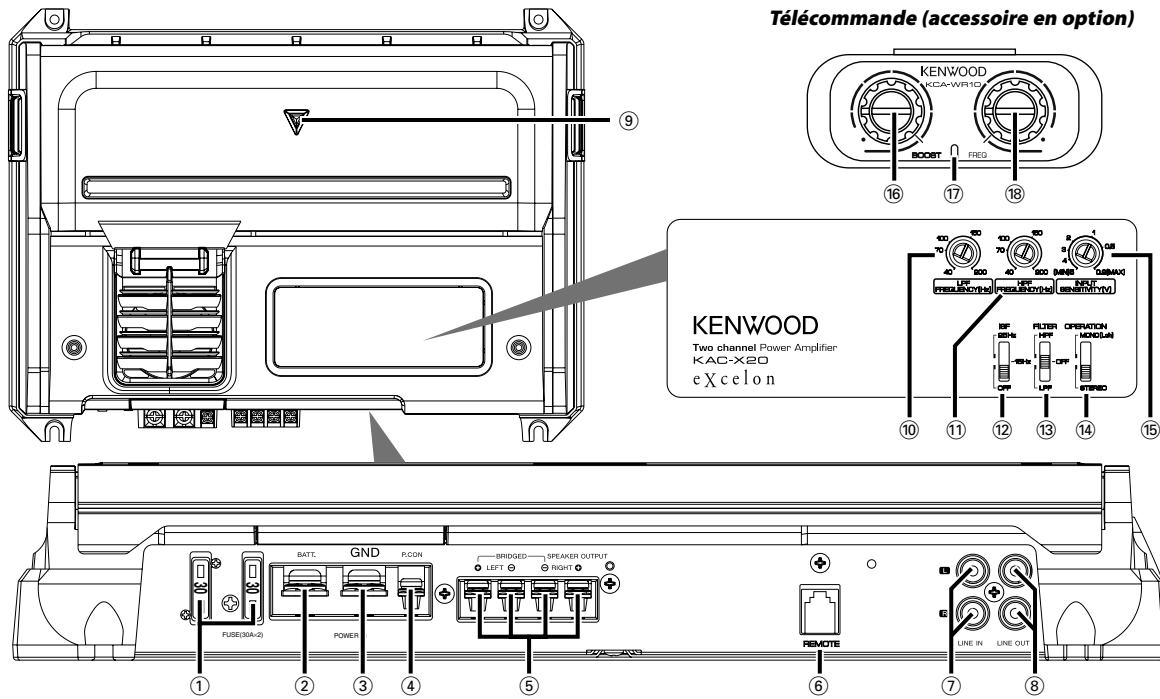


■ Connexion du câble de la télécommande (accessoire en option)

⚠ ATTENTION

- Avant de brancher les câbles de commande à distance, tournez toujours le bouton de réglage d'amplification des basses au maximum vers la gauche.





Télécommande (accessoire en option)

REMARQUE

Le panneau de commande se situe sous l'enjoliveur. Retirez le couvercle pour accéder aux commandes de réglage. (Voir page 9)

- ① **FUSIBLE (30 A × 2)**
- ② **Borne BATT (alimentation)**
- ③ **Borne GND (masse)**
- ④ **Borne P.CON (fil de commande d'alimentation)**
Commande l'unité ON/OFF.

REMARQUE

Commande l'unité d'alimentation. Assurez-vous de le connecter à l'ensemble des différents systèmes.

⑤ **Bornes SPEAKER OUTPUT**

• **Connexions stéréo:**

Pour utiliser l'appareil comme amplificateur stéréo, des connexions stéréo doivent être utilisées.

Les haut-parleurs à connecter doivent avoir une impédance de 2 ohms ou supérieure. Lorsque plusieurs haut-parleurs doivent être connectés, s'assurer que l'impédance combinée soit de 2 ohms ou supérieure pour chaque canal.

• **Connexions en pont:**

Pour l'utilisation de l'appareil comme amplificateur monophonique à haute puissance de sortie, des connexions en pont doivent être utilisées. (Faire les connexions aux bornes SPEAKER OUTPUT du canal gauche (LEFT) ⊕ et du canal droit (RIGHT) ⊖.)

Les haut-parleurs à connecter doivent avoir une impédance de 4 ohms ou supérieure. Lorsque plusieurs haut-parleurs doivent être connectés, s'assurer que l'impédance combinée soit de 4 ohms ou supérieure.

⚠ ATTENTION

La puissance admissible par les haut-parleurs doit être au moins égale à la puissance de sortie de l'amplificateur. Dans le cas contraire, une anomalie de fonctionnement peut survenir.

⑥ **Borne REMOTE**

Connectez le câble de la télécommande.

REMARQUE

Utilisez le câble de télécommande de l'accessoire.

⑦ **Borne d'entrée de ligne (LINE IN)**

⑧ **Sortie de ligne (LINE OUT)**

Le signal entrant du terminal d'entrée de ligne constitue la sortie.

⑨ **Indicateur Power**

Lorsque l'alimentation est activée, l'indicateur POWER s'allume.

Si l'indicateur POWER ne s'allume pas lorsque l'alimentation est activée, la fonction de protection pourrait se déclencher. Vérifier s'il y a un problème. (Voir page 8)

⑩ **Commande LPF FREQUENCY**

Cette commande permet de préciser la fréquence de coupure quand le commutateur "FILTER" est sur la position "LPF".

⑪ **Commande HPF FREQUENCY**

Cette commande permet de préciser la fréquence de coupure quand le commutateur "FILTER" est sur la position "HPF".

⑫ **Commutateur ISF (filtre infrasonore)**

Les fréquences très graves que même un haut-parleur d'extrêmes graves n'est pas en mesure de reproduire, génèrent des oscillations parasites qui altèrent les sons audibles et les déforment, etc. En plaçant le commutateur sur la position "15Hz" ou "25Hz", vous mettez en service le filtre passe-haut ayant une de ces valeurs, ou l'autre, pour fréquence de coupure.

Cette disposition permet d'accroître les performances des haut-parleurs qui ne sont plus tenus de reproduire des vibrations inutiles puisqu'elles ne sont pas perçues par l'oreille.

⑬ **Commutateur FILTER**

Ce commutateur permet d'effectuer un filtrage des graves, ou des aigus, appliqués vers les haut-parleurs.

• **Position HPF (Filtre passe-haut):**

Le filtre laisse passer les fréquences supérieures à la fréquence précisée au moyen de la commande "HPF FREQUENCY".

• **Position OFF :**

Le filtre n'agit pas, autrement dit tout le spectre des fréquences est présent en sortie.

• **Position LPF (Filtre passe-bas):**

Le filtre laisse passer les fréquences inférieures à la fréquence précisée au moyen de la commande "LPF FREQUENCY". La sortie d'enceinte est commutée automatiquement sur monaural (G+D).

⑭ **Commutateur OPERATION**

Ce commutateur permet de choisir le mode de fonctionnement de l'amplificateur.

• **Position STEREO:**

L'amplificateur peut être utilisé en tant qu'amplificateur stéréo.

• **Position MONO(Lch):**

Seul le signal présent à l'entrée de la voie gauche est amplifié. Utiliser cette position et effectuer les pontages pour disposer d'un amplificateur monaural de plus forte puissance. (Le signal d'entrée droite n'est pas reproduit.)

⑮ **Commande INPUT SENSITIVITY (sensibilité d'entrée)**

Régler cette commande selon le niveau de pré-sortie de l'unité centrale branché à cet amplificateur.

REMARQUE

Se référer à la section <Spécifications> du manuel des instructions de l'unité centrale à propos du niveau de pré-sortie.

⑯ **Commande BOOST LEVEL (Niveau d'amplification des basses fréquences)**

Règle le niveau d'amplification de la gamme des basses fréquences.

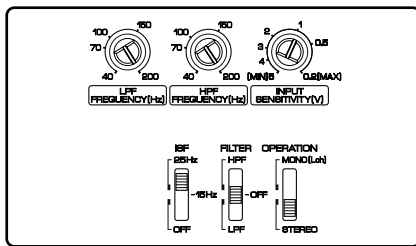
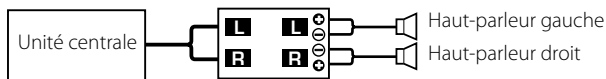
⑰ **Indicateur Power**

⑱ **Commande FREQUENCY (Fréquence d'amplification des basses)**

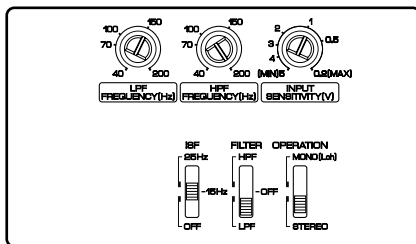
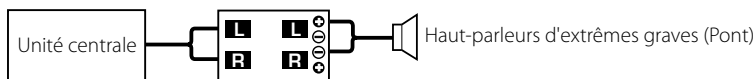
Règle la fréquence centrale autour de laquelle la gamme de basse fréquence doit être amplifiée.

Exemple de configuration

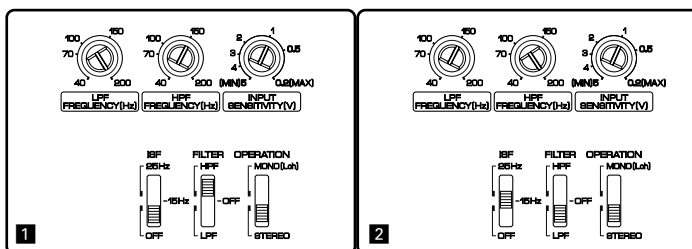
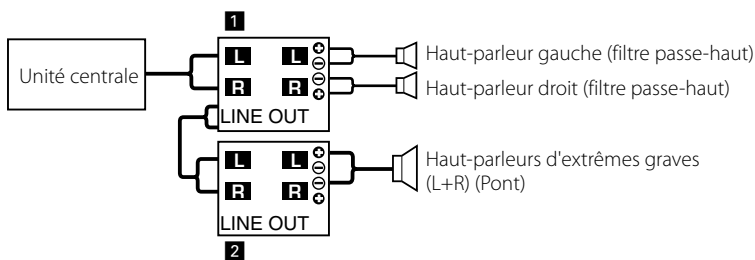
■ Système 2 voies



■ Système extrêmes graves



■ Système 2 voies + enceinte d'extrêmes graves



Guide de dépannage

Ce qui peut apparaître comme un mauvais fonctionnement de votre appareil n'est peut être que le résultat d'une mauvaise opération ou d'une mauvaise connexion. Avant d'appeler un centre de service, vérifiez d'abord dans le tableau suivant les problèmes possibles.

PROBLEME	CAUSE POSSIBLE	SOLUTION
Absence de sons. (Pas de son d'un côté) (Fusible grillé)	<ul style="list-style-type: none"> Les câbles d'entrée (ou de sortie) sont débranchés. Le circuit de protection peut être actionné. Le volume est trop fort. Les fils de raccordement d'enceinte sont en court-circuit. 	<ul style="list-style-type: none"> Brancher les câbles d'entrée (ou de sortie). Vérifier les raccordements en se reportant au paragraphe <Fonction de protection>. Remplacez le fusible et utilisez un niveau de volume plus faible. Après avoir vérifié le câble d'enceinte et réparé la cause du court-circuit, remplacez le fusible.
Niveau de sortie trop faible (ou trop fort).	<ul style="list-style-type: none"> La commande de réglage de la sensibilité d'entrée n'est pas amenée sur la bonne position. 	<ul style="list-style-type: none"> Faire le réglage correctement en se reportant aux indications données en <Contrôles>.
La qualité sonore est mauvaise. (Le son est distordu.)	<ul style="list-style-type: none"> Les câbles de haut-parleur ont été raccordés en inversant la polarité (+/-). Un câble de haut-parleur est pincé par une vis dans le châssis de la voiture. Les commutateurs ne sont peut-être pas positionnés comme il convient. 	<ul style="list-style-type: none"> Raccorder correctement en respectant les indications ⊕ et ⊖ des bornes et des câbles. Rebrancher le câble de haut-parleur en évitant tout pincement Positionner les commutateurs en tenant compte des indications fournies aux paragraphes <Exemples de système>.
La télécommande ne fonctionne pas.	<ul style="list-style-type: none"> Le câble de la télécommande est déconnecté. 	<ul style="list-style-type: none"> Connectez le câble de la télécommande correctement et complètement.

Spécifications

Les spécifications sont sujettes à changements sans notification.

CEA-2006

RMS (pression acoustique efficace) Watts par canal @ 4 ohms, 1 % THD+N.....180 W × 2
 Taux signal/bruit (référence : 1 Watt/4 ohms)..... 80 dBA



Section audio

Puissance de sortie max.....1000 W
 Puissance de sortie nominale (+B = 12,0 V)
 Normal (4 Ω) (20 Hz – 20 kHz, 0,05 % THD).....120 W × 2
 (2 Ω) (1 kHz, 0,5 % THD).....160 W × 2
 En pont (4 Ω) (1 kHz, 0,5 % THD).....320 W × 1
 Puissance de sortie nominale (+B = 14,4 V)
 Normal (4 Ω) (20 Hz – 20 kHz, 0,05 % THD).....180 W × 2
 (2 Ω) (1 kHz, 0,5 % THD).....260 W × 2
 En pont (4 Ω) (1 kHz, 0,5 % THD).....520 W × 1
 Sensibilité (puissance nominale) (MAX.)..... 0,2 V
 (MIN.) 5,0 V
 Impédance d'entrée.....10 kΩ
 Réponse en fréquence (+0, -3 dB) 5 Hz – 70 kHz
 Taux de Signal/Bruit105 dB
 Fréquence du filtre passe-bas (-24 dB/oct.).....40 – 200 Hz (variable)
 Fréquence du filtre passe-haut (-12 dB/oct.).....40 – 200 Hz (variable)
 Fréquence de coupure du filtre infrasonore (-24 dB/oct.)15 / 25 Hz
 Circuit d'amplification des basses0 – +18 dB (variable)
 Fréquence d'amplification des basses40 – 100 Hz (variable)

Général

Tension de fonctionnement..... 14,4 V (11 – 16V admissible)
 Courant absorbé47 A
 Taille d'installation (L × H × P).....380 × 65 × 286 mm
 14 -15/16 × 2-9/16 × 11-1/4 pouce
 Masse4,6 kg (10,1 lbs)

Precauciones de seguridad

▲ADVERTENCIA

Para evitar el riesgo de lesiones y/o fuego, observe las siguientes precauciones:

- Cuando extienda los cables de la batería o de masa, asegúrese de utilizar cables para automóviles u otros cables que tengan un área de 8 mm^2 (AWG8) o más, para evitar el deterioro del cable y daños en su revestimiento.
- Para evitar cortocircuitos, nunca coloque ni deje objetos metálicos (por ejemplo, monedas o herramientas metálicas) dentro de la unidad.
- Si nota que la unidad emite humos u olores extraños, desconecte inmediatamente la alimentación y consulte con su distribuidor Kenwood.
- No toque el aparato mientras lo utiliza porque su superficie se calienta y puede causar quemaduras si se toca.
- La instalación y cableado de este producto requiere de habilidad y experiencia. Por motivos de seguridad, deja la labor de instalación y montaje en manos de profesionales.

▲PRECAUCIÓN

Para evitar daños en la unidad, tome las siguientes precauciones:

- Asegúrese de que la unidad está conectada a un suministro de alimentación de CC de 12V con una conexión de toma de tierra negativa.
- No abra las cubiertas superior o inferior de la unidad.
- No instale la unidad en un sitio expuesto a la luz directa del sol, o excesivamente húmedo o caluroso. Asimismo evite los lugares muy polvorientos o sujetos a salpicaduras de agua.
- Cuando tenga que reemplazar un fusible, utilice únicamente uno del régimen prescrito. El uso de un fusible de régimen incorrecto podría ocasionar un funcionamiento defectuoso de la unidad.
- Para evitar cortocircuitos mientras sustituye el fusible, desconecte previamente el mazo de conductores.

NOTA

- Si tiene problemas durante la instalación, consulte con su distribuidor Kenwood.
- Si la unidad no está funcionando correctamente, consulte con su distribuidor Kenwood.

Limpieza de la unidad

Si la superficie de la unidad está sucia, apague la unidad y limpie con un paño siliconado suave y seco.

▲PRECAUCIÓN

No limpie el panel con un paño áspero o humedecido con disolventes volátiles tales como diluyente de pintura o alcohol. Su uso podría rayar la superficie del panel y/o hacer que se despeguen las letras indicadoras.

Para evitar agotar la batería

Cuando la unidad se utiliza en la posición ACC ON sin CONECTAR el motor, agota la batería. Utilícelo después de arrancar el motor.

Función de protección

La función de protección se activa en los casos siguientes:

Este aparato está equipado con una función de protección que protege el aparato y los altavoces de diversos accidentes y problemas que pueden ocurrir. Cuando la función de la protección está activada, el indicador de POWER se apaga y el amplificador se interrumpe.

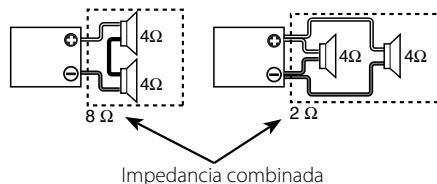
- Cuando un cable de altavoz puede estar cortocircuitado.
- Cuando la salida de un altavoz entra en contacto con masa.
- Cuando el aparato funciona mal y se envía una señal de DC a la salida de los altavoces.
- Cuando la temperatura interna sea alta y la unidad no funcione.
- Cuando un cable de masa del aparato central (receptor-reproductor de casetes, reproductor de discos compactos, etc.) de este aparato no está conectado a una pieza metálica que sirve de paso de electricidad hasta el borne negativo \ominus de la batería.

Cableado

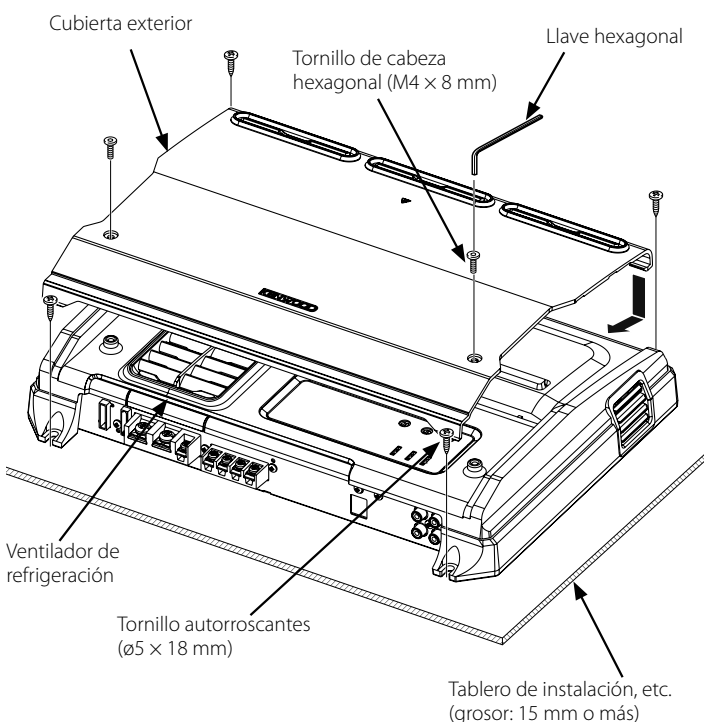
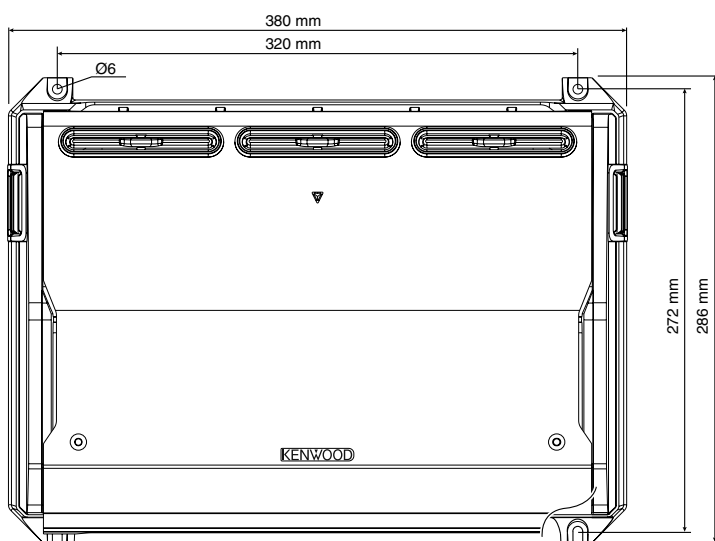
- Lleve el cable de la batería de esta unidad directamente desde la propia batería. Si se conectara al arnés del cableado del vehículo, puede provocar daños en los fusibles, etc.
- Si se produce un ruido de zumbido por los altavoces mientras funciona el motor, conecte un filtro de ruido de línea (vendido por separado) a cada cable de la batería.
- No permita que el cable entre en contacto directo con el borde de la placa de hierro, utilizando para ello arandelas de caucho.
- Conecte los cables de masa a una parte del chasis del automóvil que actúe como puesta a masa por donde pase la electricidad hasta el borne negativo \ominus de la batería. No conecte la alimentación si no están conectados los cables de masa.
- Asegúrese de instalar un fusible de protección en el cable de corriente cerca de la batería. El fusible positivo debería tener la misma capacidad que el de la unidad o algo mayor.
- Para el cable de corriente y la masa, utilice un cable de corriente para vehículos (ignifugo) con una capacidad mayor que la capacidad del fusible de la unidad. (Utilice un cable de corriente con un diámetro de 8 mm^2 (AWG 8) o mayor)
- Cuando desee utilizar más de un amplificador de potencia, utilice un cable de suministro de alimentación y un fusible de protección de una capacidad de soporte de corriente mayor a la corriente máxima total utilizada por cada amplificador.

Selección de altavoces

- La potencia de entrada asignada de los altavoces que se conecten al amplificador debe ser mayor que la potencia de salida máxima (en Wats) del amplificador. Utilizar altavoces que posean potencias de entrada menores a la salida de entrada del amplificador producirá emisiones de humo y daños.
- La impedancia de los altavoces que se conecten al amplificador debe ser de 2Ω o más (para las conexiones estéreo), o de 4Ω o más (para las conexiones en puente). Cuando desee utilizar más de un juego de altavoces, calcule la impedancia combinada de estos altavoces y luego conecte adecuadamente los altavoces al amplificador.



Instalación



Accesorios

Nombre de pieza	Vista exterior	Unidades
Tornillo autorroscantes (Ø5 x 18 mm)		4
Cubierta de terminales (Terminal del cable de alimentación)		1
Llave hexagonal		1

Procedimiento de instalación

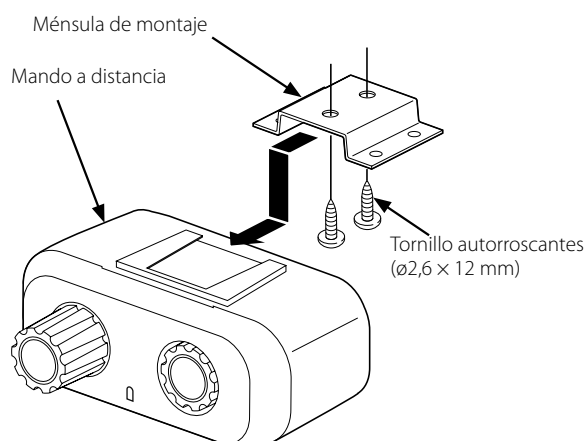
Como se puede hacer una gran variedad de ajustes y conexiones según las aplicaciones, lea atentamente el manual de instrucciones para seleccionar el ajuste y la conexión apropiados.

1. Retire la llave de encendido y desconecte el terminal negativo \ominus de la batería para evitar cortocircuitos.
2. Prepare el aparato según el uso que vaya a hacer de él.
3. Conecte los cables de entrada y salida de las unidades.
4. Conecte los cables del altavoz.
5. Conecte el cable de alimentación, el cable de control de alimentación y el cable de tierra en este orden.
6. Coloque los elementos de instalación en la unidad.
7. Coloque la unidad.
8. Instalación del controlador remoto. (accesorio opcional)
9. Conecte la terminal negativa \ominus de la batería.

▲PRECAUCIÓN

- No instale el equipo en las siguientes ubicaciones; (Ubicación inestable; En un lugar que interfiera a la conducción; En un lugar en el que pueda mojarse; En un lugar con exceso de polvo; En un lugar en el que pueda recalentarse; En un lugar en el que reciba la luz directa del sol; En un lugar situado en el flujo de aire caliente)
- No utilice el aparato bajo una alfombra porque en caso contrario, éste podría sobrecalentarse y estropearse.
- Instale este aparato en un lugar donde el calor pueda disiparse fácilmente. Una vez instalado, no ponga nada sobre él.
- La temperatura de la superficie del amplificador se elevará durante su uso. Instale el amplificador en un lugar seguro donde personas, resinas y otras sustancias sensibles al calor no entren en contacto con esta superficie.
- Esta unidad tiene un ventilador de refrigeración para reducir la temperatura interna. No instale la unidad en un lugar donde estén bloqueados el ventilador y los ductos de refrigeración. Al tapar estas aberturas no podrá reducirse adecuadamente la temperatura interior y podrá producirse un fallo en el funcionamiento.
- Cuando haga un orificio bajo el asiento o en el portaequipajes o en algún otro lugar del vehículo, verifique que no existan objetos peligrosos al lado opuesto tales como un tanque de gasolina, tubo del freno, o los alambres del cableado del coche y tenga cuidado de no rayar las piezas del vehículo o causar algún otro daño.
- No lo instale cerca del panel de controles, bandeja trasera, o piezas de seguridad del colchón de aire.
- La instalación de esta unidad debe ser realizada en un lugar donde no estorbe la conducción. Si la unidad se sale de su posición debido a un choque y golpea a una persona o a alguna pieza de seguridad, puede causar o un accidente.
- Después de instalar el aparato, cerciórese de que los equipos eléctricos (luces de freno, intermitentes y limpiadores) funcionen normalmente.

■ Mando a distancia (accesorio opcional)



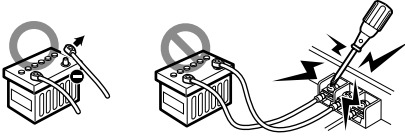
Accesorios

Nombre de pieza	Vista exterior	Unidades
Cable del mando a distancia (6,0 m : 19,7 ft)		1
Mando a distancia		1
Ménsula de montaje		1
Tornillo autorroscantes (Ø2,6 x 12 mm)		2

Conexiones

⚠ ADVERTENCIA

Para evitar incendios producidos por cortocircuitos en el cableado, conecte un fusible o cortacircuito entre la batería y los terminales de la batería.



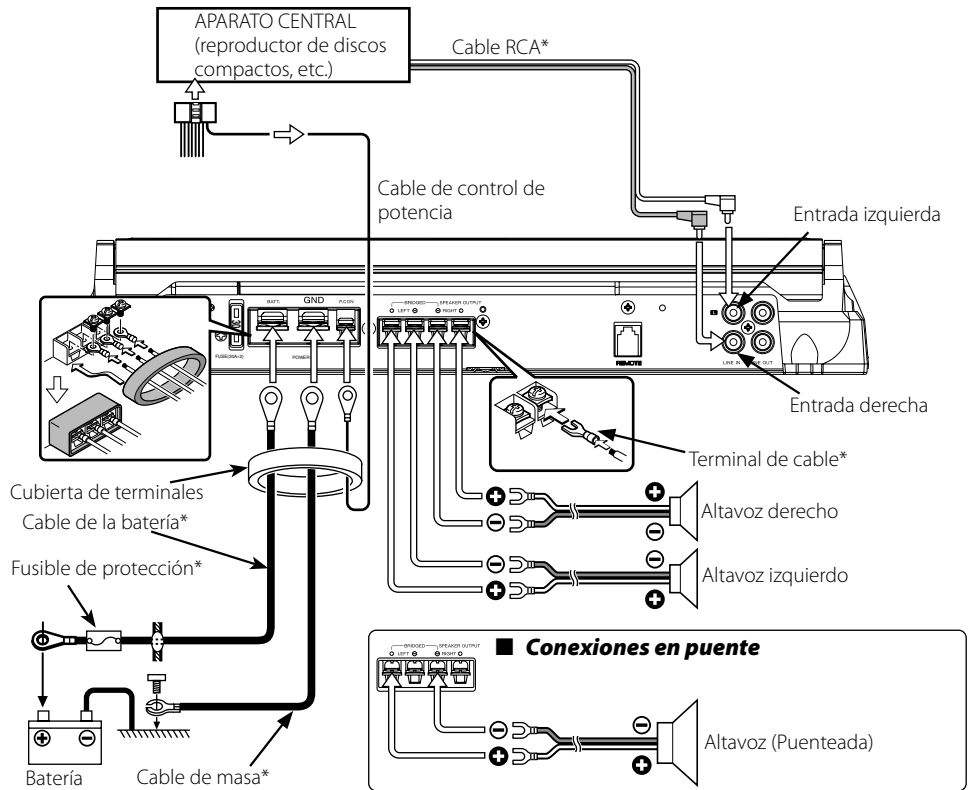
⚠ PRECAUCIÓN

- Si el sonido no sale normalmente, desconecte inmediatamente la alimentación y compruebe las conexiones.
- No se olvide de desconectar la alimentación antes de cambiar el ajuste de cualquier conmutador.
- Si el fusible se quema, compruebe que no haya un cortocircuito en los cables, luego cambie el fusible por uno que tenga el mismo amperaje.
- Verifique que ninguno de los cables o conectores que están sin conectar se encuentren tocando la carrocería del automóvil. No retire las tapas de los cables o conectores que están sin conectar para evitar que se produzcan cortocircuitos.
- Conecte los cables del altavoz a los conectores adecuados del altavoz separadamente. La puesta en contacto de terminales de altavoces distintos, o la conexión como toma de tierra de los terminales del altavoz al coche del automóvil, pueden causar daños a la unidad.
- Después de la instalación, compruebe que las lámparas del freno, luces de destello y limpiaparabrisas funcionen correctamente.

NOTA

- No conecte simultáneamente cables ni conductores a las tomas de entrada de cables RCA o a los terminales de entrada de altavoces porque podría producirse una avería.

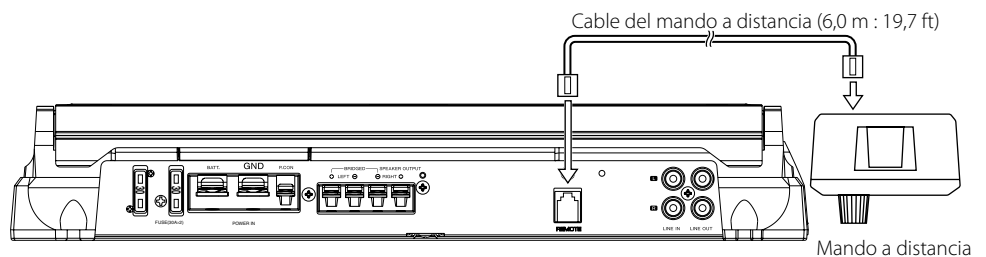
* pieza de venta en el comercio especializado

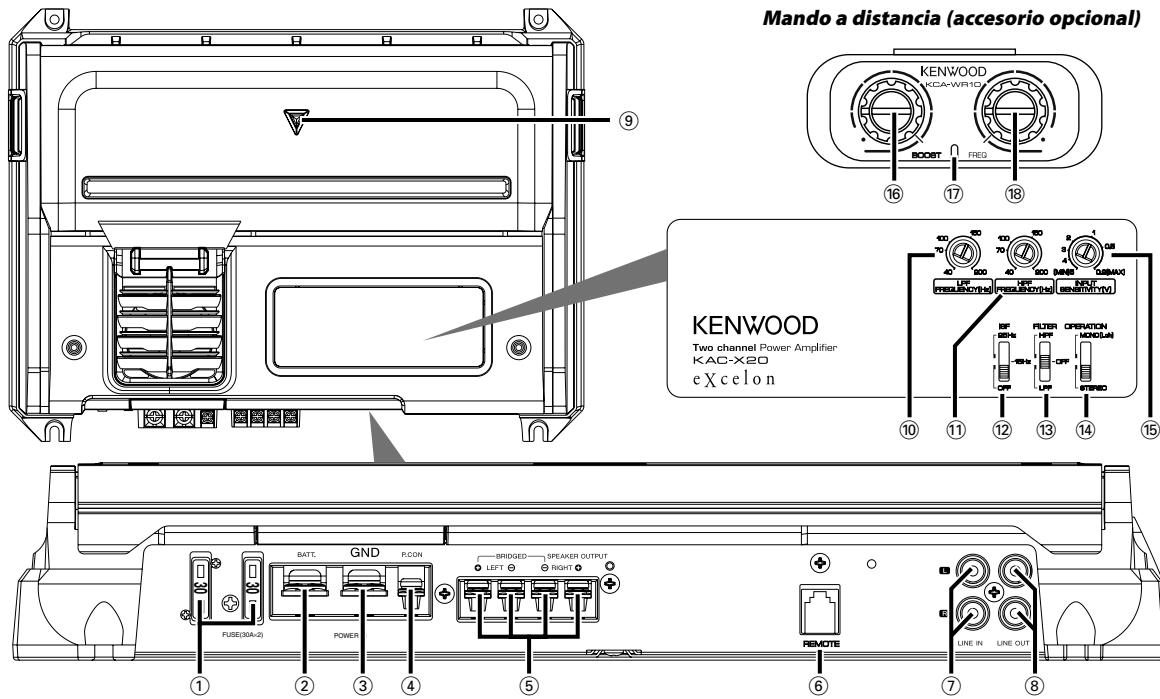


■ Conexión del cable del mando a distancia (accesorio opcional)

⚠ PRECAUCIÓN

- Antes de conectar los cables del mando a distancia, gire siempre el mando del nivel de refuerzo de graves totalmente hacia la izquierda.





Mando a distancia (accesorio opcional)

NOTA

El panel de control se encuentra bajo la cubierta exterior. Extraiga la cubierta para acceder a sus controles y realizar el ajuste. (Véase la página 15)

- ① **FUSIBLE (30 A x 2)**
- ② **Terminal BATT (alimentación)**
- ③ **Terminal GND (tierra)**
- ④ **Terminal del control de corriente (P.CON)**

Controla la CONEXIÓN / DESCONEXIÓN de la unidad.

NOTA

Controla la potencia de la unidad. Asegúrese de conectarlo con todos los sistemas.

- ⑤ **Terminales SPEAKER OUTPUT**

• **Conexiones estéreo:**

Cuando desee usar la unidad como un amplificador estéreo, usted deberá utilizar conexiones estéreo.

Los altavoces a conectar deberán tener una impedancia de 2 ohmios o mayor. Cuando vaya a conectar múltiples altavoces, asegúrese de que la impedancia combinada sea de 2 ohmios o mayor para cada canal.

• **Conexiones en puente:**

Cuando desee usar la unidad como un amplificador monoauricular de alta potencia, usted deberá utilizar conexiones en puente. (Haga las conexiones a los terminales de salida de altavoces (SPEAKER OUTPUT) de los canales izquierdo (LEFT) ⊕ y derecho (RIGHT) ⊖.) Los altavoces a conectar deberán tener una impedancia de 4 ohmios o mayor. Cuando vaya a conectar múltiples altavoces, asegúrese de que la impedancia combinada sea de 4 ohmios o mayor.

⚠ PRECAUCIÓN

La entrada nominal de los altavoces no deberá ser inferior a la salida máxima del amplificador. De lo contrario podría producirse una falla en el funcionamiento.

- ⑥ **Terminal REMOTE**

Conecte el cable del mando a distancia.

NOTA

Utilice el cable del mando a distancia del accesorio.

- ⑦ **Terminal LINE IN (entrada de línea)**
- ⑧ **Tomas de salida de línea (LINE OUT)**
La señal de entrada del terminal de entrada de línea es la salida.
- ⑨ **Indicador POWER**
Cuando la alimentación se activa, el indicador de POWER se ilumina. Si el indicador de POWER no se ilumina al activar la alimentación, la función de protección puede activarse. Comprobar si hay un problema. (Véase la página 14)

- ⑩ **Control LPF FREQUENCY**

Ajusta la frecuencia de corte cuando el conmutador "FILTER" está en "LPF".

- ⑪ **Control HPF FREQUENCY**

Ajusta la frecuencia de corte cuando el conmutador "FILTER" está en "HPF".

- ⑫ **Interruptor ISF (filtro infrasonico)**

Las frecuencias ultrabajas que no pueden ser reproducidas ni siquiera por un altavoz de subgraves no se convierten en sonido, sino en oscilaciones innecesarias que afectan al sonido y causan distorsión, etc. Al poner este conmutador en "15Hz" o "25Hz" se cortan las frecuencias por debajo de sus frecuencias respectivas. Esto mejorará la reproducción de los altavoces al eliminar las oscilaciones innecesarias que no se convierten en sonido.

- ⑬ **Conmutador FILTER**

Este conmutador permite aplicar la filtración de paso alto o paso bajo a las salidas de los altavoces.

• **Posición HPF (filtro de paso alto):**

El filtro da salida a la banda de frecuencias más altas que la frecuencia ajustada con el control "HPF FREQUENCY".

• **Posición OFF:**

Todo el ancho de banda sale sin filtración.

• **Posición LPF (filtro de paso bajo):**

El filtro da salida a la banda de frecuencias más bajas que la frecuencia ajustada con el control "LPF FREQUENCY".

La salida del altavoz se cambia automáticamente a monoaural (I+D).

- ⑭ **Conmutador de funcionamiento (OPERATION)**

Este conmutador permite seleccionar el método de amplificación de las señales de entrada.

• **Posición STEREO:**

Es posible utilizar el amplificador como un amplificador estéreo.

• **Posición MONO(Lch):**

Amplifica la entrada de señal del lado izquierdo solamente. Póngalo en esta posición y haga las conexiones en puente para utilizarlo como un amplificador mono de alta potencia. (No sale la señal derecha de entrada.)

- ⑮ **Control INPUT SENSITIVITY (sensibilidad de entrada)**

Ajustar este control de acuerdo con el nivel de presalida de la unidad central conectada a este amplificador.

NOTA

Referir a <Especificaciones> del manual de instrucciones de la unidad central con respecto al nivel de presalida.

- ⑯ **Control BOOST LEVEL (nivel del amplificador de bajas frecuencias)**

Ajusta el nivel al cual el margen de bajas frecuencias se debe reforzar.

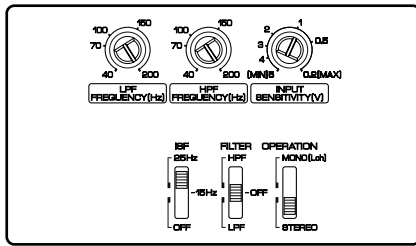
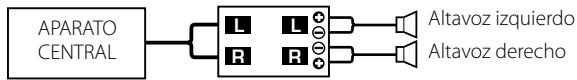
- ⑰ **Indicador POWER**

- ⑱ **Control FREQUENCY (frecuencia del amplificador de bajas frecuencias)**

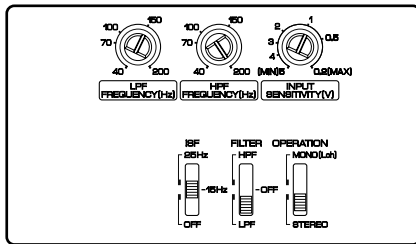
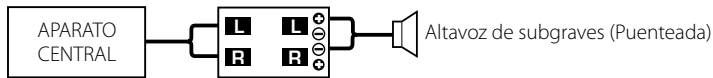
Ajusta la frecuencia central al rededor de la cual se debe reforzar el margen de bajas frecuencias.

Ejemplos del sistema

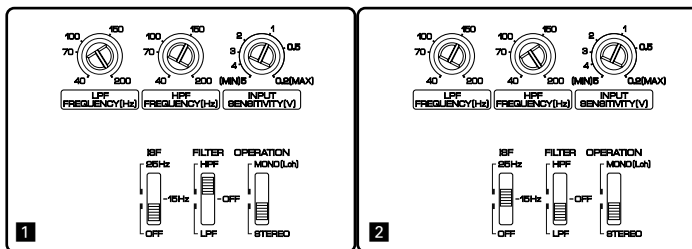
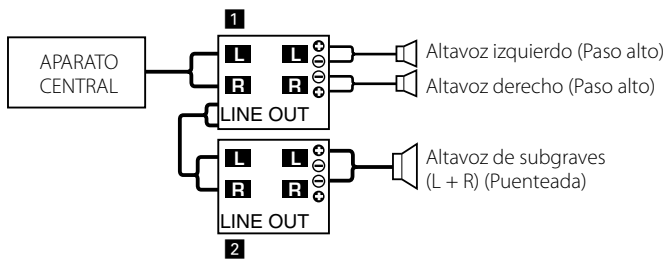
■ Sistema de 2 canales



■ Sistema de subwoofer



■ Sistema de 2 canales + Altavoz de subgraves



Guía Sobre Localización De Averías

Lo que podría parecer una falla de funcionamiento de su unidad podría ser simplemente el resultado de un pequeño error de operación o de un defecto de conexión. Antes de acudir al servicio, verifique primero el siguiente cuadro sobre los problemas que se podrían presentar.

PROBLEMA	CAUSA POSIBLE	SOLUCION
No hay sonido. (No hay sonido de un lado.) (Fusible fundido)	<ul style="list-style-type: none"> Los cables de entrada (o salida) están desconectados. El circuito de protección puede estar activado. El volumen está demasiado alto. El cable del altavoz está cortocircuitado. 	<ul style="list-style-type: none"> Conecte los cables de entrada (o salida). Compruebe las conexiones consultando <Función de protección>. Reemplace el fusible y utilice volumen bajo. Después de revisar el cable del altavoz y arreglar la causa del cortocircuito, reemplace el fusible.
El nivel de salida está muy bajo (o muy alto)	<ul style="list-style-type: none"> El control de ajuste de sensibilidad de entrada no está en la posición correcta. 	<ul style="list-style-type: none"> Ajuste bien el control consultando en <Controles>.
La calidad del sonido es mala. (El sonido está distorsionado.)	<ul style="list-style-type: none"> Los cables de los altavoces están conectados con las polaridades (+) / (-) invertidas. Un cable de altavoz está pellizcado por un tornillo de la carrocería del automóvil. Los conmutadores pueden estar mal ajustados. 	<ul style="list-style-type: none"> Conéctelos correctamente asegurándose bien de cuáles son los terminales (+) y (-). Vuelva a conectar los cables de los altavoces de forma que no queden pellizcados. Ponga bien los conmutadores consultando <Ejemplos del sistema>.
El mando a distancia no funciona.	<ul style="list-style-type: none"> El cable del mando a distancia está desconectado. 	<ul style="list-style-type: none"> Conecte correctamente y en forma segura el cable del mando a distancia.

Especificaciones

Las especificaciones se encuentran sujetas a cambios sin previo aviso.

CEA-2006

Vatios RMS por canal @ 4 ohmios, 1 % THD+N.....180 W x 2
Relación señal a ruido (Referencia: 1 vatio en 4 ohmios)..... 80 dBA



Sección de audio

Máxima potencia de salida.....1000 W
Salida de potencia nominal (+B = 12,0 V)
Normal (4 Ω) (20 Hz – 20 kHz, 0,05 % de distorsión armónica total).....120 W x 2
(2 Ω) (1kHz, 0,5 % de distorsión armónica total).....160 W x 2
Punteada (4 Ω) (1kHz, 0,5 % de distorsión armónica total).....320 W x 1
Salida de potencia nominal (+B = 14,4 V)
Normal (4 Ω) (20 Hz – 20 kHz, 0,05 % de distorsión armónica total).....180 W x 2
(2 Ω) (1kHz, 0,5 % de distorsión armónica total).....260 W x 2
Punteada (4 Ω) (1kHz, 0,5 % de distorsión armónica total).....520 W x 1
Sensibilidad (salida nominal) (MAX.)..... 0,2 V
(MIN.)..... 5,0 V
Impedancia de entrada.....10 kΩ
Respuesta de frecuencia (+0, -3 dB).....5 Hz – 70 kHz
Relación señal a ruido.....105 dB
Frecuencia del filtro pasa bajos (-24 dB/octava).....40 – 200 Hz (variable)
Frecuencia del filtro pasa altos (-12 dB/octava).....40 – 200 Hz (variable)
Frecuencia del filtro infrasonico (-24 dB/octava).....15 / 25 Hz
Circuito Enfatizador de Bajos.....0 – +18 dB (variable)
Frecuencia de bajos.....40 – 100 Hz (variable)

General

Tensión de funcionamiento..... 14,4 V (margen de 11 – 16 V permitido)
Consumo.....47 A
Tamaño de instalación (Anch x Alt x Prof).....380 x 65 x 286 mm
14-15/16 x 2-9/16 x 11-1/4 pulgada
Peso4,6 kg (10,1 lbs)

KENWOOD

Free Manuals Download Website

<http://myh66.com>

<http://usermanuals.us>

<http://www.somanuals.com>

<http://www.4manuals.cc>

<http://www.manual-lib.com>

<http://www.404manual.com>

<http://www.luxmanual.com>

<http://aubethermostatmanual.com>

Golf course search by state

<http://golfingnear.com>

Email search by domain

<http://emailbydomain.com>

Auto manuals search

<http://auto.somanuals.com>

TV manuals search

<http://tv.somanuals.com>