

# KENWOOD

**KMD-PS971R**

MD-RECEIVER

## **INSTRUCTION MANUAL**

KENWOOD CORPORATION



B64-1619-00 (EN)

## Contents

### Before use

Safety precautions .....	3
--------------------------	---

### General features

Power .....	6
Switching Modes .....	6
Volume .....	7
Attenuator .....	7
Loudness .....	7
Audio Control Setting .....	8
Mobile Preset .....	10
Non-Fading Output .....	10
TEL Mute .....	10
Switching Display .....	12
Faceplate Angle Adjustment .....	12
Removing the Faceplate .....	14
Forced Closing .....	15

### Tuner features

Tuning .....	16
Switching Display for Tuner .....	16
Station Preset Memory .....	18
Kenwood intelligent Twin IF (K2I) .....	18

### RDS features

RDS (Radio Data System) .....	19
Enhanced Other Network .....	19
Alarm .....	19
Traffic Information Function .....	19
Presetting Volume for Traffic Information/News .....	20
Programme Type (PTY) Function .....	20
Radio Text Scroll .....	21

### MD/External disc control features

Playing MDs .....	22
Playing Other Disc mode .....	23
Fast Forwarding and Reversing Disc Play .....	23
Track Search .....	24
Disc Search .....	24
Switching Display for Discs .....	24
Track / Disc Repeat .....	26
Track Scan .....	26
Disc Scan .....	26
Random Play .....	26
Magazine Random Play .....	27
Text / Title Scroll .....	27
Presetting Disc Names(DNPS) .....	28

### Menu settings

Menu System .....	30
Touch Sensor Tone .....	30
Manual Time Adjustment .....	30
Calendar Adjustment .....	31
Calendar Mode .....	31
Memo Mode .....	32
Automatic Time Adjustment .....	32
Mask Key .....	33
Selectable Illumination .....	33
Brightness level adjustment .....	34
Dimmer .....	34
Switching Graphic Display .....	34
Black Mask .....	34
Time setting for removing the faceplate .....	34
Dual Zone System .....	34
dB (Sound Coordinate system) .....	35
External Amp Control .....	35
Manual Open Button Setting .....	35
News Bulletin Function with PTY News Timeout Setting .....	36
Local Seek Function .....	36
Selecting Tuning Mode .....	36
Auto Memory Entry .....	36
AF (Alternative Frequency) Function .....	37
Restricting RDS Region (Region Restrict Function) .....	37
Auto TP Seek Function .....	37
Monaural Reception .....	37
Text Scroll .....	38

### Basic operations of remote control.....39

### Installation

Accessories .....	41
Installation Procedure .....	41
Connecting Cables to Terminals .....	42
Connecting Cables to Terminals .....	43
Installation .....	43
Removing the Unit .....	44
Locking the faceplate to the unit .....	45
Attaching Steering Remote Control .....	45

### Troubleshooting Guide .....46

### Specifications .....49

## Safety precautions

### **▲WARNING**

**To prevent injury and/or fire, take the following precautions:**

- Insert the unit all the way until it is fully locked in place. Otherwise it may fly out of place during collisions and other jolts.
- When extending the ignition, battery or ground cables, make sure to use automotive-grade cables or other cables with an area of 0.75mm<sup>2</sup> (AWG18) or more to prevent cable deterioration and damage to the cable coating.
- To prevent short circuits, never put or leave any metallic objects (e.g., coins or metal tools) inside the unit.
- If the unit starts to emit smoke or strange smells, turn off the power immediately and consult your Kenwood dealer.
- Make sure not to get your fingers caught between the faceplate and the unit.
- Be careful not to drop the unit or subject it to strong shock.  
The unit may break or crack because it contains glass parts.

### **▲CAUTION**

**To prevent damage to the machine, take the following precautions:**

- Make sure to ground the unit to a negative 12V DC power supply.
- Do not open the top or bottom covers of the unit.
- Do not install the unit in a spot exposed to direct sunlight or excessive heat or humidity. Also avoid places with too much dust or the possibility of water splashing.
- Do not subject the faceplate to excessive shock, as it is a piece of precision equipment.
- When replacing a fuse, only use a new one with the prescribed rating. Using a fuse with the wrong rating may cause your unit to malfunction.
- To prevent short circuits when replacing a fuse, first disconnect the wiring harness.
- Do not place any object between the faceplate and the unit.
- During installation, do not use any screws except for the ones provided. The use of improper screws might result in damage to the main unit.
- Do not apply excessive force to the moving faceplate. Doing so will cause damage or malfunction.
- Do not apply excessive force to the open faceplate or place objects on it. Doing so will cause damage or breakdown.

### **IMPORTANT INFORMATION**

*You cannot connect the unit directly to the following CD automatic changers. For users who want to use older changers with the unit, follow the directions below according to the type of changer you own:*

#### **• KDC-C200 / KDC-C300 / KDC-C400**

Use the extension cable and the control box attached to the CD changer, and the optional CA-DS100 converter cable.

#### **• KDC-C301 / KDC-C600 / KDC-C800 / KDC-C601 / KDC-C401**

Use the extension cable attached to the CD changer, and the optional CA-DS100 converter cable.

#### **• KDC-C100 / KDC-C302 / C205 / C705 / non-Kenwood CD changers**

Cannot be used with this model.

### **▲CAUTION**

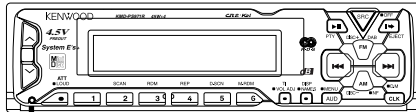
***You can damage both your unit and the CD changer if you connect them incorrectly.***

US and foreign patents licensed from Dolby Laboratories Licensing Corporation.

## Safety precautions

### NOTE

- If you experience problems during installation, consult your Kenwood dealer.
- If the unit fails to operate properly, press the RESET button. When the faceplate controls are not visible, press the left part at the upper side of the faceplate (as illustrated on p.15) for as many times as you have preset to make the faceplate controls appear. The unit returns to factory settings when the RESET button is pressed. After you press the reset button, the Mask Key will be needed to restart the unit. If the unit still fails to operate properly after the RESET button has been pressed, contact your local KENWOOD dealer for assistance.
- Press the reset button if the CD auto changer is first controlled and operates incorrectly. The original operating condition will return.



Reset button

- The illustrations of the display and the panel appearing in this manual are examples used to explain more clearly how the controls are used. Therefore, what appears on the display in the illustrations may differ from what appears on the display on the actual equipment, and some of the illustrations on the display may represent something impossible in actual operation.
- The functions that can be used and the information that can be displayed will differ depending on the external disc players being connected.

### Cleaning the Faceplate Terminals

If the terminals on the unit or faceplate get dirty, wipe them with a dry, soft cloth.

### Cleaning the Unit

If the front panel gets dirty, turn off the power and wipe the panel with a dry silicon cloth or soft cloth.

### CAUTION

Do not wipe the panel with a stiff cloth or a cloth dampened by volatile solvents such as paint thinner and alcohol. They can scratch the surface of the panel and/or cause the indicator letters to peel off.

### Mask key

If you have transmitted the Mask Key's signal once to the unit in advance, you will have to transmit it once again if the unit has been removed from the battery. This function helps prevent theft.

When using the unit for the first time:

In order to deactivate the demonstration mode, be sure to press the transmit button to transmit the Mask Key's signal. If this procedure is not carried out, the control panel of the unit will re-open in two seconds even with your vehicle's ignition turned off.

### CAUTION

Do not lose the "Mask Key".

If power is disconnected from the unit, correct operation can only be restored by the "Mask Key's" signal. The "Mask Key" will also be required for service repair.

### NOTE

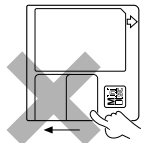
If you send products in for repair that include a mask key, make sure to present the unit together with the mask key.

### Lens Fogging

In cold climates, there may be a period after you turn on your vehicle's heater when the lens that guides the laser beam used in your MD player fogs up. If this happens, you cannot play mini discs. Take out discs and the fogging will disappear. If it does not return to normal after several hours, contact your Kenwood dealer.

### Handling Mini discs

- The MD shutter is designed so that it cannot be opened. If forced open, the cartridge will be damaged and use of the MD will no longer be possible. If the shutter has been opened due to some cause, be careful not to touch the recording portion with a finger. Doing so will cause the sound to skip.



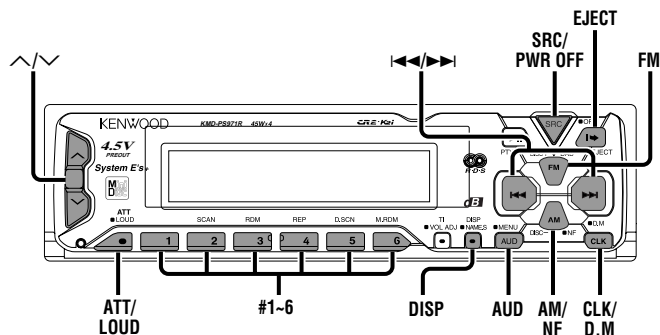
- Do not use an MD that has a peeling label. Use of an MD that has a loose or peeling label may cause problems, such as the label coming off inside the player and the resultant inability to eject the MD.
- Wipe away dirt or dust from the cartridge surface with a dry cloth before use. Using an oil-soiled cartridge in particular may result in the disc not loading or being unable to eject it. (At time of cleaning, be careful not to open the shutter.)
- Do not leave the MD in the unit for a prolonged period. The ejected MD should be placed in an MD case for storage.
- Do not leave the MD in a place exposed to direct sunlight (such as on a instrument panel) or in other places that reach high temperatures. The MD cartridge will become misshapen and will no longer be usable.
- MDs designed for use with data cannot be used. Please use MDs designed for music.
- Do not use lens cleaners. Doing so will lead to breakdown.

### The marking of products using lasers (Except for some areas)

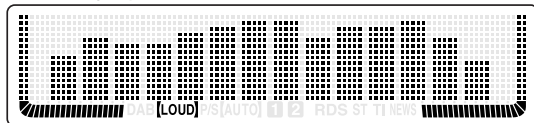
**CLASS 1  
LASER PRODUCT**

The label is attached to the chassis/case and says that the component uses laser beams that have been classified as Class 1. It means that the unit is utilizing laser beams that are of a weaker class. There is no danger of hazardous radiation outside the unit.

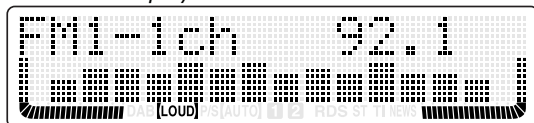
## General features



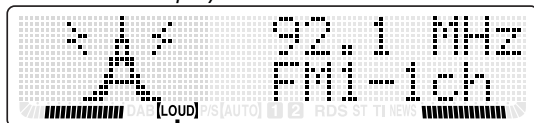
### Full-screen display mode



### Vertical division display mode



### Horizontal division display mode



LOUD indicator

## Power

You can help prevent theft of the unit by reversing the faceplate so that the control panel cannot be seen, hiding the unit, and shutting off the audio.

### Power ON/OFF:

When you turn your vehicle's ignition on, the unit's power will also turn on, with the faceplate reversing to show the control panel.

When you turn your vehicle's ignition off, the faceplate will reverse to hide the control panel after a period of time which you have set in the "Time setting for removing the faceplate" in the menu. The unit's power will turn off.

Alternatively, you can remove the faceplate during that period. For details, refer to the "Removing the faceplate" (page 14).

### NOTE

- After installation of your Mask unit, be sure to transmit the "Mask Key's" signal to deactivate the demonstration mode. If this procedure is not carried out, the control panel of the unit will re-open in two seconds even with your vehicle's ignition turned off.
- When the control panel of the faceplate is hidden, the unit will be locked by the sleeve, making it more difficult to remove the unit.
- When the moving faceplate is hit by an object, it will stop and return to its original state. Remove the object and repeat the action.

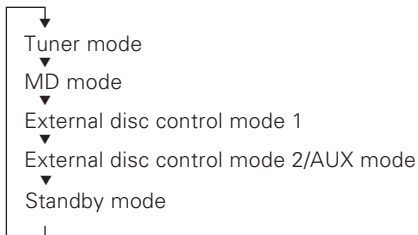
### CAUTION Using the Unit in Vehicles with Covered Consoles

- Make sure the console is uncovered whilst the faceplate is reversed.
- Do not exert any excess force on the movable parts of the unit, including the faceplate, as it can cause failure in the unit's mechanism.

## Switching Modes

### Switching Modes:

Each time you press the SRC button, the mode switches as follows:



#### **Selecting the standby mode:**

Press the SRC button repeatedly to select to "ALL OFF" . When "ALL OFF" is displayed, the standby mode is turned on. The standby mode turns all functions off although leaving the unit's power on. Use this mode when you want to have the display illuminated but do not want to listen to anything.

#### **NOTE**

- The mode switches to the next mode from any mode which cannot be used.
- The external disc control mode will differ depending on the unit that is connected.
- The AUX mode is available only when the changer / AUX switching adapter (KCA-S210A or CA-C1AX) or CD changer (KDC-CPS85, KDC-CX85, KDC-CPS82 or KDC-CX82) is connected to this unit. During the AUX mode, "AUX" / AUX-name will show in the display. When the CA-C1AX is being used, the AUX Mode will replace the External Disc Control Mode.

#### **NOTE** Presetting AUX-name

In the AUX mode, press the NAME.S button for two seconds or more. "NAME SET" is display and AUX-name mode is entered. Input the characters, referring to the section on "Presetting Disc Names (DNPS)" (page 28).

## **Volume**

### **Increasing Volume:**

Press the  $\wedge$  button to turn up the volume.

### **Decreasing Volume:**

Press the  $\vee$  button to turn down the volume.

## **Attenuator**

This function allows you to turn down the volume quickly.

### **Turning Attenuator On/Off:**

Press the ATT button to switch the attenuator on and off.

When the attenuator is off, the volume returns to the original level.

#### **NOTE**

Turning the volume up, or turning it all the way down deactivates the attenuator function.

## **Loudness**

This function amplifies low and high tones when the volume is turned down.

The LOUD indicator lights up, when the loudness function is on.

### **Turning Loudness On/Off:**

Hold down the LOUD button for one second or more to switch the loudness on and off.

#### **NOTE**

The loudness function does not affect non-fading pre-out.

## General features

### Audio Control Setting

Adjust various parameters of sound quality.

- 1 Press the AUD button to enter the control mode.
- 2 **Selecting mode**  
Press either the FM or AM button.  
Each time the button is pressed, the adjustment mode will change.  
Please refer to the following for the contents of the adjustment modes.

**NOTE** Source tone memory

Each source (CD, MD, FM, AM, and disc changer) has its own memory in which to store the bass, treble and N-F level settings. The settings made for a particular source are then recalled automatically whenever you use that source (e.g., FM mode uses the tone settings made for FM, AM for AM, etc.).

- 3 **Adjust each mode**  
Press the **◀◀/▶▶** button.  
Look at the table to adjust the mode being displayed.
- 4 Press the AUD button to end the control mode.

### "dB" : Recalling the kenwood preset sound setting

Press the preset buttons (#1-6).

Settings: #1;Flat, #2;Rock, #3;Pops/Top40, #4;Jazz, #5;Easy, #6;Scan of #1-5

**NOTE**

- This mode is available only when the Sound coordinate system is on. (page 35)
- You can call the following settings with this function; bass centre frequency, bass level, bass quality factor, bass extension, treble centre frequency, and treble level setting. Their setting values are different depending on the setting of the mobile preset plan mode.

### "Bass Frq" : Adjust the centre frequency of the bass.

Setting values: 60 / 70 / 80 / 100 (Only when the bass quality factor is set to 1.00, 1.25 or 1.50) / 150 (Only when the bass quality factor is set to 2.00) Hz

**NOTE**

This mode is available only when the Sound coordinate system is on. (page 35)

### "Bass" : Adjust the bass level.

Setting values: - 8 - + 8

### "Bass Q" : Adjust the Bass quality factor.

Setting values: 1.00 / 1.25 / 1.50 / 2.00

**NOTE**

This mode is available only when the Sound coordinate system is on. (page 35)

### "Bass EXT" : Switch the Bass Extend mode on/off.

Setting values: ON / OFF

(When the bass extend mode is set to on, low frequency response is extended by 20%.)

**NOTE**

This mode is available only when the Sound coordinate system is on. (page 35)



**"Tre Frq" : Adjust the centre frequency of the treble.**

Setting values: 10.0 / 12.5 / 15.0 / 17.5 kHz

**NOTE**

This mode is available only when the Sound coordinate system is on. (page 35).

**"Tre" : Adjust the treble level.**

Setting values: - 8 – + 8

**"Balance" : Adjust the balance level.**

Setting values: Left 15 – Right 15

**"Fader" : Adjust the fader level.**

Setting values: Front 15 – Rear 15

**"NFpre Level" : Adjust the Non-fading output level.**

Setting values: - 15 – + 15

**NOTE**

Not available during the Dual zone system is on.

**"HPF Front" : Adjust the frequency of the High-pass filter for front output.**

Setting values: Through / 40Hz / 60Hz / 80Hz / 100Hz / 120Hz / 150Hz / 180Hz / 220Hz

**NOTE**

You can separately set the high-pass filter for front and rear output, including preouts. The high-pass filter does not affect the non-fading preout. The factory default settings for front output and rear output are "Through" .

**"HPF Rear" : Adjust the frequency of the High-pass filter for rear output.**

Setting values: Through / 40Hz / 60Hz / 80Hz / 100Hz / 120Hz / 150Hz / 180Hz / 220Hz

**NOTE**

You can separately set the high-pass filter for front and rear output, including preouts. The high-pass filter does not affect the non-fading preout. The factory default settings for front output and rear output are "Through" .

**"LPF NFpre" : Adjust the frequency of the Low-pass filter for Non-Fading output.**

Setting values: 50 Hz / 80 Hz / 120 Hz / Through

**NOTE**

Not available during the Dual zone system is on.

## General features

### "NFpre Phase" : Adjust the phase for Non-Fading output.

Setting values: Normal (0°) / Reverse (180°)

#### NOTE

Not available during the Dual zone system is on.

### "VOL OFFSET" : Set the sound level of the each source selected by adjusting the level difference between the basic sound level and the required level.

Setting values: - 8 - 0

### Storing your sound settings:

Hold down a preset button (#1-6) for two seconds or more.

#### NOTE

- This setting can be made only when the Sound coordinate system is on. (page 35).
- The settings you can preset are, bass centre frequency, bass level, bass quality factor, bass extension, treble centre frequency, and treble level.

### Recalling your sound settings:

Press a preset button (#1-6) except during the bass center frequency, bass level, bass quality factor, bass extension, treble center frequency, and treble level adjust mode.

#### NOTE

This mode is available only when the Sound coordinate system is on. (page 35).

## Mobile Preset

This function allows you to adjust the setting that is recalled with the sound coordinate system, according to types of speakers.

- 1 Press the SRC button repeatedly to select the standby mode. "ALL OFF" is displayed when the standby mode is selected.
- 2 Press the AUD button to enter the mobile preset plan mode.
- 3 Press either the **◀◀** or **▶▶** button to select the type of speaker. The setting switches as follows.  
Off / For the OEM speaker / For 6/6x9 in. speaker / For 5/4 in. speaker
- 4 Press the AUD button to end the mobile preset plan mode.

#### NOTE

- This mode is available only when the Sound coordinate system is on. (page 35)
- When you change the setting of type of speaker, the bass and treble tone settings are returned to original levels.

## Non-Fading Output

### Turning non-fading output On/Off :

Hold down the NF button for one second or more to set the function ON or OFF.

"NF ON" is displayed when the non-fading output is set ON.

## TEL Mute

Shut down the audio system temporarily whenever an incoming call is received.

#### NOTE

The function will not work if a cable is not connected to the car phone.

---

***When the telephone rings:***

When a call is received, "CALL" is displayed and all the unit functions are temporarily interrupted.

***Restoring Original Unit Source During Phone Call:***

Press the SRC button.

"CALL" disappears from the display, and the volume of the original source is restored gradually.

***Turning TEL Mute Function Off After Phone Call:***

Hang the phone up.

"CALL" disappears from the display.

The original source (i.e., the one used before the phone call) is returned to automatically, and the volume restored gradually.

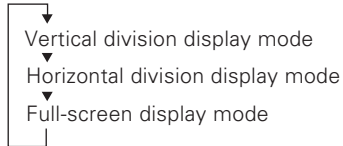
## General features

### Switching Display

You can change the display in each mode.

#### Selecting the Display Mode:

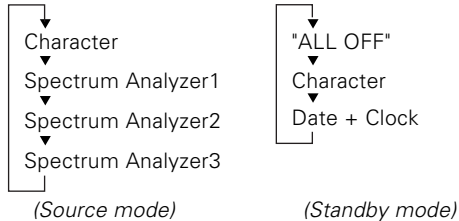
Each time you hold down the D.M button for one second or more, the display mode switches as follows:



#### Changing the Display:

- During full-screen display mode

Each time you press the CLK button, the display switches as follows:

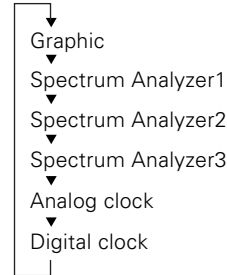


#### NOTE

- This function cannot be operated whilst the Black Mask function is on.
- Character items are not displayed when the graphic display function is turned off.
- During horizontal division mode  
The left side display is switched each time the CLK button is pressed.  
The right side display is switched each time the DISP button is pressed.

#### Example: Tuner mode

##### Left side display CLK button



##### Right side display DISP button

Programme Service name/  
Station frequency  
-----  
Band display  
+ Preset station number

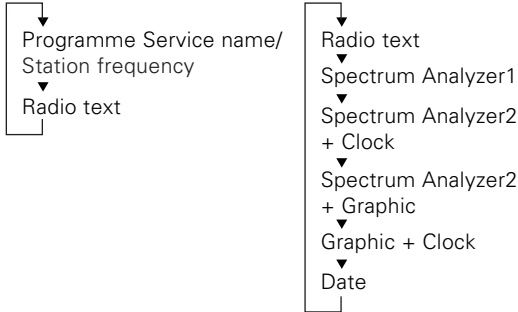
#### NOTE

- This function cannot be operated whilst the Black Mask function is on.
- The right side display items vary depending on the source that is playing. For details refer to the "Switching Display" page for source modes.
- During vertical division mode display  
The upper part display is switched each time the DISP button is pressed.  
The lower part display is switched each time the CLK button is pressed.

#### Example: Tuner mode

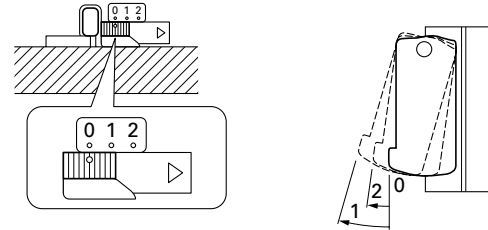
##### Upper part display DISP button

##### Lower part display CLK button



**NOTE**

- The display items vary depending on the source that is playing. For details refer to the "Switching Display" page for source modes.
- The same items cannot be selected for both the upper part and the lower part.
- When the Black Mask function is turned on, the lower part display shows the clock only.




**NOTE**

- Firmly slide the switch until it clicks.
- Do not apply excessive force to the faceplate under settings 1 or 2.
- Set the angle adjustment switch to "0" before removing the faceplate.

**Faceplate Angle Adjustment**

You can adjust the faceplate angle for easy viewing.

**Adjusting faceplate angle:**

Press the  (EJECT) button to make the faceplate slide open, and then adjust the faceplate angle using the angle adjustment switch.

Adjustment may be made from 0 to 2.

## General features

### Removing the Faceplate

The faceplate can be detached from the unit, helping to deter theft.

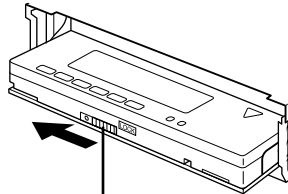
#### Removing the faceplate:

- 1 Choose the way from among the following and open the faceplate.  
Turn the ignition off, hold down the SRC button for one second or more, or press the left part at the upper side of the faceplate (as illustrated on p.15) for as many times as you have preset in the "Manual Open Button Setting" (OPEN SW #) in the menu when the control panel has been hidden.
- 2 Set the faceplate's angle adjustment switch to "0" to set the faceplate angle to the vertical.  
For details, refer to "Faceplate Angle Adjustment" (page 13).

#### NOTE

If the faceplate's angle adjustment switch is not set to "0" when mounting the faceplate on the faceplate bracket, it may be difficult to mount the faceplate or the faceplate may not be securely attached and could fall off.  
Set the angle adjustment switch to "0" before removing the faceplate.

- 3 Slide the faceplate lock switch to the left during the period which you have set in the "Time setting for removing the faceplate" in the menu.



Faceplate lock switch

- 4 Holding the centre part of the faceplate, pull it out.  
The faceplate bracket will automatically close.

#### CAUTION

- When removing the faceplate, pull it out only when it is fully open. The detachment of the faceplate whilst it is moving might result in damage to the unit.
- Do not apply excessive force to the faceplate bracket without attaching the faceplate. Doing so will cause the faceplate bracket to be deformed.
- Do not touch the connector on the faceplate bracket after removing the faceplate. Touching the connector may cause damage to the unit.
- Do not touch two metal parts on both sides of the faceplate bracket. Touching those parts may injure you.

#### NOTE

- Sliding the faceplate lock switch cause the unit's power to turn off. If you want to operate the unit again, remove the faceplate from the faceplate bracket completely and then reattach it.
- The faceplate is a precision piece of equipment and can be damaged by shocks or jolts. For that reason, keep the faceplate in its special storage case whilst detached.



- Do not expose the faceplate or its storage case to direct sunlight or excessive heat or humidity. Also avoid places with too much dust or the possibility of water splashing.

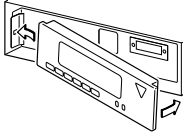
#### Reattaching the Faceplate:

- 1 Hold the faceplate so that the control panel faces the front toward you and set the left side of the faceplate in the faceplate bracket.

#### CAUTION

Do not set the right side of the faceplate in the faceplate bracket first, when reattaching the faceplate. Doing so may cause the connector on the faceplate bracket to malfunction.

- 2 Press the right side of the faceplate until it locks.

**NOTE**

If the faceplate bracket's angle was not set to the vertical when the faceplate was mounted, check that the faceplate is securely attached to the faceplate bracket by holding its right side and pulling it gently towards you.

**Forced Closing**

This function prevents tampering with the unit your car is being serviced etc.

**Hiding the unit with the ignition turned on (forced closing):**

Hold down the SRC button for one second or more.

The faceplate will slide open. When the period of time which you have set in the "Time setting for removing the faceplate" in the menu has passed, the faceplate automatically reverses to hide the control panel. However, you can remove the faceplate during that period. For details, refer to the "Removing the faceplate" (page 14).

**NOTE**

- When the closing faceplate is hit by an object, the unit will turn off without the faceplate closing all the way. Remove the object and press the SRC button to turn the unit back on, then turn it off again to make it close properly.
- Whilst the control panel is moving, pressing the buttons will not have any effect. Do not try to press the buttons on the control panel as the faceplate is moving, as excessive force may damage the unit.
- During the forced closing of the unit (i.e., having the unit left closed whilst ignition is turned on), the faceplate will not open no matter how often the ignition is turned on or off, unless "Manual Open button" at the rear of the faceplate is pressed in

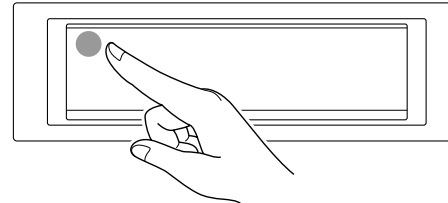
order to open it. You can prevent tampering of the unit when letting someone else drive your car by keeping it closed this way.

**To cancel the forced closing of unit and open control panel:**

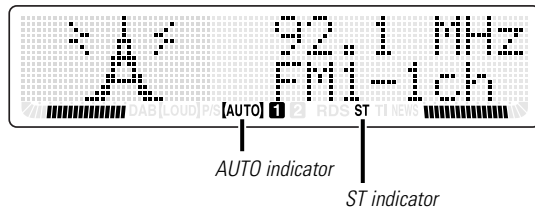
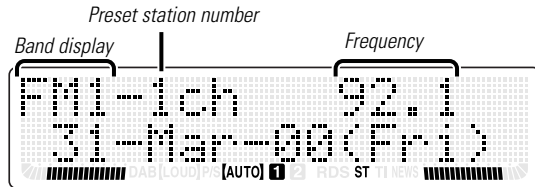
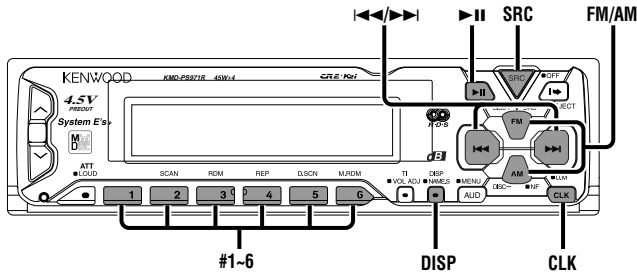
Press the left part at the upper side of the faceplate for as many times as you have preset in the "Manual Open Button Setting" (OPEN SW #) in the menu. The faceplate will open and show the control panel.

**NOTE**

When you set the Manual Open Button setting to 2 or 3, press the upper left part of the faceplate without pausing. If you do not press that part without pausing, the command cannot be verified correctly.



## Tuner features



## Tuning

- 1 Press the SRC button repeatedly until the tuner mode is obtained. "TUNER" is displayed only when the tuner mode is selected.
- 2 Press either the FM or AM button to select the band. Each time you press the FM button, the band switches between the FM1, FM2 and FM3. Press the AM button to select the MW and LW bands.
- 3
  - Auto Seek Tuning
    - Press the ►► button to seek increasing frequencies.
    - Press the ◀◀ button to seek decreasing frequencies.
  - Preset station seek tuning
    - Press the ►► button to move to the next preset station (i.e., the one with the next highest number), and the ◀◀ button to move to the last preset station (i.e., the one with the next lowest number).

### NOTE

If the frequencies stored at the preset numbers receive stations which were not originally memorized when traveling long distances, the preset number is not displayed. In such cases, pressing the ◀◀/►► button to use preset station seek will receive channel 1.

### • Manual Tuning

Press the ►► button to increase the frequency by one step. Press the ◀◀ button to decrease the frequency by one step.

### NOTE

- The ST indicator lights up when stereo broadcasts are being received.
- Please see the menu settings about selecting tuning mode. (page 36)

## Switching Display for Tuner

You can change the display used when listening to the radio.

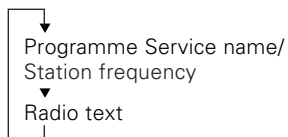
### Changing the Display:



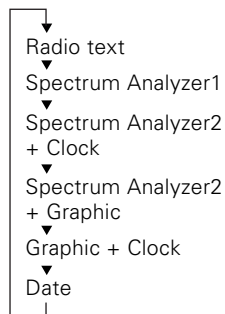
Pressing the DISP button or CLK button, the display switches as follows:

- During vertical division mode display

*Upper part display*  
**DISP button**



*Lower part display*  
**CLK button**

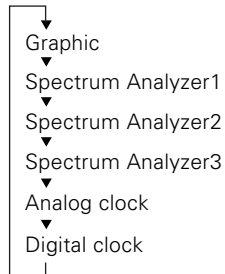


**NOTE**

- The same items cannot be selected for both the upper part and the lower part.
  - When the Black Mask function is turned on, the lower part display shows the clock only.
- During horizontal division mode

*Left side display*  
**CLK button**

*Right side display*  
**DISP button**



Programme Service name/  
Station frequency  
-----  
Band display  
+ Preset station number

**NOTE**

This function cannot be operated whilst the Black Mask function is on.

- During the full-screen display mode

The display is switched each time the CLK button is pressed.

**NOTE**

For information regarding the display items, refer to "Switching Display" (page 12).

**Displaying Frequencies:**

Hold down the DISP button for one second or more. The frequency for the RDS station will be displayed for five seconds instead of the station name.

**NOTE**

- Programme Service name / Radio text : only during RDS station reception.
- If the RDS station currently tuned to is transmitting no text whilst the Radio Text Display mode is turned on, "NO TEXT" will appear in the display. Whilst awaiting reception, "WAITING" will be displayed.

**WARNING**

To prevent accidents, drivers should not look at the display whilst on the road.

## Tuner features

### Station Preset Memory

Store the frequency of the station currently being listened to. You can then recall that station with a single touch of a button.

- 1 Select the band/ station that you want to have stored.
- 2 Hold down the button (#1-6) that you want to use for the station, for two seconds or more.  
The button number blinks once in the display to indicate that the data has been stored.

### Recalling a Preset Station:

Press the preset station button (#1-6) for the desired station. The number of the recalled station is displayed.

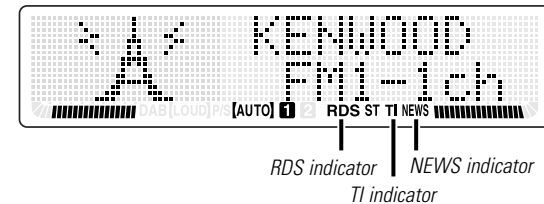
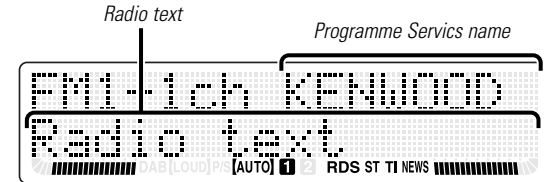
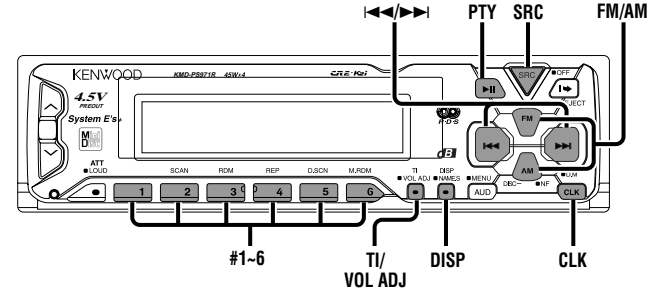
#### NOTE

You can store 6 stations in each of the FM1, FM2, FM3, and AM (MW and LW) bands.

### Kenwood intelligent Twin IF (K2I)

When the frequency of another station is too close to that of the station currently being listened to, interfering with proper reception, this function automatically narrows the range of received frequencies to prevent such interference.

## RDS features



## RDS (Radio Data System)

RDS is a digital information system that lets you receive signals besides those of regular radio programmes, such as network information being transmitted from radio stations. When listening to an RDS station (ie, a station with RDS capability), the programme service name of the station is displayed along with the frequency, advising you quickly which station is being received.

RDS (Radio Data System) stations also transmit frequency data for the same station. When you are making long trips, this function automatically switches to the particular frequency with the best reception for the particular network of stations that you want to listen to. The data is automatically stored, allowing you to switch quickly to another RDS stations, broadcasting the same programme, that has better reception. These include stations stored in the station preset memory that you often listen to.

## Enhanced Other Network

Stations that offer <Enhanced Other Network> also transmit information about other RDS stations that have traffic information. When you are tuned to a station that is not transmitting traffic information, but another RDS station starts transmitting a traffic bulletin, the tuner automatically switches to the other station for the duration of the bulletin.

## Alarm

When an emergency transmission (announcing disasters, etc.) is sent, all current functions are interrupted to allow the warning to be received.

## Traffic Information Function

You can listen to traffic information. If you are listening to tapes or discs, they will continue playing until a traffic bulletin is broadcast.

### Turning TI function On/Off:

Press the TI button to turn the function on and off.

When the function is on, the TI indicator is turned on.

When none is being received, the TI indicator will blink on and off. When a traffic information station is being received, the TI indicator will turn on.

When a traffic bulletin begins to be broadcast, "TRAFFIC INFO" will be displayed, and reception will begin at the preset volume.

If you are listening to a tape or disc when a traffic bulletin begins, they will automatically be turned off. When the bulletin ends or poor reception is experienced, the tape or disc will begin playing again.

### NOTE

Pressing the TI button whilst in the MW/LW band automatically switches reception to the FM band. However, the MW/LW band is not returned to when the TI button is pressed again.

### Switching to a Different Traffic Information Station:

Use the ◀◀ / ▶▶ buttons to make an auto seek of the TI stations in a certain band.

### NOTE

- When you are listening to a tape or disc, you cannot change to another TI station.
- When the auto TP seek function is turned on and reception starts to weaken, the tuner automatically seeks traffic information stations with better reception.
- If you are tuned to a station that is not a traffic information station itself but which provides <Enhanced Other Network> services, you can still have traffic information received.
- Holding the TI button down for one second or more when the TI function is on in the disc control mode results in a change to the frequency display of the traffic information station for five seconds.

## RDS features

### Presetting Volume for Traffic Information/News

Preset the volume level to be used for traffic information and news broadcasts.

- 1 Tune into the station for which you want to set the volume.
- 2 Adjust the volume to the desired level.
- 3 Hold down the VOL ADJ button for two seconds or more. The volume level blinks once in the display to indicate that the data has been stored. Future traffic information/news broadcasts are heard at the preset level.

#### NOTE

- The volume cannot be lowered by this function during tuner reception. The volume is only set when it is louder than the listening volume of the tuner.
- You can arrange only to listen to traffic information or news bulletins with at preset volume with the volume set at minimum.

### Programme Type (PTY) Function

Conduct auto seek tuning only on those stations with selected kinds of programmes.

- 1 Press the ►||| (PTY) button. "PTY" is displayed, and the Programme Type Selection (PTY) Mode entered. If you make no key input in 30 seconds, the mode will automatically turn off.

#### NOTE

You cannot use this function whilst the traffic bulletin is received.

#### NOTE Changing the Display Language to French, German, or Swedish

In the PTY mode, press the DISP button to display the name of the language currently used.

If you want to change the language, press the preset button for the desired language and then the DISP button. English is #1, French is #2, German is #3, and Swedish is #4.

### 2 Select the type of programme to be received

- Press either the FM or AM buttons repeatedly until the type of programme you want to listen to.

The selection includes:

	<i>Speech</i>	(All Speech)
	<i>Music</i>	(All Music)
1.	News	(News)
2.	Current Affairs	(Current Affairs)
3.	Information	(Information)
4.	Sports	(Sport)
5.	Education	(Education)
6.	Drama	(Drama)
7.	Culture	(Cultures)
8.	Science	(Science)
9.	Varied	(Varied Speech)
10.	Pop Music	(Pop Music)
11.	Rock Music	(Rock Music)
12.	Easy Listening Music	(Easy Listening)
13.	Light Classical	(Light Classics M)
14.	Serious Classical	(Serious Classics)
15.	Other Music	(Other Music)
16.	Weather	(Weather & Metr)
17.	Finance	(Finance)
18.	Children's programmes	(Children's Progs)
19.	Social Affairs	(Social Affairs)
20.	Religion	(Religion)
21.	Phone In	(Phone In)
22.	Travel	(Travel & Touring)
23.	Leisure	(Leisure & Hobby)
24.	Jazz Music	(Jazz Music)
25.	Country Music	(Country Music)
26.	National Music	(National Music)
27.	Oldies Music	(Oldies Music)
28.	Folk Music	(Folk Music)
29.	Documentary	(Documentary)
	( <i>Speech</i> .....1~9,16~23, 29, <i>Music</i> .....10~15, 24~28)	

- You can select the type of programme directly by pressing a preset button. The buttons are factory-set to the following type of programmes:

1. <i>Music</i>	2. <i>Speech</i>	3. News
4. Other Music	5. Serious Classical	6. Varied

**NOTE** Changing the Preset Button Settings for Programme Type  
After selecting the type of programme to be stored in a certain preset button, hold down that button for two seconds or more. The previously stored data for that button are erased and the new programme type is stored.

### 3 **Seeking the selected programme type**

Press the ◀◀ or ▶▶ button to make a seek of frequencies with your selected type of programme.

The display blinks and the seek starts.

"PTY" blinks in the display for about 30 seconds.

If you make no key input in 30 seconds, the PTY selection mode will turn off automatically.

#### **NOTE**

If no programme can be found, "NO PTY" is displayed.

If you want to select another type of programme, repeat steps 2 and 3 above.

### **Switching to Other Stations with the Same Type of Programme:**

When "PTY" is blinking in the display, perform auto seek tuning.

The tuner scans for another station with the same type of programme.

### **Cancelling Programme Type Function During Its Operation:**

Press the ▶|| (PTY) button.

### **To scroll automatically:**

- 1 Press the DISP button to display the Radio Text.  
The text will be displayed in one scrolling display.
- 2 Press the DISP or CLK button to change the upper part of the display to radio text.
- 3 Holding down the DISP button for one second or more results in one scrolling display of the text.

#### **NOTE**

Please see the menu settings (page 38) about switching between manual scrolling and automatic scrolling.

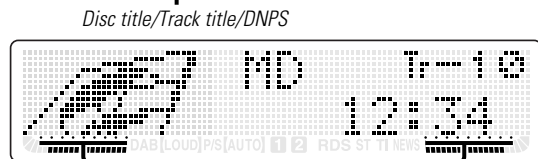
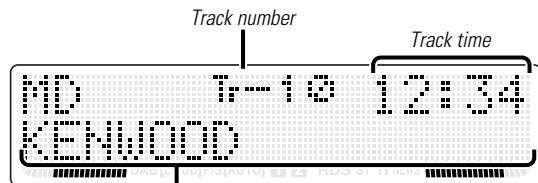
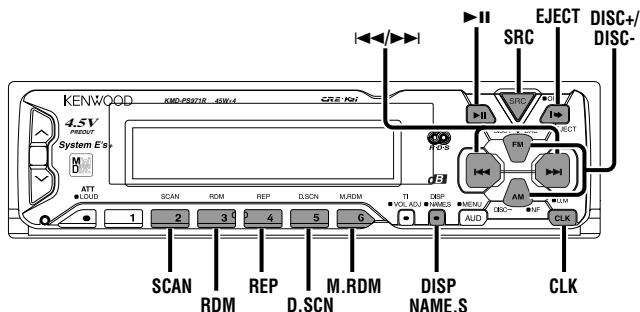
## **Radio Text Scroll**

This function permits the text to be scrolled and the entire text to be displayed. The scrolling method differs depending on the setting of scrolling in the menu.

### **To scroll manually:**

- 1 Press the DISP or CLK button to change the upper part of the display to radio text.
- 2 Holding down the DISP button for one second or more results in one scrolling display of the text.

## MD/External disc control features



•••(MD-IN) indicator

When a unit equipped with an O-N switch is to be connected, please also see the instruction manual of this unit. Set the O-N switch to "N". "N"-operation will be set.

### "N"-operation:

- The disc title and track title of the CD text can be displayed.
- The disc name will be displayed when the name has been registered to any connected unit with the Presetting Disc Names function, or when the playing unit contains a disc to which the disc title has been recorded.

### "O"-operation:

- CD text cannot be displayed.
- Regardless of the control unit, the characters that can be registered with the Presetting Disc Names function are "A~Z 0~9 /, +, -, \*, =, <, >, [, ]".
- The disc name will be displayed when the name has been registered to the playing unit with the Presetting Disc Names function.

### NOTE

The CD text, Presetting Disc Names, and Disc Name Preset Play functions may not be operational depending on the unit.

## Playing MDs

### Playing MDs:

Press the **EJECT** button to slide open the faceplate, showing the MD (insertion) slot. Insert the MD in the proper orientation. The faceplate will close, and the MD will start playing. The **•••(MD-IN)** indicator will light when an MD has been inserted.

### Playing MDs Already Inserted:

Press the **SRC** button repeatedly until the MD mode is obtained. "MD" is displayed when the MD mode has been selected. The MD will start playing.

### **Pausing and Restarting MD Play:**

Press the ►|| button to make the disc pause.  
Press the same button again to start play again.

### **Eject:**

Press the I➔(EJECT) button. The faceplate will slide to eject the MD.  
Press the I➔(EJECT) button to close the faceplate.

#### **▲CAUTION**

- Do not attempt to insert an MD into the slot if another one is already there.
- When the faceplate has been slid open, it might interfere with the gear lever or something else. If this happens, pay attention to safety and move the gear lever or take an appropriate action, then operate the unit.

#### **NOTE**

- The sound will be temporarily muted whilst the faceplate is moving.
- The only buttons that will work during the eject state are the I➔(EJECT), SRC, TI, and ATT buttons, as well as the volume control button.

## **Playing Other Disc mode**

This function permits the connection of optional players and the playing of discs other than the loaded MD (in the current unit).

### **Playing Discs:**

Press the SRC button repeatedly to select the external disc control mode.  
The disc will start playing.

#### **NOTE**

The external disc control mode will differ, depending on the unit that is connected.

Mode Display Examples

- "CD" ...when a CD player is connected
- "DISC" ...when a disc changer is connected
- "DISC-1" , "DISC-2" ...when two disc changers are connected

### **Pausing and Restarting Disc Play:**

Press the ►|| button to make the disc pause.  
Press the same button again to start play again.

#### **NOTE**

When one disc has finished playing its last track, the next disc in the changer will start playing. When the last disc in the changer has finished, the player will return to the first disc and start playing it.

## **Fast Forwarding and Reversing Disc Play**

### **Fast Forwarding Disc Play:**

Hold down on the ►► button.  
Release your finger to play the disc at that point.

### **Reversing Disc Play:**

Hold down on the ◀◀ button.  
Release your finger to play the disc at the point.

#### **NOTE**

You cannot use reverse play between tracks depending on the model being connected. Instead, the reverse play function is cancelled when it reaches the beginning of a track, at which point normal play automatically resumes.

## MD/External disc control features

### Track Search

Search forwards or backwards through the tracks on the disc until you reach the one that you want to listen to.

#### Making a Reverse Track Search:

Press the **◀◀** button to display the desired track number.  
 Press once to search back to the beginning of the current track, twice to search back to the beginning of the previous track, and so forth.  
 Play starts at the beginning of the displayed track number.

**NOTE** (For disc changers)

Pressing the **◀◀** button whilst listening to track 1 only searches back to the beginning of that track. The reverse search is not "recycled" to the last track on the disc.

#### Making a Forward Track Search:

Press the **▶▶** button to display the desired track number.  
 Press once to fast forward to the next track, twice to fast forward to the track after that, and so forth.  
 Play starts at the beginning of the displayed track number.

**NOTE** (For disc changers)

You cannot make a forward track search when listening to the last track on a disc.

### Disc Search

(Function of disc changers)

Search forwards or backwards through the discs in a disc changer until you reach the one that you want to listen to.

#### Making a Reverse Disc Search:

Press the **DISC-** button to display the desired disc number.  
 Each time the button is pressed, the displayed disc number decreases by one.  
 Play starts at the beginning of the displayed disc.

#### Making a Forward Disc Search:

Press the **DISC+** button to display the desired disc number.  
 Each time the button is pressed, the displayed disc number increases by one.

Play starts at the beginning of the displayed disc.

**NOTE**

"LOAD" is displayed when discs are being exchanged on the disc changer.

### Switching Display for Discs

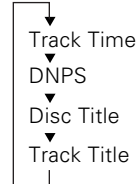
Switch the display that appears whilst discs are playing.

#### Switching Display for Discs:

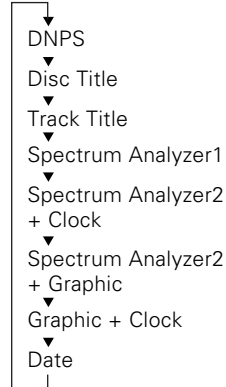
Each time you press the **DISP** button or **CLK** button, the display during disc play switches as follows:

- During vertical division mode display

Upper part display  
**DISP button**



Lower part display  
**CLK button**



**NOTE**

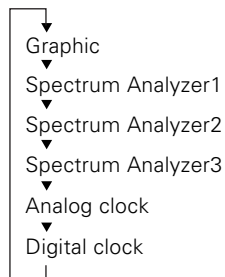
- The same items cannot be selected for both the upper part and the lower part.
- When the Black Mask function is turned on, the lower part display shows the clock only.



- During horizontal division mode

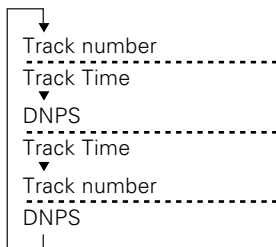
*Left side display*

**CLK button**



*Right side display*

**DISP button**



**NOTE**

This function cannot be operated whilst the Black Mask function is on.

- During the full-screen display mode

The display is switched each time the CLK button is pressed.

**NOTE**

For information regarding the display items, refer to "Switching Display" (page 12).

**NOTE**

- DNPS : function of disc changers.
- You can give names to discs through the presetting disc name function (page.28).  
Note that depending on the unit, display may not be possible.
- If you try to display the name of a disc that does not have one, "NO NAME" is displayed instead.
- When an attempt is made to display the title of a disc for which a disc title/track title has not been recorded, the CD will display "NO TEXT", the MD player built into this unit will display "NO TITLE", and an MD changer will display "NO TITLE/NO NAME".
- Depending on the type of characters of the CD Text, some characters may not be displayable.

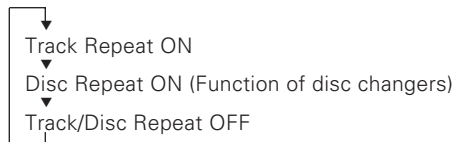
## MD/External disc control features

### Track / Disc Repeat

Repeat playing the current track or disc.

#### Turning Repeat Play Function On/Off:

Press the REP button to switch the repeat play function on and off as follows :



"Track Repeat/T-Repeat/Repeat ON" is displayed and the track number blinks in the display when track repeat is on.

"Disc Repeat/D-Repeat ON" is displayed and the disc number blinks in the display when disc repeat is on.

#### NOTE

Repeat play is cancelled when you eject the disc.

### Track Scan

Successively play the beginning of each track on a disc until you find the track that you want to listen to.

#### Starting the Track Scan:

Press the SCAN button. "Track Scan/Scan ON" is displayed and the first 10 seconds of each track are played, and the tracks are played in order.

The track number currently being heard blinks in the display.

#### Stopping to Listen to the Track Being Scanned:

Press the ►|| or SCAN button again to stop the scan and keep on listening to a track normally.

#### NOTE

- The track scan function is cancelled when you eject the disc.
- The track scan function only scans each track on a disc once.

### Disc Scan

(Function of disc changers)

Successively play the beginning of each disc on a changer until you find the one that you want to listen to.

#### Starting the disc scan:

Press the D.SCN button. "Disc Scan ON" is displayed and the first 10 seconds of each disc are played, in the order in which they are loaded on the changer.

The disc number currently being heard blinks in the display.

#### Stopping to Listen to the Disc Being Scanned:

Press the ►|| or D.SCN button again to stop the scan and keep on listening to the disc normally.

#### NOTE

- The disc scan function is cancelled when you eject the disc.
- The disc scan function only scans each disc on the changer once.
- "LOAD" is displayed when discs are being exchanged on the disc changer.

### Random Play

Play all the tracks on the current disc in random order.

- 1 Press the RDM button to switch the random play function on and off.

"Random ON" is displayed when random play is turned on.

The display of the track number changes continuously as the next track is being selected.

When the track has been selected, play starts.

The selected track number blinks in the display as it is being played.

#### NOTE (For disc changers)

When all the tracks on a certain disc have been played using the random play function, the next disc on the changer starts playing (with the random play function still turned on).

- 2 To change the track being heard, press the ►| button. Another track is selected and played.

**NOTE**

Random play is cancelled when you eject the disc.

**Magazine Random Play** *(Function of disc changers)*

Play the tracks on all the discs in the disc changer in random order.

- 1 Press the M.RDM button to switch the magazine random play function on and off.  
"M-Random ON" is displayed when magazine random play is turned on.  
The display of the disc and track numbers change continuously as the next track is being selected.  
When the disc/track has been selected, play starts.  
The selected disc/track number blinks in the display as it is being played.

**NOTE**

This function is not available with the following models:  
KDC-C200/C300/C400/C301/C401

- 2 To change the track being heard, press the ►► button.  
Another disc/track is selected and played.

**NOTE**

- Magazine random play is cancelled when you eject the disc.
- The time needed for random selection depends on the number of discs loaded in the disc magazine.

**Text / Title Scroll**

This function permits the text to be scrolled and the entire text to be displayed. The scrolling method differs depending on the setting of scrolling in the menu.

**To scroll manually:**

- 1 Press the DISP or CLK button to display the disc title or track title at the upper part of the display.
- 2 Holding down the DISP button for one second or more results in one scrolling display of the titles.

**To scroll automatically:**

- 1 Press the DISP button to display the disc title or the track title. The titles will be displayed in one scrolling display.

**NOTE**

When the disc or track to be played changes, the title is displayed in one scrolling display.

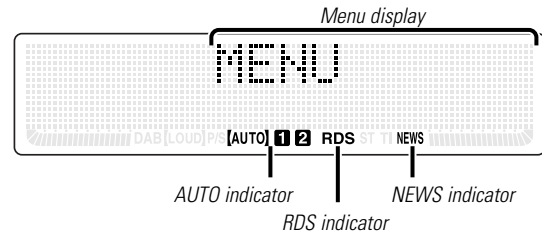
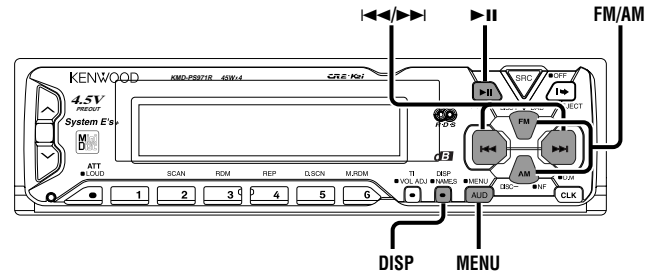
- 2 Press the DISP or CLK button to display the disc title or track title at the upper part of the display.
- 3 Holding down the DISP button for one second or more results in one scrolling display of the titles.

**NOTE**

Please see the menu settings (page 38) about switching between manual scrolling and automatic scrolling.



## Menu settings



## Menu settings

### Menu System

You can set the defaults for additional functions in the menu mode.

Make a setting for each function, referring to the following operations.

#### 1 Enter the menu mode

Hold down the MENU button for one second or more.

"MENU" is displayed when the menu mode is entered.

The function that you can adjust is indicated with the current settings displayed.

#### 2 Selecting function to set

Press the FM button to search through the functions until you see the one you want to adjust in the display.

Press the AM button to search through the functions backward.

Example: If you want to switch the tuning mode from AUTO1 to manual, first search through the functions until you see "Auto 1" in the display.



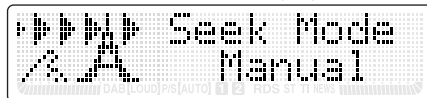
#### 3 Changing setting for currently displayed function

Press either the ◀◀ or ▶▶ button.

The setting will change for each function.

Example: The tuning mode will switch from AUTO 1 to AUTO

2. Pressing the button again switches the setting to manual, and "Manual" is displayed.



#### 4 Ending the menu mode

Press the MENU button.

#### NOTE

Make sure to end the menu mode when finished.

If you fail to end the menu mode, several functions may not operate properly, including the Traffic Information function, the News Bulletin function with PTY news timeout setting, and the Alarm function.

### Touch Sensor Tone

This function produces a beep sound that accompanies button operation. It can be switched on or off.

#### Display and setting:

"Beep ON" : Beep setting is on.

"Beep OFF" : Beep setting is off.

#### NOTE

The beep sound is not output from the preout jacks.

### Manual Time Adjustment

Adjust the time manually.

#### NOTE

This adjustment is available only when the automatic time adjustment is set to off. (page 32)

#### Display and setting:

- 1 Select the display "Clock Adjust" during the selecting function in the menu system.
- 2 Hold down either the ◀◀ or ▶▶ button for two seconds or more to enter the Manual time adjustment mode. The time display will blink.
- 3
  - Adjusting the hours  
Press the FM button to advance the hours, or press the AM button to make the hours go back.
  - Adjusting the minutes  
Press the ▶▶ button to advance the minutes, or press the ◀◀ button to make the minutes go back.

- 4 Press the MENU button to end the menu mode.

### Calendar Adjustment

Adjust the date for the unit so that you can use the calendar function.

#### *Display and setting:*

- 1 Select the display "Date Adjust" during the selecting function in the menu system.
- 2 Hold down either the I◀◀ or ▶▶I button for two seconds or more to enter the Calendar adjustment mode.  
The date display will blink.
- 3 **Selecting the item (day, month, or year) to adjust**  
Press the I◀◀ or ▶▶I button.  
The item blinking in the display can be adjusted.
- 4 **Adjusting the date**  
Press the FM or AM button.  
The item of the date blinking in the display will change.
- 5 Press the MENU button to end the menu mode.

### Calendar Mode

You can set the date formats of the calendar function.

#### *Display and setting:*

- 1 Select the display "Date Mode" during the selecting function in the menu system.
- 2 Press the I◀◀ and ▶▶I button to select the date format you want to show in the display.  
The sample of the date format for today is displayed.

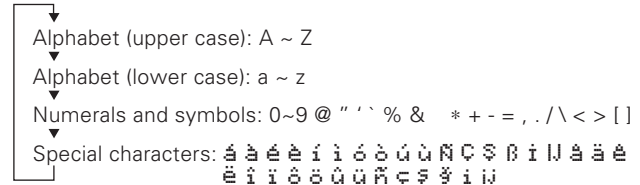
## Menu settings

### Memo Mode

You can input the text to be displayed and set the date when that text will appear in the display with the calendar function.

#### Display and setting:

- 1 Select the display "Memo Mode" during the selecting function in the menu mode.
- 2 Hold down either the ◀◀ or ▶▶ button for two seconds or more to enter the Memo mode.  
The date display will blink.
- 3 **Selecting the set of the date and text to be displayed**  
Press the FM and AM button.  
If you want to input a new text, select the blank display.
- 4 **Entering the month or day setting mode**  
Press the ◀◀ and ▶▶ button to enter the month or day setting mode.  
The month display will blink enter the month setting mode, the day display will blink enter the day setting mode.
- 5 **Changing the month or day**  
Press the FM and AM button.
- 6 **Entering the text input mode**  
Press the ▶▶ button to enter the text input mode.  
The cursor blinks in the position where character input can be made.
- 7 **Inputting / Changing the text**
  - Moving the cursor  
Press the ◀◀ and ▶▶ button.
  - Changing the type of characters  
Press the ▶|| button.  
Each time the button is pressed, the type of characters switches as follows.



- Selecting the character  
Press the FM and AM button.
- 8 Press the MENU button to end the menu mode.

#### NOTE

- The text you selected automatically appears on the date you set when the unit's power is first turned on. (Calendar function)  
Pressing the DISP button for one second or more scrolls the display once, regardless of the text scroll setting.  
Pressing a button other than the DISP button will cause the text to disappear from the display.
- You can enter up to 32 characters for each text.
- The calendar function can be set up to 30 cases.
- To delete the date and text setting, set both the month and day of the date to "00" or set all of the text to blanks.

### Automatic Time Adjustment

With automatic time adjustment, you can set the clock time automatically according to time data sent from RDS stations (after receiving RDS signals for several minutes). You can also set the time manually if the automatic time adjustment function is turned off. The factory default is automatic time adjustment.

#### Display and setting:

- "SYNC ON" : Automatic time adjustment
- "SYNC OFF" : Manual time adjustment

#### Adjusting Time Automatically:



Tune into an RDS station for 3 or 4 minutes.  
The time adjusts automatically to the correct local time.

#### NOTE

The time is not adjusted when the RDS station you are tuned to is not transmitting a time signal. Choose another RDS station in such a case.

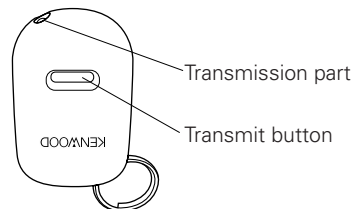
## Mask Key

If you have transmitted the Mask Key's signal once to the unit in advance, you will have to transmit it once again if the unit has been removed from the battery. This function helps prevent theft.

### When using the unit for the first time:

In order to deactivate the demonstration mode, be sure to press the transmit button to transmit the Mask Key's signal. If this procedure is not carried out, the control panel of the unit will re-open in two seconds even with your vehicle's ignition turned off.

- 1 Press the SRC button repeatedly to select the standby mode. "ALL OFF" is displayed when the standby mode is selected.
- 2 Hold down the MENU button for one second or more. "MENU" is displayed and the menu mode is turned on.
- 3 Press the FM button repeatedly until the "Mask key" appears in the display. Press the AM button to search in the other direction.
- 4 Hold down either the ◀◀ or ▶▶ button for two seconds or more. "TRANSMIT 1" will appear in the display, indicating the setting mode has been entered.
- 5 Hold down the transmit button on the Mask key until the full transmit level indicator lights up in the display. "TRANSMIT 2" will be displayed.



#### NOTE

- Keep the Mask Key close to the signal sensor when you transmit the Mask Key's signal.
  - If the Mask Key's signal does not be received correctly, the display will return to "TRANSMIT 1". In this case, repeat the procedure in step 5.
- 6** Hold down the transmit button on the Mask key again until the full transmit level indicator lights up in the display. "APPROVED" will appear in the display, with the Mask key function turning on.

### If you press the RESET button or remove the battery:

The first time you turn the unit on again, "TRANSMIT 1" will appear in the display, indicating the setting mode has been entered. Repeat steps 5 and 6 above, and transmit the signal. You can start operating the unit again when "APPROVED" appears in the display.

## Selectable Illumination

You can switch the colour of the button illumination between green and red.

### Display and setting:

- "Color Green": The colour of the illumination is green.
- "Color Red": The colour of the illumination is red.

## Menu settings

### Brightness level adjustment

You can adjust the brightness level of the unit separately when your car's light switch has been turned on or off.

#### Display and setting:

"Bright 0" – "Bright 10"

#### NOTE

The initial setting value whilst your car's light switch is turned on is "5" , and whilst the light is turned off is "10" .

### Dimmer

You can dim the display.

#### NOTE

The dimmer function is not available for units if the dimmer cable is not connected.

#### Display and setting:

"Dimmer ON" : The dimmer setting is on.

"Dimmer OFF" : The dimmer setting is off.

### Switching Graphic Display

You can turn the movement of graphic display on and off. The initial setting is ON.

#### Display and setting:

"Graphic ON" : The graphic display works.

"Graphic OFF" : The graphic display does not work.

### Black Mask

This function allows you to turn off the graphic part of the display if there is too much information in the display.

#### Display and setting:

"BLACK MASK ON" : The display will be shown in horizontally divided mode. When this function is enabled, the dual display mode is entered and ●●● (MD-IN) indicator is displayed. Clock alone is displayed in the lower part.

"BLACK MASK OFF" : The display will turn on by using the whole part of the display.

#### NOTE

This function cannot be set in the full-screen display and horizontal division display.

### Time setting for removing the faceplate

You can set the interval during which the open control panel cannot reverse to be hidden. During the period you have set, the faceplate can be removed from the faceplate bracket.

#### Display and setting:

"OFF WAIT" : 0sec / 3sec / 5sec / 10sec / 15sec / 20sec / 25sec (sec=sec.)

#### NOTE

If you do not slide the faceplate lock switch during the period which you have set, the unit's power turns off after the control panel is automatically hidden.

### Dual Zone System

The following operation allows separate sound sources to control the output of the front and rear speakers. The Dual zone system can only be switched on or off when the source is set to the AUX mode.

#### Display and setting:

"Zone 2 ON" : The dual zone system function is on.

"Zone 2 OFF" : The dual zone system function is off.

#### NOTE

- You must purchase the optional KCA-S210A/CA-C1AX/KDC-CPS82/KDC-CX82/KDC-CPS85/KDC-CX85 device before you can use this function.
- You can choose to send the AUX input through the rear channel, and the unit's tuner or MD source through the front channel.
- The Bass, Treble and Loudness adjustments do not affect the rear channel.
- When the Dual zone system is turned on, the External disc control features cannot be used.
- When you set the Dual zone system to on whilst the non-fading preout is switched on, the sound of the non-fading preout does not be outputted.

### Manual Open Button Setting

By pressing the button hidden behind the upper left part of the faceplate during forced closing, you can open the faceplate. Follow the directions below to preset the number of times that this button needs to be pressed in order to open the faceplate.

#### Display and setting:

"OPEN SW 1" – "OPEN SW 3"

#### NOTE

The initial setting value is "1" .

### dB (Sound Coordinate system)

When this system is set to on, the sound coordinate factors (Bass frequency, Bass quality, Bass extension, and Treble frequency) appear during the audio control mode.

#### Display and setting:

"dB set ON" : The sound coordinate factors appear and can be adjusted.

"dB set OFF" : The sound coordinate factors are not appeared.

### External Amp Control

Adjust the bass boost level of the external amplifier using the main unit.

#### Display and setting:

"AMP BASS Flat" : Bass boost level is flat.

"AMP BASS +6" : Bass boost level is low (+6dB).

"AMP BASS +12" : Bass boost level is high (+12dB).

#### NOTE

As of December 1999, the power amplifiers controllable by the main unit are as follows:  
KAC-X501F/PS501F/X401M/PS401M/X301T/PS301T/X201T/PS201T.

## Menu settings

### News Bulletin Function with PTY News Timeout Setting

You can arrange to have news bulletins interrupt your current listening source, including other radio stations. When the News Bulletin function is on, the PTY News Timeout setting allows you to set the interval during which further news interruption cannot take place. You can adjust the PTY news interruption period from 10 to 90 minutes for each journey.

#### Display and setting:

"NEWS OFF/ 00min/ 10min/ 20min/ 30min/ 40min/ 50min/ 60min/ 70min/ 80min/ 90min" (min= minutes)

: When you select the news interruption timeout interval, the News function turns on and the NEWS indicator lights up. When a news bulletin is received, "NEWS" will be displayed and reception will begin at the preset volume.

#### NOTE

- If you choose the "20min" setting, further news bulletins will not be received for 20 minutes once the first news bulletin is received.
- This function is only available if the desired station sends PTY-code for news bulletin or belongs to <Enhanced Other Network>-Network sending PTY-code for news bulletin.
- If you turn on the news bulletin function in the MW/LW band, the band is switched automatically to the FM band. However, the MW/LW band is not returned to when you turn off the function.

### Local Seek Function

With the local seek function turned on, auto seek tuning skips stations with relatively poor reception.

#### Display and setting:

"Local.S ON" : The local seek function is on.  
 "Local.S OFF" : The local seek function is off.

### Selecting Tuning Mode

You can choose from three tuning modes: auto seek, preset station seek, and manual. The "AUTO 1" indicator lights up when auto seek tuning is selected, and the "AUTO 2" indicator lights when preset station seek tuning is selected.

#### Display and setting:

"Seek Mode Auto 1" : Auto seek tuning mode  
 "Seek Mode Auto 2" : Preset station seek tuning mode  
 "Seek Mode Manual" : Manual tuning mode

### Auto Memory Entry

You can automatically store all the receivable frequencies in the band currently being listened to, and then recall them with the touch of a button later. This function is especially useful when you are travelling and do not know what stations are available. Up to 6 frequencies can be stored this way.

#### Display and setting:

- 1 Select the display "A-Memory" during the selecting function in the menu system.
- 2 Hold down either the ◀◀ or ▶▶ button for two seconds or more to start auto memory function.  
 The numbers of the preset station buttons showed in order. When all the stations in a certain band are stored in the preset memory, the auto memory entry stops. The tuner then plays the last station received.

#### NOTE

- When the AF function is turned on whilst auto memory entry takes place, only RDS stations (i.e., stations with RDS capability) are stored. RDS stations that have been preset for FM1 cannot also be preset in FM2 or FM3.
- When the local seek function is turned whilst auto memory entry takes place, stations with poor reception are not stored.
- When the Traffic Information function is on, only the local traffic information station frequency will be stored.

#### Cancelling Auto Memory Entry During Its Operation:

Press the MENU button whilst auto memory entry is taking place to stop the process.

#### **Recalling a Preset Station:**

Press the preset station button (#1-6) for the desired station. The number of the recalled station is displayed.

#### **NOTE**

Sometimes stations in the same network broadcast different programmes or use different programme service names.

### **AF (Alternative Frequency) Function**

When poor reception is experienced, automatically switch to another frequency broadcasting the same programme in the same RDS network with better reception. The RDS indicator lights up when the AF function is turned on.

#### **Display and setting:**

"AF ON" : The AF function is on.

"AF OFF" : The AF function is off.

#### **NOTE**

- When no other stations with stronger reception are available for the same programme in the RDS network, you may hear the incoming broadcast in bits and snatches. Turn off the AF function in such a case.
- The AF function can be turned on or off even when the standby mode has been turned on. If the power is on, the AF function tunes in to stations that offer good reception.

### **Auto TP Seek Function**

When the TI function is on and poor reception conditions are experienced when listening to a traffic information station, another traffic information station with better reception will be searched for automatically. This function is on, when unit is first powered on.

#### **Display and setting:**

"ATPS ON" : The Auto TP Seek Function is on.

If the traffic information station you are tuned to experiences poor reception, this function automatically seeks another TP station.

"ATPS OFF" : The Auto TP Seek Function is off.

### **Monaural Reception**

When poor stereo reception is experienced, this function will reduce noise and improve listening conditions.

#### **Display and setting:**

"MONO ON" : The monaural reception is on.

"MONO OFF" : The monaural reception is off.

### **Restricting RDS Region (Region Restrict Function)**

You can choose whether or not to restrict the RDS channels, received with the AF function for a particular network, to a specific region. When the Region Restrict Function is on, the region is restricted.

#### **Display and setting:**

"Regional ON" : The Region Restrict Function is on.

"Regional OFF" : The Region Restrict Function is off.

## Menu settings

### Text Scroll

This function permits the CD text, MD title, Radio text, and Calendar function to be scrolled and the entire text to be displayed. Switching between manual scrolling and automatic scrolling is permitted. The factory default is manual scrolling.

#### Display and setting:

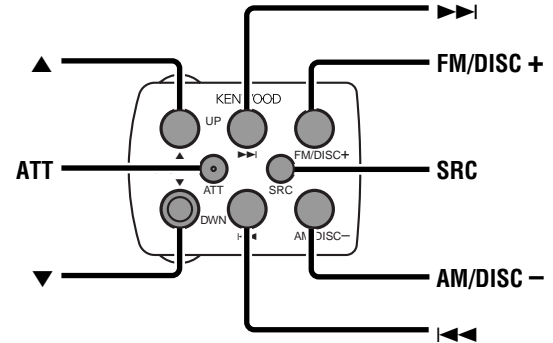
"Scroll Auto" : Automatic scrolling

"Scroll Manual" : Manual scrolling

#### NOTE

- Radio Text Scroll (page 21)
- Text / Title Scroll (page 27)

## Basic Operations of steering remote control



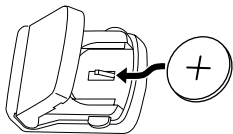
#### ▲WARNING

To prevent accidents, do not attempt to use the steering remote control whilst turning the steering wheel.

#### Loading and Replacing the Lithium Battery:

Use one lithium battery (CR2025).

Insert the battery with the + and - poles aligned properly, following the illustration.



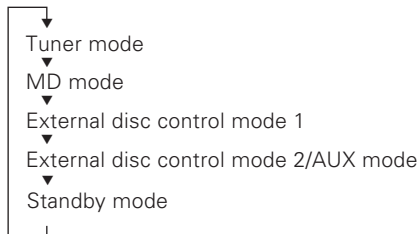
#### ▲WARNING

Store unused lithium batteries out of the reach of children. Contact a doctor immediately if the battery is accidentally swallowed.

### Basic operations

#### • SRC button

Each time you press the SRC button, the mode switches as follows:



#### NOTE

- The mode switches to the next mode from any mode which

cannot be used.

- The external disc control mode will differ depending on the unit that is connected.
- The AUX mode is available only when the changer / AUX switching adapter (KCA-S210A or CA-C1AX) or CD changer (KDC-CPS85, KDC-CX85, KDC-CPS82 or KDC-CX82) is connected to this unit. During the AUX mode, "AUX" / AUX-name will show in the display. When the CA-C1AX is being used, the AUX Mode will replace the External Disc Control Mode.
- **VOLUME buttons**  
Press the ▲ button to turn the volume up.  
Press the ▼ button to turn the volume down.
- **ATT button**  
Turns down the volume quickly. To return the volume to its original level, press the button again. Turning the volume up, or turning it all the way down deactivates the attenuator function.

### Tuner features

#### • TUNE buttons

Press the ◀◀ button to make decreasing seeks (using the preset tuning mode).

Press the ▶▶ button to make increasing seeks (using the preset tuning mode).

#### • FM button

Selects and switches between the FM1, FM2 and FM3 bands.

#### • AM button

Selects the MW and LW bands.

## ***Basic Operations of steering remote control***

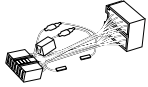
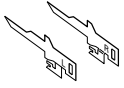


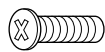
### **MD/External disc control features**

- **DISC buttons (for disc changers)**  
Press the AM/DISC- button to search through the discs backwards.  
Press the FM/DISC+ button to search through the discs forwards.
- **TRACK buttons**  
Press the ◀◀ button to search through the tracks backwards.  
Press the ▶▶ button to search through the tracks forwards.



## Accessories

### External view

	.....	Number of items
①		.....1
②		.....1
③		.....1
④		.....1
⑤		.....1

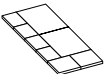
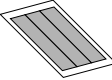
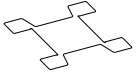
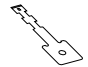
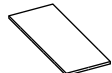
#### ▲CAUTION

The use of any accessories except for those provided might result in damage to the unit. Make sure only to use the accessories shipped with the unit, as shown above.

## Installation Procedure

1. To prevent short circuits, remove the key from the ignition and disconnect the ⊖ terminal of the battery.
2. Make the proper input and output cable connections for each unit.
3. Connect the cable on the wiring harness.
4. Take Connector B on the wiring harness and connect it to the speaker connector in your vehicle.

### External view

	.....	Number of items
⑥		.....1
⑦		.....1
⑧		.....1
⑨		.....1
⑩		.....1

5. Take Connector A on the wiring harness and connect it to the external power connector on your vehicle.
6. Connect the wiring harness connector to the unit.
7. Install the unit in your car.
8. Reconnect the ⊖ terminal of the battery.

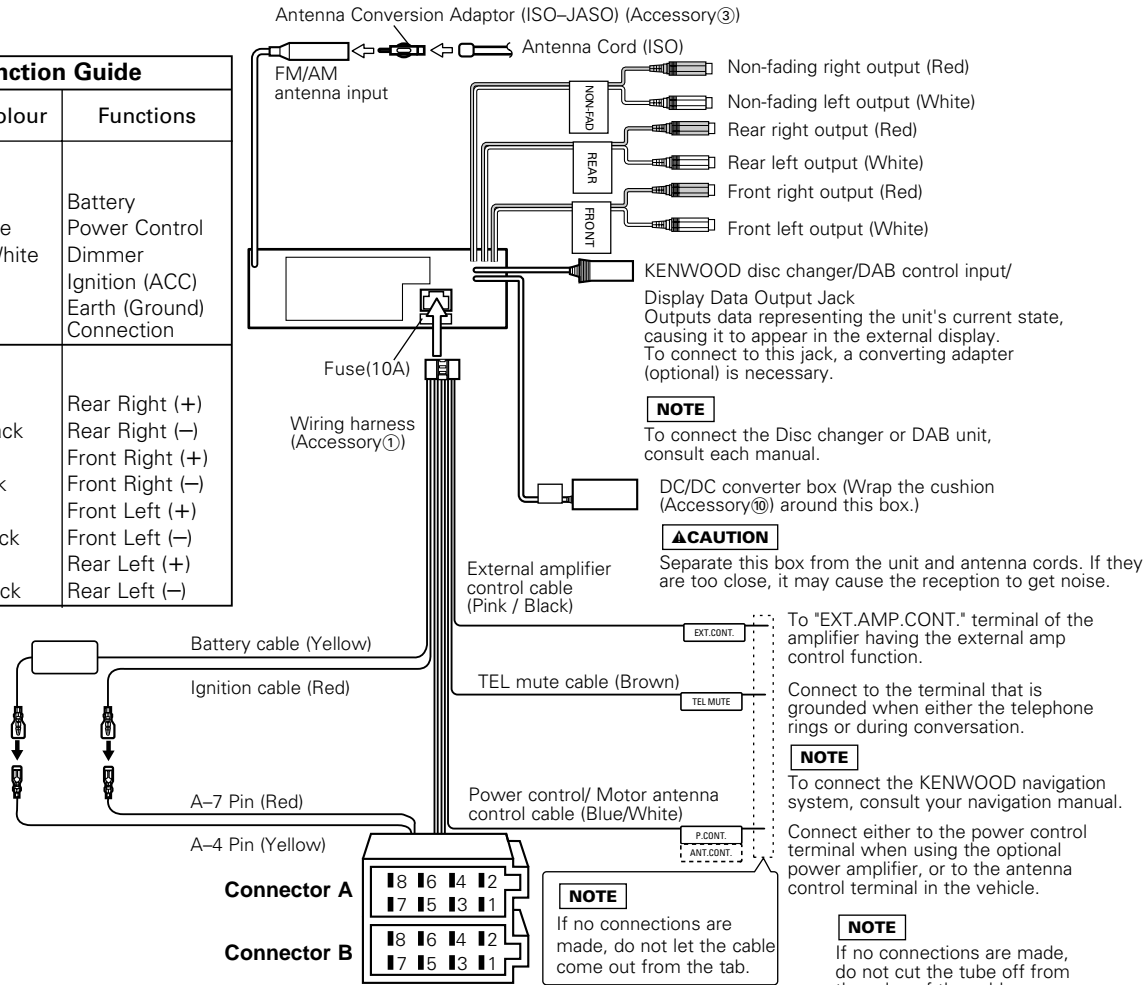
#### ▲CAUTION

- If your car is not prepared for this special connection-system, consult your KENWOOD dealer.
- Only use antenna conversion adapters (ISO-JASO) when the antenna cord has an ISO plug.
- Make sure that all cable connections are securely made by inserting jacks until they lock completely.
- If your vehicle's ignition does not have an ACC position, or if the ignition cable is connected to a power source with constant voltage such as a battery cable, the power will not be linked with the ignition (i.e., it will not turn on and off along with the ignition). If you want to link the unit's power with the ignition, connect the ignition cable to a power source that can be turned on and off with the ignition key.
- If the fuse blows, first make sure that the cables have not caused a short circuit, then replace the old fuse with one with the same rating.
- Do not let unconnected cables or terminals touch metal on the car or anything else conducting electricity. To prevent short circuits, also do not remove the caps on the ends of the unconnected cables or the terminals.
- Connect the speaker cables correctly to the terminals to which they correspond. The unit may receive damage or fail to work if you share the ⊖ cables and/or ground them to any metal part in the car.
- After the unit is installed, check whether the brake lamps, indicators, wipers, etc. on the car are working properly.
- Insulate unconnected cables with vinyl tape or other similar material.
- Some disc changers need conversion cables for connection. See the section on "Safety Precautions" for details.
- If the console has a lid, make sure to install the unit so that the faceplate does not hit the lid when closing and opening.
- Mount the unit so that the mounting angle is 30° or less.

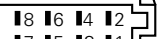
# Connecting Cables to Terminals

English

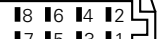
Connector Function Guide		
Pin Numbers for ISO Connectors	Cable Colour	Functions
External Power Connector		
A-4	Yellow	Battery
A-5	Blue/White	Power Control
A-6	Orange/White	Dimmer
A-7	Red	Ignition (ACC)
A-8	Black	Earth (Ground) Connection
Speaker Connector		
B-1	Purple	Rear Right (+)
B-2	Purple/Black	Rear Right (-)
B-3	Gray	Front Right (+)
B-4	Gray/Black	Front Right (-)
B-5	White	Front Left (+)
B-6	White/Black	Front Left (-)
B-7	Green	Rear Left (+)
B-8	Green/Black	Rear Left (-)



Connector A



Connector B



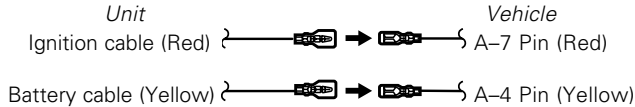
## Connecting Cables to Terminals

**⚠ WARNING** Connecting the ISO Connector (see p.42)

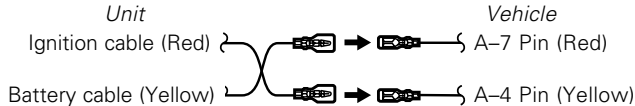
The pin arrangement for the ISO connectors depends on the type of vehicle you drive. Make sure to make the proper connections to prevent damage to the unit.

The default connection for the wiring harness is described in **1** below. If the ISO connector pins are set as described in **2** or **3**, make the connection as illustrated.

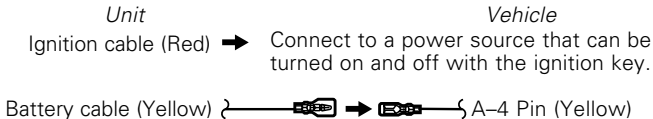
- 1** (Default setting) The A-7 pin (red) of the vehicle's ISO connector is linked with the ignition, and the A-4 pin (yellow) is connected to the constant power supply.



- 2** The A-7 pin (red) of the vehicle's ISO connector is connected to the constant power supply, and the A-4 pin (yellow) is linked to the ignition.

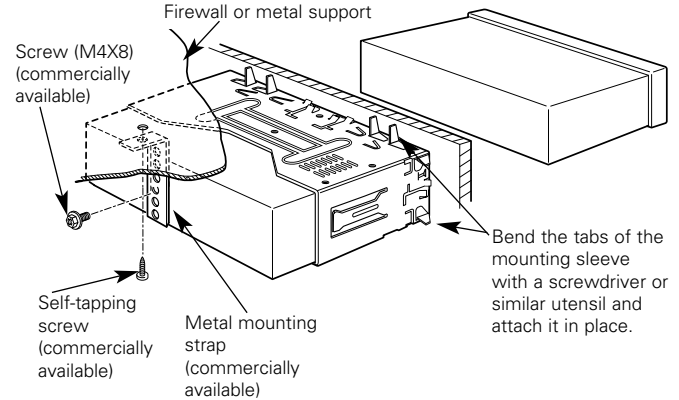


- 3** The A-7 pin (red) of the vehicle's ISO connector is not connected to anything, whilst the A-4 pin (yellow) is connected to the constant power supply (or both the A-7 (red) and A-4 (yellow) pins are connected to the constant power supply).



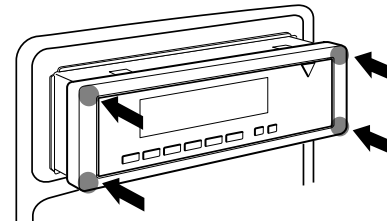
## Installation

### ■ Installation



### NOTE

Make sure that the unit is installed securely in place. If the unit is unstable, it may malfunction (eg, the sound may skip).



### ⚠ CAUTION

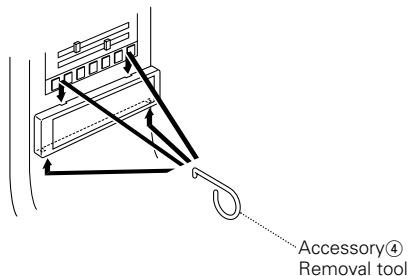
To attach this unit, make sure the front of the control panel faces you and fit it into the mounting sleeve by pressing the four corners of the hard rubber frame at the same time.

Do not apply strong pressure to other sections than the corners; otherwise troubles such as the impossibility of opening or closing the panel may result.

## Removing the Unit

### ■ Removing the hard rubber frame

Insert the removal tool into the indentations in the hard rubber frame, and pull it gently until the lock is released.



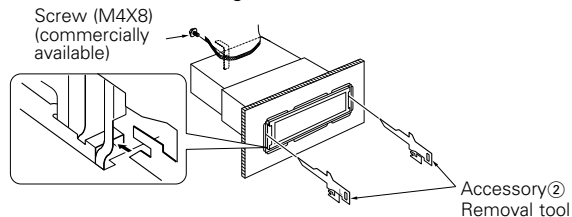
### ■ Removing the Unit

- 1 Make the faceplate control panel appear.

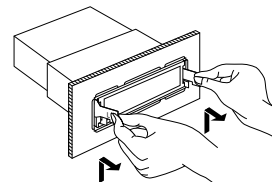
#### NOTE

When the control panel of the faceplate is hidden, the unit will be locked by the sleeve, making it more difficult to remove the unit.

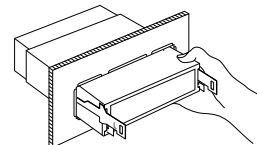
- 2 Refer to the section "Removing the hard rubber frame" and then remove the hard rubber frame.
- 3 Remove the screw (M4×8) on the back panel.
- 4 Insert the removal tool deeply, as illustrated, with the L on the left and the R on the right.



- 5 Push upward the both tools, as shown, and pull the unit toward you until it is halfway out. The unit may drop if you pull it out completely.



- 6 Pull the unit all the way out with your hands, being careful not to drop it.

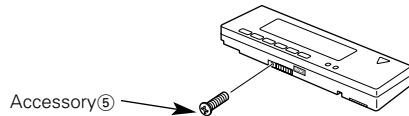


## Locking the faceplate to the unit

### ■ Locking the faceplate to the unit

If you want to lock the faceplate to the unit so that it does not fall off, follow the directions below.

- 1 Refer to the function "Removing the faceplate (page 14)" and remove the faceplate.
- 2 Insert the provided screw into the hole at the centre of the bottom side of the faceplate which you have removed from the unit.



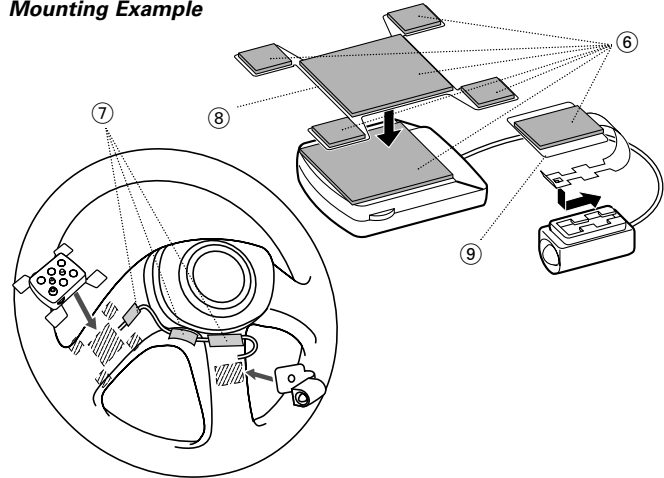
- 3 Refer to the section "Removing the faceplate (page 14)" and then reattaching the faceplate.

#### ▲CAUTION

Never insert the taptite screws ( $\varnothing 2 \times 6$  mm) in any other screw holes than the one specified. If you insert it in another hole, it will contract and may cause damage to the mechanical parts inside the unit.

## Attaching Steering Remote Control

### Mounting Example



Attach the operation section and the light emitting section of the Steering Remote Control as shown above.

Be sure to attach them to positions that can ensure proper operation.

#### ▲CAUTION

- Clean dirt and oil from the positions where the Steering Remote Control sections are to be attached.
- If the attached position is cold, warm it before attaching.
- The position should be selected so that the product does not come in the way of steering operation.
- Do not attach anything on the surface of a steering wheel incorporating an air bag.
- Before finally affixing the transmitter, check various angles to find an orientation that provides faithful operation.

## Troubleshooting Guide

What might appear to be a malfunction in your unit may just be the result of slight misoperation or miswiring. Before calling service, first check the following table for possible problems.


PROBLEM	POSSIBLE CAUSE	SOLUTION
The power does not turn on.	The fuse has blown.	After checking for short circuits in the cables, replace the fuse with one having the same rating.
	No ACC position on vehicle ignition.	Connect the same cable to the ignition as the battery cable.
No sound can be heard, or the volume is low.	The Attenuator function is turned on.	Turn off the Attenuator function.
	The fader and/or balance settings are set all the way to one side.	Reset the fader and/or balance settings.
	The input/output cables or wiring harness are connected incorrectly.	Reconnect the input/output cables and/or the wiring harness correctly. See the section on "Connecting Cables to Terminals".
	The values of "VOL OFFSET" are low.	Increase the values of "VOL OFFSET". (see p. 10)
Nothing happens when the buttons are pressed.	The computer chip in the unit is not functioning normally.	Press the reset button on the unit (see page 4).
The sound quality is poor or distorted.	A speaker cable may be pinched by a screw in the car.	Check the speaker wiring.
	The speakers are not wired correctly.	Reconnect the speaker cables so that each output terminal is connected to a different speaker.
Radio reception is poor.	The car antenna is not extended.	Pull out the antenna all the way.
	The antenna control cable is not connected.	Connect the cable correctly, referring to the section on "Connecting Cables to Terminals".
The memory is erased when the ignition is turned off.	The battery cable has not been connected to the proper terminal.	Connect the cable correctly, referring to the section on "Connecting Cables to Terminals".
	The ignition and battery cable are incorrectly connected.	Connect the cable correctly, referring to the section on "Connecting Cables to Terminals".
The TEL mute function does not work.	The TEL mute cable is not connected properly.	Connect the cable correctly, referring to the section on "Connecting Cables to Terminals".
The TEL mute function turns on even though the TEL mute cable is not connected.	The TEL mute cable is touching a metal part of the car.	Pull the TEL mute cable away from the metal part of the car.
The faceplate does not open or close.	The faceplate is incorrectly attached.	Reattach the faceplate correctly, See the section on "Removing the Faceplate".(page.14)

## Troubleshooting Guide

### MD/External disc control mode

PROBLEM	POSSIBLE CAUSE	SOLUTION
MD mode cannot be set.	The faceplate was closed whilst the MD was being ejected.	Press the eject(▲) button and reinsert the MD.
The MD cannot be inserted.	There is already an MD loaded.	Eject the currently loaded MD and then load the new one.
The MD does not load.	The insertion orientation of the MD is incorrect or the MD is upside down.	Insert the MD in the proper orientation.
The MD loads but soon comes out again.	Nothing is recorded on the MD.	Replace the MD with one that is recorded.
The sound skips.	The mounting angle exceeds 30°.	Adjust to an angle of less than 30°.
	The mounting is unstable.	Fix the unit securely. When the sound skips at the same portion even when the car is stopped, the problem lies with the MD.
There is noise during playback.	The MD is soiled with dust or dirt.	If another MD is played back and there is no problem, then the problem is due to the sound quality of the MD itself.
The specified track does not play.	Random play or magazine random play has been selected.	Turn off the random play or magazine random play function.
Track repeat, disc repeat, track scan, disc scan, random play, and magazine random play start by themselves.	The setting is not cancelled.	The settings for these functions remain on until the setting to off or the disc ejected, even if the power is turned off or the source changed.
The disc control mode cannot be selected.	No cable has been connected to the disc changer input terminal on the unit.	Connect the cable to the disc changer input terminal on the unit.
The specified disc does not play, but another one plays instead.	The specified CD is very dirty.	Clean the CD.
	The CD is upside-down.	Load the CD with the labelled side up.
	The disc is loaded in a different slot from that specified.	Eject the disc magazine and check the number for the specified disc.
	The disc is severely scratched.	Try another disc instead.
The sound skips.	Something is touching the disc changer.	Remove whatever is touching it.
	The CD is scratched or dirty.	If skipping happens at the same place when the car is stopped, something is wrong with the CD. Clean the CD.
The display shows that the changer is being played, but no sound can be heard.	The computer chip in the unit is not functioning normally.	Press the reset button on the unit (see page 4).

The following messages are displayed when certain problems are occurring in your system. Take the recommended actions.

EJECT	No disc magazine has been loaded in the changer. The disc magazine is not completely loaded. ⇒ Load the disc magazine properly. No CD in the unit. ⇒ Insert the CD.
NO DISC	No disc has been loaded in the disc magazine. ⇒ Load a disc into the disc magazine.
E-04	No disc has been loaded in the disc magazine. ⇒ Load a disc into the disc magazine. The CD is very dirty. The CD is upside-down. The CD is scratched a lot. ⇒ Clean the CD and load it correctly.
BLANK	Nothing has been recorded on the MD.
NO TRACK	No tracks are recorded on the MD, although it has a title.
NO PANEL	The faceplate of the slave unit being connected to this unit has been removed. ⇒ Replace it.
E-77	The unit is malfunctioning for some reason. ⇒ Press the reset button on the unit. If the "E- 77", code does not disappear, consult your nearest service centre.
E-99	Something is wrong with the disc magazine. Or the unit is malfunctioning for some reason. ⇒ Check the disc magazine. And then, press the reset button on the unit. If the "E- 99" code does not disappear, consult your nearest service center.
HOLD	The protective circuit in the unit activates when the temperature inside the automatic disc changer exceeds 60°C (140°F), stopping all operation. ⇒ Cool down the unit by opening the windows or turning on the air conditioner. As the temperature falls below 60°C (140°F), the disc starts playing again.
 (MD-IN)	The MD player section is not operating properly. ⇒ Reinsert the MD. If the MD cannot be ejected or the display continues to flash even when the MD has been properly reinserted, please switch off the power and consult your nearest service centre.

**If the following situations, consult your nearest service centre:**

- Even though the disc changer is connected, the Disc Changer Mode is not on, with "AUX" showing in the display during the Changer Mode.
- Even though no device (KCA-S210A, CA-C1AX, KDC-CPS85, KDC-CX85, KDC-CPS82 or KDC-CX82) is connected, the AUX Mode is entered when switching modes.



## Specifications

### Specifications subject to change without notice.

#### **FM tuner section**

Frequency range (50 kHz Space) .....	87.5 MHz – 108.0 MHz
Usable sensitivity (S/N=26dB) .....	0.7 $\mu$ V/75 $\Omega$
Quieting Sensitivity (S/N=46dB) .....	1.6 $\mu$ V/75 $\Omega$
Frequency response ( $\pm$ 3.0 dB) .....	30 Hz – 15 kHz
Signal to Noise ratio (MONO) .....	65 dB
Selectivity (DIN) (400kHz) .....	$\geq$ 80 dB
Stereo separation (1 kHz) .....	35 dB

#### **MW tuner section**

Frequency range (9kHz Space) .....	531 kHz – 1611 kHz
Usable sensitivity (S/N=20dB) .....	25 $\mu$ V

#### **LW tuner section**

Frequency range .....	153 kHz – 281 kHz
Usable sensitivity (S/N=20dB) .....	45 $\mu$ V

#### **MD player section**

Laser diode .....	GaAlAs ( $\lambda$ =780 nm)
Digital filter (D/A) .....	8 Times Over Sampling
D/A Converter .....	1 Bit
Spindle speed .....	400 – 900 rpm (CLV)
Wow & Flutter .....	Below Measurable Limit
Frequency response ( $\pm$ 2 dB) .....	20 Hz – 20 kHz
Total harmonic distortion (1 kHz) .....	0.01 %
Signal to Noise ratio .....	90 dB (1 kHz)
Dynamic range .....	90 dB
Channel separation .....	85 dB

#### **Audio section**

Maximum output power .....	45 W $\times$ 4
Output power (DIN 45324, +B=14.4V) .....	28 W $\times$ 4
Tone action	
Bass: .....	100 Hz $\pm$ 10 dB
Treble: .....	10 kHz $\pm$ 10 dB
Preout level / Load .....	4500 mV/10 k $\Omega$ (MD/CD)
Preout impedance .....	80 $\Omega$

#### **General**

Operating voltage .....	14.4 V (11 – 16 V allowable)
Current consumption .....	10 A
Installation size (W $\times$ H $\times$ D) .....	182 $\times$ 53 $\times$ 162 mm
Weight .....	1800 g

KENWOOD

## Free Manuals Download Website

<http://myh66.com>

<http://usermanuals.us>

<http://www.somanuals.com>

<http://www.4manuals.cc>

<http://www.manual-lib.com>

<http://www.404manual.com>

<http://www.luxmanual.com>

<http://aubethermostatmanual.com>

Golf course search by state

<http://golfingnear.com>

Email search by domain

<http://emailbydomain.com>

Auto manuals search

<http://auto.somanuals.com>

TV manuals search

<http://tv.somanuals.com>