

STEREO SYSTEM RACK

# SRC-402 © /442 ©

# KENWOOD

KENWOOD CORPORATION

## ASSEMBLY INSTRUCTIONS

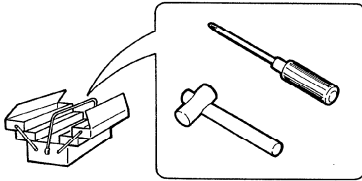
©PRINTED IN U.S.A. B81-0520-00(K)(TCA)  
R0260

### IMPORTANT:

- Before operating your new KENWOOD product, read through this assembly manual carefully to get the most out of it.
- Save this assembly instructions.

### Before Assembling

- Be sure to check that all parts are accounted for before disposing of the packing case.
- A Phillips screwdriver and a mallet are required for assembling.
- Be careful not to damage the floor and rack.



### Notes on Assembling

- During assembling, be sure to verify the numbers stamped on the boards.
- Mount the rear panel after assembling the side panel on the bottom shelf at a right angle.
- When mounting the top shelf and kick plate on the side panel, use glue for adhesive. Be sure to remove any excess glue before it dries.

### Handling Precautions

- Tempered glass is used for the glass doors for providing sufficient strength. However, pay attention not to apply excessive force or to scratch the doors. Cracking or breaking of the glass may occur.
- When moving the cabinet, remove all the components from the rack before carrying the cabinet. Also do not grasp the top shelf when carrying.
- To allow heat radiation from the components, leave a space of 4 inches between the cabinet and wall.
- Do not place the cabinet in a location subject to direct sunlight or near a heater, an air-conditioner, or a place with high humidity.

## IMPORTANT SAFEGUARDS

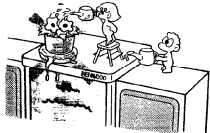
**Caution:** Read this page carefully to keep your safety.

Please read all of the safety and operating instructions before operating this unit. For best results, follow all warnings placed on the unit and adhere to the operating and use instructions. These safety and operating instructions should be retained for future reference.

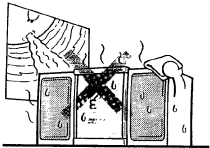
- 1. Suffocation** — After taking the unit out of the polyethylene bag, be sure to dispose of the polyethylene bag out of the reach of children. Otherwise, they may play with the bag, which could cause hazard of suffocation.



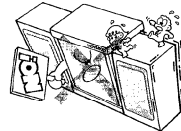
- 2. Water and moisture** — Do not place a liquid container, such as a vase and water basin, on the unit. Also avoid installing the unit in a place subject to dampness.



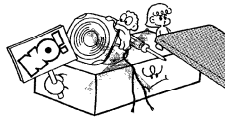
- 3. Heat** — Do not install the unit near a source of heat, such as a heater, or under direct sunlight.



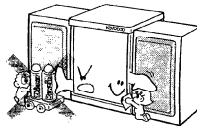
- 4. Impact** — Avoid placing the unit on an unstable surface. Install it on a horizontal surface not subject to excessive dirt or vibrations.



- 5. Modification** — Do not attempt to open or modify the unit, for this could cause fire hazard or malfunction.



- 6. Cleaning** — Do not use thinner, benzine or alcohol. When cleaning the unit, wipe with a soft, dry cloth.



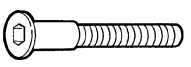



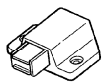
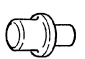

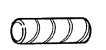
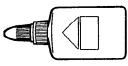
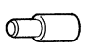
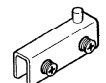
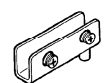
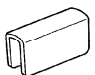

- 7. Abnormal smell** — In the event the unit generates smoke or abnormal smell, immediately switch the power OFF and unplug the power cord. After this, please contact your dealer or nearest service station as soon as possible.

### POWER OFF!



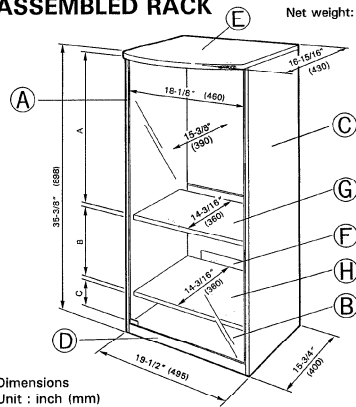
PARTS LIST MODEL SRC-402 © /442 ©

ASSEMBLY INSTRUCTIONS

Item	Description	Q.T.Y.	Part No.
I		4	SRC-402 © S0033
			SRC-442 © S0035
J		8	S0034
K		1	M0018
L		2	P0054
M		1	P0011
N		4	P0053
O		4	G0067
P		9	W0092
Q		1	G0012
R		4	B0015
S		1	M0026
T		1	M0027
U		1	M0011
V		1	G0047
W	Glass Door	1	G0205

ASSEMBLED RACK

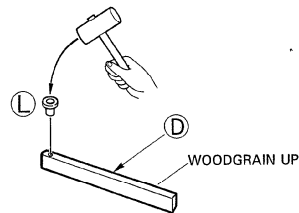
Net weight: 47.4 lbs.  
(21.5 kg)



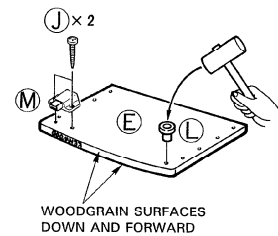
Dimensions  
Unit : inch (mm)

	1	2	3
A	14-7/8\" (378)	17-1/4\" (438)	19-5/8\" (498)
B	12-1/2\" (318)	5-7/16\" (138)	7-13/16\" (198)
C	4-1/8\" (104)	8-13/16\" (224)	4-1/8\" (104)

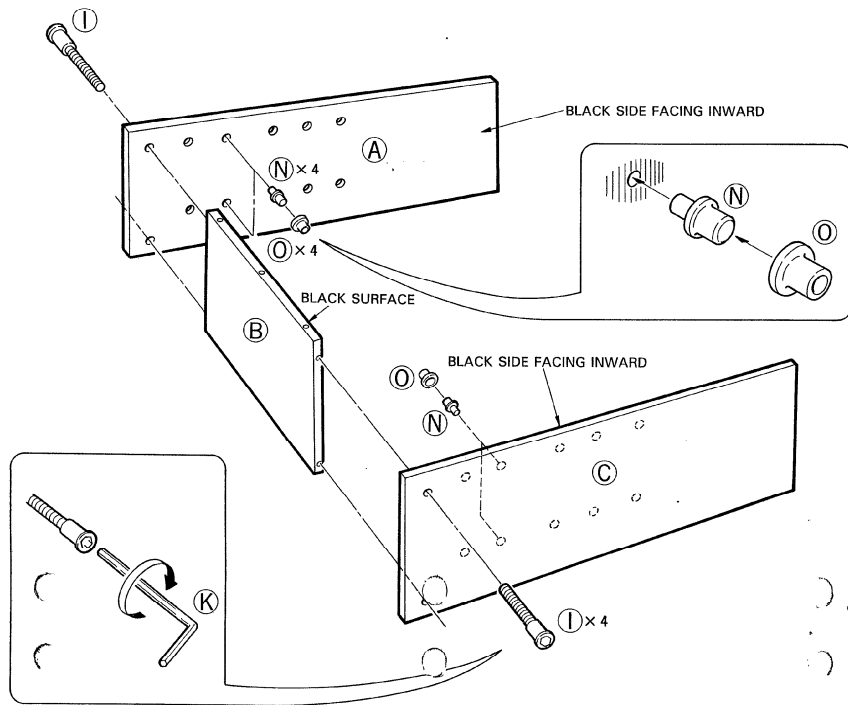
STEP 1



STEP 2

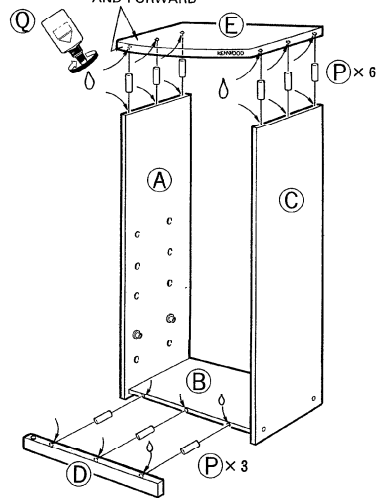


### STEP 3

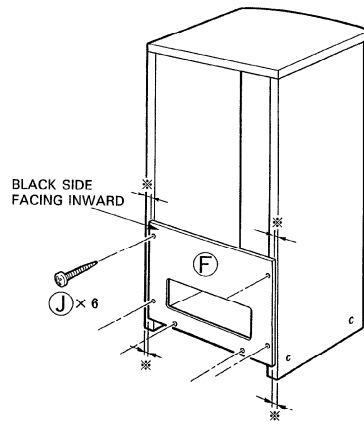


### STEP 4

WOODGRAIN SURFACES UP AND FORWARD



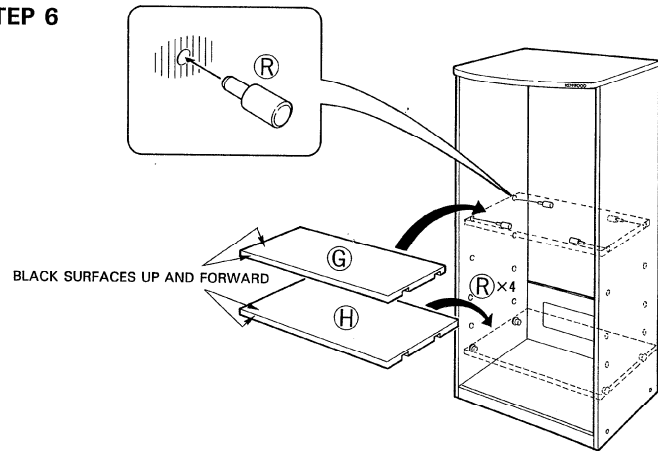
### STEP 5



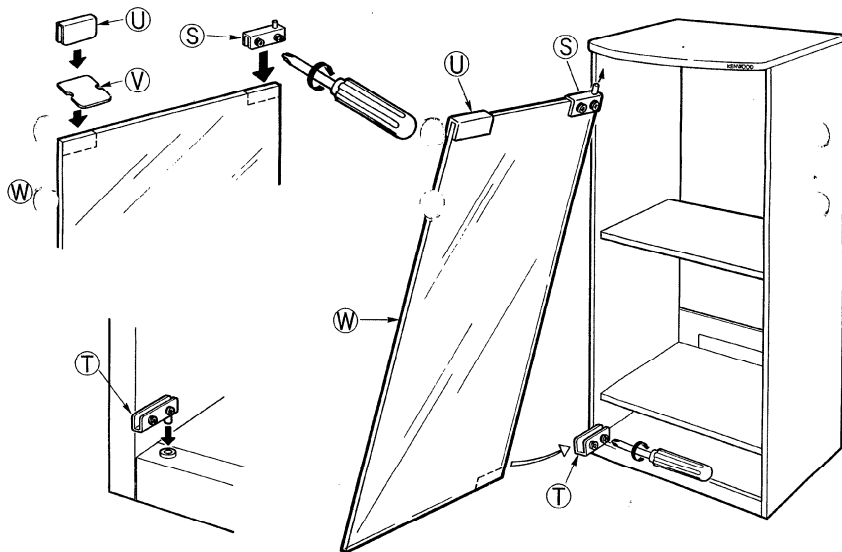
CONTINUED NEXT PAGE

# ASSEMBLY INSTRUCTIONS

## STEP 6



## STEP 7



MODEL: SRC-402 © /442 ©

ITEM	DESCRIPTION	QTY	PART NO.		ITEM	DESCRIPTION	QTY	PART NO.
			SRC-402®	SRC-442®				
A	LEFT SIDE PANEL	1	XW0501	XW0514	M	MAGNET CATCH	1	P0011
B	BOTTOM BOARD	1	XW0400	XW0400	N	SHELF PIN	4	P0053
C	RIGHT SIDE PANEL	1	XW0500	XW0513	O	RUBBER SPACER	4	G0067
D	KICK PLATE	1	XW0502	XW0515	P	WOOD DOWEL	8	W0092
E	TOP BOARD	1	XW0499	XW0512	Q	GLUE	1	G0012
F	BACK BOARD	1	XW0493	XW0493	R	SHELF PIN	4	B0015
G	SHELF A	1	XW0398	XW0398	S	UPPER HINGE	1	M0026
H	SHELF B	1	XW0399	XW0399	T	LOWER HINGE	1	M0027
I	CONFIRMAT SCREW	4	S0033	S0035	U	CATCH PLATE	1	M0011
J	SCREW	8	S0034	S0034	V	CATCH PLATE PAD	1	G0047
K	ALLEN WRENCH	1	M0018	M0018	W	GLASS DOOR	1	G0205
L	HINGE INSERT	2	P0054	P0054				

If any parts are MISSING or DAMAGED in this package, circle the item(s) needed on the parts list. Print your name, address, and phone number in the area to the left and mail to:

TOCABIAMERICA,  
9375 Custom House  
Plaza Road, Suite I  
San Ysidro, CA 92173,  
or call (619)-661-6136.

## Free Manuals Download Website

<http://myh66.com>

<http://usermanuals.us>

<http://www.somanuals.com>

<http://www.4manuals.cc>

<http://www.manual-lib.com>

<http://www.404manual.com>

<http://www.luxmanual.com>

<http://aubethermostatmanual.com>

Golf course search by state

<http://golfingnear.com>

Email search by domain

<http://emailbydomain.com>

Auto manuals search

<http://auto.somanuals.com>

TV manuals search

<http://tv.somanuals.com>