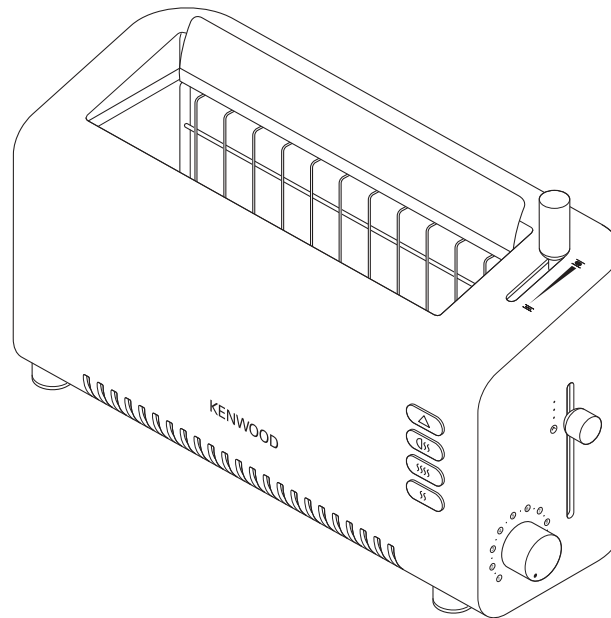
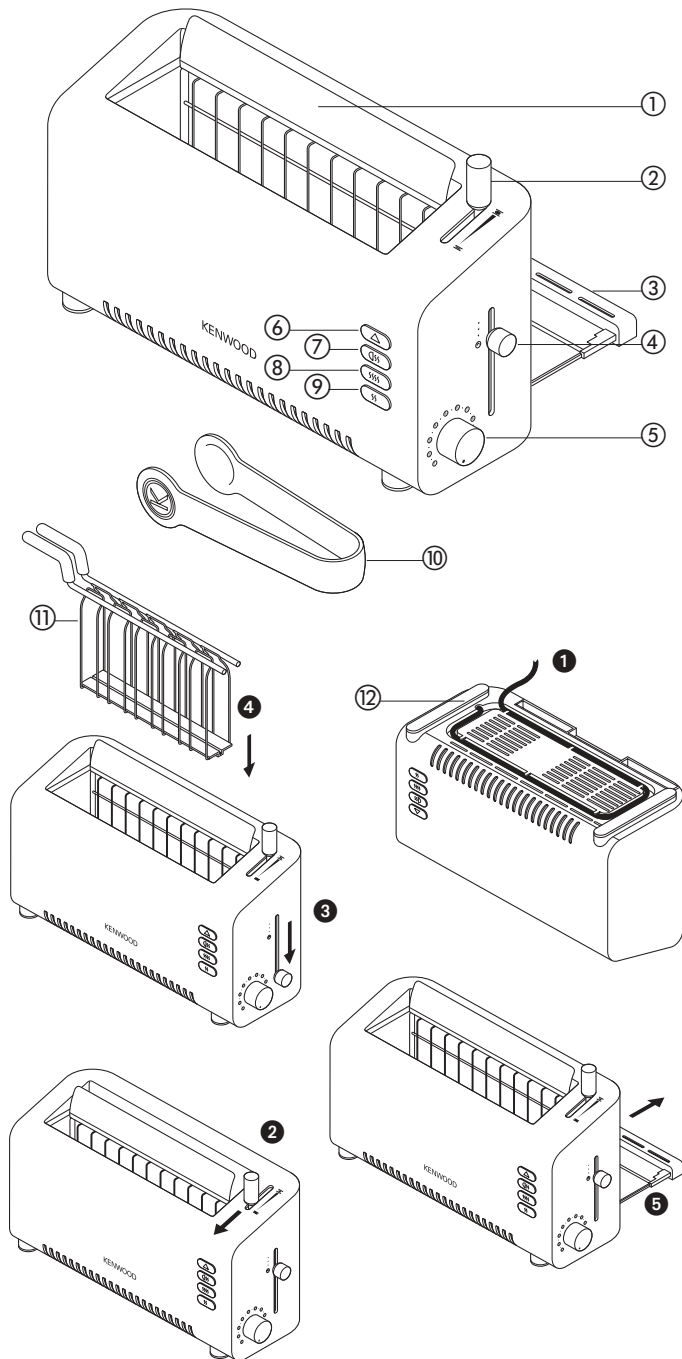


# KENWOOD



## TTM310 series





### before using your Kenwood appliance

- Read these instructions carefully and retain for future reference.
- Remove all packaging and any labels.

### safety

- Burnt food can catch fire, so:
  - never leave your toaster on unattended;
  - keep your toaster away from anything (eg curtains) that could catch fire;
  - set the browning control lower for thin or dry bread;
  - never warm food with a topping eg pizza: if it drips into the toaster, it could catch fire. If warming food items with a filling always use the sandwich cage and follow the instructions provided.
  - Clean the removable crumb tray regularly: crumbs can smoke or burn. Pay particular attention to cleaning melted cheese and other ingredients from sandwiches etc that may fall onto the crumb tray.
- Sandwich fillings could melt and drip into the toaster. Take care as it could catch fire.
- To avoid electric shocks, **never:**
  - let the toaster, cord or plug get wet; or
  - put **your hand** or anything metal, other than the sandwich cage, into the toaster.
- Always unplug the toaster when not in use, before cleaning or attempting to clear any jammed sandwich cage/food.
- Never cover your toaster with a plate or anything else - it could overheat and catch fire.
- Never let the cord hang down where a child could grab it.
- We recommend that you do not use your toaster directly under wall cupboards.
- Do not move the toaster whilst it is in operation.

- Never touch hot surfaces especially the metal top area and the sandwich cage.

### CAUTION: The fascia panel does get particularly hot during use.

- Never use an unauthorised attachment or accessory.
- Do not force food items into the toaster as difficulty may be experienced in removing them. Never insert broken pieces of bread.
- Never use a damaged toaster. Get it checked or repaired: see 'Service'.
- Select the appropriate power level for the food item being toasted. See the 'hints & tips on using your toaster' table.
- This toaster will not cook raw meat or fish.
- Thoroughly cook or re-heat ingredients such as meat or fish prior to adding them to the food item and ensure all ingredients are piping hot throughout before serving. Do not re-heat ingredients more than once.
- This appliance is not intended to be operated by means of external timer or separate remote-control system.
- This appliance is not intended for use by persons (including children) with reduced physical, sensory or mental capabilities, or lack of experience and knowledge, unless they have been given supervision or instruction concerning use of the appliance by a person responsible for their safety.
- Children should be supervised to ensure that they do not play with the appliance.
- Only use the appliance for its intended domestic use. Kenwood will not accept any liability if the appliance is subject to improper use, or failure to comply with these instructions.

### before plugging in

- Make sure your electricity supply is the same as the one shown on the underside of your toaster.
- This appliance complies with European Economic Community Directive 89/336/EEC.

### Important – UK only

- The wires in the cord are coloured as follows:  
Green and Yellow = Earth,  
Blue = Neutral,  
Brown = Live.
- The appliance must be protected by a 13A approved (BS1362) fuse.
- **WARNING: THIS APPLIANCE MUST BE EARTHED.**

### Note:

- For non-rewireable plugs the fuse cover **MUST** be refitted when replacing the fuse. If the fuse cover is lost then the plug must not be used until a replacement can be obtained. The correct fuse cover is identified by colour and a replacement may be obtained from your Kenwood Authorised Repairer (see Service).
- If a non-rewireable plug is cut off it must be DESTROYED IMMEDIATELY. An electric shock hazard may arise if an unwanted non-rewireable plug is inadvertently inserted into a 13A socket outlet.

### before using for the first time

- 1 Clip excess cord into the cord storage clips in the base ①.
- 2 Set the browning control to setting 5 and operate the toaster once on high power without bread. Repeat for low power.  
Note: this will take longer on low power.
- As with all new heating elements, your toaster may emit a slight burning smell when it is first switched on. This is normal and not a cause for concern.

- 3 Wash the sandwich cage and tongs with hot soapy water, then dry thoroughly.

### key

- ① fascia panel
- ② adjustable slot lever
- ③ large removable crumb tray
- ④ Peek & View™ carriage lever
- ⑤ browning control
- ⑥ cancel button with indicator light
- ⑦ **button with indicator light for toasting one side only eg bagels**
- ⑧ high power button with indicator light
- ⑨ low power button with indicator light
- ⑩ tongs
- ⑪ sandwich cage
- ⑫ cord storage

### to use your toaster

Note: All filled food items such as sandwiches should be toasted using the sandwich cage see 'to toast food items using the sandwich cage'.

- 1 Plug the toaster into the power supply, an audible beep will be heard.
- 2 Adjust the slot width to suit the food item ②. **CAUTION: Take care not to touch the fascia panel, it may be hot.**
- 3 Insert the bread, muffins, bagels, croissants etc. Do not force food items into the toaster.
- 4 Lower the carriage lever ③.
- 5 Move the browning control to the desired setting. Use a low browning control setting for light toasting and for thin or dry bread.
- 6 Select the desired button (i.e. high power, low power or bagel). The selected button and cancel button lights will illuminate, an audible beep will be heard and toasting will begin.

- To toast bagels the cut face should be facing the front of the toaster.
  - Note: when toasting using the bagel button, the front element will toast with a higher heat than the element at the back of the toaster. **This will result in only one side of the item being toasted.**
  - You can use the carriage lever to lift the food item to Peek & View™ at any time without cancelling.
- 7 To stop toasting at any stage, press the cancel button. The toaster will emit an audible beep to indicate toasting is cancelled and the button lights will go out.
  - 8 When toasting is nearly finished the toaster will emit an audible beep and after a slight delay the button lights will go out and the toasting will stop. The food item will **NOT** pop up.
  - 9 Use the carriage lever to raise the food item.
  - 10 After use, unplug the toaster.

## using the tongs

- Unplug the toaster, use the carriage lever to raise the food item and use the tongs to assist with the removal of particularly small items such as scotch pancakes or crumpets.
- CAUTION: Avoid touching the metal parts with the tongs.**

## to toast food items using the sandwich cage

- **Thoroughly cook or re-heat ingredients such as meat or fish prior to adding them to the food item and ensure all ingredients are piping hot throughout before serving. Do not re-heat ingredients more than once.**
- **Do not leave hot ingredients to cool before toasting the food item.**

- **Ensure all ingredients particularly meat or fish are fresh and used within use-by dates.**
  - **Use other vegetable ingredients at room temperature to avoid them chilling the hot cooked ingredients.**
- When cutting your paninis or ciabattas etc do not cut all the way through, instead leave the bottom side uncut so that it prevents melted cheese from dripping into the toaster.
  - Cut ingredients thinly - do not use large chunks.
  - Take care when using ingredients that could melt and run out of the food item. We do not recommend the use of high fat or similar fillings that may drip into the toaster as this will be difficult to clean.
  - Lightly butter the outside surface of sandwiches and place the filling in between the unbuttered sides. This helps prevent the outside from burning. Do not use low fat spreads, which are not suitable for toasting.
  - Ensure the food item is evenly filled.
  - Always use food items that are a suitable size for the sandwich cage. Do not force food items into the toaster.
- 1 Plug the toaster into the power supply, an audible beep will be heard.
  - 2 Place the food item in the sandwich cage and close.
  - 3 Adjust the slot width to suit the sandwich cage **2**. **CAUTION: Take care not to touch the fascia panel, it may be hot.**
  - 4 Lower the carriage lever **3** and place the sandwich cage into the slot **4** with the handle pointing to the opposite end to the controls.
  - 5 Move the browning control to the desired setting.
  - 6 Select the desired button (i.e. low power). The selected button and cancel button lights will illuminate, an audible beep will be heard and toasting will begin.

- In order to monitor the progress of the toasting, the sandwich cage can be lifted up without cancelling.
  - 7 To stop toasting at any stage, press the cancel button. The toaster will emit an audible beep to indicate toasting is cancelled and the button lights will go out.
  - 8 When toasting is nearly finished the toaster will emit an audible beep and after a slight delay the button lights will go out and the toasting will stop. The food item will **NOT** pop up.
  - 9 Leave the toasted food item to stand for 1 minute inside the toaster before serving.
  - 10 Remove the sandwich cage then open it up and tip the food item onto a plate.
  - 11 After using, unplug the toaster.
- CAUTION:**
- **The sandwich cage will be very hot, ensure it is placed on a heat resistant surface and take care when handling.**
  - **Ensure ingredients are piping hot throughout before serving.**
  - **Take care when biting into the food items as the fillings can be very hot.**

## hints & tips on using your toaster

These are recommendations only. After a short period of use, experience will teach you which setting is the right one for your needs. It is advisable to initially start off with a lower setting until you become familiar with the toaster.

power level	food item examples	setting range recommended
Bagel ☐☐☐ <b>For toasting one side only</b>	<ul style="list-style-type: none"> <li>● Bagels</li> <li>● Crumpets</li> <li>● Hot cross buns</li> <li>● Teacakes</li> </ul>	4-6 6-8 3-5 3-5
High ☐☐☐☐	<ul style="list-style-type: none"> <li>● Pre-sliced shop bought bread</li> <li>● Toasting waffles</li> </ul>	4-6 4-6
Low ☐☐	<ul style="list-style-type: none"> <li>● Filled half size ciabattas</li> <li>● Pains au chocolat</li> <li>● Unsliced bread</li> <li>● Scotch pancakes</li> <li>● Filled croissants</li> <li>● Filled sandwiches</li> </ul>	9-10 3-5 4-6 2-4 4-6 6-8

### hints & tips:

- Don't make the slot width too narrow or close the sandwich cage too tightly and squash the food item.
- Slices should be cleanly cut and not have ragged edges.
- For frozen bread use a browning control setting higher than you would normally use for the type of bread.
- Cut ingredients thinly - do not use large chunks.
- Dry/stale bread toasts more quickly than fresh bread and thinly sliced bread toasts more quickly than thickly sliced bread. Therefore the browning control should be set at a lower setting than usual.
- For best results ensure that the bread slices are of an even thickness, freshness and size.
- In order to achieve uniform browning, we recommend you wait a minimum of 30 seconds between each toasting so that the control can automatically reset. Alternatively select a lower browning control setting when additional toasting is carried out.

### food safety:

- **Thoroughly cook or re-heat ingredients such as meat or fish prior to adding them to the food item and ensure all ingredients are piping hot throughout before serving. Do not re-heat ingredients more than once.**
- **Do not leave hot ingredients to cool before toasting the food item.**
- **Ensure all ingredients particularly meat or fish are fresh and used within use-by dates.**
- **Use other vegetable ingredients at room temperature to avoid them chilling the hot cooked ingredients.**

## care and cleaning

- 1 Before cleaning, unplug your toaster and let it cool down. Allow the sandwich cage and tongs to cool down completely before cleaning.
  - 2 Wash the sandwich cage and tongs with hot soapy water, then dry thoroughly.
  - 3 Slide out the crumb tray **5**. Clean, then replace. Do this regularly: crumbs can smoke or even burn. Pay particular attention to cleaning melted cheese and other ingredients from sandwiches etc that may fall onto the crumb tray.
  - 4 Wipe the outside of the toaster with a damp cloth, then dry.
- Do not wash any part in the dishwasher.

## service

- If the cord is damaged it must, for safety reasons, be replaced by KENWOOD or an authorised KENWOOD repairer.  
If you need help with:
  - using your toaster or
  - servicing or repairs (in or out of guarantee)
- ☎ call Kenwood customer care on **023 9239 2333. Have your model number ready** - it's on the underside of your toaster.
- **spares and attachments**
- ☎ call 0870 2413653.
- **other countries**
- Contact the shop where you bought your toaster.



### **IMPORTANT INFORMATION FOR CORRECT DISPOSAL OF THE PRODUCT IN ACCORDANCE WITH EC DIRECTIVE 2002/96/EC.**

At the end of its working life, the product must not be disposed of as urban waste.

It must be taken to a special local authority differentiated waste collection centre or to a dealer providing this service.

Disposing of a household appliance separately avoids possible negative consequences for the environment and health deriving from inappropriate disposal and enables the constituent materials to be recovered to obtain significant savings in energy and resources. As a reminder of the need to dispose of household appliances separately, the product is marked with a crossed-out wheeled dustbin.

### **guarantee (UK only)**

If your toaster goes wrong within one year from the date you bought it, we will repair or replace it free of charge provided:

- you have not misused, neglected or damaged it;
- it has not been modified (unless by Kenwood);
- it is not second-hand;
- it has not been used commercially;
- you have not fitted a plug incorrectly; and
- **you supply your receipt to show when you bought it.**

This guarantee does not affect your statutory rights.

## Free Manuals Download Website

<http://myh66.com>

<http://usermanuals.us>

<http://www.somanuals.com>

<http://www.4manuals.cc>

<http://www.manual-lib.com>

<http://www.404manual.com>

<http://www.luxmanual.com>

<http://aubethermostatmanual.com>

Golf course search by state

<http://golfingnear.com>

Email search by domain

<http://emailbydomain.com>

Auto manuals search

<http://auto.somanuals.com>

TV manuals search

<http://tv.somanuals.com>