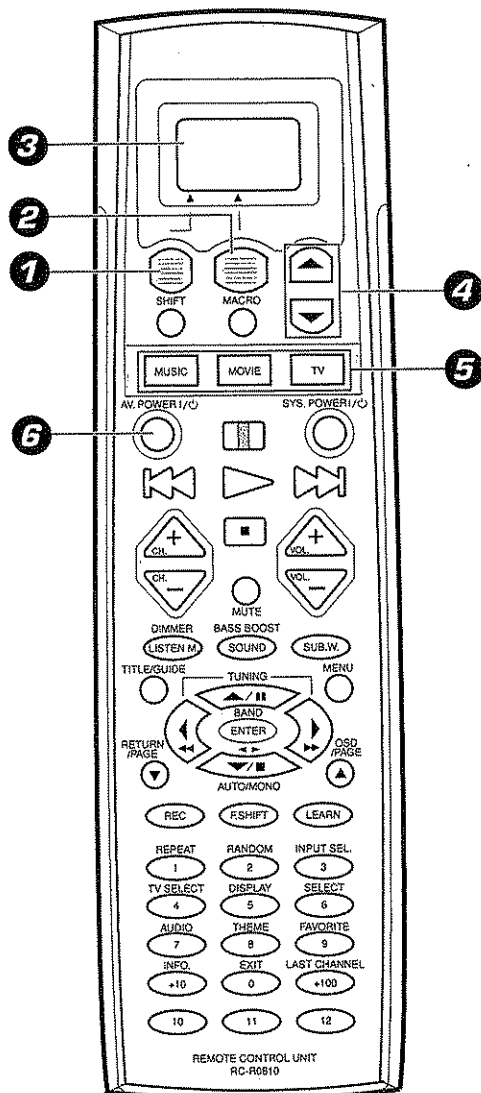


KENWOOD

Remote Control Instruction Manual Preset Remote Control Quick Start Guide

The remote control sends an RF (radio wave) signal to the receiver. For equipment other than the receiver, an IR (infrared) signal is sent. For the operation of the RF remote function, see page 14 and 15 of the instruction of the unit.

Quick start guide	1
Getting the most from your remote control	3
Remote operation of other components	11
In case of difficulty	14



This quick start guide explains how to setup the remote control to operate audio and video components other than the receiver.

In order to make full use of the functions of the remote control, be sure to read the section of this manual entitled "Getting the most from your remote control". It contains a detailed explanation of how to operate the remote control and make the necessary settings. The quick start guide describes the operation of the following keys:

- ① **Display operation 1 key**
Use this key to go back to the previous display or initial display.
- ② **Display operation 2 key**
Gets you into and out of the preset code registration mode.
- ③ **Display**
The information for setup is displayed.
- ④ **▲/▼keys**
Use these keys to select the source or setup code.
- ⑤ **MUSIC, MOVIE, and TV keys**
Use these keys to select the input you want to register.
- ⑥ **AV.POWER I/O key**
Once you have entered the setup code for another component, you can press this key to turn power to that component on or off. This lets you confirm that you entered the code properly.

B60-4608-00 01 (MA) (K, P) 9911 (VR410)

Register the setup codes for your audio and video components

Step 1

Video1:
UCR
Menu

Press the **display operation 1** key repeatedly until "Menu" appears in the display.



For step 1 through step 9, make sure you start the next step within 8 seconds of completing the previous one. If more than 8 seconds elapses between any two steps, press the display operation key so that the display appears.

Step 2

»01. IR
02. Surround
Home Enter

Press the **display operation 2 [Menu]** key repeatedly until "01. IR" appears in the display.

Step 3

»01. IR
02. Surround
Back Enter

Press the **▲/▼** keys to select "01. IR", then press the **display operation 2 [Enter]** key.

Step 4

»03. Video1
04. Video2
Back Enter

Press the **▲/▼** keys to select the input that you want to register, then press the **display operation 2 [Enter]** key.

Step 5

»05. UCR
06. Cable
Back Enter

Press the **▲/▼** keys to select the component that you want to register, then press the **display operation 2 [Enter]** key.

Step 6

»Kenwood
Aiwa
Back Enter

Press the **▲/▼** keys to select the maker of the component that you want to register, then press the **display operation 2 [Enter]** key.

Step 7

»01:0056
02:Nothing
Back Enter

Press the **▲/▼** keys to select the setup code.

Step 8

AV.POWER I/O



Press the **AV.POWER I/O** key to see if you can turn the component on and off.

If your component has a mechanical POWER switch that cannot be operated by remote control unit, press the **display operation 2 [Enter]** key and **display operation 1 [Home]** key, and select the component by pressing the **MUSIC, MOVIE, or TV** key, then press the **PLAY (▷)** key or **TUNING (◀▶)** key to test it.

If the component does not respond when you try to control it, return to step 7 and enter the next setup code on the list. Repeat this procedure until you find the code that matches the component. When the component does not respond, select "Nothing."

Step 9

»01. IR
02. Surround
Home Enter

Press the **display operation 2 [Enter]** key to store the code.

Repeat steps 3 through 9 to enter the codes for each component you want to control.

Press the **display operation 1** key repeatedly until "Menu" appears in the display.

If you accidentally exit the registration mode by pressing the wrong key, you will not lose any setup codes you have already saved.

Automatic input naming

In the initial factory setting, the remote control already has provisional component names registered for each input. Before you register setup codes, pressing the input keys of the remote control causes the display to change from the factory preset input names of the receiver (VIDEO1, VIDEO2, etc.) to the input names registered in the remote control (VCR1, VCR2, etc.). Once you have registered the appropriate setup codes for your components, pressing the input keys of the remote control causes the display to change to the actually connected component names (LD, DVD, etc.) for which you have registered setup codes.

Getting the most from your remote control

The remote control supplied with this receiver is also capable of controlling components from a variety of manufacturers once you register the appropriate setup codes into the remote control unit.

Refer to "Remote operation of other components" for details about the operations available for each component.

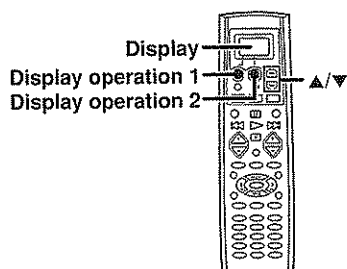
— 11

Low battery warning

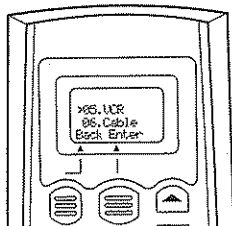
Replace all four batteries with new ones when you notice a shortening of the distance from which the remote control will operate. The remote control is designed to retain setup codes in memory while you change batteries.

How to use the display operation keys

To register the setup code, use the **display operation 1** key, **display operation 2** key, or **▲/▼** keys.



The **display operation 1** key and **display operation 2** key work as the function key displayed in the display above.



The display operation 1 key

- **[Back]**
Go back to the previous display.
- **[Home]**
Go back to the initial display.
- **[Clr]**
Erase the internal memory.

The display operation 2 key

- **[Enter]**
Enter the selected item.
- **[Menu]**
Display the menu.
- **[Setup]**
Go to the setup display.
- **[Exit]**
Exit from the current operation.
- **[Set]**
Select the item.

When the display goes off

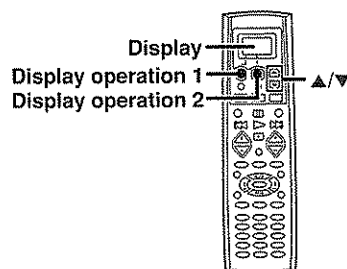
The display goes off automatically when you do not operate for more than 8 seconds. In this case, press the **display operation 1** key, **display operation 2** key, or **▲/▼** keys.

When you are confused about what's being displayed

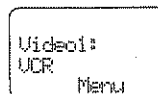
Press the **display operation 1** key repeatedly until "Menu" appears in the display.
The display returns to the initial display.

Registering setup codes for other components

3



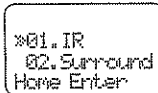
- 1** Press the **display operation 1** key repeatedly until "Menu" appears in the display.



For step **1** through step **2**, make sure you start the next step within 8 seconds of completing the previous one. If more than 8 seconds elapses between any two steps, press the display operation keys so that the display appears.

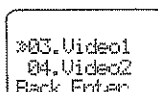
- 2** Press the **display operation 2 [Menu]** key repeatedly until "01. IR" appears in the display.

- The setup display appears.



- 3** Press the **▲/▼** keys to select "01. IR," then press the **display operation 2 [Enter]** key.

- The input selecting display appears.



- At this time all inputs become available regardless of any earlier registration.

- 4** Press the **▲/▼** keys to select the input that you want to register.

- Each time you press the **▲/▼** key, the input changes as follows:

- 01: CD/DVD
- 02: MD/Tape
- 03: Video1
- 04: Video2
- 05: Video3
- 06: DVD
- 07: TV1
- 08: TV2
- 09: Cable
- 10: Phono

- Example: To select the source connected the VIDEO1 jack, select "Video1".

Continued to next page

4 **5** Press the display operation 2 [Enter] key.

- The source selecting display appears.
- When you select "Phone" in step 3, go to step 7.

```
*05. VCR
06. Cable
Back Enter
```

6 Press the ▲/▼ keys to select the source you want to register.

- Each time you press the ▲/▼ key, the input changes as follows:

```
01: CD
02: Tape
03: MD
04: CD-R
05: VCR
06: Cable
07: Satellit
08: TV
09: LD
10: DVD
11: DSS (U.S.A only)
12: No type
13: Delete
```

- Select "No type" when the desired source does not appear in the display.
- The selected input does not appear when you select "Delete."

7 Press the display operation 2 [Enter] key.

- The maker selecting display appears.

For Europe and U.K

```
*Kenwood
Aiwa
Back Enter
```

For other countries

```
*Kenwood
Admiral
Back Enter
```

8 Press the ▲/▼ keys to select the maker you want to register.

- Press the ▲/▼ keys until the desired maker appears in the display. When the desired maker does not appear, select "Nothing."

9 Press the display operation 2 [Enter] key.

- The setup code selecting display appears.

```
*01: 0056
02: Nothing
Back Enter
```

10 Press the ▲/▼ keys to select the setup code.

11 Press the AV. POWER 1/⏻ key, and check to see that the component you want to control turns on.

If the component does not react, and there is more than one setup code, enter another setup code and try again.

- ▷ or TUNING key can also be used instead of the AV. POWER 1/⏻ key.
- If the component is already on, pressing the AV. POWER 1/⏻ key will turn it off.

12 Press the display operation 2 [Enter] key.

- The display returns to the setup display.

```
*01. IR
02. Surround
Home Enter
```

Repeat steps 5 to 12 to register additional components until all components have been registered.

To return to the initial display, press [Back] repeatedly until "Menu" appears in the display.

```
Videol:
VCR
Menu
```

- Once registered, the display on the receiver shows the component type instead of the default input name. Example: if you register a VCR at the VIDEO 1 jacks, "Videol" and "VCR" appear in the display.
- Any VIDEO or TV (TV1, TV2, CABLE) inputs that have not been programmed with a setup code or Non-IR code are deleted from the cyclic list.

When you mistake

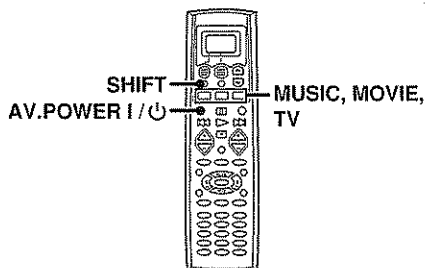
Press the display operation 1 [Back] key repeatedly until the display you want to re-operate appears.

Note

Although each setup code is designed to work with a number of different models, certain codes may not work with some models. (Also, certain codes may only operate some of the functions available on a given model.)

Operating other components

This operation lets you operate the registered components. KENWOOD audio components with system control turn on and off automatically with the receiver via the system control connections.

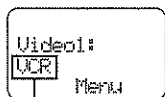


During operation, make sure you start the next step within 8 seconds of completing the previous one. If more than 8 seconds elapses between any two steps, press the display operation key so that the display appears.

1 Use the MUSIC, MOVIE, or TV key to select the component you desire.

Pressing the MUSIC or MOVIE key also changes the input selector on the receiver. If you do not want to change the current input, press the SHIFT key before step 2.

<p>MUSIC key</p> <ul style="list-style-type: none"> ① CD/DVD ② TAPE or MD ③ Tuner ④ PHONO 	<p>MOVIE key</p> <ul style="list-style-type: none"> ① Video1 ② Video2 ③ Video3 ④ DVD 6CH ⑤ AV AUX 	<p>TV key</p> <ul style="list-style-type: none"> ① TV1 ② TV2 ③ CABLE
--	---	--



Select source

You cannot select the source that is not registered.

2 Press the AV. POWER I/O key.

The selected component turns on or off.

3 Press the operation keys you desire.

See "Remote operation of other components" at the end of this manual for a list of keys available with each component.

RC-11

The remote control mode remains in the set at the component selected in step 1 mode until you select another component.

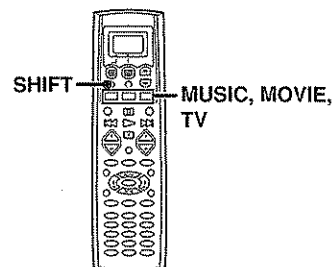
Note

Be sure to point the remote control at the remote sensor on the receiver when you want to operate KENWOOD components connected by system control cords. Otherwise, point the remote control at the component you want to operate.

Changing (confirming) the operation mode

This operation lets you change the remote control operation mode without changing the input selector.

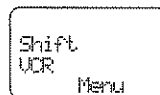
You may find this useful when you want to control one component while using another. (For example, if you want to rewind the tape deck while listening to a CD.)



During operation, make sure you start the next step within 8 seconds of completing the previous one. If more than 8 seconds elapses between any two steps, press the display operation key so that the display appears.

1 Press the SHIFT key.

"Shift" appears in the display.



To operate a TV, start from step 2.

2 Press the MUSIC, MOVIE, or TV key repeatedly to display the remote control mode for the component you want to control.

Press the MUSIC, MOVIE, or TV key until the desired source appears.



The component to be controlled

- Pressing any other keys after the SHIFT key cancels the shift function and sends the normal code associated with the respective key.
- The input selector does not change during this operation.
- If you press MUSIC or MOVIE key more than 3 seconds after pressing the SHIFT key, the input selector changes together with the operation mode.

3 Execute the desired operations.

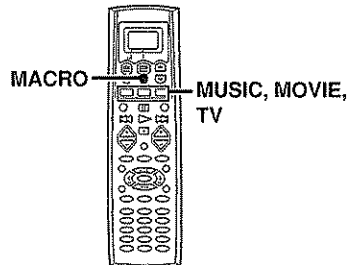
See "Remote operation of other components" for a list of keys available with each component. RC-11

The operation mode remains set at the component specified in step 2.

To return control to the original component, press SHIFT and then press the MUSIC or MOVIE key to return to the original control mode.

6 Preparing for automatic operations (MACRO play)

The macro play function allows you to set the remote to control several components in succession. After completing this setup, you can perform a series of operations automatically. Enter the setup codes for the components you want to control beforehand.



During operation, make sure you start the next step within 8 seconds of completing the previous one. If more than 8 seconds elapses between any two steps, the remote control unit exits from the MACRO play mode.

1 Make a plan of the macro play you want to Setup.

The order of the operations may be fairly complex and you may not be remember all of the necessary commands during the setup procedure.

Use the space provided below to write down the operations in the order you are going to enter them.

- Up to 20 steps can be memorized for each macro.

1		11	
2		12	
3		13	
4		14	
5		15	
6		16	
7		17	
8		18	
9		19	
10		20	

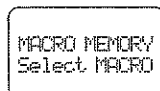
- The example below shows the plan for step 1 (which occupies a total of 6 steps) :

① TV + AV. POWER	2 steps
② FUNCTION SHIFT + 3	2 steps
③ MOVIE	1 steps
④ AV. POWER	1 steps
Total	6 steps

- If you attempt to store more than 20 steps, "Full" appears and exit the macro programming mode.
- Enter channel numbers (for the monitor TV, etc.) exactly as you would using the original remote.
- When you select the input by using the **MUSIC**, **MOVIE**, or **TV** key, it is count 1 step even if you press these keys several times.

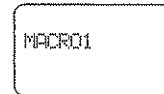
2 Press and hold the MACRO key for more than 2 seconds.

- "MACRO MEMORY" appears in the display.



3 Press the MUSIC, MOVIE, or TV key to select the macro location. (MACRO1, 2, and 3 respectively)

- You can store up to 3 different macros, one at each key: **MOVIE** → "MACRO 1", **MUSIC** → "MACRO 2", **TV** → "MACRO 3"
- The light flashes once when you select the macro location.
- Pressing a key other than **MUSIC**, **MOVIE**, or **TV** cancels the macro program mode.



When **MOVIE** is pressed

4 Press the keys to be operated in order.

EXAMPLE:

This example shows you how to create a macro that; turns on the TV, sets the TV to the appropriate input, selects the receiver's input selector to LD, and turns on the LD player. All you have to do is insert the laser disc!

- 1 Press the **TV** key, then press the **AV.POWER** I/O key to turn on the TV.
- 2 Press the **F. SHIFT** key, then press the "3" (**INPUT SEL.**) key to set the TV to the appropriate video input.
- 3 Press the **MOVIE** key to select the LD player registered at VIDEO 2.
- 4 Press the **AV.POWER** I/O key to turn on the LD player.

- Make sure you start the next operation within 8 seconds of completing the previous one. If more than 8 seconds elapses between any two steps, exit the macro programming mode.
- In order to allow verification of the remote control mode, the name of the selected input appears in the receiver's display when the **MUSIC**, **MOVIE**, or **TV** key is pressed. When the **MUSIC** or **MOVIE** key is pressed the receiver's input also changes.

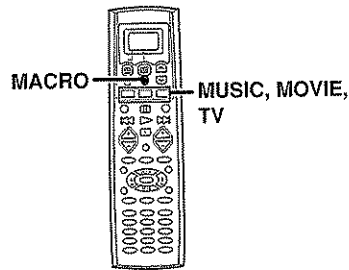
5 Press the MACRO key so that the light flashes twice.

- The macro is stored at the locations specified in step 3. If another macro was previously stored at the same location, it is erased.

Repeat steps 3 through 5 to program up to 3 macros.

This completes the macro programming procedure.

Executing an automatic operation



During operation, make sure you start the next step within 8 seconds of completing the previous one. If more than 8 seconds elapses between any two steps, press the display operation key so that the display appears.

1 Press the **MACRO** key.

- "MACRO EXE" appears in the display.

```
MACRO EXE
Select MACRO
```

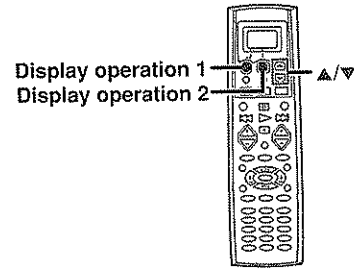
2 Press the **MUSIC**, **MOVIE**, or **TV** key to execute the corresponding macro play.

- "MACRO EXE" appears in the display and the pre-programmed macro is performed:
MUSIC → "MACRO 1", **MOVIE** → "MACRO 2", **TV** → "MACRO 3"
- Some devices take up to 1 second to power on. The macro function has an automatic delay after any power function output.
- Pressing a key other than **MUSIC**, **MOVIE**, or **TV** cancels the macro program mode.

```
MACRO1 EXE
```

When **MUSIC** is pressed

To delete the setup code



During operation, make sure you start the next step within 8 seconds of completing the previous one. If more than 8 seconds elapses between any two steps, press the display operation key so that the display appears.

1 Press the **display operation 1** key repeatedly until "Menu" appears in the display.

```
Video1:
VCR
Menu
```

2 Press the **[Menu]** key repeatedly until "01. IR" appears in the display.

- The setup display appears.

```
*01. IR
02. Surround
Home Enter
```

3 Press the **▲/▼** keys to select "01. IR," then press the **[Enter]** key.

- The input selecting display appears.

```
*03. Video1
04. Video2
Back Enter
```

4 Press the **▲/▼** keys to select the input that you want to delete, then press the **[Enter]** key.

5 Press the **▲/▼** keys to select "Delete."

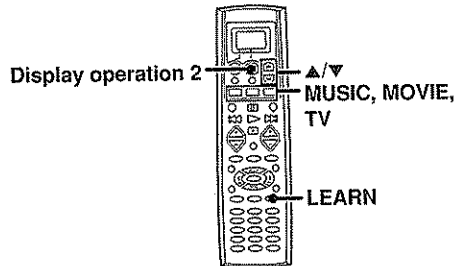
```
*13: Delete
01: CD
Back Enter
```

6 Press **[Enter]**.

- The setup code is deleted.

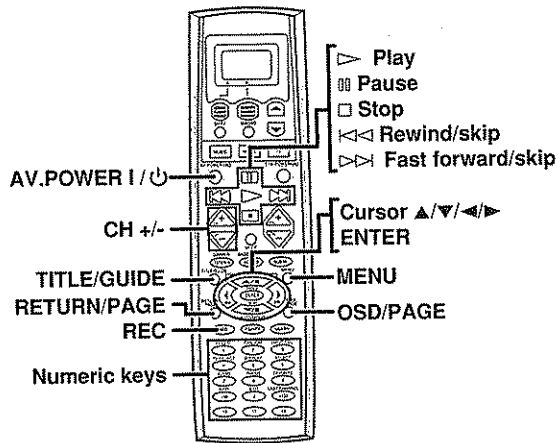
8 Storing the remote control cord of the other components

The remote control unit can store the remote control cord of the other components and you can operate the other components from the remote control unit. The remote control cord is stored on the key or memory of the remote control unit.

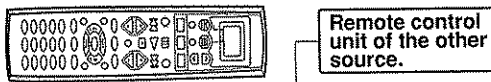


Storing on the key

You can store the remote control code to the key as shown below:

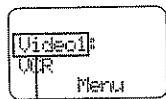


- Point the infrared ray system part of another remote control unit to the remote sensor of the remote control unit.



Infrared ray system part

- Press the MUSIC, MOVIE, or TV key to select the input of the desired remote control unit.



Selected input

- Press the LEARN key.

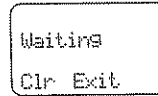
When the setup code is registered



- When the setup code is not registered, any messages do not appear.

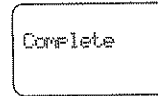
- Press the desired key of the remote control unit.

- The remote control is ready for receiving the remote control code.



- Press the key of the same operation that you want to store.

- The remote code is sent to the remote control unit.
- "Complete" appears when finished.



- When it takes for more than 5 seconds or the remote control unit does not receive the remote control code well, "Error" appears in the display. In this case, re-operate from the step ②.

- The remote control code is stored on the key of the remote control unit.

To delete the memory stored on the key

Press the [Clr] key in step ②. "Cleared" appears in the display. The memory previously stored is cleared.

To operate other components

- Press the MUSIC, MOVIE, or TV key to select desired input source.
- Press the desired key.

Storing on the memory

You can store on the remote control unit up to 5 memories.

- Point the infrared ray system part of the other remote control unit to the remote sensor of the remote control unit.



Infrared ray system part

- Press the MUSIC, MOVIE, or TV key to select the input of the desired remote control unit.



Selected input

- Press the LEARN key.

- The Extend selecting display appears.

When the setup code is registered



- When the setup code is not registered, any messages do not appear.

- ④ Press the ▲/▼ keys to select the location.

- Extend1 – Extend5 are available.

- ⑤ Press the [Enter] key.

- The remote control is ready for receiving the remote control code.

Waiting
Extend1
Clr Exit

- ⑥ Press the key of the same operation that you want to store.

- The remote code is send to the remote control unit.
- "Complete" appears when finished.

Complete
Extend1

- When it takes for more than 8 seconds or the remote control unit does not receive the remote control code well, "Error" appears in the display. In this case, re-operate from the step ④.
- "Full" appears when the memory is full. Re-operate from the step ④ after deleting some memories.

- ⑦ The remote control code is stored on the memory (Extend1 – Extend5) of the remote control unit.

To delete the stored memory

Press the [Clr] key in step ⑤. "Cleared" appears in the display and the memory that is selected in step ④ is erased.

To operate other components by using the stored memory

- ① Press the MUSIC, MOVIE, or TV key to select desired input source.

- The Menu display appears.

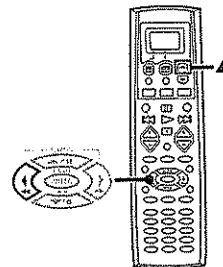
- ② Press the [Menu] key .

- ③ Press the ▲/▼ keys to select the memory you want to operate.

- ④ Press the [Enter] key.

Restoring the original factory settings

You can restore the setup codes or memories to their original default settings.



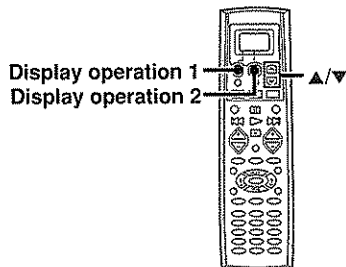
Insert the batteries during pressing and holding the [▲] keys and [▼] key.

- "Cleared" appears in the display, and the remote settings return to their original default settings.

10

Displaying the CD TEXT data

When you connect a KENWOOD CD player (CD-425M, CD-4700M, CD-4260M, DPF-J6030), you can display the CD TEXT data in the display of the remote control unit.



Before operation, register the setup code of the CD player.

1 Load the CD TEXT data to the CD player.

- 1 Press the MUSIC key to select "CD".
- 2 Press the [Menu] key repeatedly until "SetUp" appears in the display.
- 3 Press the Δ/∇ keys to select "All Read" and press the [Enter] key.
 - The loading time may take a few moments.

2 Load the CD TEXT data of the CD player to the remote control unit.

- 1 Press the MUSIC key to select "CD".
- 2 Press the [Menu] key repeatedly until "SetUp" appears in the display.
- 3 Press the Δ/∇ keys to select "Disc Title" and press the [Enter] key.
 - The remote control unit starts reading the CD TEXT data (disc titles are also read).
 - Ⓢ appears during reading.

3 Press the [Home] key.

- "Text." appears when the CD TEXT data is read.

```

CD/CDU
CD
Text Menu
  
```

- When "Text." does not appear, select "Track Title" in the "SetUp" display and press the [Enter] key.

4 Press the [Text] key.

- The display for selecting disc appears.

```

*050.D.Title
051.
Home Sel
  
```

5 Press the Δ/∇ keys to select the desired disc, then press the [Sel] key.

```

*01.T.Title
02.T.Title
Back Sel
  
```

6 Press the Δ/∇ keys to select the desired track, then press the [Sel] key.

Remote operation of other components

You can operate other components by pressing keys or using the display. The setup code for each component must be entered beforehand. RC-

When you operate by using the keys

- 1 Press the MUSIC, MOVIE, or TV key to select the component you want to control.
- 2 Press the keys corresponding to the operations you desire.

- To execute a FUNCTION SHIFT command written above the numeric keys, press the **F. SHIFT** key, then press the corresponding key.
- When pressing keys in succession, press each key firmly and be sure to wait at least 1 second before pressing the next key.

When you operate by using the display

- 1 Press the MUSIC, MOVIE, or TV key to select the component you want to control.
- 2 Press the display operation 2 [Menu] key so that the Menu display appears.
- 3 Press the Δ/∇ keys to select desired item or memory, then press the display operation 2 [Enter] key.

Notes

1. Although each setup code is designed to work with a number of different models, certain codes may not work with some models. (Also, certain codes may only operate some of the functions available on a given model.)
2. The charts below show the typical functions available for each component. Some manufacturers use different key combinations to perform similar functions.

Tuner operations

(P. CALL ∇)
 (P. CALL Δ)
BAND
AUTO/MONO
TUNING Δ
TUNING ∇
Numeric keys

Cassette deck operations

Display operation
01-05: Extend 1 - 5
 (Play A)
 (Pause A)
 (Stop A)
 (Rewind A)
 (Fast forward A)
ENTER (Play B)
 (Pause B)
 (Stop B)
 (Rewind B)
 (Fast forward B)
REC (Recording)
FUNCTION SHIFT commands
 (Reverse play A), **ENTER** (Reverse play B)


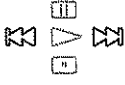

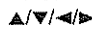
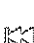

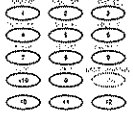

CD player operations

(Play)
 (Pause)
 (Stop)
 (Skip)
 (Skip)
 (Rewind)
 (Fast forward)
 (DISC SKIP Δ)
Numeric keys
FUNCTION SHIFT commands
REPEAT
RANDOM
DISPLAY
Display operation
01: Disc Sel
02: Set
03: P.Mode
04: Check
05: Clear
06: Disc Title
07: Track Title
08: All Read
09: Subout Monitor
10: Continuous Play
11: All Info.
12-16: Extend1-5



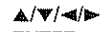
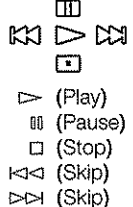
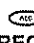
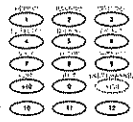



MD recorder operations

(Play)
 (Pause)
 (Stop)
 (Skip)
 (Skip)
 (Rewind)
 (Fast forward)
REC (Recording)
Numeric keys
FUNCTION SHIFT commands
REPEAT
RANDOM
DISPLAY
Display operation
01-05: Extend1-5





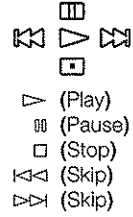
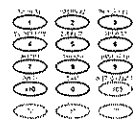

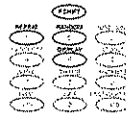
TV operations

 CHANNEL + CHANNEL -  VOLUME + VOLUME -	 Cursor  ENTER   (Mute)	 Numeric keys	 FUNCTION SHIFT commands INPUT SEL. TV SELECT AUDIO	Display operation 01: -/-- 02: >12 03: Wide 04: Picture in Picture 05: Text/Mix/TV 06: Text Off 07: Mix 08: Exit 09-13: Extend1-5
--	---	--	---	---




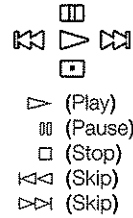
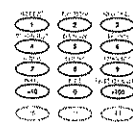




VCR operations

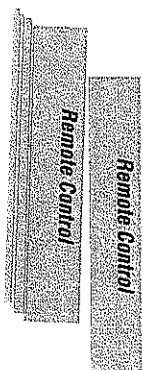
 CHANNEL + CHANNEL -  Cursor  ENTER	 (Play) (Pause) (Stop) (Skip) (Skip)  REC (Recording)	 Numeric keys  MENU	 FUNCTION SHIFT commands INPUT SEL.  TITLE/GUIDE	Display operation 01: Thumb Up 02: Thumb Down 03: Jump 04: Instant Replay 05: Quick Skip 06: Exit 07-11: Extend1-5
--	---	--	---	---

LD player operations



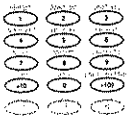



 + (Slow) - (Slow)  ENTER  (Rewind)  (Fast forward)	 (Play) (Pause) (Stop) (Skip) (Skip)	 Numeric keys  OSD/ PAGE	 FUNCTION SHIFT commands REPEAT RANDOM DISPLAY	Display operation 01: Frame/Time 02: Side A or A/B 03: Side B 04-08: Extend1-5
--	--	---	--	---

DVD player operations


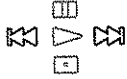



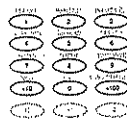



 + (Fast forward) - (Rewind)  Cursor  ENTER	 (Play) (Pause) (Stop) (Skip) (Skip)	 Numeric keys  MENU  GUIDE	 FUNCTION SHIFT commands RANDOM REPEAT DISPLAY AUDIO  RETURN	Display operation 01: Chapter/Time 02: Angle 03: PGM 04: DVD Set 05: Memory 06: Clear 07: Repeat A-B 08: Sub Title 09: Title Search 10: Aspect 11: On/Off 12-16: Extend1-5
--	--	---	--	---





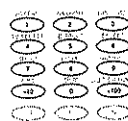


DSS receiver operations

 CHANNEL + CHANNEL -	 Cursor ▲/▼/◀▶ ENTER	 Numeric keys	 FUNCTION SHIFT commands INPUT SEL. SELECT AUDIO THEME FAVORITE INFO.	 MENU  CHANNEL GUIDE	Display operation 01: Exit 02-06: Extend1-5
---	--	--	--	---	--

Cable tuner operations

 CHANNEL + CHANNEL -  VOLUME + ▼▼ VOLUME - ▲▲	 Cursor ▲/▼/◀▶ ENTER  PAGE UP (▲)  PAGE DOWN (▼)	 Numeric keys	 FUNCTION SHIFT commands INPUT SEL. SELECT THEME FAVORITE INFO. EXIT LAST CHANNEL	 MENU  GUIDE	Display operation 01: A - B - C 04-08: Extend1-5
---	--	--	---	---	---

Satellite tuner operations

 CHANNEL + CHANNEL -	 Cursor ▲/▼/◀▶ ENTER	 Numeric keys	 FUNCTION SHIFT commands INPUT SEL. SELECT AUDIO	 OSD	Display operation 01-05: Extend1-5
---	--	--	--	---	--

In case of difficulty

14

Remote control unit

Symptom	Cause	Remedy
The battery indicator flashes during operation.	<ul style="list-style-type: none"> The batteries are nearing exhaustion. 	<ul style="list-style-type: none"> Replace with new batteries to preserve the currently registered setup information. - [15]
Subwoofer volume cannot be adjusted.	<ul style="list-style-type: none"> Subwoofer is OFF. 	<ul style="list-style-type: none"> Turn the subwoofer ON. - [16]
Certain inputs cannot be selected using the remote control.	<ul style="list-style-type: none"> No setup codes registered at for the respective input(s). 	<ul style="list-style-type: none"> Register a setup code or Non-IR code at the respective input(s). RC-[3]
Remote control operation is not possible.	<ul style="list-style-type: none"> The remote control is set to a different operation mode. Batteries are exhausted. The remote control unit is too far away from the main system, controlling angle is too large, or there is an obstacle between the receiver and the remote. The audio cords and system control cords are not connected properly. No software is loaded in the source component. An attempt is made to play a tape which is being recorded in the cassette deck. The remote control has not been set to the operation mode for the component you wish to control. The microprocessor of the remote control malfunctions. 	<ul style="list-style-type: none"> Press the MUSIC, MOVIE, or TV keys to select the appropriate operation mode. Replace with new batteries. - [15] Operate the remote control unit within the controllable range. Connect properly referring to "Setting up the system". - [7] Place software in the source component you want to play. Wait until recording has completed. Press the MUSIC, MOVIE, or TV keys to activate the operation mode for the component you want to control before operation. RC-[5] Reset the microprocessor. - [28]

Remote Control

Free Manuals Download Website

<http://myh66.com>

<http://usermanuals.us>

<http://www.somanuals.com>

<http://www.4manuals.cc>

<http://www.manual-lib.com>

<http://www.404manual.com>

<http://www.luxmanual.com>

<http://aubethermostatmanual.com>

Golf course search by state

<http://golfingnear.com>

Email search by domain

<http://emailbydomain.com>

Auto manuals search

<http://auto.somanuals.com>

TV manuals search

<http://tv.somanuals.com>