
FRONTIER



BUILT-IN



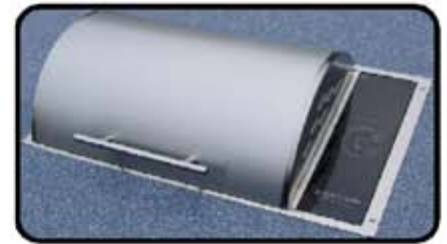
PORTABLE

RIO



BUILT-IN

FLORIDIAN



BUILT-IN



PORTABLE

INSTALLATION GUIDE & OPERATION MANUAL ELECTRIC GRILLS

Kenyon International, Inc.
P.O. Box 925
8 Heritage Park Road
Clinton, CT 06413 USA
Phone: (860) 664 - 4906
FAX: (860) 664 - 4907
www.kenyonappliances.com

Part # 143355D

Revised: 05/07/07

kenyonengineering/manuals/grill/143355D

IMPORTANT SAFEGUARDS

When using electrical appliances, basic safety precautions should always be followed including the following:

1. Read all instructions
2. Do not touch hot surfaces. Use handles or knobs.
3. To protect against electrical shock do not immerse cord, plugs, in water or other liquid.
4. Close supervision is necessary when any appliance is used by or near children.
5. Unplug from outlet when not in use and before cleaning. Allow to cool before putting on or taking off parts.
6. Do not operate any appliance with a damaged cord or plug or after the appliance malfunctions or has been damaged in any manner. Return appliance to the nearest authorized service facility for examination, repair, or adjustment.
7. The use of accessory attachments not recommended by the appliance manufacturer may cause injuries.
8. Use grill outdoors only.
9. Do not let cord hang over edge of table or counter, or touch hot surfaces.
10. Do not place on or near a hot gas or electric burner, or in a heated oven.
11. Extreme caution must be used when moving an appliance containing hot oil or other hot liquids.
12. Always attach plug to appliance first, then plug cord into the wall outlet. To disconnect, turn any control to "off", then remove plug from wall outlet.
13. Do not use appliance for other than intended use.
14. Fuel, such as charcoal briquettes, is not to be used with appliance.
15. Use only on properly grounded outlet.
16. Save these Instructions.

**PLEASE READ THESE
INSTRUCTIONS IN
THEIR ENTIRETY BEFORE
INSTALLATION AND USE
OF APPLIANCE.**

**DO NOT DISCARD
THIS MANUAL!
SAVE FOR FUTURE
REFERENCE.**

Contents

	Page
Product Specifications.....	1
INSTALLATION	
Package Contents.....	2
Electrical Requirements.....	3
Counter Top Preparation.....	4
Installing Grill.....	5
Safety Guidelines.....	7
TOUCH CONTROL COOKING	
Control Graphics.....	9
Switching On the Grill.....	10
Heat Settings.....	10
Turning Off the Grill.....	11
Automatic Shut-off.....	11
GRILL FEATURES	
GFCI Circuit.....	12
Grill Assembly.....	13
Warranty Information.....	15

KENYON® Custom All Seasons Electric Grill

TOUCH CONTROL GRILL



Frontier

Model B70050 - 120V AC - 1300 WATTS - 11 AMPS

Model B70051 - 240V AC - 1300 WATTS - 6 AMPS

Overall dimensions: 21" x 12" x 4 1/2" (7 3/4" with lid)
533mm x 305mm x 114mm (197mm with lid)

Depth does not include drain fitting

Cutout dimensions: 19 3/4" x 11 5/8" with 1/4" radius corners
501.6mm x 296mm with 6mm radius



Portable

Model B70090 - 120V AC - 1300 WATTS - 11 AMPS

Overall dimensions: 21" x 12" x 9 3/4"
533mm x 305mm x 127mm



Floridian

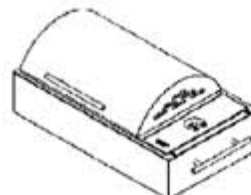
Model B70080 - 120V AC - 1300 WATTS - 11 AMPS

Model B70081 - 240V AC - 1300 WATTS - 6 AMPS

Overall dimensions: 21" x 12" x 4 1/2" (7 3/4" with lid)
533mm x 305mm x 114mm (197mm with lid)

Depth does not include drain fitting

Cutout dimensions: 19 3/4" x 11 5/8" with 1/4" radius corners
501.6mm x 296mm with 6mm radius



Portable

Model B70082 - 120V AC - 1300 WATTS - 11 AMPS

Overall dimensions: 21" x 12" x 9 3/4"
533mm x 305mm x 127mm



Rio

Model B70085 - 120V AC - 1300 WATTS - 11 AMPS

Model B70086 - 240V AC - 1300 WATTS - 6 AMPS

Overall dimensions: 21 1/8" x 14 3/8" x 4 1/2" (8" with lid)
537mm x 365mm x 114mm (203mm with lid)

Depth does not include drain fitting

Cutout dimensions: 19 3/4" x 11 5/8" with 1/4" radius corners
501.6mm x 296mm with 6mm radius

KENYON® Custom All Seasons Electric Grill

TOUCH CONTROL GRILL



IMPORTANT!

Save this document for future reference.

This appliance must be properly installed and grounded by a qualified technician.

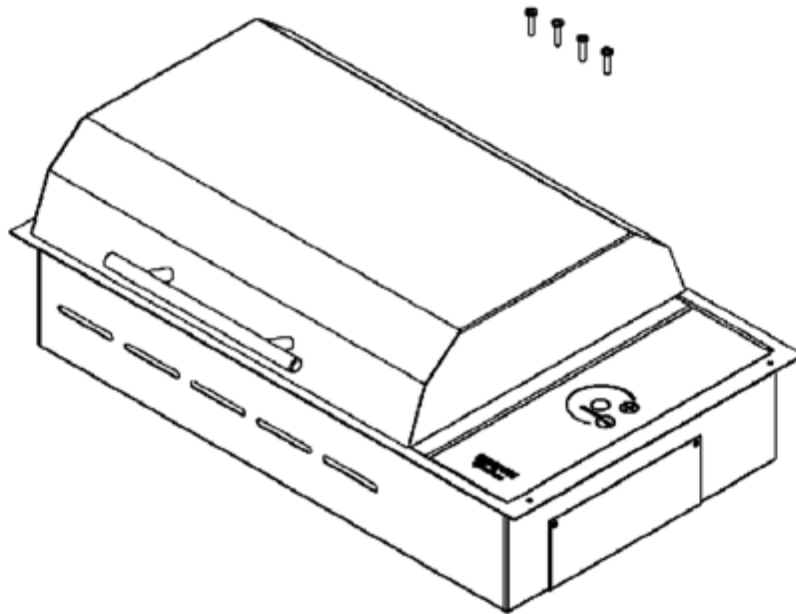
STEP #1

Unpacking the Grill

Carefully unpack the grill from its shipping container. If possible, retain the original packaging should the unit ever need to be returned for service.

Verify and identify the package contents. The following items should be included in the carton. If any components are missing or damaged, call KENYON immediately.

Grill • (4) mounting screws • (1) manual



IMPORTANT!

Do not remove the clear film on the ceramic glass until grill is ready to operate.

KENYON® Custom All Seasons Electric Grill

TOUCH CONTROL GRILL

For future reference, please record the serial number of your grill here:

The number can be found on the short side of the grill at the end with the glass control panel and consists of six digits.

STEP #2

Check the Electrical Supply Requirements

This product must be installed in accordance with national, state and local electric codes. The following table provides the correct voltage, amperage and frequency that must be supplied to the grill.

The supply must be from an individually grounded circuit that is protected by a circuit breaker and rated per the specifications for the model as shown in the table above. The 240V grill power lead must be wired into a circuit protected with a GFCI device.

KENYON Part #	Max Load	Power Supply	Plug Type
B70050 B70080 B70082 B70085 B70090	1300 Watts	120V AC 11A 60Hz	3 prong grounded cord with GFCI
B70051 B70081 B70086	1300 Watts	240V AC 6A 60Hz	3 wire SO cord no plug

WARNING:

If the electrical supply does not meet the product specifications, consult with a licensed electrician before proceeding with installation!

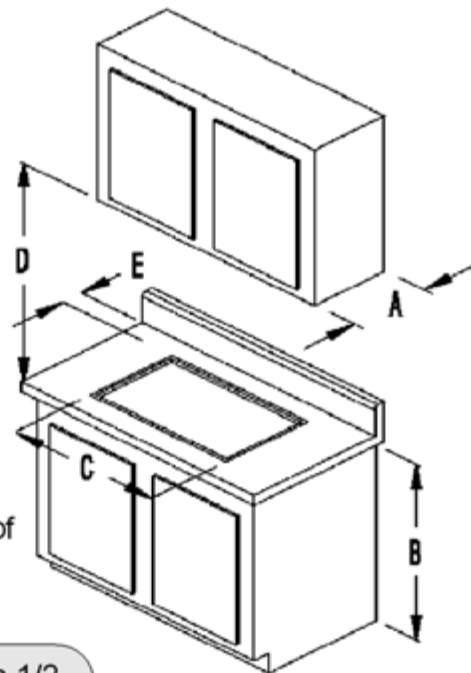
STEP #3

Counter Top Preparation for installed grills

Please read this section prior to making cutout for the grill.

It is important to plan ahead for installation of the grill, keeping the following dimensions in mind (please refer to Figure A below).

- A - 13 inches maximum depth of overhead cabinets
- B - 36 inches is minimum height of counter top above floor
- C - The minimum flat counter top surface that the grill will rest upon must be equal to or greater than the overall grill dimensions (refer to the following page for overall grill dimensions).
- D - 30 inches minimum clearance between the top of the grill and the bottom of an unprotected wood or metal cabinet or 24 inch minimum clearance when the bottom of wood or metal cabinet is protected by not less than 1/4 inch thick flame retardant mill board covered with not less than No. 28 MSG sheet steel, 0.015 inch thick stainless steel, 0.024 inch thick aluminum or 0.020 inch thick copper.
- E - 4 inches minimum from back splash of counter top to edge of grill (refer to the following page for overall grill dimensions).
1-1/2 inches minimum from front of counter to grill.



FOR INSTALLATIONS IN CANADA: "Do Not Install Closer Than 1/2 Inch (12 mm) From Any Adjacent Surface", and **NE PAS INSTALLER A'MDINS DE 12MM DETOUTE SURFACE ADJACENTE.**

FIG. A

WARNING:

To eliminate the risk of burns by reaching over heated grill, cabinet storage space located above the grill should be avoided. If cabinet storage is to be provided, the risk can be reduced by installing a range hood that projects horizontally a minimum of 5 inches beyond the bottom of the cabinets.

Before making the counter top cutout, check for clearance. Check to see that the grill will clear the front and side walls of the base cabinet. Also check for proper clearance to the back splash so that the lid can open fully.

Adequate ventilation of the space below the counter top must be provided to ensure proper operation of the grill. Heat transferred from the grill bottom pan during operation will overheat an improperly ventilated area.

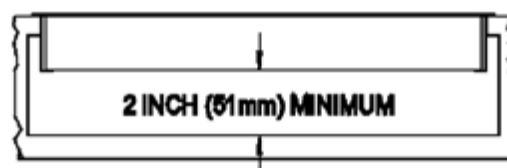
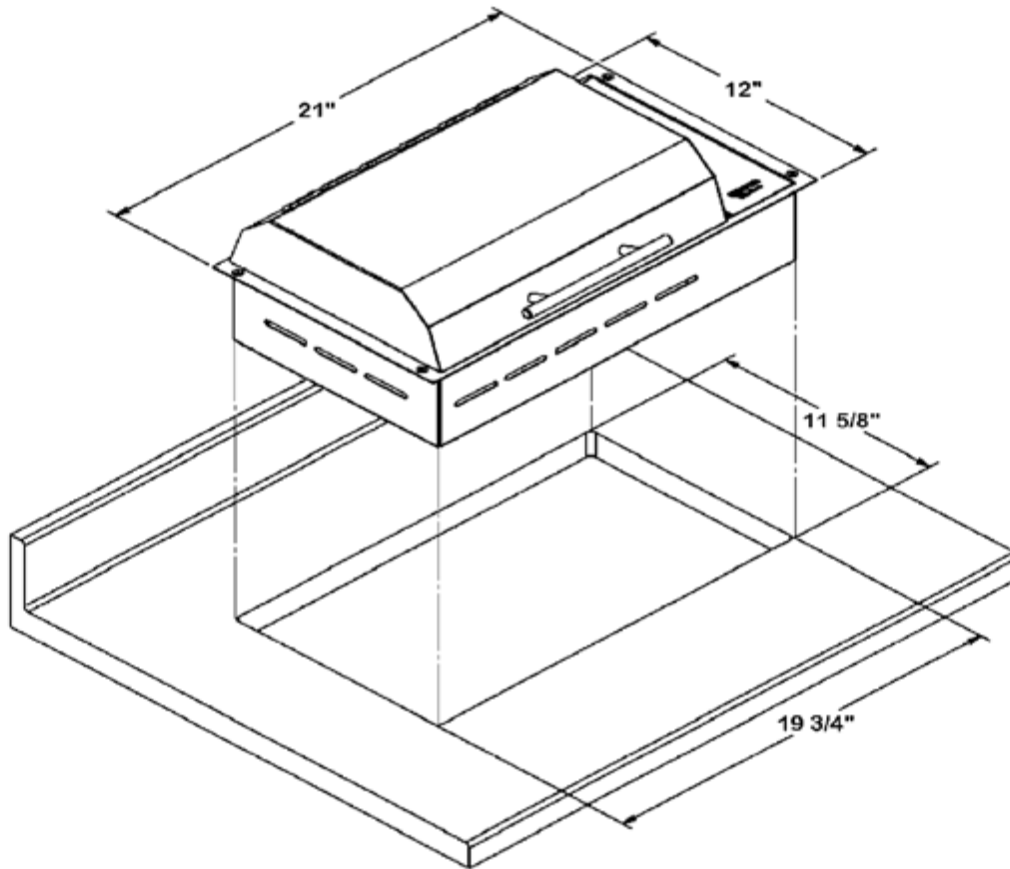


FIG. B

WARNING

Allow a 2 inches minimum clearance between the bottom of the grill and combustible surface located below, ie: the upper edge of a drawer installed below the grill (Fig B, page 4). Failure to provide proper clearances and ventilation may result in a fire hazard.



Counter top Cutout DIMENSIONS

B70050 GRILL

NOTE: When making counter top cutout, **radius** the corner to help prevent cracking of the counter top material. A 1/4 inch radius is typical, but follow the counter top manufacturer's instructions regarding the minimum radius and reinforcement.

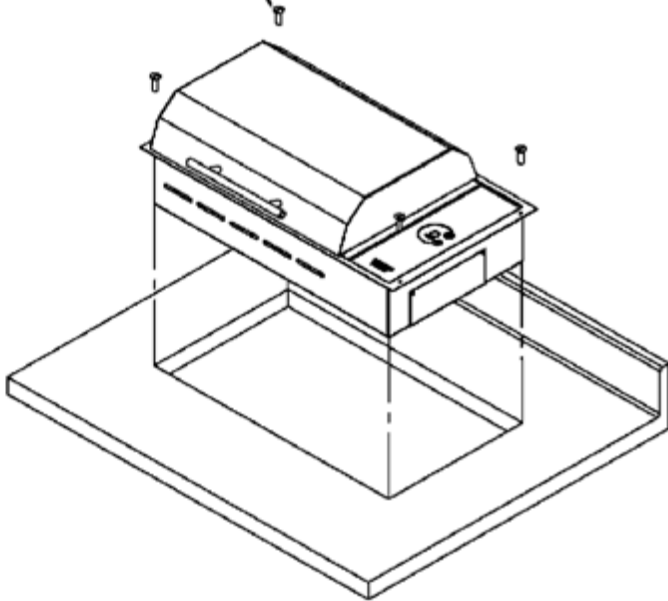
STEP #4

Installing the Grill

The B70050 & B70051 grill is supplied with a factory installed polished stainless trim flange that accepts four oval head wood screws for mounting. The trim flange of the grill is designed to hold the unit firmly in place in the counter top. If desired, you may seal the edge of the counter top beneath the trim flange. We recommend a **NON-ADHESIVE** sealer, such as plumber's putty. This will help reduce the chance of damage to the trim flange should the unit need to be removed from the counter top.

Fig. D

MOUNTING SCREWS (SUPPLIED)
#6X3/4" OVAL
HEAD SS WOOD SCREWS



Test fit the grill into the counter top, verifying adequate clearance and proper cutout dimensions. Using the grill as a template, mark the counter top surface and predrill the counter top for the #6 screws. **(SEE FIG. D)** Clean up as necessary and install the grill in the counter top, secure with #6 self-tapping screws that are provided.

BE CAREFUL NOT TO OVERTIGHTEN THE SCREWS!

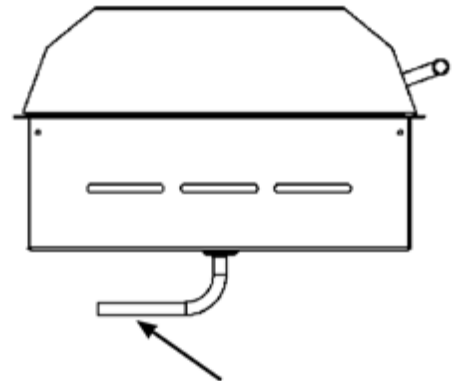
WARNING - GROUNDING

The grill is equipped with a ground fault circuit interrupter (GFCI). The grill is to be plugged into a grounded 3-prong receptacle. Please refer to the table on page 3 for appropriate electrical requirements. Do not remove the GFCI from the grill.

STEP #5

DRAINAGE CONNECTION

For your convenience, the grill is equipped with a 1/2" - 16 stainless steel nut and fitting to which you can attach a standard 3/8" ID flexible hose (not supplied) to drain water out of the grill chassis. The drain must be attached to a hose to divert the water to an exterior location away from any interior compartment or cabinet.



Drain Fitting (for 3/8" ID hose)

STEP #6

Final Preparations Prior to Use

Remove the protective plastic film from the lid, trim flange and glass panel. Clean the grill before you use it for the first time. A thorough cleaning with a stainless steel or glass cleaner will remove any traces of plastic film adhesives and manufacturing oils.

Wash the nonstick coated grate in warm soapy water before using the grill.

KENYON[®] Custom All Seasons Electric Grill

TOUCH CONTROL GRILL

USER'S GUIDE & CARE **SAFETY**

Read this section **BEFORE** operating the grill
The following information applies to all
KENYON Electric Grills.

This grill, like all appliances, has the potential to create safety problems through careless and improper use. Please observe all of the following safety precautions.

PROPER INSTALLATION

Be sure your appliance is properly installed and grounded by a qualified technician.

NEVER USE YOUR APPLIANCE FOR WARMING OR HEATING A DWELLING

DO NOT LEAVE CHILDREN ALONE

Children should never be left alone or unattended in the area where the appliance is in use. They should never be allowed to sit or stand on any part of the appliance. Do not store items of interest to a child in cabinets above appliance. Children climbing on the appliance to reach such items could be seriously injured.

WEAR PROPER CLOTHING/APPAREL

Loose fitting or hanging garments should never be worn while using the appliance.

USER SERVICING

DO NOT repair or replace any part of the appliance. If service ever becomes necessary, this appliance should be serviced by **AUTHORIZED PERSONNEL ONLY** or call **KENYON Customer Care at (860) 664-4906**.

KEEP FLAMMABLE MATERIALS AWAY FROM GRILL

DO NOT STORE PLASTIC MATERIAL (SUCH AS PLASTIC UTENSILS) IN STORAGE AREAS BENEATH THE APPLIANCE

Plastic items with low melting temperatures should not be stored under/over or near the appliance.

KENYON® Custom All Seasons Electric Grill

TOUCH CONTROL GRILL

DO NOT USE WATER ON GREASE FIRES

Smother fire or flame or use dry chemical or foam-type extinguisher.

USE ONLY DRY POT HOLDERS

Moist or damp pot holders on hot surfaces may result in burns from steam. Do not let pot holder touch the grate or element of the grill. Do not use a towel or other bulky cloth in place of a pot holder.

DO NOT COOK ON BROKEN GRILL GRATE OR GRIDDLE

If the grate should break, grease and oils may come into direct contact with the electric element and create a risk of electric shock or fire. Contact an authorized service center or KENYON Customer Care immediately at (860) 664-4906.

CLEAN GRILL WITH CAUTION

If a wet sponge or cloth is used to wipe spills on a hot cooking surface, be careful to avoid steam burns. Some cleaners produce noxious fumes if applied to a hot surface. Read the cleaner label for details prior to using.

DO NOT TOUCH HEATING ELEMENT OR GRATE

The heating element and grate will be hot for some time after cooking. These components should be allowed to cool and then be handled with care and caution while cleaning, as they may be hot enough to cause severe burns.

CLEAN GRILL AFTER EACH USE

This appliance is equipped with a removable, disposable grease pan. This pan **MUST** be removed and cleaned after each and EVERY use. Do not allow grease to accumulate between cooking. The grease pan and baffle tray **MUST** be used when cooking on the grill. Excessive grease may spill over into the interior of the grill, voiding your warranty and posing a fire hazard.

NEVER LEAVE GRILL UNATTENDED AT HIGH HEAT SETTINGS

High heat setting causes heavy smoking and grease that may ignite.

DO NOT CLEAN UNIT WITH PRESSURIZED WATER

Never clean the grill with any form of pressurized water or other types of cleaners. Doing so will void the warranty and may pose a serious risk of electric shock. Always clean the grill with a cloth and a stainless steel or glass surface cleaner.

TO PREVENT SMOKE

To prevent the contents of the grease pan from smoking, place 1 cup of water (or enough to cover the bottom of the pan) in the grease pan before cooking

DO NOT USE POTS OR OTHER BAKEWARE ON THE GRILL

KEEP THESE INSTRUCTIONS WITH THE GRILL FOR FUTURE REFERENCE

KENYON® Custom All Seasons Electric Grill

TOUCH CONTROL GRILL

POWER ON INDICATOR

This display indicates whether the grill is ON or OFF.

POWER LEVEL DISPLAY

Digital display indicates heat output of grill. The indicator lamps follow the sweep of the screened graphic. There are eight possible heat levels.

(+) POWER SENSOR

Touching this sensor will increase the heat output of the grill in increments of one.

(-) POWER SENSOR

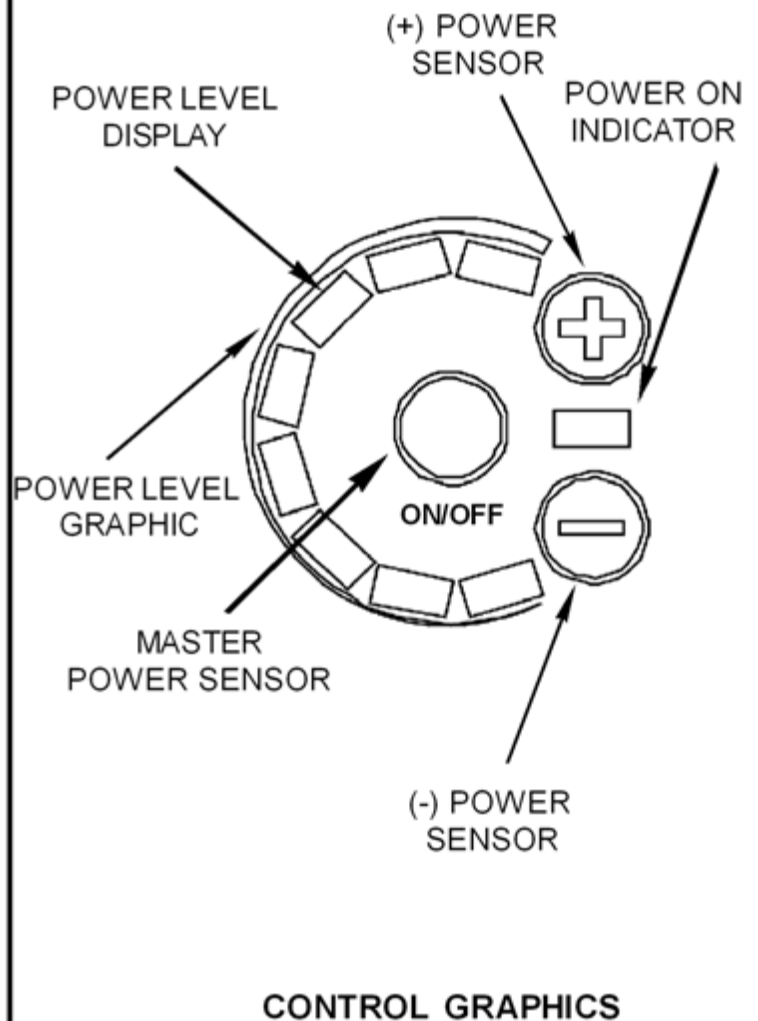
Touching this sensor will decrease the heat output of the grill in increments of one.

POWER LEVEL GRAPHIC

Depicts the level of heat output by the element. The line sweeps from thin to thick, indicating low to high power.

MASTER POWER SENSOR

This is the main power control for the grill. Touching this with the grill OFF will activate the controller and turn the grill ON. Touching this sensor with the grill on will shut the grill OFF.

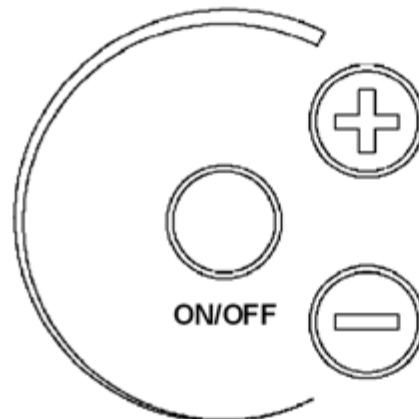


KENYON® Custom All Seasons Electric Grill

TOUCH CONTROL GRILL

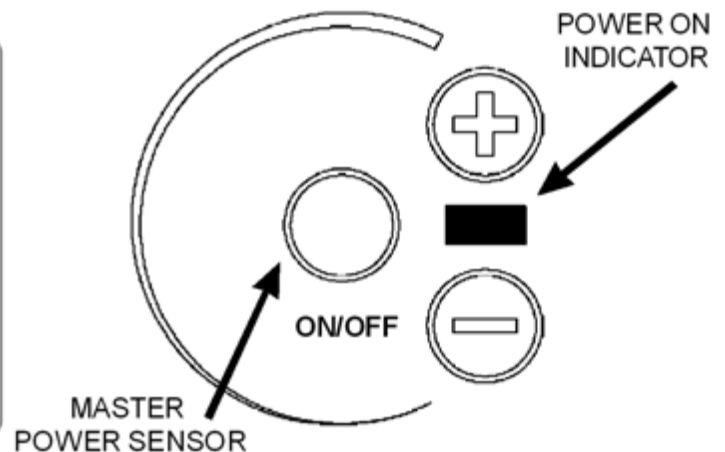
CALIBRATION

Upon application of electrical power to the grill, the controller will run a self-calibration process. The controller will then sound an audible confirmation tone and the display will briefly illuminate. The grill is now ready to be used.



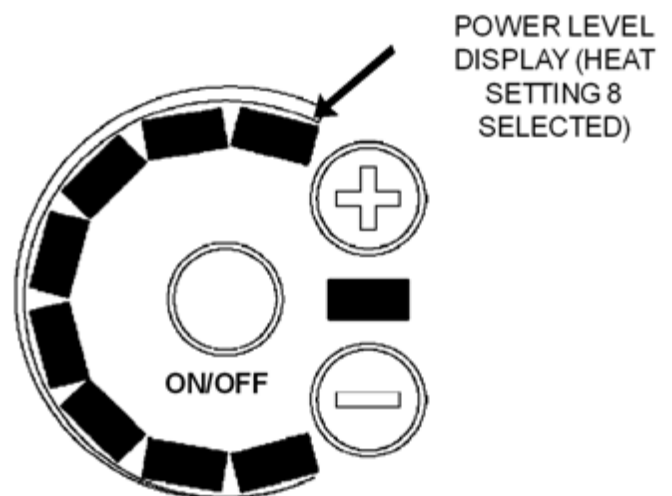
ENERGIZING THE GRILL

To turn the grill ON, touch and hold the Master Power Sensor for two seconds. The controller will then beep and the Power On Indicator will illuminate.



HEAT SETTINGS

Your KENYON grill has 8 different heat settings, from 1 through 8, selected using the (-) and (+) sensors. The heat setting is displayed as shown at the right. The heating element cycles at different time intervals to vary the heat level. As the setting is increased, the heating element will remain on for a longer period, increasing the cooking temperature of the grill.



KENYON® Custom All Seasons Electric Grill

TOUCH CONTROL GRILL

TURNING “OFF” THE GRILL

To turn off the grill, simply **touch and hold** the Master Power Sensor for **two seconds**. The controller will de-energize and shut off the heating element.

IN AN EMERGENCY THE GRILL CAN BE TURNED OFF BY PRESSING THE “TEST” BUTTON ON THE GFCI.

AUTOMATIC SHUT-OFF

The electronic control of your KENYON grill has been programmed with safety in mind and features an automatic shut-off. The grill is programmed to shut down after a predetermined time after being energized (see table below). The control will also shut off if it reaches a preset temperature limit. If this occurs, allow the grill to cool down for 20-30 minutes.

PREHEAT AND AUTO SHUT-OFF TIME

The grill will preheat at full power for the specified time and heat settings listed in the table below. In the number 8 setting there is no preheat as the grill is at full power all ready.

SETTING	PRE-HEAT TIME (min)	AUTO SHUT-OFF (min)
1	1	90
2	3	90
3	5	90
4	5	60
5	7	60
6	7	60
7	7	60
8	0	60

KENYON® Custom All Seasons Electric Grill

TOUCH CONTROL GRILL

THIS PERTAINS TO 120V MODELS ONLY

GROUND FAULT CIRCUIT INTERRUPTER (GFCI)

The GFCI is a safety device designed to protect the user from any electrical shock hazard.

INDICATOR LIGHT

The indicator light will stay illuminated when electrical power is applied and indicates that the GFCI is working properly.

TEST/EMERGENCY OFF BUTTON

Pressing this button will test the GFCI. The indicator light will go out and electrical power will not be supplied to the grill. The GFCI should be tested monthly.

RESET BUTTON

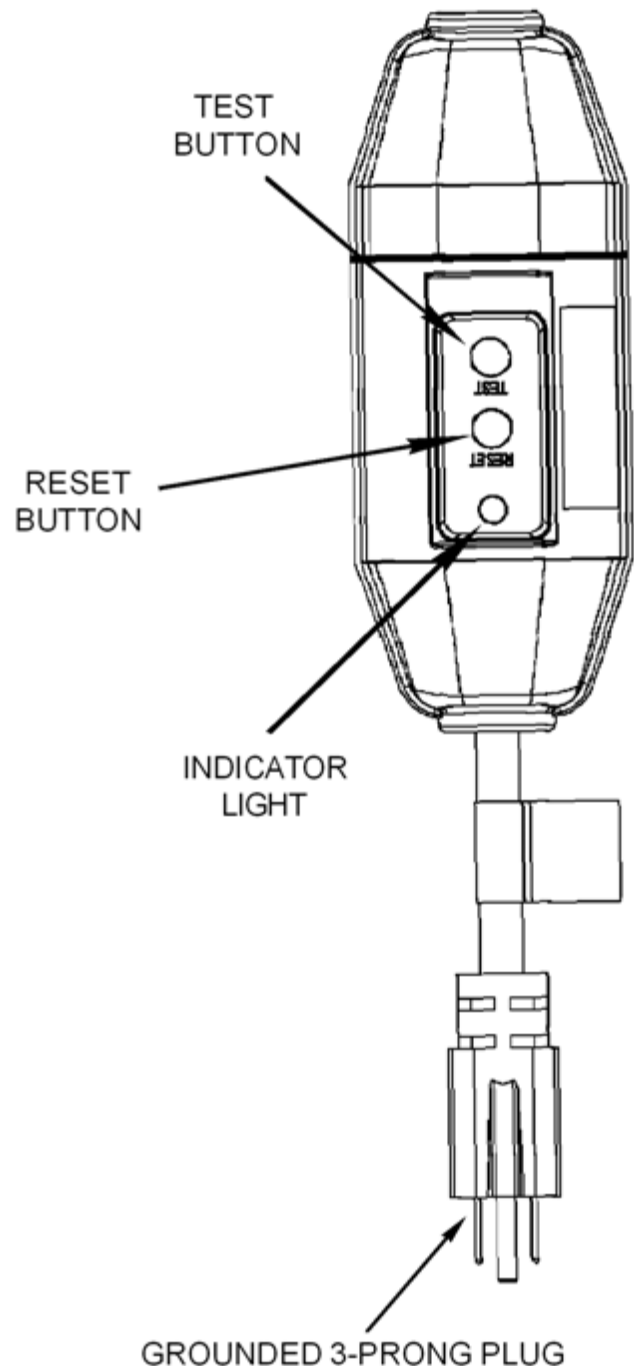
Pressing this button will reset the GFCI to its normal function. The indicator lamp will illuminate and electrical power will be supplied to the grill. If the indicator lamp does not illuminate, the GFCI has detected a malfunction. Unplug the GFCI from the receptacle and do not use the grill.

GROUNDING 3-PRONG PLUG

The GFCI must be plugged into a properly grounded receptacle.

240V MODELS GROUND FAULT CIRCUIT

The supply voltage circuit (240V) should be equipped with a ground fault circuit interrupter. Check local codes for compliance.



**GROUND FAULT
CIRCUIT INTERRUPTER**

HEATING ELEMENT

The heating element is designed to pivot as shown to remove/replace the baffle tray and grease tray.

BAFFLE TRAY

The baffle tray supports the grease tray, heating element and grate and must always be used when operating the grill.

GREASE PAN

The grease pan collects all the fat and juices created during the cooking process. The grease pan must be emptied after each use. When replacing the grease pan, position the grease pan so that it is completely contained inside the baffle tray and insuring that the side or the rim of the grease pan does not protrude outside of the baffle tray.

(see Fig. E)

To prevent the contents of the grease pan from smoking, place 1 cup of water (or enough to cover the bottom of the pan) in the grease pan before cooking.

The replacement for the disposable grease pan is Kenyon part #B96001.

GRATE

The grate must be cleaned after every use. The grate has a nonstick coating for ease of cleaning. Wash the grate after each use in warm soapy water.

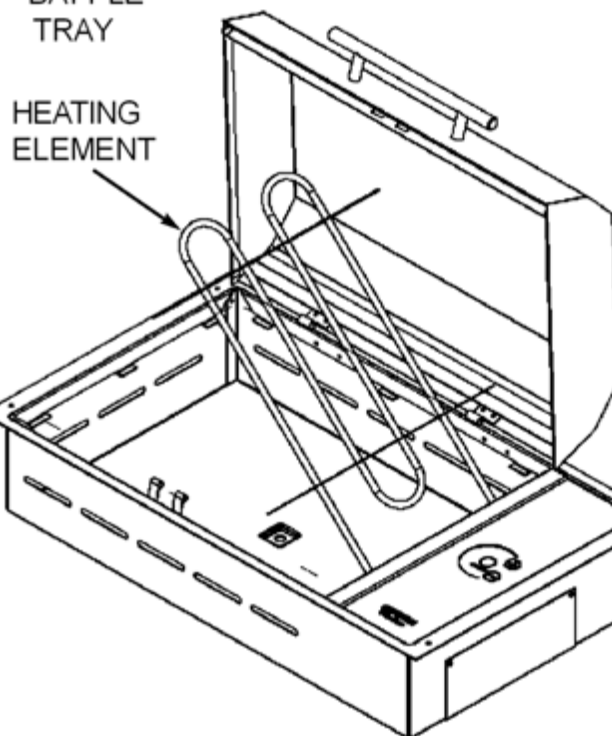
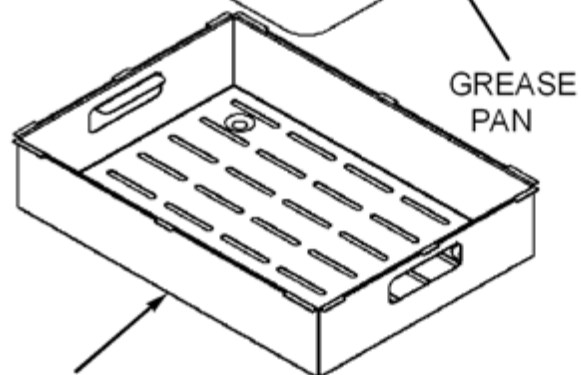
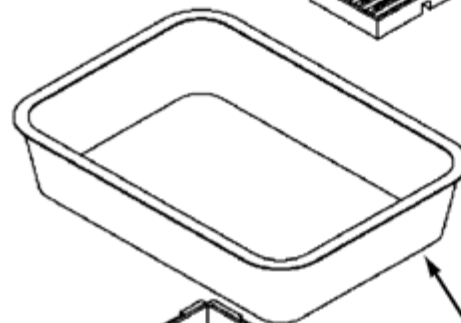
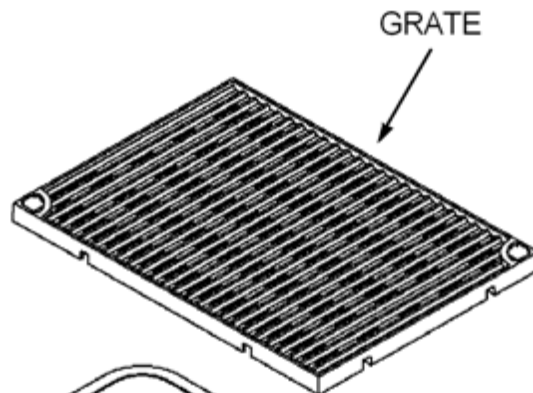
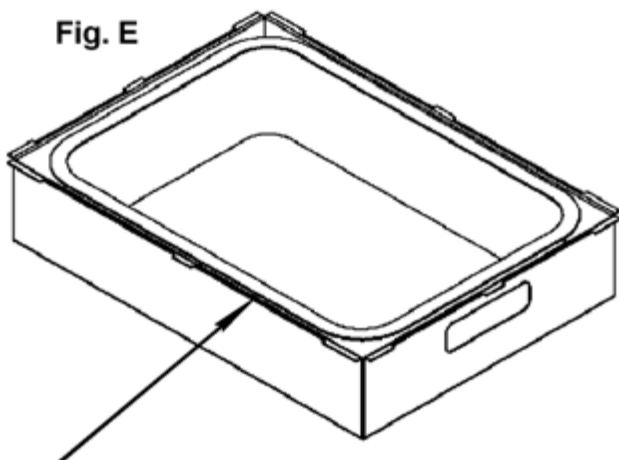


Fig. E



GREASE PAN MUST BE CONTAINED
INSIDE OF BAFFLE TRAY AS SHOWN

LID REMOVAL

The grill lid is removable for cleaning. To remove the lid, slide the quick release pin out of the hinge. (see **Fig. F**)

With the quick release pin removed, grasp the lid, lifting on the left side to clear the hinge and slide it the left until clear of the hinge pin on the right. (see **Fig. G**) Once the lid is removed, it can be washed in warm, soapy water.

Fig. F

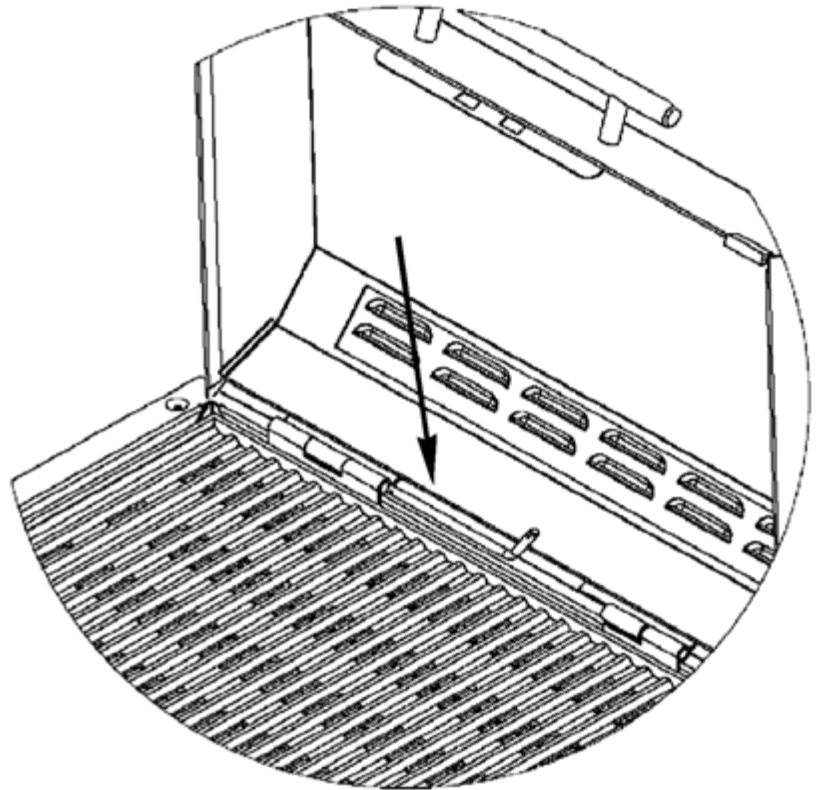
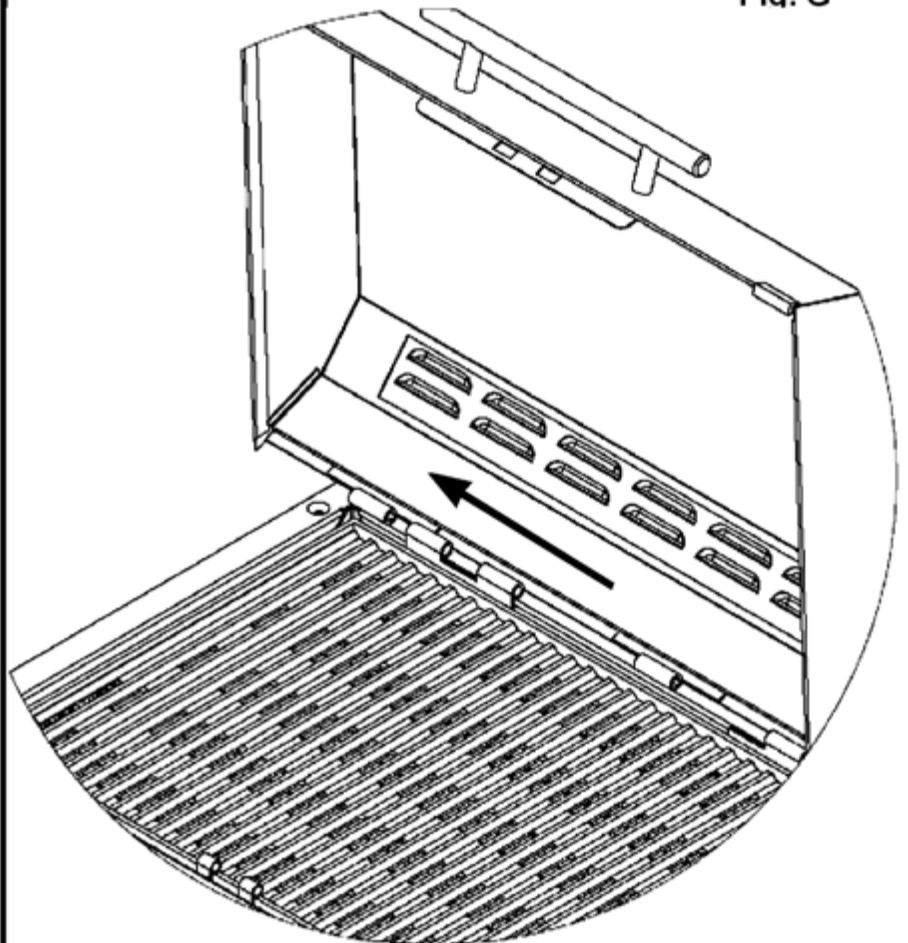


Fig. G



WARRANTY

Kenyon International, Inc. (the "Company") warrants its products in normal usage to be free of defects in materials and workmanship subject to the conditions and limitations below.

Any part, which proves to be defective in normal usage during the warranty period will be repaired or replaced by the Company.

This warranty covers only KENYON All Seasons Grills and is subject to the following conditions and limitations:

1. The Company's liability shall be limited to repair or replacement (choice of remedy at Company's option) of goods or parts as may be defective in materials or workmanship. This liability is limited to three years from the date of original purchase; this warranty covers parts and labor at approved Company rates.
2. Determination of suitability of the product for the use contemplated by the buyer is the sole responsibility of the buyer and the Company shall have no responsibility in connection with such suitability.
3. The Company shall not be liable for any damage resulting from:
 - failures due to use of the product in applications for which they are not intended
 - failures due to corrosion, wear and tear, abuse or improper installation or maintenance
4. The Company shall be responsible for ground shipping charges to the location of the appliance (home) within the continental United States and Canada. Any other or express or special shipping charges are at the expense of the buyer.
5. All labor allowed by the Company under this warranty must be performed by an authorized Kenyon International service center, unless otherwise specified in writing by the Company.

THERE ARE NO OTHER WARRANTIES OF MERCHANTABILITY, FITNESS FOR PURPOSE OR ANY OTHER KIND, EXPRESSED OR IMPLIED AND NONE SHALL BE IMPLIED BY LAW. The duration of any such warranties that are nevertheless implied by law for the benefit of a consumer, shall be limited to a period of two years from original purchase by the user. Some countries do not allow limitations on how long an implied warranty lasts, so this limitation may not apply to you.

THE COMPANY SHALL NOT BE LIABLE FOR CONSEQUENTIAL OR INCIDENTAL DAMAGES ARISING FROM THE BREACH OF THIS WARRANTY, WHETHER EXPRESS, IMPLIED OR STATUTORY. Some countries or states do not allow exclusion or limitation of consequential or incidental damages so this limitation or exclusion may not apply to you.

THIS WARRANTY GIVES YOU SPECIFIC LEGAL RIGHTS AND YOU MAY ALSO HAVE OTHER LEGAL RIGHTS THAT MAY VARY FROM COUNTRY TO COUNTRY AND STATE TO STATE.

Kenyon International, Inc.
P.O. Box 925 8 Heritage Park Road Clinton CT 06413 USA
Phone: (860) 664 - 4906 FAX: (860) 664 - 4907

Free Manuals Download Website

<http://myh66.com>

<http://usermanuals.us>

<http://www.somanuals.com>

<http://www.4manuals.cc>

<http://www.manual-lib.com>

<http://www.404manual.com>

<http://www.luxmanual.com>

<http://aubethermostatmanual.com>

Golf course search by state

<http://golfingnear.com>

Email search by domain

<http://emailbydomain.com>

Auto manuals search

<http://auto.somanuals.com>

TV manuals search

<http://tv.somanuals.com>