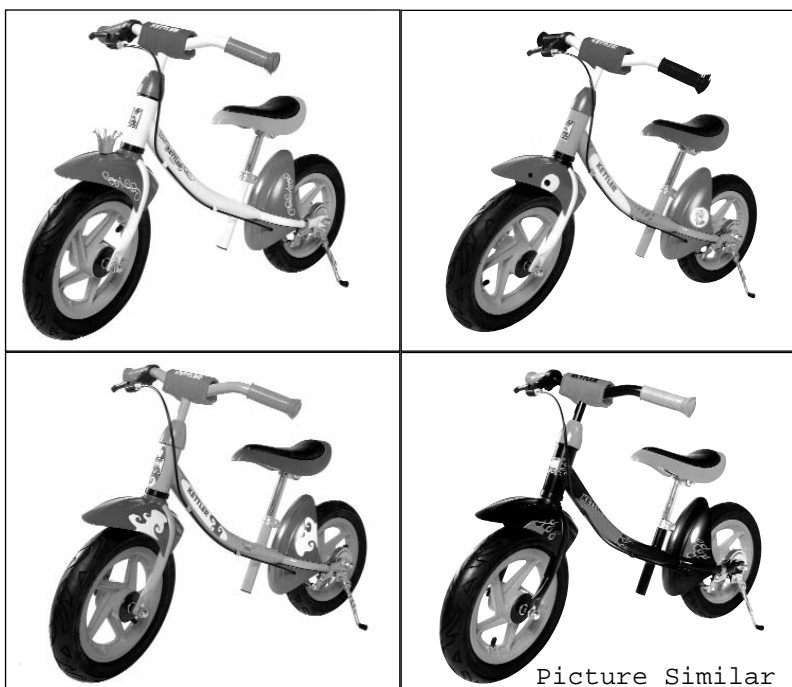


# KETTLER

## ASSEMBLY INSTRUCTIONS

Model No.

8718-710-720-730-750



FREIZEIT MARKE KETTLER

**Read these instructions carefully before assembling the product or using it for the first time. They contain important information for your safety and for the correct use and maintenance of this KETTLER product. Keep the instructions in a safe place for information or for ordering spare parts.**

This KETTLER product has been designed in accordance with the latest standards of safety and subjected to constant quality monitoring. The data gained from this quality process is then incorporated in the development of our products. For this reason, we reserve the right to make changes in design and technology in order to offer our customers products of the highest standard of quality at all times. In spite of this, should you have any ground for complaint, please contact your KETTLER dealer.

## For your safety

- **Attention:** An adult should always supervise playing. Only one child may use this product. Do not use the wheeled toy near slopes, steps, roads, railways, lakes and rivers, etc. Sturdy footwear should be worn at all times. We recommend wearing suitable protective clothing and a safety helmet.
- This toy is designed only for private use (no commercial or public use).
- This product may only be used for the intended purpose, i.e. as a wheeled toy to be used by one (1) child. All other use is not permitted, and possibly dangerous. The manufacturer cannot be held responsible for damages caused by improper use.
- Damaged parts may endanger the user and shorten the life span of the product. Please check all parts regularly, in short intervals according to use, for possible damages and loose connections (screws, plug-in connections).
- Damaged or worn parts must be replaced straight away and the vehicle must be withdrawn from use until repaired. If required please only use original KETTLER spare parts.
- This child's wheeled toy conforms to the stipulated safety regulations Europe standard EN 71-1/3 („Safety regulations for childrens toys“)
- Improper repairs and structural alterations (disassembly of original parts, fitting of not permitted parts, etc.) may cause danger for the user or affect the life span of the product.
- Please ensure that the vehicle will only be used for playing when assembly has been carried out correctly, and checked, by an adult.
- Although there is practically no danger to children when using the vehicle according to its intended purpose, you should always supervise play activities.
- As the product is only a toy it should not be used on public roads, because it does not conform to the road traffic regulations.
- Please bear in mind that there is always a danger of children injuring themselves (falling off, tipping over etc.) whilst using swings, climbing frames, tricycles or similar equipment.
- Do not connect this toy to any other product; because this child's wheeled toy has not been designed for higher speeds.
- Please bear in mind that children are very often not able to judge their own capabilities and certain (dangerous) situations. Also consider that a natural urge to play plus their temperament may lead children into unforeseen situations for which the manufacturer cannot be held responsible.
- Please ensure that the wheeled toy is only used in surroundings free of danger.

- This wheeled toy does not have lights. It is dangerous to use it in the dark.
- **⚠ Caution:** While assembly of the product keep off children's reach (Choking hazard - contains small parts).
- **⚠** Concerning products with pneumatic tyres: tighten the valve caps at all times and keep off children's reach (Choking hazard - contains small parts).

## Handling

- Before use always check that all screws and plug-in connections and respective safety devices fit correctly.
- Instruct children in the correct use of the product, and draw their attention to possible dangers.
- Sturdy, closed footwear must be worn when using this product.
- This wheeled toy does not have a so-called parking brake. Therefore secure the vehicle against rolling away. Do not leave children, who are not old enough to use the wheeled toy, unattended on a product.
- If this product can be adjusted please adapt it to your child's height.
- Do not transport anything on this product.
- Never use corrosive or abrasive substances to clean the toy. Never use substances which may cause pollution of the environment.
- Lubricate the bearing sleeves of the wheels and the handlebars with a few drops of oil every two or three months.
- For models with pneumatic tyres: When leaving wheeled toys with pneumatic tyres on floors containing solvents or which have been glued with such solvents (e.g. PVC) they may possibly stain it due to a chemical reaction with the natural product caoutchouc. If in doubt place something underneath the wheels. Ensure that air pressure in the tyres is correct (1,5 bar); if air pressure is too low this increases wear, and makes riding the toy more difficult!

## Assembly of the toy vehicle

- The toy vehicle must be assembled carefully by an adult person. Study the assembly instructions carefully before beginning work. Assemble the vehicle in the exact sequence shown by the letters in the diagrams. This is essential for the safe function and use of the toy vehicle.
- Please note that there is **always** a danger of injury when working with tools or doing manual work. Therefore please be careful when assembling this machine.
- Ensure that your working area is free of possible sources of danger, for example don't leave any tools lying around. Always dispose packaging material in such a way that it may not cause any danger. There is always a **risk of suffocation** if children play with plastic bags!
- Bolt all the parts together loosely at first, and check that they have been assembled correctly. Tighten the locknuts by hand until resistance is felt, **then use spanner to finally tighten nuts completely against resistance (locking device)**. Then check that all screw connections have been tightened firmly. **Attention:** once locknuts have been unscrewed they no longer function correctly (the **locking device is destroyed**), and must be replaced.
- When assembling plastic grips: The grips can be pushed onto the handlebars more easily if they are first soaked in warm water.
- For technical reasons, we reserve the right to carry out preliminary assembly work (e.g. addi-

tion of tubing plugs).

### List of spare parts page 13-14

When ordering spare parts, always state the full article number, spare-partnumber, the quantity required and the S/N of the product (see handling).

**Example order:** Art. no. 08718-710-720-730-750 / spare-part no. 68005121 / 1 pieces / S/N .....

Please keep original packaging of this article, so that it may be used for transport at a later date, if necessary.

Goods may **only** be returned after prior arrangement and in (internal) packaging, which is safe for transportation, in the original box if possible.

It is important to provide a detailed defect description / damage report!

**Important:** spare part prices do not include fastening material; if fastening material (bolts, nuts, washers etc.) is required, this should be clearly stated on the order by adding the words „with fastening material“.

### Waste Disposal

KETTLER products are recyclable. At the end of its useful life please dispose of this article correctly and safely (local refuse sites).

# Limited Warranty

**THERE ARE NO WARRANTIES, EXPRESSED OR IMPLIED, MADE BY EITHER THE DISTRIBUTOR OR THE MANUFACTURER ON KETTLER® PRODUCTS, EXCEPT THE MANUFACTURER'S LIMITED WARRANTY AGAINST DEFECTS IN MATERIAL SET OUT BELOW:**

This KETTLER® Limited Warranty applies to products sold through the KETTLER® Authorized Dealer Network to the original retail purchaser and authenticated by proof of purchase from a retailer located in the United States. Any shipments made under this warranty will be shipped to the United States only. Any shipment outside of the United States will be at the sole cost of the customer. This KETTLER® Limited Warranty is a manufacturer's warranty and is not changed or modified by additional warranties extended by individual retailers at the point of sale. Manufacturer warrants this product to be free from defects in material at the time of the product's tender of delivery for a period of 1 year for residential use. This Limited Warranty is not transferable and does not cover normal wear and tear (including, but not limited to, damage and wear to tires, power shocks, drive belts and other non-durable parts). The liability of the manufacturer under this Limited Warranty shall not include any liability for direct, indirect, or consequential damages resulting from the defect. **This Limited Warranty is void if the product is damaged by accident, unreasonable use, improper service, failure to follow instructions provided, modification from its original state, or other causes determined not arising out of defects in material.**

This warranty gives you specific legal rights. Should this product become defective due to material within the warranty period, contact KETTLER® Parts & Service Dept. by phone at 866.804.0440, fax at 757.563.9273, or e-mail at [parts@kettlerusa.com](mailto:parts@kettlerusa.com).

**THIS LIMITED WARRANTY IS EXPRESSLY IN LIEU OF ANY OTHER WARRANTIES, EXPRESSED OR IMPLIED, INCLUDING ANY IMPLIED WARRANTY OF MERCHANTABILITY OR FITNESS FOR A PARTICULAR PURPOSE, AND OF ANY OTHER OBLIGATIONS OR LIABILITY ON THE PART OF THE MANUFACTURER. KETTLER® NEITHER ASSUMES NOR AUTHORIZES ANY OTHER PERSON TO ASSUME FOR IT ANY OTHER LIABILITY IN CONNECTION WITH SUCH PRODUCTS.**

## Ordering Spare Parts

### Contact:


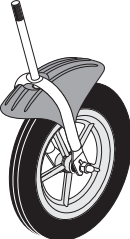





**KETTLER®International Inc.**, 1355 London Bridge Road, Virginia Beach, VA 23453 USA












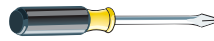
Online: [www.kettlerusa.com](http://www.kettlerusa.com)

E-mail: [info@kettlerusa.com](mailto:info@kettlerusa.com)

For parts/service ONLY: call 866-804-0440 or e-mail [parts@kettlerusa.com](mailto:parts@kettlerusa.com)

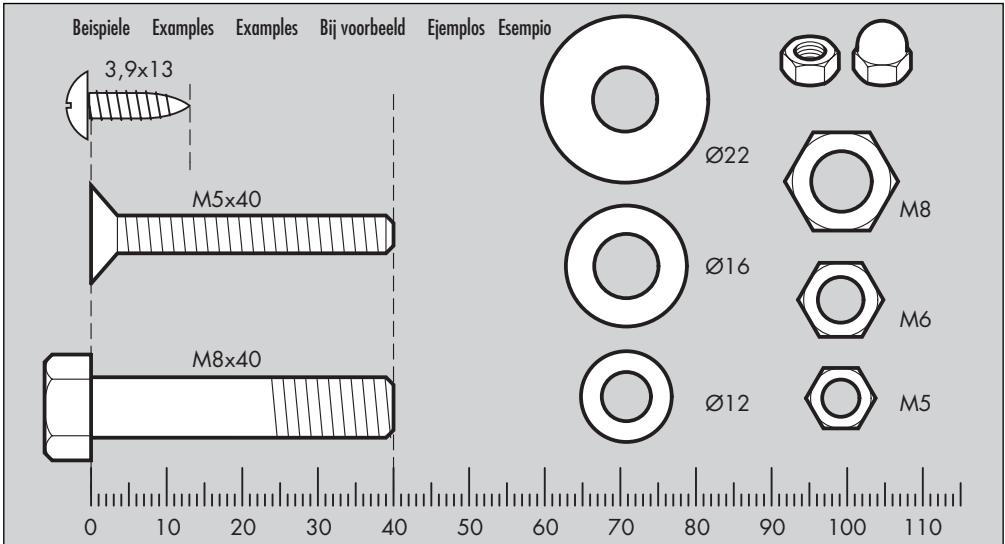
# Checklist

	1	✓
	1	
	1	
	1	
	2	
	1	
	1	

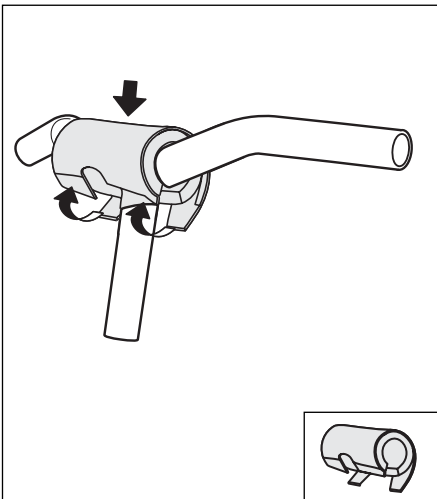
	1	
	1	
	1	
	1	
 M 6 x 25 mm	1	
 M 8 x 37 mm	1	
 $\varnothing 5 \times 15,5$	1	
	2	
	2	
	1	
	2	
	1	

# Messhilfe für Verschraubungsmaterial

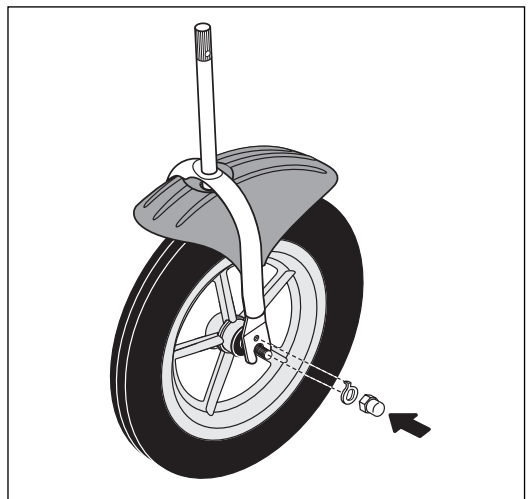
- GB Measuring help for screw connections  
 NL Meethulp voor schroefmateriaal  
 I Misure per i materiali di avvitamento  
F Gabarit pour système de serrage  
 E Ayuda para la medición de los tornillos  
 PL Wzornik do połączeń śrubowych

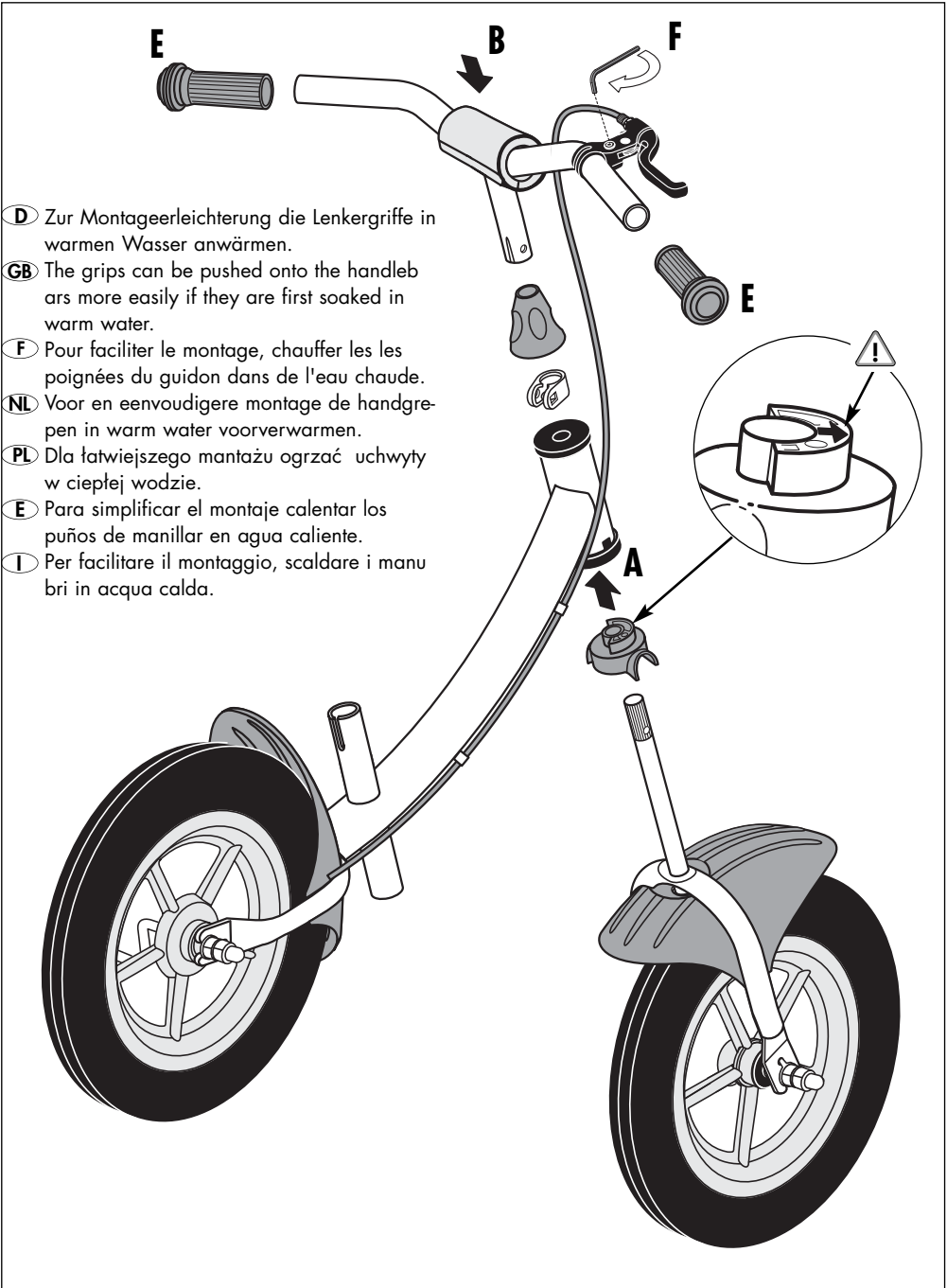


1



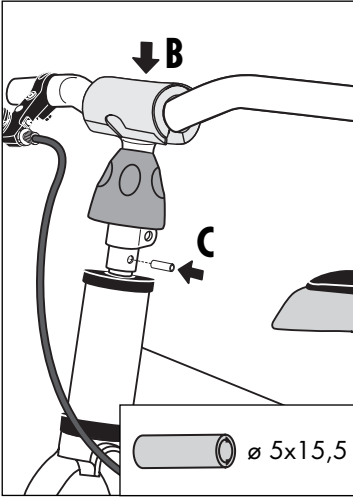
2



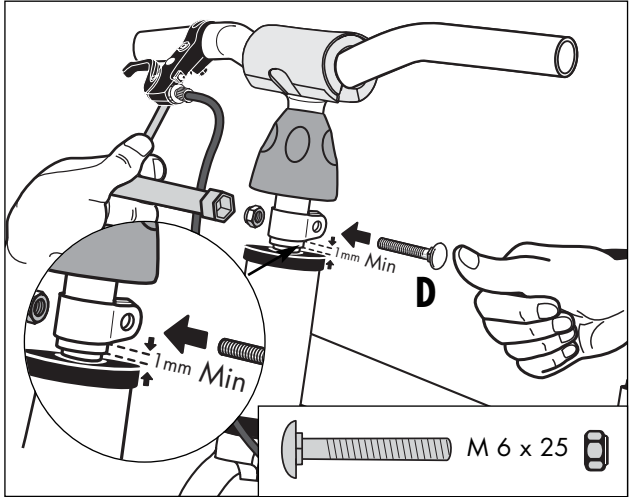




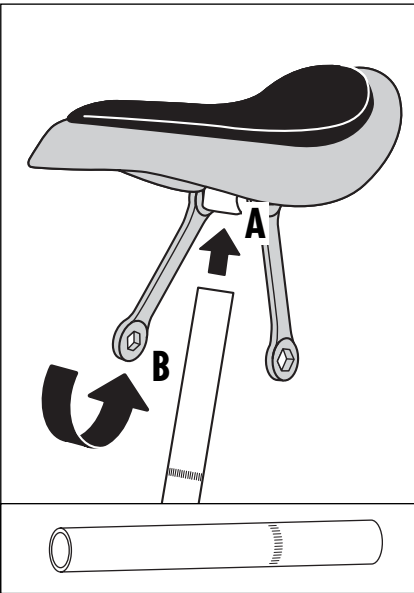
3b



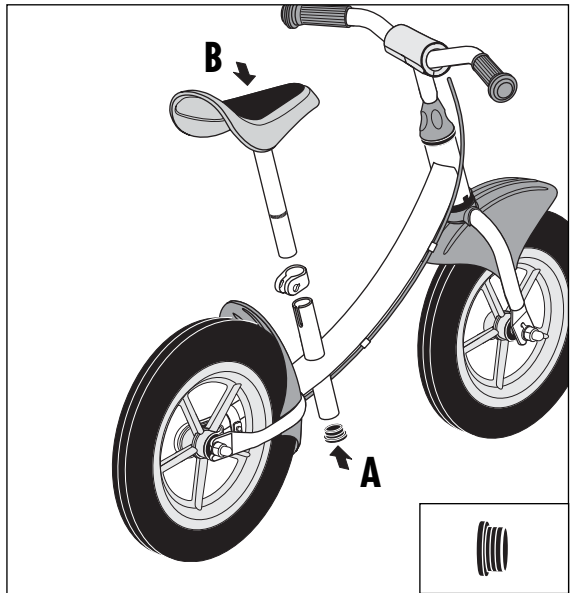
3c



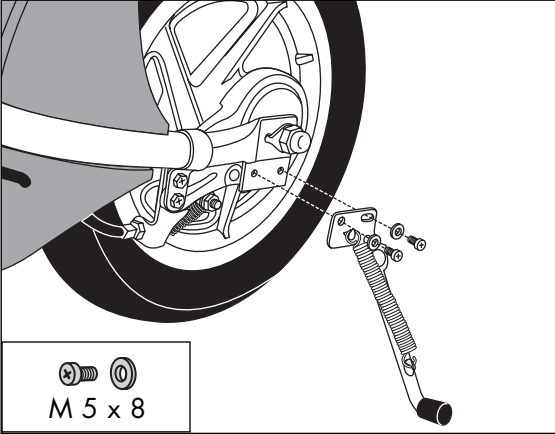
4



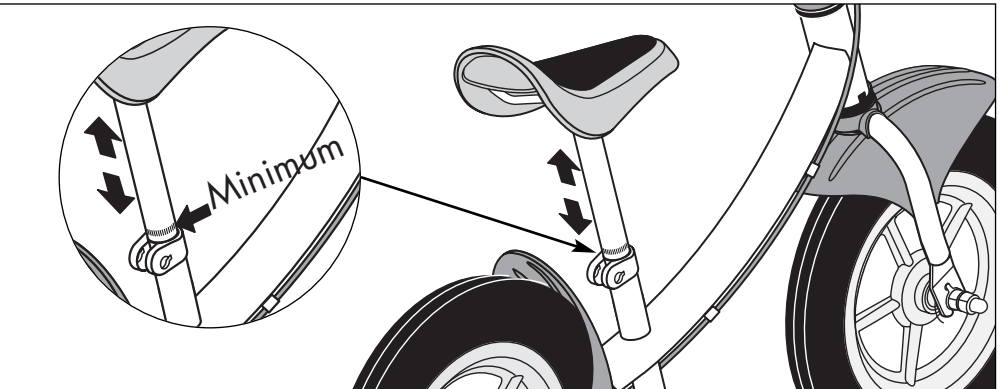
5



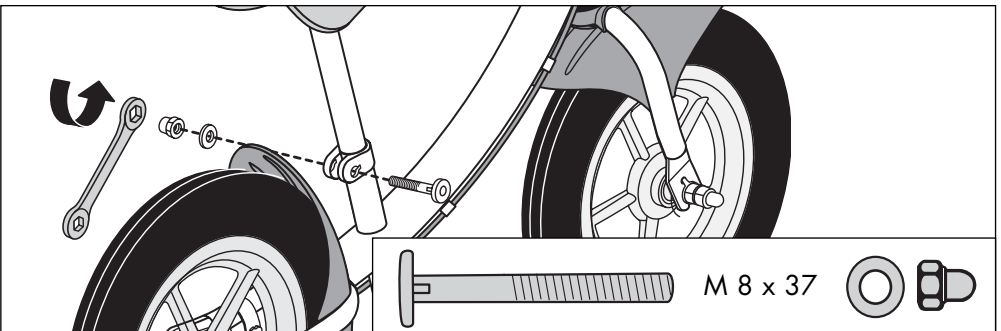
6



7



8



# Handhabung

**GB** Handling

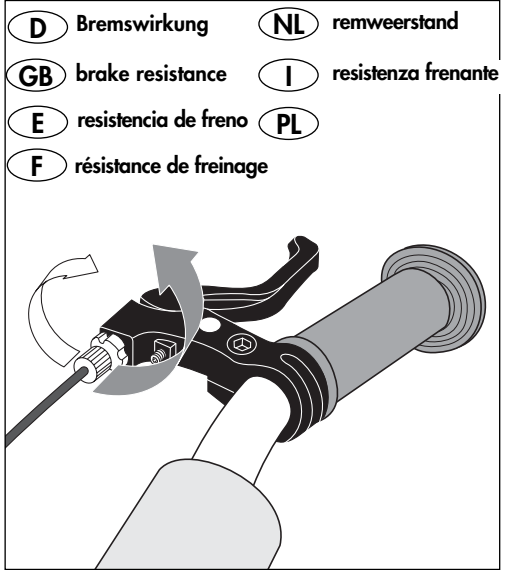
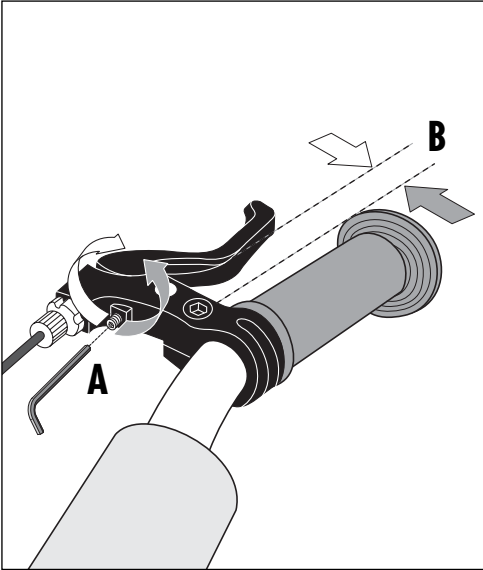
**NL** Handleiding

**I** Utilizzo

**F** Utilisation

**E** Aplicación

**PL** Zastosowanie



**D** Bremswirkung

**NL** remweerstand

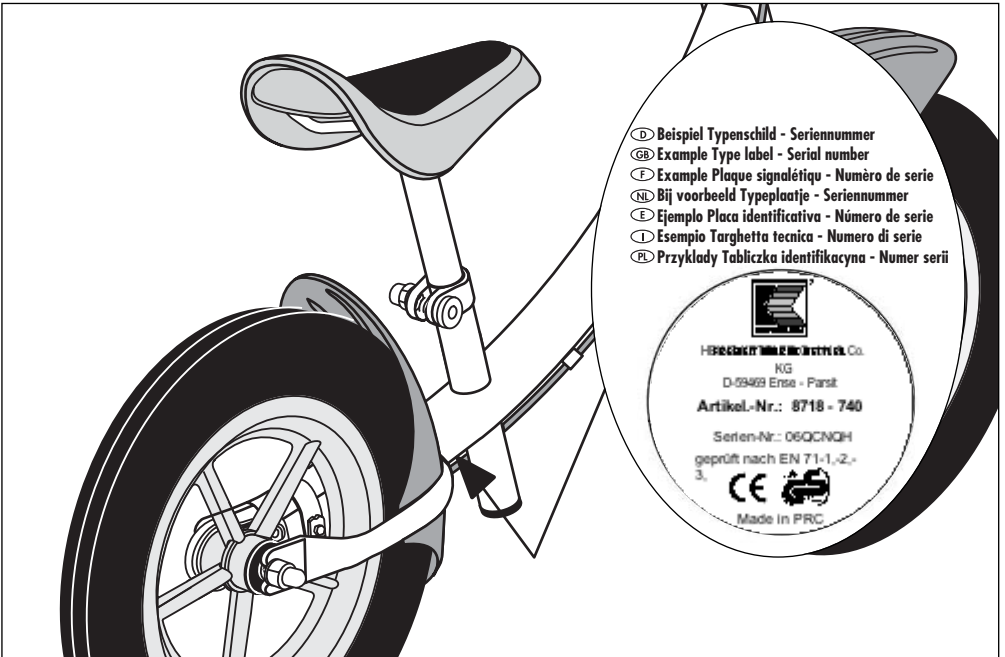
**GB** brake resistance

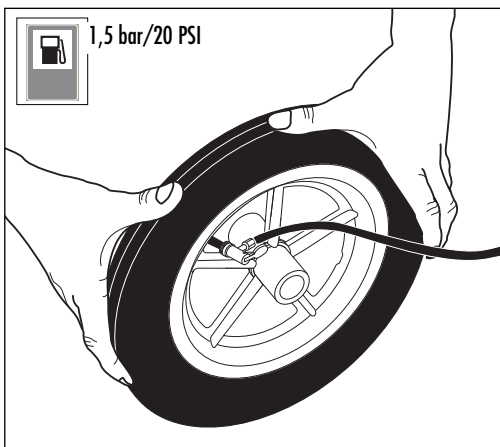
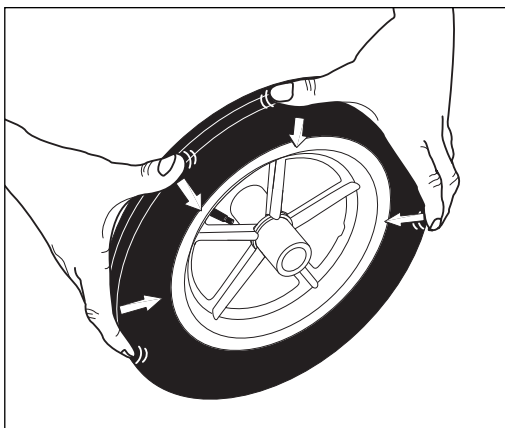
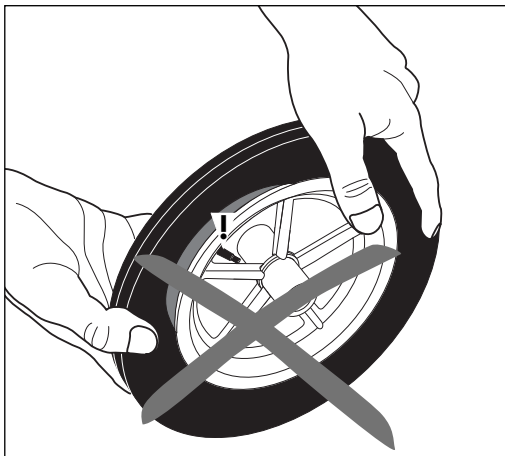
**I** resistenza frenate

**E** resistencia de freno

**PL**

**F** résistance de freinage





## D Luftbefüllung

- Der Reifen muss korrekt auf der Felge sitzen.
- Formen Sie den Reifen mit gleichmäßigem Druck während des Befüllens an den Felgenreand an.
- Benutzen Sie zum Befüllen einen Kompressor, wie Sie ihn z. B. an Tankstellen finden. Das Befüllen sollte schnell und gleichmäßig erfolgen.
- Ventilkappen immer fest anziehen und von Kindern fern halten (verschluckbare Kleinteile)!

## GB Re inflate

- The tyre needs to be seated correctly on the rim.
- Squeeze tyre to rim as illustrated to achieve correct seating of the tyre on the rim whilst inflating.
- It is advisable to inflate the tyre with the aid of a compressor usually found at your local garage. Tyre needs to be inflated quickly.
- tighten the valve caps at all times and keep off children's reach (Choking hazard - contains small parts).

## E Hinchado de los neumáticos

- El neumático deshinchado debe estar correctamente montado sobre la llanta.
- Durante el hinchado, adapte el neumático a los bordes de la llanta ejerciendo una presión uniforme sobre el mismo (ver ilustración).
- Hínche el neumático con un compresor, como el que p. ej. puede encontrar en una gasolinera. Un neumático debe ser hinchado con rapidez y de forma uniforme.
- Las válvulas de mariposa siempre se deben apretar fuertemente y mantenerse alejadas de niños (contiene piezas pequeñas que pueden tragarse)!

## PL Pompowanie

- Opona musi być prawidłowo osadzona na feldze.
- Podczas pompowania należy oponę równomiernie dociskać do krawędzi felgi.
- Do pompowania proszę stosować kompresor, na przykład taki, jak na stacji paliw. Pompować należy szybko i równomiernie.
- Zawsze mocno dokręć kapturki zaworów i trzymać z daleka od dzieci (drobne części, które mogą zostać połknięte)!

## **NL** Luchtbanden

- De rubber band dient correct op de velg te zitten.
- Duw de band op de velg zoals weergegeven, zodat de band tijdens het oppompen correct op de velg komt te zitten.
- Het is raadzaam de banden met behulp van een compressor op te pompen, dit kunt u doorgaans bij een garage in de buurt. De band dient snel opgepompt te worden.
- Ventieldooppen altijd goed vastdraaien en weghouden bij kinderen (kleine delen worden makkelijk ingeslikt)!

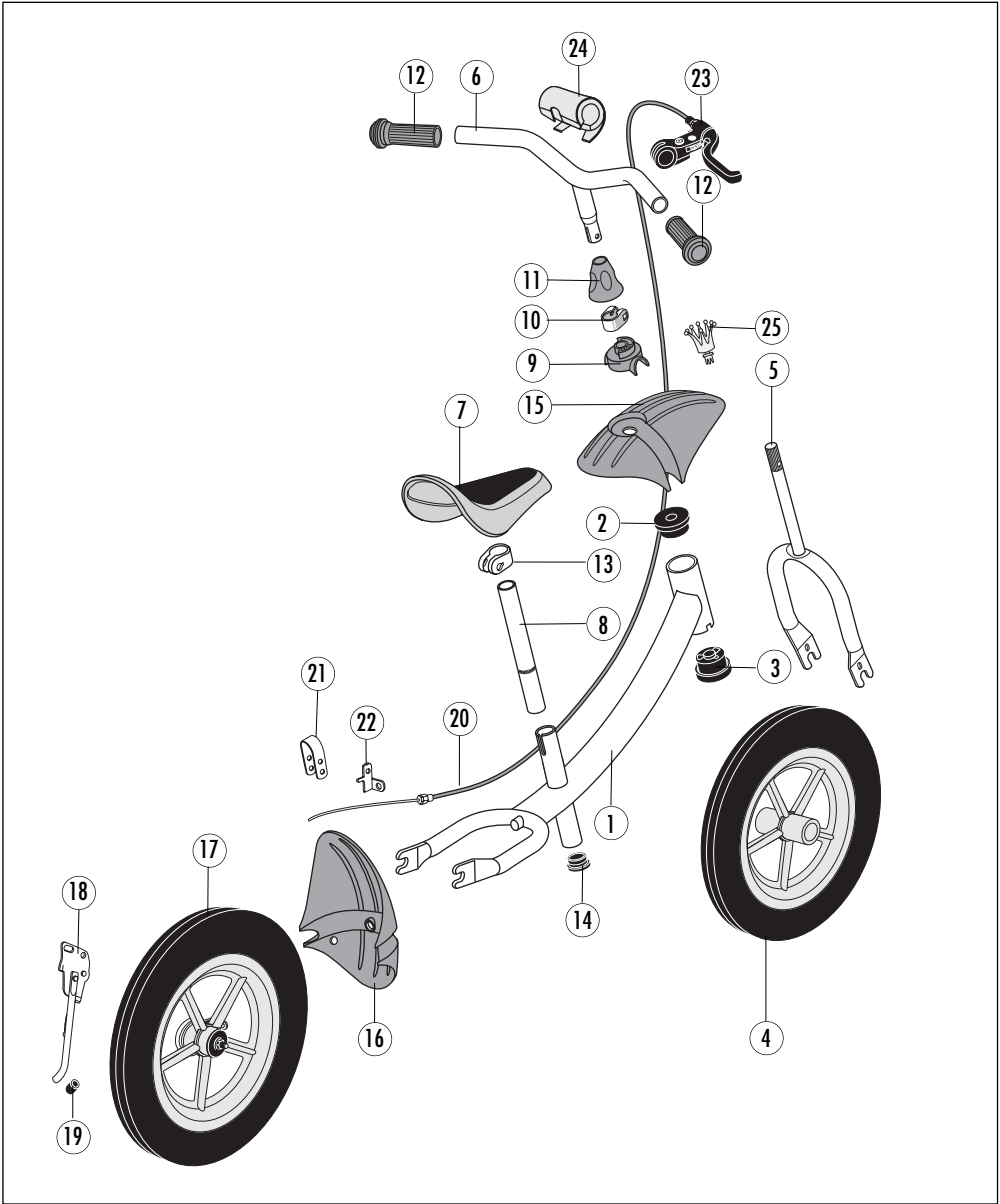
## **F** Gonflage

- Le pneu en caoutchouc doit être positionné correctement sur la jante.
- Appuyer le pneu sur la jante comme illustré afin d'obtenir le bon positionnement durant le gonflage.
- Il est conseillé de gonfler le pneu à l'aide d'un compresseur généralement disponible dans votre garage local. Un pneu nécessite un gonflage rapide.
- Toujours bien serrer les bouchons de valve et tenir hors de la portée des enfants (petites pièces risquant d'être avalées) !

## **I** Gonfiamento dei pneumatici

- Il pneumatico deve stare correttamente sul cerchione.
- Aggiustate il pneumatico premendo uniformemente ai lati del cerchione mentre si gonfia.
- Per gonfiare il pneumatico usate un compressore come quello in uso alle stazioni di servizio. Il gonfiamento deve avvenire rapidamente e uniformemente.
- Serrare sempre bene il tappo della valvola e tenerlo lontano dalla portata dei bambini (le piccole parti potrebbero essere ingerite)!

# Spare Parts Drawing 8718-710-720-730-750



## Spare Parts List 8718-710-720-730-750

Pos	Description	Qty	Princess	Frog	Surfer	Racer
			8718-710	8718-720	8718-730	8718-750
			Part No.	Part No.	Part No.	Part No.
1	Frame Base	1	68005127	68005128	68005129	68005125
2	Top Headtube Bushing	1	68005108	68005108	68005108	68005108
3	Bottom Headtube Bushing	1	68005109	68005109	68005109	68005109
4	Front Wheel	1	68005131	68005132	68005133	68005134
5	Fork	1	68005135	68005136	68005137	68005135
6	Handlebar	1	68005139	68005140	68005141	68005139
7	Saddle	1	68005143	68005144	68005145	68005150
8	Saddle Tube	1	68005095	68005095	68005095	68005095
9	Handlebar Limiter	1	68005096	68005096	68005096	68005101
10	Handlebar Clamp	1	68005099	68005099	68005099	68005099
11	Covering For Handlebar Clamp	1	68005147	68005148	68005149	68005170
12	Handlebar Grip	2	68005151	68005152	68005153	68005154
13	Saddle Clamp	1	68005112	68005112	68005112	68005112
14	Plug tube 25mm	1	68005100	68005100	68005100	68005100
15	Front Fender	1	68005155	68005156	68005157	68005171
16	Rear Fender	1	68005159	68005160	68005161	68005172
17	Rear Wheel	1	68005163	68005164	68005165	68005166
18	Kick Stand	1	68005116	68005116	68005116	68005116
19	Cap (for kickstand)	1	68005117	68005117	68005117	68005117
20	Brake Cable	1	68005118	68005118	68005118	68005118
21	Brake Clamp	1	68005119	68005119	68005119	68005119
22	Clamp for brake cable	1	68005120	68005120	68005120	68005120
23	Brake Handle	1	68005121	68005121	68005121	68005121
24	Safety Pad	1	68005167	68005168	68005169	68005173
25	Princess Crown ( -710 ONLY)	1	70121837	n/a	n/a	n/a
26	Hardware bag	1	68005124	68005124	68005124	68005124



FREIZEIT MARKE KETTLER





## Free Manuals Download Website

<http://myh66.com>

<http://usermanuals.us>

<http://www.somanuals.com>

<http://www.4manuals.cc>

<http://www.manual-lib.com>

<http://www.404manual.com>

<http://www.luxmanual.com>

<http://aubethermostatmanual.com>

Golf course search by state

<http://golfingnear.com>

Email search by domain

<http://emailbydomain.com>

Auto manuals search

<http://auto.somanuals.com>

TV manuals search

<http://tv.somanuals.com>