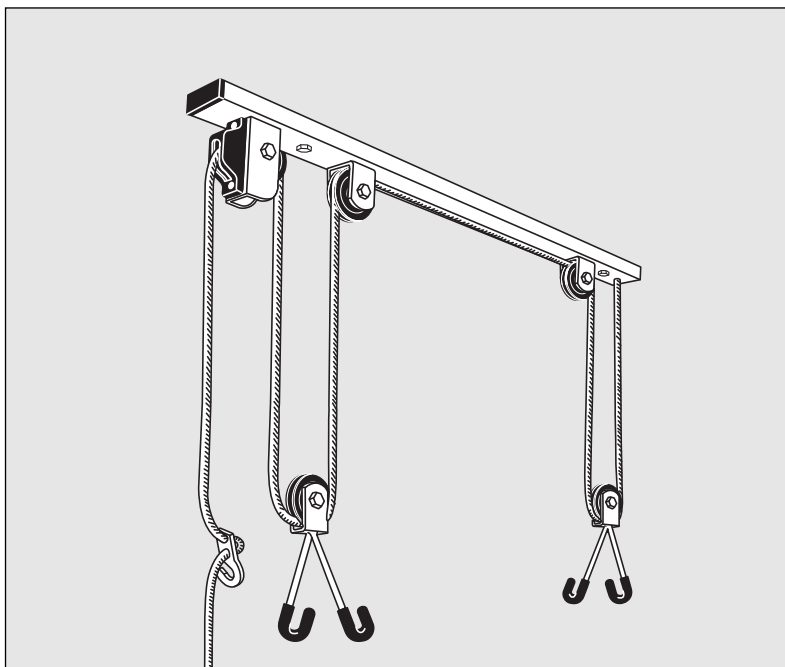


KETTLER

Spezi Extension Kit

Art. Nr. 8959-600

Der Umwelt zuliebe: wir drucken auf 100% Altpapier!



FREIZEIT MARKE KETTLER

Read these instructions carefully before assembling the product or using it for the first time. They contain important information for your safety and for the correct use and maintenance of this KETTLER product. Keep the instructions in a safe place for information or for ordering spare parts.

This KETTLER product has been designed in accordance with the latest standards of safety and subjected to constant quality monitoring. The data gained from this quality process is then incorporated in the development of our products. For this reason, we reserve the right to make changes in design and technology in order to offer our customers products of the highest standard of quality at all times. In spite of this, should you have any ground for complaint, please contact your KETTLER dealer.

For your safety

- ⚠ **ATTENTION!** While assembly of the product keep off children's reach (Choking hazard - contains small parts).
- First check to ensure that the ceiling is sufficiently strong. Attach the bracket to the ceiling, making sure that there is sufficient space between it and the wall. Dowels are supplied for attaching the bracket to concrete (dowel \varnothing 8mm x 40mm deep). Please ask your specialist how to attach the "Spezi" to any ceiling not made of concrete.
- Check cord, pulley rollers and hooks before suspending the load, and at regular intervals thereafter.
- Do not stand under the suspension gear when the bicycle is suspended.
- Maximum load: 25kg. Maximum lifting height 1,5m.
- Incorrect repairs and structural modifications (e.g. removal or replacement of original parts) may endanger the safety of the user.
- Damaged components may endanger your safety or reduce the lifetime of the equipment. For this reason, worn or damaged parts should be replaced immediately and the equipment taken out of use until this has been done. Use only original KETTLER spare parts.

Handling

- Additional securing of the cord is necessary when the bicycle is being cleaned or repaired in the suspended position. It is recommended to attach the cord to a convenient hook in the wall.

Assembly of the toy vehicle

- ⚠ **ATTENTION!** Ensure that your working area is free of possible sources of danger, for example don't leave any tools lying around. Always dispose packaging material in such a way that it may not cause any danger. There is always a **risk of suffocation** if children play with plastic bags!
- The toy vehicle must be assembled carefully by an adult person. Study the assembly instructions carefully before beginning work. Assemble the vehicle in the exact sequence shown by the letters in the diagrams. This is essential for the safe function and use of the toy vehicle.
- Please note that there is **always** a danger of injury when working with tools or doing manual work. Therefore please be careful when assembling this machine.

- Bolt all the parts together loosely at first, and check that they have been assembled correctly. Tighten the locknuts by hand until resistance is felt, **then use spanner to finally tighten nuts completely against resistance (locking device)**. Then check that all screw connections have been tightened firmly. **Attention:** once locknuts have been unscrewed they no longer function correctly (the **locking device is destroyed**), and must be replaced.

When ordering spare parts, always state the full article number, spare-partnumber, the quantity required and the S/N of the product (see handling).

Example order: Art. no. 08959-500 / spare-part no. 10100102 / 2 pieces / S/N

Please keep original packaging of this article, so that it may be used for transport at a later date, if necessary.

Goods may **only** be returned after prior arrangement and in (internal) packaging, which is safe for transportation, in the original box if possible.

It is important to provide a detailed defect description / damage report!

Important: spare part prices do not include fastening material; if fastening material (bolts, nuts, washers etc.) is required, this should be clearly stated on the order by adding the words „with fastening material“.

Waste Disposal

KETTLER products are recyclable. At the end of its useful life please dispose of this article correctly and safely (local refuse sites).



KETTLER International Inc.

1355 London Bridge Road
Virginia Beach, VA 23453



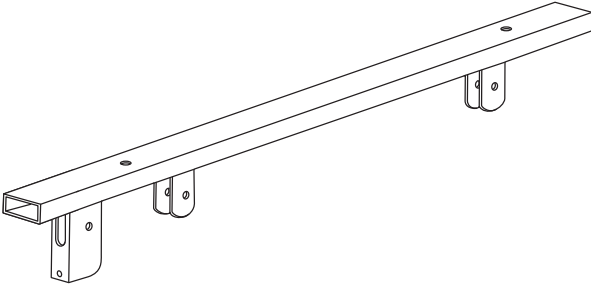

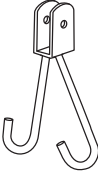













+1 888 253 8853



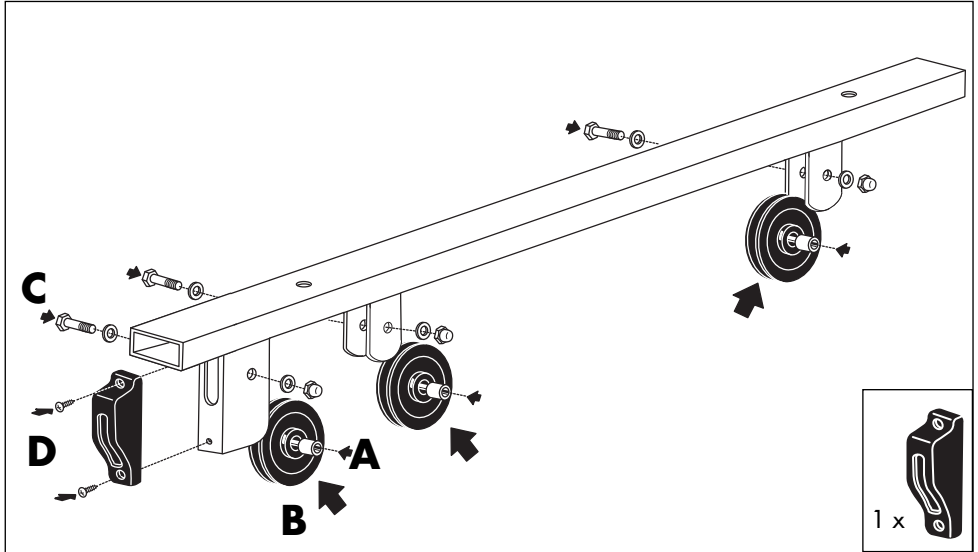
+1 888 222 9333







www.kettlerusa.com

Checkliste

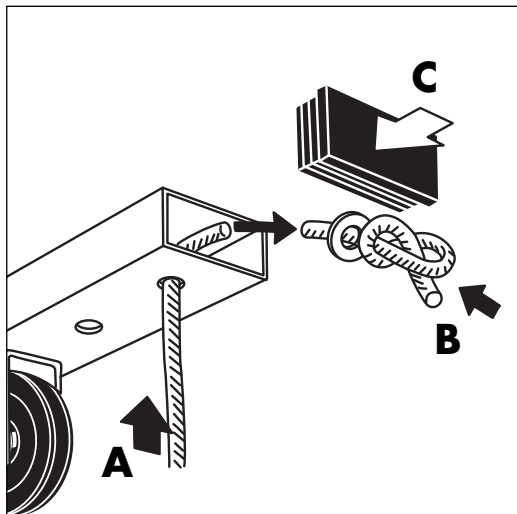
	1	✓
	1	
	2	
	4	
	5	
	2	
	1	
	5	13 x 2,4 x 18
 <p>Repeat steps of assembling Kettler® Spezi but use Kettler® Spezi Extension Kit line (40') in place of original line (26').</p>		
	2	6 x 60
	2	6,4 x 12,5 x 1,6
	2	S8
	5	M8 x 35mm
	11	8,3 x 16 x 2
	5	M8
	2	3,9 x 13



1



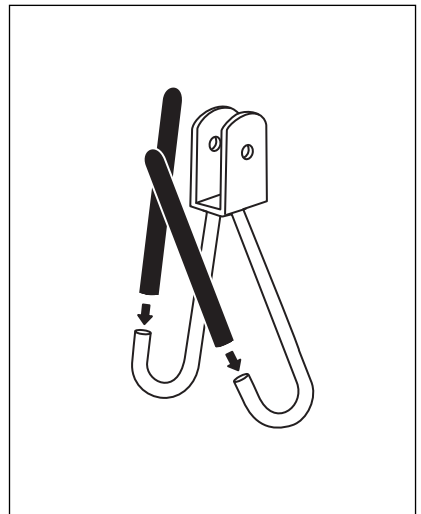
3 x  M8 x 35mm   13 x 2,4 x 18   M8 2 x  3,9 x 13

2



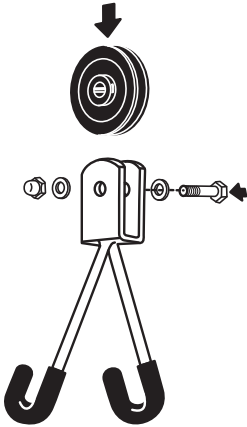
2 x  1 x  8,3 x 16 x 2

3



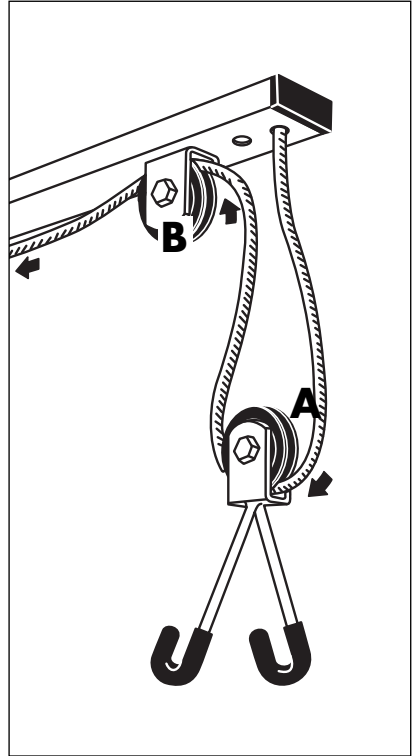
4 x 

4

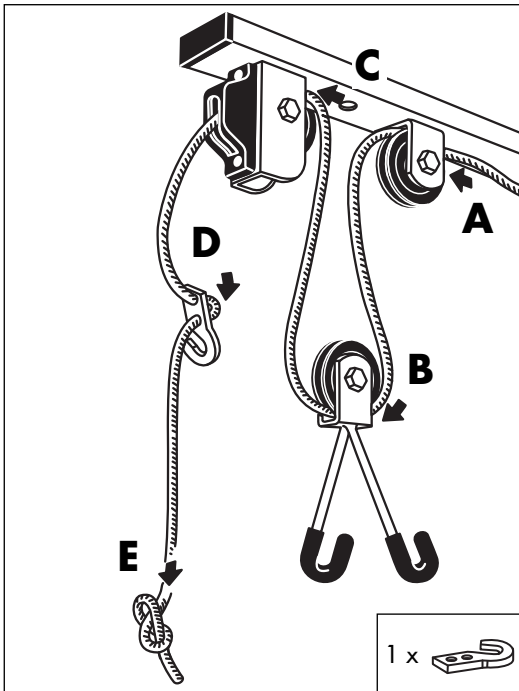


2 x  M8 x 35mm  13 x 2,4 x 18  M8

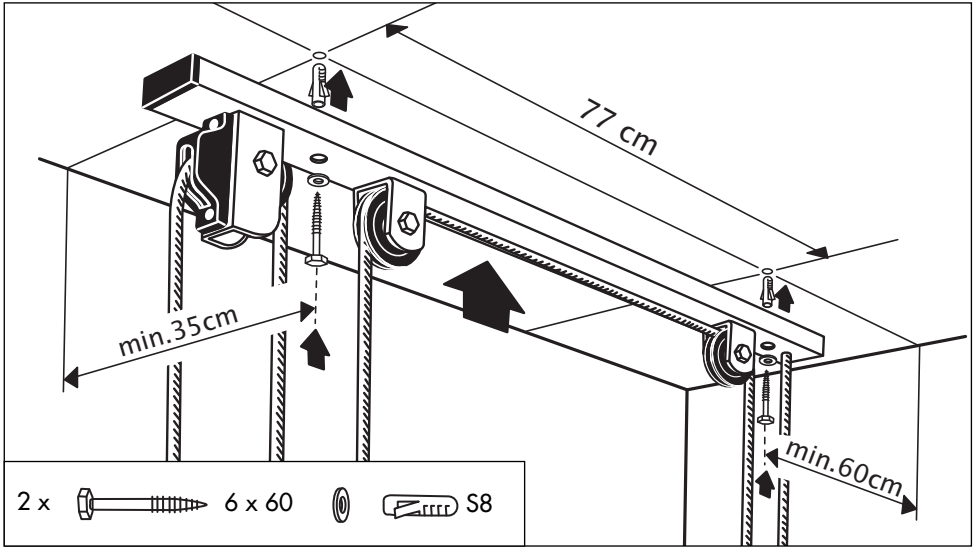
5



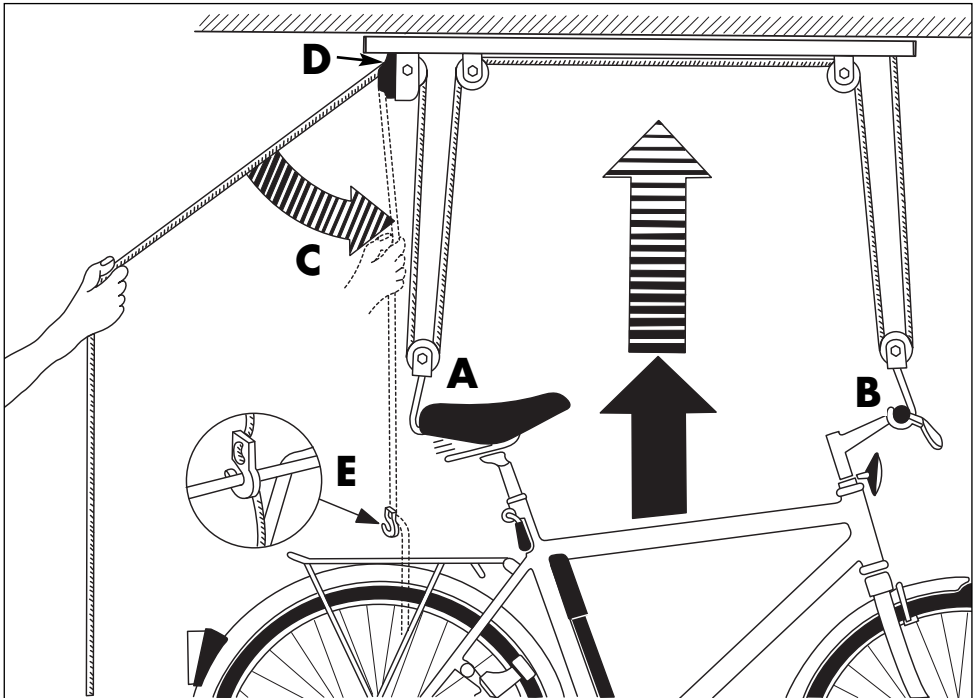
6



7



8





FREIZEIT MARKE KETTLER



Free Manuals Download Website

<http://myh66.com>

<http://usermanuals.us>

<http://www.somanuals.com>

<http://www.4manuals.cc>

<http://www.manual-lib.com>

<http://www.404manual.com>

<http://www.luxmanual.com>

<http://aubethermostatmanual.com>

Golf course search by state

<http://golfingnear.com>

Email search by domain

<http://emailbydomain.com>

Auto manuals search

<http://auto.somanuals.com>

TV manuals search

<http://tv.somanuals.com>