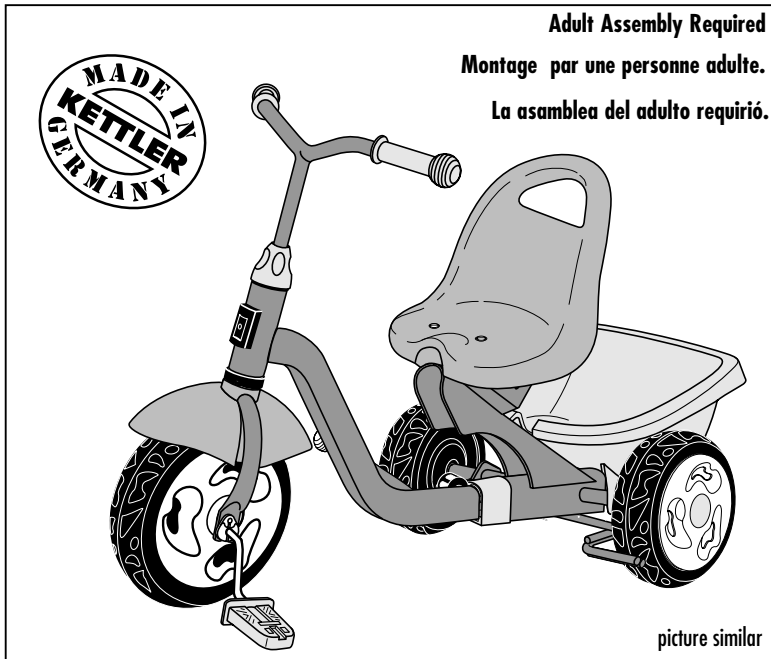


KETTLER®

Assembly Instructions

„KLASSIC“

Item # 08845-799



FREIZEIT MARKE KETTLER

KETTLER® International Inc. 1355 London Bridge Road Virginia Beach Virginia VA 23453 USA

www.kettlerusa.com

info@kettlerusa.com

Download from Www.Somanuals.com. All Manuals Search And Download.

Read these instructions carefully before assembling the product or using it for the first time. They contain important information for your safety and for the correct use and maintenance of this KETTLER® product. Keep the instructions in a safe place for information or for ordering spare parts.

This KETTLER® product has been designed in accordance with the latest standards of safety and subjected to constant quality monitoring. The data gained from this quality process is then incorporated in the development of our products. For this reason, we reserve the right to make changes in design and technology in order to offer our customers products of the highest standard of quality at all times. In spite of this, should you have any ground for complaint, please contact KETTLER®.

For your safety

- This toy vehicle should be used for its intended purpose only, i.e. one (1) child only. It should not be used in any other way, as this may be dangerous. The manufacturer cannot be held liable for damage or injury caused by incorrect use.
- This item is not intended for commercial use.
- This product is a toy and is not suitable for use in traffic or on public roads.
- Always keep a watchful eye on your child in order to avoid risks by thoughtless and hasty movements.
- Please care for the fact that the tricycle is only used on safe ground.
- The tricycle is an unlighted play implement. Its use in the dark is dangerous.
- In case of a sudden and/or strong turn of the handlebar the tricycle could be caused to tip. Danger of injuries!
- The tricycle must not be connected with other vehicles, sports or similar devices and not be driven/pulled by them. Never subject your child on the tricycle to speeds exceeding walking pace!
- We recommend that a child using the tricycle should wear a child's bicycle helmet.
- Damaged components may endanger the safety of your child or shorten the lifespan of the product. Inspect it at regular intervals to ensure that none of the components are damaged and that none of the bolts or other joints have worked loose.
- Replace worn or damaged parts immediately and ensure that the product is not used again until this has been done. If any parts require replacement, use only original spares manufactured by KETTLER®.
- This child's wheeled toy conforms to the stipulated safety regulations European standard EN 71-1/3 („Safety regulations for childrens toys“, max. weight of user: 110 lbs. The proprietary KETTLER® tunnel tubing alone has a 400lb weight limit; this does not include wheel axle, fork, etc.). Incorrect repairs or alterations (removal of original parts or addition of other parts etc.) may be a source of danger to the user.
- This product is suitable for children between 1 - 5 years.
- **⚠ Caution:** While assembly of the product keep off children's reach (Choking hazard - contains small parts).

Use of the Toy

- **WARNING:** Adult supervision is required. Never use near steps, slopes, driveways, hills,

roadways, alleys or swimming pool areas. Always wear shoes. Never allow more than one rider (without a tandem seat). The use of protective gear and a Safety Helmet is highly recommended.

- Ensure that the toy vehicle is not used until it has been properly assembled and checked by an adult person.
- In case of tricycles without a free-wheel consider the fact that the pedals will rotate even when the tricycle is pushed.
- Do not transport any objects on the tricycle.
- Always adjust the use of the tricycle to the conditions encountered.
- Tricycles do not possess a continuously effective brake system. Therefore, safeguard the tricycle against rolling away
- Never pull the tricycle behind you as long as a child is seated on it.
- Instruct your child how to use the vehicle correctly and draw attention to possible sources of danger.
- Although dangerous situations are unlikely to occur if the toy is used correctly, children at play should, if possible, be supervised.
- Please bear in mind that there is **always a danger** of children injuring themselves while using swings, climbing frames, toy vehicles or similar equipment.
- When using the toy vehicle, the user should always wear strong shoes.
- Instruct your child how to use the vehicle correctly and draw attention to possible sources of danger.
- When children are at play, situations may arise which cannot be predicted by the manufacturer and for which he cannot be held responsible.
- Before use, always check all screws and plug-in connections as well as respective safety devices fit correctly.
- Never use corrosive or abrasive substances to clean the toy. Never use substances which may cause pollution of the environment.
- Lubricate the bearing sleeves of the wheels and the handlebars with a few drops of oil every two or three months.
- Due to the nature of materials used in pneumatic tires on KETTLER® toys, it is not recommended for the product to be left in any one place for too long where solvents or other chemicals, i. e. petrol, may lie. This may result in a chemical reaction, which could cause the tires to mark the surface such as a vinyl flooring. If in doubt put something underneath the wheels to cover the floor.
- For models with push bars: Always ensure that the push bar fits correctly in the adaptor, and locks. Do not hang any weights on the bar! The vehicle may tip over, and your child may be hurt. The push bar is intended for adult use only, do not pass responsibility for children on to other children. For free play time take the push bar off for safety reasons.

Assembly of the toy vehicle

- The toy vehicle must be assembled carefully by an adult person. Study the assembly instructions carefully before beginning work. Assemble the vehicle in the exact sequence shown by the letters in the diagrams. This is essential for the safe function and use of the tricycle.
- Please note that there is **always** a danger of injury when working with tools or doing manual work. Therefore please be careful when assembling this machine.

- Ensure that your working area is free of possible sources of danger, for example don't leave any tools lying around. Always dispose packaging material in such a way that it may not cause any danger. There is always a **risk of suffocation** if children play with plastic bags!
- Bolt all the parts together loosely at first, and check that they have been assembled correctly. Tighten the locknuts by hand until resistance is felt, **then use wrench to finally tighten nuts completely against resistance (locking device)**. Then check that all screw connections have been tightened firmly. **Attention:** once locknuts have been unscrewed they no longer function correctly (the **locking device is destroyed**), and must be replaced.
- The grips can be pushed onto the handlebars more easily if they are first soaked in warm water.
- Please keep original packaging of this article, so that it may be used for transport at a later date, if necessary. Goods may **only** be returned after prior arrangement and in (internal) packaging, which is safe for transportation, in the original box if possible. It is important to provide a detailed defect description / damage report!
- For technical reasons, we reserve the right to carry out preliminary assembly work (e.g. addition of tubing plugs).
- When ordering spare parts, always state the full item number, spare-part number, the quantity required and the serial number of the product..

Example order: item # 08845-799 / spare part no. 10100006 / 1 piece/ S/N ...

Important: spare part prices do not include fastening material; if fastening material (bolts, nuts, washers etc.) is required, this should be clearly stated on the order by adding the words „with fastening material“.

KETTLER limited warranty

THERE ARE NO WARRANTIES, EXPRESSED OR IMPLIED, MADE BY EITHER THE DISTRIBUTOR OR THE MANUFACTURER ON KETTLER PRODUCTS, EXCEPT THE MANUFACTURER'S LIMITED WARRANTY AGAINST DEFECTS IN MATERIAL SET OUT BELOW:

This KETTLER Limited Warranty applies to products sold through the KETTLER Authorized Dealer Network to the original retail purchaser and authenticated by proof of purchase from a retailer located in the United States. Any shipments made under this warranty will be shipped to the United States only. Any shipment outside of the United States will be at the sole cost of the customer. This KETTLER Limited Warranty is a manufacturer's warranty and is not changed or modified by additional warranties extended by individual retailers at the point of sale. Manufacturer warrants this product to be free from defects in material at the time of the product's tender of delivery for a period of 3 years for residential use. This Limited Warranty is not transferable and does not cover normal wear and tear (including, but not limited to, damage and wear to tires, power shocks, drive belts and other non-durable parts). The liability of the manufacturer under this Limited Warranty shall not include any liability for direct, indirect, or consequential damages resulting from the defect. This Limited Warranty is void if the product is damaged by accident, unreasonable use, improper service, failure to follow instructions provided, modification from its original state, or other causes determined not arising out of defects in material.



This warranty gives you specific legal rights. Should this product become defective due to material within the warranty period, contact KETTLER Parts & Service Dept. by phone at 866.804.0440, fax at 757.563.9273, or e-mail at parts@kettlerusa.com.

THIS LIMITED WARRANTY IS EXPRESSLY IN LIEU OF ANY OTHER WARRANTIES, EXPRESSED OR IMPLIED, INCLUDING ANY IMPLIED WARRANTY OF MERCHANTABILITY OR FITNESS FOR A PARTICULAR PURPOSE, AND OF ANY OTHER OBLIGATIONS OR LIABILITY ON THE PART OF THE MANUFACTURER. KETTLER NEITHER ASSUMES NOR AUTHORIZES ANY OTHER PERSON TO ASSUME FOR IT ANY OTHER LIABILITY IN CONNECTION WITH SUCH PRODUCTS.

KETTLER® International Inc. 1355 London Bridge Road · Virginia Beach VA 23453
For parts or service ONLY call 1-866-804-0440 or send e-mail to:

parts@kettlerusa.com

call (866) 804-0440 fax (757) 563-9273.

www.kettlerusa.com

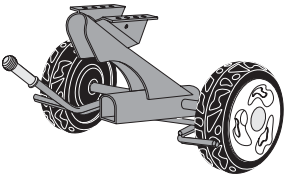
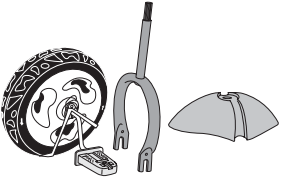
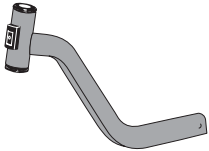

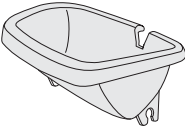
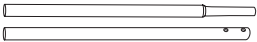


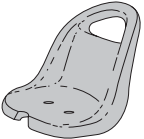
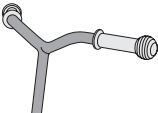
info@kettlerusa.com
















The manufacturer reserves the right to make changes reflecting product or other technical advances. The content of these instructions is accurate at the date of printing.

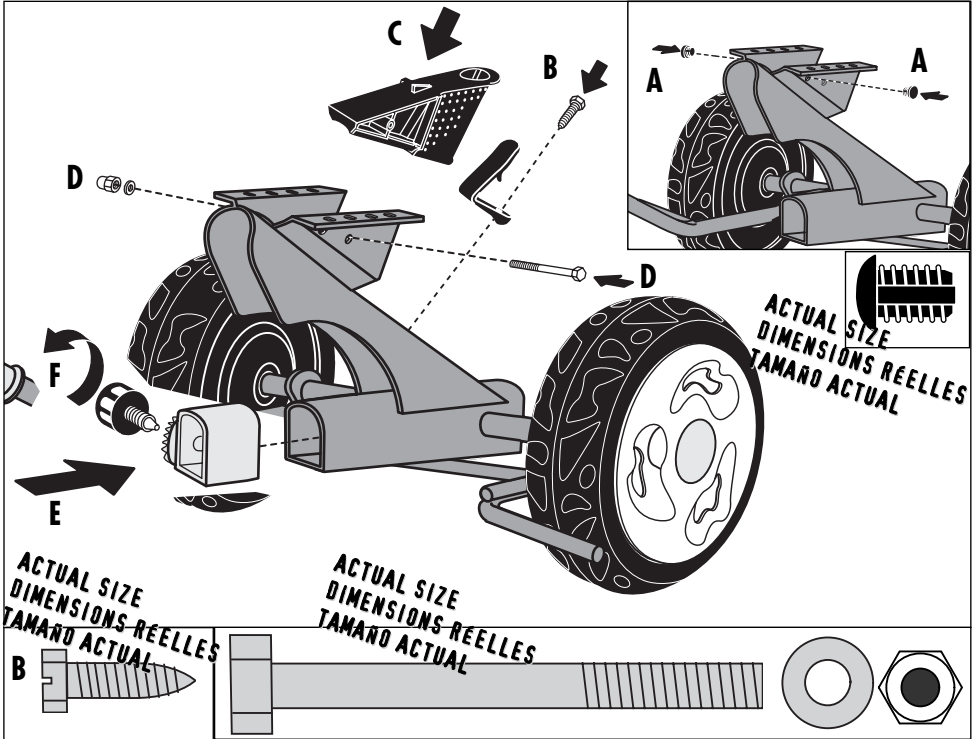
Checklist

Liste de contrôle

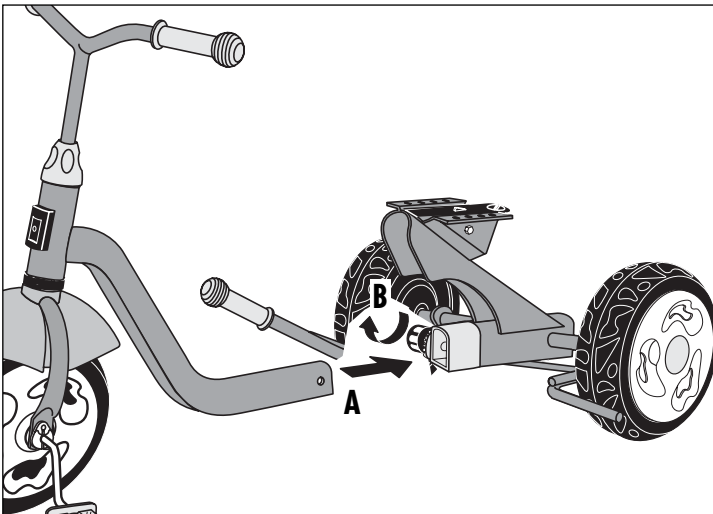
Lista de verificación

	1	✓
	1 1 1	
	1	
	1	
	1	
	1/1	
	1/1	
	1	
	1	
	1	

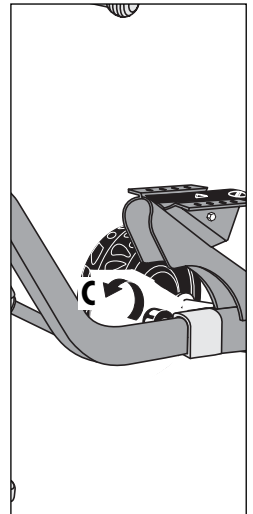
		1	
		1	
		1	
		1	
 M12		1	
 M6x25mm		1	
 M6x35mm		2	
 M6x65mm		1	
		4	
 4,8 x16 mm		1	
 M5x10mm		2	
 4,2 x16 mm		5	
		1	
		1	
		1	



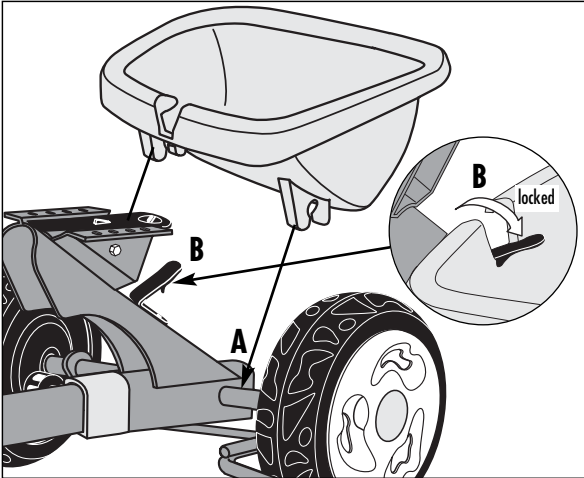
3a



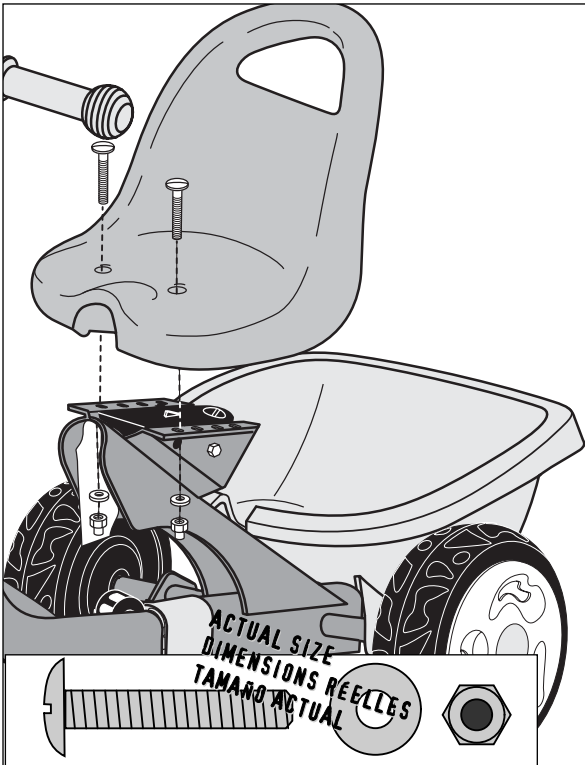
3b



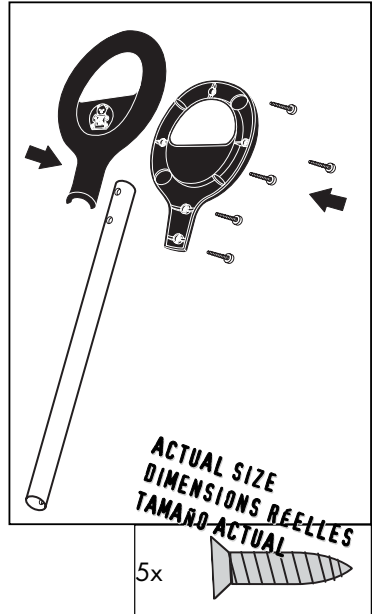
4



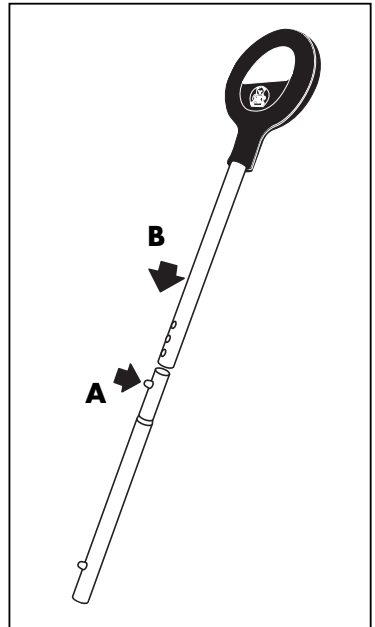
5



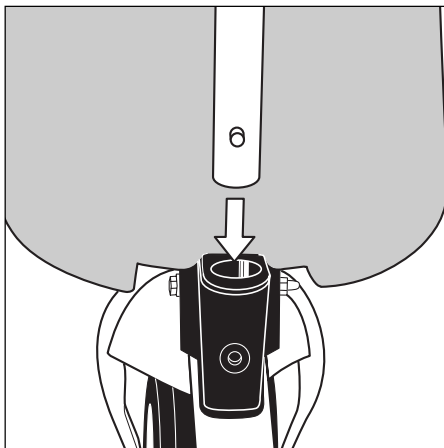
6



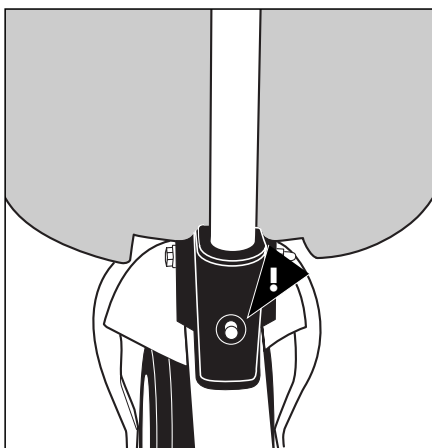
7



8



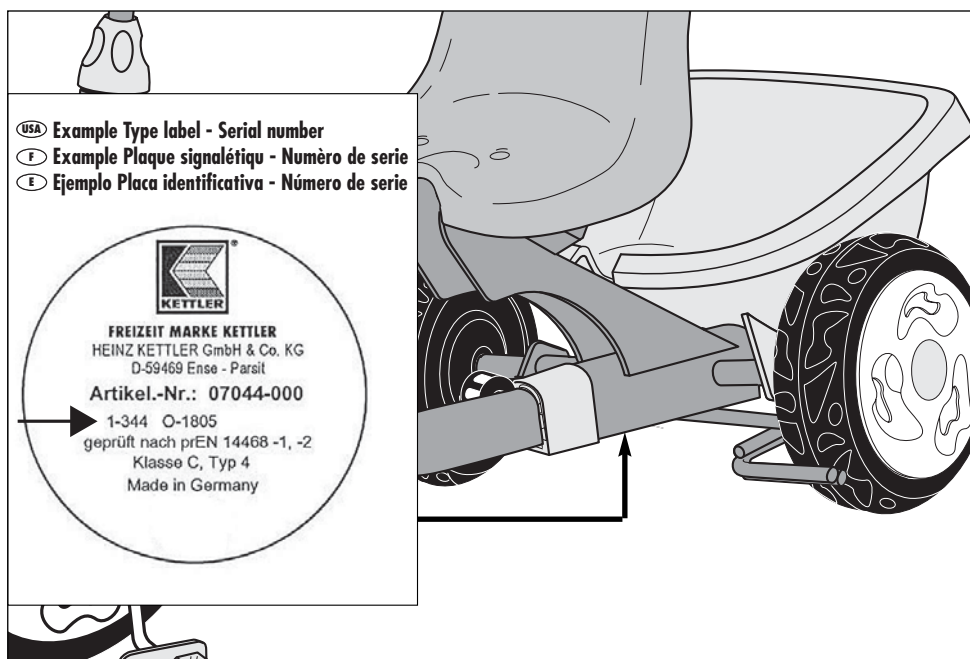
9



Type label

Plaque signalétique

Placa identificativa



Handling

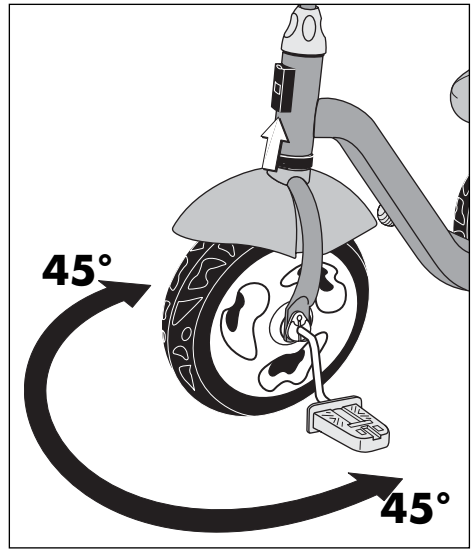
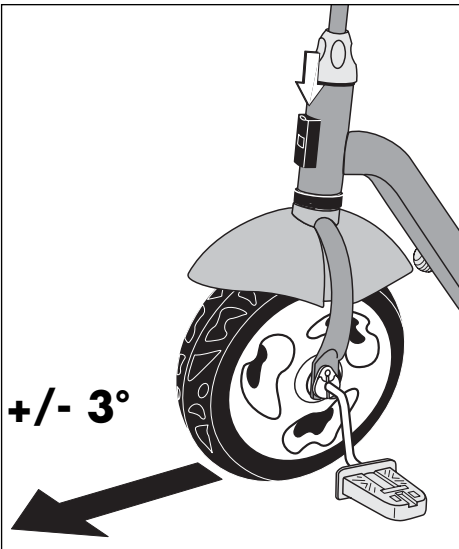
Manutention

Manejo

Handlebar limiter

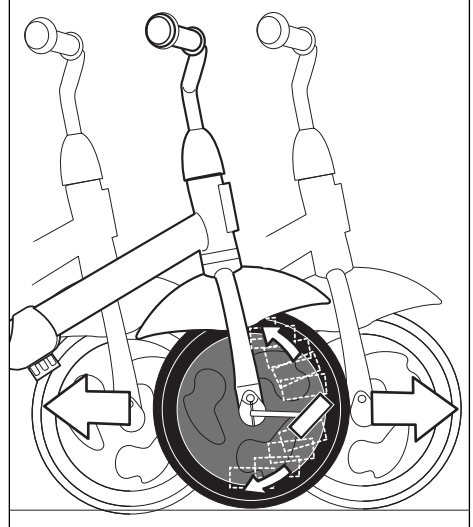
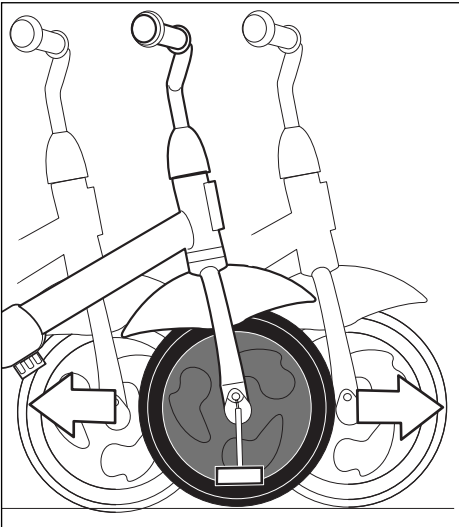
Angle de braquage limité

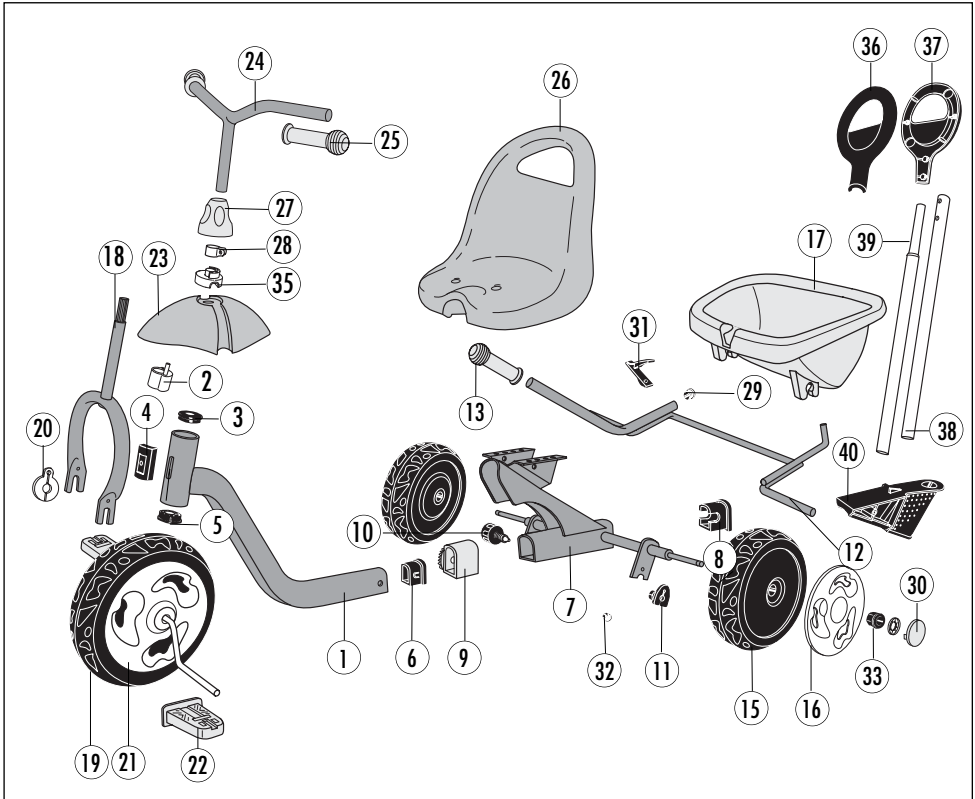
Limitar del volante



Automatic free wheel
Llanta libre automática
Automatisme de roue libre

Automatic fixed wheel
Automatisme de roue fixée
Llanta fija automática





When ordering spare parts, always state the full item number, spare part number, the quantity required and the serial number of the product.

Example order: item # 08845-799/spare part no. 10112010 /1 piece/ serial number of the product.

Important: spare part prices do not include fastening material; if fastening material (bolts, nuts, washers etc.) is required, this should be clearly stated on the order by adding the words „with fastening material“.

KETTLER® International Inc. 1355 London Bridge Road · Virginia Beach · Virginia VA
23453 USA

For parts or service ONLY call 1-866-804-0440 or send e-mail to:

parts@kettlerusa.com

call (866) 804-0440 fax (757) 563-9273.

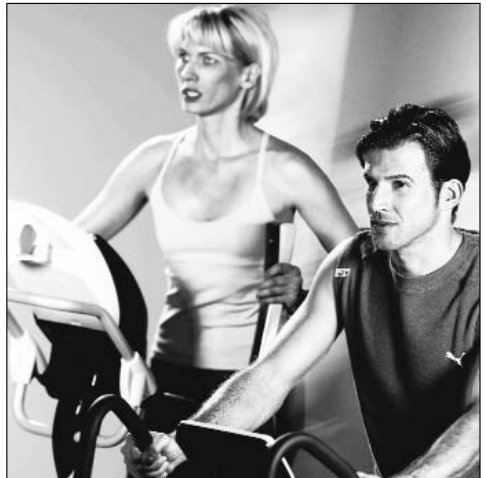
www.kettlerusa.com

info@kettlerusa.com

pos.	description	qty	part no.
1	front frame complete	1	91611419
2	locking pin complete	1	91640021
3	handlebar bushing	1	70122051
4	parental control locking mechanism	1	70121770
5	guide bushing for ø42mm	1	70121560
6	front frame plug	1	70128425
7	rear frame	1	91611008
8	plug	1	70121432
9	adjustment sleeve	1	70121435
10	quick release knob M12	1	91670058
11	axle bearing	2	10116029
12	brake complete	1	91640031
13	brake grip	1	70121571
14	lacquered cap, w/o fig.	1	10101105
15	running wheel	2	15170087
16	cap for running wheel	2	70121845
17	sand bucket	1	70122088
18	wheel fork	1	91620316
19	front wheel complete	1	15170081
20	front wheel bearing	2	10116032
21	cap for front wheel	2	70121856
22	pedal	2	70121541
23	mudguard	1	70121467
24	handlebar with grips	1	91650258
25	grips	2	10111023
26	molded seat	1	70120241
27	covering	1	70121811
28	handlebar clamp	1	97201280
29	plug for ø18mm	1	10100006
30	hubcap	2	70121820
31	release latch for bucket	1	70122089
32	plug for ø 8 mm	4	10100169
33	hexagon bushings	4	70121470
34	hardware bag	1	91680522
35	handlebar limiter	1	70121396
36	grip, upper part (3378)	1	70121573
37	grip, lower part	1	70121574
38	pushbar, upper part	1	97100399
39	pushbar, lower part	1	97100400
40	adaptor (3493)	1	70125638



FREIZEIT MARKE KETTLER



Free Manuals Download Website

<http://myh66.com>

<http://usermanuals.us>

<http://www.somanuals.com>

<http://www.4manuals.cc>

<http://www.manual-lib.com>

<http://www.404manual.com>

<http://www.luxmanual.com>

<http://aubethermostatmanual.com>

Golf course search by state

<http://golfingnear.com>

Email search by domain

<http://emailbydomain.com>

Auto manuals search

<http://auto.somanuals.com>

TV manuals search

<http://tv.somanuals.com>