



Verso® Juvenile Bicycle Instructions

16" Starlet

Model # KT902-181

16" Falcon

Model # KT902-189



Printed on 100% recycled paper.

Models Vary

KETTLER® International, Inc.
1355 London bridge Road
Virginia Beach, Virginia 23453 USA
Parts/Service 866-804-0440
parts@KETTLEUSA.com
www.KETTLEUSA.com

Please visit our website for further assembly instructions

Introduction



WARNING:

- Check operation of brakes every time before riding your bicycle.
- The rider must wear a helmet.
- Do not ride at night.
- Check on local bicycle laws before bicycle is ridden.
- Read the entire Owner's Manual before bicycle is assembled, ridden or maintenance work is performed.
- **DO NOT RETURN THIS UNIT TO THE STORE -**
If you have problems or questions, trained service representatives are available to help you—please contact Parts & Service, 866-804-0440 or parts@kettlerusa.com.

This Owner's Manual is made for several different bicycles. All features and components are not included on all models. Some of the illustrations may not look exactly like the parts of the bicycle, but the instructions are correct. If the bicycle has any parts that are not described in this manual, look for separate "Special Instructions" that are supplied with the bicycle.

Do not dispose of the carton and packaging until you complete the assembly of the bicycle. This can prevent accidentally discarding parts of the bicycle.

NOTE: All of the directions (right, left, front, rear, etc.) in this manual are as seen by the rider while seated on the bicycle.

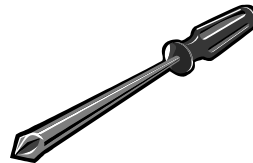
Tools Needed



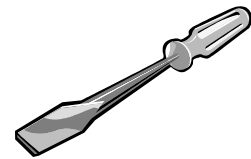
Small Adjustable Wrench



Large Adjustable Wrench



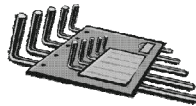
Flathead Screwdriver



Phillipshead Screwdriver



Slip-Joint Pliers



Metric Allen Wrenches

Important Note

All features & components are not included on all models. Many models come with accessories such as water bottles, handlebar baskets, etc...that may affect the order of the assembly of the bicycle. Please look over all of the pieces that come with your new bicycle and refer to the back section of the manual to see if there are any special requirements associated with that accessory before beginning assembly.

Introduction cont'd

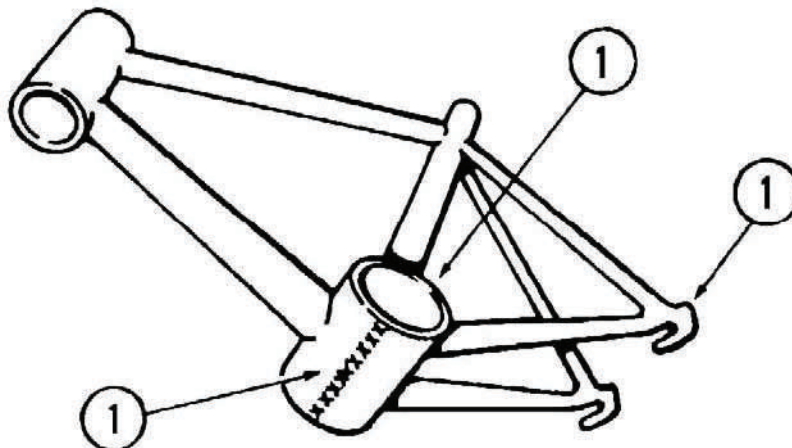
Owner's Bicycle Identification Record

NOTE: This information is only available on the bicycle itself. It is not available from KETTLER®. Each Verso by Kettler™ bicycle has a model / serial number stamped into the frame or printed on a label. The model / serial number ① can be found on the bottom of the crank housing, the top of the crank housing or on the rear of the bicycle as shown. Write this number below for future reference. If the bicycle is lost or stolen, give this number and a description of the bicycle to the police. This will help them find and identify your bicycle.

You will also need this number if you order parts or request service information from our Parts & Service Department.

Model / Serial Number

Purchase Date _____ Model Name _____ Serial Number _____



Safety Information

Meanings of the Safety Instructions



This symbol is important! See the word “**CAUTION**” or “**WARNING**” which follows it.

The word “**CAUTION**” is before mechanical instructions. If you do not obey these instructions, mechanical damage or failure of a part of the bicycle can occur.

The word “**WARNING**” is before personal safety instructions. If you do not obey these instructions, injury to the rider or others can occur.

Introduction *cont'd*

Limited Warranty

THERE ARE NO WARRANTIES, EXPRESSED OR IMPLIED, MADE BY EITHER THE DISTRIBUTOR OR THE MANUFACTURER ON KETTLER PRODUCTS, EXCEPT THE MANUFACTURER'S LIMITED WARRANTY AGAINST DEFECTS IN MATERIAL SET OUT BELOW

This KETTLER Limited Warranty applies to products sold through the KETTLER Authorized Dealer Network to the original retail purchaser and authenticated by proof of purchase from the retailer located in the United States. Any shipments made under this warranty will be shipped to the United States only. Any shipment outside of the United States will be at the sole cost of the customer. This KETTLER Limited Warranty is a manufacturer's warranty and is not changed or modified by additional warranties extended by individual retailers at the point of sale. Manufacturer warrants this product to be free from defects in material at the time of the product's tender of delivery for a period of 1 year for parts and 3 years on the frame for residential use only. This Limited Warranty is not transferable and does not cover normal wear and tear (including but not limited to, damage and wear to tires, suspension shocks, drive chains and other non-durable parts). The liability of the manufacturer under this Limited Warranty shall not include any liability for direct, indirect or consequential damages resulting from the defect. This Limited Warranty is void if the product is damaged by accident, unreasonable use, improper service, failure to follow instructions provided, modification from its original state or other causes determined not arising out of defects in material.

This warranty gives you specific legal rights. Should this product become defective due to material within the warranty period, contact KETTLER Parts & Service Dept. by phone at 866-804-0440, fax at 757-563-9273 or e-mail at parts@kettlerusa.com.

THIS LIMITED WARRANTY IS EXPRESSLY IN LIEU OF ANY OTHER WARRANTIES, EXPRESSED OR IMPLIED, INCLUDING ANY IMPLIED WARRANTY OF MERCHANTABILITY OR FITNESS FOR A PARTICULAR PURPOSE AND OF ANY OTHER OBLIGATIONS OR LIABILITY ON THE PART OF THE MANUFACTURER. KETTLER NEITHER ASSUMES NOR AUTHORIZES ANY OTHER PERSON TO ASSUME FOR IT ANY OTHER LIABILITY IN CONNECTION WITH SUCH PRODUCTS.

Ordering Spare Parts

Ordering Spare Parts

KETTLER® International, Inc., 1355 London Bridge Road, Virginia Beach, VA 23453 USA

Online: www.KETTLERusa.com

E-mail: info@kettlerusa.com

For parts/service ONLY: call 866-804-0440 or e-mail parts@kettlerusa.com

USA Assembly Instructions

Read these instructions carefully before assembling the product or using it for the first time. They contain important information for your safety and for the correct use and maintenance of this KETTLER® product. Keep the instructions in a safe place for information, maintenance or for ordering spare parts.

This KETTLER® product has been designed in accordance with the latest standards of safety and subjected to constant quality monitoring. The data gained from this quality process is then incorporated in the development of our products. For this reason, we reserve the right to make changes in design and technology in order to offer our customers products of the highest standard of quality at all times. In spite of this, should you have any ground for complaint, please contact your KETTLER® dealer.

For Your Safety

Attention: An adult should always supervise playing. Only one child may use this product. Do not use the wheeled toy near slopes, steps, roads, railways, lakes and rivers, etc. Sturdy footwear should be worn at all times. We recommend wearing suitable protective clothing and a safety helmet.

- This toy is designed only for private use (no commercial or public use).
- This product may only be used for the intended purpose, i.e. as a wheeled toy to be used by one (1) child. All other use is not permitted, and possibly dangerous. The manufacturer cannot be held responsible for damages caused by improper use.
- Damaged parts may endanger the user and shorten the life span of the product. Please check all parts regularly, in short intervals according to use, for possible damages and loose connections (screws, etc.).
- Damaged or worn parts must be replaced straight away and the vehicle must be withdrawn from use until repaired. Otherwise unforeseen damage/danger may occur. If required please only use original KETTLER® spare parts.
- Improper repairs and structural alterations (disassembly of original parts, fitting of not permitted parts, etc.) may cause danger for the user or affect the life span of the product.
- Please ensure that the vehicle will only be used for playing when assembly has been carried out correctly, and checked, by an adult.
- Although there is practically no danger to children when using the vehicle according to its intended purpose, you should always supervise play activities.
- As the product is only a toy it should not be used on public roads, because it does not conform to the road traffic regulations.
- Please bear in mind that there is always a danger of children injuring themselves

(falling off, tipping over etc.) while using swings, climbing frames, tricycles or similar equipment.

- Do not connect this toy to any other product, because this child's wheeled toy has not been designed for higher speeds.
- Please bear in mind that children are very often not able to judge their own capabilities and certain (dangerous) situations. Also consider that a natural urge to play plus their temperament may lead children into unforeseen situations for which the manufacturer cannot be held responsible.
- Please ensure that the wheeled toy is only used in surroundings free of danger.
- This wheeled toy does not have lights. It is dangerous to use it in the dark.
- This product is suitable for children between 3-5 years for the 12" and 4 years and up for the 16".

Handling

- Before use always check that all screws and connections and respective safety devices fit correctly.
- Instruct children in the correct use of the product, and draw their attention to possible dangers.
- Sturdy, closed footwear must be worn when using this product.
- This wheeled toy does not have a so-called parking brake. Therefore secure the vehicle against rolling away. Do not leave children, who are not old enough to use the wheeled toy, unattended on a product.
- If this product can be adjusted please adapt it to your child's height.
- Do not transport anything on this product.
- Never use corrosive or abrasive substances to clean the toy. Never use substances which may cause pollution of the environment.
- Lubricate the bearing sleeves of the wheels and the handlebars with a few drops of oil every two or three months.
- Due to the nature of materials used in pneumatic tires on KETTLER® toys, it is not recommended for the product to be left in any one place for too long where solvents or other chemicals, i.e. petrol may lie. This may result in a chemical reaction, which could cause the tires to mark a surface such as a vinyl flooring. If in doubt, put something underneath the wheels to cover the floor. Ensure the air pressure in the tires is correct (35 PSI for the 12" and 40 PSI for the 16"); if air pressure is too low this increases wear and makes riding the bike more difficult.

Assembly of the Wheeled Toy

- The wheeled toy vehicle must be assembled carefully by an adult person. Study the assembly instructions carefully before beginning work. Assemble the vehicle in the exact sequence shown by the letters in the diagrams. This is essential for the safe function and use of the toy vehicle.
- Please note that there is always a danger of injury when working with tools or doing manual work. Therefore please be careful when assembling this machine.
- Ensure that your working area is free of possible sources of danger, for example don't leave any tools lying around. Always dispose packaging material in such a way that it may not cause any danger. There is always a risk of suffocation if children play with plastic bags.
- Bolt all the parts together loosely at first, and check that they have been assembled correctly. Tighten the locknuts by hand until resistance is felt, then use wrench to finally tighten nuts completely against resistance (locking device). Then check that all screw connections have been tightened firmly. Attention: once locknuts have been unscrewed they no longer function correctly (the locking device is destroyed), and must be replaced.
- Please keep original packaging of this article, so that it may be used for transport at a later date, if necessary.
- For technical reasons, we reserve the right to carry out preliminary assembly work.

E

Indicaciones Importantes

Por favor, léa este manual detenidamente antes de iniciar el montaje y antes del primer uso. Este manual contiene avisos importantes relacionados con su seguridad así como instrucciones para la aplicación y el mantenimiento de este producto de KETTLER®. Mantenga este manual a su alcance, para su propia información, para los trabajos de mantenimiento y para los pedidos de recambios.

Este producto de KETTLER® ha sido construido conforme al último nivel de las normas de seguridad y bajo un permanente control de calidad. Los conocimientos adquiridos fueron aprovechados para nuestro desarrollo. Por lo expuesto, no reservamos el derecho de efectuar modificaciones técnicas y constructivas a fin de poder ofrecer a nuestros clientes un producto de óptima calidad. Si a pesar de ello existen motivos de reclamación, diríjase por favor a su proveedor.

Seguridad

- Atención: Los niños deben ser supervisados por una persona adulta cuando juegan con el aparato. El uso del aparato sólo se permite para una persona. No use el aparato

cerca de declives, escaleras, calles, instalaciones de estación de ferrocarril, agua etc. Durante el uso del aparato se tienen que llevar zapatos cerrados. Le recomendamos llevar vestidos que protejan adecuadamente y casco de seguridad.

- Este aparato de juego sólo está concebido para el uso privado (el uso comercial o público está prohibido).
- Este vehículo sólo se debe usar para su fin determinado, es decir como juguete y sólo debe ser usado por una (1) persona. Cualquier otro uso está prohibido y podrá ser peligroso. El productor no se hará responsable de posibles daños que se hayan producido a causa de un uso no adecuado.
- Las piezas estropeadas del aparato podrán poner en peligro al usuario y afectar al tiempo de vida del vehículo. Controle todas las piezas en plazos cortos, según el uso, y con regularidad compruebe si hay daños o conexiones sueltas (tornillos conexiones tipo macho y hembra etc.)
- Las piezas estropeadas o desgastadas se deben cambiar inmediatamente y el vehículo no se debe usar hasta que sea reparado. En el caso de necesidad sólo use piezas de recambio originales de la marca KETTLER®.
- Las reparaciones inadecuadas o modificaciones estructurales (desmontaje de piezas originales, montaje de piezas no autorizadas etc.) podrían provocar peligro para el usuario o afectar el tiempo de vida del producto.
- Asegúrese de que no se juegue con el vehículo antes de que una persona adulta haya efectuado y controlado adecuadamente el montaje.
- Aunque el uso adecuado del vehículo no es peligroso para los niños, los debería supervisar un adulto cuando juegan con el aparato.
- Como el vehículo es un aparato de juego, no corresponde a las normas de admisión al tráfico público y por este motivo no debe circular por calles.
- Tome en consideración que siempre existe el peligro de caer, bascular etc. usando columpios, andamios, triciclos etc.
- No conecte el vehículo para niños con otros vehículos, aparatos de deporte u otros tractores; el vehículo para niños no está concebido para alcanzar altas velocidades.
- Tome en cuenta que muchas veces los niños todavía no pueden valorar debidamente sus capacidades y ciertas situaciones (peligrosas). Observe también que el deseo natural de jugar y el temperamento de los niños pueden provocar situaciones imprevisibles que excluyan una responsabilidad por parte del productor.
- Asegúrese de que el vehículo para niños sólo se use en zonas sin peligros.
- El vehículo para niños es un aparato de juego sin alumbrado. El uso de noche es peligroso.
- Este producto es apropiado para niños de edad 3-5 (12") y de edad 4+ (16").

Manejo

- Antes de usar el aparato asegúrese siempre de que todas las conexiones de tornillo y de tipo macho y hembra y todas las instalaciones de seguridad estén puestas correctamente.
- Enseñe a los niños el uso correcto del vehículo y hágalos observar eventuales peligros.
- Durante el uso del vehículo hay que llevar zapatos estables y cerrados.
- Observe que en el caso de aparatos sin rueda libre los pedales también circulan si sólo se empuja o hace rodar el vehículo.
- El vehículo para niños no dispone de un así llamado freno de detención. Por este motivo hay que fijar el vehículo depositado para que no ruede. No deje a los niños que todavía no saben manejar al aparato en el vehículo sin vigilancia.
- Si este producto puede ser ajustado por favor adáptelo a la altura de su niño.
- No transporte objetos con el vehículo.
- Nunca utilice productos corrosivos ni productos cáusticos para limpiar este aparato. Utilice exclusivamente productos respetuosos con el medio ambiente.
- Debido a la naturaleza de los materiales en las ruedas neumáticas en los juguetes de KETTLER®, no se recomienda que este producto se deje en sitios donde estén presentes solventes y otros productos químicos, p.ej. gasolina. Esto puede resultar en una reacción química, que puede causar que las ruedas marquen ciertas superficies como los suelos de vinyl (vinilo). En caso de duda, ponga algo debajo de las ruedas para proteger el suelo. Asegúrese que la presión de aire en las ruedas es correcta (35 PSI para las ruedas de 12" y 40 PSI para las de 16") Si la presión es demasiado baja, el deterioro de las ruedas aumenta y el conducir la bicicleta es mas difícil.

Instrucciones de Montaje

- El montaje debe ser cuidadosamente llevado a cabo por una persona adulta. Lea detenidamente las presentes instrucciones antes de comenzar con los trabajos demontaje propiamente dichos. El orden de los pasos a seguir se explica mediante letras en las diferentes ilustraciones. Respete exactamente las etapas de montaje indicadas. Sólo así quedará asegurada la utilización y el funcionamiento correcto del aparato.
- Recuerde que todo trabajo artesanal con herramientas comporta siempre la posibilidad de sufrir heridas. ¡Trabaje con cuidado y prudencia durante el montaje del aparato!
- Asegúrese de que la zona de trabajo está libre de riesgos. Guarde las herramientas en su sitio y deseche el material de embalaje de manera que no pueda representar un riesgo. ¡Las láminas y las bolsas de plástico pueden asfixiar a un niño!
- Primero, ensamble todas las piezas sin apretar los tornillos y controle si están correctamente colocadas. Apriete primero las tuercas a mano hasta que ofrezcan cierta resistencia. Una vez terminada esta etapa del montaje, apriete los tornillos a fondo contra

la resistencia (dispositivo de seguridad contra el aflojamiento) mediante una llave. A continuación, controle todas las conexiones atornilladas. Atención: una vez se hayan aflojado las tuercas de seguridad, éstas no podrán volver a ser utilizadas (el dispositivo de seguridad contra el aflojamiento ha sido destruido). Reemplácelas por tuercas nuevas.

- Conserve el embalaje original para un eventual transporte ulterior del aparato.
- Por razones técnicas, nos reservamos el derecho a efectuar el premontaje de ciertos componentes (p. ej. tapas para los tubos).

F Instructions de Montage

Veillez lire attentivement ces instructions avant le montage et la première utilisation. Vous y trouverez des indications importantes pour votre sécurité, ainsi que pour l'utilisation et la maintenance de ce produit KETTLER®. Conservez soigneusement ces instructions pour votre information et/ou pour les travaux de maintenance ou les commandes de pièces de rechange.

Ce produit KETTLER® a été conçu conformément à l'état actuel des prescriptions de sécurité et fabriquée sous une surveillance constante de la qualité. Les connaissances acquises dans ce contexte sont utilisées lors de notre travail de développement. Pour cette raison, nous nous réservons le droit de procéder à des modifications de la technique et de la stylistique, afin de pouvoir toujours proposer à nos clients des produits de qualité optimale. Au cas où vous auriez malgré tout une raison de faire des réclamations, veuillez vous adresser à votre vendeur spécialisé.

Pour Votre Sécurité

- Attention: Ne laissez l'enfant jouer que sous la surveillance d'adultes. L'utilisation du véhicule est autorisée seulement pour une personne). N'utilisez pas le véhicule aux abords de pentes, d'escaliers, de routes, d'installations ferroviaires, de cours d'eau, etc. Pour utiliser le véhicule, il faut porter des chaussures solides et fermées. Nous conseillons également le port de vêtements de protection appropriés et d'un casque de sécurité.
- L'utilisation n'est autorisée que dans le domaine privé (ne pas d'utilisation commerciale ou public).
- Ce véhicule ne peut être utilisé que dans le but pour lequel il a été construit, c'est-à-dire en tant que véhicule de jeu dont l'utilisation est prévue pour une seule personne. Toute autre utilisation n'est pas permise et pourrait être dangereuse. Le fabricant ne peut pas être rendu responsable des dommages causés à la suite d'une utilisation dans un but autre que celui prévu.
- Des éléments de construction endommagés peuvent mettre en danger la sécurité des utilisateurs et nuire à la durabilité du véhicule. Vérifiez régulièrement et à de courts

intervalles, en fonction de l'utilisation, si tous les éléments de construction sont en bon état et si certains assemblages ne sont pas desserrés (vis, cavaliers, etc.)

- Tout élément de construction endommagé ou usé doit être immédiatement remplacé. Le véhicule doit alors être retiré de la circulation jusqu'à sa remise en état. En cas de besoin, veillez à n'utiliser que des pièces de rechange d'origine de la société KETTLER®.
- Toute réparation incorrecte ou modification de construction (démontage de pièces d'origine, construction de pièces non autorisées, etc.) peut mettre en danger la sécurité de l'utilisateur et nuire à la durabilité du véhicule.
- Avant la mise en circulation du véhicule, assurez-vous si l'assemblage a été exécuté correctement et contrôlé par un adulte.
- Bien qu'une utilisation correcte et appropriée exclue tout risque pour les enfants, ne laissez pas les enfants jouer sans surveillance.
- S'agissant d'un véhicule de jeu, ce véhicule ne répond pas aux normes d'agrément pour la circulation sur la voie publique. Il ne peut donc pas circuler sur la voie publique.
- Veuillez considérer que l'utilisation de balances et jeux d'escalade, de tricycles, représente toujours un risque de chute, de renversement pour les utilisateurs.
- N'attachez pas le véhicule pour enfant à un autre véhicule, à un appareil de sport ou à tout autre dispositif de tirage. Le véhicule pour enfant n'est pas conçu pour une grande vitesse.
- Veuillez considérer que les enfants souvent surestiment leurs capacités et ne sont pas en mesure de reconnaître les situations dangereuses. Suite à un besoin naturel de jouer et du fait du tempérament des enfants, des situations imprévisibles peuvent se produire, qui excluent la responsabilité du fabricant.
- Veillez à ce que le véhicule pour enfant soit uniquement utilisé dans un endroit ne représentant aucun danger.
- Le véhicule pour enfant est un jouet sans éclairage. Son utilisation dans l'obscurité est dangereuse.
- Ce produit est convenable pour les enfants âges 3-5 (12") et âges 4+ (16").

Maniement

- Avant chaque utilisation, vérifiez que les raccords à vis et cavaliers ainsi que les dispositifs de sécurité correspondants sont en bonne position.
- Veuillez expliquer aux enfants comment utiliser le véhicule et les informer des risques possibles.
- Lors de l'utilisation du véhicule, il est recommandé de porter des chaussures solides et fermées.
- Veuillez considérer que pour les appareils sans roue libre, les pédales tournent aussi lorsque l'appareil est poussé ou lorsqu'il roule.
- Le véhicule pour enfant n'est pas équipé de frein de stationnement. Assurez-vous que

l'appareil en stationnement ne risque pas de rouler. Ne laissez pas un enfant qui ne maîtrise pas encore le véhicule sans surveillance sur le véhicule en stationnement.

- Pour les modèles à hauteur variable, veuillez ajuster le véhicule à la taille de votre enfant.
- N'utilisez pas le véhicule pour transporter des objets.
- Pour le nettoyage et l'entretien de la trottinette, utilisez des produits respectueux de l'environnement, en aucun cas des produits corrosifs ou caustiques.
- Mettez quelques gouttes d'huile sur les coussinets du guidon et des roues tous les trois mois.
- En raison de la nature de matériels utilisés dans les pneus pneumatiques sur les jouets de KETTLER®, il n'est pas recommandé pour le produit être parti dans n'importe quel endroit pour aussi longtemps où les dissolvants ou les autres produits chimiques, par exemple l'essence peut couler. Ceci peut avoir pour réaction chimique, qui pourrait causer les pneus marquer une surface telle qu'un revêtement de sol de vinyle. Si en doute, mettre quelque chose au-dessous des roues pour couvrir le plancher. Assurer que cette pression dans les pneus est correcte (35 PSI pour le 12" et 40 PSI pour le 16"); si la pression est trop basse augmente l'usure et voyager le vélo est plus difficile.

Instructions de Montage

- Le montage doit être effectué avec soin par une personne adulte. Consultez attentivement ces instructions de montage avant de commencer les travaux de montage proprement dits. Les différentes étapes sont également expliquées par des symboles sur les illustrations successives. Respectez exactement les étapes de montage indiquées, afin qu'une utilisation et un fonctionnement sûrs de la trottinette soient assurés.
- N'oubliez pas que toute utilisation d'outils et toute activité artisanale présente toujours des risques de blessure. Travaillez avec soin et soyez prudents lors du montage de l'appareil!
- Assurez que la zone de travail ne présente aucun risque. Ne laissez pas traîner par exemple des outils et rangez p. ex. le matériau d'emballage de manière à ce qu'il ne constitue pas de dangers. Des feuilles/sacs plastiques présentent un risque d'étouffement pour les enfants!
- D'abord, assemblez toutes les parties sans serrer les vis et contrôlez leur bonne mise en place. Serrez à la main les écrous indesserrables jusqu'à perception de la résistance. Ensuite, serrez-les à fond contre la résistance (sûreté de serrage) à l'aide d'une clé. Après cet étape de montage, contrôlez le serrage de tous les assemblages à vis. Attention: des écrous de sûreté desserrés ne peuvent pas être réutilisés (destruction de la sûreté de serrage) et sont à remplacer.
- Conservez l'emballage d'origine du produit afin de pouvoir l'utiliser ultérieurement comme emballage de transport.
- Nous nous réservons le droit de monter certains composants (tels que les bouchons des tubes), et ce, pour des raisons techniques.

USA Limited Warranty

THERE ARE NO WARRANTIES, EXPRESSED OR IMPLIED, MADE BY EITHER THE DISTRIBUTOR OR THE MANUFACTURER ON KETTLER® PRODUCTS, EXCEPT THE MANUFACTURER'S LIMITED WARRANTY AGAINST DEFECTS IN MATERIAL SET OUT BELOW:

This KETTLER® Limited Warranty applies to products sold through the KETTLER® Authorized Dealer Network to the original retail purchaser and authenticated by proof of purchase from a retailer located in the United States. Any shipments made under this warranty will be shipped to the United States only. Any shipment outside of the United States will be at the sole cost of the customer. This KETTLER® Limited Warranty is a manufacturer's warranty and is not changed or modified by additional warranties extended by individual retailers at the point of sale. Manufacturer warrants this product to be free from defects in material at the time of the product's tender of delivery for a period of 1 year for residential use. This Limited Warranty is not transferable and does not cover normal wear and tear (including, but not limited to, damage and wear to tires, power shocks, drive belts and other non-durable parts). The liability of the manufacturer under this Limited Warranty shall not include any liability for direct, indirect, or consequential damages resulting from the defect. **This Limited Warranty is void if the product is damaged by accident, unreasonable use, improper service, failure to follow instructions provided, modification from its original state, or other causes determined not arising out of defects in material.**

This warranty gives you specific legal rights. Should this product become defective due to material within the warranty period, contact KETTLER® Parts & Service Dept. by phone at 866.804.0440, fax at 757.563.9273, or e-mail at parts@kettlerusa.com.

THIS LIMITED WARRANTY IS EXPRESSLY IN LIEU OF ANY OTHER WARRANTIES, EXPRESSED OR IMPLIED, INCLUDING ANY IMPLIED WARRANTY OF MERCHANTABILITY OR FITNESS FOR A PARTICULAR PURPOSE, AND OF ANY OTHER OBLIGATIONS OR LIABILITY ON THE PART OF THE MANUFACTURER. KETTLER® NEITHER ASSUMES NOR AUTHORIZES ANY OTHER PERSON TO ASSUME FOR IT ANY OTHER LIABILITY IN CONNECTION WITH SUCH PRODUCTS.

E

Garantía Limitada

NO HAY GARANTÍAS, EXPRESADAS O IMPLÍCITAS HECHAS POR EL DISTRIBUIDOR O EL FABRICANTE DE LOS PRODUCTOS KETTLER®, EXCEPTO LA GARANTÍA LIMITADA DEL FABRICANTE CONTRA DEFECTOS EN LOS MATERIALES QUE ESPECIFICAMOS SEGUIDAMENTE:

Esta Garantía Limitada de KETTLER® es para productos vendidos a través de la Red de Distribuidores Autorizados de KETTLER® al vendedor original que los compró y autenticado por la prueba de compra por un vendedor localizado en Estados Unidos. Todo envío hecho bajo esta garantía será enviado solo a los Estados Unidos. Todos los envíos fuera de los Estados Unidos serán exclusivamente al costo del cliente. Esta Garantía Limitada de KETTLER® es una garantía del fabricante y no se cambia o modifica por garantías adicionales dadas por los vendedores individuales al momento de la venta. El fabricante garantiza que este producto no tiene defectos en materiales en el momento de entrega por el periodo de 1 año para uso no-residencial. Esta garantía no se puede transferir y no cubre el deterioro por uso normal (incluye y no se limita al deterioro de ruedas, de amortiguadores, correas de distribución y otras piezas no duraderas). La responsabilidad del fabricante bajo esta Garantía Limitada no incluirá ninguna responsabilidad por daños directos o daños indirectos o daños consiguientes que resulten por el defecto. **Esta Garantía Limitada se anula si el producto se daña accidentalmente, si se usa inmoderadamente, por servicio incorrecto, por no seguir las instrucciones dadas, por el cambio de su setado original, u otras causas que definitivamente no se originan por defectos de los materiales.**

Esta garantía te da específicos derechos legales. Si este producto tiene defectos debido a los materiales usados en el periodo de garantía, póngase en contacto con KETTLER® departamento de "Parts & Service" por teléfono llame al 866-804-0440, por fax 757-563-9273 o por correo electrónico a parts@kettlerusa.com.

ESTA GARANTÍA ES EXPRESAMENTE EN LUGAR DE CUALQUIER OTRA GARANTÍA DICHA O IMPLÍCITA, INCLUYENDO TODA GARANTÍA COMERCIAL O CONVENIENCIA POR INTENCIÓN PARTICULAR, Y POR CUALQUIER OTRA OBLIGACIÓN O RESPONSABILIDAD POR PARTE DEL FABRICANTE. KETTLER® NI ASUME NI AUTORIZA NINGUNA OTRA PERSONA PARA ASUMIR POR ELLA NINGUNA OTRA RESPONSABILIDAD EN CONEXIÓN CON DICHS PRODUCTOS.

LES PRODUITS SONT COUVERS PAR AUCUNE GARANTIE, EXPRESSE OU TACITE, ASSUREE PAR LE DISTRIBUTEUR OU LE FABRICANT, EXCEPTE LA GARANTIE LIMITEE DU CONSTRUCTEUR CONTRE LES VICES DE MATIERE EXPOSEE CI-DESSOUS:

La garantie limitée de KETTLER® s'applique aux produits vendus par le réseau d'agents agréés à l'acheteur détaillant d'origine et authentifiés par une preuve d'achat auprès d'un détaillant implanté aux Etats-Unis. Toute expédition effectuée sous cette garantie sera seulement effectuée à destination des Etats-Unis. Toute expédition hors des Etats-Unis sera effectuée à la charge unique du client. Cette garantie limitée de KETTLER® est une garantie de constructeur et ne peut être modifiée par des garanties supplémentaires étendues par les détaillants sur le point de vente. Le constructeur garantit que ce produit est exempt de vices de matière au moment de l'offre de livraison du produit et pour une période de 1 an pour l'usage non résidentiel. Cette garantie limitée n'est pas transmissible et ne couvre pas l'usure normale (ainsi que les dommages et l'usure des pneus, amortisseurs, courroies de transmission, et pièces non durables, mais sans être limitée à cette liste). La responsabilité du constructeur d'après cette garantie limitée ne s'applique pas aux dommages directs, indirects et consécutifs résultant d'un vice. **Cette garantie limitée devient nulle si le produit est endommagé par accident, usage irresponsable, entretien inapproprié, non-respect des consignes fournies, modification de l'état d'origine ou pour d'autres causes dont il a été déterminé qu'elles n'ont pas été provoquées par des vices de matière.**

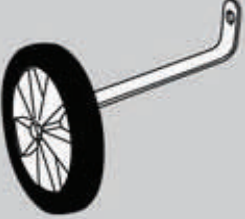
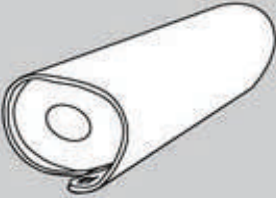
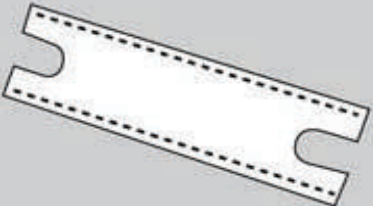



Cette garantie vous donne des droits légaux spécifiques. Si le produit présente des défauts pendant la période de garantie, contactez le Service après-vente et pièces détachées (Parts and Service) par téléphone au 866-804-0440, fax au 757-563-9273., ou courrier électronique à l'adresse parts@kettlerusa.com.


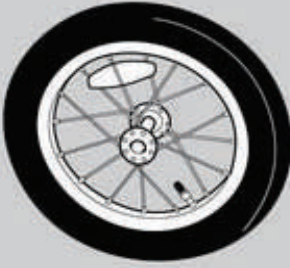
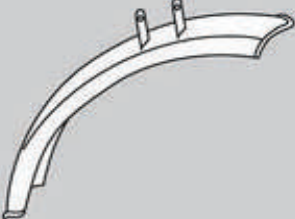
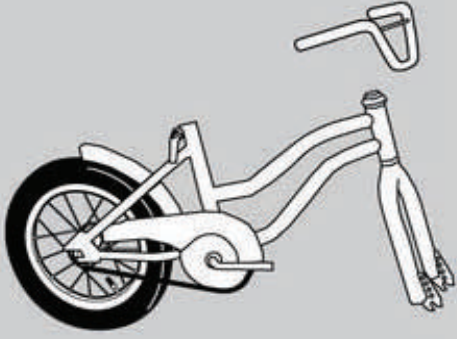
CETTE GARANTIE REMPLACE EXPRESSEMENT TOUTES LES AUTRES GARANTIES, EXPRESSES OU TACITES, AINSI QUE TOUTE GARANTIE DE QUALITE MARCHANDE OU DE L'APTITUDE A UN EMPLOI PARTICULIER, TOUTE OBLIGATION OU RESPONSABILITE DE LA PART DU CONSTRUCTEUR. KETTLER® NE PRESUME NI NAUTORISE TOUTE AUTRE PERSONNE A ASSUMER TOUTE RESPONSABILITE POUR ELE EN LIEN AVEC DE TELS PRODUITS.

Parts Checklist

F Liste de vérification
(contenu de L'emballage)

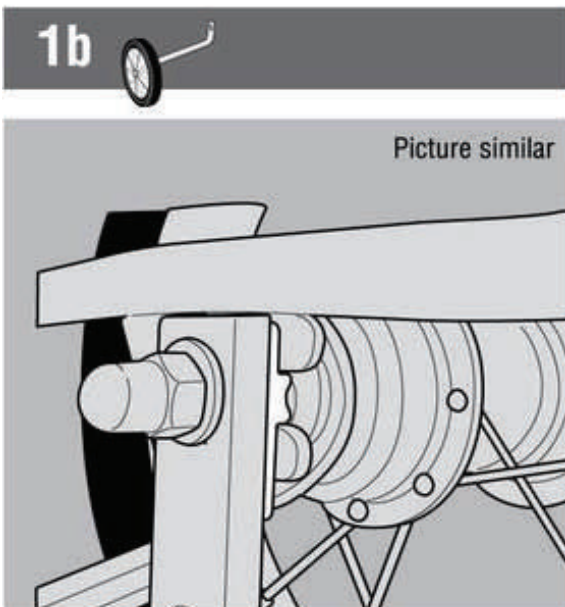
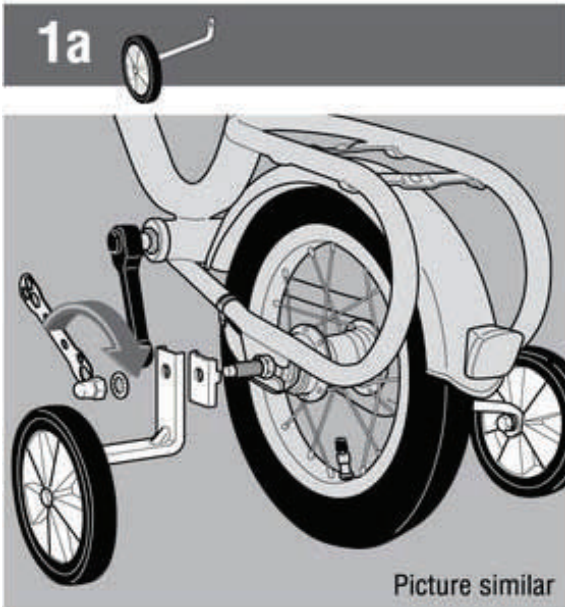
E Lista de control (contenido
del paquete)

	2
	1
	1
	2
	2
	1

	1
	1
	1
	1

Parts on models may vary

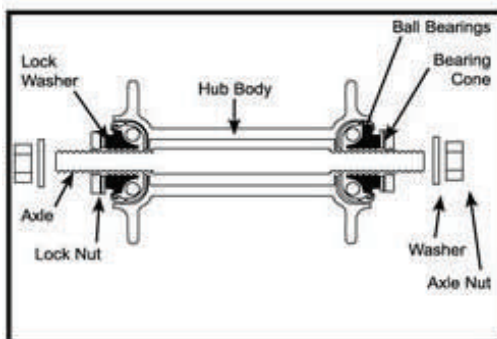
NOTE: If not using training wheels skip this assembly



- USA**
1. Remove cap nut and washer from rear wheel.
 2. Assemble locking tab and training wheels to rear wheel (1a). Make sure the locking tabs fit properly into place (1b).
 3. Tighten cap nut by hand only.

- E**
1. Quite la tuerca de sombrerete y la arandela de la rueda trasera.
 2. Monte las ruedas de aprendizaje a la rueda trasera.
 3. Apriete la tuerca de sombrerete a mano solamente.

- F**
1. Enlevez la noix de casquette et la rondelle de la roue arrière.
 2. Assemblez se verrouillant les roues d'étiquette et entraînement à la roue arrière (1a). Assurez que les étiquettes verrouillant ajustenet convenablement à sa place (1b).
 3. Resserrer la noix de casquette à la main seulement.

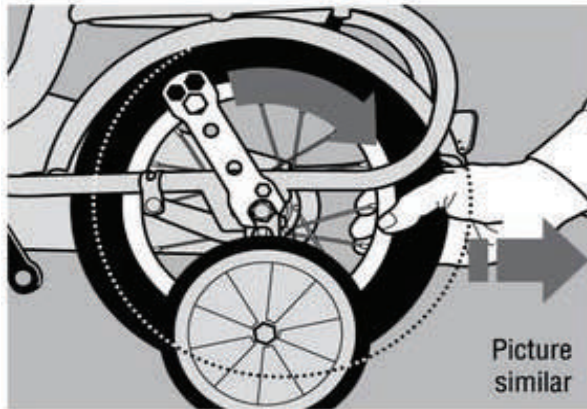


Hub Bearing And Wheel Adjustment

When checked, the hub bearings of either wheel will require adjustment if there is any more than slight side play.

1. Check to make sure neither locknut is loose.
2. To adjust, remove wheel from bicycle and loosen the locknut on one side of the hub while holding the bearing cone on the same side with a flat open end wrench.
3. Rotate the adjusting cone as needed to eliminate free play.
4. Re-tighten the locknut while holding the adjusting cone in position.
5. Re-check that the wheel can turn freely without excessive side play.

2

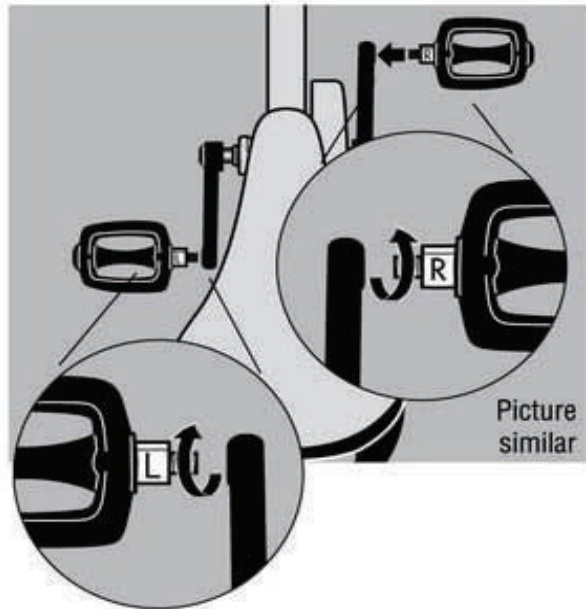


- USA**
1. Pull rear wheel backwards to tighten the chain and center the wheel in the frame.
 2. Tighten the cap nuts securely. Tighten the cap nut with a torque of 22-29.5 foot pounds (30-40 Nm) when using a torque wrench.
 3. For proper training, the training wheels should not sit flat on the ground.

- E**
1. Tire de la rueda trasera hacia atrás para apretar (dejar tirante) la cadena y centrar la rueda en la armadura.
 2. Asegúrese que las tuercas de sombrero estén bien apretadas. Aprietaslas con una fuerza de 22-29.5 lb o 30-40 Nm cuando use una llave de torque.

- F**
3. Para aprender correctamente, las ruedas de aprendizaje no deben de estar a nivel del suelo.
 1. Tirez la roue arrière vers l'arrière pour tendre la chaîne et pour centrer la roue dans l'armature.
 2. Serrez les écrous borgnes solidement. Resserrer la noix de casquette avec un moment de torsion de 22-29.5 lb. (30-40 Nm) en utilisant une clé plate de moment de torsion.
 3. Pour la formation appropriée, les roues de formation ne devraient pas se reposer à plat sur la terre.

3

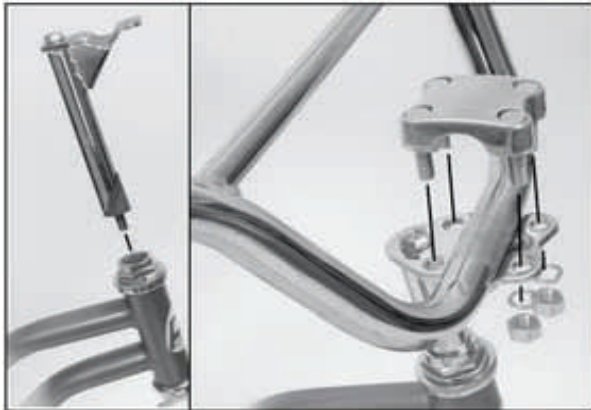


- USA**
1. Right pedal is standard clockwise thread.
 2. Left pedal is threaded counter-clockwise.

- E**
1. El pedal derecho se enrosca en el sentido de las agujas del reloj.
 2. El pedal izquierdo se enrosca en el sentido contrario de las agujas del reloj.

- F**
1. La pédale droite est filetée dans le sens des aiguilles d'une montre.
 2. La pédale gauche est filetée dans le sens contraire des aiguilles d'une montre.

4a



- USA**
1. Remove the plastic cap from the bottom of the handlebar stem before inserting it into the frame
 2. Insert the handlebars to at least the minimum insertion level. The marking lines on the stem must not be visible.

- E**
1. Quite el tapón de plástico de la base del vástago de los manillares antes de introducirlos en el armazón
 2. Introducir los manillares por lo menos al mínimo nivel. Las marcas en la barra de los manillares no deben verse.

- F**
1. Enlevez le chapeau en plastique de fond de la tige de guidon avant de l'insérer dans l'armature.
 2. Insérez les guidons au niveau minimum d'insertion. Les lignes d'inscription sur la tige ne doivent pas être évidentes.

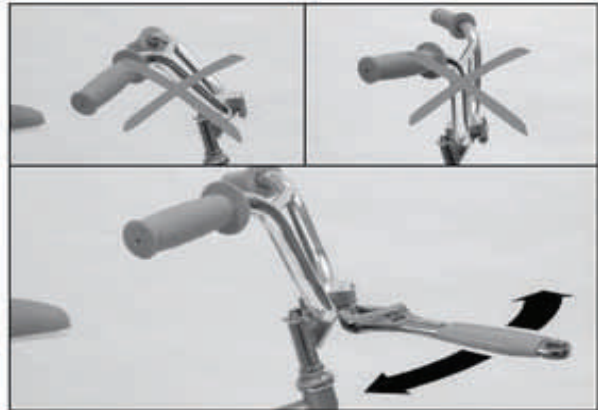


WARNING:Overtightening the stem bolt can damage the stem-to-fork assembly thereby causing risk of injury to the rider.

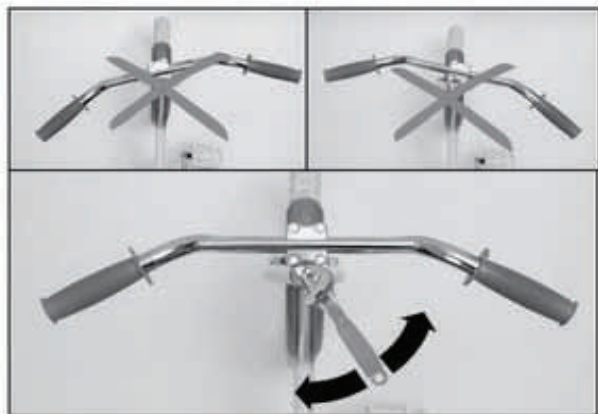


WARNING:To insure a proper bind and to avoid damage to the internal fork threads, the minimum insertion line should never be visible.

4b



4c



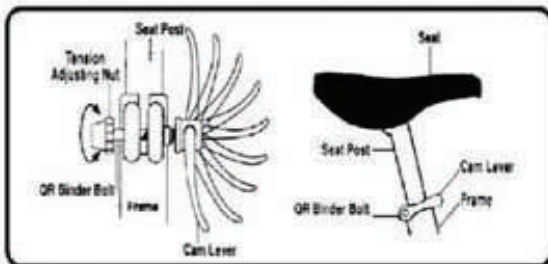
5



6

- USA** Insert seat post to at least the minimum insertion level. The marking lines on the stem must not be visible.
- E** Introduzca la barra del asiento como mínimo hasta la primera marca (línea mínima de introducción). Las marcas en la barra del asiento no deben de ser visibles.
- F** Insérez la poteau de siège au niveau minimum d'insertion. Les lignes d'inscription sur la tige ne doivent pas être évidentes.

QUICK RELEASE SEAT POST



Tighten the quick release seat post binder bolt securely at desired height. Turning the tension adjusting nut clockwise while keeping the cam lever from rotating increases clamping force; Turning it counterclockwise while keeping the cam lever from rotating reduces clamping force. Less than half a turn of the tension adjusting nut can make the difference between safe clamping force and unsafe clamping force.

7**8****9**

Pad Sets

Assemble the pads in the correct location as shown.
- Attach with the sewn in Velcro fasteners.



WARNING: Failure to install properly could result in serious injury.

**USA**

1. Assemble front fender to fork.
2. Remove nut and teardrop washer from front wheel. Slide wheel onto fork. Slide teardrop washer into place on the fork and then the cap nut. Tighten the cap nut with a torque of 22-29.5 foot pounds (30-40 Nm) when using a torque wrench.

E

Desarmar la tuerca y la arandela en forma de lágrima de la rueda delantera. Introducir la rueda en la horcadura. Poner la arandela en forma de lágrima en su sitio en la horcadura y finalmente la tuerca de sombrerete. Apretar la tuerca con una fuerza d 22-29.5 lb ó 30-40 Nm sise usa llove de torque.

F

Enlever la noix de casquette et la rondelle de lorme de la roue de devant. Glisser la roue à sa place sur la fourchette. Glisser la rondelle de larme à sa place sur la fourchette et alors la noix de casquette. Resserrer la noix de casquette avec un moment de torsion de 22-29.5 lb. (30-40 Nm) en utilisant une dé plate de moment de torsion.

11

- (USA) Inflate tires to proper PSI - 35-40 PSI.
- (E) Inflatar las ruedas correctamente - 35-40 PSI
- (F) Gonflez les pneus au PSI approprié - 35-40 PSI

Coaster Brake / Direct Drive

Operate the coaster brake as follows:

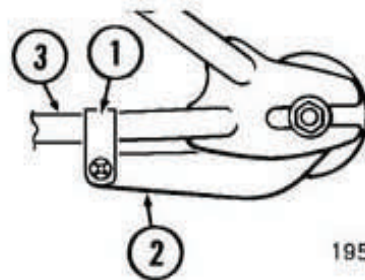
- Push the pedals backward to move the chain backward
- The chain activates the coaster brake mechanism that is inside the rear wheel hub
- As you push the pedals backward with increasing force, the braking action of the coaster brake increases.

If your bicycle has a caliper brake(s) in addition to the coaster brake, always use the coaster brake as the main brake to stop the bicycle.



WARNING: If you do not obey the following instructions, injury to the rider or to others can occur:

- When you ride the bicycle the first time, test the coaster brake and practice using it at a low speed in a large level area that is free of obstructions.
- Every time the bicycle is ridden, make sure the clamp [1] on the brake arm [2] is securely attached to the chain stay [3] of the bicycle frame. The coaster brake will not work correctly if the brake arm is not attached to the chain stay.
- Always try to brake while going in a straight line. If you must brake on wet pavement; or when the pavement is covered with sand, gravel, or leaves, start to brake sooner than normal and apply the brake intermittently to reduce the chance of skidding.
- Be careful when riding downhill or at a high speed because as your speed increases, a longer distance to stop the bicycle will be necessary. Slow for curves because too much speed can force you to make a turn that is too wide.
- Have the coaster brake repaired by a bicycle service shop the first time you notice that it does not stop the bicycle quickly and smoothly or just does not work as well as it has in the past.



Wet Weather



IT IS RECOMMENDED TO NOT RIDE IN WET WEATHER

- In wet weather you need to take extra care.
- Brake earlier, you will take a longer distance to stop.
- Decrease your riding speed, avoid sudden braking and take corners with additional caution.
- Be more visible on the road.
- Wear reflective clothing and use safety lights.
- Pot holes and slippery surfaces such as line markings and train tracks all become more hazardous when wet.



IT IS RECOMMENDED TO NOT RIDE AT NIGHT

Night Riding

- Ensure bicycle is equipped with a full set of correctly positioned and clean reflectors.
- Use a properly functioning lighting set comprising of a white front lamp and a red rear lamp.
- If using battery powered lights, make sure batteries are well charged.
- Some rear lights available have a flashing mechanism which enhances visibility.
- Wear reflective and light colored clothing.
- Ride at night only if necessary. Slow down and use familiar roads with street lighting, if possible.

Torque Force Specifications

Front Wheel Nuts: 30-40Newton Meters or 22- 29.5ft.-lb.

Rear Wheel Nuts: 30-40Newton Meters or 22- 29.5ft.-lb.

Seat Binder Nut: 12-17Newton Meters or 8.8- 12.5ft.-lb.

Handlebar Clamp Nut:17- 19 Newton Meters or 12.5-14.0ft.-lb.

Head Stem Expander Nut:17-19Newton Meters or 12.5- 14.0ft.-lb.

General Maintenance

Repair and Service

WARNING:

- Inspect the bicycle frequently. Failure to inspect the bicycle and to make repairs or adjustments, as necessary, can result in injury to the rider or to others. Make sure all parts are correctly assembled and adjusted as written in this manual and any “Special Instructions”.
- Immediately replace any damaged, missing or badly worn parts, components or hardware.
- Make sure all fasteners are correctly tightened as written in this manual and any “Special Instructions”. Parts that are not tight enough can be lost or operate poorly. Over tightened parts can be damaged. Make sure any replacement fasteners are the correct size and type.
- If your frame is aluminum, inspect the bicycle frame carefully and frequently. Aluminum frames can develop very small cracks due to stress, severe shocks, etc. If you see any small cracks, stop riding the bicycle. Have the frame inspected by a qualified professional at a bicycle service shop before riding the bicycle again.
- Even though your frame may be aluminum, we recommend that you do not leave your bicycle outdoors for a long period of time. The elements will eventually corrode all non-aluminum components and hardware.

Note: Have a bicycle service shop make any repairs or adjustments for which you do not have the correct tools or if the instructions in this manual or any “Special Instructions” are not sufficient for you.

Inspection of the Bearings

Frequently check the bearings of the bicycle. Have a bicycle service shop lubricate the bearings once a year or any time they do not pass the following tests:

Head Tube Bearings

The fork should turn freely and smoothly at all times. With the front wheel off the ground, you should not be able to move the fork up, down or side-to-side in the head tube.

Crank Bearings

The crank should turn freely and smoothly at all times and the front sprockets should not be loose on the crank. You should not be able to move the pedal and of the crank from side-to-side.

General Maintenance *cont'd*


Inspection of the Bearings *cont'd*

Wheel Bearings

Lift each end of the bicycle off of the ground and slowly spin the raised wheel by hand. The bearings are correctly adjusted if:

- The wheel spins freely and easily.
- The weight of the spoke reflector, when you put it toward the front or rear of the bicycle, causes the wheel to spin back and forth several times.
- There is no side-to-side movement at the wheel rim when you push it to the side with light force.

Lubrication

 **WARNING:** Do not over lubricate. If oil gets on the wheel rims or the brake shoes, it will reduce brake performance and a longer distance to stop the bicycle will be necessary. Injury to the rider or to others can occur.

- The chain can throw excess oil onto the wheel rim. Wipe excess oil off the chain otherwise injury to the rider or to others can occur.
- Keep all oil off the surfaces of the pedals where your feet rest otherwise injury to the rider or to others can occur.
- Using soap and hot water, wash all oil off the wheel rims, brake shoes, pedals and the tires. Rinse with clean water and dry completely before you ride the bicycle.
- Using a light machine oil (20W) and the following guidelines, lubricate the bicycle:

What	When	How
Brake Levers	Every 6 months	Put one drop of oil on the pivot point of each brake lever.
Caliper Brakes	Every 6 months	Put one drop of oil on the pivot point of each caliper brake.
Brake Cables	Every 6 months	Put four drops of oil into both ends of each cable. Allow the oil to soak back along the cable wire.
Pedals	Every 6 months	Put four drops of oil where each pedal axle goes into the pedal.
Chain	Every 6 months	Put one drop of oil on each roller of the chain. Wipe all excess oil off of the chain.

Bicycle Maintenance Schedule

Before every ride:

- Check tire air pressure.
- Check brakes and cables.
- Be sure your crank set is tight.
- Be sure quick release hubs are tight, but not too tight.

After every ride:

- Inspect tires for glass, gravel shards, and cuts on tread and sidewall.
- Check wheels for true.
- Clean the bike's mechanical parts as necessary.

Once a week or every 200 miles:

- Lubricate chain (with dry lube; or every other week or 400 miles with wet chain lube).

Once a month:

- Completely clean the bike, including the drivetrain if necessary.
- Inspect chain and freewheel. Measure the chain for wear, check for tight links and replace the chain if necessary.
- Inspect and lubricate brake levers, derailleurs and all cables.
- Inspect pedals and lubricate SPD style cleats.
- Inspect and check for looseness in the:
 - ◆ stem binder bolt
 - ◆ handlebar binder bolt
 - ◆ seatpost binder bolt (or quick release)
 - ◆ seat fixing bolt
 - ◆ crank bolts
 - ◆ chainring bolts
 - ◆ derailleur mounting bolts
 - ◆ bottle cage bolts
 - ◆ rack mounting bolts (use thread lock on these)
 - ◆ brake and derailleur cable anchors
 - ◆ brake and shifter lever mounting bolts
 - ◆ brake mounting bolts (do not alter brake centering)
- Inspect tires for wear; rotate or replace if needed.

Every three months:

- Wax bike. A clean, shiny bike always seems to go faster and farther.
- Inspect frame and fork for paint cracks or bulges that may indicate frame or part damage; pay particular attention to all frame joints.
- Visually inspect for bent components: seat rails, seat post, stem, handlebars, chainrings, crankarms, brake calipers and brake levers.

Every six months:

- Inspect and readjust bearings in headset, hubs, pedals and bottom bracket (if possible; some sealed cartridge bearings cannot be adjusted, only replaced)

Annually:

- Disassemble and overhaul; replace all bearings (if possible); and remove and if necessary replace all brake and shift cables. This should be performed at 6000 miles if you ride more than that per year. Commuters who often ride in the rain or mountain bikers who get dirty should overhaul their bicycles more often.
- Before any important journey it's a good idea to have a professional double check all adjustments so no problem spoils your great ride.

KETTLER® Parts Order Form

KETTLER International, Inc.
Parts & Service Dept.
1355 London Bridge Rd.
Virginia Beach, VA 23453

Phone - 866.804.0440
Fax - 757.563.9273
Email - parts@kettlerusa.com
Web Site - www.KETTLERusa.com

Model # _____ Unit that parts are being requested for:
(Required)* Model Name _____
Serial # _____

Qty	Parts Description	Item # (Optional)
_____	_____	_____
_____	_____	_____

Spare parts do not include mounting hardware. Please specify "with hardware" if needed.

Is this a warranty parts order?

Yes _____ Date of purchase: _____ Place of Purchase: _____
(Proof of purchase may be required)

Reason for order: _____
Method of payment:

No _____ Check: _____ CC: _____

We accept **Visa, MC**, and/or **prepaid check/money order only**. Part orders are subject to a S&H fee.

Card type: _____ Card No.: _____ Exp: _____
(Required)
Last 3 digits from security code on back of CC: _____)

Ship to: Name: _____

Attn: _____ P.O./Reference #: _____

Address: _____

City: _____ State/
Prov: _____

Zip/Postal Code: _____ Country: _____

Home Phone Number: _____ Fax: _____

Email: _____

Billing Address for CC: (If different from above address)

Address: _____

Zip/Postal Code: _____



KETTLER® International, Inc.
1355 London bridge Road
Virginia Beach, Virginia 23453 USA
Parts/Service 866-804-0440
parts@KETTLEUSA.com
www.KETTLEUSA.com

Please visit our website for further assembly instructions

Free Manuals Download Website

<http://myh66.com>

<http://usermanuals.us>

<http://www.somanuals.com>

<http://www.4manuals.cc>

<http://www.manual-lib.com>

<http://www.404manual.com>

<http://www.luxmanual.com>

<http://aubethermostatmanual.com>

Golf course search by state

<http://golfingnear.com>

Email search by domain

<http://emailbydomain.com>

Auto manuals search

<http://auto.somanuals.com>

TV manuals search

<http://tv.somanuals.com>