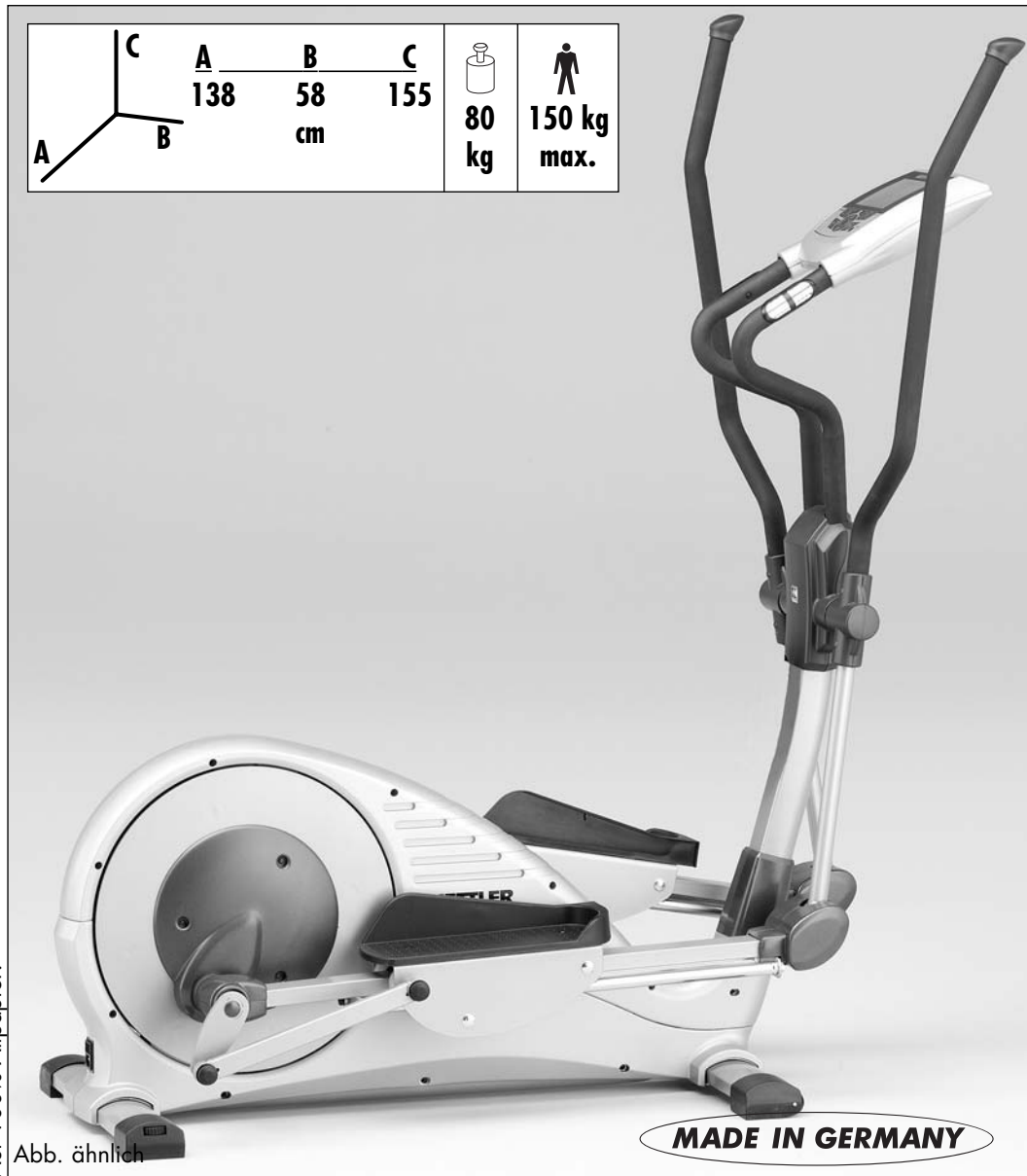


KETTLER

HKS-SELECTION

Montageanleitung Cross-Trainer Ergometer „EXT 7“

Art.-Nr. 07863-000, -090



- D
- GB
- USA
- F
- NL
- E
- I
- PL



GB USA Important Instructions

Please read these instructions carefully prior to carrying out assembly and using for the first time. They contain information which is important for your safety as well as for the use and maintenance of the appliance. Keep these instructions in a safe place for reference purposes, maintenance work and to assist you when ordering spare parts.

For Your Safety

- The crosstrainer should be used only for its intended purpose, i.e. for physical exercise by adult people.
- Any other use of the equipment is prohibited and may be dangerous. The manufacturer cannot be held liable for damage or

injury caused by improper use of the equipment.

- The crosstrainer has been designed in accordance with the latest standards of safety. Any features which may have been a possible cause of injury have been avoided or made as safe as possible.
- The crosstrainer complies with the DIN EN 957 -1/-9, class HA. It is therefore unsuitable for therapeutic use.
- Incorrect repairs and structural modifications (e.g. removal or replacement of original parts) may endanger the safety of the user.
- Damaged components may endanger your safety or reduce the lifetime of the equipment. For this reason, worn or damaged parts should be replaced immediately and the equipment taken out of use until this has been done. Use only original KETTLER spare parts.
- In case of enquiry, please contact your KETTLER dealer.
- **If the equipment is in regular use, check all its components thoroughly every 1–2 months. Pay particular attention to the tightness of bolts and nuts. This is particularly true for the attachment of grip strap, running plate and fastening of the handlebar and front tube.**
- Instruct people using the equipment (in particular children) on possible sources of danger during exercising.
- Before beginning your program of exercise, consult your doctor to ensure that you are fit enough to use the equipment. **Base your program of exercise on the advice given by your doctor. Incorrect or excessive exercise may damage your health!**
- **Any interference with parts of the product that are not described within the manual may cause damage, or endanger the person using this machine. Extensive repairs must only be carried out by KETTLER service staff or qualified personnel trained by KETTLER.**
- To ensure that the safety level is kept to the highest possible standard, determined by its construction, this product should be serviced regularly (once a year) by specialist retailers.

Handling the equipment

- Before using the equipment for exercise, check carefully to ensure that it has been correctly assembled.
- It is not recommended to use or store the apparatus in a damp room as this may cause it to rust. **Please ensure that no part of the machine comes in contact with liquids (drinks, perspiration etc.). This may cause corrosion.**
- The machine is designed for use by adults and children should not be allowed to play with it. Children at play behave unpredictably and dangerous situations may occur for which the manufacturer cannot be held liable. If, in spite of this, children are allowed to use the equipment, ensure that they are instructed in its proper use and supervised accordingly.
- Use for your regular cleaning, maintenance and care our ap-

Instructions for Assembly

- Ensure that you have received all the parts required (see check list) and that they are undamaged. Should you have any cause for complaint, please contact your KETTLER dealer.
- Before assembling the equipment, study the drawings carefully and carry out the operations in the order shown by the diagrams. The correct sequence is given in capital letters.
- Please note that there is **always** a danger of injury when wor-

- Before use, always check all screws and plug-in connections as well as respective safety devices fit correctly.

⚠ **Caution:** While assembly of the product keep off children's reach (Choking hazard - contains small parts).

- Before beginning your first training session, familiarize yourself thoroughly with all the functions and settings of the unit.
- Always wear suitable shoes when using.
- Before beginning your program of training, study the instructions for training carefully.
- Our products are subject to a constant innovative quality assurance. We reserve the right to perform technical modifications.
- In choosing the location of the apparatus, ensure a sufficient safety distance from any obstacles. The apparatus must not be mounted in the immediate vicinity of main passageways (paths, doorways, corridors).
- **All** electric appliances emit electromagnetic radiation when in operation. Please do not leave especially radiation-intensive appliances (e.g. mobile telephones) directly next to the cockpit or the electronic controlsystem as otherwise values displayed might be distorted (e.g. pulse measurement).
- The device requires a supply voltage of 230V, 50 Hz. Connect the power cord with a grounded protective contact socket.
- **Important:** Do not under any circumstances carry out electrical repairs or alterations yourself. Always ensure that such work is done by a properly qualified electrician.
- **Important:** disconnect the apparatus from the mains before doing repair, maintenance or cleaning work.
- Do not use a multiple power socket for the running belt. If an extension cable is being used, ensure that it complies with the VDE regulations.
- Unplug the power cord of the device from the socket if not used for a longer period.
- Ensure that the power cable is not pinched and that no-one can trip over it.

pliance maintenance set (Article no. 07921-000) specifically licensed for KETTLER Sports apparatus and available from the Sport specialized trade.

- **Please ensure that liquids or perspiration never enter the machine or the electronics.**
- The equipment is dependent of revolutions per minute.
- A slight production of noise at the bearing of the centrifugal mass is due to the construction and has no negative effect upon operation. Possibly occurring noise during reverse pedalling result from engineering and are absolutely safe.
- The crosstrainer has a magnetic brake system.

king with tools or doing manual work. Therefore please be careful when assembling this machine.

- Ensure that your working area is free of possible sources of danger, for example don't leave any tools lying around. Always dispose packaging material in such a way that it may not cause any danger. There is always a **risk of suffocation** if children play with plastic bags!

GB USA Important Instructions

- The equipment must be assembled with due care by an adult person. If in doubt call upon the help of a second person, if possible technically talented.
- The fastening material required for each assembly step is shown in the diagram inset. Use the fastening material exactly as instructed. The required tools are supplied with the equipment.
- Bolt all the parts together loosely at first, and check that they have been assembled correctly. Tighten the locknuts by hand

List of spare parts page 23-27

When ordering spare parts, always state the full article number, spare-partnumber, the quantity required and the S/N of the product (see handling).

Example order: Art. no. 07863-000 / spare-part no. 70121517 / 2 pieces / S/N

Please keep original packaging of this article, so that it may be used for transport at a later date, if necessary.

Goods may **only** be returned after prior arrangement and in (internal) packaging, which is safe for transportation, in the original box if possible.

It is important to provide a detailed defect description / damage report!

Important: spare part prices do not include fastening material; if fastening material (bolts, nuts, washers etc.) is required, this should be clearly stated on the order by adding the words „with

until resistance is felt, **then use spanner to finally tighten nuts completely against resistance (locking device)**. Then check that all screw connections have been tightened firmly. **Attention:** once locknuts have been unscrewed they no longer function correctly (the locking device is destroyed), and must be replaced.

- For technical reasons, we reserve the right to carry out preliminary assembly work (e.g. addition of tubing plugs).

fastening material“.

Waste Disposal



KETTLER products are recyclable. At the end of its useful life please dispose of this article correctly and safely (local refuse sites).

GB KETTLER (GB) Ltd.

Merse Road · North Moons Moat · Redditch, Worcestershire B98 9HL · Great Britain

<http://www.kettler.co.uk>

USA KETTLER International Inc.

1355 London Bridge Road · VA 23453 Virginia Beach USA

<http://www.kettlerusa.com>

Checkliste (Packungsinhalt)

GB Checklist (contents of packaging)

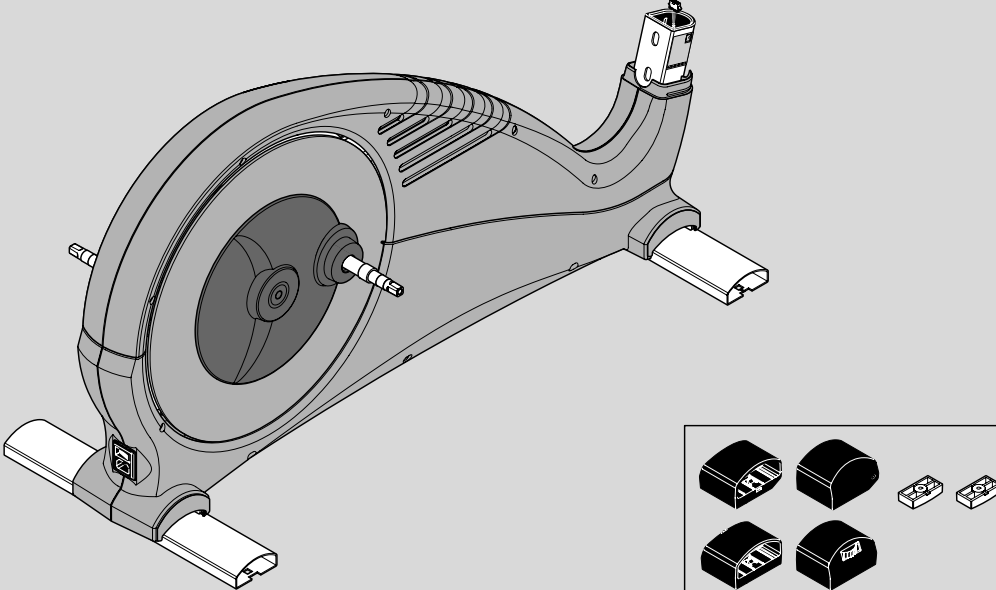
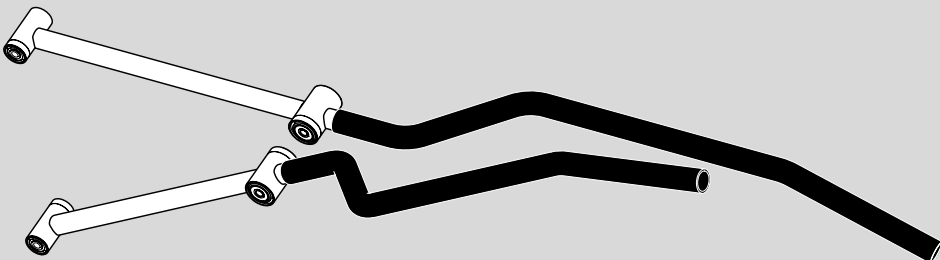
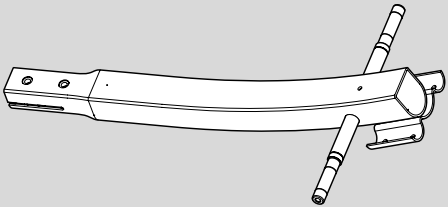
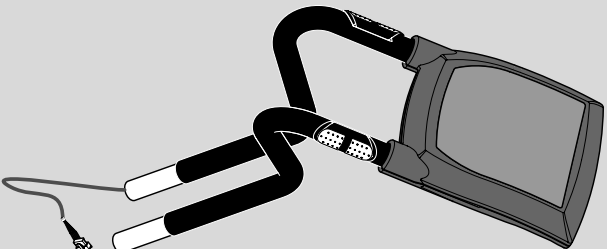
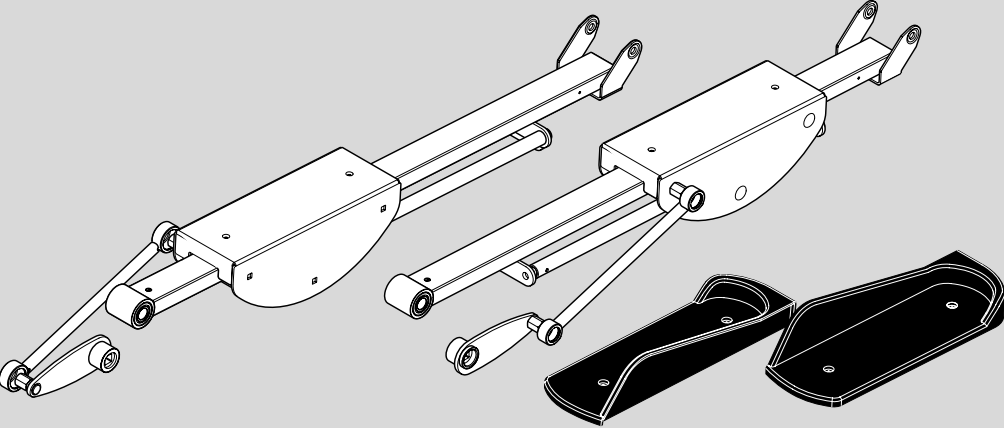
F Liste de vérification (contenu de l'emballage)

NL Checklijst (verpakking inhoud)

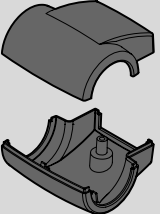
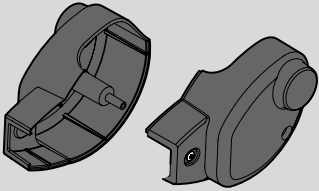
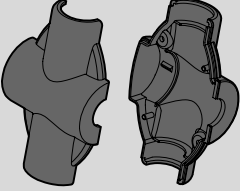
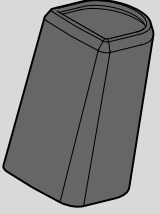
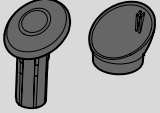


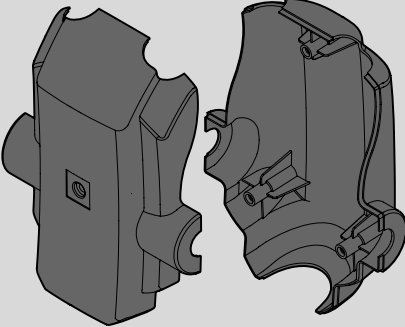
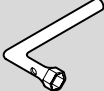

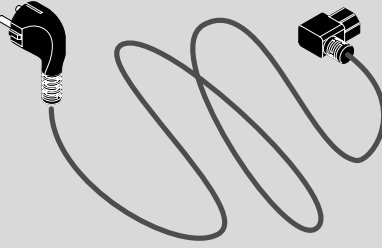
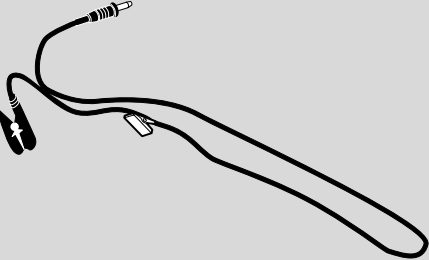
E Lista de control (contenido del paquete)

I Lista di controllo (contenuto del pacco)

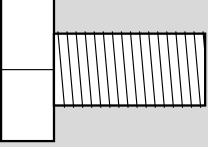
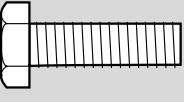


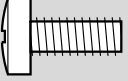
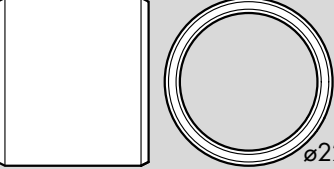
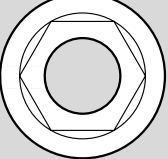

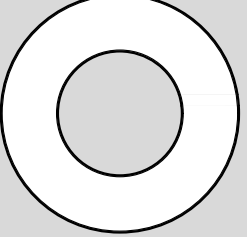
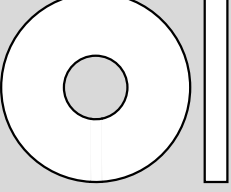

PL Lista kontrolna (zawartość opakowania)

 <p>The main device is a large, grey, curved unit with a circular fan on the left side and a USB port on the right. Below it, there is an inset showing four black caps and two small white components.</p>	1	
 <p>Two cables are shown: one is a long, thin white cable with a connector at the end, and the other is a thicker, black cable with a similar connector.</p>	1/1	
 <p>A long, thin, white component with a small connector at one end and a larger, rectangular part at the other.</p>	1	
 <p>A device with a screen and a control panel, connected to two cables. One cable is black and the other is white.</p>	1	
 <p>Two long, thin mechanical components with rollers and a central housing, along with two black rectangular plates.</p>	1/1	

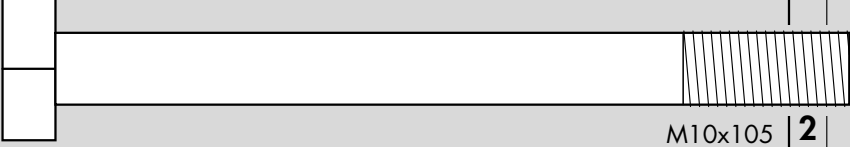
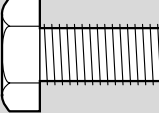
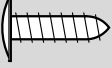

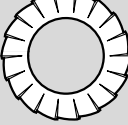

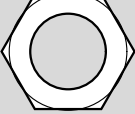

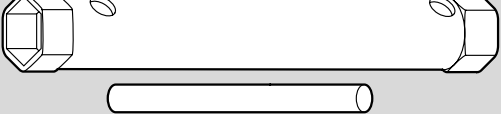
Checkliste (Packungsinhalt)

	2/2		2/2
	2/2		1
	2/2		1/1
	2		1/1
	1		
	1		
			
		1/1	

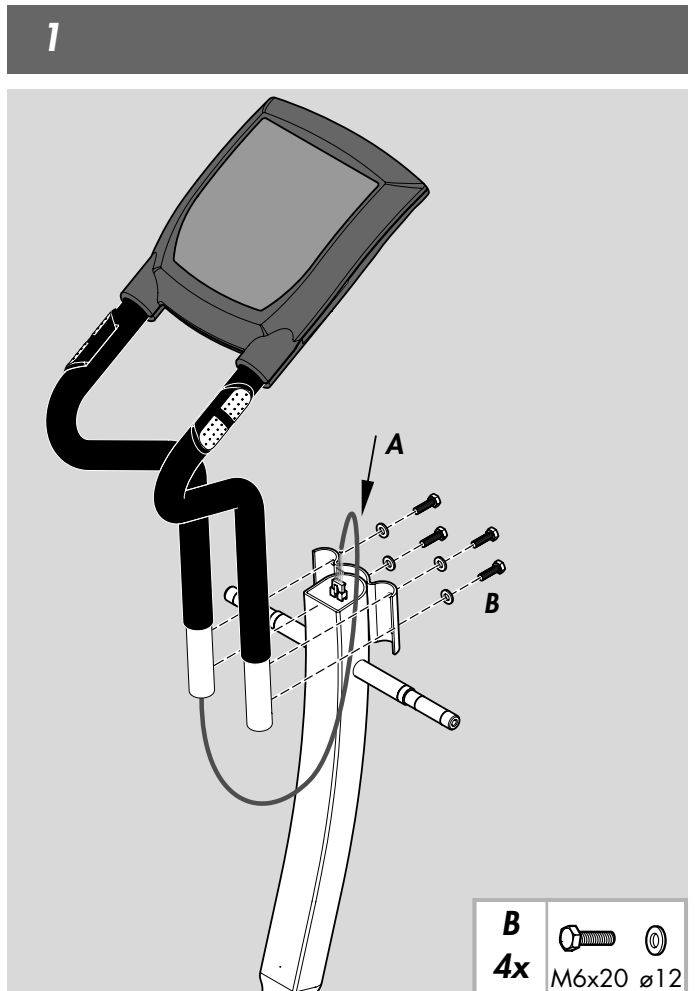
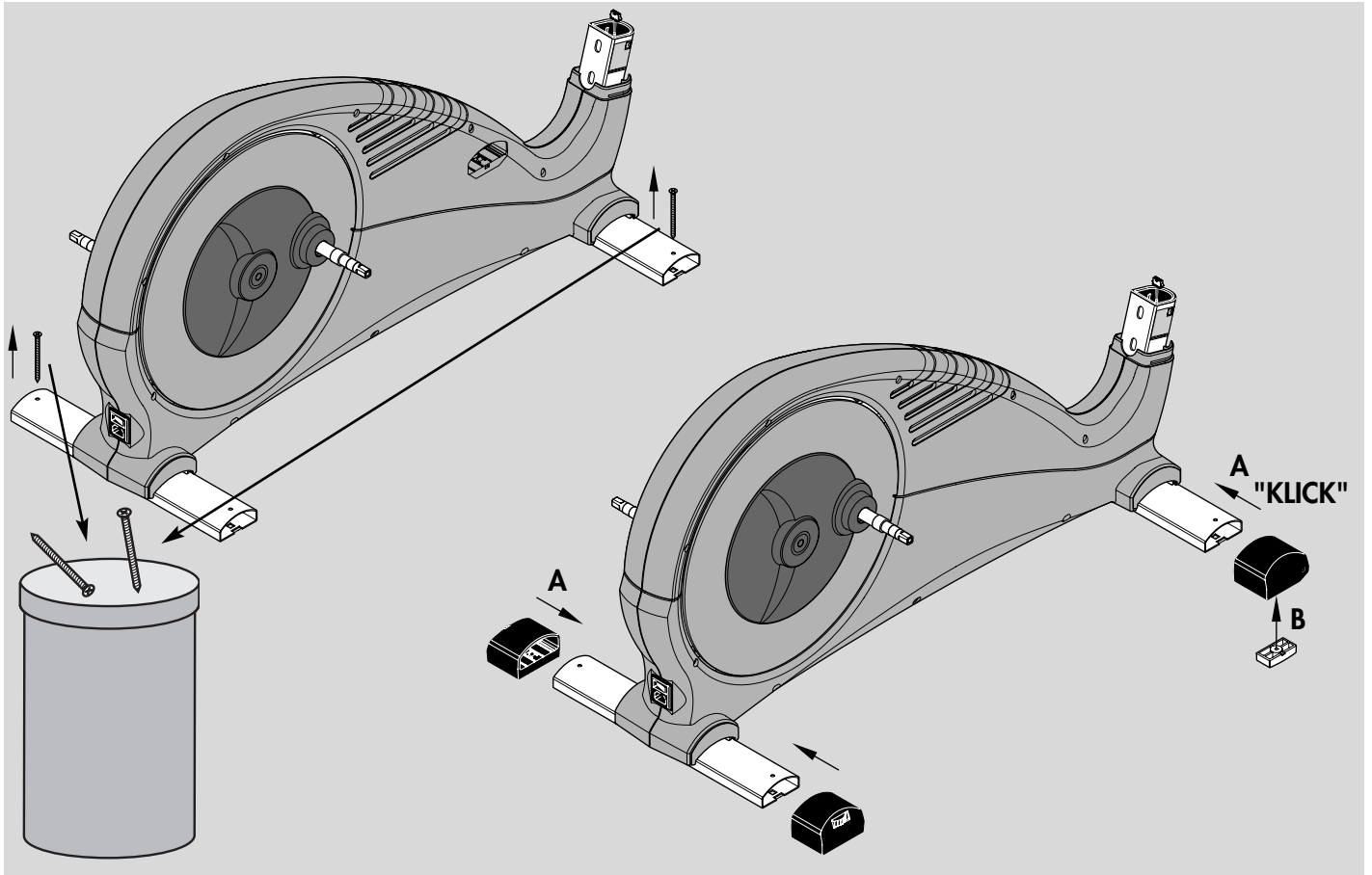
Schraubenbeutel 1/2 94318050

	M10x20	4
	M6x20	4
	4x35	7
	3,9x9,5	4
	M5x12	4
	ø22,2x20	2
	M10x1,25	2
		2
	ø31,5x16,3	6
	ø25x8,4x3	2
	ø18x11,3x2	4

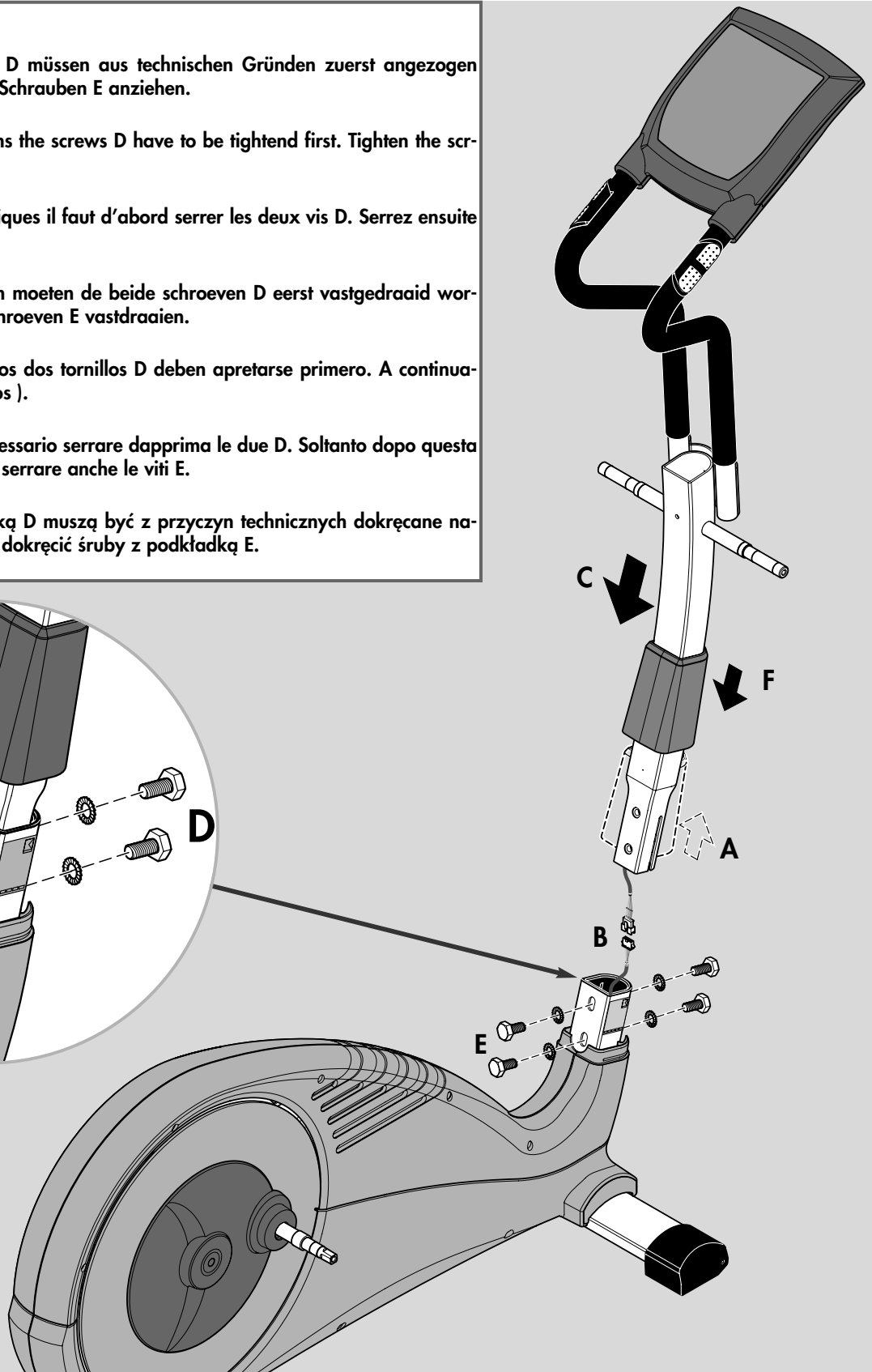
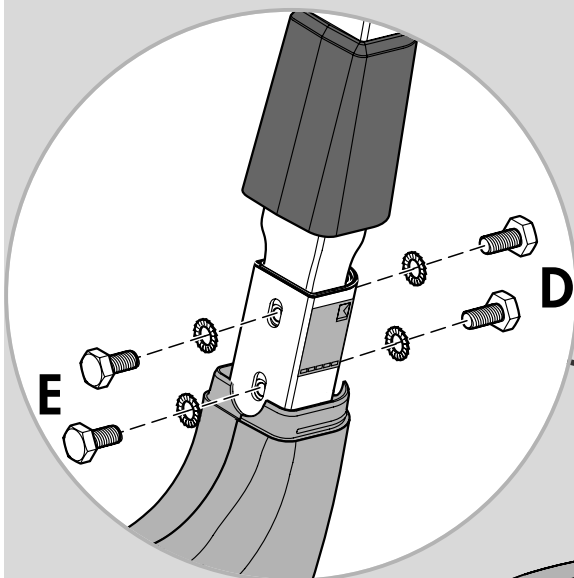
Schraubenbeutel 2/2 94317852

	M10x105	2
	M8x16	2
	3,9x13	4
	ø6x9,5	1
	ø10	4
	ø12,5x6,4	4
	M10	2
		4
	SW10/13	1

- Ⓓ **Die Schraubenbeutel immer zusammen bestellen.**
- ⒼⒷ **Always order both screw bags.**
- Ⓕ **L'ensemble des vis est à commander en une seule.**
- ⒼⓃ **De zakjes met schroeven altijd samen bestellen.**
- Ⓔ **Pida siempre la bolsa de tornillos.**
- Ⓘ **Ordinare sempre assieme le buste con le viti.**
- Ⓐ **Worki ze śrubami zawsze zamawiać razem.**

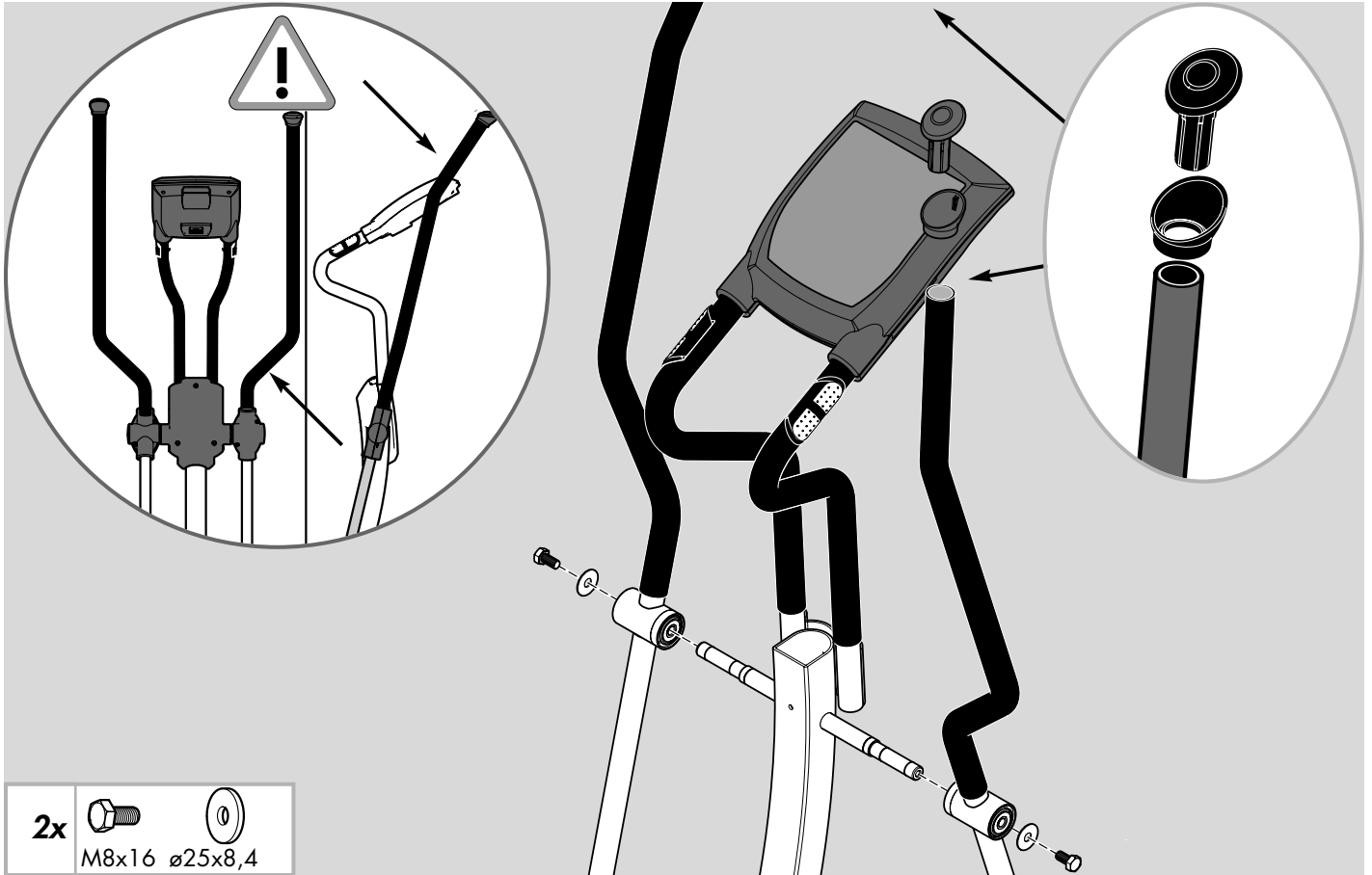



- (D) ACHTUNG!**
Die beiden Schrauben D müssen aus technischen Gründen zuerst angezogen werden. Erst dann die Schrauben E anziehen.
- (GB) IMPORTANT!**
Due to technical reasons the screws D have to be tightened first. Tighten the screws E last.
- (F) ATTENTION!**
Pour des raisons techniques il faut d'abord serrer les deux vis D. Serrez ensuite seulement les vis E.
- (NL) LET OP!**
Om technische redenen moeten de beide schroeven D eerst vastgedraaid worden. Pas daarna de schroeven E vastdraaien.
- (E) ¡ATENCIÓN!**
Por razones técnicas, los dos tornillos D deben apretarse primero. A continuación apretar los tornillos E.
- (I) ATTENZIONE!**
Per motivi tecnici è necessario serrare dapprima le due D. Soltanto dopo questa operazione si possono serrare anche le viti E.
- (PL) UWAGA!**
Obie śruby z podkładką D muszą być z przyczyn technicznych dokręcane najpierw. Dopiero potem dokręcić śruby z podkładką E.



- (D)** Schraubverbindung regelmäßig kontrollieren.
- (GB)** The screwed connections must be controlled at regular intervals.
- (F)** Resserrer le raccord à vis à intervalles réguliers.
- (NL)** Schroefverbinding moet regelmatig opnieuw vastgedraaid worden.
- (E)** La atornilladura debe ser apretada con regularidad.
- (I)** Il collegamento a vite va riserrato ad intervalli regolari.
- (PL)** Połączenie śrubowe musi być regularnie dokręcane.

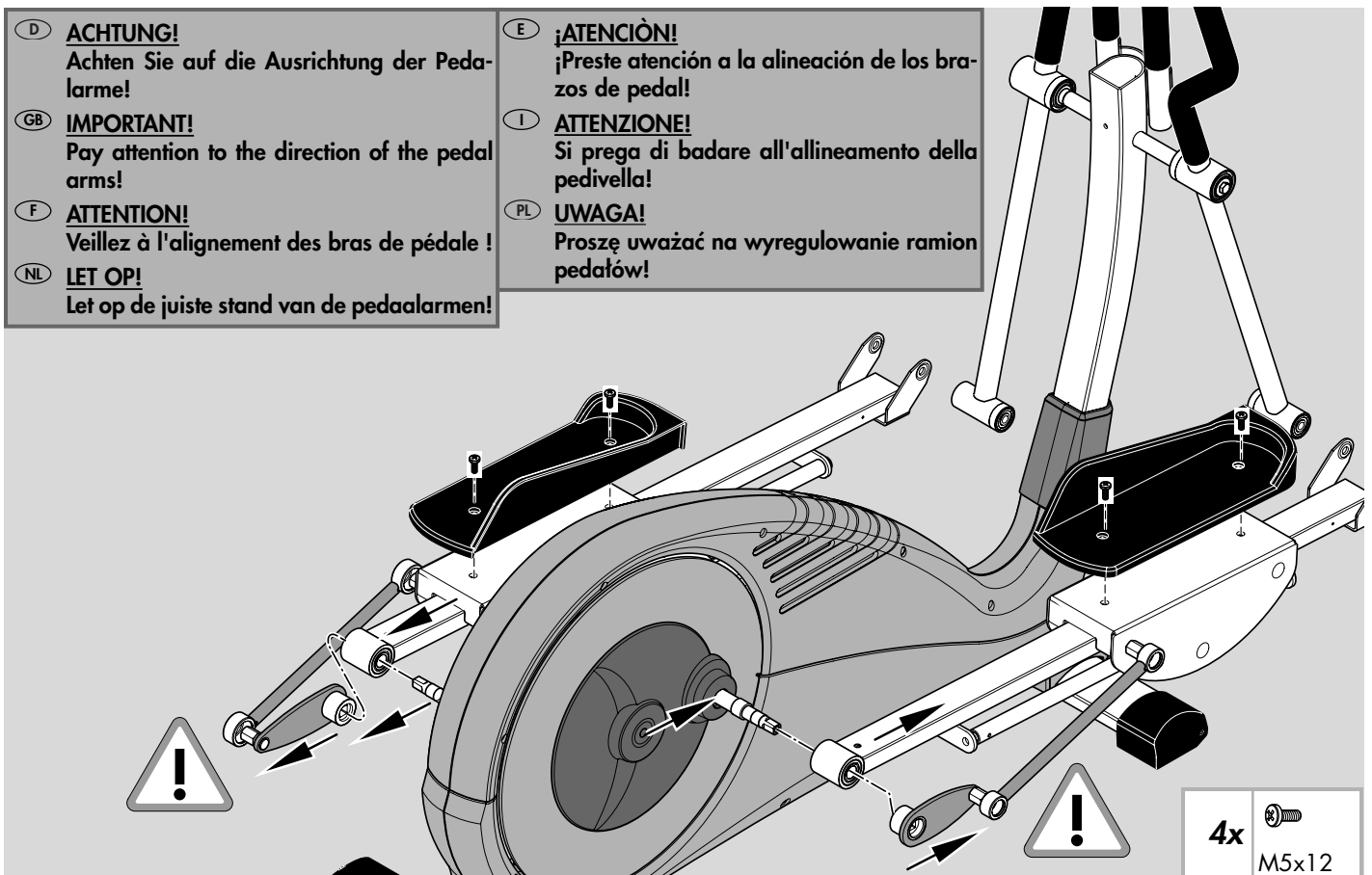
4x  
M10x20 ø10



2x 
M8x16 ø25x8,4

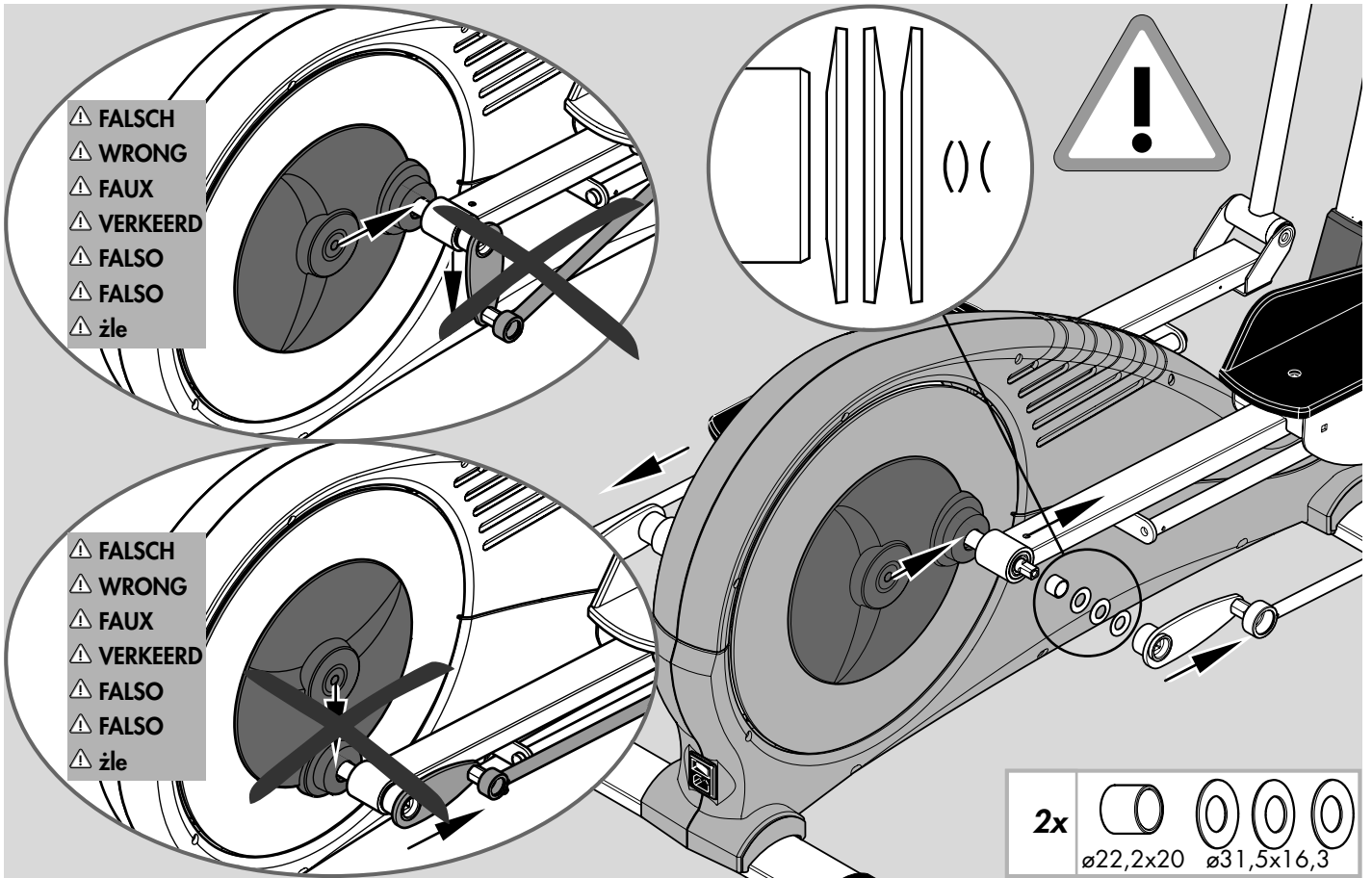
- (D) ACHTUNG!**
Achten Sie auf die Ausrichtung der Pedalarme!
- (GB) IMPORTANT!**
Pay attention to the direction of the pedal arms!
- (F) ATTENTION!**
Veillez à l'alignement des bras de pédale !
- (NL) LET OP!**
Let op de juiste stand van de pedaalarmen!

- (E) ¡ATENCIÓN!**
¡Preste atención a la alineación de los brazos de pedal!
- (I) ATTENZIONE!**
Si prega di badare all'allineamento della pedivella!
- (PL) UWAGA!**
Proszę uważać na wyregulowanie ramion pedałów!

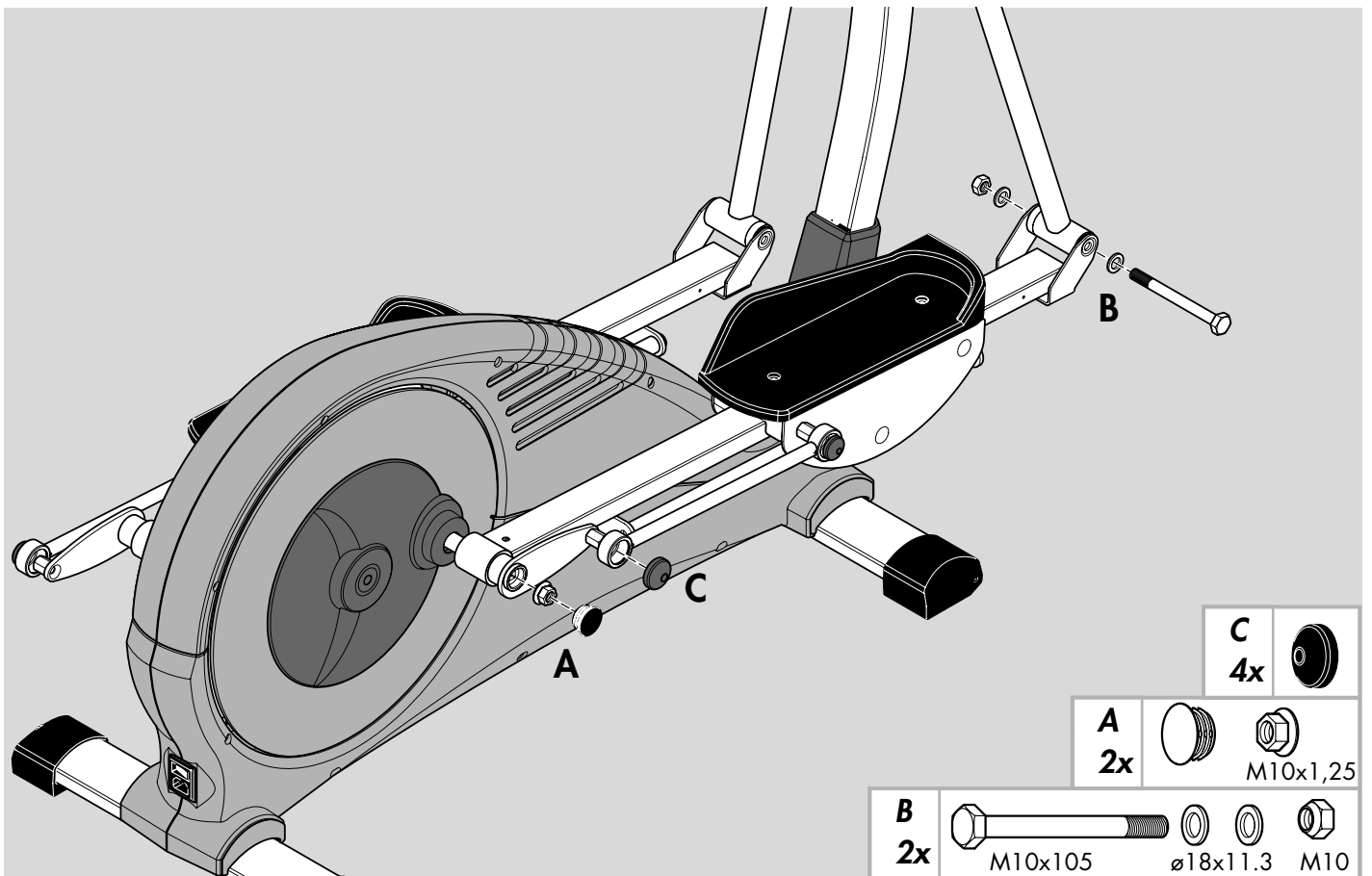


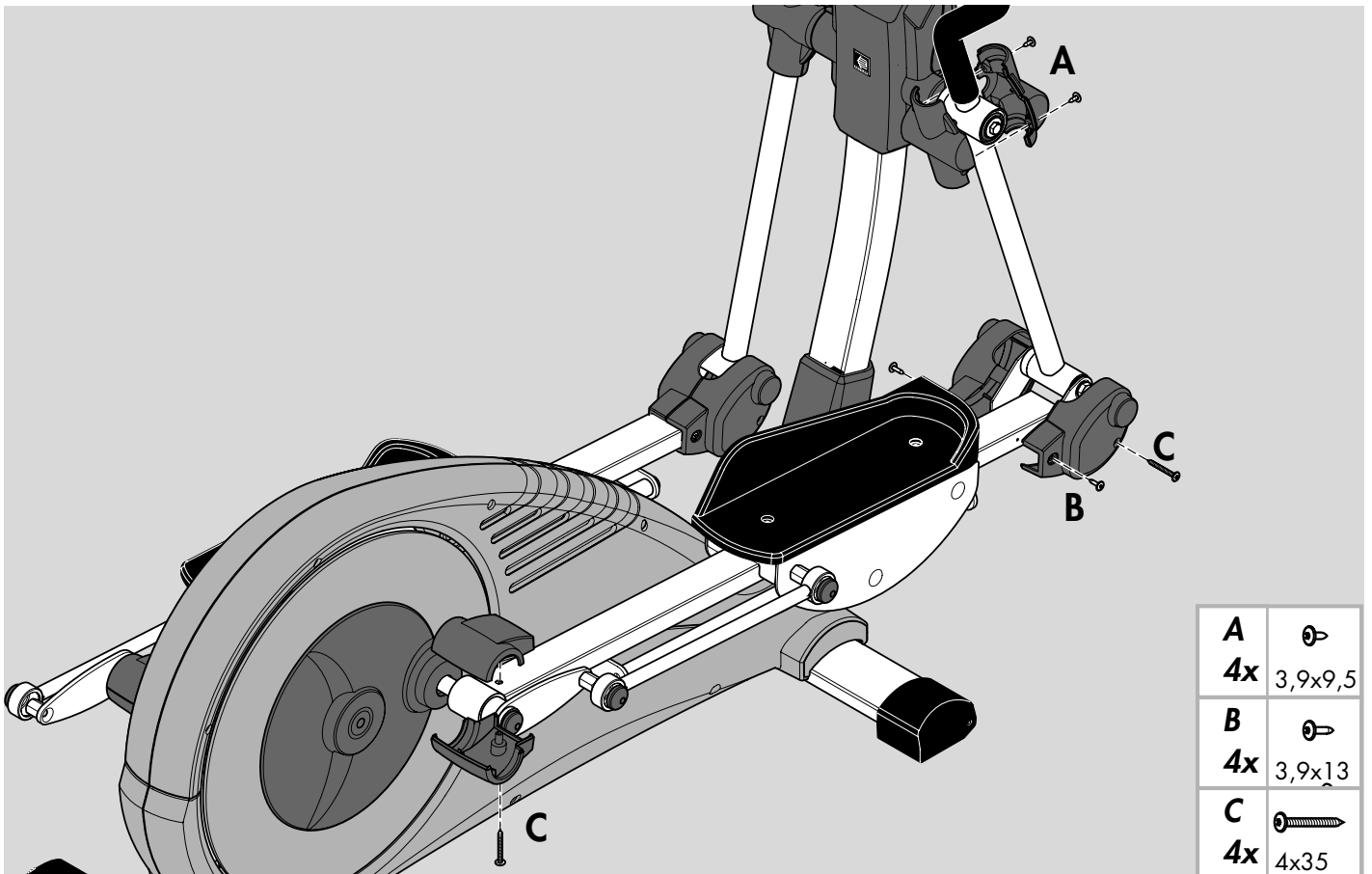
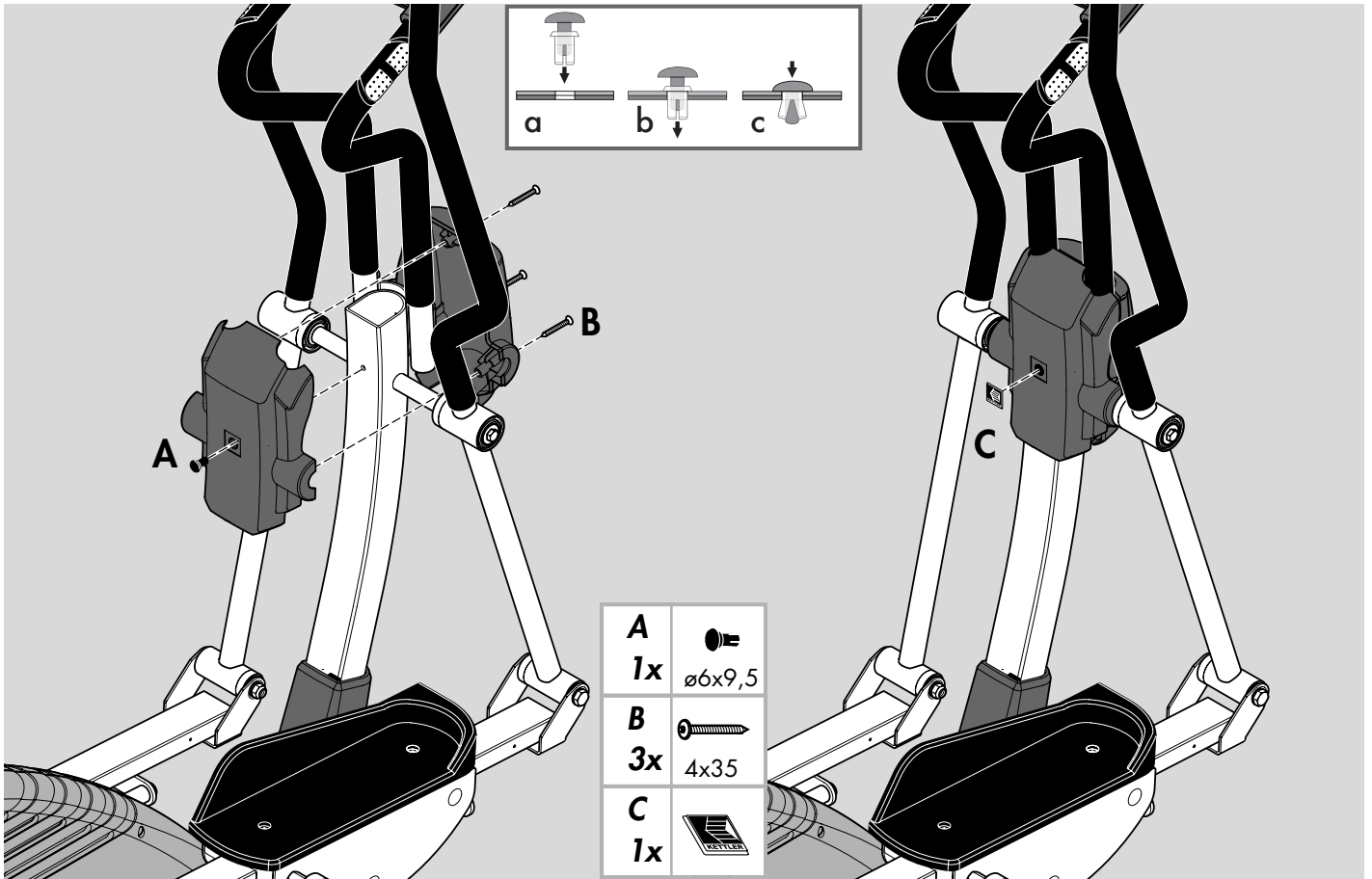
4x 
M5x12

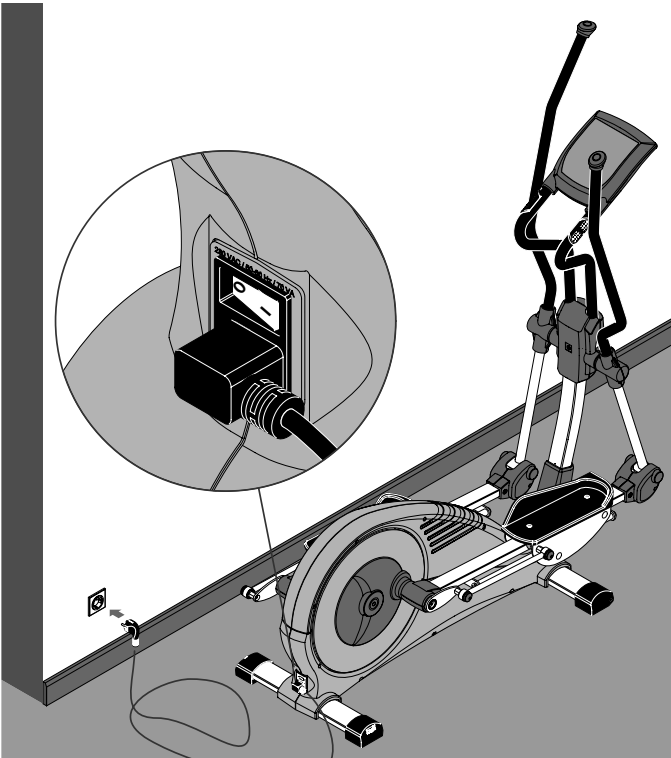
5



6







Ⓓ Bei Geräten mit Netzteil: **Achtung!** Betrieb nur mit mitgeliefertem Original-Netzteil der Original-KETTLER-Ersatzteil (siehe Ersatzteilliste) zulässig. Ansonsten Gefahr der Beschädigung.

ⒼⒷ For products with power supply: **Attention!** Only use with original power unit as supplied, or with original KETTLER spare part (see spare part list). **Otherwise this may result in damage.**

Ⓕ Pour les appareils avec bloc secteur: **Attention!** Exploiter uniquement l'appareil avec son bloc secteur original qui fait partie de la fourniture ou une pièce de rechange originale de KETTLER (voir liste des pièces de rechange). **Sinon risque de détérioration.**

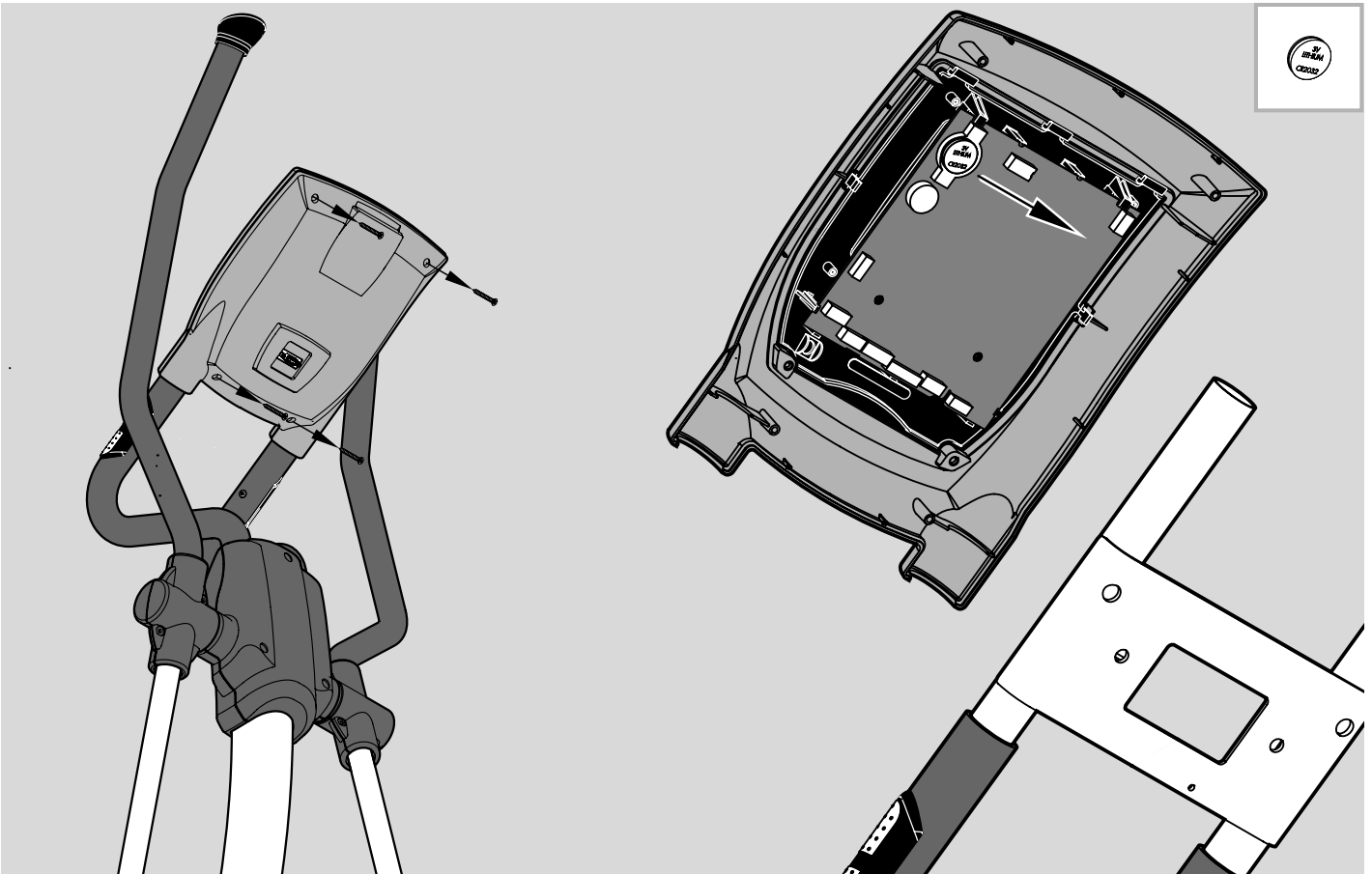
ⒼⒽ Bij apparaten met transformator: **Let op!** Gebruik alleen toegestaan met de bijgeleverde originele transformator of origineel KETTLER-onderdeel (zie onderdelenlijst). **Anders gevaar voor beschadiging.**

Ⓔ En aparatos con fuente de alimentación: **¡Atención!** Funcionamiento solamente autorizado con la fuente de alimentación original suministrada o con pieza de recambio original de KETTLER (ver lista de piezas de recambio). **De lo contrario podría ocasionar daños.**

Ⓘ Apparecchi con alimentatore: **Attenzione!** L'utilizzo è consentito soltanto con l'alimentatore originale fornito in dotazione oppure con parte di ricambio originale della KETTLER (vedasi lista delle parti di ricambio). **Altrimenti sussiste il rischio di danneggiamenti.**

ⒼⒽ Dotyczy urządzeń z zasilaczem: **Uwaga!** Eksploatacja urządzenia jest możliwa tylko z dostarczonym oryginalnym zasilaczem lub z oryginalnym urządzeniem zastępczym marki KETTLER (patrz ? Lista części zamiennych). **W przeciwnym razie istnieje ryzyko uszkodzenia.**

Batteriewechsel



Batteriewechsel

Weicht Uhrzeit und/oder Datumsanzeige trotz erneuter Einstellung bald erheblich ab, wird ein Batteriewechsel erforderlich. Der Computer ist mit einer Batterie ausgestattet. Nehmen Sie den Batteriewechsel wie folgt vor:

- Schrauben Sie das Cockpit-Hinterteil ab und ersetzen Sie die Batterie durch eine neue vom Typ 3V Lithium CR2032.
- Achten Sie auf die korrekte Polarität.
- Sollte es nach dem Wiedereinschalten zu Fehlfunktionen kommen, klemmen Sie die Batterien noch einmal kurz ab und wieder an.

Wichtig: Aufgebrauchte Batterien fallen nicht unter die Garantiebestimmungen.



Verbrauchte Energiezellen dürfen nicht mehr in den Hausmüll.

Bitte leisten Sie Ihren Beitrag zum Umweltschutz und geben Sie verbrauchte Batterien beim Handel oder bei den Rücknahmestellen der Kommunen ab, damit die gesammelten Batterien anschließend ordnungsgemäß beseitigt oder umweltverträglich recycelt werden können.

(GB) Battery change

If time and/or date deviate considerably although they were reset recently the battery should be changed. The computer has a battery. Please proceed as follows:

- Unscrew the back of the cockpit and replace the battery with the correct type: 3V Lithium CR2032.
- Ensure correct polarity.
- Should there be any misoperation after switching on the computer again, shortly disconnect the batteries once again and reinsert them.

Important: The guarantee does not cover worn-out batteries.



You should no longer put used batteries in domestic waste. Please do your bit for the environment and return your batteries to the trade or to the local authority pick-up point so that the collected batteries can be properly disposed of or recycled in an environment-friendly way

(F) Changement de piles

En cas d'indication incorrecte de la date / heure, le changement de piles est nécessaire. L'ordinateur est équipé d'une pile. Suivez la procédure suivante :

- Dévissez l'envers du cockpit et changez la pile. Utilisez toujours des piles du type 3V Lithium CR 2032.
- Faites attention à la polarité.
- En cas de dysfonctionnement après la remise en marche, enlevez brièvement les piles et remettez-les ensuite.

Important: Les piles usées sont exclues des dispositions de garantie.



Il est interdit de mettre les piles usées aux ordures ménagères. Merci de contribuer à la protection de l'environnement et de rendre les piles usées soit au magasin soit aux localités de reprise de la commune dans le but d'éliminer les piles collectées ou de les recycler de manière non polluante.

(NL) Omwesseln van de Batterijen

Als de tijd en/of datumweergave ondanks opnieuw instellen snel weer afwijken, is het noodzakelijk de batterijen te verwisselen. De computer is met batterijen uitgerust. De batterijen kunt u op de

onderstaande manier verwisselen:

- Schroef het plaatje aan de achterzijde van de computer los en vervang de batterij door een nieuwe van het type 3V lithium CR2032.
- Let op dat u de + en - zijde goed plaatst.
- Komen er na verwisseling nog foutieve functies voor, haalt u dan de batterijen nog eens uit het vak en duw ze weer terug.

Belangrijk: batterijen vallen niet onder de garantie.



Lege energiecellen mogen niet met het huisvuil mee. Lever uw bijdrage aan het milieu en lever gebruikte batterijen apart in bij de daarvoor aangewezen depots, zodat de ingezamelde batterijen daarna naar behoren vernietigd en milieuvriendelijk gerecycled kunnen worden.

(E) Cambio de la pila

Si el indicador de la hora y/o de la fecha difiere pronto a pesar de haber reajustado, tendrá que cambiar la batería. El ordenador viene con una batería. Cambie la batería como sigue:

- destornille la parte trasera de la cabina de pilotaje y cambie la batería por una nueva de tipo 3V Lithium CR2032.
- Preste atención a la polaridad correcta.
- Si después de ser puesto de nuevo en funcionamiento se produjeran errores, desconecte brevemente las pilas y vuelva a conectarlas.

Importante: Las pilas gastadas no est-n incluidas en la garantía.



No se deben echar las baterías energéticas gastadas en la basura doméstica. Por favor contribuya usted por su parte a la protección del medio ambiente y deposite las pilas gastadas en los comercios especializados o en los puntos de recogida de su localidad, para que se puedan posteriormente eliminar y reciclar debidamente.

(I) Cambio delle batteria

Se l'indicazione dell'ora e/o della data differisce nuovamente e sensibilmente nonostante la regolazione, è necessario sostituire la batteria. Il computer è infatti dotato di batteria. Procedere alla sostituzione della batteria nel modo seguente:

- Svitare la parte posteriore del cockpit e sostituire la batteria con una nuova tipo 3V Lithium CR2032.
- Fate attenzione alla corretta polarità.
- Se dopo l'inserimento ci dovessero essere funzioni sbagliate, staccate di nuovo le batterie per poco e attaccatele di nuovo.

Importante: Le batterie usate non rientrano nelle condizioni di garanzia.



Le batterie usate non devono essere gettate nella spazzatura.

Vi preghiamo di contribuire alla salvaguardia dell'ambiente e di consegnare le batterie usate ai punti pubblici di raccolta, che provvederanno al loro smaltimento o a riciclarle senza provocare danni all'ambiente.

(PL) Wymiana baterii

Odbiegają znacznie wskazania czasu albo daty pomimo ponownego ustawienia, będzie wymagana wymiana baterii. Komputer jest wyposażony w baterię. Wymianę baterii dokonujemy w następujący sposób:

- Odkręcić tylny kokpit i wymienić baterię na nową o typie 3 V

Batteriewechsel

Lithium CR2032.

- Zwrócić uwagę na właściwą biegunowość.
- Jeżeli po ponownym włączeniu stwierdzi się niewłaściwe działanie, to baterie należy na chwilę wyjąć i potem ponow-

nie włożyć.

Uwaga: Zużyte baterie nie podlegają pod warunki gwarancyjne.



Zużytych baterii nie wyrzucać do domowych śmieci. Mając na uwadze ochronę środowiska naturalnego należy baterie oddać w sklepie lub w lokalnym punkcie zbiórki zużytych baterii. W ten sposób baterie zostaną prawidłowo usunięte i poddane ekologicznemu recyklingowi.

Handhabungshinweise

GB Handling

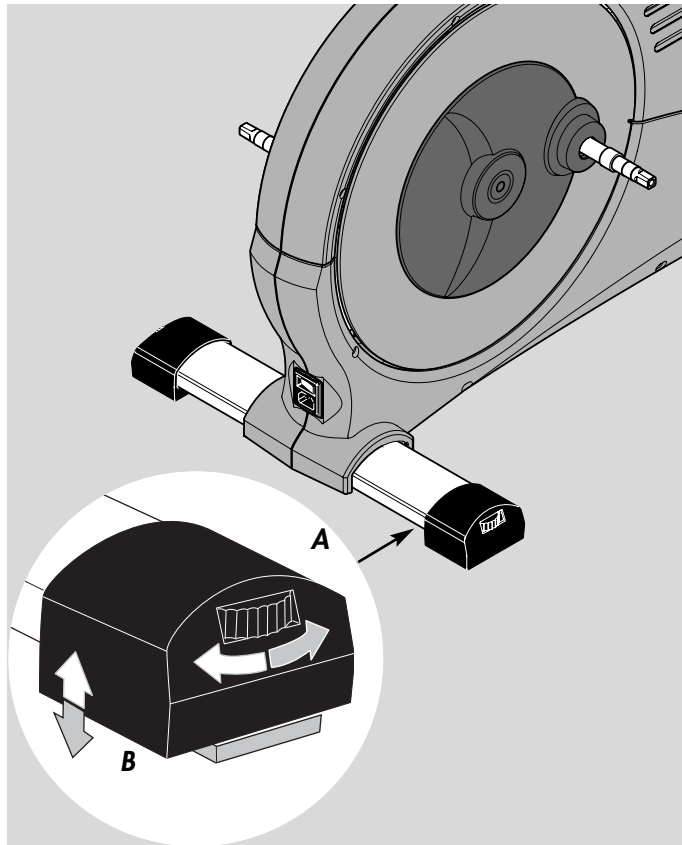
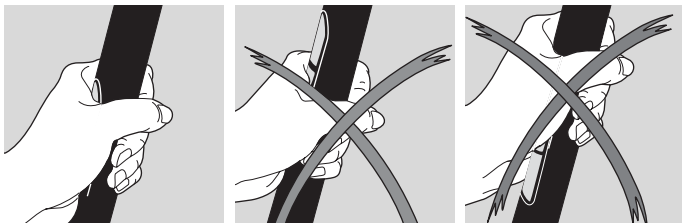
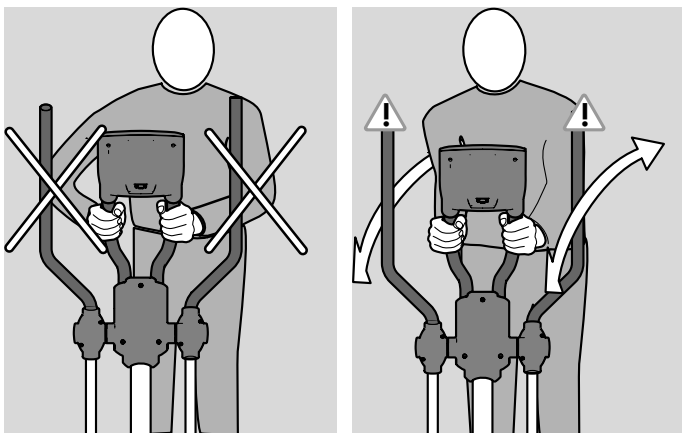
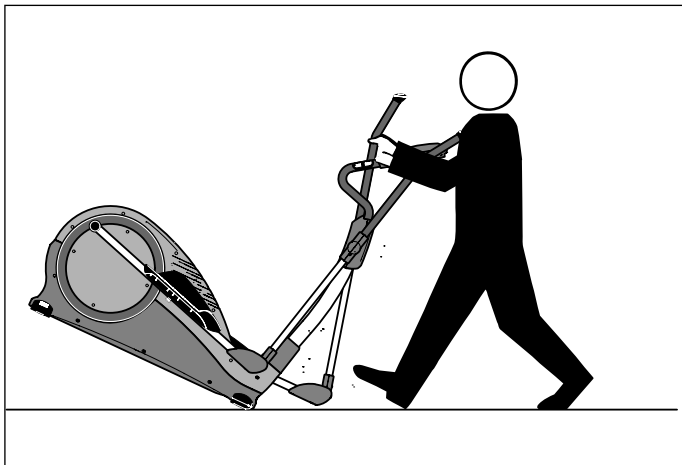
F Utilisation

NL Handleiding

E Aplicación

I Utilizzo

PL Zastosowanie

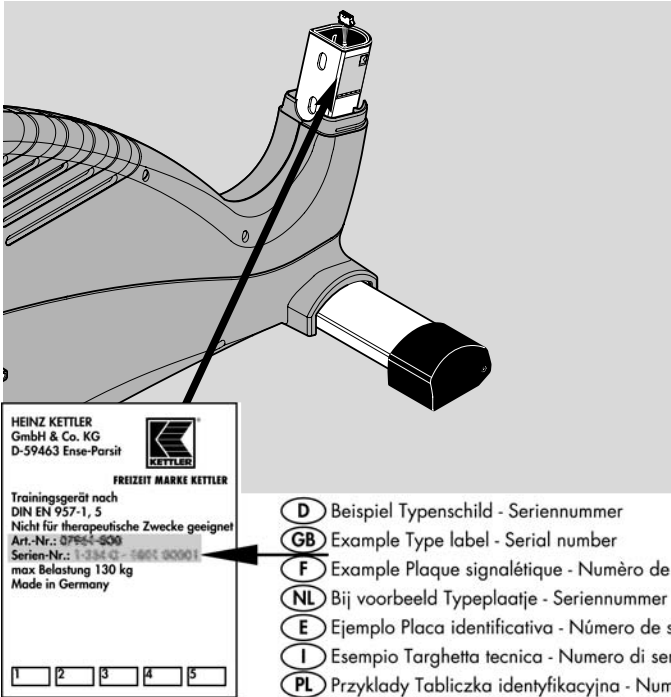


Ersatzteilbestellung

- GB** Spare parts order
- E** Pedido de recambios

- F** Commande de pièces de rechange
- I** Ordine di pezzi di ricambio

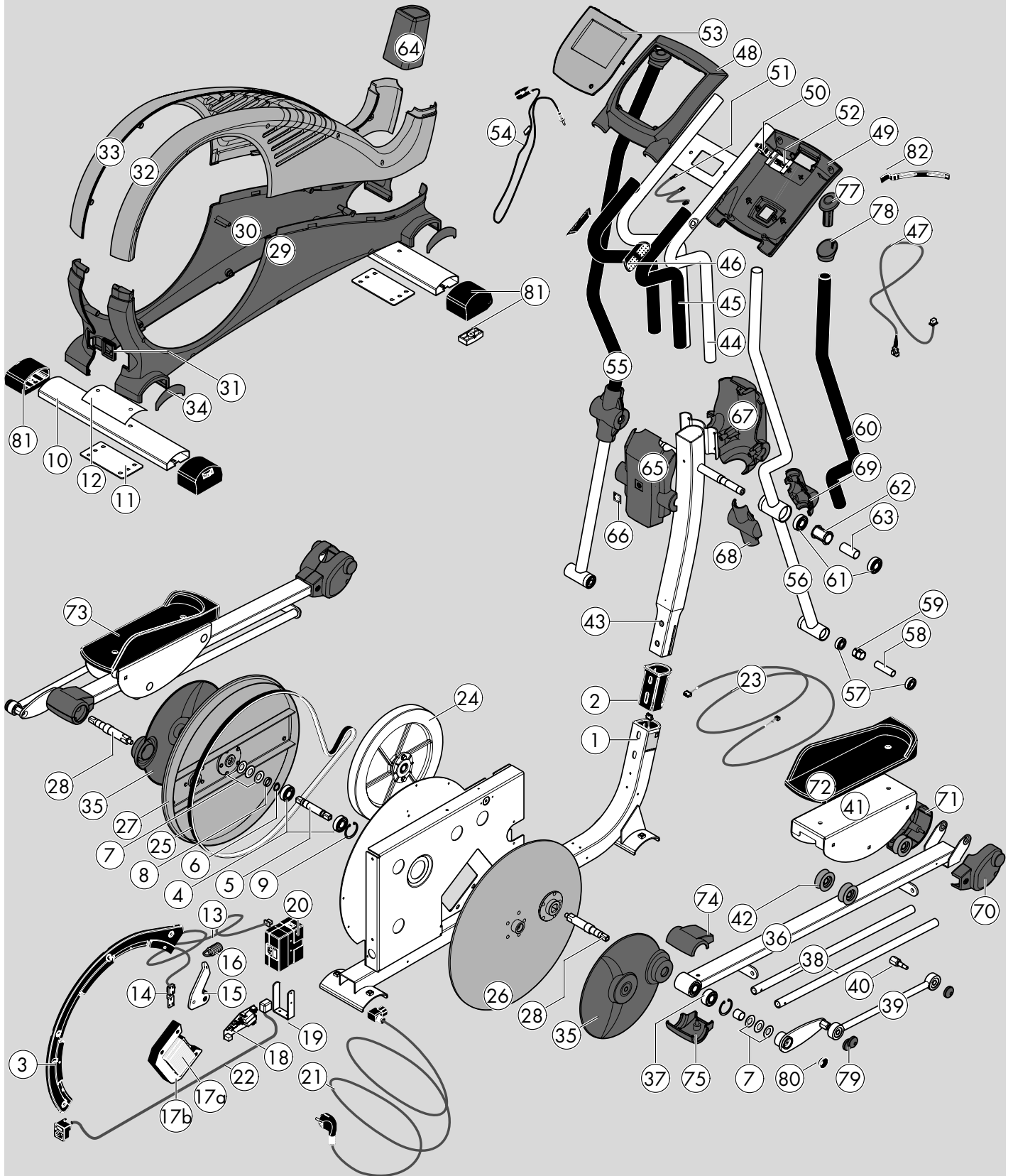
- NL** Bestelling van reserveonderdelen
- PL** Zamówienie części zamiennych



- GB** When ordering spare parts, always state the full article number, spare-partnumber, the quantity required and the S/N of the product.
- F** En cas de commande de pièces de rechange, nous vous prions de mentionner la référence article, le numéro de pièce de rechange, la quantité demandée et le numéro de série de l'appareil.
- NL** Vermeld bij de onderdelenbestellingen a.u.b. het volledige artikelnummer, het onderdeelnummer, het benodigde aantal en het serienummer van het apparaat.
- E** Indicar con los pedidos de piezas de repuesto el número completo del artículo, el número de la pieza de repuesto, las unidades solicitadas y el número de serie del aparato.
- I** Per l'ordinazione di parti di ricambio indicate il completo numero di articolo, della parte di ricambio, il numero di unit necessario nonchè il numero di serie dell'apparecchio.
- PL** Przy zamawianiu części zamiennych proszę podawać kompletny numer artykułu, numer części zamiennej i numer serii urządzenia.

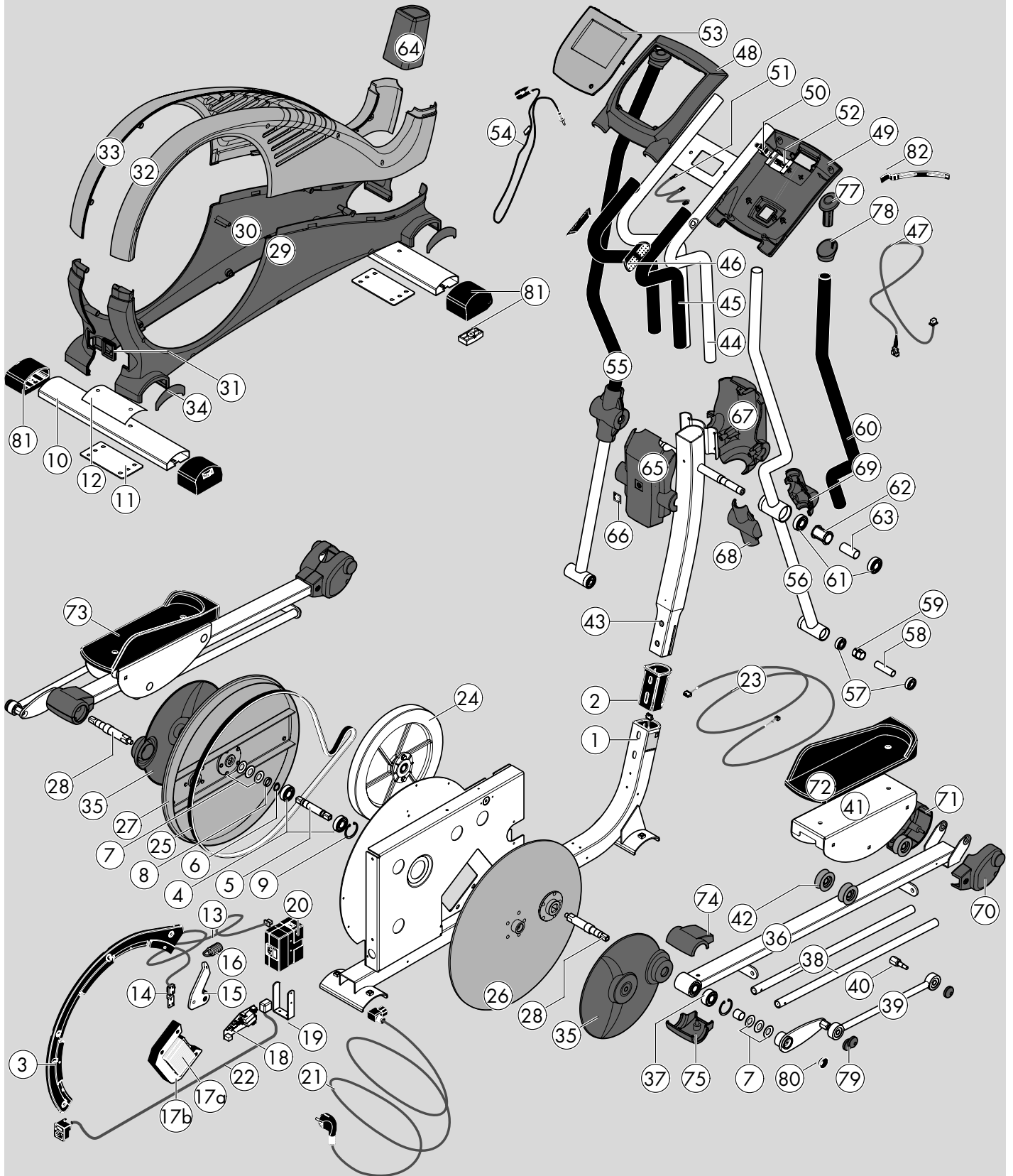
D Geben Sie bei Ersatzteilbestellungen bitte die vollständige Artikelnummer, die Ersatzteilnummer, die benötigte Stückzahl und die Seriennummer des Gerätes an.

Crosstrainer			07863-000	07863-090
Pos.- Nr.	EXT 7 Bezeichnung	USA Description	qty. Stück	Europa Bestell-Nr. USA spare parts no.
1	Grundrahmen	Base Frame	1	94317608 94317608
2	Führungsbuchse (4001)	Mast Sleeve (4001)	1	70128698 70128698
3	Kassettenblechaufsatz (3322)	Adaptor Ring (3322)	1	70128492 70128492
4	Kugellager 6004-ZZ	Bearing 6004-ZZ	2	33100040 33100040
5	Welle ø20x135	Drive Axle ø20x135	1	11300122 11300122
6	Seegerring A 20	C Clip 20mm	2	10709003 10709003
7	Tellerfeder ø40x20,4x1 mm	Spring Washer ø40x20.4x1 mm	3	10600002 10600002
8	Distanzring ø25x2x10 mm	Spacer ø25x2x10 mm	1	97201496 97201496
9	Sicherungsring I 42	C Clip 42mm	1	10709029 10709029
10	Bodenrohr	Frame Crossbar	2	91111951 91111951
11	Halteblech BD 1456	Metal Plate	2	97200256 97200256
12	Folienpapier für Crosstrainer	Paper Gasket	2	34010120 34010120
13	Geschwindigkeitsaufnehmer 375 mm	Magnetic Pick Up Wire	1	67000690 67000690
14	Kontakthalteblech Bd795	Bracket for Magnetic Pick Up Wire	1	97200127 97200127
15	Aufnahmeblech kpl. mont. m. Kugellager 6300-ZZ für Crosstrainer	Idler Pulley with Bearings 6300-ZZ	1	94317610 94317610
16	Zugfeder Umlenkrolle	Spring for Belt Tension	1	25635052 25635052
17a	Spule gewickelt	Electromagnet	1	94313937 94313937
17b	Spulenbleche (BD 1305B)		11	1701305B 1701305B
18	Verbindungsplatine	Circuit Board	1	42860116 42860116
19	Halteblech für Trafo	Bracket for Power Supply	1	94317153 94317153
20	MPG-Netzteil 230V intern montiert	Power Supply 110V	1	42860100 42860101
21	Netzleitung Version Europa	Extension Cord (USA)	1	42861110 42861114
22	Netzkabel 900mm (intern)	Cable Wire 900mm	1	42860118 42860118
23	Stromkabel unten 900 mm (10polig)	Lower Computer Wire 900mm	1	67000833 67000833
24	Schwungrad (kpl. mont. m. Lagerwelle + Kugellager 6005-ZZ + 6203-ZZ)	Flywheel	1	91140443 91140443
25	Poly-V-Riemen 1651 PJ6	Drive Belt	1	67005127 67005127
26	Laufрад	Drive Disc (right)	1	94317611 94317611
27	Riemenscheibe	Drive Disc (left)	1	94317613 94317613
28	Pedalachse 22x155,75 (3-5407)	Discshaft 22x155,75 (3-5407)	2	11300116 11300116
29	Seitenverkleidung re (4351)	Lower Main Shroud (right) (4351)	1	70128906 70128906
30	Seitenverkleidung li (4352)	Lower Main Shroud (left) (4352)	1	70128907 70128907
31	Aufnahme Netzteil (4197)	Plug Cover (4205)	1	70128804 70128805



Ersatzteilbestellung

Crosstrainer			07863-000	07863-090
Pos.- EXT 7		USA	Europa	USA
Nr.	Bezeichnung	Description	Bestell-Nr.	spare parts no.
			Stück	
32	Seitenverkleidung re (3999) oben	Upper Main Shroud (right) (3999)	1	70129006 70129006
33	Seitenverkleidung li (4000) oben	Lower Main Shroud (left) (4000)	1	70129007 70129007
34	Abdeckung (4621) Fußrohr	PVC Caps for Guide Rods (4621)	4	70128357 70128357
35	Rondenabdeckung (4780)	Hubcap for Drive Disc (4780)	2	94317615 94317615
36	Pedalarm	Ski	1	94317261 94317261
37	Pendelkugellager 2203 RS2	Bearing 2203 RS2	2	33100047 33100047
38	Führungsrohr ø20x557 mm	Guide Rods	2	97100565 97100565
39	Schubstange vormontiert		2	94318049 94318049
40	Bolzen SW17x59 (14-08418)	Bolt, SW17x59 (14-08418)	4	10900103 10900103
41	Laufwagen	Foot Frame	2	94317265 94317265
42	Laufrolle (4313) montiert	Foot Frame Rollers (4313)	12	94317389 94317389
43	Vorderrohr	Mast	1	94317270 94317270
44	Stützbügel	Center Handlebar	1	94317274 94317274
45	Soft-Grip 650 mm SW	Grip for Center Handlebar SW	2	10118131 10118131
46	Handpulsaufnehmer WP 1007-5C	Hand Pulse Pickup Sensors	1	67000658 67000658
47	Stromkabel oben 2100 mm (10polig)	Top Lead Wire 2100 mm	1	67000834 67000834
48	Cockpit Oberteil (4277)	Front Computer Housing (4277)	1	70128830 70128830
49	Cockpit Unterteil (4544)	Rear Computer Housing (4544)	1	70129010 70129009
50	Schraubterminal (Flachstecker)	Screw Terminal	1	67000699 67000699
51	Erdungskabel	Ground Wire	1	67000805 67000805
52	Schnittstelle USB, 300 mm	USB Interface	1	67000818 67000818
53	Computer SG1	Computer SG1	1	94317048 94317048
54	Ohrclip	Earclip	1	67000421 67000421
55	Armhebel li. (kpl. mit Pos. 57, 58, 59, 60-SW, 61, 62, 63)	Ski Pole (left)	1	94317130 94317130
56	Armhebel re. (kpl. mit Pos. 57, 58, 59, 60-SW, 61, 62, 63)	Ski Pole (right)	1	94317132 94317132
57	Kugellager 6200-ZZ für Crosstrainer	Bearing 6200-ZZ	4	33100036 33100036
58	Distanzrohr ø16x2x59 mm	Spacer Sleeve ø16x2x59 mm	2	97201482 97201482
59	Zentrierhülse (4511)	Bushing White PVC (4511)	2	70128296 70128296
60	Soft-Grip 880 mm SW	Grip for Ski Pole SW	2	10118130 10118130
61	Kugellager 6203-ZZ für Crosstrainer	Bearing 6203-ZZ	4	33100038 33100038
62	Zentrierhülse (3781)	Bushing White PVC (3781)	2	70128347 70128347
63	Distanzrohr ø22,2x2x48 mm	Spacer Sleeve 22.2x2x48	2	97201462 97201462
64	Lenkerrohrabdeckung (3089)	Mast Cover (3089)	1	70128569 70128569
65	Lenkerendabdeckung Oberteil (4007)	Upper Front Mast Cover (4007)	1	70128728 70128728
66	Aufkleber K-Zeichen	Sticker	1	33907043 33907043
67	Lenkerendabdeckung Unterteil (4008)	Upper Rear Mast Cover (4008)	1	70128729 70128729
68	Drehpunktverkleidung Teil 1 (3165)	Ski Pole Pivot Front Cover (3165)	2	70128411 70128411
69	Drehpunktverkleidung Teil 2 (3166)	Ski Pole Pivot Rear Cover (3166)	2	70128412 70128412
70	Gelenkverkleidung re. (4532)	Ski Cover Front Right (4532)	2	70129011 70129011
71	Gelenkverkleidung li. (4533)	Ski Cover Front Left (4533)	2	70129012 70129012
72	Fußtritt re. (4609)	Foot Plate Right (4609)	1	70129045 70129045
73	Fußtritt li. (4610)	Foot Plate Left (4610)	1	70129046 70129046
74	Drehpunktverkleidung Oberteil (4535)	Rear Ski Cover Upper (4535)	2	70129013 70129013
75	Drehpunktverkleidung Unterteil (4536)	Rear Ski Cover Lower (4536)	2	70129014 70129014
76	Schraubenbeutel o. Abb.	Hardware Bag	1	94318051 94318051
77	Rohrendkappe Teil 1 (4011)	Ski Pole Top Cap Part 1	2	70121517 70121517
78	Rohrendkappe Teil 2 (4013)	Ski Pole Top Cap Part 2	2	70121518 70121518
79	Abdeckkappe (4553)	Endcap (4553)	4	70129015 70129015
80	Pedalarmabdeckung	Crank Arm Cover	2	33003005 33003005
81	Bodenschoner-Set	Foot-Set	1	94317278 94317278
82	POLAR Brustgurt T34 ohne Plug	Polar Chestbelt T34	1	67002000 67002000
83	Schraubenbeutel 1-2	Hardware Bag	1	94318050 94318050
84	Schraubenbeutel 2-2	Hardware Bag	1	94317852 94317852





HEINZ KETTLER GmbH & Co. KG · Postfach 1020 · D-59463 Ense-Parsit
www.kettler.de

docu 1708g/02.08

Free Manuals Download Website

<http://myh66.com>

<http://usermanuals.us>

<http://www.somanuals.com>

<http://www.4manuals.cc>

<http://www.manual-lib.com>

<http://www.404manual.com>

<http://www.luxmanual.com>

<http://aubethermostatmanual.com>

Golf course search by state

<http://golfingnear.com>

Email search by domain

<http://emailbydomain.com>

Auto manuals search

<http://auto.somanuals.com>

TV manuals search

<http://tv.somanuals.com>