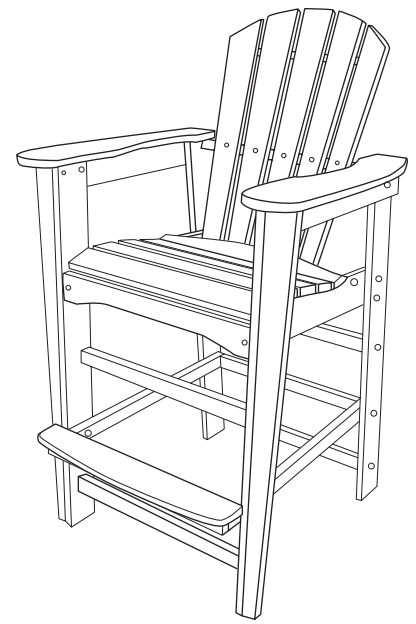
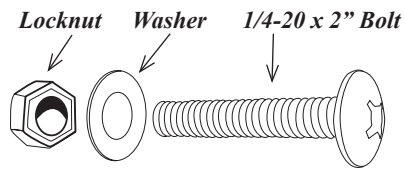


2533 ADIRONDACK BAR STOOL



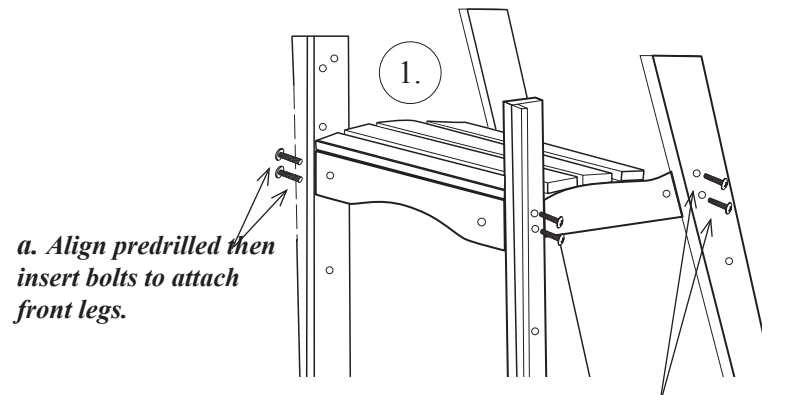
Contents:

- | | |
|----------------------|-----------------------------|
| (1) Seat, (1) Back | (1) Short Cross Brace |
| (2) Arm Rests | (4) Cross Braces |
| (2) Front Chair legs | (22) 1/4 - 20 x 2" Bolts |
| (2) Back Chair legs | (6) 1/4 - 20 x 2 1/2" Bolts |
| (1) Footrest | (12) Washers |
| (2) Side Braces | (12) Locknuts |



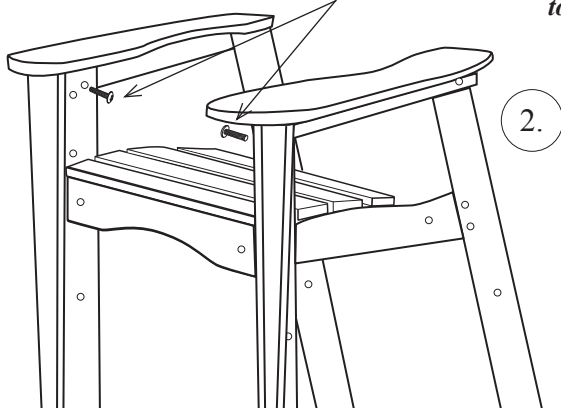
Tools Required:

- 7/16" Wrench
- #3 Phillips Head Screwdriver

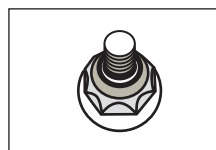


a. Align predrilled then insert bolts to attach front legs.

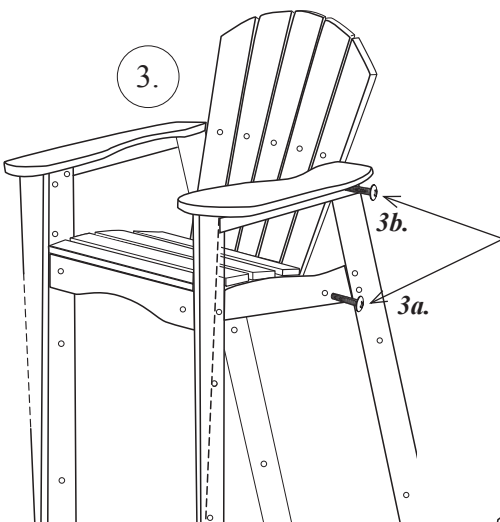
Place arm rest on top of chair legs, align front predrilled holes, insert bolt.



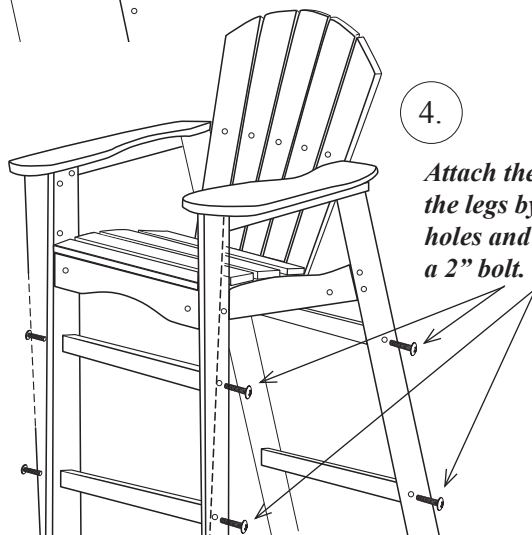
b. Align predrilled holes then insert bolts to attach back legs.



Properly Seated Washer and Nut.



Attach the back of the chair by aligning holes on the arm and the seat to insert bolt.



4. Attach the braces to the legs by aligning holes and inserting a 2" bolt.

Assembly Instructions

1. **a.** With the wing on the post facing front, align the predrilled holes on front leg to the seat and insert the 1/4 - 20 x 2" Bolts through the leg in thru the seat. Clean any plastic residue from the bolt then slide a washer on. Screw on the locknut and then tighten it with the wrench and phillips screwdriver. Repeat on the other front leg.

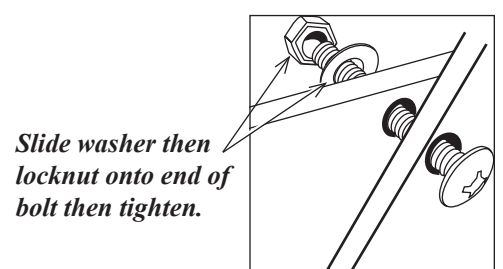
b. Align the predrilled holes on the back leg to the seat and insert the 1/4 - 20 x 2" Bolts through the leg in thru the seat. Clean any plastic residue from the bolt then slide a washer on. Screw on the locknut and then tighten it with the wrench and phillips screwdriver. Repeat on the other back leg.

2. Place arm rest on top of chair legs align the front predrilled holes and insert the 1/4 - 20 x 2" Bolts through the leg and in thru the arm. Clean off any plastic residue then slide a washer on the end of bolt. Screw on the locknut and then tighten it with the wrench and phillips screwdriver.

3. **a.** Attach the back of the chair to the seat by aligning holes and inserting a 1/4 - 20 x 2" Bolt then tighten with a phillips screwdriver.

b. Attach the back of the chair to the arm by aligning holes and inserting a 1/4 - 20 x 2 1/2" Bolt thru the arm, leg and into the chair back, then tighten with a phillips screwdriver. Repeat on both sides.

4. Attach the cross braces of the chair to the legs by aligning holes and inserting a 1/4 - 20 x 2" Bolt through the leg into the cross brace and tighten with a phillips screwdriver. Repeat on other leg. Do Front and Back cross braces.



Slide washer then locknut onto end of bolt then tighten.

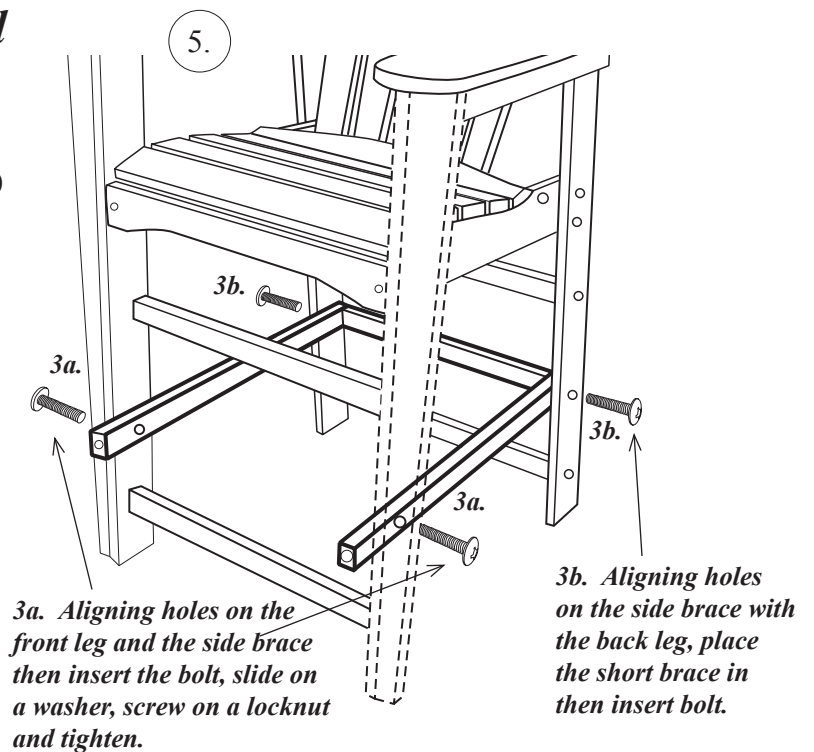
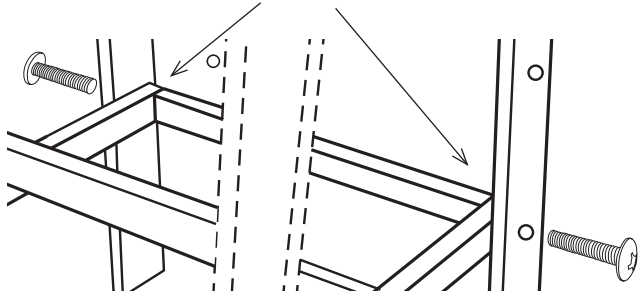
Assembly Instructions continued

5.

a. Bolt the left and right side braces onto the front legs by aligning the predrilled holes and inserting a 1/4 - 20 x 2 1/2" Bolt. Clean any plastic residue from the bolt then slide a washer on. Screw on the locknut and then tighten it with the wrench and phillips screwdriver.

b. Then align the side braces to the holes on the back legs, place the short brace across between them aligning with the predrilled holes. Insert the 1/4 - 20 x 2 1/2" thru the leg, in thru the side brace and into the short brace. Tighten with the phillips screwdriver. Repeat on the other front leg.

Short brace goes in between the side braces on the back of the stool.



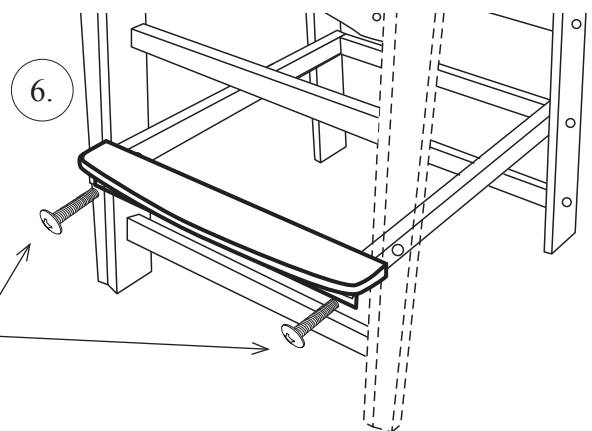
3a. Aligning holes on the front leg and the side brace then insert the bolt, slide on a washer, screw on a locknut and tighten.

3b. Aligning holes on the side brace with the back leg, place the short brace in then insert bolt.

6.

Place the footrest on the side braces align the front predrilled holes and insert the 1/4 - 20 x 2" Bolts through the footrest and into the end hole of the brace then tighten it with the phillips screwdriver.

Place the footrest on the side braces align the front predrilled holes and insert the bolts.



Care & Maintenance

Ocean Comfort products are constructed from HDPE (High Density Polyethelene), primarily a recycled material. UV inhibitors are also added to resist fading. Simply maintain your furniture by cleaning with soap and warm water to ensure its long lasting beauty. A soft bristle brush can be used on any tough to clean stains. Stainless steel hardware is used in the assembly of these products and should be rinsed regularly with fresh water if being used in a coastal environment.

KETTLER Limited Warranty

Ocean Comfort products are guaranteed for a period of 20 years (for residential use) and 5 years (for commercial use), starting from original purchase date. This warranty covers defects in materials and/or workmanship and does not apply to the hardware.

Warranty not applicable to any products deemed as misused, abused or damaged due to an uncontrollable act of nature.

*For Parts and Service, please contact us directly at 866-804-0440 or email parts@kettlerusa.com



Made in the U.S.A.

KETTLER® International Inc. • 1355 London Bridge Road • Virginia Beach, VA 23453
www.kettlerusa.com • info@kettlerusa.com

Free Manuals Download Website

<http://myh66.com>

<http://usermanuals.us>

<http://www.somanuals.com>

<http://www.4manuals.cc>

<http://www.manual-lib.com>

<http://www.404manual.com>

<http://www.luxmanual.com>

<http://aubethermostatmanual.com>

Golf course search by state

<http://golfingnear.com>

Email search by domain

<http://emailbydomain.com>

Auto manuals search

<http://auto.somanuals.com>

TV manuals search

<http://tv.somanuals.com>