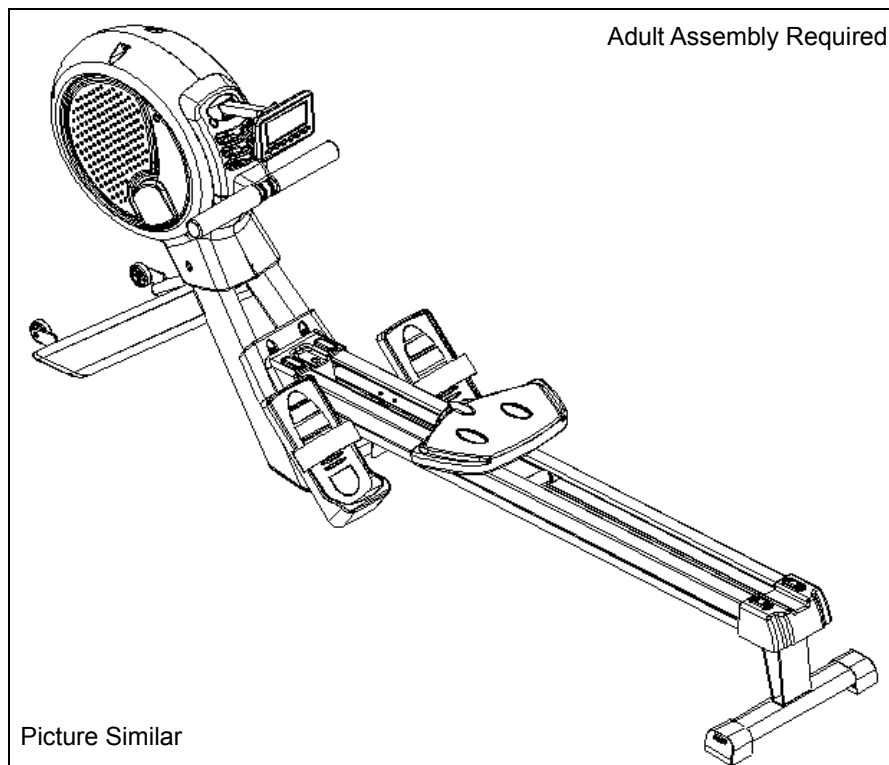




Assembly and User Manual

R-400 ROWER

Model #7976-400 / #7976-300



KETTLER® International Inc
1355 London Bridge Rd.
Virginia Beach, VA 23453 USA
Parts/Service: 866.804.0440
Email: parts@kettlerusa.com
Web Address: www.kettlerusa.com

ASSEMBLY INSTRUCTIONS

Read these instructions carefully before assembling the product or using it for the first time. They contain important information for your safety and for the correct use and maintenance of this product. Keep the instructions in a safe place for information or for ordering spare parts.

For your safety

- The unit should be used only for its intended purpose, i.e. for physical exercise by adult persons. Any other use of the equipment is prohibited and may be dangerous. The manufacturer cannot be held liable for damage or injury caused by improper use of the equipment.
- This unit has been designed in accordance with the latest standards of safety. Any features which may have been a possible cause of injury have been avoided or made as safe as possible.
- Incorrect repairs and structural modifications (e.g. removal or replacement of original parts) may endanger the safety of the user.
- Damaged components may endanger your safety or reduce the lifetime of the equipment. For this reason, worn or damaged parts should be replaced immediately and the equipment taken out of use until this has been done. Use only original KETTLER spare parts.
- In case of inquiry, please contact KETTLER.
- If the equipment is in regular use, check all its components thoroughly every 1 – 2 months. Pay particular attention to the tightness of bolts and nuts.
- Before beginning your program of exercise, consult your doctor to ensure that you are fit enough to use the equipment. Base your program of exercise on the advice given by your doctor. Incorrect or excessive exercise may damage your health!
- Any interference with parts of the product that are not described within the manual may cause damage, or endanger the person using this machine.
- Before use, always check all screws and plug-in connections as well as respective safety devices fit correctly.
- Caution: While assembly of the product keep off children's reach (Choking hazard - contains small parts).
- Before beginning your first training session, familiarize yourself thoroughly with all the functions and settings of the unit.
- Our products are subject to a constant innovative quality assurance. We reserve the right to perform technical modifications.
- Attention! The unit should be positioned in such a way that there is a space of 100 cm (49 in) on both sides and 150 cm (59 in) behind it.
- The unit requires a power supply. Before commissioning the appliance pay attention to the fact that the correct plug-in power supply unit (observe marking) has been connected properly.
- Important: disconnect the apparatus from the mains before doing repair, maintenance or cleaning work.
- When the unit is not in use, unplug it from the power supply.
- Ensure that the power cable is not pinched and that no one can trip over it.
- All electric appliances emit electromagnetic radiation when in operation. Please do not leave radiation-intensive appliances (e.g. mobile telephones) directly next to the cockpit or the electronic control system as otherwise values displayed might be distorted (e.g. pulse measurement).
- Always observe the general safety rules and precautions for working with electrical equipment.

Handling the equipment

- Before using the equipment for exercise, check carefully to ensure that it has been correctly assembled.
- It is not recommended to use or store the apparatus in a damp room as this may cause it to rust. Please ensure that no part of the machine comes in contact with liquids (drinks, perspiration etc.). This may cause corrosion.
- The machine is designed for use by adults and children should not be allowed to play with it. Children at play behave unpredictably and dangerous situations may occur for which the manufacturer cannot be held liable. If, in spite of this, children are allowed to use the equipment, ensure that they are instructed in its proper use and supervised accordingly.
- Please ensure that liquids or perspiration never enter the machine or the electronics.

ASSEMBLY INSTRUCTIONS

Instructions for Assembly

- Ensure that you have received all the parts required (see checklist) and that they are undamaged. Should you have any cause for complaint, please contact KETTLER.
- Before assembling the equipment, study the drawings carefully and carry out the operations in the order shown by the diagrams.
- Please note that there is always a danger of injury when working with tools or doing manual work. Therefore please be careful when assembling this machine.
- Ensure that your working area is free of possible sources of danger, for example don't leave any tools lying around. Always dispose packaging material in such a way that it may not cause any danger. There is always a risk of suffocation if children play with plastic bags!
- The equipment must be assembled with due care by an adult person.
- The fastening material required for each assembly step is shown in the diagram. Use the fastening material exactly as instructed.
- Bolt all the parts together loosely at first, and check that they have been assembled correctly. Then check that all screw connections have been tightened firmly.
- Please keep original packaging of this article, so that it may be used for transport at a later date, if necessary.

Ordering Spare Parts

When ordering spare parts, always state the full model number, position, and the quantity required.

Example order: Model # 7979-400 / position A / 1 piece

Important: spare part prices do not include fastening material; if fastening material (bolts, nuts, washers etc.) is required, this should be clearly stated on the order by adding the words „**with fastening material**“.

Goods may **only** be returned after prior arrangement and in (internal) packaging, which is safe for transportation, in the original box if possible.

It is important to provide a detailed defect description / damage report!

Waste Disposal

VERSO by KETTLER products are recyclable. At the end of its useful life please dispose of this article correctly and safely (local refuse sites).

LIMITED WARRANTY

THERE ARE NO WARRANTIES, EXPRESSED OR IMPLIED, MADE BY EITHER THE DISTRIBUTOR OR THE MANUFACTURER ON KETTLER® PRODUCTS, EXCEPT THE MANUFACTURER'S LIMITED WARRANTY AGAINST DEFECTS IN MATERIAL SET OUT BELOW:

This KETTLER® Limited Warranty applies to products sold through the KETTLER® Authorized Dealer Network to the original retail purchaser and authenticated by proof of purchase from a retailer located in the United States. Any shipments made under this warranty will be shipped to the United States only. Any shipment outside of the United States will be at the sole cost of the customer. This KETTLER® Limited Warranty is a manufacturer's warranty and is not changed or modified by additional warranties extended by individual retailers at the point of sale. Manufacturer warrants this product to be free from defects in material at the time of the product's tender of delivery for a period of 2 for residential use. This Limited Warranty is not transferable and does not cover normal wear and tear (including, but not limited to, damage and wear to tires, power shocks, drive belts and other non-durable parts). The liability of the manufacturer under this Limited Warranty shall not include any liability for direct, indirect, or consequential damages resulting from the defect. This Limited Warranty is void if the product is damaged by accident, unreasonable use, improper service, failure to follow instructions provided, modification from its original state, or other causes determined not arising out of defects in material.

This warranty gives you specific legal rights. Should this product become defective due to material within the warranty period, contact KETTLER® Parts & Service Dept. by phone at 866.804.0440, fax at 757.563.9273, or e-mail at parts@kettlerusa.com.

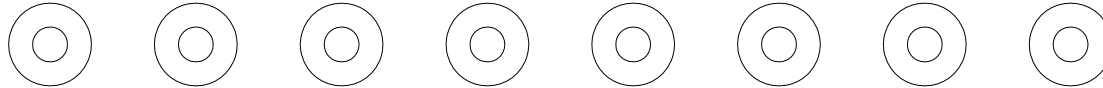
THIS LIMITED WARRANTY IS EXPRESSLY IN LIEU OF ANY OTHER WARRANTIES, EXPRESSED OR IMPLIED, INCLUDING ANY IMPLIED WARRANTY OF MERCHANTABILITY OR FITNESS FOR A PARTICULAR PURPOSE, AND OF ANY OTHER OBLIGATIONS OR LIABILITY ON THE PART OF THE MANUFACTURER. KETTLER® NEITHER ASSUMES NOR AUTHORIZES ANY OTHER PERSON TO ASSUME FOR IT ANY OTHER LIABILITY IN CONNECTION WITH SUCH PRODUCTS.

CHECKLIST

R400



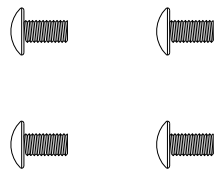
I-1 Allen Bolt M8x16mm 8



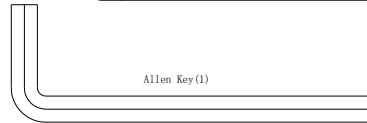
I-2 Curved washer for 7/8" 19*2T bolt(8)



I-3 Screw M5*12 (8)



I-4 Screw M5*10 (4)



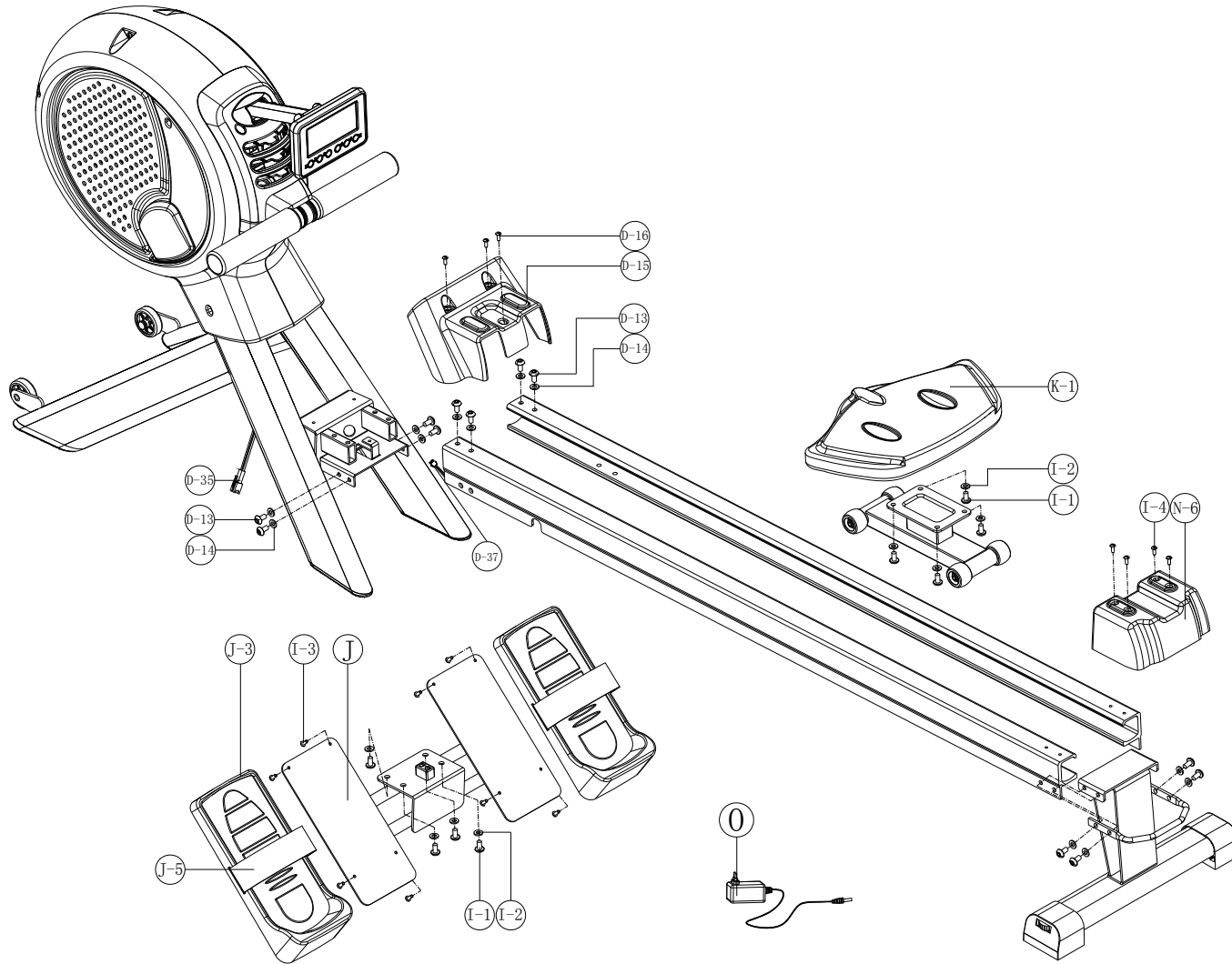
Allen Key (1)

Screwdriver (1)
(Pedal Wrench)



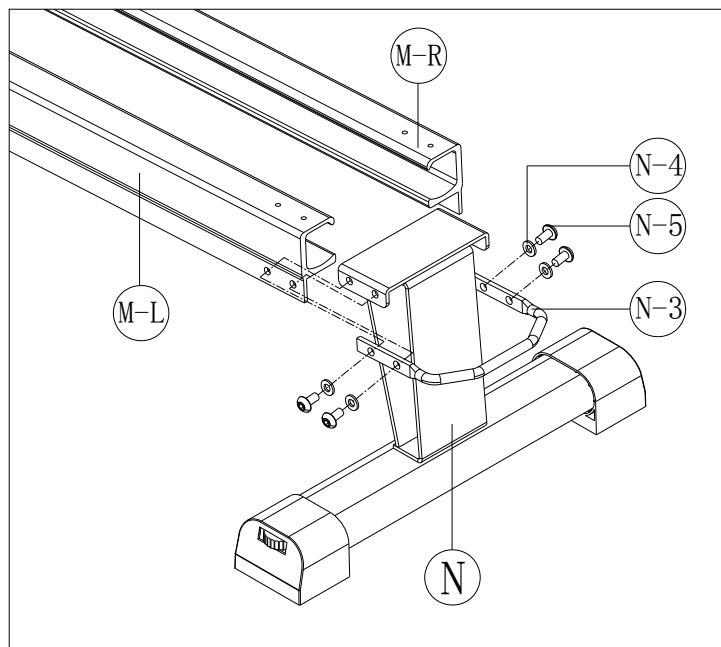
(MM)

Assembly Instruction



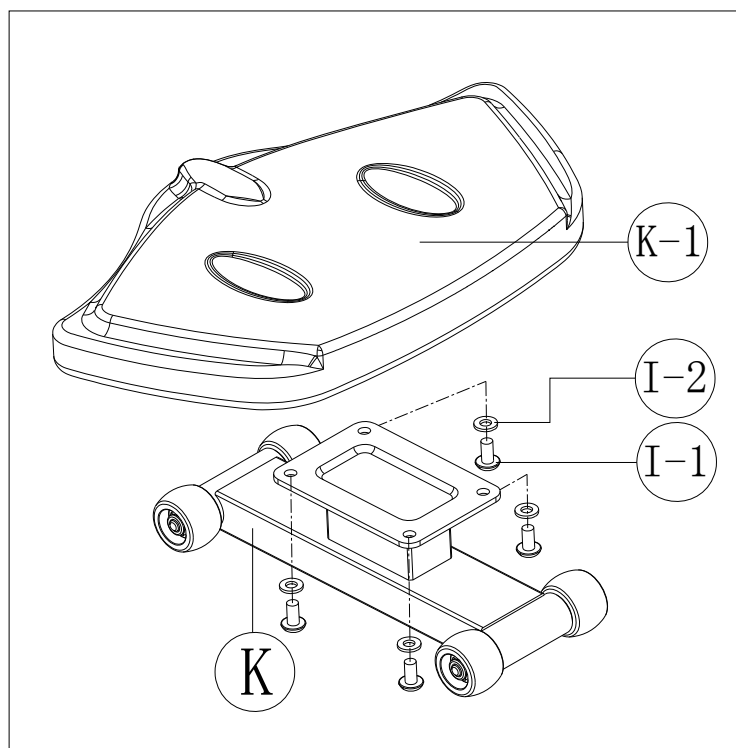
Step 1

1. Insert the Rear Support (N), and then attach the Rear Support with Seat Rail (M-L, M-R) by Bolt (N-5) and Flat Washers (N-4) and Carry Bar (N-3).



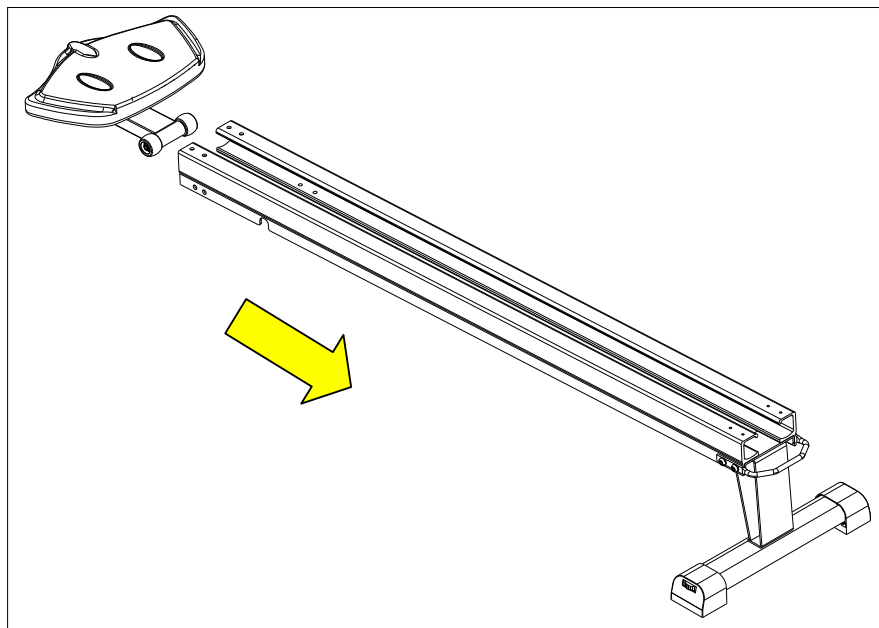
Step 2

1. Insert the Seat (K-1) and attach the Rolling Slider (K) by Bolt (I-1) and Flat Washers (I-2).



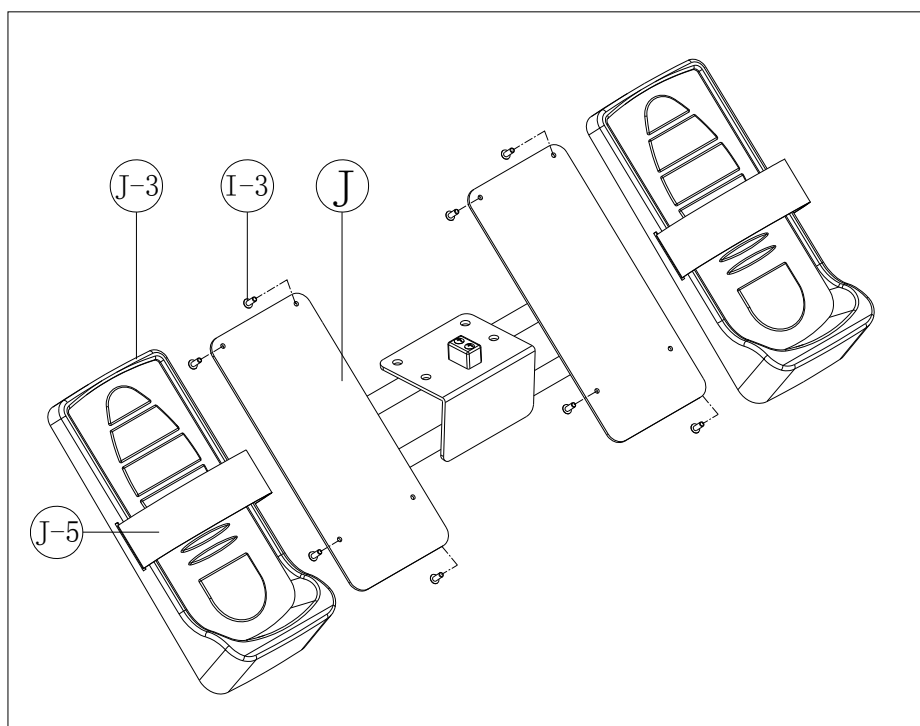
Step 3

1. Insert the Seat (K-1) onto the Seat Rail (M-L , M-R).



Step 4

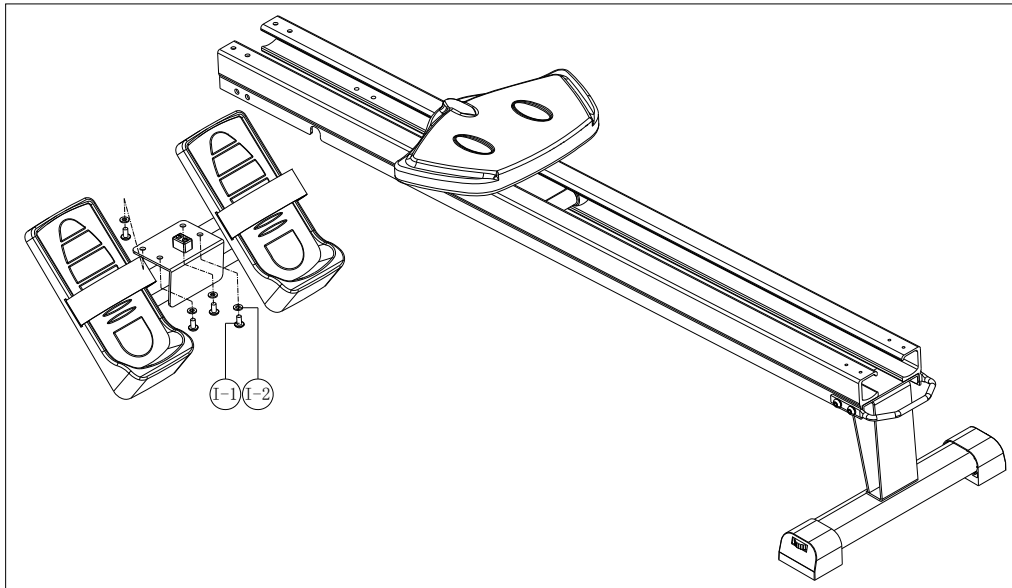
1. Fix the Pedal with Strap (J-3 & J-5) to the Pedal Support (J) by Screws (I-3).



Step 5

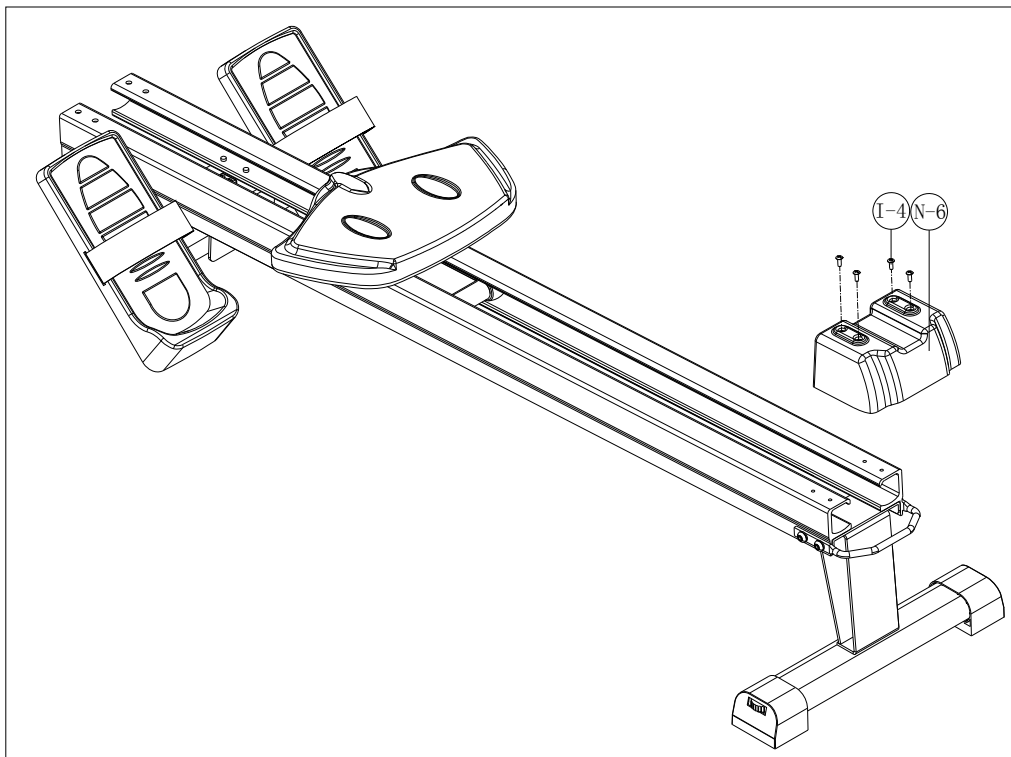
1. Insert the Pedal Holder (J) into the Seat Rail (M-L, M-R) by Bolt (I-1) and Flat Washers (I-2).

Please note: The 4 bolts need to be loosely assembled to the Pedal Holder, ensure that the Pedal Holder is straight and then tighten down the bolts. If this is not assembled properly, the seat will not slide smoothly.



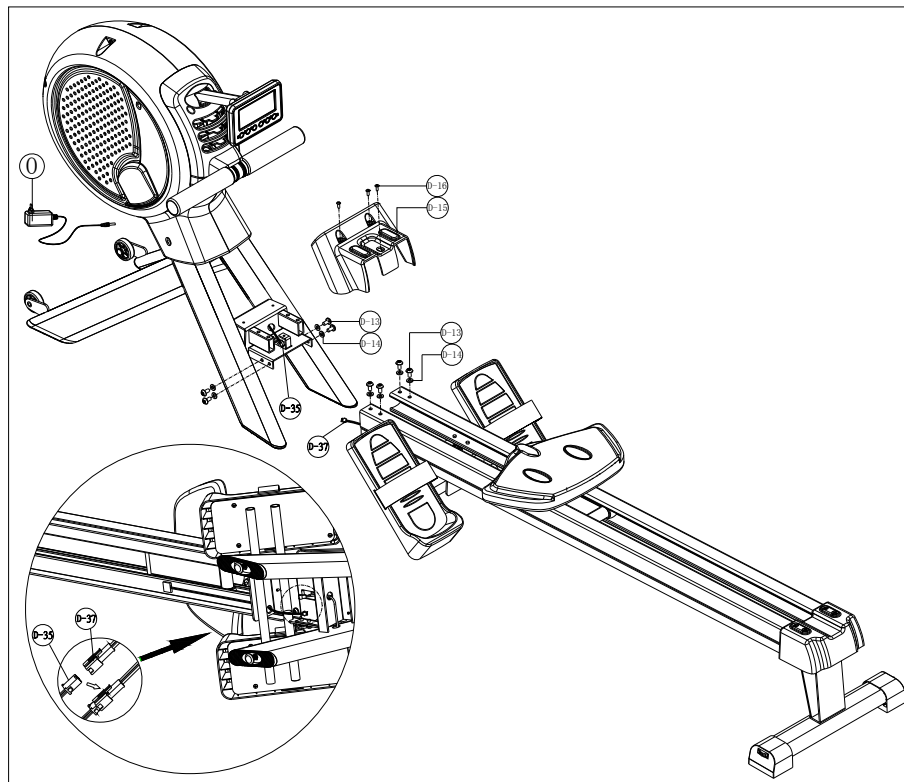
Step 6

1. Attach the Cover (N-6) over the Rear Support by Screws (I-4).

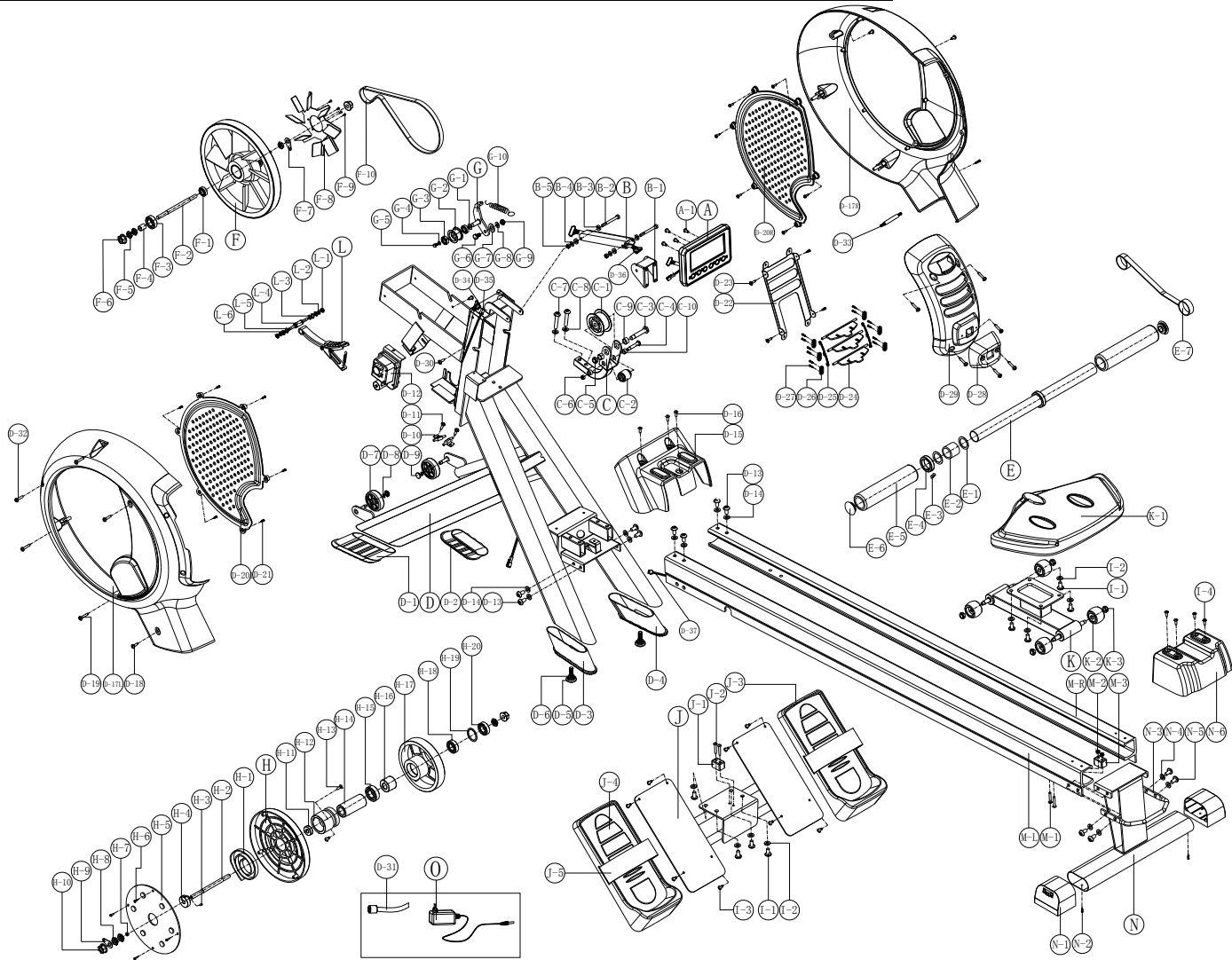


Step 7

1. Insert the Seat Rail (M-L, M-R), and attach the Main Frame (D) by Bolt (D-13) and Flat Washers (D-14).
2. Attach the Cover (D-15) over the Main frame (D) by Washers (D-16).
3. Connect the Cable (D-35, D-37).
4. Connect the Power Supply (O) onto the main frame to power on.



Explosion Drawing



Parts List ROWER MACHINE

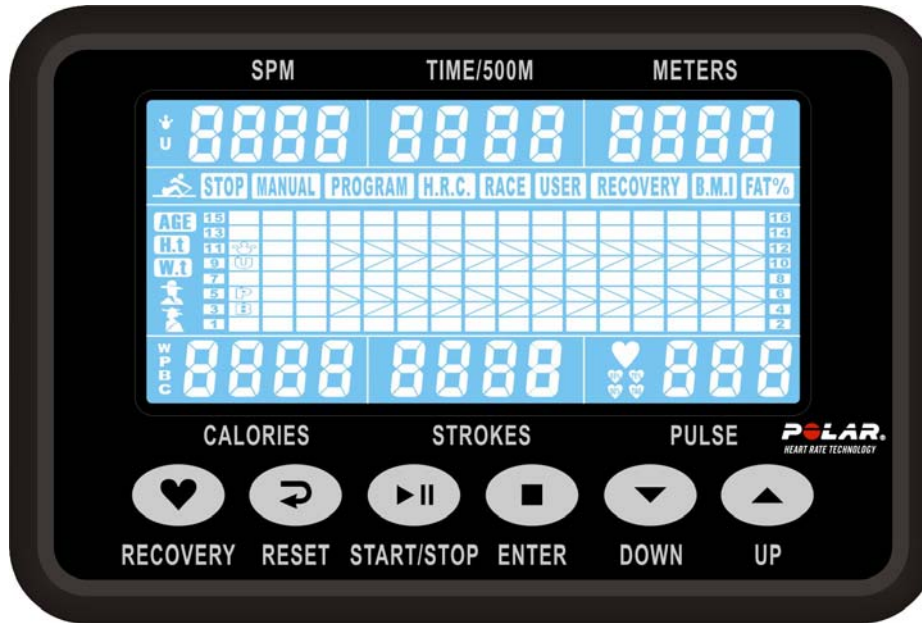
No.	Description	Quantity	
A	COMPUTER	1	SET
A-1	SCREW FOR FIXING COMPUTER	4	PCS
B	SUPPORTING TUBE FOR BRACKET	1	PCS
B-1	BRACKET FOR FIXING COMPUTER	1	PCS
B-2	SCREW	2	PCS
B-3	FIXING CAP	4	PCS
B-4	FLAT WASHER $\phi 6 \times \phi 16 \times 1t$	2	PCS
B-5	NYLON NUT M6	2	PCS
B-6	HEXAGONAL NUT M6xP1.0x57L	1	PCS
C	BRACKET FOR ROLLER	1	SET
C-1	DRIVING PULLEY	1	SET
C-2	ROLLER	1	SET
C-3	SCREW	1	PCS
C-4	SCREW M6x50L	1	PCS
C-5	NYLON NUT 3/8"x7t	1	PCS
C-6	NYLON NUT M6	1	PCS
C-7	SCREW M8xP1.25x35L(6m/m)	2	PCS
C-8	FLAT WASHER $\phi 8 \times \phi 19 \times 2T$	2	PCS
C-9	BUSHING $\phi 10 \times \phi 14 \times 6mmL$	2	PCS
C-10	BUSHING $\phi 6 \times \phi 8.5 \times 3mmL$	4	PCS
C-11	FLAT WASHER $\phi 6 \times \phi 16 \times 1t$	1	PCS
C-12	FLAT WASHER $\phi 10 \times \phi 18 \times 1t$	1	PCS
D	MAIN FRAME	1	SET
D-1	CAP FOR FRONT STABILIZER(LEFT)	1	PCS
D-2	CAP FOR FRONT STABILIZER(RIGHT)	1	PCS
D-3	SUPPORTING CAP(LEFT)	1	PCS
D-4	SUPPORTING CAP(RIGHT)	1	PCS
D-5	ADJUSTING CAP	2	PCS
D-6	HEXAGONAL SCREW 3/8"-16x3t	2	PCS
D-7	TRANSPORTATION WHEEL	2	PCS
D-8	C-TYPE RING $\phi 8$	2	PCS
D-9	SPEEDY NUT M8	2	PCS
D-10	SENSOR BOX	2	SET
D-11	SCREW M4x10L	2	PCS
D-12	GEAR BOX	1	PCS
D-13	SCREW M8*P1.25*16L(6m/m)	8	PCS
D-14	FLAT WASHER $\phi 8 \times \phi 19 \times 2T$	8	PCS
D-15	FRONT CAP FOR SLIDER	1	PCS
D-16	SCREW M5x10L	8	PCS
D-17L	LEFT COVER(LOWER)	1	PCS
D-17R	RIGHT COVER(LOWER)	1	PCS
D-18	SCREW 3/16" (#10) x3/4"	2	PCS
D-19	SCREW M4x50L	3	PCS
D-20L	SIDE COVER(LEFT)	1	PCS

D-20R	SIDE COVER(RIGHT)	1	PCS
D-21	SCREW M4x8L	12	PCS
D-22	CONNECTION PIN OF COVER	1	PCS
D-23	SCREW M4x12L	10	PCS
D-24	DIVERSION OF FAN	3	PCS
D-25	POLE	2	PCS
D-26	FIXING SOCKET OF FAN	6	PCS
D-27	SCREW M3x8	12	PCS
D-28	COVER OF FAN(FRONT)	1	PCS
D-29	FAN COVER	1	PCS
D-30	SCREW M5x8L	1	PCS
D-31	DC WIRE	1	SET
D-32	SCREW M5x8L	1	PCS
D-33	CONNECTION BAR	1	PCS
D-34	CABLE UPPER	1	PCS
D-35	CONNECTION CABLE	1	PCS
D-36	CABLE LOWER	1	PCS
D-37	CONNECTION CABLE WITH RECEIVER	1	PCS
E	HANDLEBAR	1	SET
E-1	PLASTIC WASHER $\phi 45 \times \phi 32.2 \times 0.5t$	2	PCS
E-2	BUSHING $\phi 32.2 \times \phi 44.3 \times 29L$	1	PCS
E-3	HEXAGON SCREW M6xP1.0x5L	2	PCS
E-4	BUSHING OF FOAM $\phi 32.2 \times \phi 44.3 \times 10L$	1	PCS
E-5	HANDLEBAR FOAM	2	PCS
E-6	CAP	2	PCS
E-7	INKLE	1	PCS
F~F-9	FLYWHEEL SET	1	SET
F	FLYWHEEL	1	PCS
F-1	BEARING	1	PCS
F-2	FLYWHEEL AXLE	1	PCS
F-3	BEARING	1	PCS
F-4	BUSHING	1	PCS
F-5	NUT	3	PCS
F-6	NUT	2	PCS
F-7	FIXING PIN	1	PCS
F-8	FAN	1	PCS
F-9	SCREW	4	PCS
F-10	DRIVING BELT	1	PCS
G~G-10	IDLER WHEEL SET	1	SET
G	IDLER WHEEL	1	SET
G-1	CURVED WASHER $\phi 10.5 \times \phi 15 \times 0.3t$	1	PCS
G-2	IDLER WHEEL WITH BEARING	1	PCS
G-3	BEARING #6000RS	2	PCS
G-4	FLAT WASHER $\phi 6 \times \phi 16 \times 1t$	1	PCS
G-5	SCREW M6xP1.0x12L	1	PCS
G-6	SCREW M8xP1.25x20L	1	PCS

G-7	FLAT WASHER φ 8.5x φ 25x1t	1	PCS
G-8	FLAT WASHER φ 8x φ 16x1t	1	PCS
G-9	NYLON NUT M8	1	PCS
G-10	SPRING FOR IDLER WHEEL	1	PCS
H~H-20	SPRING BOX	1	SET
H	SPRING BOX	1	PCS
H-1	SPRING	1	PCS
H-2	FLYWHEEL AXLE	1	PCS
H-3	SCREW M4x5L	1	PCS
H-4	FIXING PIN	1	PCS
H-5	COVER OF SPRING BOX	1	PCS
H-6	SCREW M4*12L	4	PCS
H-7	BUSHING φ 10x φ 14x3mmL	1	PCS
H-8	NUT 3/8"-26x4.5t	3	PCS
H-9	FIXING PIN	1	PCS
H-10	NUT	2	PCS
H-11	BEARING # 6000RS	1	PCS
H-12	IRON RING(1)	1	PCS
H-13	SCREW M5xP0.8x12L	2	PCS
H-14	IRON RING(2)	1	PCS
H-15	BEARNG #6203	1	PCS
H-16	ONE WAY BEARING	1	SET
H-17	PULLEY	1	PCS
H-18	BEARING #6003RS	1	PCS
H-19	FLAT WASHER φ 30x φ 34x1t	1	PCS
H-20	BEARING #6300RS	1	PCS
I-1	SCREW M8*P1.25*16L(6m/m)	8	PCS
I-2	FLAT WASHER φ 8* φ 19*2T	8	PCS
I-3	SCREW M5xP0.8x12L	8	PCS
I-4	SCREW M5*P0.8*10L	4	PCS
J	PEDAL HOLDER	1	SET
J-1	STOPPER	1	PCS
J-2	SCREW M5x25L	2	PCS
J-3	PEDAL	2	PCS
J-4	PAD OF PEDAL	2	PCS
J-5	PEDAL STRAP	2	PCS
K	ROLLING SLIDER	1	SET
K-1	SEAT	1	PCS
K-2	ROLLER	4	SET
K-3	NLYON NUT M8	4	SET
L~L-6	MAGNETIC SET	1	SET
L	MAGNETIC BRACKET	1	PCS
L-1	NYLON NUT M6	2	PCS
L-2	FLAT WASHER φ 6x φ 13x1t	2	PCS
L-3	CURVED WASHER φ 12.5x φ 18x0.3t	1	PCS
L-4	AXLE FORMAGNETIC SOCKET	1	PCS

L-5	C-TYPE RING	2	PCS
L-6	SCREW M6	2	PCS
M-L	LEFT SEAT RAIL	1	PCS
M-R	RIGHT SEAT RAIL	1	PCS
M-1	SCREW M5x30L	2	PCS
M-2	NYLON NUT M5	2	PCS
M-3	STOPPER FOR SILDER	1	PCS
N	REAR STABILIZER	1	SET
N-1	ADJUSTING CAP	2	PCS
N-2	SCREW 3/16" (#10) x3/4"	2	PCS
N-3	CARRY BAR FOR TRANSPORTATION	1	PCS
N-4	FLAT WASHER $\phi 8 \times \phi 16 \times 2t$	4	PCS
N-5	SCREW M8xP1.25x20L(6m/m)	4	PCS
N-6	REAR COVER FOR SLIDER	1	PCS
O	POWER SUPPLY	1	SET

INSTRUCTION MANUAL OF SM5880



【FUNCTION BUTTONS】

- UP / DOWN : To press these two buttons through available selection.
To adjust the function value upward and downward.
- ENTER : To confirm your selection.
During training, press the button to scan each display function.
- START / STOP : To start and stop your selected workout program.
- RESET : To reset the computer back to the main menu.
- RECOVERY : To activate the RECOVERY PROGRAM that will automatically evaluate your fitness immediately after your work out.

【FUNCTIONS】

- TIME : Preset target time by pressing UP and DOWN buttons (1min ~ 99 min), each increase/ decrease setting is 1 minute.
- TIME/500M : Computer will display the time needed to row 500 meters according to current speed.
- DISTANCE : Preset target value by pressing UP and DOWN buttons (10meters ~ 9990meters), each increase / decrease setting is 100 meters.
- CALORIES :
- STROKES : Preset target value by pressing UP and DOWN buttons (0~9999 strokes). each increase / decrease setting is 10.
- TOTAL STROKES : Accumulates total strokes from 0 up to 9999.
- PULSE: To preset target value by pressing up/down/mode from 30 to 240, each increase/decrease setting is 1. The monitor will display user's heart rate during training. The pulse measurement function is only used by chest belt system; the frequency of chest belt accepted by the monitor is 5 KHz.
- RECOVERY : After exercising for a period of time, keep holding on handgrips and press "RECOVERY" button. All function display will stop except "TIME" starts counting down from 00:60 to 00:00. Screen will display your heart rate recovery status with the F1,F2....to F6. F1 is the best, F6 is the worst. User may keep exercising to improve the heart rate recovery status. (Press the RECOVERY button again to return the main display.)
- CALENDAR : The monitor will display year, month, and day when monitor is in sleep mode.
- TEMPERATURE : The monitor will display current room temperature from 0° to 60° C when the monitor is in sleep mode.
- CLOCK : The monitor will display current clock when the monitor is in sleep mode.

【OPERATION】

1. Power on

Plug in the power supply, the monitor starts to segment test with a long beep sound, then monitor will enter into calendar/clock setting mode.

2. Set current data

Press UP/DOWN/ENTER buttons to set up current clock time, year, month and day. After you confirm it, the ALARM will blink, press UP or DOWN to set the ON/OFF which is the sign of ALARM. If the sign doesn't display on LCD, you can press ENTER key to jump to the standby mode. If the sign of ALARM display on LCD, you can press ENTER key to set the time of ALARM (to set the clock in same way). Enter into the initial (standby) mode after confirmed.

Note : All preset data will be updated automatically after first setting till power off (power supply plug-out).

3. Entered the initial (standby) mode, the STOP/MANUAL/PROGRAM/H.R.C./RACE/USER will blink to be selected, press UP/DOWN for function selection and ENTER for confirmation.

3-1. MANUAL

- A. Enter into this function, "L1" will blink on the monitor for resistance setting, you can preset the target resistance from L1 to L16 by pressing UP/DOWN/ENTER button. After confirmed, you can preset target value for TIME, DISTANCE, STROKES, CALORIES, PULSE in the same way.

Note : As Time is set, the DISTANCE can't be set, if you set the target time you wish to exercise, each segment would contain the time length of target value divided by 16.

As DISTANCE has been set, the TIME can't be set, if you set the target distance you wish to exercise, each segment would contain the distance length of target value divided by 16.

If you didn't set the value of TIME or DISTANCE, each segment would contain the distance length of 100M.

- B. Press START button to start exercise, the STOP sign will disappear. All values start counting up or down. Press UP or DOWN button to adjust the resistance as you want and its figure will display on the matrix (level 1 ~ level 16).
- C. When the any target value of you set count down to zero or you have pressed the STOP button, the monitor will stop and display the average figure of TIME/500M.

3-2. PROGRAM

User can select the program profile from P1 to P12 by pressing UP/DOWN/ENTER button, after selected, user can preset the exercise level from L1 to L16 by pressing UP/DOWN/ENTER button, also can adjust the level during exercising.

- A. Enter into this function, press UP/DOWN to set the target profile from P1 to P12, and press ENTER for confirmation. Then "L1" will blink on the monitor, you can press UP/DOWN/ENTER button to set target exercise level from L1 to L16. After level confirmed, you can preset the target value for TIME, DISTANCE, STROKES, CALORIES, PULSE in the same way.

Note : As Time is set, the DISTANCE can't be set, if you set the target time you wish to exercise, each segment would contain the time length of target value divided by 16.

As DISTANCE has been set, the TIME can't be set, if you set the target distance you wish to exercise, each segment would contain the distance length of target value divided by 16.

If you didn't set the value of TIME or DISTANCE, each segment would contain the distance length of 100M.

- B. Press START button to start exercise, the STOP sign will disappear. All values start counting up or down. Press UP or DOWN button to adjust the resistance as you want and its figure will display on the matrix (level 1 ~ level 16). During exercising, the value of TIME and TIME/500M will be scanned in 6 seconds automatically.
- C. When the any target value of you set count down to zero or you have pressed the STOP button, the monitor will stop and display the average figure of TIME/500M and SPM.

3-3. H.R.C.

You can preset the target percentage for heart rate control in this function.

- A. Enter into this function, the monitor will blink with "AGE 25", press UP/DOWN/ENTER to set your age in advance, after confirm, you can select the percentage of heart rate 55%, 75%, 90%, and TAG which be displayed in pulse area by pressing UP/DOWN/ENTER button for target heart rate setting. If the percentage of heart rate doesn't meet your demand, you can also preset your demanded heart rate value by pressing UP/DOWN/ENTER button after TAG selected. After target heart rate confirmed, you may preset the target value for TIME, DISTANCE, STROKES, CALORIES, and PULSE in the same way.

Note : As Time is set, the DISTANCE can't be set, if you set the target time you wish to exercise, each segment would contain the time length of target value divided by 16. As DISTANCE has been set, the TIME can't be set, if you set the target distance you wish to exercise, each segment would contain the distance length of target value divided by 16. If you didn't set the value of TIME or DISTANCE, each segment would contain the distance length of 100M.

- B. Press START button to start exercise, the STOP sign will disappear. All values start counting up or down. During exercising, the value of TIME and TIME/500M, STROKES and TOTAL STROKES,

CALORIES will be switched in each 6 seconds automatically. You may also press "ENTER" to show TIME, SPM, DISTANCE, STROKES, and CALORIES in the main screen (middle).

- C. When the any target value of you set count down to zero (the computer will remind you with beep sound) or you have pressed the STOP button, the monitor will stop and display your current heart rate.

Note : The computer will keep following your heart rate value and adjust the resistance automatically during exercising, when your heart rate is lower than target value, the resistance will be increased one level up (L1, L2, L3...) by computer in each 30 seconds automatically till L16.

When your heart rate reached target value, the resistance will be decreased one level down immediately, if your heart rate keep over target value, the resistance will be decreased one level down (L16, L15, L14,..) by computer automatically in each 15 seconds.

When your heart rate is over target value and resistance has downed to lowest (L1) or your heart rate keep lower than target value and resistance has reached highest (L16), the computer will remind you with beep sound.

When your heart rate keep higher than target value over 30 seconds at lowest resistance (L1), they computer will STOP automatically, it's protection system for heart rate control.

3-4. RACE

- A. Entered into the RACE and L1 will blink, the TIME/500M display with 8:00. You can press UP or DOWN to set difficult of L1 ~ L15 which you want to race with monitor immediately, then press ENTER to confirm.

Then you can set the target race distance by pressing UP/DOWN/MODE button.

The difficult of L1 ~ L5 figure of the TIME/500M is as follows:

L1 = 8:00 ; L2 = 7:30 ; L3 = 7:00 ; L4 = 6:30 ; L5 = 6:00

L6 = 5:30 ; L7 = 5:00 ; L8 = 4:30 ; L9 = 4:00 ; L10 = 3:30

L11 = 3:00 ; L12 = 2:30 ; L13 = 2:00 ; L14 = 1:30 ; L15 = 1:00

- B. Press START button to start race and STOP sign will disappear. The U & PC will display in the matrix. The monitor will STOP when one has reached the distance of race which has been set before, then the matrix displays "PC WIN" or "USER WIN" and may display figure for the status of the SPM value during all exercise after 6 seconds.
- C. When the race is over, you can press the START to have a race once again, press reset to leave the state of the race.

3-5. USER

Entered into this function, you may set the favor program profile for training, press UP/DOWN/MODE button to set up exercising graph you wish.

- A. After confirmed user function, you can see the first column blink on the monitor, and press UP/DOWN/MODE to set the level from 1 to 16, the each grid increase/decrease is 2 levels. Hold the ENTER for 2 seconds to enter into initial (standby) mode, then you can preset target value for TIME, DISTANCE, STROKES, CALORIES, PULSE for setting.
- B. Press START button to start exercise, the STOP sign will disappear. All values start counting up or down. You can press UP or DOWN button to adjust the resistance for each blinking program profile as your wish (all profiles will blink in sequence automatically). During exercising, the value of TIME and TIME/500M, STROKES and TOTAL STROKES and CALORIES will be switched in each 6 seconds automatically. You may also press "ENTER" to show TIME, SPM, DISTANCE, STROKES, and CALORIES in the main screen (middle).
- C. Press STOP button to stop the exercise, the monitor will stop and display your current heart rate on the main screen (middle) and TIME and TIME/500M will blink in turn each 6 seconds.

Free Manuals Download Website

<http://myh66.com>

<http://usermanuals.us>

<http://www.somanuals.com>

<http://www.4manuals.cc>

<http://www.manual-lib.com>

<http://www.404manual.com>

<http://www.luxmanual.com>

<http://aubethermostatmanual.com>

Golf course search by state

<http://golfingnear.com>

Email search by domain

<http://emailbydomain.com>

Auto manuals search

<http://auto.somanuals.com>

TV manuals search

<http://tv.somanuals.com>