

# KETTLER® toys

## DELUXE STROLLER PUSHBAR™

Assembly Instructions

Model # 8135-199

picture similar

USA



**Tools Required:**

(adj. wrench)

(phillips head  
screwdriver)

(flat head screwdriver)

**KETTLER® International, Inc.**

1355 London Bridge Road  
Virginia Beach, Virginia 23453 USA

Email: [parts@kettlerusa.com](mailto:parts@kettlerusa.com)

Web Address: [www.kettlerusa.com](http://www.kettlerusa.com)

Printed on 100% recycled paper!

Read these instructions carefully before assembling the product or using it for the first time. They contain important information for your safety and for the correct use and maintenance of this KETTLER® product. Keep the instructions in a safe place for information or for ordering spare parts.

This KETTLER® product has been designed in accordance with the latest standards of safety and subjected to constant quality monitoring. The data gained from this quality process is then incorporated in the development of our products. For this reason, we reserve the right to make changes in design and technology in order to offer our customers products of the highest standard of quality at all times. In spite of this, should you have any ground for complaint, please contact your KETTLER® dealer.

## For your safety

- This toy vehicle should be used for its intended purpose only, that is as a pushbar for a KETTLER tricycle. It should not be used in any other way, as this may be dangerous. The manufacturer cannot be held liable for damage or injury caused by incorrect use.
- Damaged components may endanger the safety of your child or shorten the lifespan of the product. **Inspect it at regular intervals to ensure that none of the components are damaged and that none of the bolts or other joints have worked loose.**
- Replace worn or damaged parts immediately and ensure that the product is not used again until this has been done. If any parts require replacement, use only original spares manufactured by KETTLER®.
- The product conforms to the American standard ASTM F 963. Incorrect repairs or alterations (removal of original parts of addition of other parts, etc.) may be a source of danger to the user.
- Always ensure that the pushbar fits correctly in the adaptor and locks. Do not hang any weights on the bar! The vehicle may tip over and your child may be hurt. The pushbar is intended for adult use only, do not pass the responsibility of children on to other children. For free play time take the pushbar off for safety reasons.

## Use of the Accessory

- Ensure that the accessory is not used until it has been properly assembled and checked by an adult person.
- Instruct your child how to use the vehicle correctly and draw attention to possible sources of danger.
- When children are at play, situations may arise which cannot be predicted by the manufacturer and for which he cannot be held responsible.
- Although dangerous situations are unlikely to occur if the accessory is used correctly, children at play should, if possible, be supervised.
- **Never use the pushbar as a lever to assist in crossing obstacles such as steps, curbs, etc.**
- Never use corrosive or abrasive substances to clean the accessory. Never use substances which may cause pollution of the environment.
- Please keep original packaging so that it may be used for transport at a later date, if necessary.

## Assembly of the accessory

- The accessory must be assembled carefully by an adult person. Study the assembly instructions carefully before beginning work. Assemble the accessory in the exact sequence shown by the diagrams. This is essential for safe function and use of the scooter.
- Tighten the nuts by hand until resistance is encountered, then use a wrench to tighten them.
- For technical reasons we reserve the right to carry out preliminary assembly work (i.e. addition of tubing plugs).
- When ordering spare parts, always state the full model number, spare part number, quantity required, and serial number.

Example: Model # 8135-199 / Spare part # 8135-199#01 / 1 piece / serial #...

**IMPORTANT:** spare parts do not include fastening material; if fastening material (bolts, nuts, etc.) is required this should be clearly stated on the order by adding the words "with fastening material."

## KETTLER® Limited Warranty

THERE ARE NO WARRANTIES, EXPRESSED OR IMPLIED, MADE BY EITHER THE DISTRIBUTOR OR THE MANUFACTURER ON KETTLER® PRODUCTS, EXCEPT THE MANUFACTURER'S LIMITED WARRANTY AGAINST DEFECTS IN MATERIAL SET OUT BELOW:

This KETTLER® Limited Warranty applies to products sold through the KETTLER® Authorized Dealer Network to the original retail purchaser and authenticated by proof of purchase from a retailer located in the United States. Any shipments made under this warranty will be shipped to the United States only. Any shipment outside of the United States will be at the sole cost of the customer. This KETTLER® Limited Warranty is a manufacturer's warranty and is not changed or modified by additional warranties extended by individual retailers at the point of sale. Manufacturer warrants this product to be free from defects in material at the time of the product's tender of delivery for a period of 1 year for residential use. This Limited Warranty is not transferable and does not cover normal wear and tear (including, but not limited to, damage and wear to tires, power shocks, drive belts and other non-durable parts). The liability of the manufacturer under this Limited Warranty shall not include any liability for direct, indirect, or consequential damages resulting from the defect. This Limited Warranty is void if the product is damaged by accident, unreasonable use, improper service, failure to follow instructions provided, modification from its original state, or other causes determined not arising out of defects in material.

This warranty gives you specific legal rights. Should this product become defective due to material within the warranty period, contact KETTLER® **Parts & Service Dept.** by phone at **866.804.0440**, fax at **757.563.9273**, or e-mail at **parts@kettlerusa.com**.

THIS LIMITED WARRANTY IS EXPRESSLY IN LIEU OF ANY OTHER WARRANTIES, EXPRESSED OR IMPLIED, INCLUDING ANY IMPLIED WARRANTY OF MERCHANTABILITY OR FITNESS FOR A PARTICULAR PURPOSE, AND OF ANY OTHER OBLIGATIONS OR LIABILITY ON THE PART OF THE MANUFACTURER. KETTLER® NEITHER ASSUMES NOR AUTHORIZES ANY OTHER PERSON TO ASSUME FOR IT ANY OTHER LIABILITY IN CONNECTION WITH SUCH PRODUCTS.



### **WARNING!!**

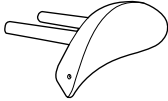
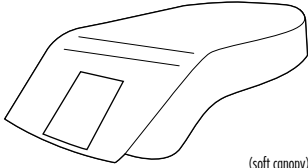
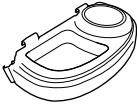

TO AVOID SERIOUS INJURY:

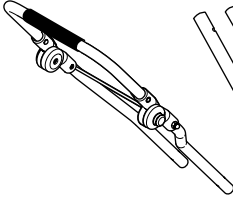

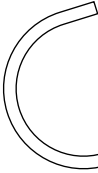
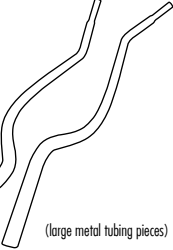
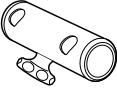
Continuous adult supervision is required; never use near motor vehicles; near streets, swimming pools, hills, steps or sloped driveways. Always wear shoes when using the tricycle. Allow only one rider. The use of protective gear and a bike helmet is highly recommended.

Model # 8135-199

KETTLER® · 1355 London Bridge Road · Virginia Beach, VA 23453  
[www.kettlerusa.com](http://www.kettlerusa.com)

**USA Checklist**

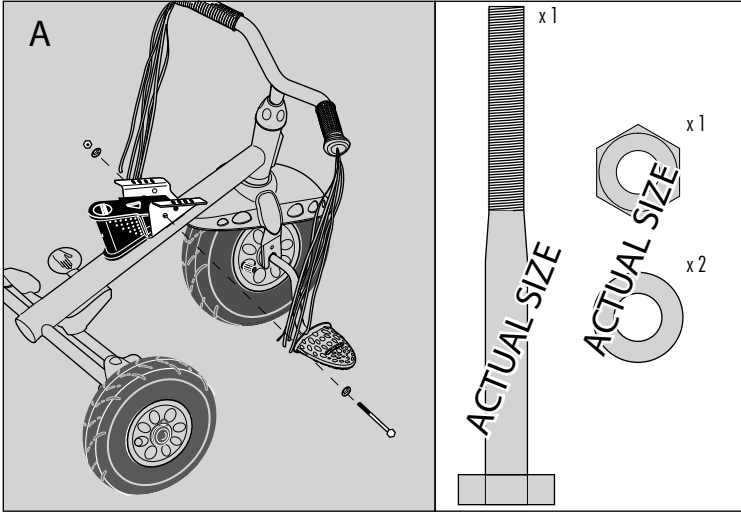
	1	✓
 (soft canopy)	1	
	1	
	1	

 	$\frac{1}{1}$	
  (large metal tubing pieces)	$\frac{1}{1}$	
	2	

**USA Hardware**

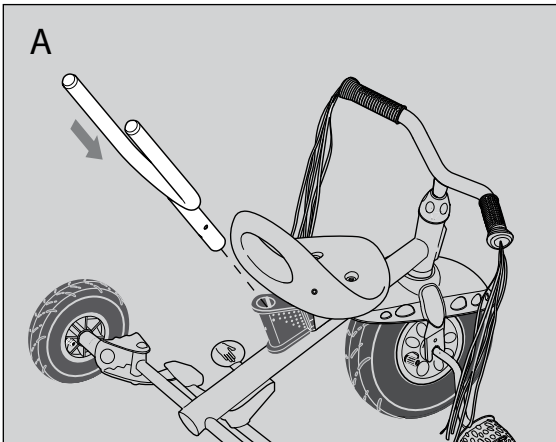
NOTE: ALL HARDWARE IS PREASSEMBLED TO THE CORRESPONDING PARTS USED IN EACH STEP.

1

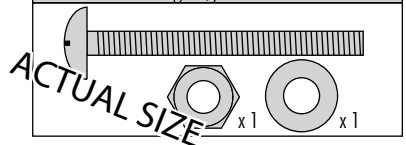
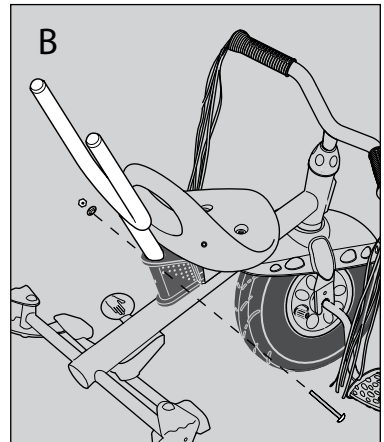


NOTE:  
IF ATTACHING PUSHBAR  
TO ASSEMBLED TRIKE,  
SEAT MUST FIRST BE  
REMOVED THEN RE-  
ATTACHED AFTER  
COMPLETING STEP 1.

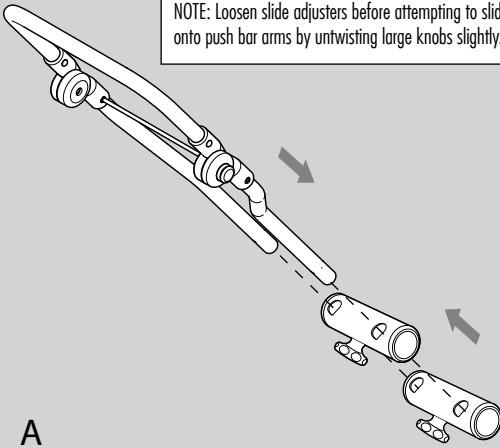
2



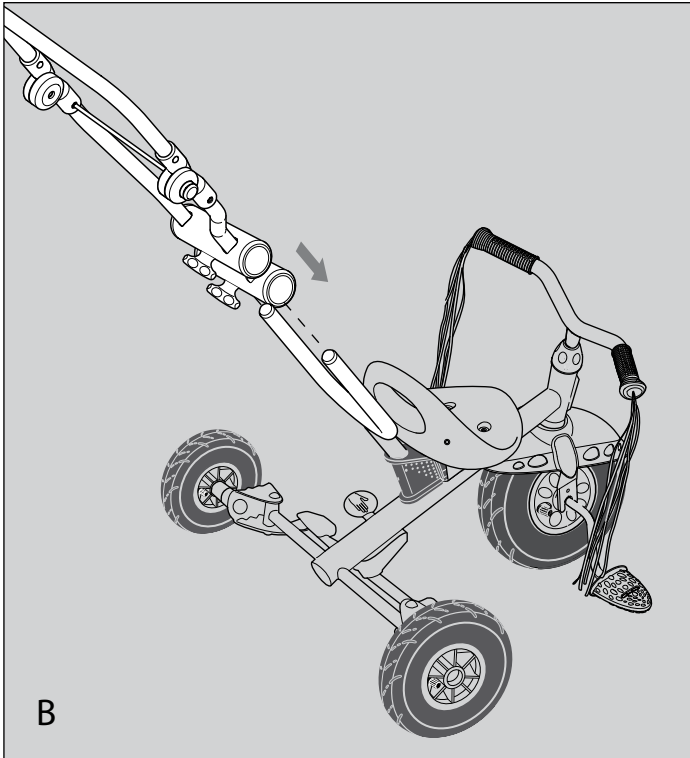
NOTE: Make sure the spring clip clicks into place when inserting the push bar shell tube.



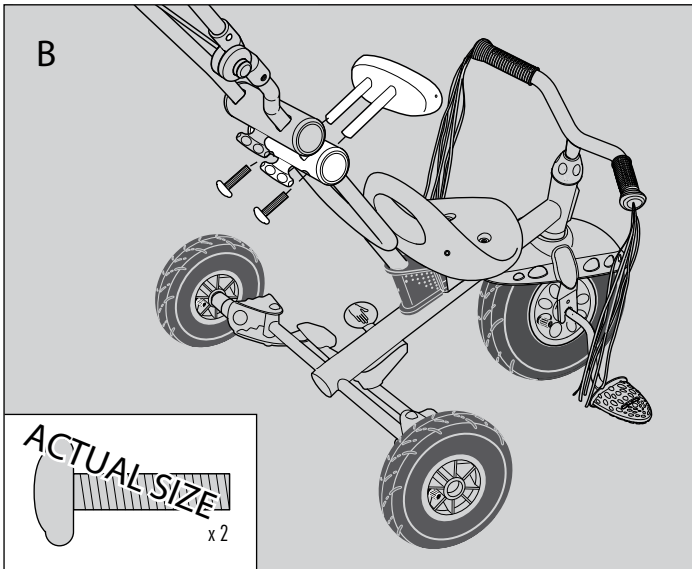
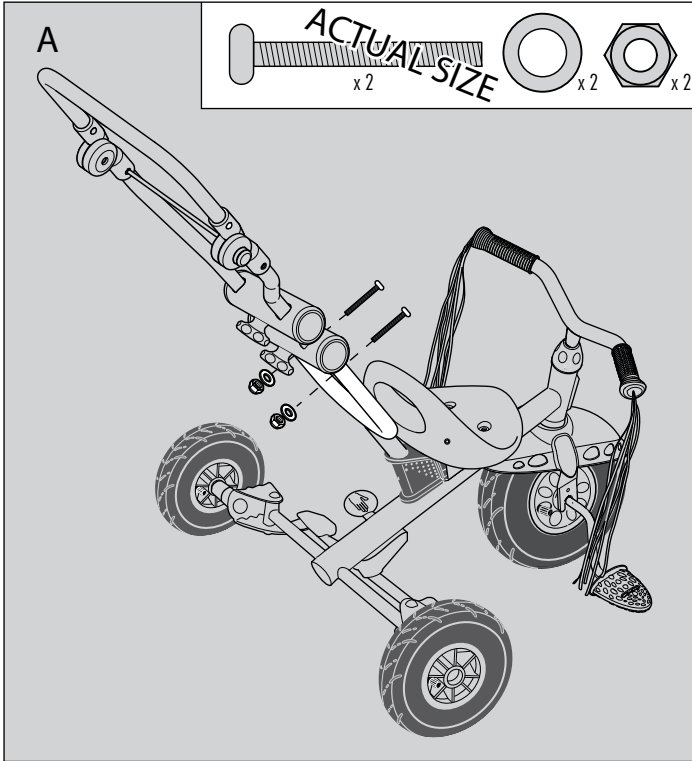
NOTE: Loosen slide adjusters before attempting to slide onto push bar arms by untwisting large knobs slightly.

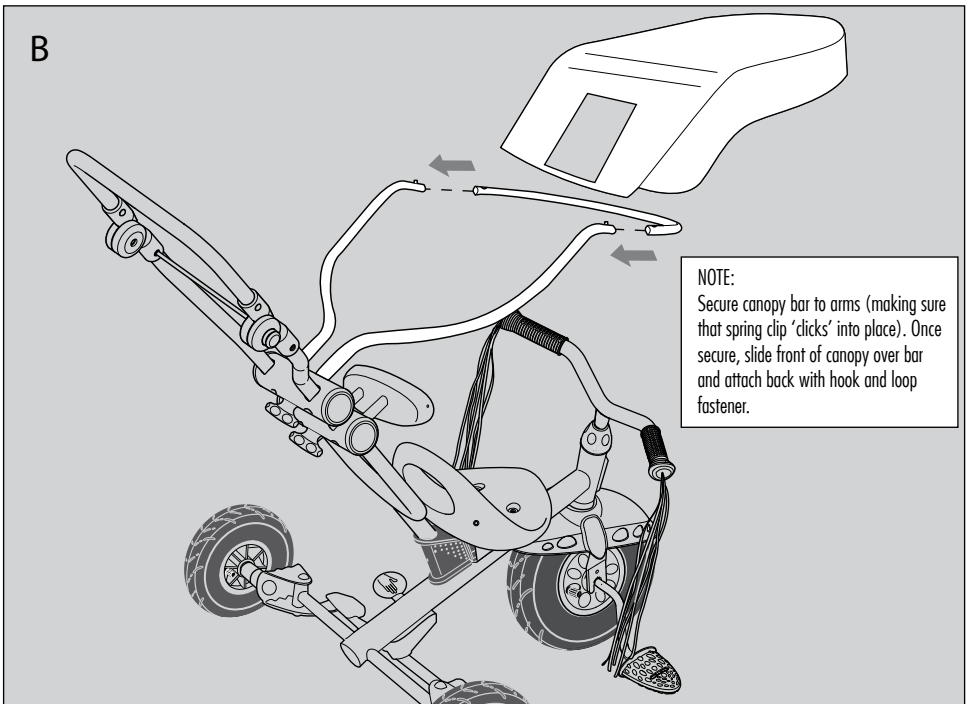
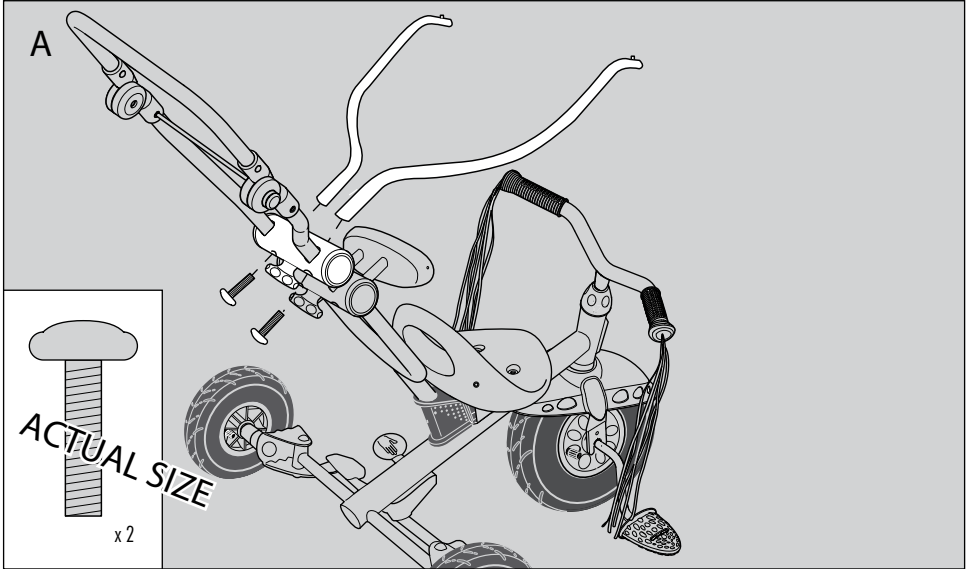


A

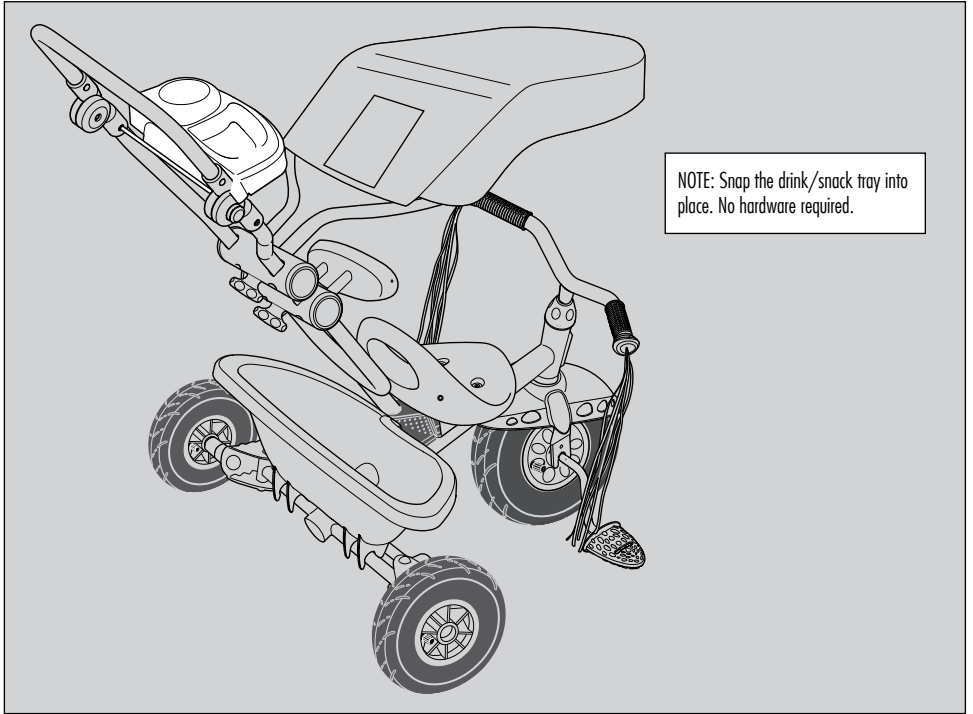


B

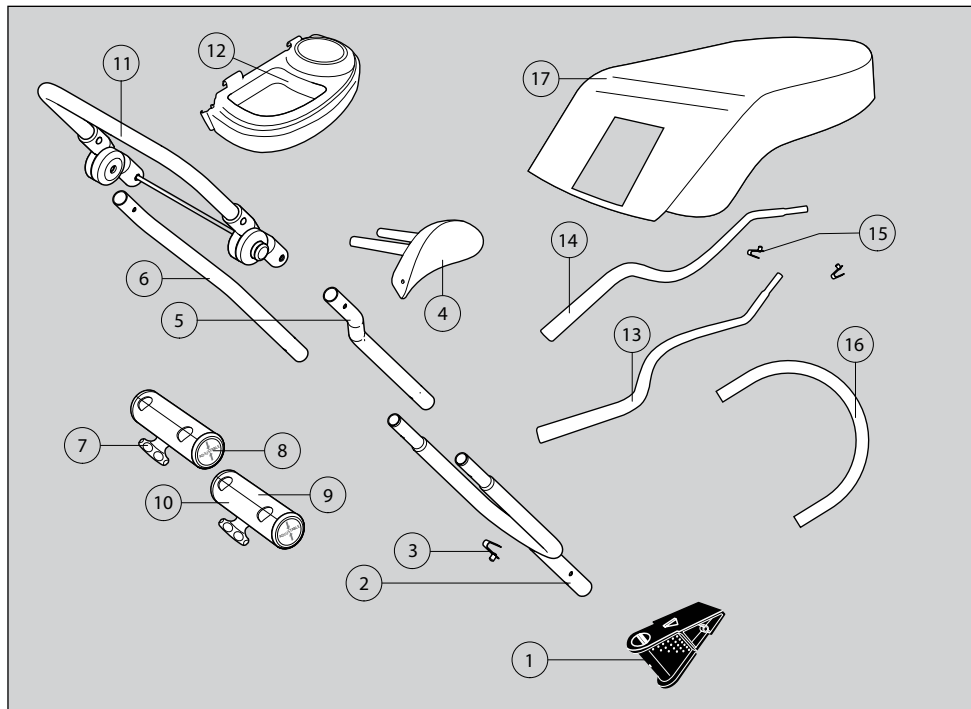








**USA** Spare parts drawing DELUXE STROLLER PUSHBAR Model # 8135-199



When ordering spare parts, always state the full model number, spare part number, the quantity required, and the serial number of the product.

Example Order: model# 8135-199/spare part# 8135-199#07/1 piece/ sn...

**IMPORTANT:** spare part pieces do not include fastening material; if fastening material (bolts, nuts, washers, etc.) is required, this should be clearly stated on the order by adding the words „with fastening material.“

KETTLER® International, Inc. · 1355 London Bridge Road, Virginia Beach, VA 23453  
For parts or service ONLY 1-866-804-0440. Send e-mail to [parts@kettlerusa.com](mailto:parts@kettlerusa.com)



## Spare parts list DELUXE STROLLER PUSHBAR Model # 8135-199

pos.	description	qty.	part no.
1	push bar adapter	1	8849-300#23
2	stroller pushbar shell tube	1	8849-300#22
3	spring clip	1	8849-300#20
4	head rest	1	8849-300#28
5	stroller pushbar connecting tube, right	1	8849-300#32
6	stroller pushbar connecting tube, left	1	8849-300#33
7	adjustment knob	2	8135-199#07
8	slide adjuster endcap	4	8135-199#08
9	slide adjuster, front	2	8135-199#09
10	slide adjuster, rear	2	8135-199#10
11	stroller pushbar grip tube	1	8849-300#21
12	drink/snack tray	1	8849-300#31
13	canopy arm, right	1	8849-300#25
14	canopy arm, left	1	8849-300#26
15	canopy spring clip	2	8135-199#15
16	canopy bar	1	8849-300#27
17	canopy	1	8849-300#02

© 2005 KETTLER®. All rights reserved. No part of this manual may be reproduced, stored in a retrieval system, or transmitted in any form, or by any means, such as electronic, mechanical, photocopying or otherwise, without prior written permission from KETTLER®.

## Free Manuals Download Website

<http://myh66.com>

<http://usermanuals.us>

<http://www.somanuals.com>

<http://www.4manuals.cc>

<http://www.manual-lib.com>

<http://www.404manual.com>

<http://www.luxmanual.com>

<http://aubethermostatmanual.com>

Golf course search by state

<http://golfingnear.com>

Email search by domain

<http://emailbydomain.com>

Auto manuals search

<http://auto.somanuals.com>

TV manuals search

<http://tv.somanuals.com>