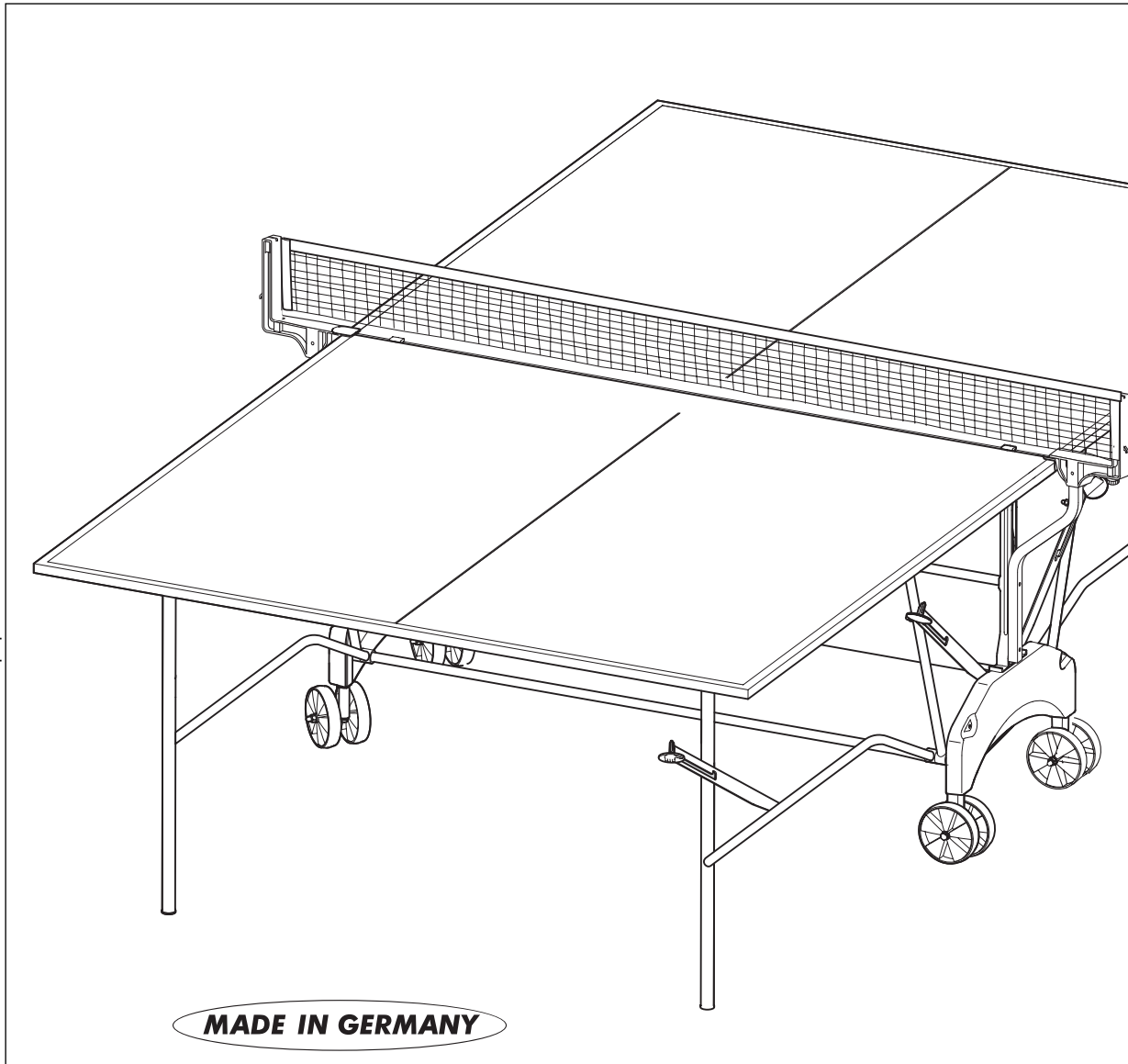


# KETTLER

## Montageanleitung Tischtennistische „RIGA“ und „RIGA PRO“

Art.-Nr. 07042-700, 07043-700, 07042-900, 07043-900



D

GB

F

NL

E

I

PL



**Before assembling or using the table-tennis table, please read the following instructions carefully. They contain important information for use and maintenance of the equipment as well as for your personal safety. Keep these instructions in a safe place for maintenance purposes or for ordering spare parts.**

All KETTLER products are designed in accordance with the latest safety regulations and undergo a constant process of quality control during manufacturing. The knowledge gained in this process is used to constantly improve and develop our products. In order to offer our customers the very best in product quality, we reserve the right to make technical changes at any time. In spite of this, should you have any cause for complaint, please contact your KETTLER dealer.

### ***Note on Safety***

- The table-tennis table should be used only for its intended purpose, i.e. for playing with suitable table-tennis bats and balls.
- All other uses are prohibited and may be dangerous. The manufacturer cannot be held liable for damage or injury caused by improper use of the table.
- Damaged or worn components may endanger your safety or shorten the lifespan of the table-tennis table. Replace worn or damaged components immediately and remove the table from use until this has been done. Use only spare parts manufactured by KETTLER.
- The table-tennis table complies with all safety regulations. Incorrect repairs, alterations to the design (removal of original parts, addition of other components etc.) may endanger the safety of the user.
- Instruct other persons (in particular children) using the table in its correct use, and draw their attention to any potential source of danger, especially when setting up or dismantling the table.
- When setting up or dismantling the table, stay clear of its folding radius.
- When folded up, the table-tennis table presents a large surface to the wind. For this reason, ensure that it is stored in a sheltered position.
- The table-tennis table may be pushed only into the transport position because there is otherwise a danger of injury.
- The unit complies with the standard EN 14468-1:2004.
- Depending on frequency of use, check all screws, bolts etc. regularly to ensure that they are in good condition.
- Caution: While assembly of the product keep off children's reach (Choking hazard - contains small parts).
- In case of enquiry, please contact your KETTLER dealer.

### ***Handling the equipment***

- Do not use the table-tennis table until it has been fully and correctly assembled and checked.
- Ensure that table-tennis tables which are not weatherproof are not exposed to dampness or rain. Keep them well away from direct sources of heat. Should the surface become warped, lay the table on a level surface for a few days.
- Set the table up on a level surface.
- Do not cover it with plastic foil, under which condensation may form. We recommend the weatherproof KETTLER tarpaulin, art. no. 07032-000.
- For practising without a partner, the table halves can be folded up singly.
- For more information on the sport of table-tennis, you are referred to the specialist literature on the subject.
- Do not use corrosive or abrasive materials to clean the equipment. Ensure that such materials are not allowed to pollute the environment. In most cases, a slightly dampened cloth is sufficient.
- **Waste Disposal:** KETTLER products are recyclable. At the end of its useful life please dispose of this article correctly and safely (local refuse sites).

## Instructions for Assembly

- The equipment must be assembled with due care by **two adult persons**.
- Ensure that you have received all the parts required (see check list) and that they are undamaged. Should you have any cause for complaint, please contact your KETTLER dealer.
- Before assembling the equipment, study the drawings carefully and carry out the operations in the order shown by the diagrams. The correct sequence is given in capital letters.
- Please note that there is **always** a danger of injury when working with tools or doing manual work. Therefore please be careful when assembling this machine.
- Ensure that your working area is free of possible sources of danger, for example don't leave any tools lying around. Always dispose packaging material in such a way that it may not cause any danger. There is always a **risk of suffocation** if children play with plastic bags!
- The fastening material required for each assembly step is shown in the diagram inset. Use the fastening material exactly as instructed.
- Bolt all the parts together loosely at first, and check that they have been assembled correctly. Tighten the locknuts by hand until resistance is felt, then **use spanner to finally tighten nuts completely against resistance (locking device)**. Then check that all screw connections have been tightened firmly. **Attention:** once locknuts have been unscrewed they no longer function correctly (the locking device is destroyed), and must be replaced.
- For technical reasons, we reserve the right to carry out preliminary assembly work (e.g. addition of tubing plugs).
- Please keep original packaging of this article, so that it may be used for transport at a later date, if necessary. Goods may **only** be returned after prior arrangement and in (internal) packaging, which is safe for transportation, in the original box if possible. It is important to provide a detailed defect description / damage report!

## List of spare parts

When ordering spare parts, always state the full item number, spare-partnumber, the quantity required and the S/N of the product (see spare parts drawing).

**Example order:** item no. 07042-700 / spare-part no. 10100016 / 2 pieces / S/N.....

**Important:** spare part prices do not include fastening material; if fastening material (bolts, nuts, washers etc.) is required, this

should be clearly stated on the order by adding the words „**with fastening material**“.

**GB** KETTLER GB Ltd. · KETTLER House, Merse Road · North Moons Moat · Redditch, Worcestershire B98 9HL

**USA** KETTLER International Inc. 1355 London Bridge Road · Virginia Beach, VA 23453

<http://www.kettler.net>

# Checkliste (Packungsinhalt)

**GB** Checklist (contents of packaging)

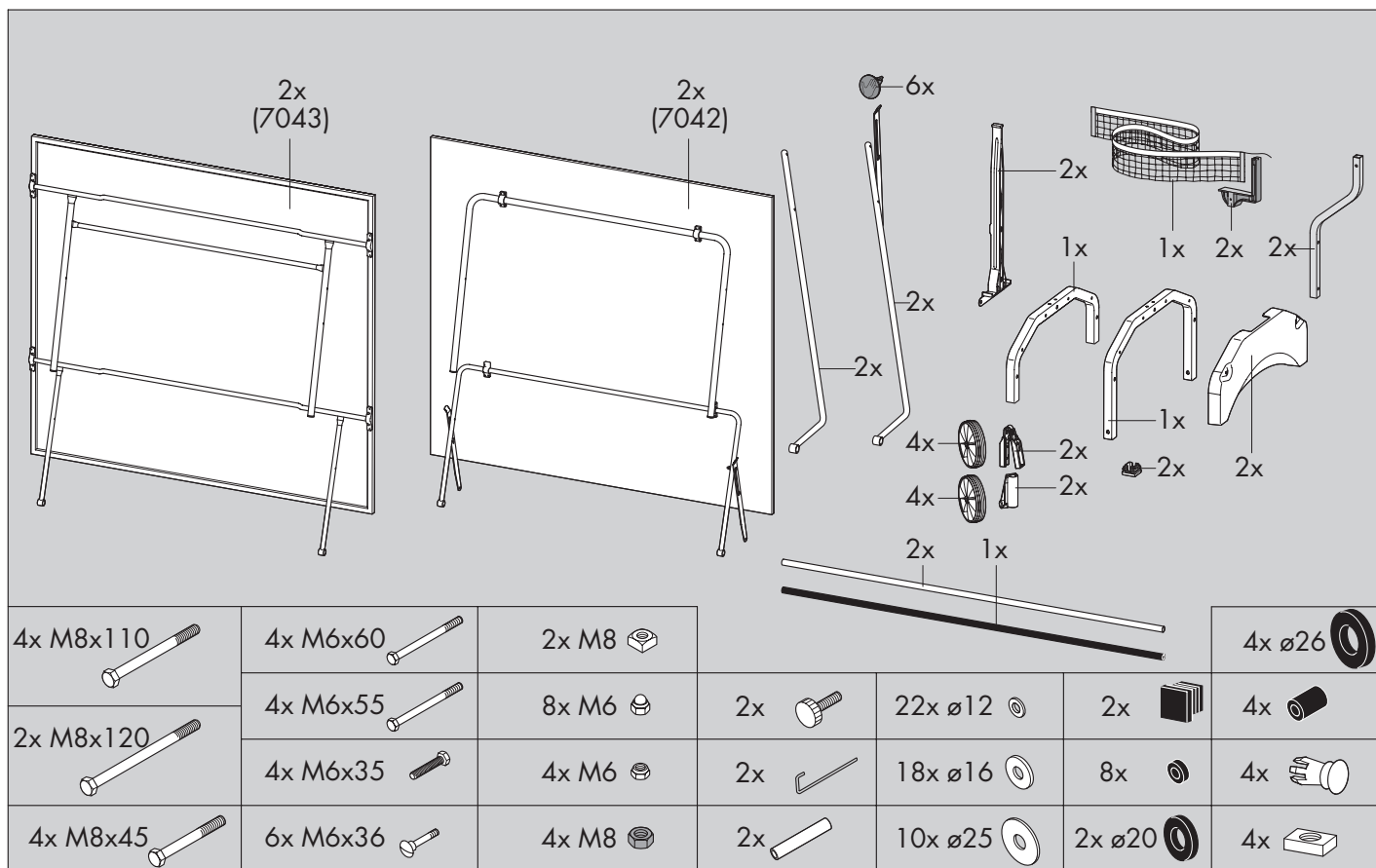
**F** Liste de vérification (contenu de l'emballage)

**NL** Checklijst (verpakkinginhoud)

**E** Lista de control (contenido del paquete)

**I** Lista di controllo (contenuto del pacco)

**PL** Lista kontrolna (zawartość opakowania)



**D** Sie benötigen zusätzlich folgendes Werkzeug (Gehört nicht zum Lieferumfang):

**GB** You also need the following tools (Not included):

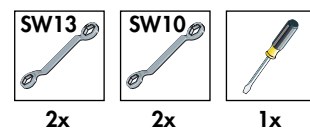
**F** Vous avez besoin de cet util en complément (con compris dans la livraison)

**NL** U heeft tevens volgend gereedschap nodig (Is niet in de levering ingesloten):

**E** Usted necesita adicionalmente la siguiente herramienta (no pertenece al volumen de suministro):

**I** Per eseguire il montaggio, Vi occorre il seguente attrezzo (non è incluso nel volume di fornitura):

**PL** Dodatkowo potrzebne są następujące narzędzia (nie objęte zakresem dostawy):



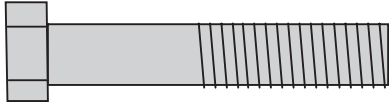


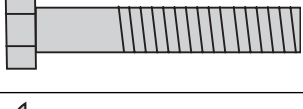





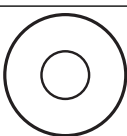

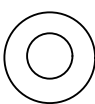

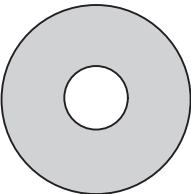

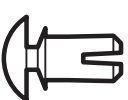
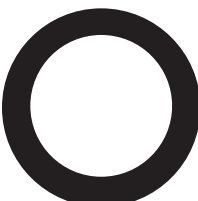


2x

2x

1x

## Actual size of hardware

	M8x120		
	M8x110		
	M8x45		
	M6x60		
	M6x55		
	M6x35		
	M6x37		
	M6		M6
	M8		M6
	ø16x6		M8
	ø12x6		ø12x6
	ø25x8		ø20x6
	6x9.5		ø26x19

# Messhilfe für Verschraubungsmaterial

**GB** Measuring help for screw connections

**E** Ayuda para la medición del material de atornilladura

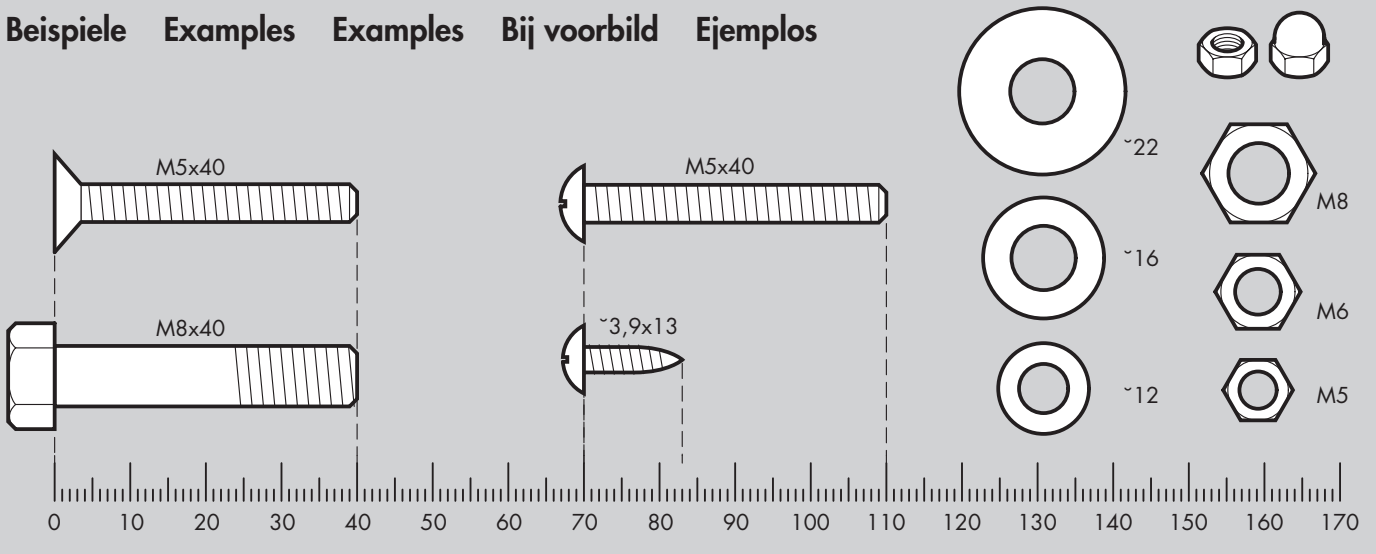
**F** Gabarit pour système de serrage

**I** Misura per materiale di avvitamento

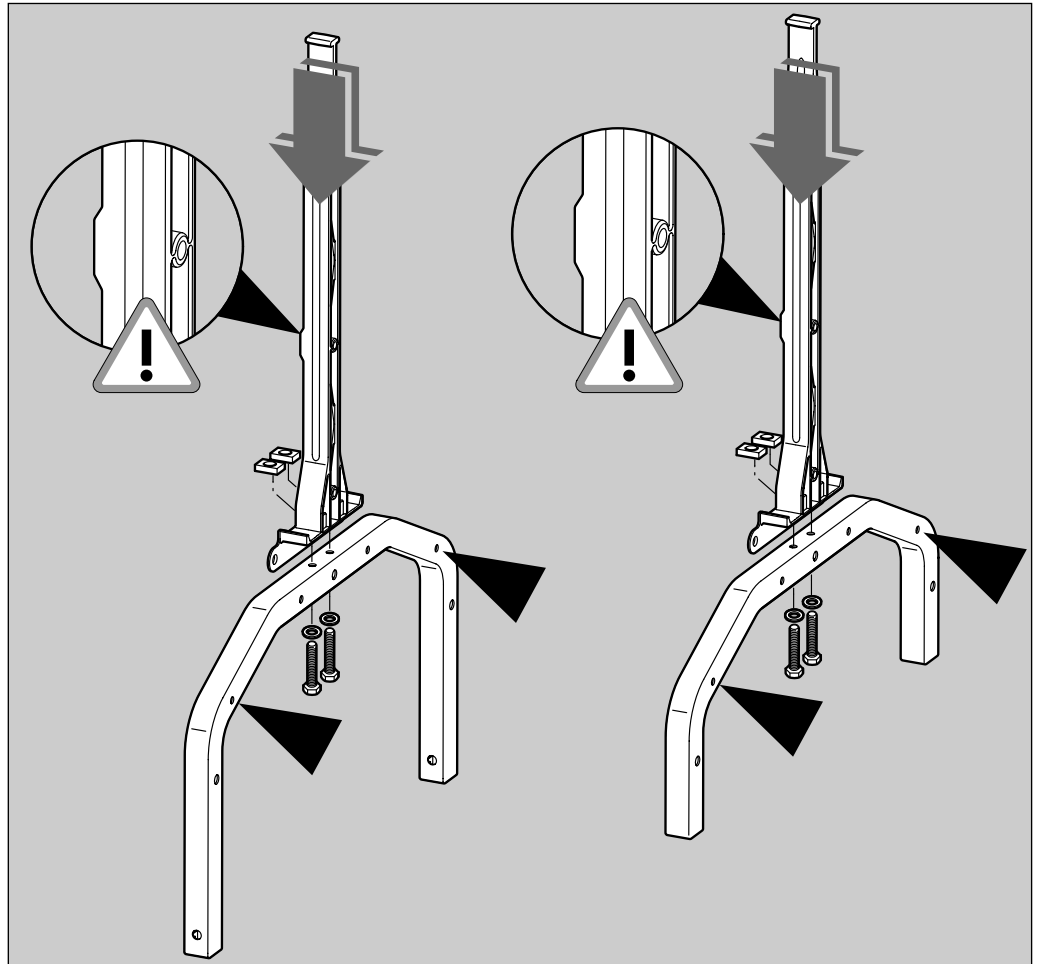
**NL** Meethulp voor schroefmateriaal

**PL** Wzornik do połączeń śrubowych

## Beispiele Examples Examples Bij voorbeeld Ejemplos



1



4x  
M6x35

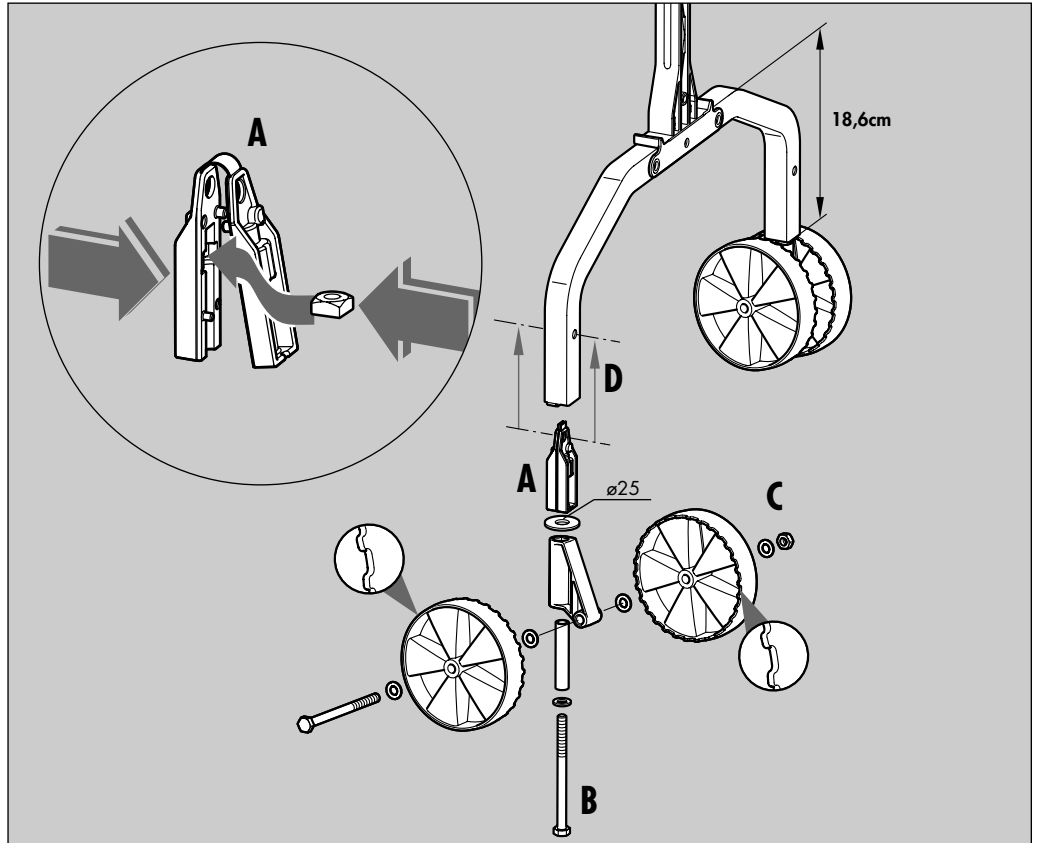
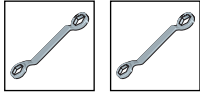


4x  
ø12



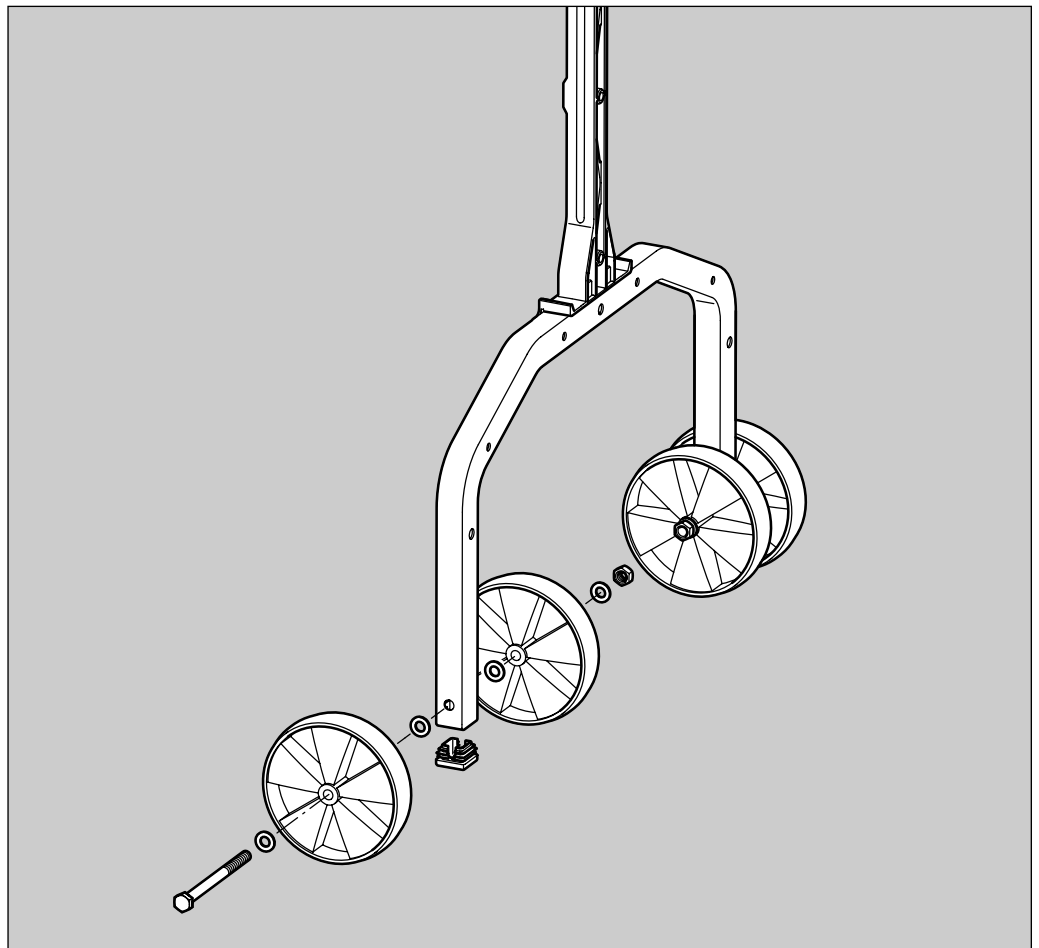
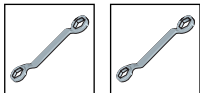
4x

# 2



A	B	C
2x M8	2x M8x120	2x M8x110
	2x ø16	8x ø16
	2x ø25	2x M8

# 3



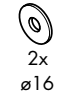
2x M8x110
8x ø16
2x



**A**



2x  
M6x55

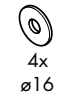


2x  
ø16

**B**



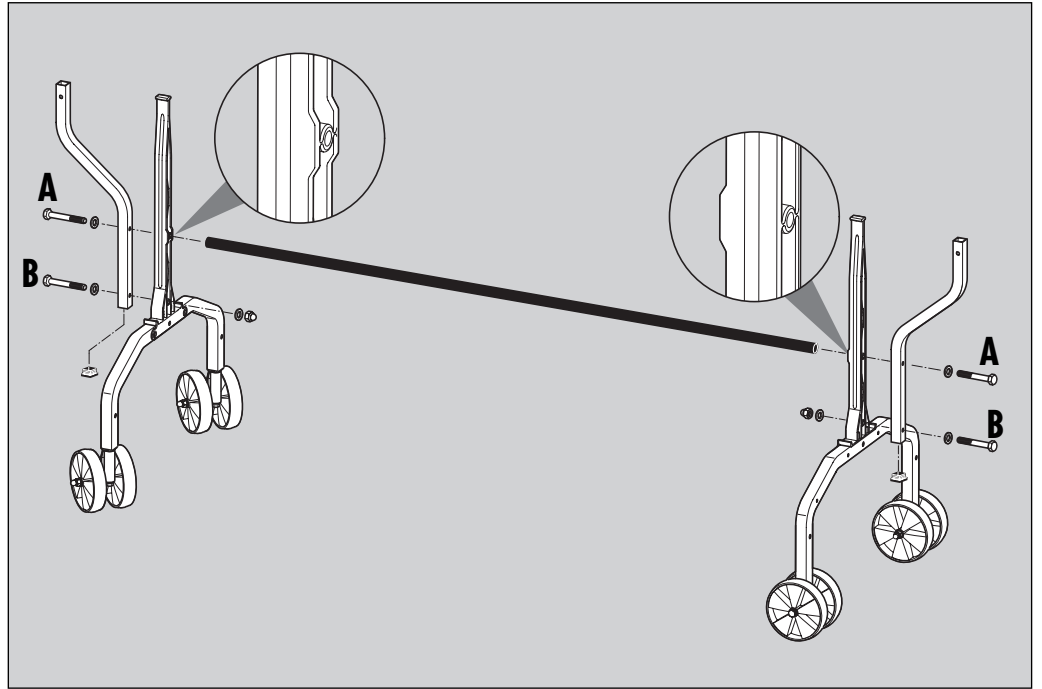
2x  
M6x55



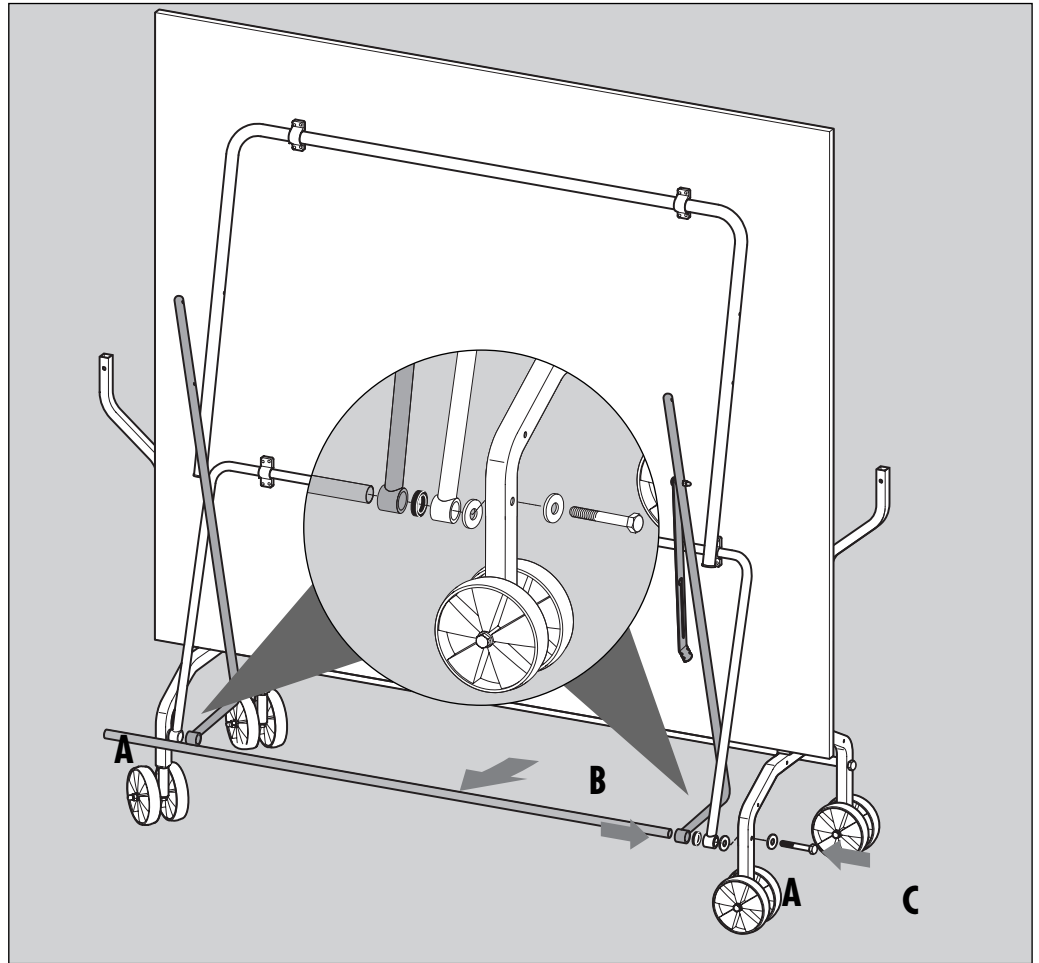
4x  
ø16



2x





**D**2x  
M8x454x  
ø252x  
ø26

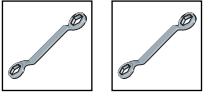
- D** **B:** Die Streben des Tragrahmens müssen hierbei ein wenig zur Seite gebogen werden; gehen Sie hierbei vorsichtig vor!  
**C:** Setzen Sie nun eine Plattenhälfte auf. Sichern Sie die Plattenhälfte für die folgenden Montageschritte unbedingt gegen Abrutschen und/oder Umkippen! Lassen Sie von einer zweiten Person auf jeder Seite die Schubstrebe und die Tragrahmenstrebe auf das letzte Verbindungsrohr aufschieben.  
**D:** Das Verbindungsrohr wird nun mit den Seitenteilen verschraubt.
- GB** **B:** To do this, the braces for the frame must be bent slightly to the side. Proceed with care when doing this.  
**C:** Position one of the table halves and ensure that it cannot slip or tilt over. Ask another person to attach the push bar and the support-frame brace to the last connecting bar.  
**D:** The connecting bar is now bolted to the side elements.
- F** **B:** Pour cela les jambes de forces du cadre porteur doivent être pliées un peu de côté; pratiquer là avec précaution.  
**C:** Poser un plateau. Il est absolument nécessaire de sécuriser les plateaux pour les opérations de montage qui suivront, afin qu'ils ne puissent ni glisser ni se renverser. Demander à une autre personne de glisser de chaque côté l'entretoise et la jambe de force du cadre porteur sur le dernier tube de jonction.  
**D:** Visser ensuite le tube de jonction aux pièces de côté.
- NL** **B:** De stangen van het draagframe moeten hierbij aan de kant enigszins gebogen worden; ga hierbij voorzichtig te werk!  
**C:** Stel een bladhalf op. Blokkeer deze bladhalf voor het volgende deel van de montage tegen wegglijden en/of kantelen. Laat een volwassene aan elke zijde de schuifstang en het





draagframe over de laatste verbindingsbuis schuiven.

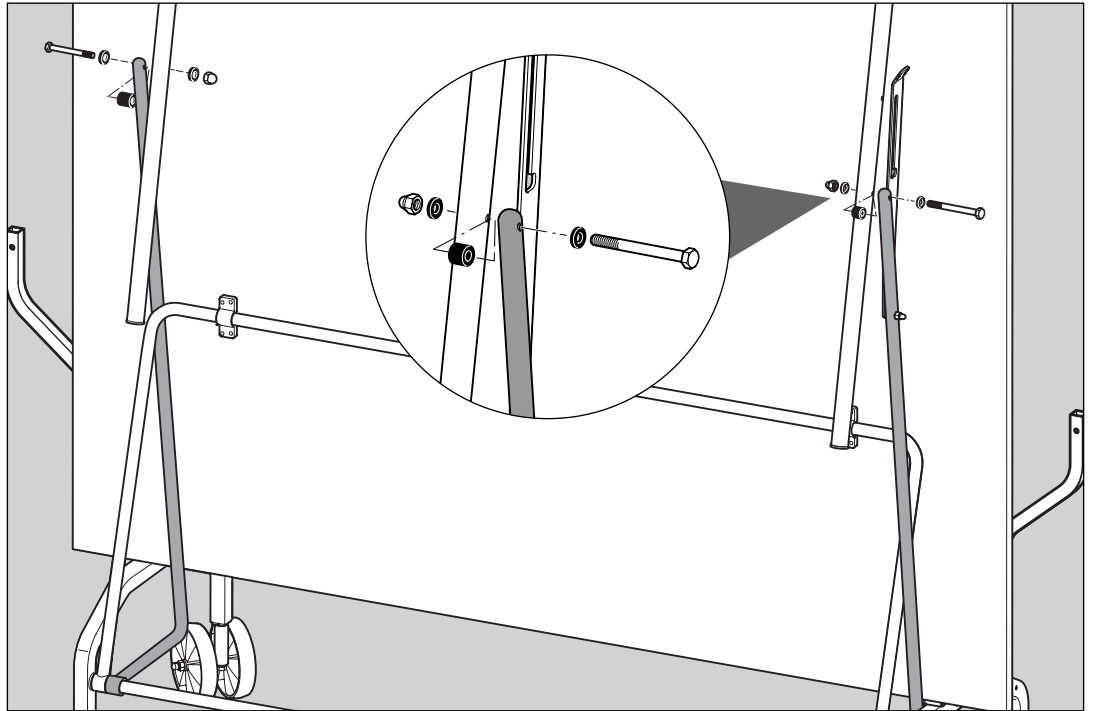
**D:** De verbindingsbuis moet nu aan de zijden worden vastgeschroefd.

- E** **B:** Los puntales del marco soporte tienen que ser ligeramente doblados; ¡ejecute este proceso con cuidado!  
**C:** Ponga la mitad de la plancha. ¡Asegure la mitad de la plancha para los próximos pasos de montaje contra deslizamiento y/o vuelco! Deje que una segunda persona empuje a cada lado el puntal de empuje y el puntal del marco en el último tubo de unión.  
**D:** El tubo de unión es atornillado con las partes laterales.
- I** **B:** A questo proposito è necessario piegare leggermente verso il lato i montanti della staffa di supporto; procedere con cautela!  
**C:** Disporre un semipiano. Assicurarsi che il semipiano sia fissato bene, in modo da non scivolare o ribaltarsi durante le fasi successive di montaggio! Da una seconda persona far posizionare i sostegni scorrevoli su ciascun lato e il sostegno del telaio portante sull'ultimo tubolare di collegamento.  
**D:** Il tubolare di collegamento adesso avvitato con i componenti laterali.
- B:** Poprzeczki patąka podporowego muszą zostać przy tym nieznacznie rozgięte na zewnątrz. Zachować przy tym ostrożność!  
**C:** Po jednej stronie ułożyć połówkę płyty. Dla następnych operacji montażowych należy koniecznie zabezpieczyć połówkę płyty przed ześlizgnięciem się i/lub przewróceniem się! Poprosić drugą osobę o nasunięcie po obu stronach popychaczy ukośnych i podpór ukośnych ramy na ostatnią rurę łączącą.  
**D:** ura łącząca skręcona zostaje teraz z częściami bocznymi.

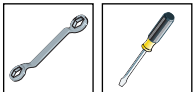
# 6

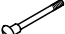



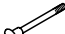




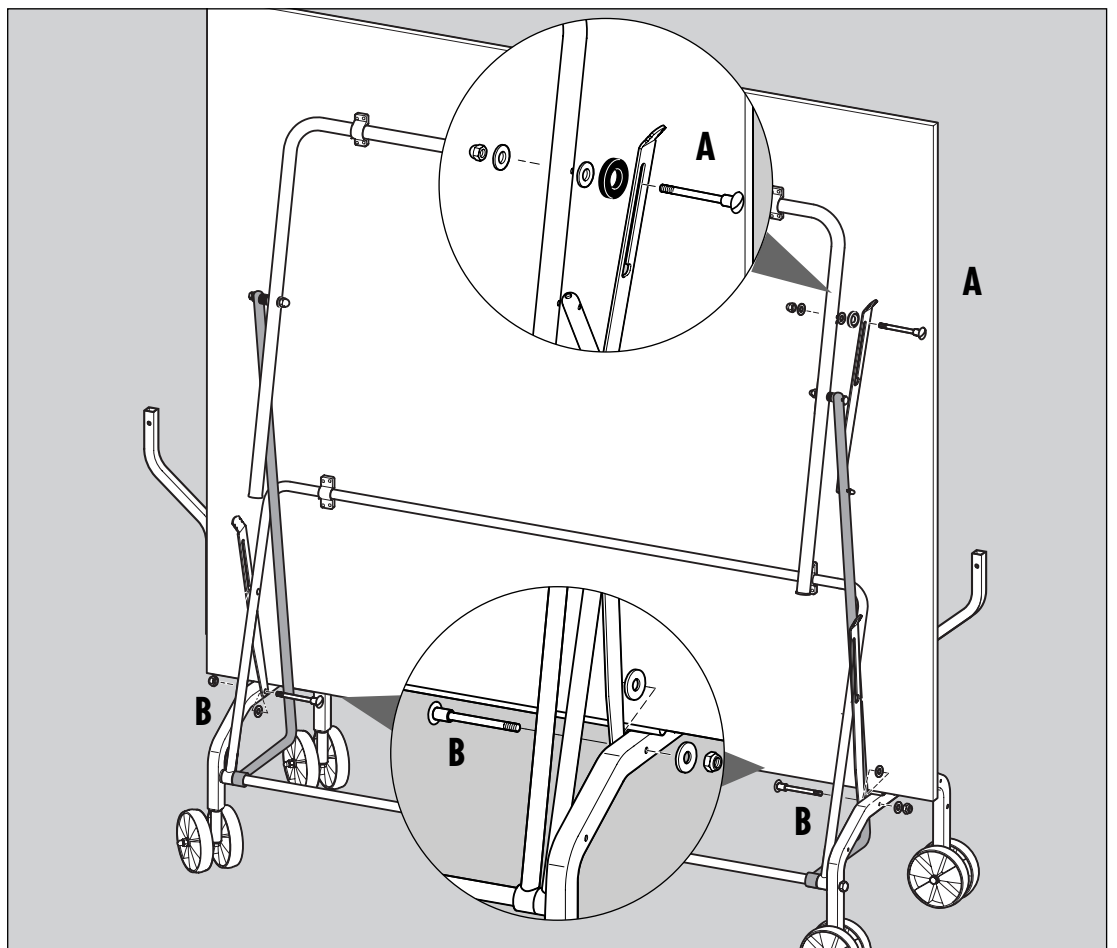
-  2x  
M6x60
-  2x
-  4x
-  2x  
M6

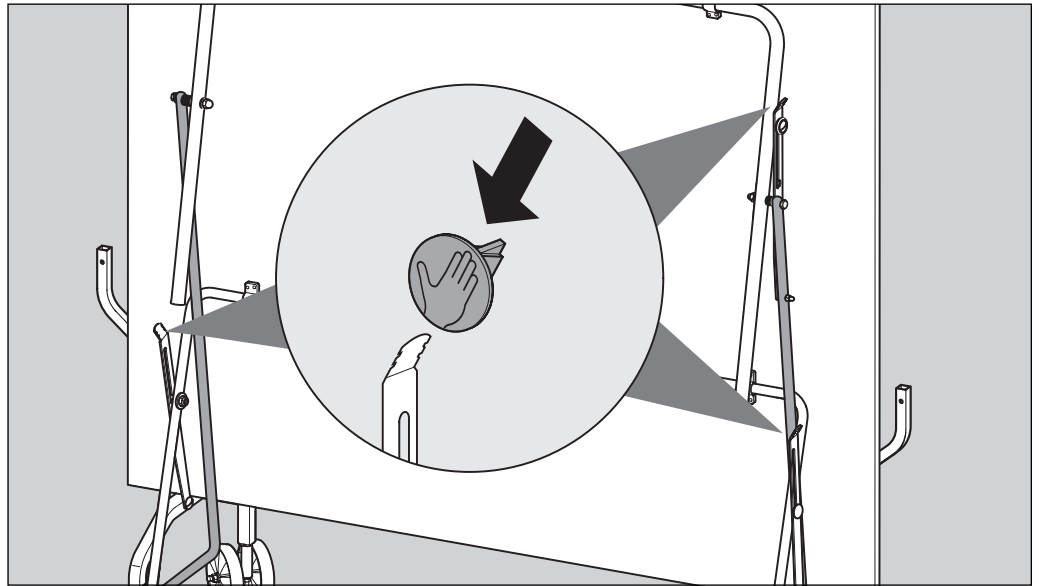


# 7

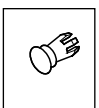
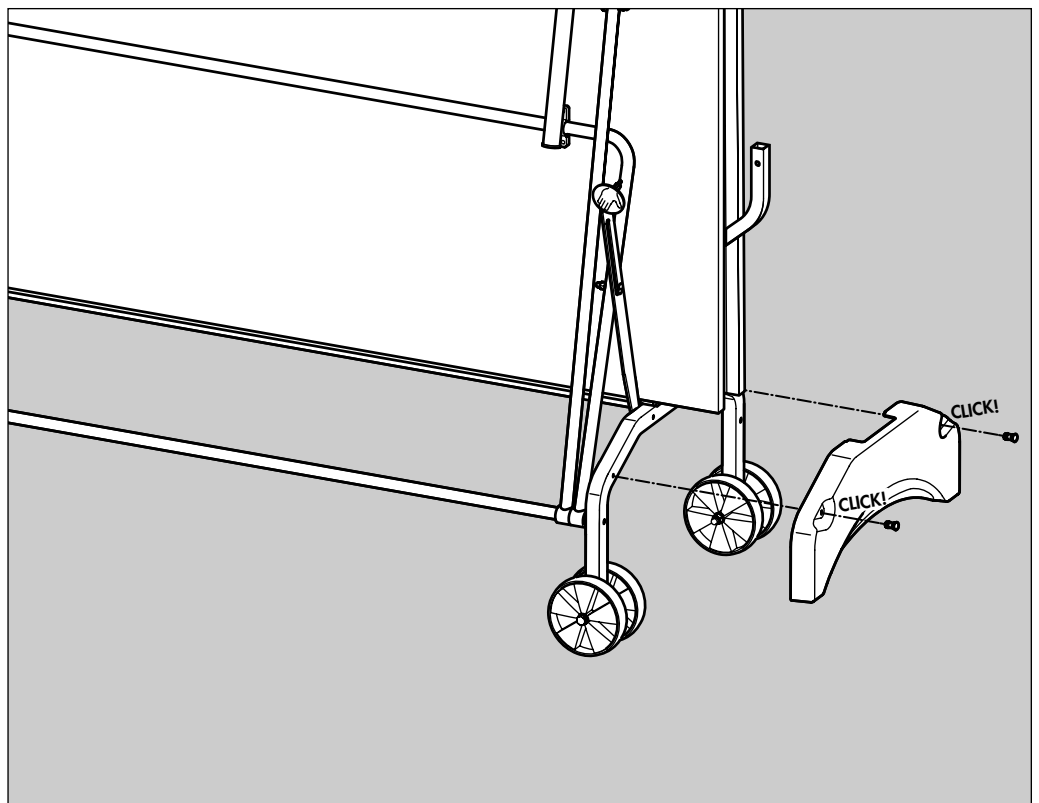


- |   |   |
|---|---|
| <p><b>A</b></p> <ul style="list-style-type: none"> <li> 1x<br/>M6x36</li> <li> 1x<br/>ø20</li> <li> 2x<br/>ø12</li> <li> 1x<br/>M6</li> </ul> | <p><b>B</b></p> <ul style="list-style-type: none"> <li> 2x<br/>M6x36</li> <li> 4x<br/>ø12</li> <li> 2x<br/>M6</li> </ul> |
|---|---|





- Ⓓ Führen Sie die Schritte 5 bis 8 für die zweite Plattenhälfte durch. Denken Sie auch hier wieder an die Sicherung der Platte!
- Ⓖᐁ Carry out steps 5–8 for the second half of the table. Again, ensure that the table cannot slip or tilt over!
- Ⓕ Effectuer les opérations 5 à 8 pour la deuxième moitié de table. Là non plus, ne pas oublier la sécurisation du plateau.
- Ⓖᐁ Voer de montageschappen 5 tot 8 voor de tweede blad helft uit. Denk ook hierbij weer aan de vergrendeling van het blad!
- Ⓔ Execute los pasos 5 a 8 para la segunda mitad de la plancha.
- Ⓘ Ripetere le operazioni da 5 a 8 anche per il secondo semipiano
- Ⓖᐁ Powtórzyć kroki 5 do 8 dla drugiej połówki płyty.



## Herunterklappen der Plattenhälften

**GB** Lowering the table halve

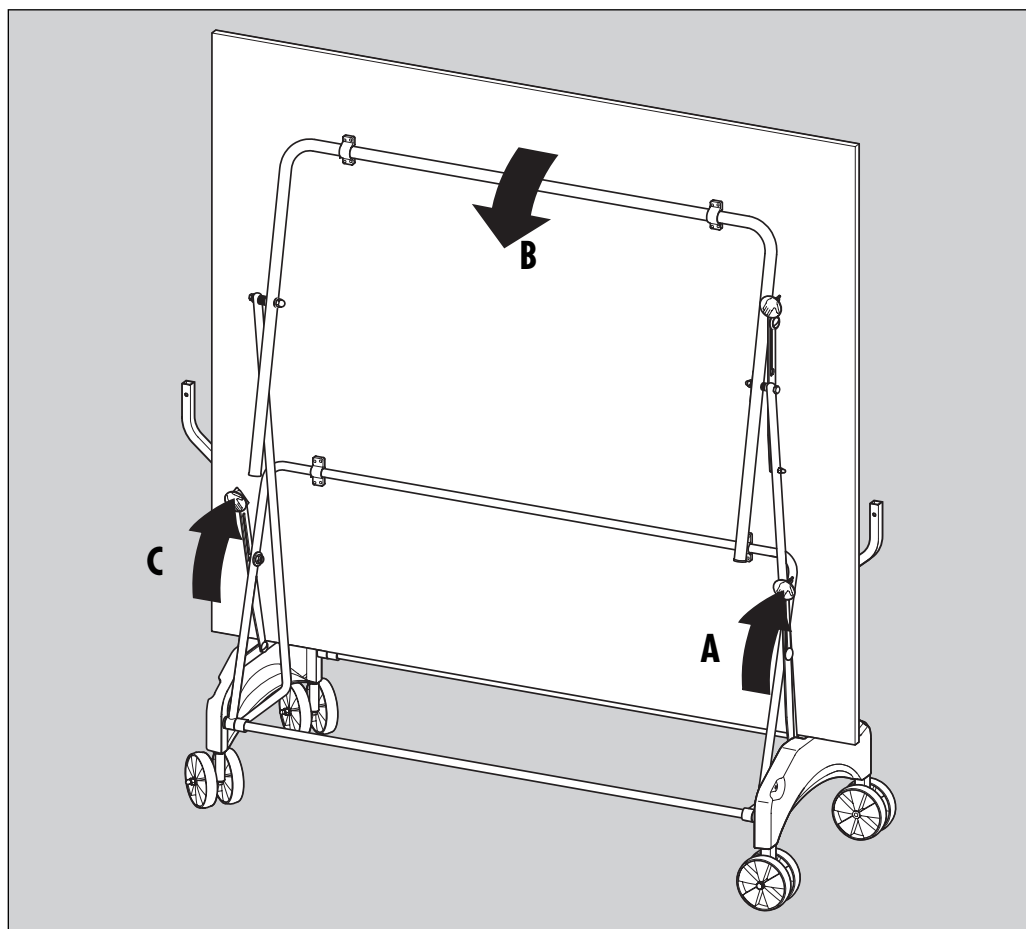
**F** Rabattre les moitiés de la table

**NL** Neerslaan van de plathelften

**E** Despliegue de los dos segmentos de la placa

**I** Ribaltare le metà del tavolo

**PL** Opuszczanie płyt stołu



**D** Drücken Sie die rechte Kippsicherung. Anschließend die Platte mit einer Hand festhalten, linke Kippsicherung drücken und Platte langsam herunterklappen (Platte unter keinen Umständen einfach fallen lassen!).

**GB** Press the right-hand tip lock. Hold the table firmly with one hand, press the left-hand lock and lower the table-half slowly into position. Never allow it to drop down!

**F** Appuyer sur la sécurité de basculement de droite. Tenir ensuite le plateau d'une main, appuyer sur la sécurité de basculement de gauche et laisser descendre lentement le plateau (en aucun cas on ne pourra le laisser tout simplement tomber).

**NL** Druk de rechter kiepvergrendeling in. Houd het blad dan met een hand vast, druk op de linker kiepvergrendeling en klap het blad langzaam naar beneden (laat het blad in geen geval zomaar vallen!).

**E** Presione el seguro derecho. Sujete a continuación la plancha con una mano y presione el seguro izquierdo contra vuelco. Baje lentamente la plancha (¡no deje caer la plancha por ningún motivo!).

**I** Premiere il pulsante antiribaltamento destro. Sostenendo il piano con una mano, premere il pulsante antiribaltamento sinistro e abbassare lentamente il piano stesso (per nessun motivo lasciare il piano in caduta libera!).

**PL** Nacisnąć prawe zabezpieczenie przed przewróceniem się. Następnie przytrzymać płytę jedną ręką, nacisnąć zabezpieczenie przed przewróceniem się po lewej stronie i pozwoli opuścić płytę (pod żadnym pozorem nie pozwolić płycie opaść pod własnym ciężarem!).

## Zusammenklappen der Plattenhälften

**GB** Collapsing the table halves

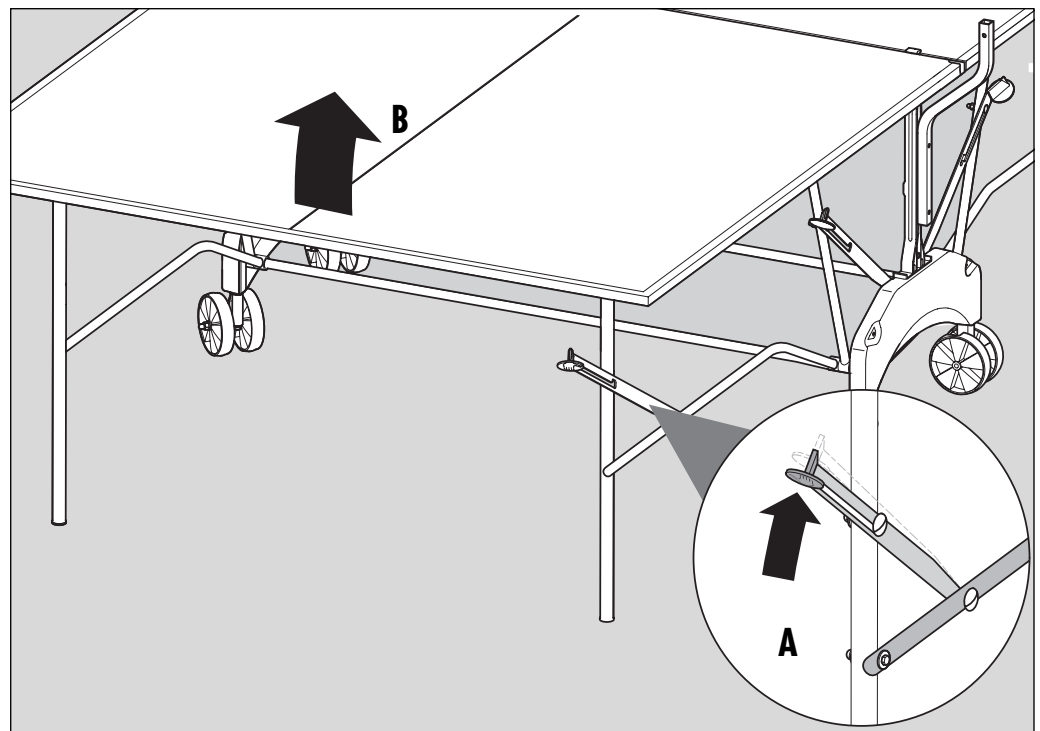
**F** Replier les moitiés de la table

**NL** Tesamenlaan van de plaatshelften

**E** Plegar los segmentos de las placas

**I** Chiudere le metà del tavolo

**PL** Składanie płyt stołu



**D** Drücken Sie den Hebel der Standsicherung nach oben und heben Sie die Plattenhälfte an. Behalten Sie in der Anfangsphase des Hochklappens den Druck bei.

**GB** Press the locking lever up and lift the table half upwards. Continue to press the lever during the first part of the upward motion.

**F** Pousser le levier de la sécurité vers le haut et soulever le demi-plateau. Maintenir la pression dans la phase initiale du redressement.

**NL** Druk de linker kiepvergrendeling naar boven en til de bladshelften op. In het begin dient u hierbij druk uit te oefenen.

**E** Presione la palanca de seguro de la estabilidad hacia arriba y levante la mitad de la mesa. Mantenga la presión en la fase inicial del levantamiento.

**I** Premere verso l'alto la leva del dispositivo stabilizzatore e sollevare il semipiano. Mantenere la pressione nella fase iniziale del sollevamento del semipiano.

**PL** Obrócić dźwignie podpór w górę i podnieść połówkę płyty. W początkowej fazie podnoszenia należy nadal naciskać zabezpieczenia.

# Montage des Netzhalters

**GB** Instructions for Assembling the net set

**F** Instructions de montage pour l'ensemble poteaux-filet

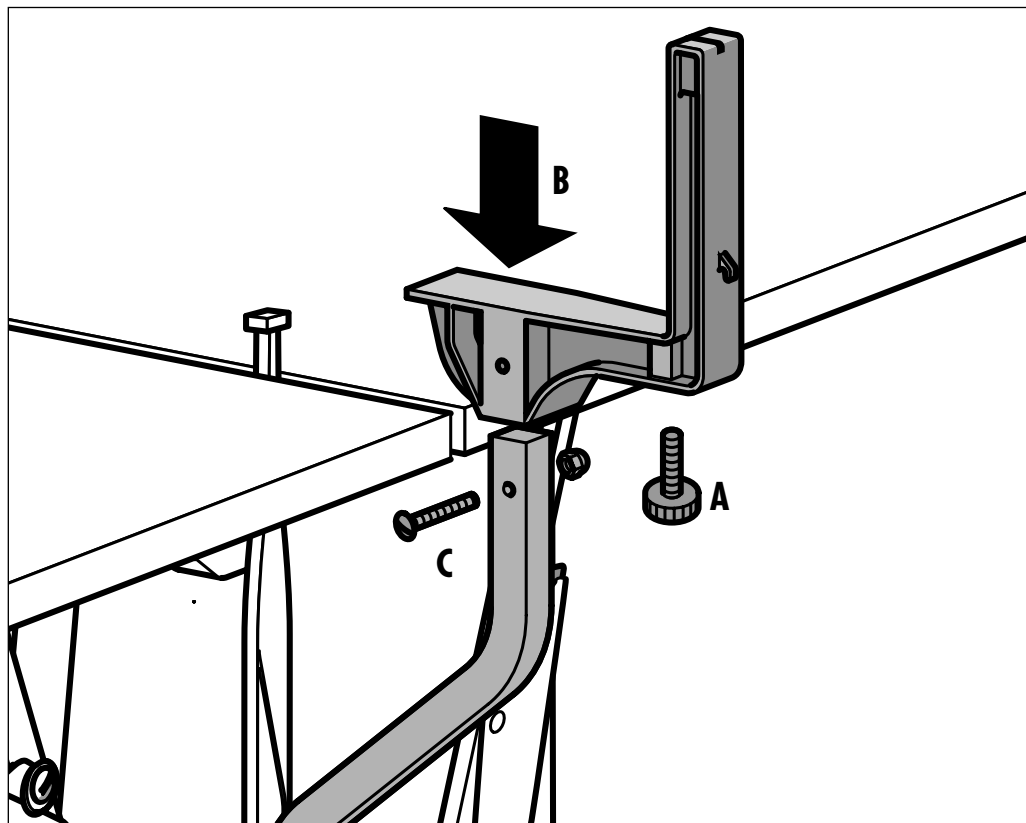
**NL** Montage van de netpost

**E** Montaje del portared

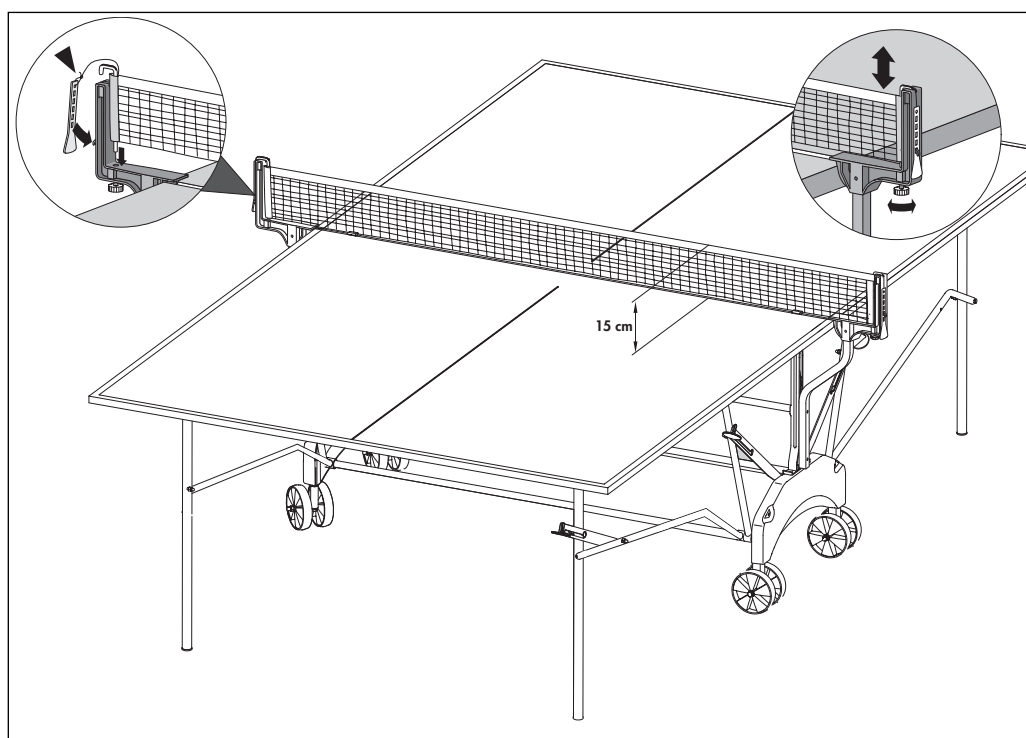
**I** Montaggio dell'attacco della rete

**PL** Montaż uchwyty siatki

1



2



# Ersatzteilzeichnung

**GB** Spare parts drawing and list

**F** Dessin et liste des pièces de rechange

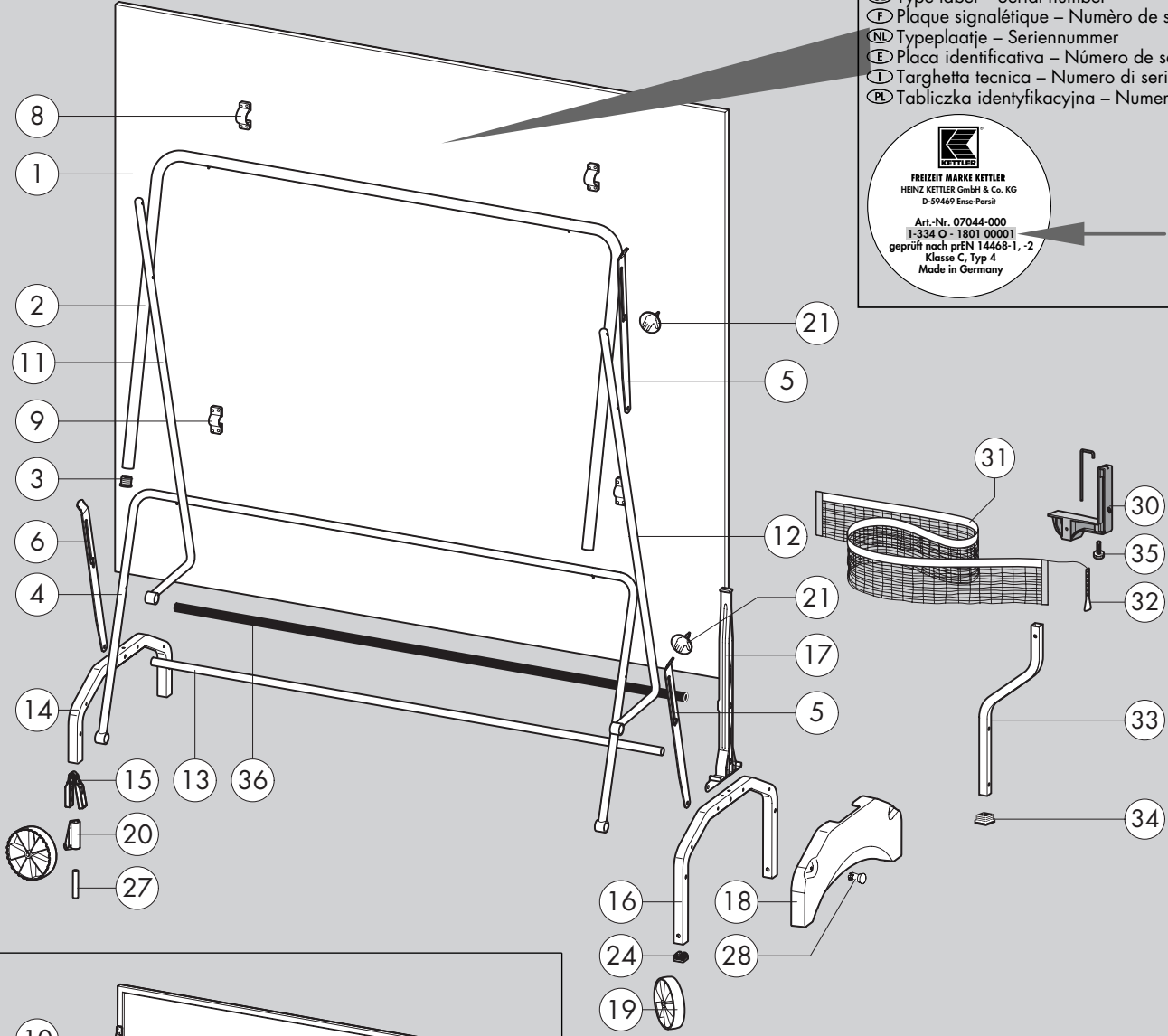
**NL** Reserveonderdeeltkening en -lijst

**E** Designación y lista de las piezas de recambio

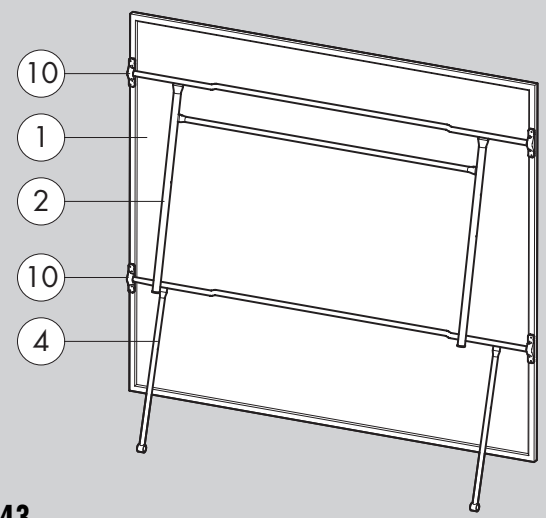
**I** Disegno ed elenco dei pezzi di ricambio

**PL** Rysunek i lista części zamiennych

7042

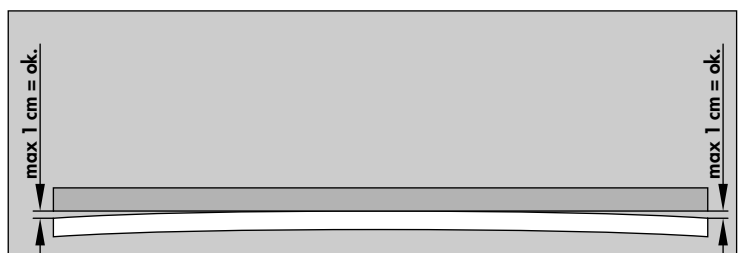
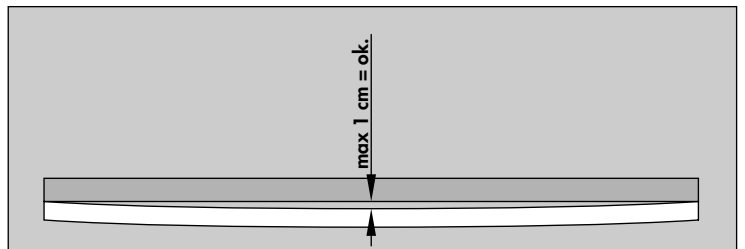
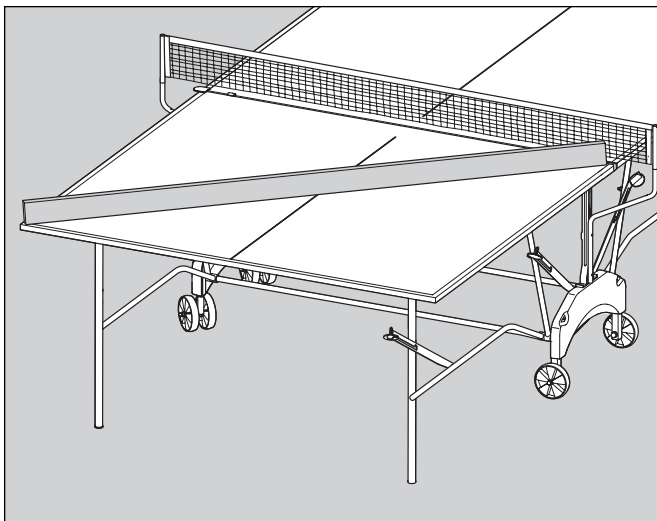


7043



# Ersatzteilliste

Teil Nr.	Bezeichnung	Stück	07042-700	07042-900	07043-700	07043-900
			blau/schwarz nicht wetterfest	grün/schwarz nicht wetterfest	blau/schwarz wetterfest	grün/schwarz wetterfest
1	TT-Platte (BITTE UNBEDINGT ARTIKEL-NUMMER DES TT-TISCHES ANGEBEN!)	2	94130117	94130000	94130125	94130003
2	Fussbügel/-gestell mit Bodenschonern	2	94111232	94111232	94111247	94111247
3	Bodenschoner	4	70130540	70130540	70130540	70130540
4	Sützbügel (mit Rohrverbindern, Sicherungen, Bundschrauben M6x30mm)	2	94111237	94111237	94111250	94111250
5	Sicherungshebel 1	4	94111234	94111234	94111234	94111234
6	Sicherungshebel 2	2	94111233	94111233	94111233	94111233
8	Rohrschelle für ø25mm	4	94110341	94110341	-	-
9	Rohrschelle für ø18mm	4	94110192	94110192	-	-
10	Lagerböckchen	8	-	-	10128028	10128028
11	Schubstange	2	94111239	94111239	94111239	94111239
12	Schubstange mit Sicherungshebel	2	94111240	94111240	94111240	94111240
13	Verbindungsstange	2	94110912	94110912	94110912	94110912
14	Grundbügel (714mm)	1	94111242	94111242	94111242	94111242
15	Radhalter	2	70130811	70130811	70130811	70130811
16	Grundbügel (895mm) mit Stopfen für VKT 25mm	1	94111246	94111246	94111246	94111246
17	Abweisstange	2	70130607	70130607	70130607	70130607
18	Seitenverkleidung	2	70130608	70130608	70130608	70130608
19	Räder-Satz (4 Stück) mit Radverbinder	2	94180177	94180177	94180177	94180177
20	Radverbinder	2	70130812	70130812	70130812	70130812
21	Handdruckplatte	6	70130532	70130532	70130532	70130532
22	Bundschraube M6x37mm (o.Abb.)	6	10201209	10201209	10201209	10201209
24	Stopfen für VKT 25mm	2	10100046	10100046	10100046	10100046
25	6kant-Schraube M8x120mm (o.Abb.)	2	10206084	10206084	10206084	10206084
26	6kant-Schraube M8x110mm (o.Abb.)	4	10206081	10206081	10206081	10206081
27	Distanzrohr ø12x1,8x64mm	2	97201453	97201453	97201453	97201453
28	Spreizniet ø6x9,5	4	10418503	10418503	10418503	10418503
29	Schraubenbeutel (o. Abb.)	1	94180338	94180338	94180338	94180338
30	Netzhalter Automatik	2	94110103	94110103	94110103	94110103
31	Netz (kpl.)	1	94180065	94180065	94180065	94180065
32	Spannlasche	2	10128002	10128002	10128002	10128002
33	Netzhalter	2	94111243	94111243	94111243	94111243
34	Stopfen für VKT 20mm	2	10100095	10100095	10100095	10100095
35	Rändelschraube	2	10106000	10106000	10106000	10106000
36	Verbindungsstange	1	94111241	94111241	94111241	94111241
37	Schraubenbeutel für Netzmontage (o. Abb.) mit Stopfen für VKT 20mm	1	94180143	94180143	94180143	94180143







HEINZ KETTLER GmbH & Co. KG · Postfach 1020 · D-59463 Ense-Parsit  
[www.kettler.net](http://www.kettler.net)

## Free Manuals Download Website

<http://myh66.com>

<http://usermanuals.us>

<http://www.somanuals.com>

<http://www.4manuals.cc>

<http://www.manual-lib.com>

<http://www.404manual.com>

<http://www.luxmanual.com>

<http://aubethermostatmanual.com>

Golf course search by state

<http://golfingnear.com>

Email search by domain

<http://emailbydomain.com>

Auto manuals search

<http://auto.somanuals.com>

TV manuals search

<http://tv.somanuals.com>