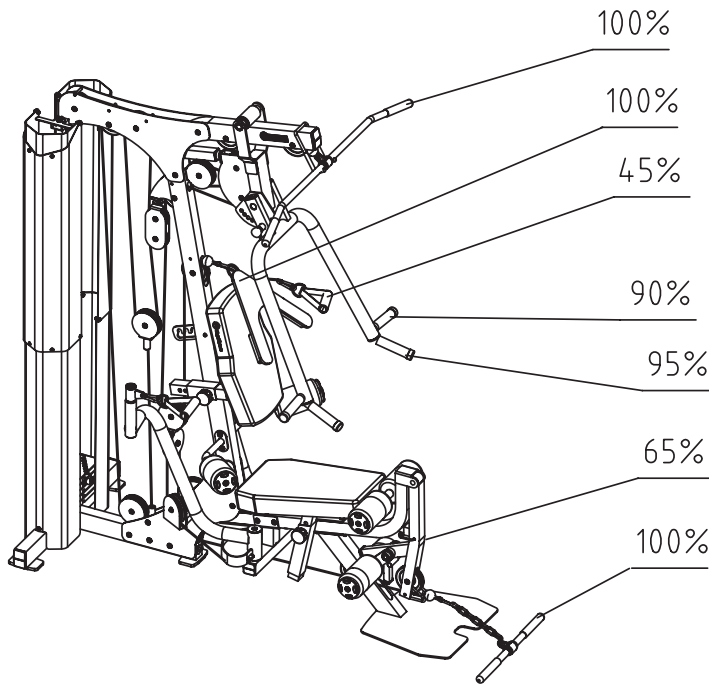


# Weight Ratios



	100%	95%	90%	65%	45%
1	10	9.5	9	6.5	4.5
2	15	14	13.5	10	7
3	20	19	18	13	9
4	25	24	23	16	11
5	30	29	27	20	14
6	35	33	32	23	16
7	45	43	41	29	20
8	55	52	50	36	25
9	65	62	59	42	29
10	75	71	68	49	34
11	85	81	77	55	38
12	95	90	86	62	43
13	105	100	95	68	47
14	115	110	104	75	52
15	125	119	113	81	56
16	140	133	126	91	63
17	155	147	140	101	70
18	170	162	153	111	76
19	185	176	167	120	83
20	200	190	180	130	90

**Based On 200 LB Weight Stack**

KF1860

## Free Manuals Download Website

<http://myh66.com>

<http://usermanuals.us>

<http://www.somanuals.com>

<http://www.4manuals.cc>

<http://www.manual-lib.com>

<http://www.404manual.com>

<http://www.luxmanual.com>

<http://aubethermostatmanual.com>

Golf course search by state

<http://golfingnear.com>

Email search by domain

<http://emailbydomain.com>

Auto manuals search

<http://auto.somanuals.com>

TV manuals search

<http://tv.somanuals.com>