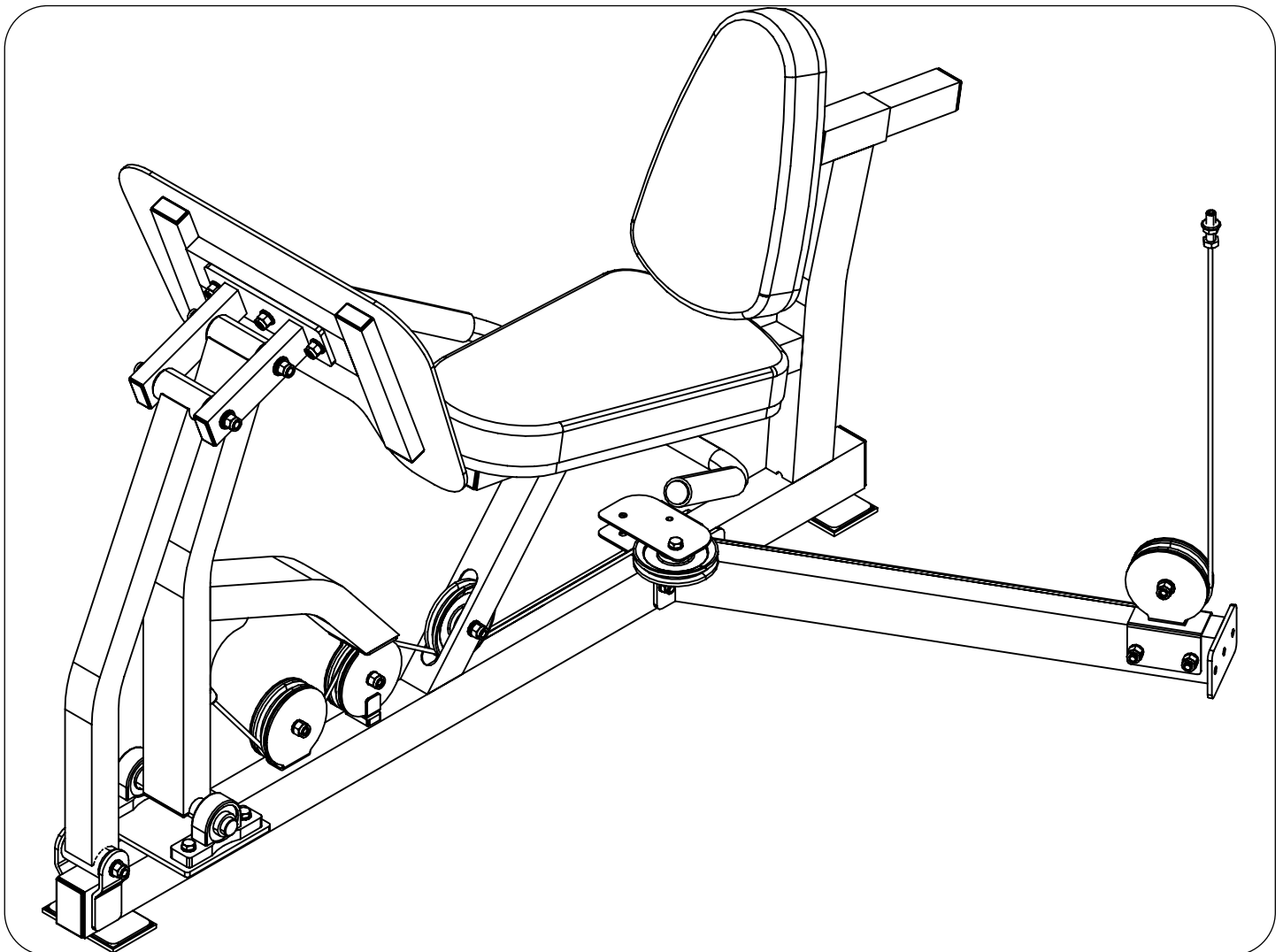




KeysFitness®

KPS-LP2

Owner's Manual



! CAUTION

Read all precautions and instructions in this manual before using this equipment..

215-00007

04/05 Rev B



Important Safety Information	3
Before You Start	4
Assembly	5-11
Weight Ratios	12
Exploded View	13
Parts List	14
Warranty Information	15

THANK YOU for making this Power System unit a part of your exercise program. Keys Fitness and our Power System Series assures the very best in value, appearance, durability and biomechanics.

This manual will guide you through the assembly process. If at any time you are having trouble with the assembly or use of this product, then please contact us at our Keys Fitness Help-line. We have trained service technicians on site to take care of you, our valued customer.

REGISTRATION CARD

To avoid unnecessary delays in warranty parts and to insure that a permanent record of your purchase is on file with our company, be sure to send in the warranty registration card or register on-line at www.keysfitness.com within 10 days of purchase.

POWER SYSTEM SERIES

QUESTIONS?

CALL

1-888-340-0482

Monday-Friday

8:30-5:30 Central Time

When calling please have the following product information available:

- Product Series
- Model #
- PO # (located on the front of the manual)
- Part Number
- Part Description

Important: The LP2 Leg Press must attach to your home gym on the weight stack side of the machine.

Prior to assembly, remove components from the box and verify that all the listed parts were supplied.

NOTE: Hand tighten bolts and nylon nuts until machine is fully assembled.

SAFETY INFORMATION WARNING!

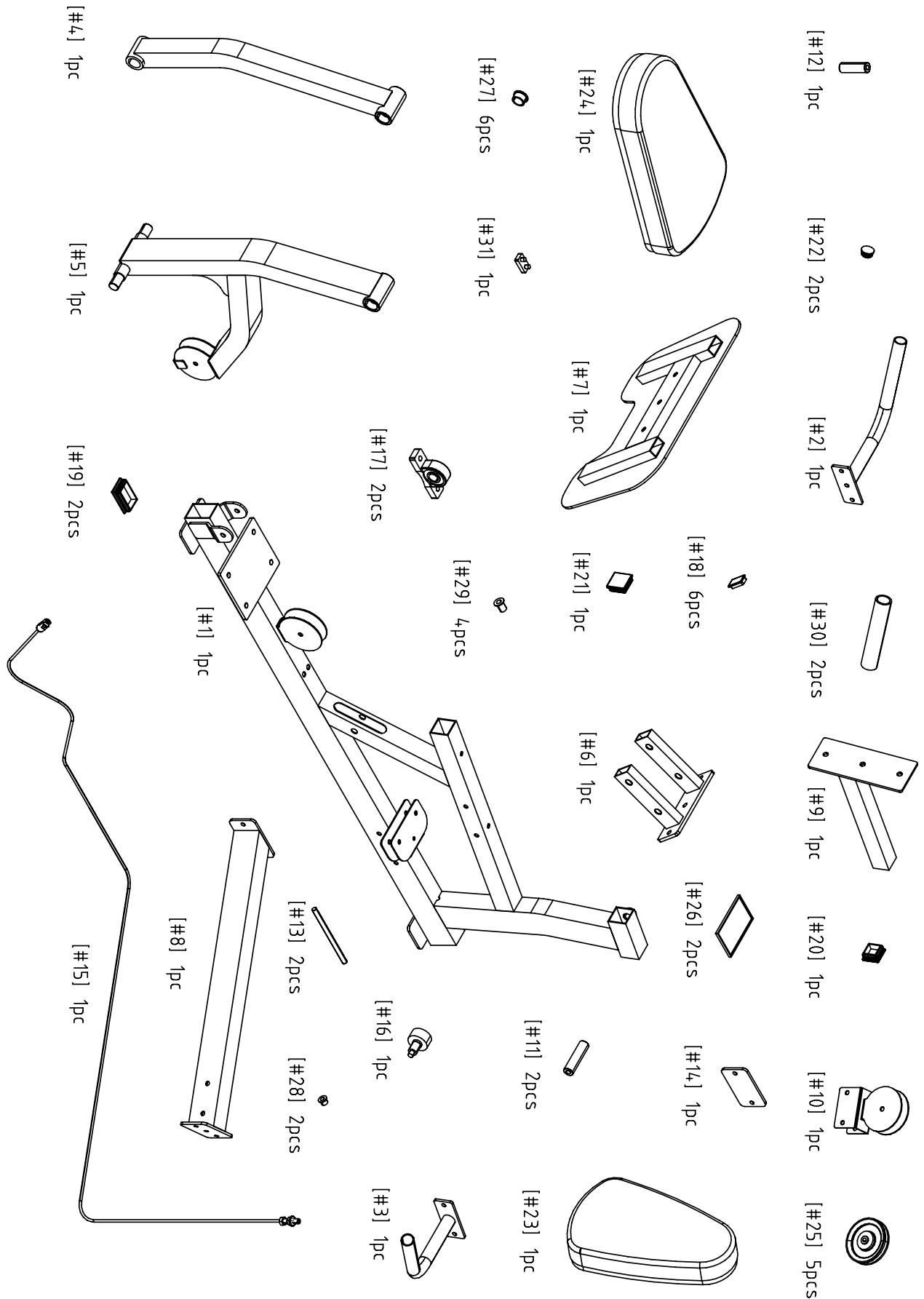
Before using this unit or starting any exercise program, consult your physician. This is especially important for persons over the age of 35 and/or persons with pre-existing health problems. Keys Fitness Products LP assumes no responsibility for personal injury or property damage sustained by or through the use of this product.

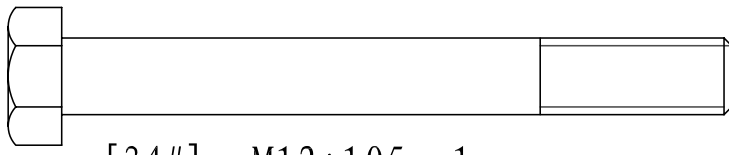
It is the owner's responsibility to ensure that all users of this unit have read the Owner's Manual and are familiar with safety information and precautions.

SAFETY PRECAUTIONS

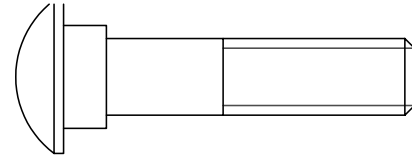
- This Power System unit should only be used on a level surface and is intended for indoor use only. Keys Fitness recommends an equipment mat be placed under the unit to protect the floor or carpet and for easier cleaning.
- Wear comfortable, good-quality walking or running shoes and appropriate clothing. Do not use this unit with bare feet, sandals, socks or stockings!
- Always examine your unit before using to ensure all parts are in working order.
- Do not leave children unsupervised near or on the unit.
- Service to your Power System unit should only be performed by an authorized service representative, unless authorized and/or instructed by a Keys Fitness technician. Failure to follow these instructions will void the warranty.

Assembly

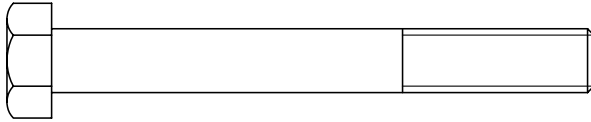




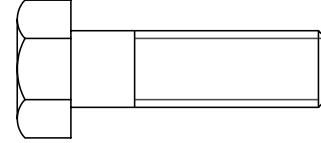
[34#] M12*105 1pc



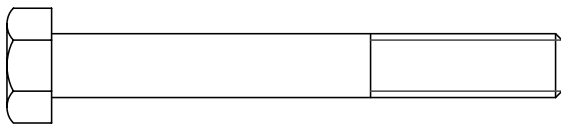
[32#] M12*55 3pc



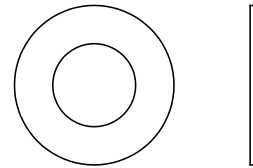
[40#] M10*85 2pcs



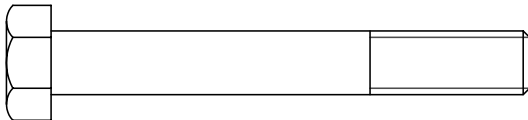
[33#] M12*40 4pc



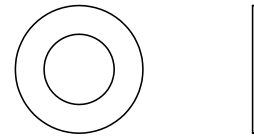
[39#] M10*80 4pcs



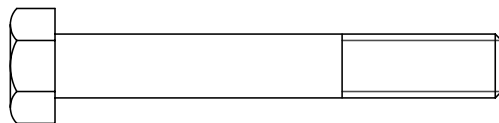
[44#] $\varnothing 24 * \varnothing 13 * 1.5$ 17pcs



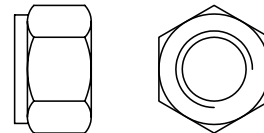
[38#] M10*75 4pcs



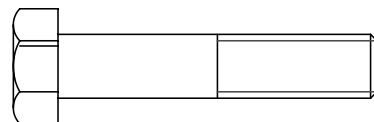
[43#] $\varnothing 20 * \varnothing 11 * 2$ 30pcs



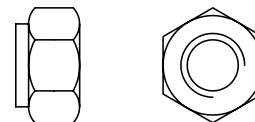
[37#] M10*70 1pc



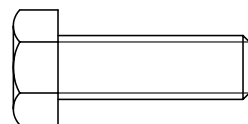
[41#] M12 12pcs



[36#] M10*50 4pcs



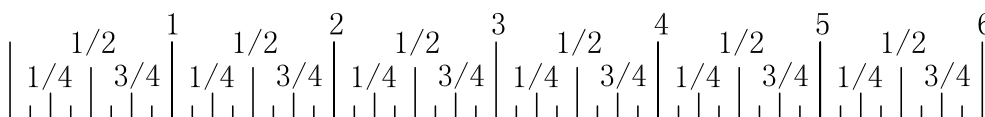
[42#] M10 13pcs



[35#] M10*30 2pcs



Millimeters



Inches

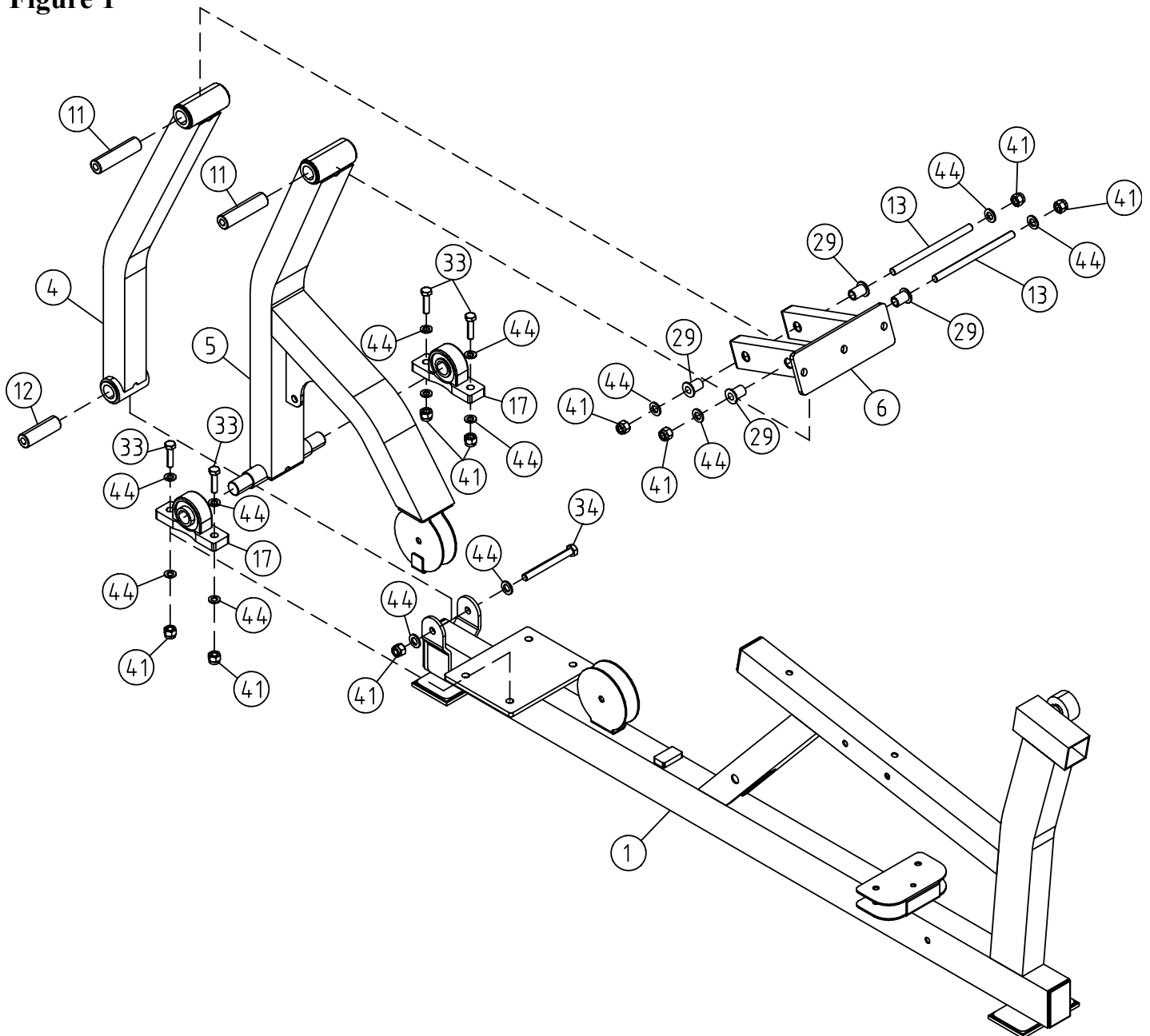
Step 1

Slide one Pillow Block Bearing (17) onto each side of the Back Rocker (5). Use two Bolts (33), four Washers (44), and two Nylon Locknuts (41) to attach each Pillow Block Bearings (17) onto the Main Frame (1).

Slide Short Spacer Tube (12) into the Front Rocker (4). Attach the Front Rocker (4) to the Main Frame (1) using one Bolt (34), two Washers (44), and one Nylon Locknut (41).

Insert Long Spacer Tubes (11) into the top of Front and Back Rocker (4 & 5). Attach the Connect Frame (6) to the top of the Front and Back Rocker (4 & 5). Next, insert two Bushings (29) into each side of the Connect Frame (6). Next, slide both Long Shafts (13) into Connect Frame (6) and secure in place by using four Washers (44) and four Nylon Lock-nuts (41).

Figure 1

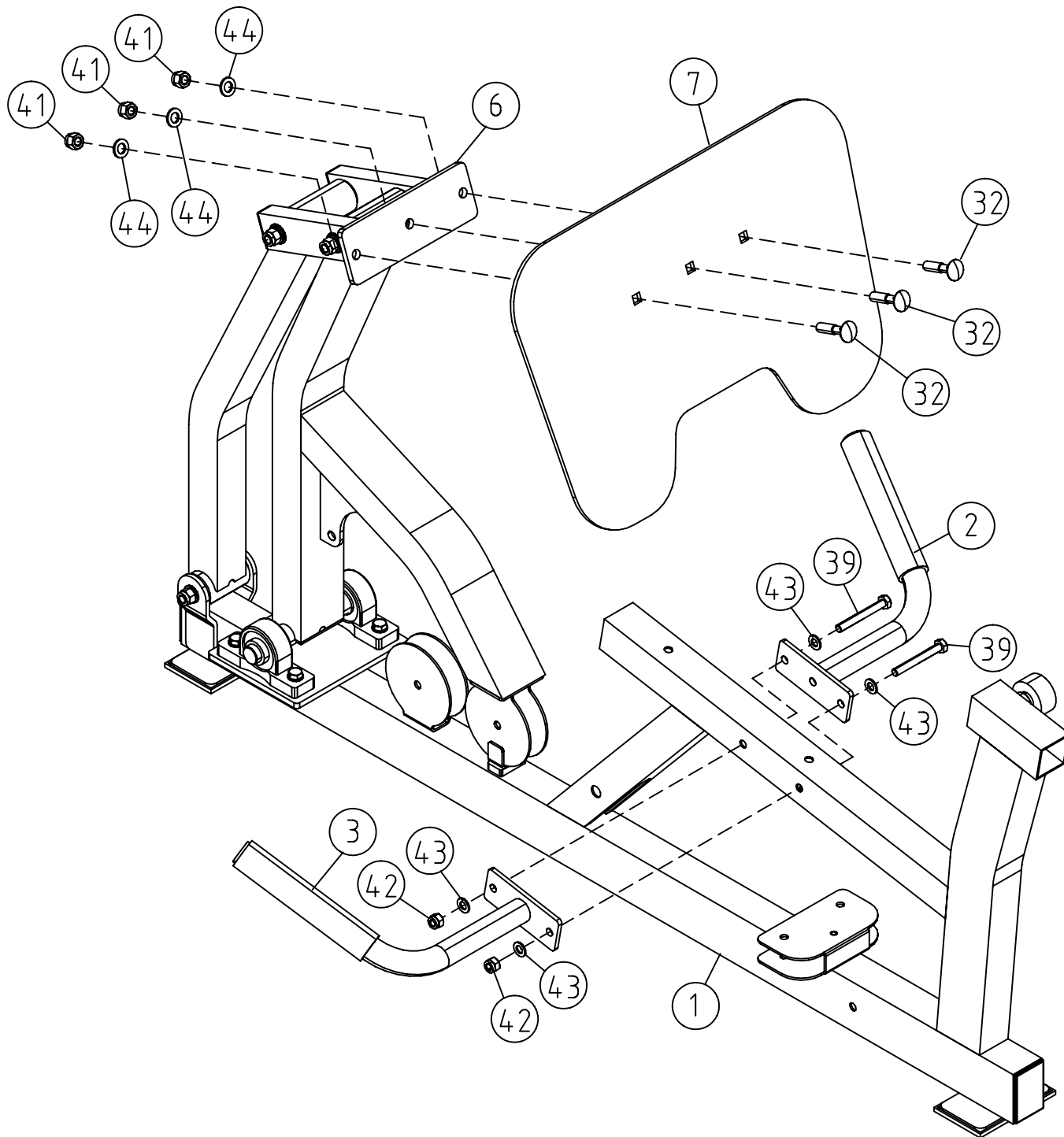


Step 2

Attach Foot Plate (7) to the Connect Frame (6) using three Bolts (32), three Washers (44), and three Nylon Lock-nuts (41).

Attach Right Handle (2) and Left Handle (3) to the Main Frame (1) using two Bolts (39), four Washers (43), and two Nylon Lock-nuts (42).

Figure 2

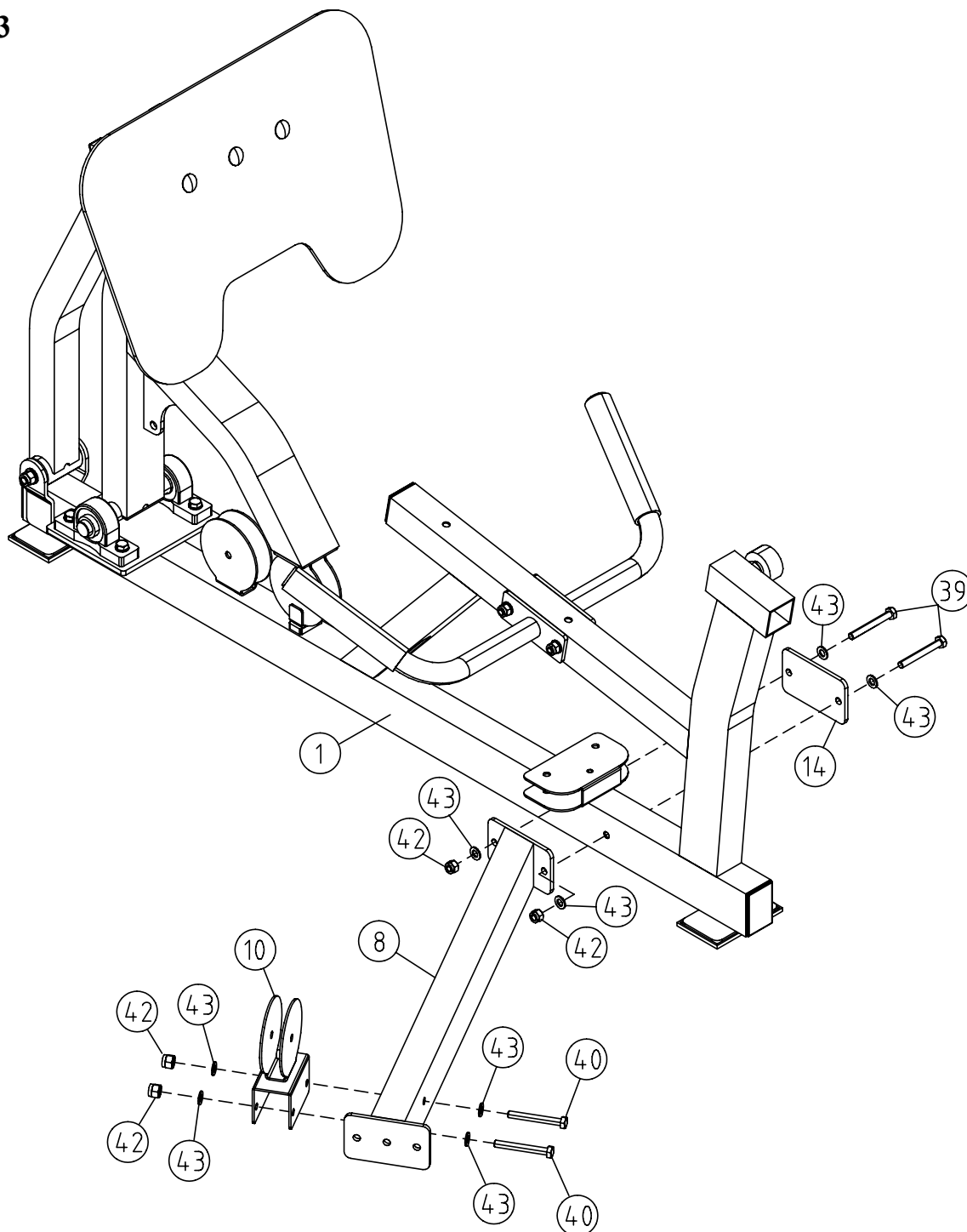


Step 3

Attach Cross Base (8) to Main Frame (1) using Plate (14), two Bolts (39), four Washers (43), and two Nylon Lock-nuts (42).

Slide Pulley Block (10) onto the Cross Base (8) and secure in place using two Bolts (40), four Washers (43), and two Nylon Lock-nuts (42).

Figure 3



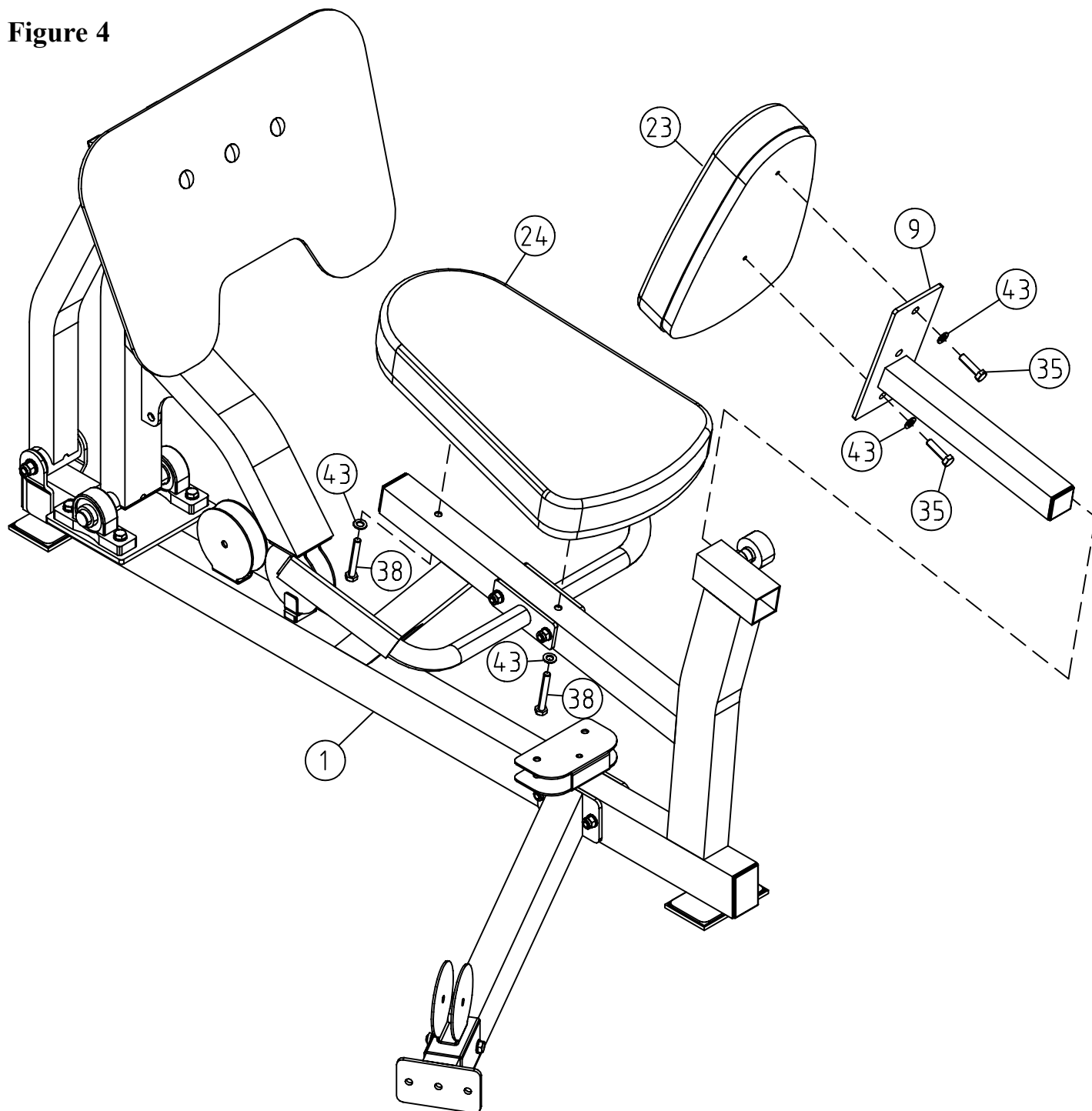
Step 4

Attach Seat Pad (24) to Main Frame (1) using two Bolts (38) and two Washers (43).

Assemble Back Pad (23) to Back Pad Support (9) using two Bolts (35) and two Washers (43).

Slide Back Pad Support assembly to Main Frame (1) and secure using Pop Pin (16).

Figure 4



Step 5

Start by attaching Cable (15) to Main Frame (1). See detail A below.

Insert cable into Pulley A location and then attach Pulley A to Main Frame (1) using one Bolt (36), two Washers (43), and one Nylon Locknut (42).

Note: Make sure cable is running through the groove of each pulley.

Note: All pulleys use the same hardware to attach to Main Frame (1).

Attach Pulley B to Main Frame (1) and then run cable over top of the pulley.

Run cable through slot in Main Frame (1) at Pulley C location.

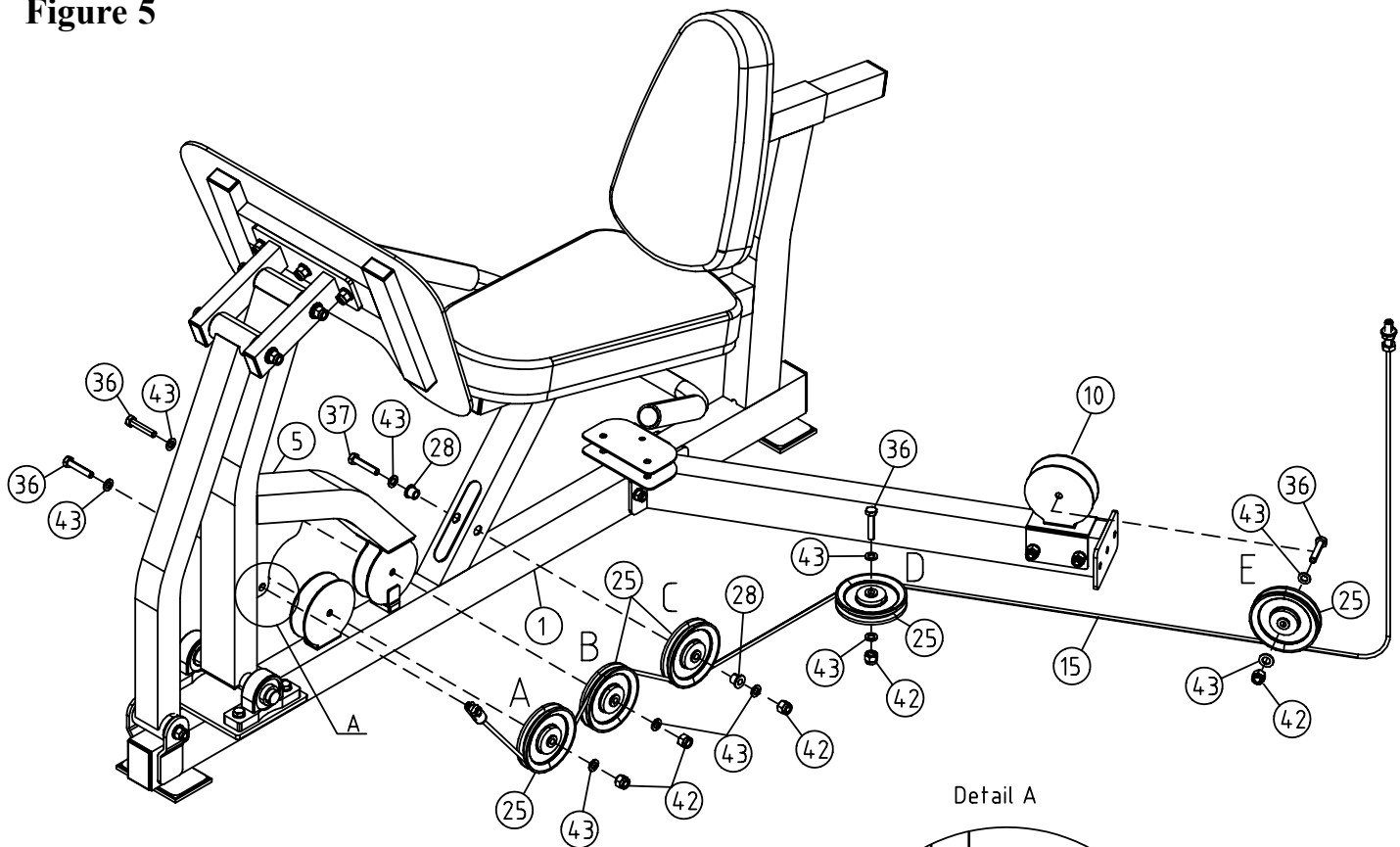
Insert Pulley C into Main Frame (1), insure cable runs through bottom side of pulley.

Run cable through Pulley D location and then install Pulley D onto Main Frame (1).

Run cable through Pulley E location and then install Pulley E onto Main Frame (1).

Last, thread cable end into the floating pulley of home gym unit.

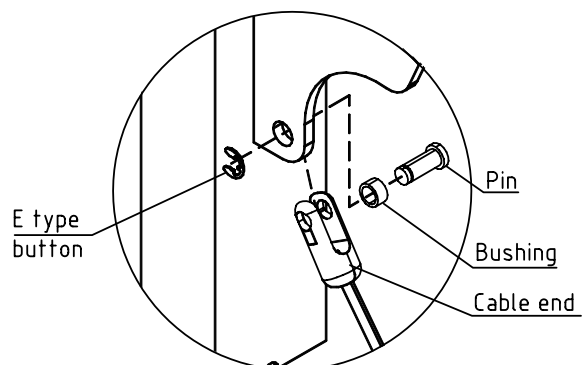
Figure 5



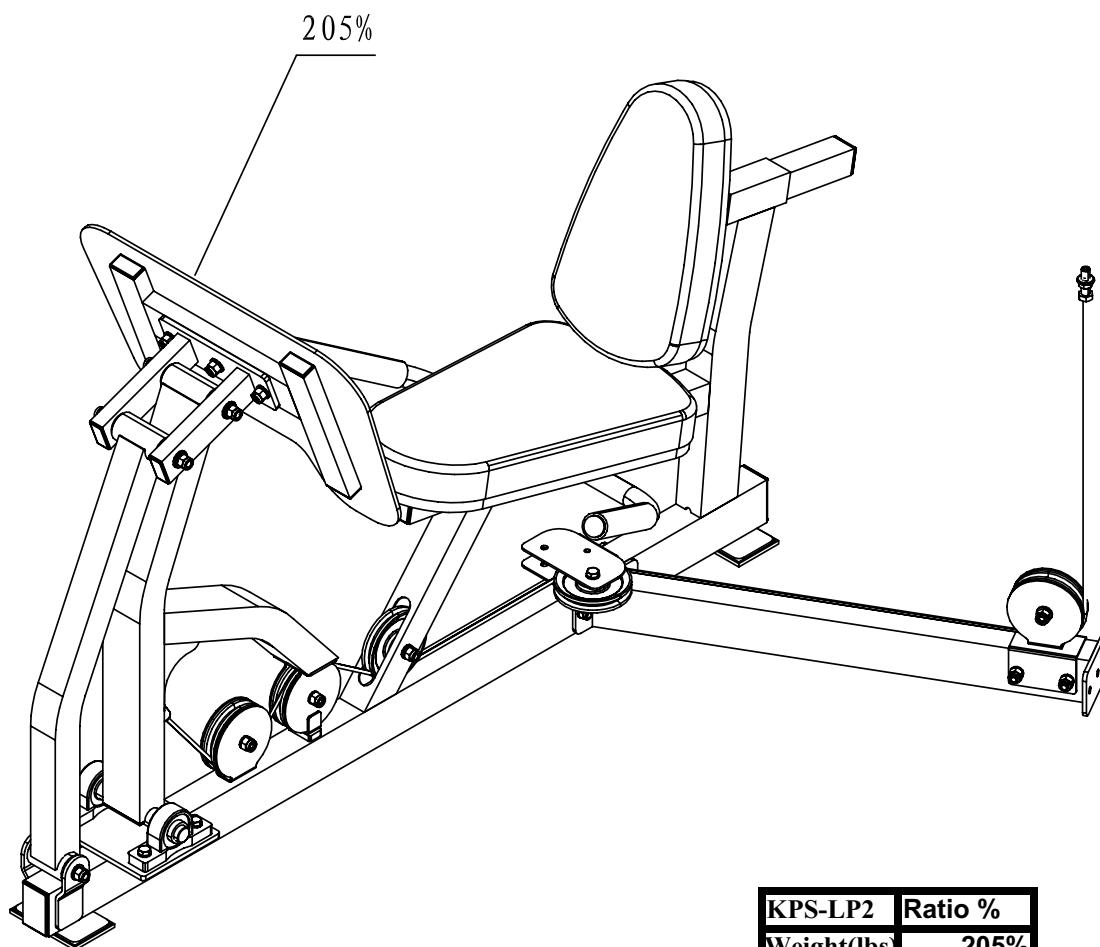
Detail A

Note: Tighten all hardware securely.

Congratulations!
You have completed the assembly
of your new KPS-LP2.

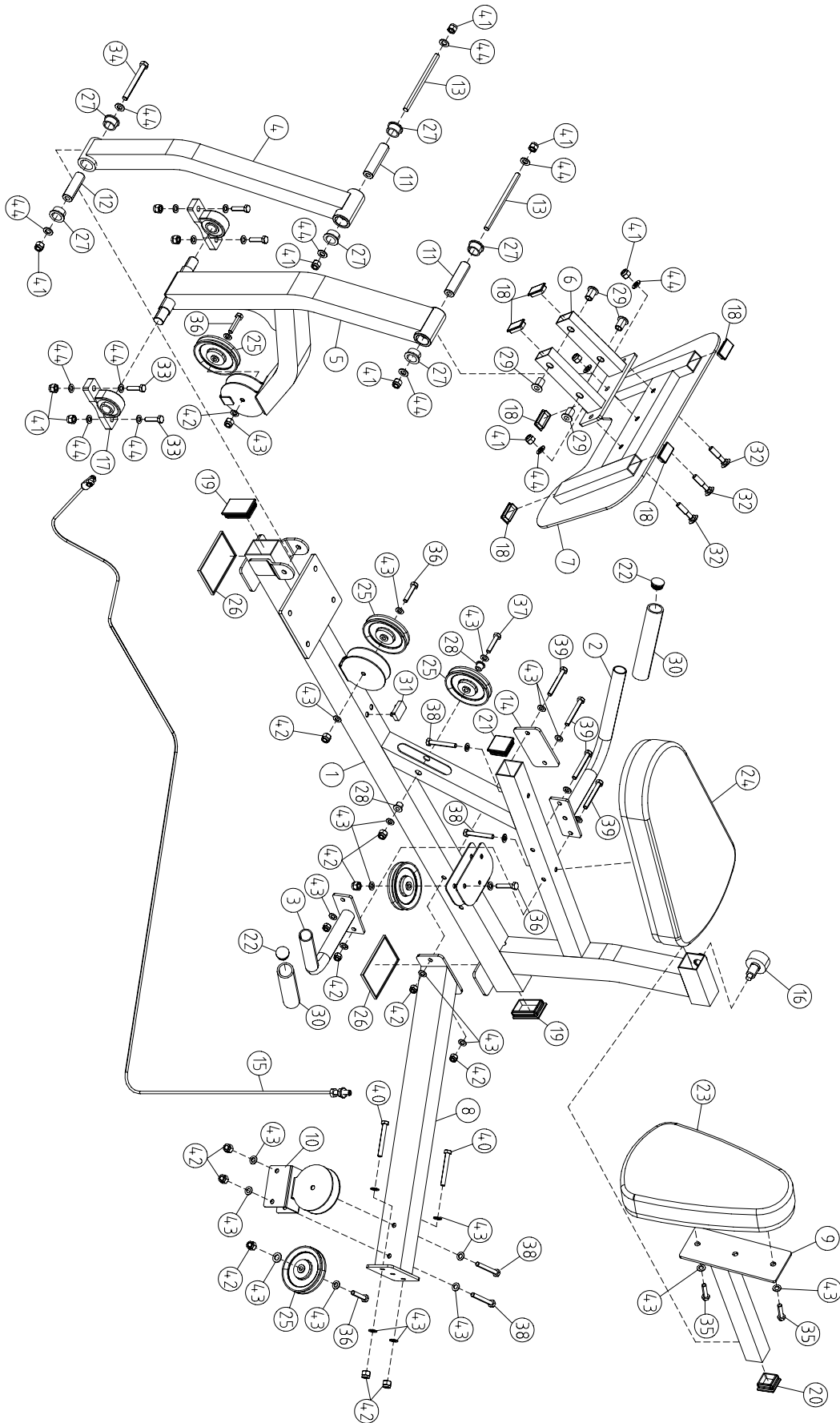


Weight Ratios



KPS-LP2	Ratio %
Weight(lbs)	205%
10	20.5
15	30.75
20	41
25	51.25
30	61.5
35	71.75
45	92.25
55	112.75
65	133.25
75	153.75
85	174.25
95	194.75
105	215.25
115	235.75
125	256.25
140	287
155	317.75
170	348.5
185	379.25
200	410

Exploded View



KPS-LP2 Parts List

REF#	KEYS PART#	DESCRIPTION	QTY.
1	223-00249	Main Frame	1
2	219-00280	Right Handle	1
3	219-00285	Left Handle	1
4	223-00250	Front Rocker	1
5	223-00251	Back Rocker	1
6	219-00282	Connect Frame	1
7	223-00252	Footplate	1
8	223-00253	Cross Base	1
9	219-00283	Back Pad Support	1
10	219-00284	Pulley Block	1
11	210-00062	Long Spacer Tube	2
12	210-00063	Short Spacer Tube	1
13	230-00020	Long Shaft	2
14	210-00064	Plate	1
15	229-00052	Cable	1
16	210-00068	Pop Pin	1
17	210-00069	Pillow Block Bearing	2
18	206-00139	Square Plug 50*25	6
19	206-00001	Square Plug 76.2*50.8	2
20	206-00020	Square Plug 44.5	1
21	206-00140	Square Plug 50.8	1
22	206-00102	Round Plug 32	2
23	228-00086	Back Pad	1
24	228-00087	Seat Pad	1
25	223-00228	4.5"Pulley	5
26	206-00144	Base Cushion	2
27	202-00023	Bronze Bushing	6
28	202-00025	Pulley Spacer	2
29	202-00148	Iron Bushing	4
30	206-00145	Foam	2
31	206-00149	Rubber Cushion	1
32	202-00150	Bolt M12x55	3
33	202-00151	Bolt M12x40	4
34	202-00152	Bolt M12x105	1
35	202-00124	Bolt M10x30	2
36	202-00085	Bolt M10x50	4
37	202-00083	Bolt M10x70	1
38	202-00081	Bolt M10x75	4
39	202-00082	Bolt M10x80	4
40	202-00080	Bolt M10x85	2
41	202-00092	Nylon Locknut M12	12
42	202-00091	Nylon Locknut M10	13
43	202-00128	Washer 11*20*2	30
44	202-00127	Washer 13*24*1.5	17
45	202-00153	Allen Wrench S=3	1

Warranty Information



KEYS FITNESS PRODUCTS, L.P. POWER SYSTEM SERIES LIFETIME WARRANTY



This Warranty applies in the United States and Canada to products manufactured or distributed by Keys Fitness Products, LP ("Keys") under the KEYS brand name. The warranty is non-transferable and valid only to the original purchaser.

Keys warrants that the Product you have purchased for non-commercial, personal, family, or household use from Keys or from an authorized Keys reseller is free from defects in materials or workmanship under normal use during the warranty period. Your sales receipt, showing the date of purchase of the Product, is your proof of purchase. This warranty only extends to you, the original purchaser. It is not transferable to anyone who subsequently purchases or acquires the Product from you. This Warranty becomes VALID ONLY if the product is purchased through a Keys Fitness authorized dealer unless otherwise authorized by Keys Fitness in writing and must be assembled / installed according to the instructions included with the Product.

In a light institutional setting, Keys will extend a one year limited warranty to the the original purchaser.

During the warranty period Keys will repair or replace (at Keys' option) the product if it becomes defective, malfunctions, or otherwise fails to conform with this Warranty under normal use. In repairing the Product, Keys may replace defective parts with new or, at the option of Keys, serviceable used parts that are equivalent to new parts in performance. All exchanged parts and Products replaced under this warranty will become the property of Keys. Keys reserves the right to change manufacturers of any part to cover any existing warranty.

This warranty DOES NOT COVER shipping charges, export taxes, custom duties and taxes, or any other charges associated with transportation of the parts or Product. To obtain warranty service, you must contact a Keys authorized retailer, service technician or Keys Fitness at our phone number located in this manual. Any parts determined to be defective must be returned to Keys to obtain warranty service. You must prepay any shipping charges, export taxes, custom duties and taxes, or any other charges associated with transportation of the parts or Product. In addition, you are responsible for insuring any parts or Product shipped or returned. You assume the risk of loss during shipment. You must present Keys with proof-of-purchase documents (including the date of purchase). Any evidence of alteration, erasure or forgery of proof-of-purchase documents will be cause to void this Warranty.

This Warranty does not extend to any product not purchased from Keys or from an authorized Keys reseller. This Limited Warranty does not extend to any Product that has been damaged or rendered defective; (a) as a result of accident, misuse, or abuse; (b) by the use of parts not manufactured or sold by Keys; (c) by modification of the Product (d) normal wear and tear; (e) operation on incorrect power supplies; or (f) as a result of service by anyone other than Keys, or an authorized Keys warranty service provider. Product on which the serial number has been defaced or removed is not eligible for warranty service. Should any Product submitted for warranty service be found ineligible, an estimate of repair cost will be furnished and the repair will be made if requested by you upon Keys' receipt of payment or acceptable arrangements for payment.

EXCEPT AS EXPRESSLY SET FORTH IN THIS WARRANTY, KEYS MAKES NO OTHER WARRANTIES, EXPRESSED OR IMPLIED, INCLUDING ANY IMPLIED WARRANTIES OF MERCHANTABILITY AND FITNESS FOR A PARTICULAR PURPOSE. KEYS EXPRESSLY DISCLAIMS ALL WARRANTIES NOT STATED IN THIS LIMITED WARRANTY. ANY IMPLIED WARRANTIES THAT MAY BE IMPOSED BY LAW ARE LIMITED TO THE TERMS OF THIS LIMITED WARRANTY. NEITHER KEYS NOR ANY OF ITS AFFILIATES SHALL BE RESPONSIBLE FOR INCIDENTAL OR CONSEQUENTIAL DAMAGES. SOME STATES DO NOT ALLOW LIMITATIONS ON HOW LONG AN IMPLIED WARRANTY LASTS OR THE EXCLUSION OR LIMITATION OF INCIDENTAL OR CONSEQUENTIAL DAMAGES, SO THE ABOVE LIMITATIONS OR EXCLUSION MAY NOT APPLY TO YOU. This Limited Warranty gives you specific legal rights and you may also have other rights that may vary from state to state. This is the only express warranty applicable to Keys-branded products. Keys neither assumes nor authorizes anyone to assume for it any other express warranty.

PLEASE SEND IN THE INCLUDED WARRANTY CARD OR REGISTER ON-LINE AT www.keysfitness.com WITHIN TEN (10) DAYS OF PURCHASE TO REGISTER YOUR UNIT WITH KEYS FITNESS PRODUCTS, LP. MAIL WARRANTY CARD TO: KEYS FITNESS PRODUCTS, PO BOX 551239, DALLAS, TX 75355



**Customer Service
1.888.340.0482**

**Keys Fitness
4009 Distribution Drive
Suite 250
Garland, TX 75041**

www.keysfitness.com

Free Manuals Download Website

<http://myh66.com>

<http://usermanuals.us>

<http://www.somanuals.com>

<http://www.4manuals.cc>

<http://www.manual-lib.com>

<http://www.404manual.com>

<http://www.luxmanual.com>

<http://aubethermostatmanual.com>

Golf course search by state

<http://golfingnear.com>

Email search by domain

<http://emailbydomain.com>

Auto manuals search

<http://auto.somanuals.com>

TV manuals search

<http://tv.somanuals.com>