

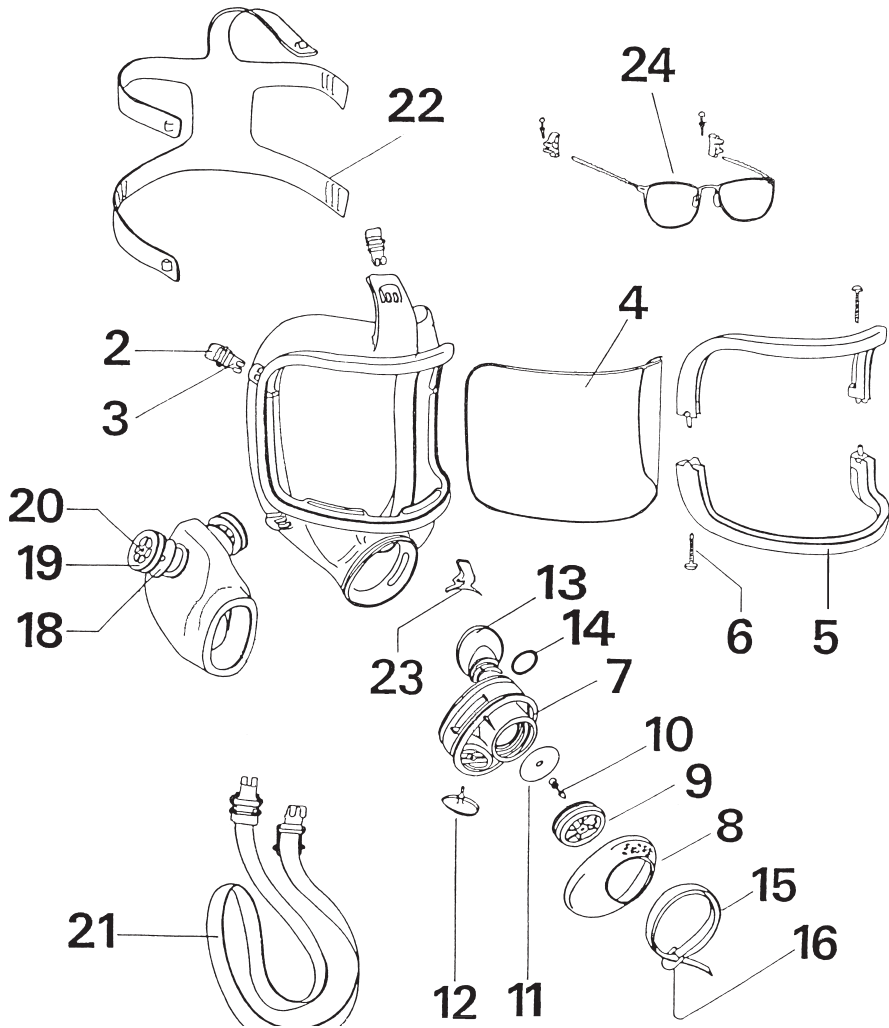
SEA

Full Face Mask



Ref. No. 009775
Edition C April 2002
9000422 E





User Instructions

SEA FULL FACE MASK

SEA Full Face Mask, Natural Rubber	Model No. FN
SEA Full Face Mask, Silicone Rubber	Model No. FS
SEA Full Face Mask, Chloroprene Rubber	Model No. FC
SEA Full Face Mask Procomp	Model No. FP

1. General

The SEA full face mask is a panorama full view mask. It is designed to protect the respiratory system and face against hazardous gases and particles and to maintain a wide field of vision. The mask is used as a filtering device together with gas, particle or combined filters (threaded filters) as well as with portable and hose-fitted constructions. The mask has a speech diaphragm made of plastic film with minimal sound absorption. The SEA full face mask conforms to EN 136 in Europe and AS1716 in Australia.

Respiratory filters may be of one of two types:

- Threaded filters conforming to EN 148-1.
- Clip-in filters, to be fitted to the filter adaptor supplied with the mask, which is then screwed into the mask.

2. Limitations of use

- 2.1 The filtering device must not be used if the environment and contamination are unknown. In case of doubt, self-contained respirators which function independently of the atmosphere must be used.
- 2.2 The filtering device must not be used in restricted spaces (e.g. cisterns, tunnels) because of oxygen deficiency or presence of heavy oxygen-displacing gases (e.g. carbon dioxide).
- 2.3 The filtering device may be used only if the oxygen content of the air is 18 - 23 vol.% (minimum USA 19,5%). An oxygen analysis instrument is recommended for measuring the oxygen content.
- 2.4 Gas filters do not protect against particles. Similarly, particle filters do not provide protection against gases or vapours. In case of doubt, use combined filters.
- 2.5 Normal filtering devices do not protect against certain gases such as CO (carbon monoxide), CO₂ (carbon dioxide) and N₂ (nitrogen).
- 2.6 SEA recommends that filters be changed after single use if they have been used against radioactive agents, micro-organisms (virus, bacteria, fungi and spores) or enzymes.
- 2.7 It is likely that adequate protection cannot be guaranteed if the sealing edge of the mask is obstructed by the user's beard, hair or spectacle frames. With the SEA full face mask one can use special spectacles (see spare part FSF-T).
- 2.8 When a breathing protector is used in explosive atmospheres, please follow the instructions given for such areas.
- 2.9 The weight of filter used with a full face mask shall not exceed 500 g.
- 2.10 Gas filters shall be replaced when the user begins to sense odour, taste or irritation. Filters used against detrimental gases that do not display any significant indications, require special regulations for the duration of use and correct usage.



3. Selection of breathing protector equipped with filter – Applies to NON-USA users

Type of protective device	Multiples of threshold concentration	Remarks, limitations
Full face mask with particle filter P2	15	Particles, excluding radioactive substances, bacteria, fungi, viruses and enzymes
Full face mask with particle filter P3	400	Particles
Full face mask with gas filter *)	400	Filter types A, B, E, K, AX, SX, Hg-P3 and NO-P3 have different applications. For more information, see User Instructions of SEA threaded filters.
Full face mask with combined filter	The specified multiples of threshold value for the gas or particle filters are given separately, but in all cases the lowest value applies	

*) Provided that the maximum permissible detrimental gas concentration for the gas filter is not exceeded. For non-powered filtering devices with gas filter, concentration must not exceed 0.1 vol.% in gas filter class 1 and 0.5 vol.% in gas filter class 2 and 1.0 vol.% in gas filter class 3.

4. Preparations for use, and Donning

4.1 Before use, check the following:

- facepiece condition and intactness
- intactness of rubber parts
- head harness condition and elasticity
- visor condition and cleanliness
- that speech diaphragm is in place
- that exhalation valve is in place and exh. valve cover is properly fastened
- that inh. and exh. valves function properly
- that the filter is correct for the intended use. Filter type and class are evident from the marking.
- storage period of the filter.

4.2 Screw the filter tightly in the connector of the mask (=inhalation valve body) (fig. 1).

4.3 When needed, connect the spectacles to the inner mask and adjust their position (see instructions provided with the spectacle frame).

4.4 Loosen the head harness.

4.5 A sweat band is recommended to control excessive hair (fig. 2).

4.6 Don the facepiece by placing first the jaw end on your face, then pull the head harness over the head (fig. 3).

4.7 Adjust the head harness evenly (straps in the order 1-2-3) so that the cradle lies centered on the back of the head (fig. 4).

4.8 Check the tightness of the mask by closing the exhalation opening with your hand. Exhale to create overpressure. If you fail to get overpressure (=potential leakage), tighten the head harness and the filter. Alternatively, close the filter opening and inhale to make the mask press onto your face (fig. 5).

4.9 After use the mask must be maintained as instructed in the Service Table.

Fig. 1



Fig. 2



Fig. 3



Fig. 4



Fig. 5



5. Maintenance and storage

5.1 Test for function and leak-tightness

If components have been replaced (visor, valve discs or speech diaphragm), a test for function and leak-tightness must be carried out with an appropriate test device (e.g. Pro-Tester). The test is also done in case of a mask stored unused for a longer period, and at least once a year. Check also that the faceblank has maintained its shape, the head harness is reasonably elastic, the visor and the sealing edge are undamaged, and that the valve discs and the speech diaphragm's O-ring are good and well in position. Damage must be repaired.

5.2 Replacing the visor

The visor material code is found in the right upper corner of the visor. Replace visor if damaged, dirty or scratched.

Material codes:

F polycarbonate
() triplex (chemical resistant laminated glass)

- Unscrew the screws (crosshead Phillips), loosen the visor frames, and remove the visor (fig. 6).
- Place a new visor in the faceblank (see the marking "up/down" on the visor). Align the check marks of the visor and faceblank with each other (fig. 7).
- Press the upper frame into place (fig. 8).
- Bend the mask at the connector to give space for the lower frame under the connector support piece (fig. 9). Tighten the two screws.
- Carry out the leak-tightness test (point 5.1).



Fig. 6



Fig. 7



Fig. 8



Fig. 9

5.3 Replacing the exhalation valve disc

- Pull out the connector lid (fig. 10).
- Separate the exh. valve disc (grey) from the exh. valve body (pinch on the edge of the disc) (fig. 11).
- Replace the disc. Pull the disc tail through the central hole (fig. 12) to the inner side of the mask to secure a good fit.



Fig. 10



Fig. 11



Fig. 12



5.4 Replacing the inhalation valve discs

- Remove the connector lid.
- Remove the rubber inhalation valve seat (by pulling from the tip) (fig. 13).
- Remove the inh. valve disc (fig. 14) and replace it.
- Put the valve seat back to the bottom of the valve body. Do not press too tight (the disc comes immobilised) because the disc must be free to move.
- The valve discs of the inner mask (fig. 15) are replaced similarly. Make sure that the rubber edge of the inner mask comes in the valve seat groove.



Fig. 13



Fig. 14



Fig. 15

5.5 Replacing the speech diaphragm

- Bend the head harness over the visor (fig. 16).
- Fold the jaw cup inside out, towards yourself (fig. 17).
- Remove the speech diaphragm (fig. 18).
- To make assembly easier, moisten the O-ring with water. Position the tip of the speech diaphragm into the notch of the connector (fig. 19-20) to prevent any leakage. Press the speech diaphragm into place (fig. 21).
- Fold back the jaw cup (fig. 22).



Fig. 16



Fig. 17



Fig. 18



Fig. 19

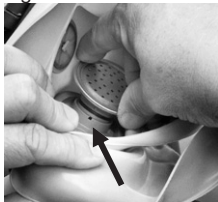


Fig. 20



Fig. 21



Fig. 22

5.6 Replacing the head harness



Fig. 23

Thread the rubber bands through the buckles (fig. 23).

5.7 Cleaning

Remove the filter, exhalation valve, inhalation valves, spectacle frame and speech diaphragm. Clean the facepiece and the components with lukewarm water and mild detergent (neutral, pH 6-8) (e.g. washing-up liquid). A brush can be used for stubborn dirt. Do not use solvents (e.g. acetone, turpentine), hot water or bleaching agents (perborate, percarbonate).

5.8 Disinfection

After cleaning, disinfect the mask with a disinfection solution and let it dry for a while. Finally, reassemble the mask. See Service Table.

5.11 Storage

The mask should be stored carefully cleaned, disinfected and ready for use. Keep the mask protected from direct sunlight, grease and oil. The store should be dry and cool.

A properly stored, unused mask stays in good condition for a long storage period. The components should not be more than 10 years old. Before use, the mask must undergo a function test, see Service Table.

Service Table

Component	Work to be done	Intervals				
		Before use	After use	Every year	Every 2 years	Every 6 years
Mask, complete	Cleaning		■	■		
	Disinfection		■	■		
	Test for function and leak-tightness/Pro-Tester (point 5.1)	■	■*)	■		
	Pre-use check done by the user, according to point 4.1	■				
	Replace visor, head harness and other parts		■*)			
Inh. and exh. valve discs (11, 12, 18)	Check discs		■	■		
	Replace discs		■*)			■
	Check tightness of exh. valve disc/Pro-Tester		■	■		
Connector of the mask (7)	Check inh. valve seat (9)		■	■		
	Verify body inner thread (with gauge)					■
Speech diaphragm (13, 14)	Check		■	■		
	Replace					■

*) when needed

6. Spare parts

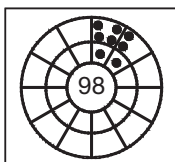
Item	Description	Part number	Comments
1	Faceblank	-	New mask
2 & 3	Buckle with retainer	FF-B	-
4	Visor options: Polycarbonate (standard) Hard coated polycarbonate Laminated triplex glass	VP VHC VLG	- - -
5 & 6	Visor frame assembly with screws	FV	-
7	Connector	-	To be assessed by SEA *)
8	Exhalation valve cover	FF-EVC	-
9	Inhalation valve seat	FF-IVS	-
10	Rivet for inhalation valve	FF-IVR	-
13 & 14	Speech diaphragm with o-ring	FF-SD	-
15 & 16	Steel band and buckle	-	To be assessed by SEA *)
17	Inner mask	-	To be assessed by SEA *)
11, 12, 18	Valve set, including: Qty 2 inner mask valves Qty 1 inhalation valve Qty 1 exhalation valve	FF-V	-
19 & 20	Inner mask valve seat with rivet	FF-IMVS	-
21	Neck strap assy	FF-NS	-
22	Head harness natural rubber or Head harness silicone rubber	FHN FHS	- -
23	Support for connector	-	To be assessed by SEA *)
24	Spectacle frame with fasteners	FSF-T	-
-	Visor cover (protective film) (10 per pack)	VC	-

*) Assessments require the entire mask to be sent to SEA to decide whether the mask is able to be repaired.

A Product Maintenance Agreement is available from SEA which covers servicing of the product. For more details contact SEA.

7. Year of manufacture

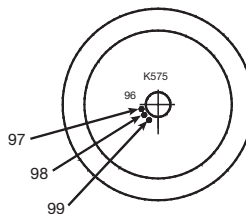
In the head harness, and the facepiece (inner side of the facepiece; on the left).



Outer circle **quarter-of-year circle**
Inner circle **year circle**

Example: 1999, April-June

In the exhalation valve disc



Example: 1999







Safety Equipment Australia Pty Ltd

A.C.N.: 002 727 586

North Shore Business Park
35/1 Jubilee Avenue, Warriewood NSW 2102, Australia
Mail: Private Bag, Mona Vale NSW 2103, Australia
Telephone: [+61] (0)2 9910 7500 — Fax: [+61] (0)2 9979 5364
Email: seansw@sea.com.au

Safety Equipment Europe AB

Org. Nr.: 556518-3711

Storgatan 64, S-331 31 Värnamo, Sweden
Telephone: [+46] (0)370 69 34 40 — Fax: [+46] (0)320 179 79
Email: seesales@sea.com.au

Safety Equipment America, Inc.

11 Business Park Drive

Branford, CT 06405, USA

Telephone: [+1] (203) 483 9483 — Fax: [+1] (203) 483 6633
TollFree (USA and Canada only): 1888-732-3500
Email: bengtk@sea.com.au

Waasa Graphics Oy 2002



Free Manuals Download Website

<http://myh66.com>

<http://usermanuals.us>

<http://www.somanuals.com>

<http://www.4manuals.cc>

<http://www.manual-lib.com>

<http://www.404manual.com>

<http://www.luxmanual.com>

<http://aubethermostatmanual.com>

Golf course search by state

<http://golfingnear.com>

Email search by domain

<http://emailbydomain.com>

Auto manuals search

<http://auto.somanuals.com>

TV manuals search

<http://tv.somanuals.com>